

- ⑤ The following symbol classifies parts to be used for machines.
- ` * ` means standard parts.
 - ` T ` shows that the parts can be installed as optional parts.
 - ` R ` shows that the parts can be used as applicable parts to replace originally equipped parts.
- ⑥ Serial number : upper row shows the serial number for the first product and lower row for the last product.
- Example : Serial no. 1 through to serial no. 1999.
- ⑦ ITC : Interchangeability
- ` 1 ` ... OLD ← NEW
New parts can be used in place of the old parts.
 - ` 2 ` ... OLD → NEW
Old parts can be used in place of the new parts.
 - ` 3 ` ... OLD →← NEW
Old parts and new parts can not be replaced each other.
- ⑧ COL : Color code
- Color is signified with color code number for colored parts.
Please see the color list shown in the next page.
- ⑨ GRP : Parts shown in this column can be replaced by SET parts.
- Exsample : Parts marked Ⓐ can be replaced by parts marked Ⓑ, and Ⓓ for Ⓒ, so the rest follow in the same alphabetical order.
- ⑩ Remarks
- * Other maker's part code number is shown in this column.
 - * When Fig. No. is shown in the Remark column of SET parts or ASSY parts, each of their component parts are listed in said Fig. No.

3. Color :

The following colors are used for color parts.

COLOR CODE	COLOR	SPRAY TYPE CODE NUMBER	PAINTS 4K DRUM	PAINTS 16 K DRUM
4 G	CRYSTAL BLUE	1300-957-001-10	1300-957-003-00	1300-957-004-00
5 I	SUNSET GRAY	1300-959-001-10	1300-959-003-00	1300-959-004-00
6 G	SUMMER WHITE	1300-958-001-10	1300-958-003-00	1300-958-004-00
7 F	MIRROR BLACK	1300-954-001-10	1300-954-003-00	1300-954-004-00
8 E	SILVER MIST	1300-968-001-10	1300-968-003-00	1300-968-004-00

NOTE : Color code is signified only for the parts assigned by the maker as color parts.

4. Serial Numbers:

- 1) For engines serial number is stamped on CYLINDER BLOCK ASSY.

Please see Fig.No. 5 - 1.

- 2) For chassies serial number is shown on the LABEL.

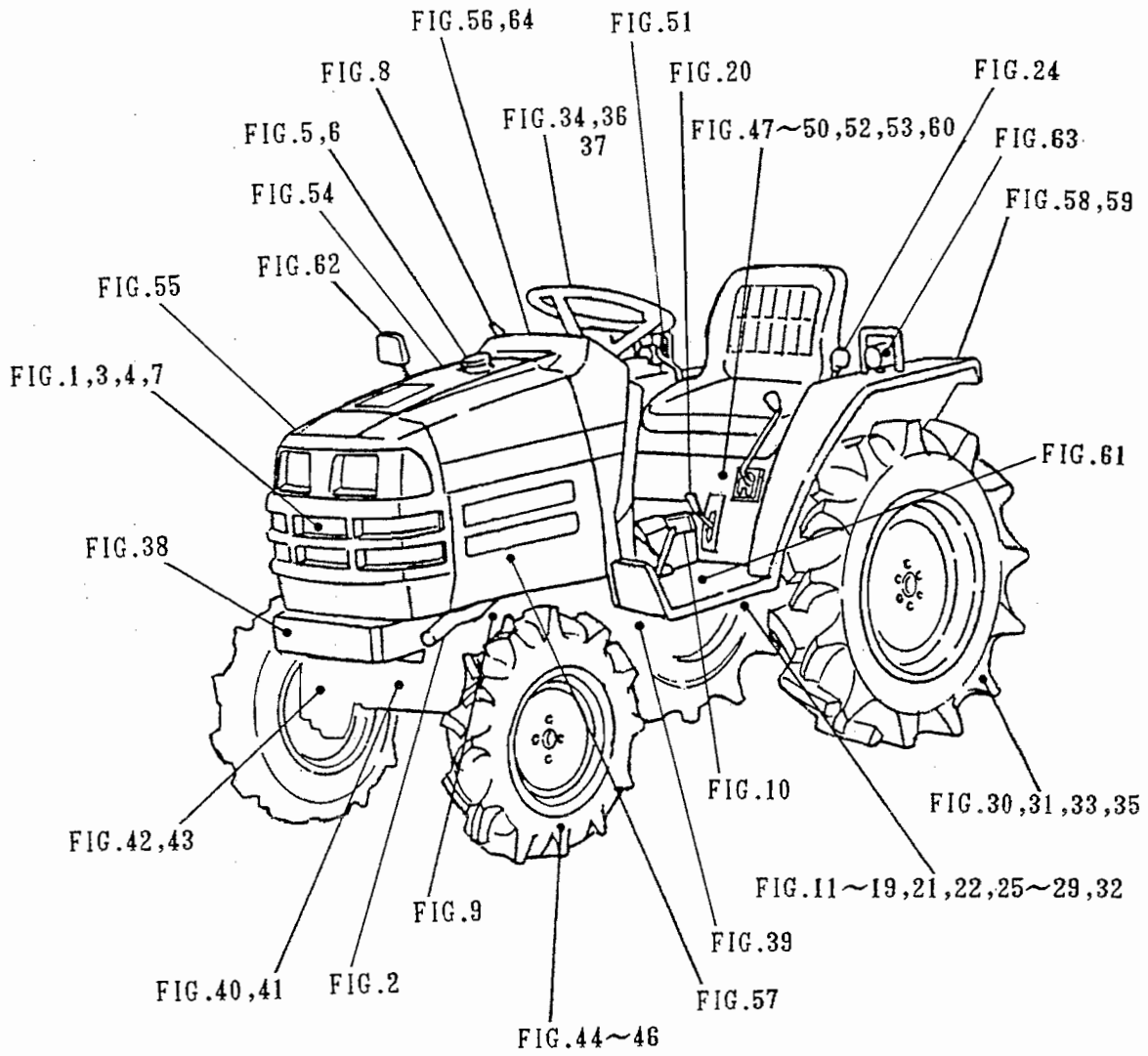
Please see



5. Parts Order

- 1) Parts numbers listed in the parts catalogue are all registered in "ISEKI on-line computer".
- 2) When you order parts, please make sure of correct numbers.
- 3) When substitute parts is available, the part number ordered will be automatically turned to a new part number.
- 4) Please be sure to use "ISEKI GENUINE PARTS".

Any other similar parts other than ISEKI parts when used may cause a trouble that makes us unable to repair or guarantee the warrant.



CONTENTS

TM215H

ENGINE (E393-B03)

CYLINDER HEAD	Fig. 1
CYLINDER HEAD COVER	Fig. 2
INLET MANIFOLD	Fig. 3
EXHAUST MANIFOLD	Fig. 4
CYLINDER BLOCK	Fig. 5
BEARING/UNDER SIZE (OPTION)	Fig. 6
OIL PAN.....	Fig. 7
REAR PLATE	Fig. 8
TIMING GEAR CASE	Fig. 9
HANGER	Fig. 10
VALVE	Fig. 11
CAM SHAFT	Fig. 12
PISTON	Fig. 13
PISTON/OVER SIZE (OPTION)	Fig. 14
CRANK SHAFT	Fig. 15
OIL PUMP	Fig. 16
WATER PUMP	Fig. 17
COOLING FAN.....	Fig. 18
INJECTION NOZZLE	Fig. 19
INJECTION PUMP	Fig. 20
FUEL PIPE	Fig. 21
ELECTRIC (1)	Fig. 22
ELECTRIC (2)	Fig. 23
COMPONENT PARTS FOR 6215 - 300 - 005 - 00 ON Fig.19	Fig. 24
COMPONENT PARTS FOR 6215 - 600 - 113 - 00 ON Fig.20	Fig. 25
COMPONENT PARTS FOR 6281 - 100 - 005 - 00 ON Fig.22	Fig. 26
COMPONENT PARTS FOR 6281 - 200 - 005 - 00 ON Fig.22	Fig. 27

CONTENTS

TM217H

ENGINE (E3100-B07)

CYLINDER HEAD	Fig. 1
CYLINDER HEAD COVER	Fig. 2
INLET MANIFOLD	Fig. 3
EXHAUST MANIFOLD	Fig. 4
CYLINDER BLOCK	Fig. 5
BEARING/UNDER SIZE (OPTION)	Fig. 6
OIL PAN.....	Fig. 7
REAR PLATE	Fig. 8
TIMING GEAR CASE	Fig. 9
HANGER	Fig. 10
VALVE	Fig. 11
CAM SHAFT	Fig. 12
PISTON	Fig. 13
PISTON/OVER SIZE (OPTION)	Fig. 14
CRANK SHAFT	Fig. 15
OIL PUMP	Fig. 16
WATER PUMP	Fig. 17
COOLING FAN.....	Fig. 18
INJECTION NOZZLE	Fig. 19
INJECTION PUMP	Fig. 20
FUEL PIPE	Fig. 21
ELECTRIC (1)	Fig. 22
ELECTRIC (2)	Fig. 23
COMPONENT PARTS FOR 6215 - 300 - 006 - 10 ON Fig.19	Fig. 24
COMPONENT PARTS FOR 6215 - 300 - 009 - 10 ON Fig.19	Fig. 25
COMPONENT PARTS FOR 6215 - 600 - 110 - 00 ON Fig.20	Fig. 26
COMPONENT PARTS FOR 6281 - 100 - 005 - 00 ON Fig.22	Fig. 27
COMPONENT PARTS FOR 6281 - 200 - 005 - 00 ON Fig.22	Fig. 28

CONTENTS

CHASSIS

RADIATOR SYSTEM	Fig. 1
MUFFLER SYSTEM	Fig. 2
AIR CLEANER SYSTEM (TM217H)	Fig. 3
AIR CLEANER SYSTEM (TM215H)	Fig. 4
FILTER SYSTEM	Fig. 5
FUEL TANK SYSTEM	Fig. 6
BATTERY SYSTEM	Fig. 7
AXLE LEVER SYSTEM	Fig. 8
CLUTCH SYSTEM	Fig. 9
CLUTCH PEDAL SYSTEM	Fig. 10
TRANSMISSION CASE SYSTEM	Fig. 11
HST SYSTEM	Fig. 12
DRIVE GEAR SYSTEM	Fig. 13
4WD GEAR SYSTEM	Fig. 14
SUB LEVER SYSTEM	Fig. 15
4WD CHANGE SYSTEM	Fig. 16
SUB CHANGE SYSTEM	Fig. 17
PTO GEAR SYSTEM	Fig. 18
PTO SHAFT SYSTEM	Fig. 19
PTO LEVER SYSTEM	Fig. 20
SHIELD COVER SYSTEM	Fig. 21
MID PTO SYSTEM	Fig. 22
MID PTO SET (EXCEPT M TYPE) (OPTION)	Fig. 23
MID PTO LEVER SYSTEM (M TYPE)	Fig. 24
LINK SYSTEM	Fig. 25
PEDAL SYSTEM	Fig. 26
PIPING SYSTEM	Fig. 27
DIFF SYSTEM	Fig. 28
REAR AXLE SYSTEM	Fig. 29
WHEEL SHAFT SYSTEM	Fig. 30

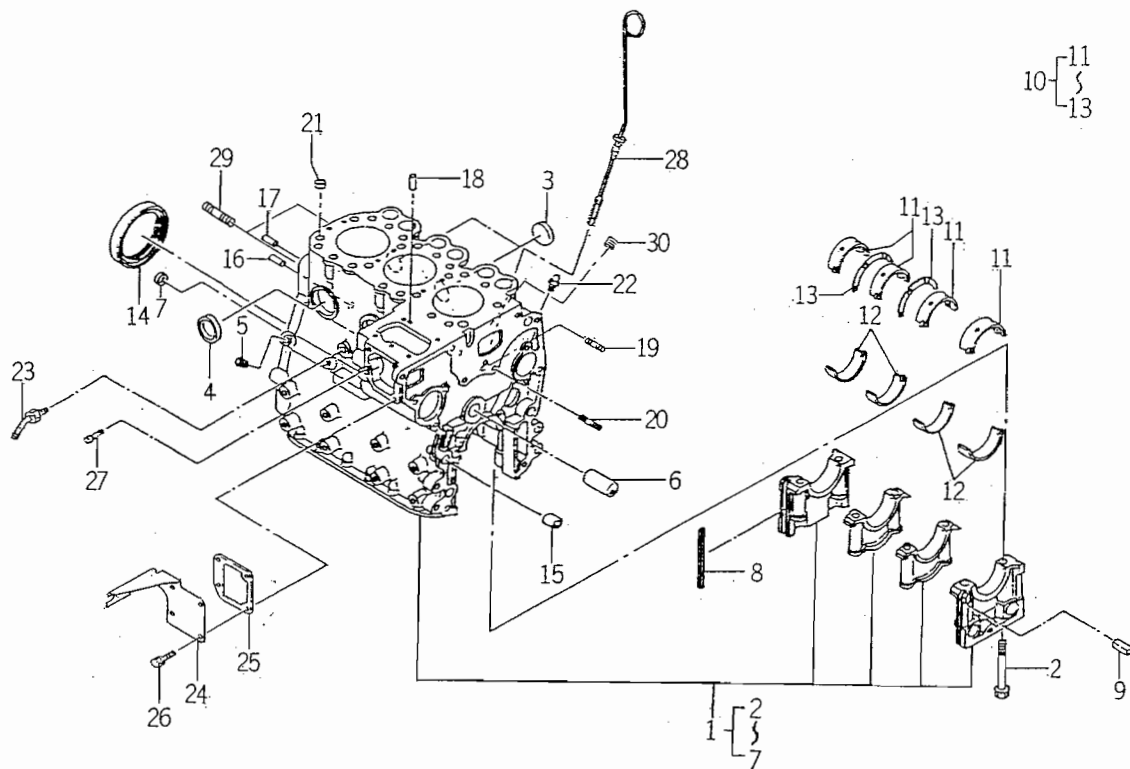
BRAKE SYSTEM	Fig. 31
HST BRAKE SYSTEM	Fig. 32
REAR WHEEL SYSTEM (OPTION)	Fig. 33
STEERING WHEEL SYSTEM	Fig. 34
CYLINDER SYSTEM	Fig. 35
STEERING SYSTEM	Fig. 36
POWER STEERING PIPING SYSTEM	Fig. 37
AXLE BRACKET,BUMPER SYSTEM	Fig. 38
DRIVE SHAFT SYSTEM	Fig. 39
DRIVE PINION SYSTEM	Fig. 40
AXLE HOUSING SYSTEM	Fig. 41
FINAL GEAR,FINAL DRIVE SHAFT SYSTEM	Fig. 42
TIE ROD SYSTEM	Fig. 43
4WD FRONT WHEEL SYSTEM (TM217H) (OPTION)	Fig. 44
FRONT TIRE SYSTEM (TM215H) (OPTION)	Fig. 45
TIRE SYSTEM (OPTION)	Fig. 46
CYLINDER CASE SYSTEM	Fig. 47
LIFT ARM SYSTEM	Fig. 48
CYLINDER SYSTEM	Fig. 49
POSITION LEVER SYSTEM	Fig. 50
POSITION ARM SYSTEM	Fig. 51
MAIN PIPING SYSTEM	Fig. 52
3P LINK SYSTEM	Fig. 53
HOOD SYSTEM	Fig. 54
GRILLE SYSTEM	Fig. 55
DASH COVER SYSTEM	Fig. 56
SIDE COVER SYSTEM	Fig. 57
FENDER SYSTEM	Fig. 58
LEVER GUIDE,SEAT BRACKET SYSTEM	Fig. 59
SEAT SYSTEM (NON - SEAT TYPE)	Fig. 60
STEP SYSTEM	Fig. 61
MIRROR SYSTEM	Fig. 62
LAMP SYSTEM	Fig. 63
PANEL SYSTEM	Fig. 64

SWITCH SYSTEM	Fig. 65
HARNESS SYSTEM	Fig. 66
7P COUPLER SYSTEM (OPTION)	Fig. 67
ORNAMENT,LABEL	Fig. 68
LABEL (CONTROL)	Fig. 69
LABEL (UK) OPTION)	Fig. 70
LABEL (FRANCE) (OPTION)	Fig. 71
LABEL (GERMANY) (OPTION)	Fig. 72
LABEL (PORTUGAL) (OPTION)	Fig. 73
LABEL (E40A) (OPTION)	Fig. 74
LABEL (E40T) (OPTION)	Fig. 75
LABEL (E40H) (OPTION)	Fig. 76
LABEL (E40V) (OPTION)	Fig. 77
TOOL	Fig. 78
COMPONENT PARTS FOR K211 - 001 - 000 - 00 ON Fig.49	Fig. 79
COMPONENT PARTS FOR K233 - 003 - 000 - 00 ON Fig.37	Fig. 80
WIRING DIAGRAM (E4) (1)	
WIRING DIAGRAM (E4) (2)	
WIRING DIAGRAM (E4) (3)	

ENGINE

E393 – B03...TM215H

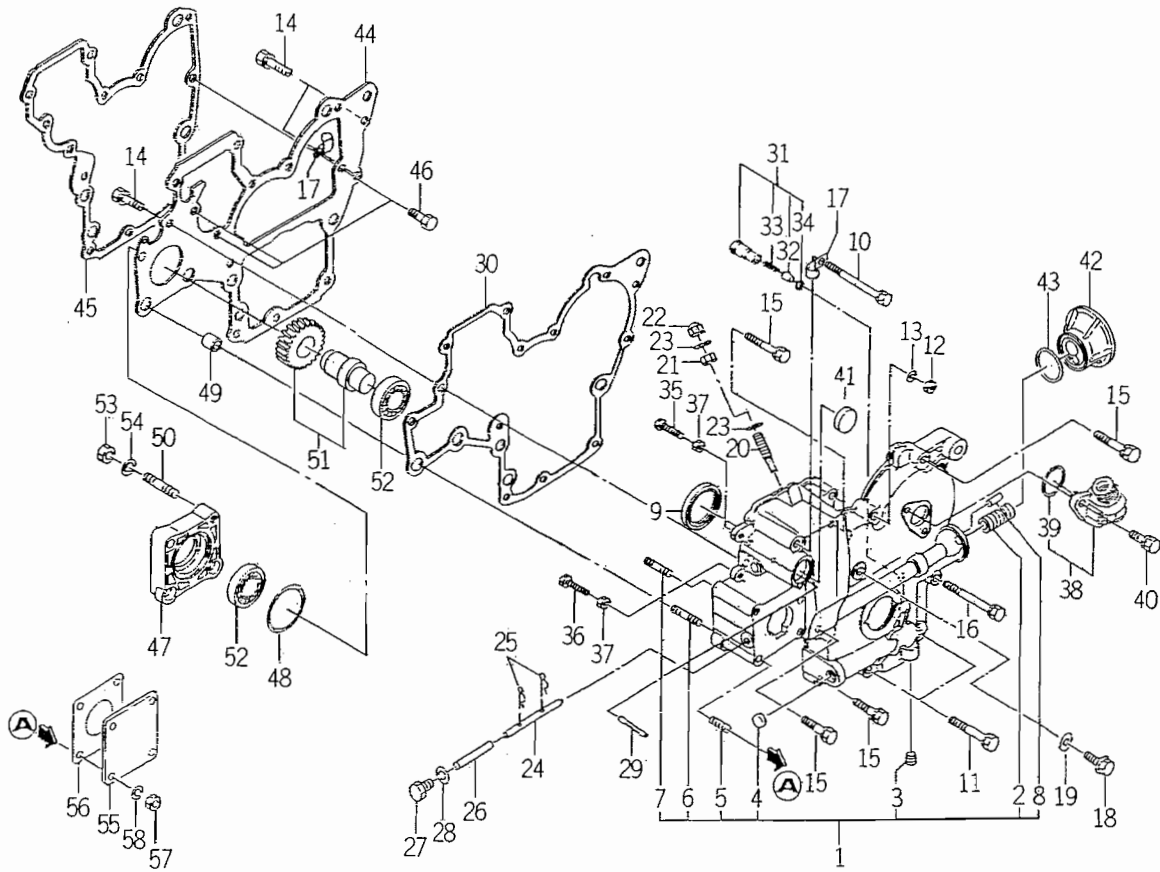
FIG. 5 CYLINDER BLOCK



6003-201Y

KEY	PART CODE	DESCRIPTION	QTY	TYPE OF MODEL		I T C	C O L	G R P	REMARKS
				E393 B03					
1	6211 - 210 - 050 - 10	CYLINDERBLOCK ASSY	1	*					
2	6209 - 000 - 004 - 10	BOLT	8	*					
3	6209 - 610 - 001 - 00	CAP,SEALING	2	*					
4	6911 - 219 - 195 - 00	CAP,SEALING	4	*					
5	6509 - 605 - 019 - 10	PLUG	3	*					
6	6212 - 531 - 005 - 10	PIN/IDLEGEAR	1	*					
7	6911 - 129 - 083 - 00	CAP,SEALING	1	*					
8	6211 - 258 - 001 - 00	SEAL,BEARING CAP	4	*					
9	6211 - 258 - 002 - 00	SEAL,BEARING CAP/7	2	*					
10	6211 - 510 - 001 - 00	METAL,CRANK SET	1	*					
11	6211 - 511 - 003 - 00	BEARING/CRANK/UPPER	4	*					
12	6211 - 511 - 004 - 00	BEARING/CRANK/LOWER	4	*					
13	6211 - 599 - 001 - 10	BEARING,THRUST CRANK	2	*					
14	6209 - 625 - 001 - 00	SEAL,OIL	1	*					
15	6209 - 749 - 001 - 10	PIN,TUBE	2	*					
16	6908 - 160 - 816 - 00	PIN	1	*					
17	6209 - 740 - 004 - 00	PIN	1	*					
18	6908 - 160 - 510 - 00	PIN	2	*					
19	6904 - 110 - 818 - 00	STUD	1	*					
20	6904 - 110 - 840 - 00	STUD/M8X40	1	*					
21	6894 - 453 - 344 - 00	DOWEL	2	*					
22	6909 - 902 - 299 - 00	NIPPLE	1	*					
23	6213 - 721 - 007 - 00	PIPE/WATERDRAIN	1	*					
24	6211 - 291 - 016 - 00	COVER/INJECTIONPUMP	1	*					
25	6211 - 292 - 001 - 20	GASKET/COVER	1	*					

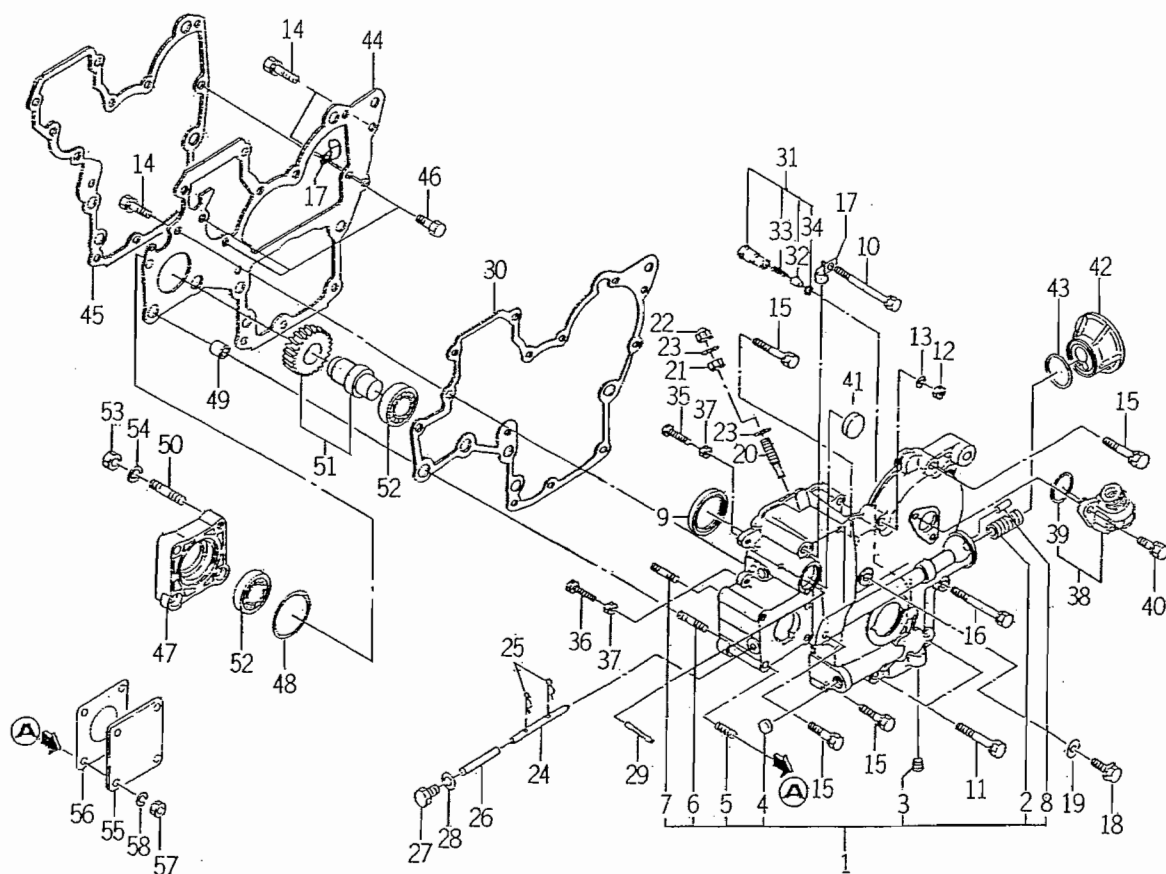
FIG. 9 TIMING GEAR CASE



6003-240R

KEY	PART CODE	DESCRIPTION	QTY	TYPE OF MODEL		I T C	C O L	G R P	REMARKS
				E393 B03					
1	6211 - 310 - 021 - 00	GEARCASE ASSY	1	*					
2	6213 - 319 - 004 - 00	CONNECTOR/OILFILTER	1	*					
3	6509 - 605 - 019 - 10	PLUG	1	*					
4	6209 - 610 - 002 - 10	CUP/SEALING/16	1	*					
5	6904 - 110 - 822 - 00	STUD	4	*					
6	6904 - 110 - 855 - 00	STUD	2	*					
7	6904 - 110 - 850 - 00	STUD	1	*					
8	6908 - 160 - 510 - 00	PIN	1	*					
9	6209 - 625 - 002 - 00	SEAL,OIL	1	*					
10	6209 - 030 - 005 - 00	BOLT/M8X85	1	*					
11	6509 - 000 - 084 - 00	BOLT/L = 55	2	*					
12	6909 - 110 - 508 - 00	NUT/M8	1	*					
13	6909 - 150 - 508 - 00	WASHER	1	*					
14	V211 - 560 - 802 - 00	BOLT/M8X20	3	*					
15	6901 - 910 - 845 - 00	BOLT,SEMS/M8X45	5	*					
16	6209 - 030 - 006 - 00	BOLT/M8X75	1	*					
17	1425 - 621 - 004 - 00	CLAMP,HARNESS	2	*					
18	6209 - 046 - 001 - 00	BOLT/M8X30	1	*					
19	6209 - 500 - 003 - 00	WASHER/08X14X01	1	*					
20	6215 - 546 - 003 - 00	STOPPER/FULLLOAD	1	*					
21	6209 - 409 - 001 - 00	NUT/M8	1	*					
22	V341 - 120 - 008 - 00	NUT,CAP/M 8	1	*					
23	6909 - 920 - 843 - 00	PACKING	2	*					
24	6215 - 542 - 004 - 20	PIN/ARM	1	*					
25	P117 - 303 - 003 - 00	PIN/SNAP	2	*					

FIG. 9 TIMING GEAR CASE

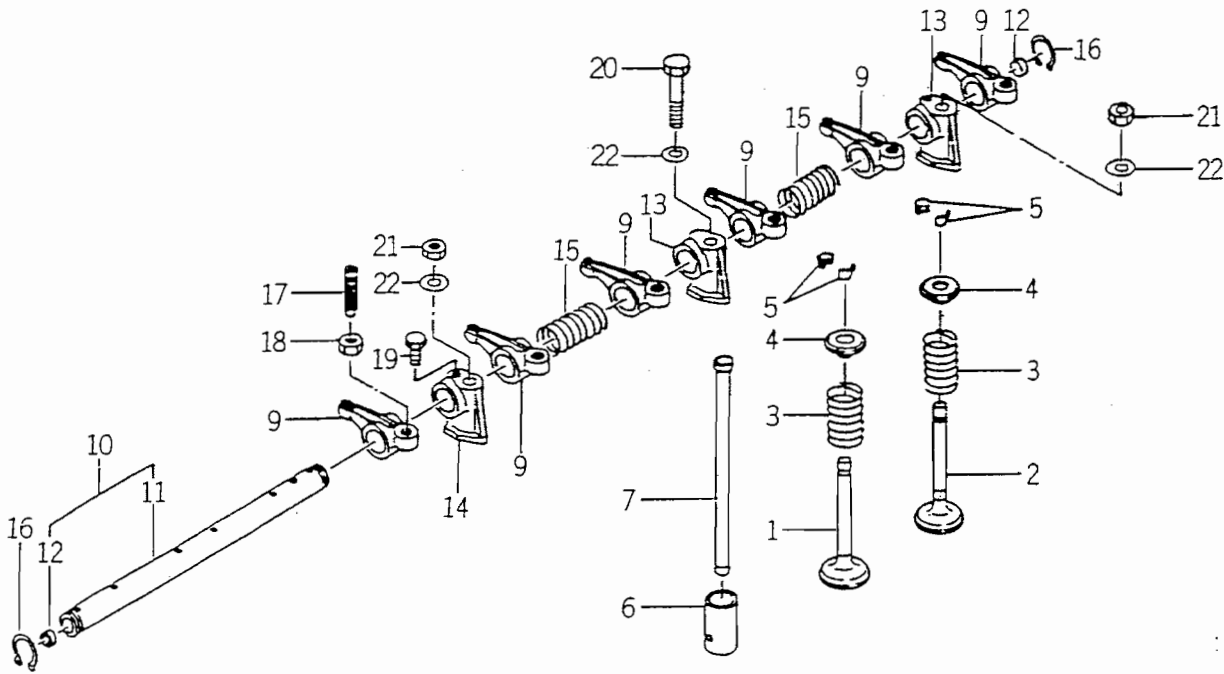


6003-240H

KEY	PART CODE	DESCRIPTION	QTY	TYPE OF MODEL		I T C	C O L	G R P	REMARKS
				E393 B03					
26	6215 - 542 - 005 - 00	PIN	1	*					
27	6909 - 202 - 308 - 00	PLUG	1	*					
28	6909 - 920 - 843 - 00	PACKING	1	*					
29	6209 - 740 - 001 - 00	PIN,GROOVE	1	*					
30	6211 - 312 - 003 - 10	GASKET,GEAR CASE	1	*					
31	6213 - 160 - 002 - 00	VALVE/RELIEF ASSY	1	*					
32	6213 - 161 - 001 - 00	PISTON/RELIEF VALVE	1	*					
33	6213 - 164 - 001 - 00	SPRING/RELIEF VALVE	1	*					
34	V705 - 140 - 012 - 00	RING,SNAP/12 C	1	*					
35	6209 - 050 - 001 - 00	BOLT/M6	1	*					
36	6209 - 050 - 002 - 00	BOLT/M6	1	*					
37	6909 - 110 - 406 - 00	NUT	2	*					
38	6219 - 310 - 003 - 10	DRIVE/TACHOMETE ASSY	1	*					
39	V723 - 102 - 002 - 40	RING/O	1	*					
40	6901 - 910 - 616 - 00	BOLT,SEMS/M6X16	2	*					
41	3625 - 540 - 004 - 00	CAP,BLANK/30	1	*					
42	6213 - 211 - 001 - 10	SPACER,OIL FILTER	1	*					
43	V723 - 102 - 003 - 60	O - RING	1	*					
44	6211 - 311 - 011 - 00	PLATE FRONT	1	*					
45	6211 - 312 - 002 - 20	GASKET/PLATE	1	*					
46	6902 - 050 - 816 - 00	BOLT	3	*					
47	6211 - 319 - 003 - 00	SPACER	1	*					
48	V723 - 102 - 005 - 00	O - RING 1A S50	1	*					
49	6209 - 749 - 001 - 10	PIN,TUBE	2	*					
50	6904 - 110 - 822 - 00	STUD	1	*					

FIG. 11 VALVE

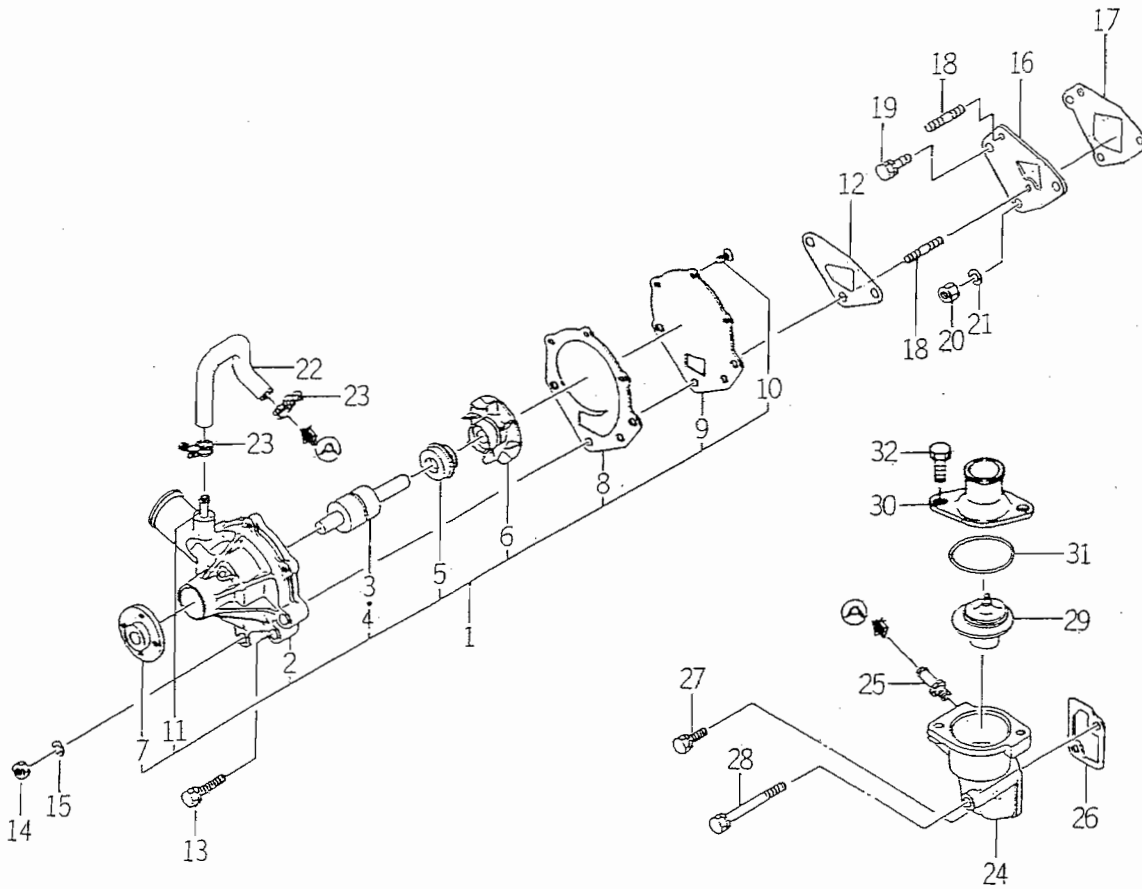
8 { 9
5
19



6003-301

KEY	PART CODE	DESCRIPTION	QTY	TYPE OF MODEL		I T C	C O L	G R P	REMARKS
				E393 B03					
1	6212 - 551 - 001 - 00	VALVE,INTAKE	3	*					
2	6212 - 552 - 001 - 00	VALVE,EXHAUST	3	*					
3	6212 - 561 - 001 - 00	SPRING,VALVE	6	*					
4	6212 - 563 - 001 - 00	SEAT,VALVE SPRING	6	*					
5	6212 - 565 - 001 - 00	CUTTER,VALVE	12	*					
6	6212 - 571 - 001 - 10	TAPPET	6	*					
7	6212 - 575 - 001 - 00	ROD,PUSH	6	*					
8	6212 - 600 - 002 - 00	SHAFT,ROCKER ASSY	1	*					
9	6212 - 611 - 004 - 10	ROCKERARM	6	*					
10	6212 - 620 - 001 - 10	SHAFT,ROCKER ARM ASSY	1	*					
11	6212 - 621 - 002 - 10	SHAFT/ROCKERARM	1	*					
12	6212 - 626 - 002 - 10	PLUG	2	*					
13	6212 - 628 - 004 - 00	BRACKET ROCKER SHAFT	2	*					
14	6212 - 628 - 005 - 00	BRACKET,ROCKER SHAFT	1	*					
15	6209 - 940 - 004 - 00	SPRING	2	*					
16	V704 - 140 - 016 - 00	RING,SNAP/16 C	2	*					
17	6212 - 616 - 002 - 00	SCREW ADJUST	6	*					
18	6209 - 409 - 003 - 00	NUT	6	*					
19	6209 - 000 - 002 - 00	BOLT	1	*					
20	6901 - 050 - 850 - 00	BOLT/M8X45	1	*					
21	6909 - 110 - 508 - 00	NUT/M8	2	*					
22	6909 - 164 - 508 - 00	WASHER,PL/M8	3	*					

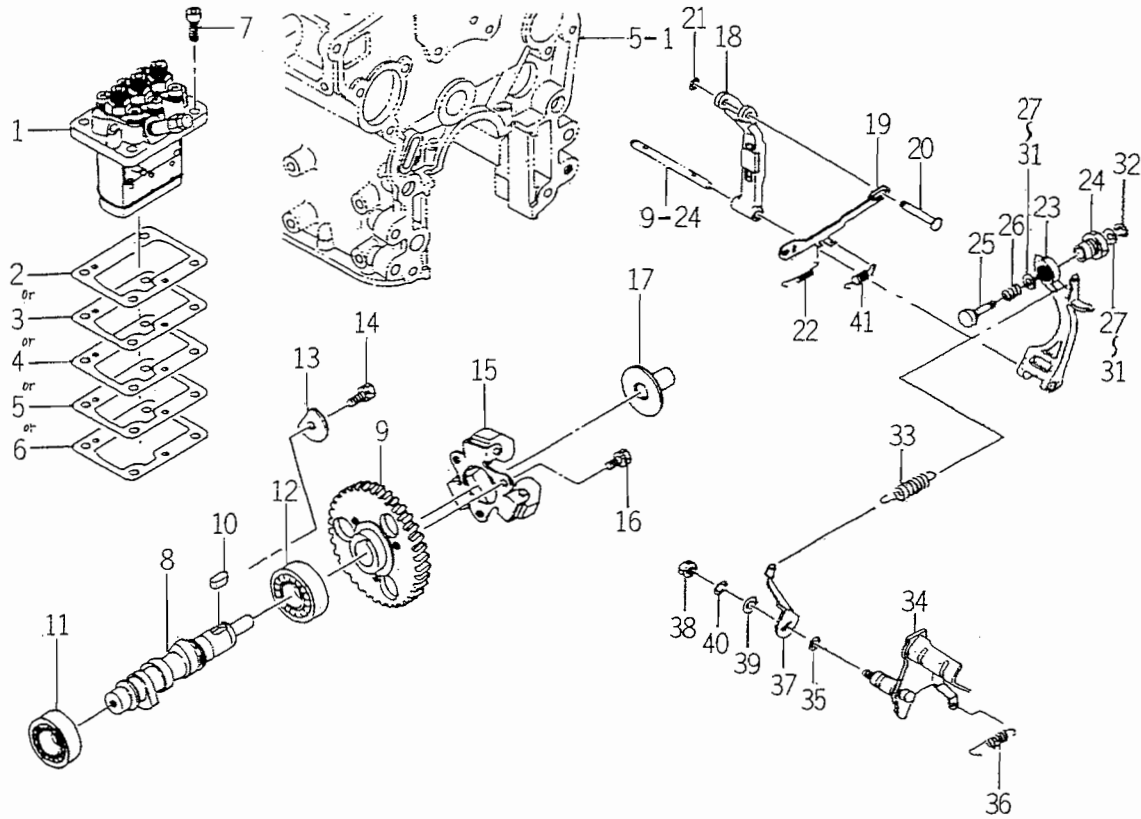
FIG. 17 WATER PUMP



6003-420B

KEY	PART CODE	DESCRIPTION	QTY	TYPE OF MODEL		I T C	C O L	G R P	REMARKS
				E393 B03					
1	6213-610-005-30	WATERPUMP ASSY	1	*					
2	6213-611-003-20	BODY/WATERPUMP	1	*					
3	6213-631-002-00	BEARING/WATER PUMP	1	*					
4	6213-631-005-00	BEARING/WATERPUMP	1	*					
5	6213-622-002-10	SEAL SET/WATER PUMP	1	*					
6	6213-621-003-00	ROTOR/WATERPUMP	1	*					
7	6213-642-002-00	SEAL/WATER PUMPPULLE	1	*					
8	6213-613-002-10	GASKET	1	*					
9	6213-612-004-00	PLATE/WATER PUMP	1	*					
10	6213-619-003-00	SCREW/WATER PUMP	3	*					
11	6213-619-002-00	PIPE/WATER PUMP	1	*					
12	6213-614-003-10	GASKET/WATER PUMP	1	*					
13	6901-910-845-00	BOLT,SEMS/M8X45	1	*					
14	6909-110-508-00	NUT/M8	2	*					
15	6909-150-508-00	WASHER	2	*					
16	6213-619-005-00	SPACER,WATER PUMP	1	*					
17	6213-614-006-10	GASKET/SPACER	1	*					
18	6209-300-002-00	STUD	2	*					
19	V211-560-802-00	BOLT/M8X20	1	*					
20	6909-110-508-00	NUT/M8	1	*					
21	6909-150-508-00	WASHER	1	*					
22	6213-729-013-00	HOSE/RUBBER	1	*					
23	J061-210-015-00	CLAMP/WIRE/10-15	2	*					
24	6213-716-001-40	HOUSING/THERMOSTAT	1	*					
25	6213-721-003-00	PIPE,PUMP HOUSING	1	*					

FIG. 20 INJECTION PUMP

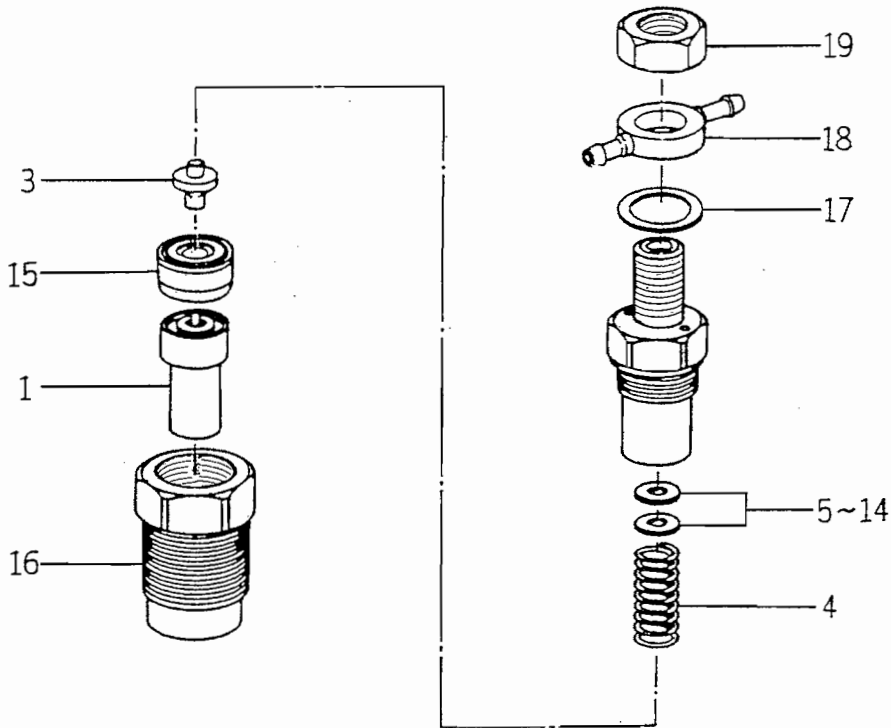


6005-510K

KEY	PART CODE	DESCRIPTION	QTY	TYPE OF MODEL		I T C	C O L	G R P	REMARKS
				E393 803					
1	6215 - 600 - 113 - 00	INJECTIONPUMP ASSY	1	*					FIG 025
2	6219 - 752 - 001 - 00	SHIM,INJECTION PUMP	1	*					
3	6219 - 752 - 002 - 00	SHIM,INJECTION PUMP	1	*					
4	6219 - 752 - 003 - 00	SHIM,INJECTION PUMP	1	*					
5	6219 - 752 - 004 - 00	SHIM,INJECTION PUMP	1	*					
6	6219 - 752 - 005 - 00	SHIM,INJECTION PUMP	1	*					
7	6209 - 056 - 001 - 00	BOLT/M6X18	4	*					
8	6215 - 621 - 001 - 30	CAMSHAFT/INJPUMP	1	*					
9	6212 - 524 - 002 - 00	GEAR,INJ PUMP	1	*					
10	6908 - 000 - 716 - 00	KEY	1	*					
11	V600 - 110 - 620 - 30	BEARING,RB/6203	1	*					
12	V600 - 110 - 600 - 40	BEARING,RB/6004	1	*					
13	6212 - 535 - 002 - 00	PLATE,THRUST INJPUMP	1	*					
14	6901 - 910 - 612 - 00	BOLT,SEMS/M6X12	1	*					
15	6215 - 520 - 001 - 00	FLYWEIGHT	1	*					
16	6209 - 030 - 043 - 00	BOLT/M6X10	3	*					
17	6215 - 526 - 001 - 10	PIECE,THRUST	1	*					
18	6215 - 541 - 001 - 00	ARM,FLOATING	1	*					
19	6215 - 543 - 001 - 10	LINK,CONTROL	1	*					
20	6215 - 542 - 006 - 00	PIN,CONTROL	1	*					
21	V710 - 140 - 004 - 00	RING,SNAP/ 4 E	1	*					
22	6215 - 549 - 003 - 00	SPRING,SETTING	1	*					
23	6215 - 541 - 016 - 30	ARM/TENSION	1	*					
24	6215 - 549 - 028 - 00	CASE/ADAPTER	1	*					
25	6215 - 549 - 027 - 10	PIN/ADAPTER	1	*					

FIG. 24 COMPONENT PARTS FOR 6215 - 300 - 005 - 00 ON Fig.19

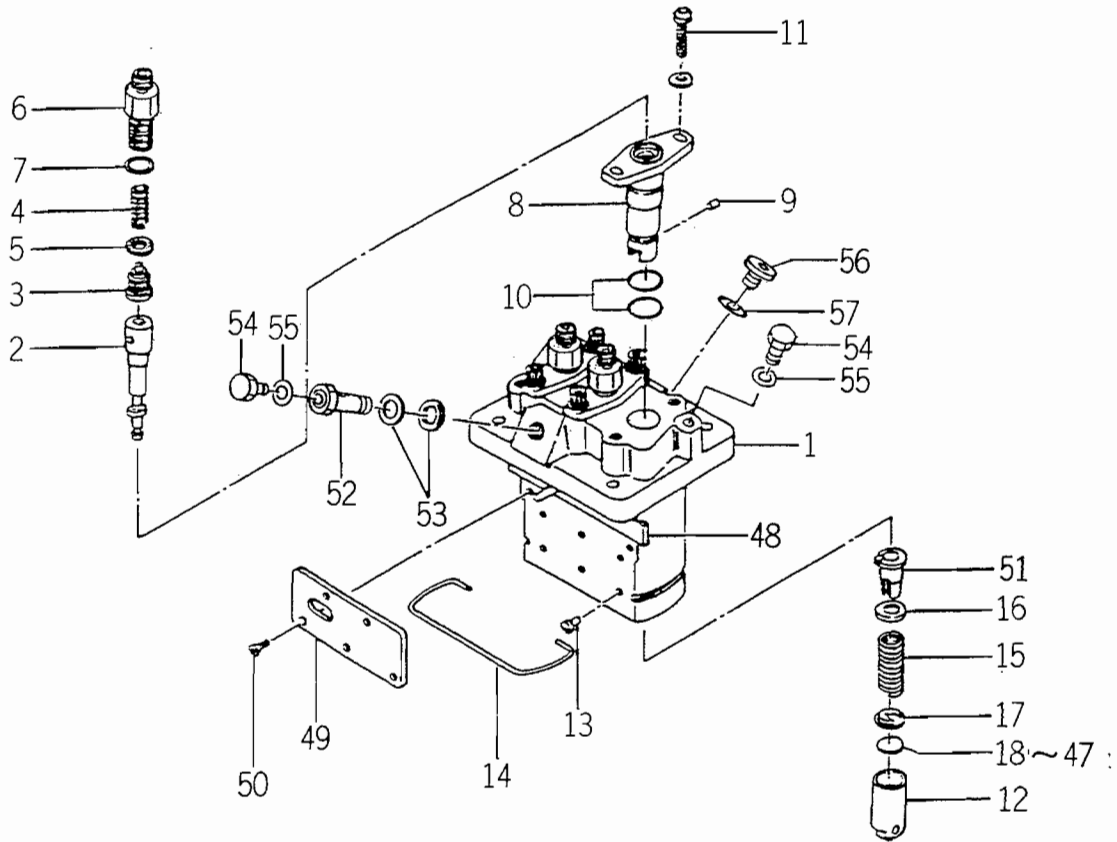
2-³/₁₉



6215-3000

KEY	PART CODE	DESCRIPTION	QTY	TYPE OF MODEL		I T C	C O L	G R P	REMARKS
				E393 B03					
1	6215 - 311 - 005 - 00	NOZZLE	3	*					
2	6215 - 330 - 007 - 00	HOLDER,NOZZLE ASSY	3	*					
3	6215 - 342 - 002 - 00	SEAT,SPRING	3	*					
4	6215 - 343 - 002 - 00	SPRING,NOZZLE	3	*					
5	6215 - 345 - 044 - 00	SHIM/T = 0.1	3	*					
6	6215 - 345 - 045 - 00	SHIM/T = 0.2	3	*					
7	6215 - 345 - 046 - 00	SHIM/T = 0.3	3	*					
8	6215 - 345 - 047 - 00	SHIM/T = 0.4	3	*					
9	6215 - 345 - 048 - 00	SHIM/T = 0.5	3	*					
10	6215 - 345 - 049 - 00	SHIM/T = 0.52	3	*					
11	6215 - 345 - 050 - 00	SHIM/T = 0.54	3	*					
12	6215 - 345 - 051 - 00	SHIM/T = 0.56	3	*					
13	6215 - 345 - 052 - 00	SHIM/T = 0.58	3	*					
14	6215 - 345 - 053 - 00	SHIM/T = 0.8	3	*					
15	6215 - 339 - 002 - 00	SPACER	3	*					
16	6215 - 332 - 002 - 00	NUT,RETAINING	3	*					
17	6215 - 359 - 003 - 00	GASKET	3	*					
18	6215 - 355 - 003 - 00	EYE	3	*					
19	6215 - 359 - 004 - 00	NUT	3	*					

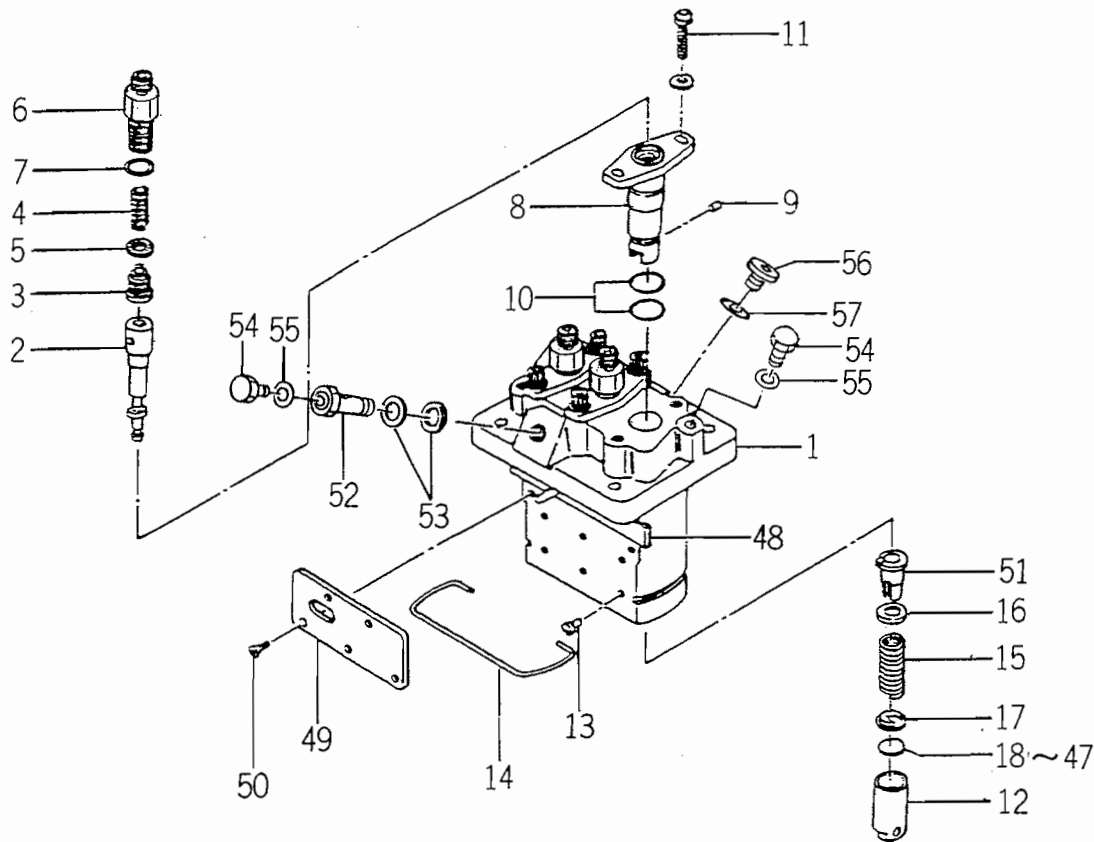
FIG. 25 COMPONENT PARTS FOR 6215 - 600 - 113 - 00 ON Fig.20



6215-6001

KEY	PART CODE	DESCRIPTION	QTY	TYPE OF MODEL		I T C	C O L	G R P	REMARKS
				E393 B03					
1	6215 - 611 - 002 - 00	HOUSING,PUMP	1	*					
2	6215 - 631 - 017 - 00	PLUNGER ASSY	3	*					
3	6215 - 641 - 002 - 00	VALVE,DELIVERY	3	*					
4	6215 - 643 - 002 - 00	SPRING DELIVERY VALV	3	*					
5	6215 - 649 - 003 - 00	GASKET	3	*					
6	6215 - 644 - 003 - 00	HOLDER,DELIVERYVALVE	3	*					
7	6215 - 649 - 004 - 00	O - RING	3	*					
8	6215 - 635 - 002 - 00	SLEEVE,FRANGE	3	*					
9	6215 - 649 - 005 - 00	PIN	3	*					
10	6215 - 649 - 006 - 00	O - RING	6	*					
11	6215 - 649 - 007 - 00	SCREW	6	*					
12	6215 - 622 - 002 - 00	TAPPET	3	*					
13	6215 - 629 - 017 - 00	PIN	3	*					
14	6215 - 629 - 018 - 00	RING,SNAP	1	*					
15	6215 - 634 - 002 - 00	SPRING,PLUNGER	3	*					
16	6215 - 639 - 006 - 00	SEAT,SPRING	3	*					
17	6215 - 639 - 007 - 00	SEAT,SPRING	3	*					
18	6215 - 629 - 020 - 00	PLATE/T = 1.80	3	*					
19	6215 - 629 - 021 - 00	PLATE/T = 1.85	3	*					
20	6215 - 629 - 022 - 00	PLATE/T = 1.90	3	*					
21	6215 - 629 - 023 - 00	PLATE/T = 1.95	3	*					
22	6215 - 629 - 024 - 00	PLATE/T = 2.00	3	*					
23	6215 - 629 - 025 - 00	PLATE/T = 2.05	3	*					
24	6215 - 629 - 026 - 00	PLATE/T = 2.10	3	*					
25	6215 - 629 - 027 - 00	PLATE/T = 2.15	3	*					

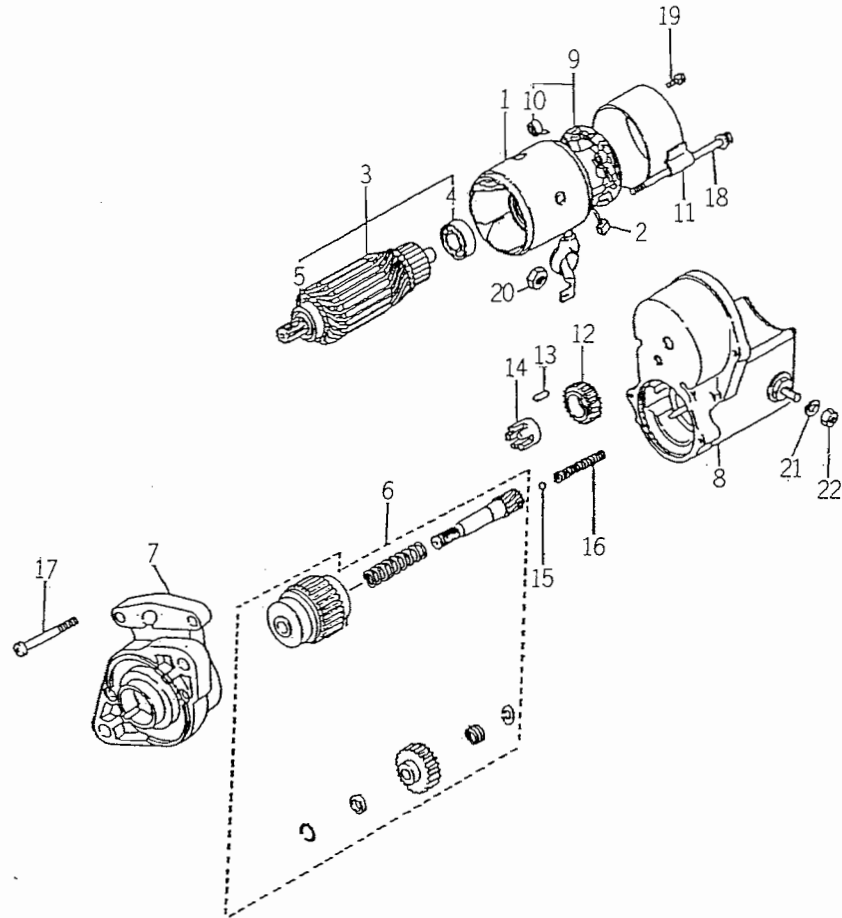
FIG. 25 COMPONENT PARTS FOR 6215 - 600 - 113 - 00 ON Fig.20



6215-6001

KEY	PART CODE	DESCRIPTION	QTY	TYPE OF MODEL		I T C	C O L	G R P	REMARKS
				E393 B03					
26	6215 - 629 - 028 - 00	PLATE/T = 2.20	3	*					
27	6215 - 629 - 029 - 00	PLATE/T = 2.25	3	*					
28	6215 - 629 - 030 - 00	PLATE/T = 2.30	3	*					
29	6215 - 629 - 031 - 00	PLATE/T = 2.35	3	*					
30	6215 - 629 - 032 - 00	PLATE/T = 2.40	3	*					
31	6215 - 629 - 033 - 00	PLATE/T = 2.45	3	*					
32	6215 - 629 - 034 - 00	PLATE/T = 2.50	3	*					
33	6215 - 629 - 068 - 00	PLATE	3	*					
34	6215 - 629 - 069 - 00	PLATE	3	*					
35	6215 - 629 - 070 - 00	PLATE	3	*					
36	6215 - 629 - 071 - 00	PLATE	3	*					
37	6215 - 629 - 072 - 00	PLATE	3	*					
38	6215 - 629 - 073 - 00	PLATE	3	*					
39	6215 - 629 - 074 - 00	PLATE	3	*					
40	6215 - 629 - 075 - 00	PLATE	3	*					
41	6215 - 629 - 076 - 00	PLATE	3	*					
42	6215 - 629 - 077 - 00	PLATE	3	*					
43	6215 - 629 - 078 - 00	PLATE	3	*					
44	6215 - 629 - 079 - 00	PLATE	3	*					
45	6215 - 629 - 080 - 00	PLATE	3	*					
46	6215 - 629 - 081 - 00	PLATE	3	*					
47	6215 - 629 - 082 - 00	PLATE	3	*					
48	6215 - 637 - 002 - 00	ROD,CONTROL	1	*					
49	6215 - 612 - 002 - 00	PLATE	1	*					
50	6215 - 619 - 012 - 00	SCREW	4	*					

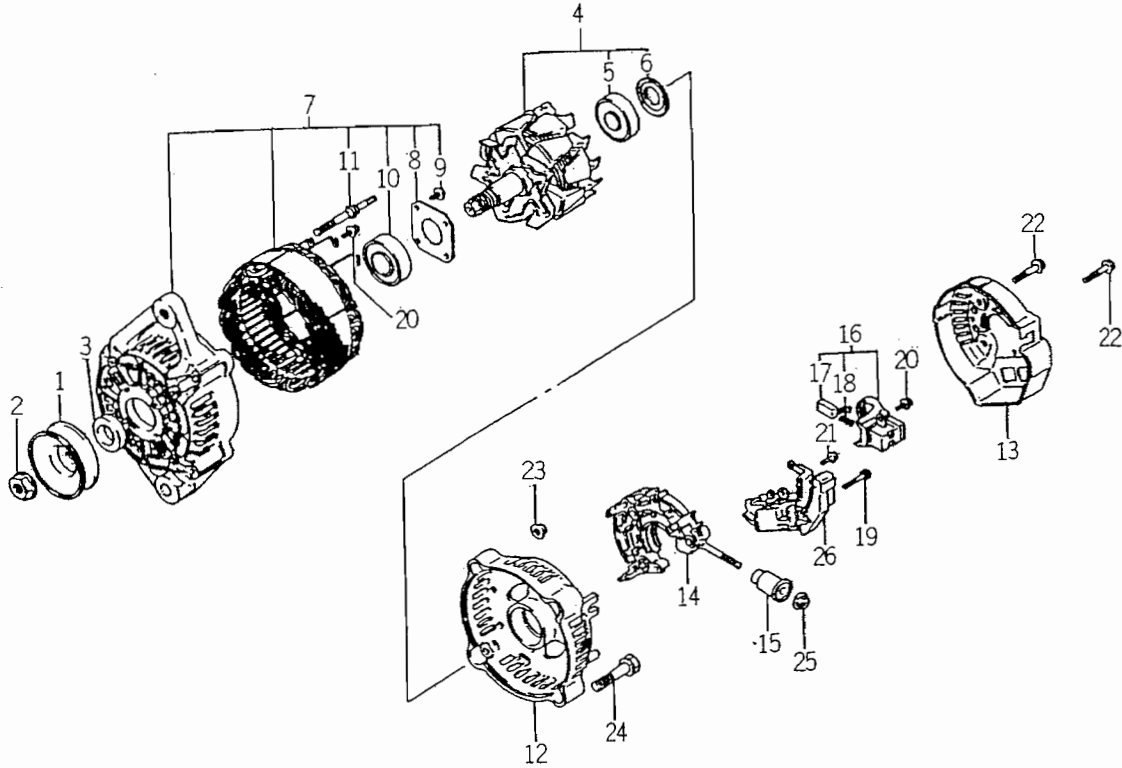
FIG. 26 COMPONENT PARTS FOR 6281 - 100 - 005 - 00 ON Fig.22



6281-1000

KEY	PART CODE	DESCRIPTION	QTY	TYPE OF MODEL		I T C	C O L	G R P	REMARKS
				E393 B03					
1	6281 - 111 - 002 - 00	YOKE/STARTER	1	*					
2	6281 - 116 - 002 - 00	STARTER KIT	2	*					
3	6281 - 121 - 003 - 00	ARMATURE	1	*					
4	6281 - 129 - 010 - 00	BEARING,BALL	1	*					
5	6281 - 129 - 011 - 00	BEARING,BALL	1	*					
6	6281 - 124 - 001 - 00	STARTER KIT	1	*					
7	6281 - 129 - 020 - 00	HOUSING,STARTER ASSY	1	*					
8	6281 - 151 - 005 - 00	SWITCH,STARTER ASSY	1	*					
9	6281 - 118 - 002 - 00	HOLDER BRUSH ASSY	1	*					
10	6581 - 117 - 007 - 00	SPRING,BRUSH	4	*					
11	6281 - 115 - 005 - 00	FRAME,STARTER END	1	*					
12	6581 - 123 - 011 - 00	PINION,STARTER	1	*					
13	6581 - 129 - 099 - 00	RORA	5	*					
14	6581 - 129 - 100 - 00	RETAINER	1	*					
15	6581 - 129 - 092 - 00	BALL	1	*					
16	6581 - 129 - 096 - 00	SPRING	1	*					
17	6281 - 129 - 006 - 00	SCREW	2	*					
18	6281 - 129 - 008 - 00	BOLT/WS	2	*					
19	6281 - 129 - 009 - 00	SCREW/WS	2	*					
20	6909 - 111 - 508 - 00	NUT	1	*					
21	6909 - 150 - 508 - 00	WASHER	1	*					
22	6909 - 110 - 408 - 00	NUT/M8	1	*					

FIG. 27 COMPONENT PARTS FOR 6281 - 200 - 005 - 00 ON Fig.22



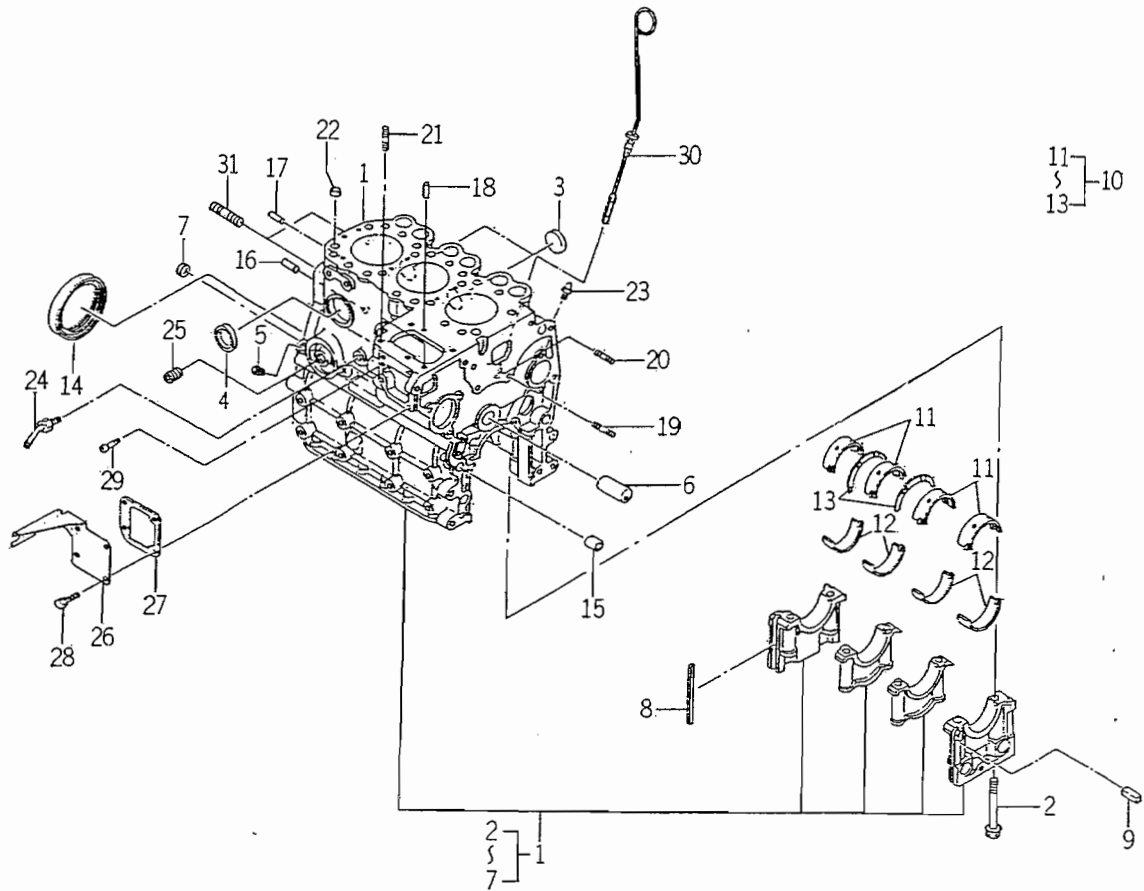
6281-2000

KEY	PART CODE	DESCRIPTION	QTY	TYPE OF MODEL		I T C	C O L	G R P	REMARKS
				E393 B03					
1	6281 - 222 - 004 - 00	PULLEY	1	*					
2	6281 - 229 - 002 - 00	NUT	1	*					
3	6281 - 229 - 003 - 00	COLLOR	1	*					
4	6281 - 221 - 001 - 00	ROTOR ASSY	1	*					
5	6281 - 229 - 005 - 00	BEARING	1	*					
6	6281 - 229 - 004 - 00	COVER,BEARING	1	*					
7	6281 - 213 - 006 - 00	FRAME ASSY	1	*					
8	6281 - 229 - 006 - 00	PLATE	1	*					
9	6281 - 229 - 007 - 00	BOLT	4	*					
10	6281 - 229 - 009 - 00	BEARING	1	*					
11	6281 - 229 - 008 - 00	BOLT	2	*					
12	6281 - 214 - 003 - 00	FRAME	1	*					
13	6281 - 214 - 004 - 00	COVER	1	*					
14	6281 - 229 - 029 - 00	HOLDER ASSY	1	*					
15	6281 - 229 - 011 - 00	BUSH	1	*					
16	6281 - 217 - 001 - 00	HOLDER,BRUSH ASSY	1	*					
17	6281 - 215 - 001 - 00	BRUSH	2	*					
18	6281 - 216 - 001 - 00	SPRING	2	*					
19	6281 - 229 - 012 - 00	BOLT	2	*					
20	6281 - 229 - 013 - 00	BOLT	6	*					
21	6281 - 229 - 014 - 00	BOLT	1	*					
22	6281 - 229 - 015 - 00	BOLT	3	*					
23	6281 - 229 - 016 - 00	NUT	2	*					
24	6281 - 229 - 017 - 00	BOLT	2	*					
25	6281 - 229 - 018 - 00	NUT	1	*					

ENGINE

E3100 – B07...TM217H

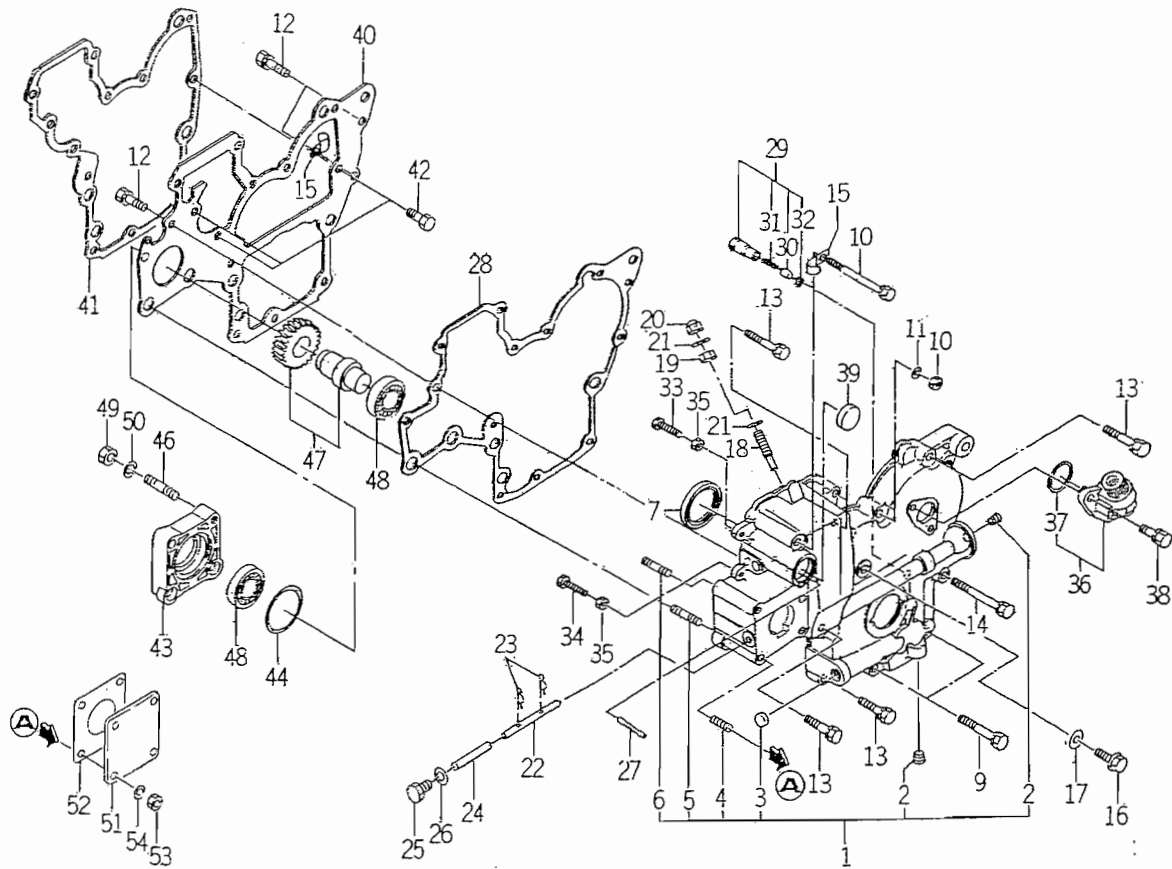
FIG. 5 CYLINDER BLOCK



6004-201P

KEY	PART CODE	DESCRIPTION	QTY	TYPE OF MODEL		I T C	C O L	G R P	REMARKS
				E3100 807					
1	6211 - 210 - 046 - 00	CYLINDERBLOCK ASSY	1	*					
2	6209 - 000 - 004 - 10	BOLT	8	*					
3	6209 - 610 - 001 - 00	CAP,SEALING	2	*					
4	6911 - 219 - 195 - 00	CAP,SEALING	4	*					
5	6509 - 605 - 019 - 10	PLUG	3	*					
6	6212 - 531 - 005 - 10	PIN/IDLEGEAR	1	*					
7	6911 - 129 - 083 - 00	CAP,SEALING	2	*					
8	6211 - 258 - 001 - 00	SEAL,BEARING CAP	4	*					
9	6211 - 258 - 002 - 00	SEAL,BEARING CAP/7	2	*					
10	6211 - 510 - 001 - 00	METAL,CRANK SET	1	*					
11	6211 - 511 - 003 - 00	BEARING/CRANK/UPPER	4	*					
12	6211 - 511 - 004 - 00	BEARING/CRANK/LOWER	4	*					
13	6211 - 599 - 001 - 10	BEARING,THRUST CRANK	2	*					
14	6209 - 625 - 001 - 00	SEAL,OIL	1	*					
15	6209 - 749 - 001 - 10	PIN,TUBE	2	*					
16	6908 - 160 - 816 - 00	PIN	1	*					
17	6209 - 740 - 004 - 00	PIN	1	*					
18	6209 - 740 - 005 - 00	PIN	2	*					
19	6904 - 110 - 840 - 00	STUD/M8X40	1	*					
20	6904 - 110 - 818 - 00	STUD	1	*					
21	6904 - 110 - 822 - 00	STUD	2	*					
22	6894 - 453 - 344 - 00	DOWEL	2	*					
23	6909 - 902 - 299 - 00	NIPPLE	1	*					
24	6213 - 721 - 007 - 00	PIPE/WATERDRAIN	1	*					
25	6213 - 319 - 001 - 00	CONNECTOR,OIL FILTER	1	*					

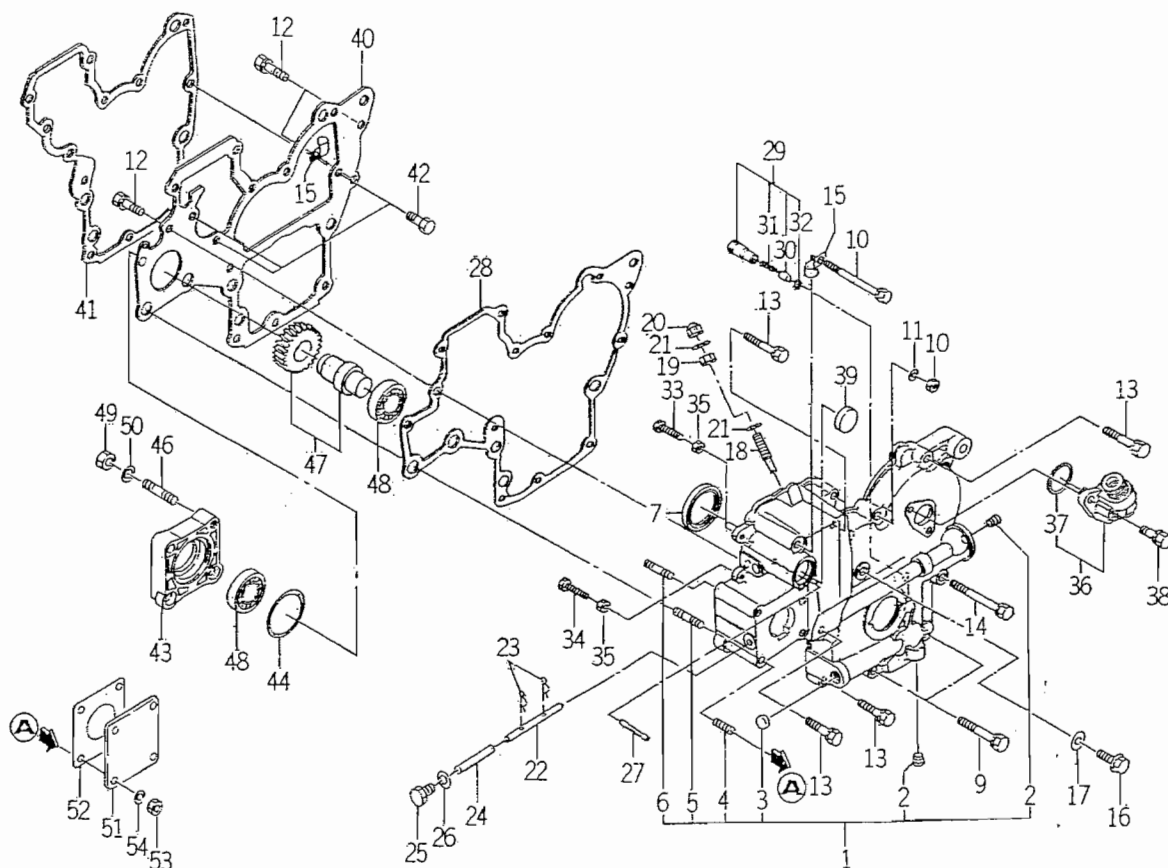
FIG. 9 TIMING GEAR CASE



8CC4-24GD

KEY	PART CODE	DESCRIPTION	QTY	TYPE OF MODEL		I T C	C O L	G R P	REMARKS
				E3100 B07					
1	6211 - 310 - 012 - 10	GEARCASE ASSY	1	*					
2	6509 - 605 - 019 - 10	PLUG	2	*					
3	6209 - 610 - 002 - 10	CUP/SEALING/16	1	*					
4	6904 - 110 - 822 - 00	STUD	4	*					
5	6904 - 110 - 855 - 00	STUD	2	*					
6	6904 - 110 - 850 - 00	STUD	1	*					
7	6209 - 625 - 002 - 00	SEAL,OIL	1	*					
8	6209 - 030 - 005 - 00	BOLT/M8X85	1	*					
9	6509 - 000 - 084 - 00	BOLT/L = 55	2	*					
10	6909 - 110 - 508 - 00	NUT/M8	1	*					
11	6909 - 150 - 508 - 00	WASHER	1	*					
12	V211 - 560 - 802 - 00	BOLT/M8X20	3	*					
13	6901 - 910 - 845 - 00	BOLT,SEMS/M8X45	5	*					
14	6209 - 030 - 006 - 00	BOLT/M8X75	1	*					
15	1425 - 621 - 004 - 00	CLAMP,HARNESS	2	*					
16	6209 - 046 - 001 - 00	BOLT/M8X30	1	*					
17	6209 - 500 - 003 - 00	WASHER/08X14X01	1	*					
18	6215 - 546 - 003 - 00	STOPPER/FULLLOAD	1	*					
19	6209 - 409 - 001 - 00	NUT/M8	1	*					
20	V341 - 120 - 008 - 00	NUT,CAP/M 8	1	*					
21	6909 - 920 - 843 - 00	PACKING	2	*					
22	6215 - 542 - 004 - 20	PIN/ARM	1	*					
23	P117 - 303 - 003 - 00	PIN/SNAP	2	*					
24	6215 - 542 - 005 - 00	PIN	1	*					
25	6909 - 202 - 308 - 00	PLUG	1	*					

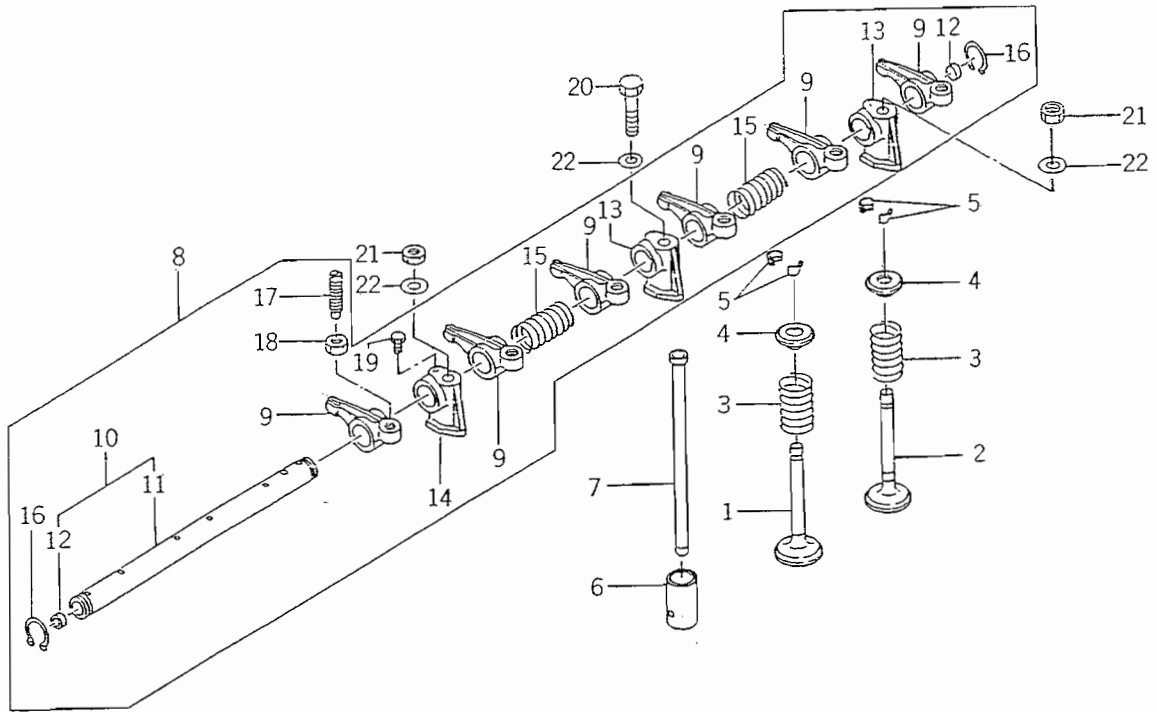
FIG. 9 TIMING GEAR CASE



60C4-240D

KEY	PART CODE	DESCRIPTION	QTY	TYPE OF MODEL		I T C	C O L	G R P	REMARKS
				E3100 B07					
26	6909 - 920 - 843 - 00	PACKING	1	*					
27	6209 - 740 - 001 - 00	PIN,GROOVE	1	*					
28	6211 - 312 - 003 - 10	GASKET,GEAR CASE	1	*					
29	6213 - 160 - 002 - 00	VALVE/RELIEF ASSY	1	*					
30	6213 - 161 - 001 - 00	PISTON/RELIEF VALVE	1	*					
31	6213 - 164 - 001 - 00	SPRING/RELIEF VALVE	1	*					
32	V705 - 140 - 012 - 00	RING,SNAP/12 C	1	*					
33	6209 - 050 - 001 - 00	BOLT/M6	1	*					
34	6209 - 050 - 002 - 00	BOLT/M6	1	*					
35	6909 - 110 - 406 - 00	NUT	2	*					
36	6219 - 310 - 003 - 10	DRIVE/TACHOMETE ASSY	1	*					
37	V723 - 102 - 002 - 40	RING/O	1	*					
38	6901 - 910 - 616 - 00	BOLT,SEMS/M6X16	2	*					
39	3625 - 540 - 004 - 00	CAP,BLANK/30	1	*					
40	6211 - 311 - 007 - 20	PLATE,FRONT	1	*					
41	6211 - 312 - 004 - 10	GASKET,PLATEASE	1	*					
42	6902 - 050 - 816 - 00	BOLT	3	*					
43	6211 - 319 - 003 - 00	SPACER	1	*					
44	V723 - 102 - 005 - 00	O - RING 1A S50	1	*					
45	6209 - 749 - 001 - 10	PIN,TUBE	2	*					
46	6904 - 110 - 822 - 00	STUD	1	*					
47	6212 - 530 - 005 - 10	SHAFT/HYDRAULIC ASSY	1	*					
48	V600 - 110 - 600 - 50	BEARING,RB/6005	2	*					
49	6909 - 110 - 408 - 00	NUT/M8	4	*					
50	6909 - 150 - 508 - 00	WASHER	4	*					

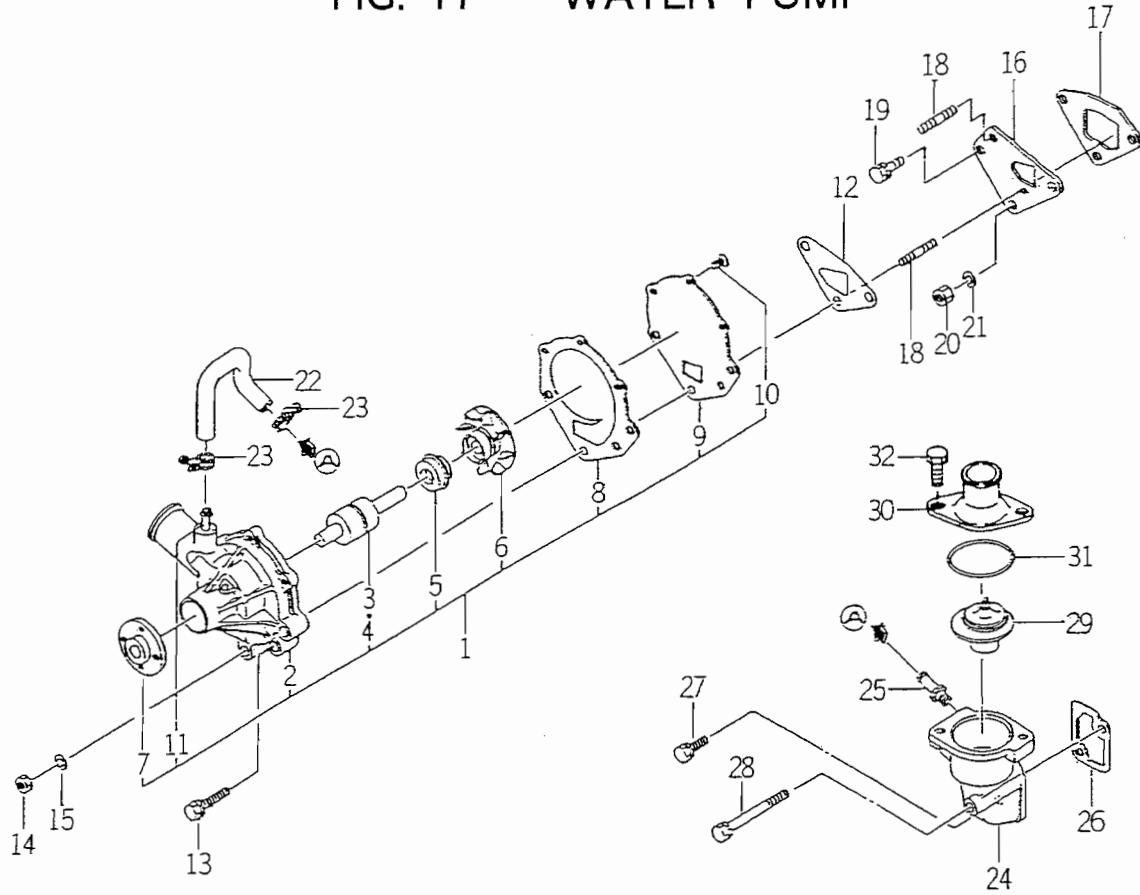
FIG. 11 VALVE



6004-301

KEY	PART CODE	DESCRIPTION	QTY	TYPE OF MODEL		I T C	C O L	G R P	REMARKS
				E3100 B07					
1	6212 - 551 - 001 - 00	VALVE,INTAKE	3	*					
2	6212 - 552 - 001 - 00	VALVE,EXHAUST	3	*					
3	6212 - 561 - 001 - 00	SPRING,VALVE	6	*					
4	6212 - 563 - 001 - 00	SEAT,VALVE SPRING	6	*					
5	6212 - 565 - 001 - 00	CUTTER,VALVE	12	*					
6	6212 - 571 - 001 - 10	TAPPET	6	*					
7	6212 - 575 - 002 - 00	ROD,PUSH	6	*					
8	6212 - 600 - 002 - 00	SHAFT,ROCKER ASSY	1	*					
9	6212 - 611 - 004 - 10	ROCKERARM	6	*					
10	6212 - 620 - 001 - 10	SHAFT,ROCKER ARM ASSY	1	*					
11	6212 - 621 - 002 - 10	SHAFT,ROCKERARM	1	*					
12	6212 - 626 - 002 - 10	PLUG	2	*					
13	6212 - 628 - 004 - 00	BRACKET ROCKER SHAFT	2	*					
14	6212 - 628 - 005 - 00	BRACKET,ROCKER SHAFT	1	*					
15	6209 - 940 - 004 - 00	SPRING	2	*					
16	V704 - 140 - 016 - 00	RING,SNAP/16 C	2	*					
17	6212 - 616 - 002 - 00	SCREW ADJUST	6	*					
18	6209 - 409 - 003 - 00	NUT	6	*					
19	6209 - 000 - 002 - 00	BOLT	1	*					
20	6901 - 050 - 850 - 00	BOLT/M8X45	1	*					
21	6909 - 110 - 508 - 00	NUT/M8	2	*					
22	6909 - 164 - 508 - 00	WASHER,PL/M8	3	*					

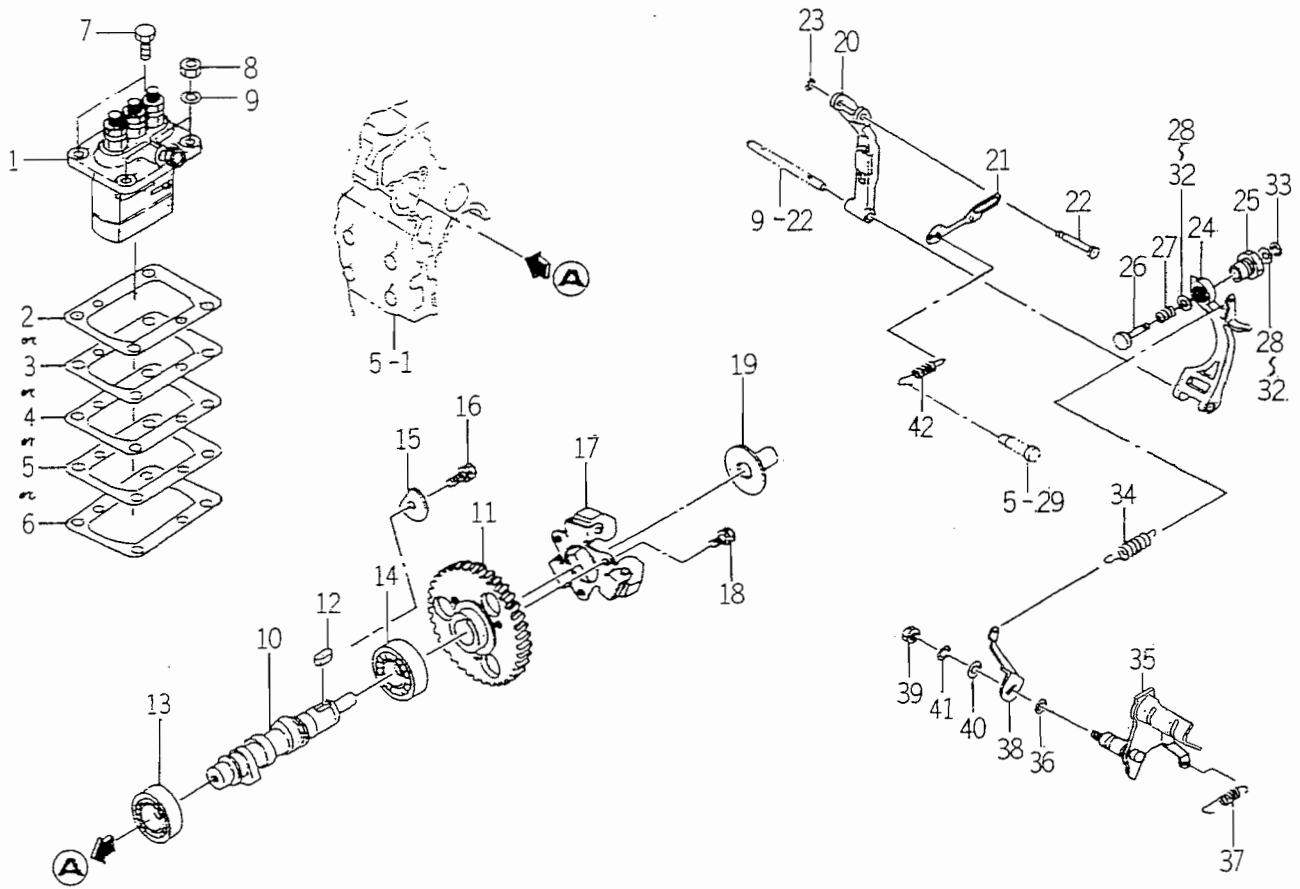
FIG. 17 WATER PUMP



6604-420

KEY	PART CODE	DESCRIPTION	QTY	TYPE OF MODEL		I T C	C O L	G R P	REMARKS
				E3100	B07				
1	6213 - 610 - 005 - 30	WATERPUMP ASSY	1	*					
2	6213 - 611 - 003 - 20	BODY/WATERPUMP	1	*					
3	6213 - 631 - 002 - 00	BEARING/WATER PUMP	1	*					
4	6213 - 631 - 005 - 00	BEARING/WATERPUMP	1	*					
5	6213 - 622 - 002 - 10	SEAL SET/WATER PUMP	1	*					
6	6213 - 621 - 003 - 00	ROTOR/WATERPUMP	1	*					
7	6213 - 642 - 002 - 00	SEAL/WATER PUMPPULLE	1	*					
8	6213 - 613 - 002 - 10	GASKET	1	*					
9	6213 - 612 - 004 - 00	PLATE/WATER PUMP	1	*					
10	6213 - 619 - 003 - 00	SCREW/WATER PUMP	3	*					
11	6213 - 619 - 002 - 00	PIPE/WATER PUMP	1	*					
12	6213 - 614 - 003 - 10	GASKET/WATER PUMP	1	*					
13	6901 - 910 - 845 - 00	BOLT,SEMS/M8X45	1	*					
14	6909 - 110 - 508 - 00	NUT/M8	2	*					
15	6909 - 150 - 508 - 00	WASHER	2	*					
16	6213 - 619 - 001 - 00	SPACER,PUMP.WATER	1	*					
17	6213 - 614 - 004 - 10	GASKET,SPACER	1	*					
18	6904 - 110 - 840 - 00	STUD/M8X40	2	*					
19	V211 - 560 - 802 - 00	BOLT/M8X20	1	*					
20	6909 - 110 - 508 - 00	NUT/M8	1	*					
21	6909 - 150 - 508 - 00	WASHER	1	*					
22	6213 - 729 - 013 - 00	HOSE/RUBBER	1	*					
23	J061 - 210 - 015 - 00	CLAMP/WIRE/10 - 15	2	*					
24	6213 - 716 - 001 - 40	HOUSING/THERMOSTAT	1	*					
25	6213 - 721 - 003 - 00	PIPE,PUMP HOUSING	1	*					

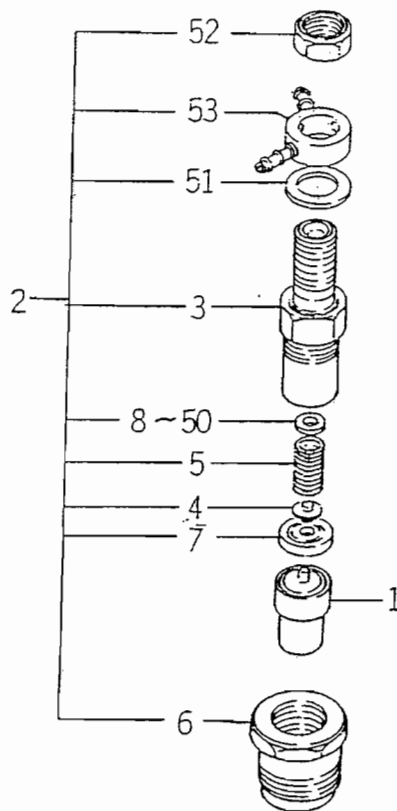
FIG. 20 INJECTION PUMP



ECC4-510J

KEY	PART CODE	DESCRIPTION	QTY	TYPE OF MODEL		I T C	C O L	G R P	REMARKS
				E3100 B07					
1	6215 - 600 - 110 - 00	INJECTIONPUMP ASSY	1	*					FIG 026
2	6219 - 752 - 006 - 00	SHIM/PUMP,INJ	1	*					
3	6219 - 752 - 007 - 00	SHIM/PUMP,INJ	1	*					
4	6219 - 752 - 008 - 00	SHIM/PUMP,INJ	1	*					
5	6219 - 752 - 009 - 00	SHIM/PUMP,INJ	1	*					
6	6219 - 752 - 010 - 00	SHIM/PUMP,INJ	1	*					
7	V201 - 360 - 802 - 00	BOLT/M8X20	2	*					
8	6909 - 110 - 508 - 00	NUT/M8	2	*					
9	6909 - 150 - 508 - 00	WASHER	2	*					
10	6215 - 621 - 002 - 30	SHAFT,CAM/INJ.PUMP	1	*					
11	6212 - 524 - 002 - 00	GEAR,INJ PUMP	1	*					
12	6908 - 000 - 716 - 00	KEY	1	*					
13	V600 - 110 - 620 - 30	BEARING,RB/6203	1	*					
14	V600 - 110 - 600 - 40	BEARING,RB/6004	1	*					
15	6212 - 535 - 002 - 00	PLATE,THRUST INJPUMP	1	*					
16	6901 - 910 - 612 - 00	BOLT,SEMS/M6X12	1	*					
17	6215 - 520 - 001 - 00	FLYWEIGHT	1	*					
18	6209 - 030 - 043 - 00	BOLT/M6X10	3	*					
19	6215 - 526 - 001 - 10	PIECE,THRUST	1	*					
20	6215 - 541 - 001 - 00	ARM,FLOATING	1	*					
21	6215 - 543 - 002 - 10	RINK/CONTROL	1	*					
22	6215 - 542 - 006 - 00	PIN,CONTROL	1	*					
23	V710 - 140 - 004 - 00	RING,SNAP/ 4 E	1	*					
24	6215 - 541 - 016 - 30	ARM/TENSION	1	*					
25	6215 - 549 - 028 - 00	CASE/ADAPTER	1	*					

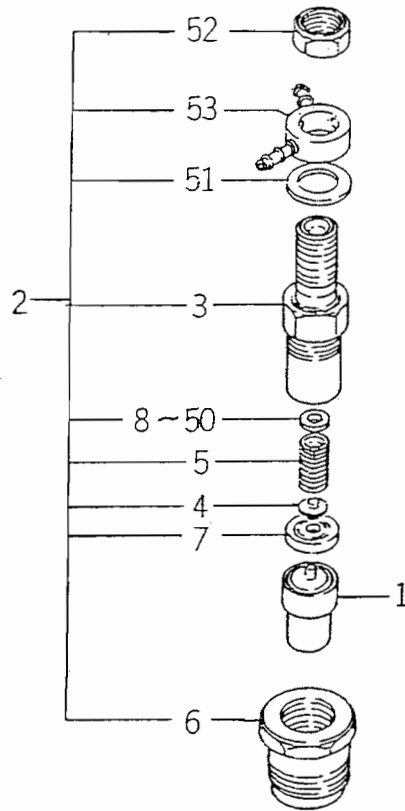
FIG. 24 COMPONENT PARTS FOR 6215 - 300 - 006 - 10 ON Fig.19



6215-3000

KEY	PART CODE	DESCRIPTION	QTY	TYPE OF MODEL		I T C	C O L	G R P	REMARKS
				E3100 B07					
1	6215 - 311 - 019 - 00	NOZZLE ASSY	2	*					
2	6215 - 330 - 004 - 00	HOLDER,NOZZLE ASSY	2	*					
3	6215 - 331 - 002 - 00	BODY,NOZZLE HOLDER	2	*					
4	6215 - 342 - 001 - 00	PIN,NOZZLE HOLDER	2	*					
5	6215 - 343 - 001 - 00	WASHER	2	*					
6	6215 - 332 - 004 - 00	NUT/NOZZLERETAINING	2	*					
7	6215 - 339 - 001 - 00	PIECE,DISTANCE	2	*					
8	6215 - 345 - 001 - 00	WASHER	2	*					
9	6215 - 345 - 002 - 00	WASHER	2	*					
10	6215 - 345 - 003 - 00	WASHER	2	*					
11	6215 - 345 - 004 - 00	WASHER	2	*					
12	6215 - 345 - 005 - 00	WASHER	2	*					
13	6215 - 345 - 006 - 00	WASHER	2	*					
14	6215 - 345 - 007 - 00	WASHER	2	*					
15	6215 - 345 - 008 - 00	WASHER	2	*					
16	6215 - 345 - 009 - 00	WASHER	2	*					
17	6215 - 345 - 010 - 00	WASHER	2	*					
18	6215 - 345 - 011 - 00	WASHER	2	*					
19	6215 - 345 - 012 - 00	WASHER	2	*					
20	6215 - 345 - 013 - 00	WASHER	2	*					
21	6215 - 345 - 014 - 00	WASHER	2	*					
22	6215 - 345 - 015 - 00	WASHER	2	*					
23	6215 - 345 - 016 - 00	WASHER	2	*					
24	6215 - 345 - 017 - 00	WASHER	2	*					
25	6215 - 345 - 018 - 00	WASHER	2	*					

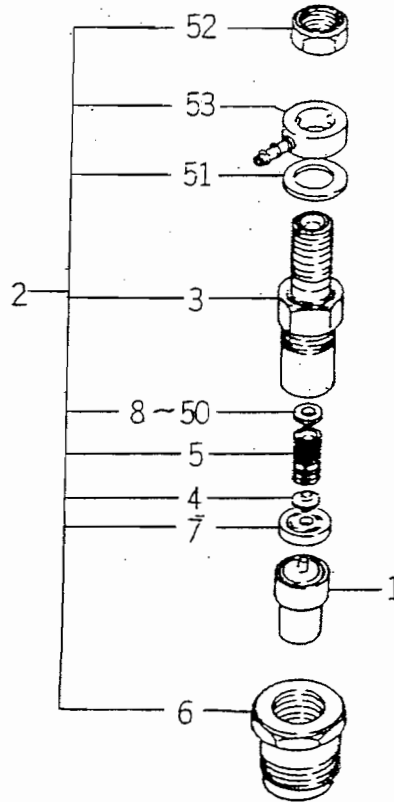
FIG. 24 COMPONENT PARTS FOR 6215 - 300 - 006 - 10 ON Fig.19



6215-3000

KEY	PART CODE	DESCRIPTION	QTY	TYPE OF MODEL		I T C	C O L	G R P	REMARKS
				E3100 B07					
26	6215 - 345 - 019 - 00	WASHER	2	*					
27	6215 - 345 - 020 - 00	WASHER	2	*					
28	6215 - 345 - 021 - 00	WASHER	2	*					
29	6215 - 345 - 022 - 00	WASHER	2	*					
30	6215 - 345 - 023 - 00	WASHER	2	*					
31	6215 - 345 - 024 - 00	WASHER	2	*					
32	6215 - 345 - 025 - 00	WASHER	2	*					
33	6215 - 345 - 026 - 00	WASHER	2	*					
34	6215 - 345 - 027 - 00	WASHER	2	*					
35	6215 - 345 - 028 - 00	WASHER	2	*					
36	6215 - 345 - 029 - 00	WASHER	2	*					
37	6215 - 345 - 030 - 00	WASHER	2	*					
38	6215 - 345 - 031 - 00	WASHER	2	*					
39	6215 - 345 - 032 - 00	WASHER	2	*					
40	6215 - 345 - 033 - 00	WASHER	2	*					
41	6215 - 345 - 034 - 00	WASHER	2	*					
42	6215 - 345 - 035 - 00	WASHER	2	*					
43	6215 - 345 - 036 - 00	WASHER	2	*					
44	6215 - 345 - 037 - 00	WASHER	2	*					
45	6215 - 345 - 038 - 00	WASHER	2	*					
46	6215 - 345 - 039 - 00	WASHER	2	*					
47	6215 - 345 - 040 - 00	WASHER	2	*					
48	6215 - 345 - 041 - 00	WASHER	2	*					
49	6215 - 345 - 042 - 00	WASHER	2	*					
50	6215 - 345 - 043 - 00	WASHER	2	*					

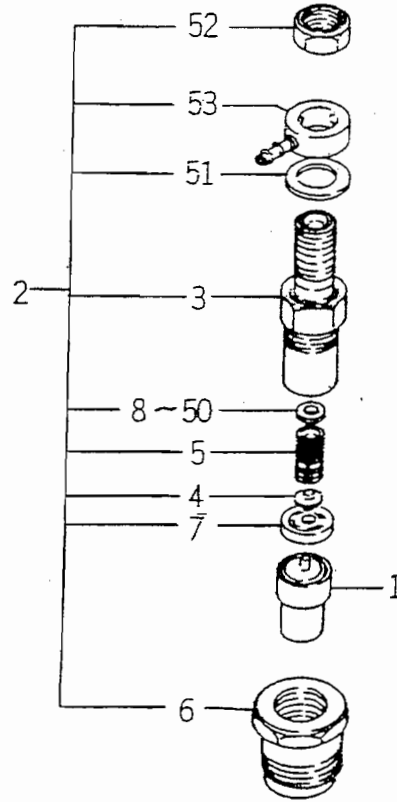
FIG. 25 COMPONENT PARTS FOR 6215 - 300 - 009 - 10 ON Fig.19



6215-3000

KEY	PART CODE	DESCRIPTION	QTY	TYPE OF MODEL		I T C	C O L	G R P	REMARKS
				E3100 B07					
1	6215 - 311 - 019 - 00	NOZZLE ASSY	1	*					
2	6215 - 330 - 003 - 00	HOLDER,NOZZLE	1	*					
3	6215 - 331 - 001 - 00	BODY,NOZZLE HOLDER	1	*					
4	6215 - 342 - 001 - 00	PIN,NOZZLE HOLDER	1	*					
5	6215 - 343 - 001 - 00	WASHER	1	*					
6	6215 - 332 - 004 - 00	NUT,NOZZLERETAINING	1	*					
7	6215 - 339 - 001 - 00	PIECE,DISTANCE	1	*					
8	6215 - 345 - 001 - 00	WASHER	1	*					
9	6215 - 345 - 002 - 00	WASHER	1	*					
10	6215 - 345 - 003 - 00	WASHER	1	*					
11	6215 - 345 - 004 - 00	WASHER	1	*					
12	6215 - 345 - 005 - 00	WASHER	1	*					
13	6215 - 345 - 006 - 00	WASHER	1	*					
14	6215 - 345 - 007 - 00	WASHER	1	*					
15	6215 - 345 - 008 - 00	WASHER	1	*					
16	6215 - 345 - 009 - 00	WASHER	1	*					
17	6215 - 345 - 010 - 00	WASHER	1	*					
18	6215 - 345 - 011 - 00	WASHER	1	*					
19	6215 - 345 - 012 - 00	WASHER	1	*					
20	6215 - 345 - 013 - 00	WASHER	1	*					
21	6215 - 345 - 014 - 00	WASHER	1	*					
22	6215 - 345 - 015 - 00	WASHER	1	*					
23	6215 - 345 - 016 - 00	WASHER	1	*					
24	6215 - 345 - 017 - 00	WASHER	1	*					
25	6215 - 345 - 018 - 00	WASHER	1	*					

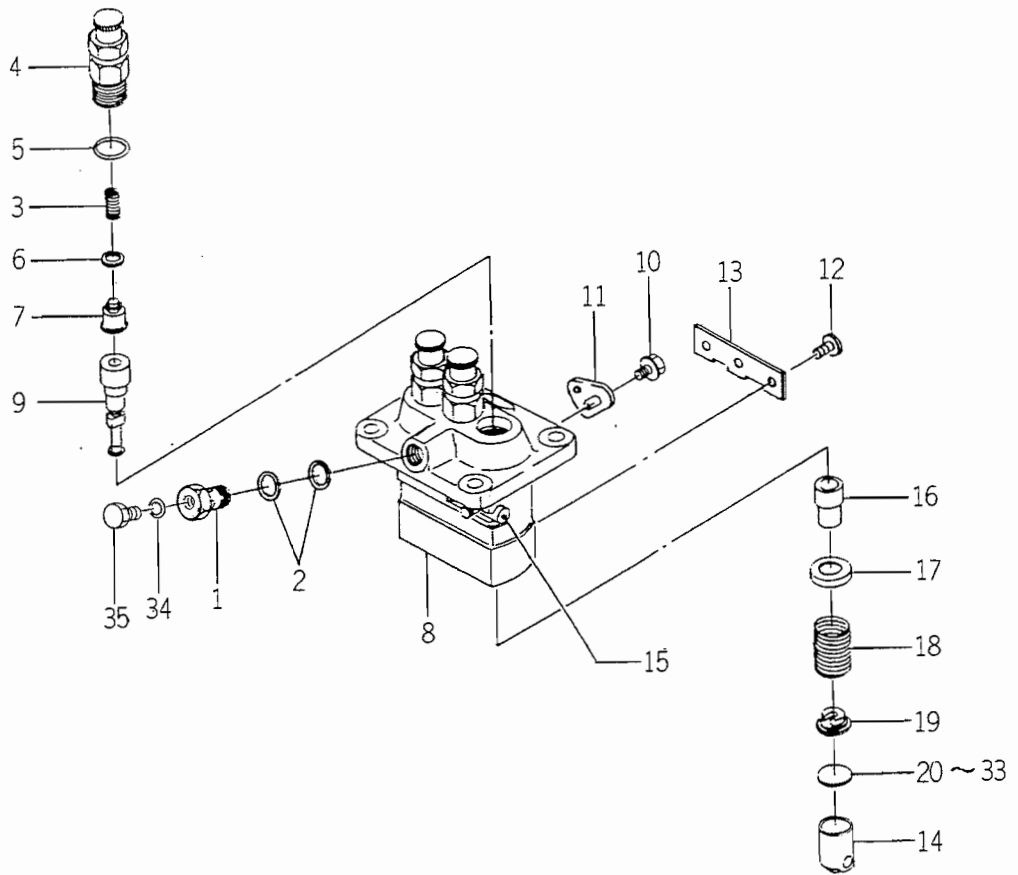
FIG. 25 COMPONENT PARTS FOR 6215 - 300 - 009 - 10 ON Fig.19



6215-3000

KEY	PART CODE	DESCRIPTION	QTY	TYPE OF MODEL		I T C	C O L	G R P	REMARKS
				E3100 B07					
26	6215 - 345 - 019 - 00	WASHER	1	*					
27	6215 - 345 - 020 - 00	WASHER	1	*					
28	6215 - 345 - 021 - 00	WASHER	1	*					
29	6215 - 345 - 022 - 00	WASHER	1	*					
30	6215 - 345 - 023 - 00	WASHER	1	*					
31	6215 - 345 - 024 - 00	WASHER	1	*					
32	6215 - 345 - 025 - 00	WASHER	1	*					
33	6215 - 345 - 026 - 00	WASHER	1	*					
34	6215 - 345 - 027 - 00	WASHER	1	*					
35	6215 - 345 - 028 - 00	WASHER	1	*					
36	6215 - 345 - 029 - 00	WASHER	1	*					
37	6215 - 345 - 030 - 00	WASHER	1	*					
38	6215 - 345 - 031 - 00	WASHER	1	*					
39	6215 - 345 - 032 - 00	WASHER	1	*					
40	6215 - 345 - 033 - 00	WASHER	1	*					
41	6215 - 345 - 034 - 00	WASHER	1	*					
42	6215 - 345 - 035 - 00	WASHER	1	*					
43	6215 - 345 - 036 - 00	WASHER	1	*					
44	6215 - 345 - 037 - 00	WASHER	1	*					
45	6215 - 345 - 038 - 00	WASHER	1	*					
46	6215 - 345 - 039 - 00	WASHER	1	*					
47	6215 - 345 - 040 - 00	WASHER	1	*					
48	6215 - 345 - 041 - 00	WASHER	1	*					
49	6215 - 345 - 042 - 00	WASHER	1	*					
50	6215 - 345 - 043 - 00	WASHER	1	*					

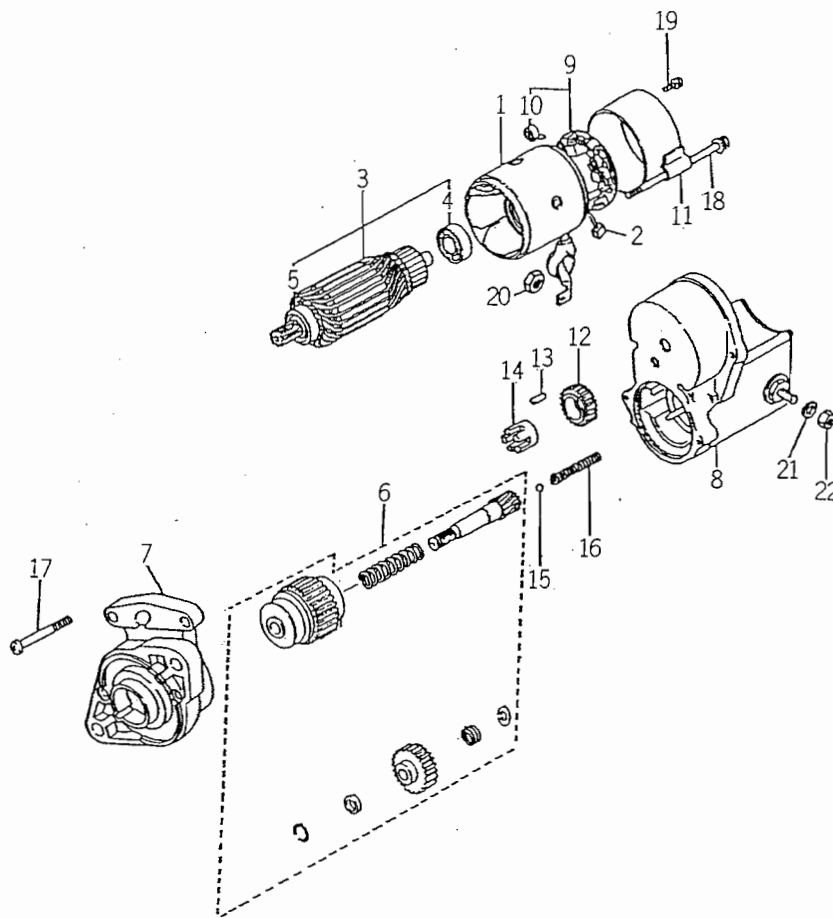
FIG. 26 COMPONENT PARTS FOR 6215 - 600 - 110 - 00 ON Fig.20



6215-6001

KEY	PART CODE	DESCRIPTION	QTY	TYPE OF MODEL		I T C	C O L	G R P	REMARKS
				E3100 B07					
1	6215 - 619 - 027 - 00	SCREW/HOLLOW	1	*					
2	6215 - 619 - 010 - 00	WASHER/AIR BLEEDER	2	*					
3	6215 - 643 - 001 - 00	SPRING/DELIVERYVALVE	3	*					
4	6215 - 644 - 008 - 00	HOLDER/DELIVERY VALV	3	*					
5	6215 - 649 - 001 - 00	ORING	3	*					
6	6215 - 649 - 002 - 00	GASKET/DELIVERYVALVE	3	*					
7	6215 - 641 - 001 - 00	VALVE ASSY	3	*					
8	6215 - 611 - 001 - 00	HOUSING ASSY	1	*					
9	6215 - 631 - 001 - 00	ELEMENT ASSY	3	*					
10	6215 - 619 - 022 - 00	BOLT/WASHERHEAD	2	*					
11	6215 - 612 - 001 - 00	PLATE/ADJUSTING	2	*					
12	6215 - 629 - 001 - 00	PIN/INJECTIONPUMP	3	*					
13	6215 - 629 - 002 - 00	PLATE	1	*					
14	6215 - 622 - 001 - 00	TAPPET/INJECTIO ASSY	3	*					
15	6215 - 637 - 001 - 00	RACK/CONTROL ASSY	1	*					
16	6215 - 635 - 001 - 00	SLEEVE/PLUNGER	3	*					
17	6215 - 639 - 004 - 00	SEAT/SPRING/UPPER	3	*					
18	6215 - 634 - 001 - 00	SPRING/PUMPPLUNGER	3	*					
19	6215 - 639 - 005 - 00	SEAT/SPRING/LOWER	3	*					
20	6215 - 629 - 003 - 00	PLATE/TAPPET/ADJUST	1	*					
21	6215 - 629 - 004 - 00	PLATE/TAPPET/ADJUST	1	*					
22	6215 - 629 - 005 - 00	PLATE/TAPPET/ADJUST	1	*					
23	6215 - 629 - 006 - 00	PLATE/TAPPET/ADJUST	1	*					
24	6215 - 629 - 007 - 00	PLATE/TAPPET/ADJUST	1	*					
25	6215 - 629 - 008 - 00	PLATE/TAPPET/ADJUST	1	*					

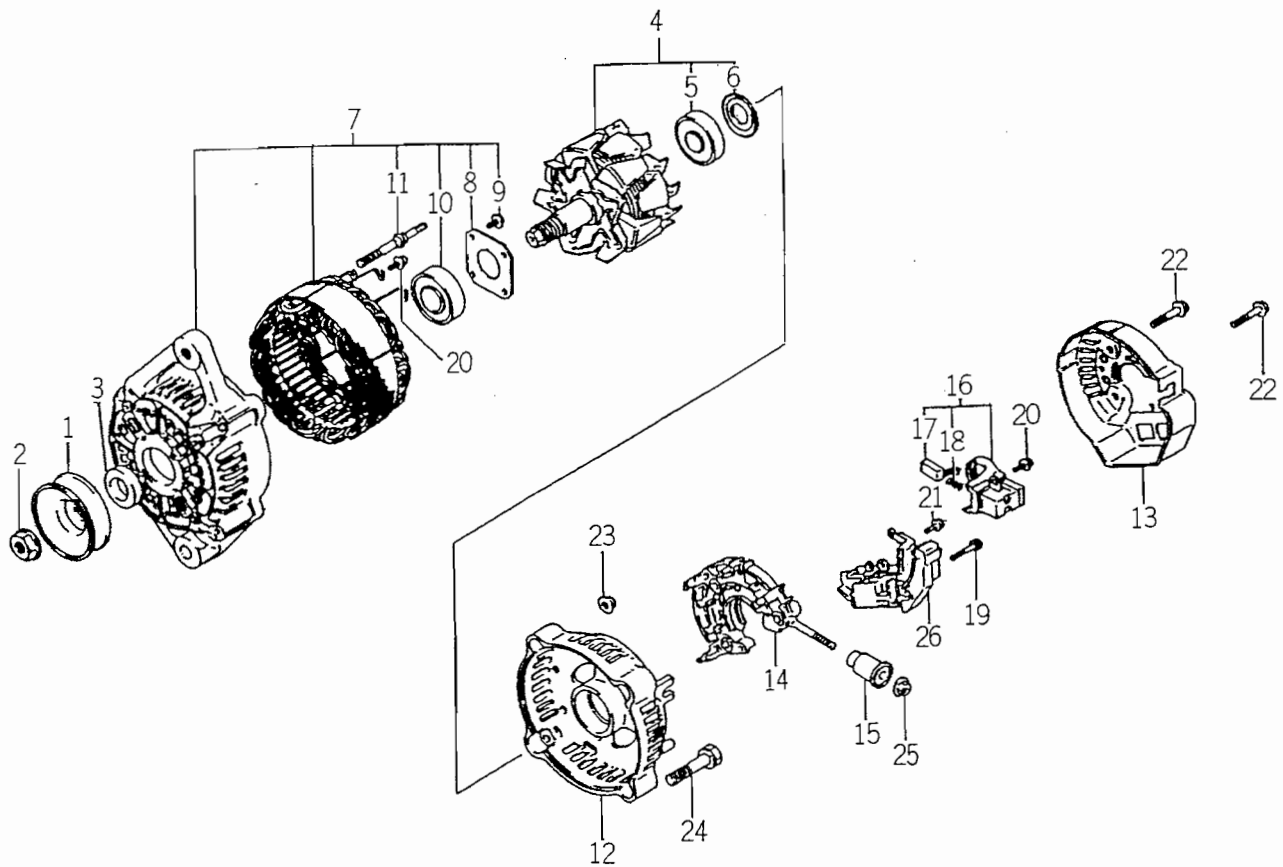
FIG. 27 COMPONENT PARTS FOR 6281 - 100 - 005 - 00 ON Fig.22



6281-1000

KEY	PART CODE	DESCRIPTION	QTY	TYPE OF MODEL		I T C	C O L	G R P	REMARKS
				E3100	807				
1	6281 - 111 - 002 - 00	YOKE/STARTER	1	*					
2	6281 - 116 - 002 - 00	STARTER KIT	2	*					
3	6281 - 121 - 003 - 00	ARMATURE	1	*					
4	6281 - 129 - 010 - 00	BEARING,BALL	1	*					
5	6281 - 129 - 011 - 00	BEARING,BALL	1	*					
6	6281 - 124 - 001 - 00	STARTER KIT	1	*					
7	6281 - 129 - 020 - 00	HOUSING,STARTER ASSY	1	*					
8	6281 - 151 - 005 - 00	SWITCH,STARTER ASSY	1	*					
9	6281 - 118 - 002 - 00	HOLDER BRUSH ASSY	1	*					
10	6581 - 117 - 007 - 00	SPRING,BRUSH	4	*					
11	6281 - 115 - 005 - 00	FRAME,STARTER END	1	*					
12	6581 - 123 - 011 - 00	PINION,STARTER	1	*					
13	6581 - 129 - 099 - 00	RORA	5	*					
14	6581 - 129 - 100 - 00	RETAINER	1	*					
15	6581 - 129 - 092 - 00	BALL	1	*					
16	6581 - 129 - 096 - 00	SPRING	1	*					
17	6281 - 129 - 006 - 00	SCREW	2	*					
18	6281 - 129 - 008 - 00	BOLT/WS	2	*					
19	6281 - 129 - 009 - 00	SCREW/WS	2	*					
20	6909 - 111 - 508 - 00	NUT	1	*					
21	6909 - 150 - 508 - 00	WASHER	1	*					
22	6909 - 110 - 408 - 00	NUT/M8	1	*					

FIG. 28 COMPONENT PARTS FOR 6281 - 200 - 005 - 00 ON Fig.22

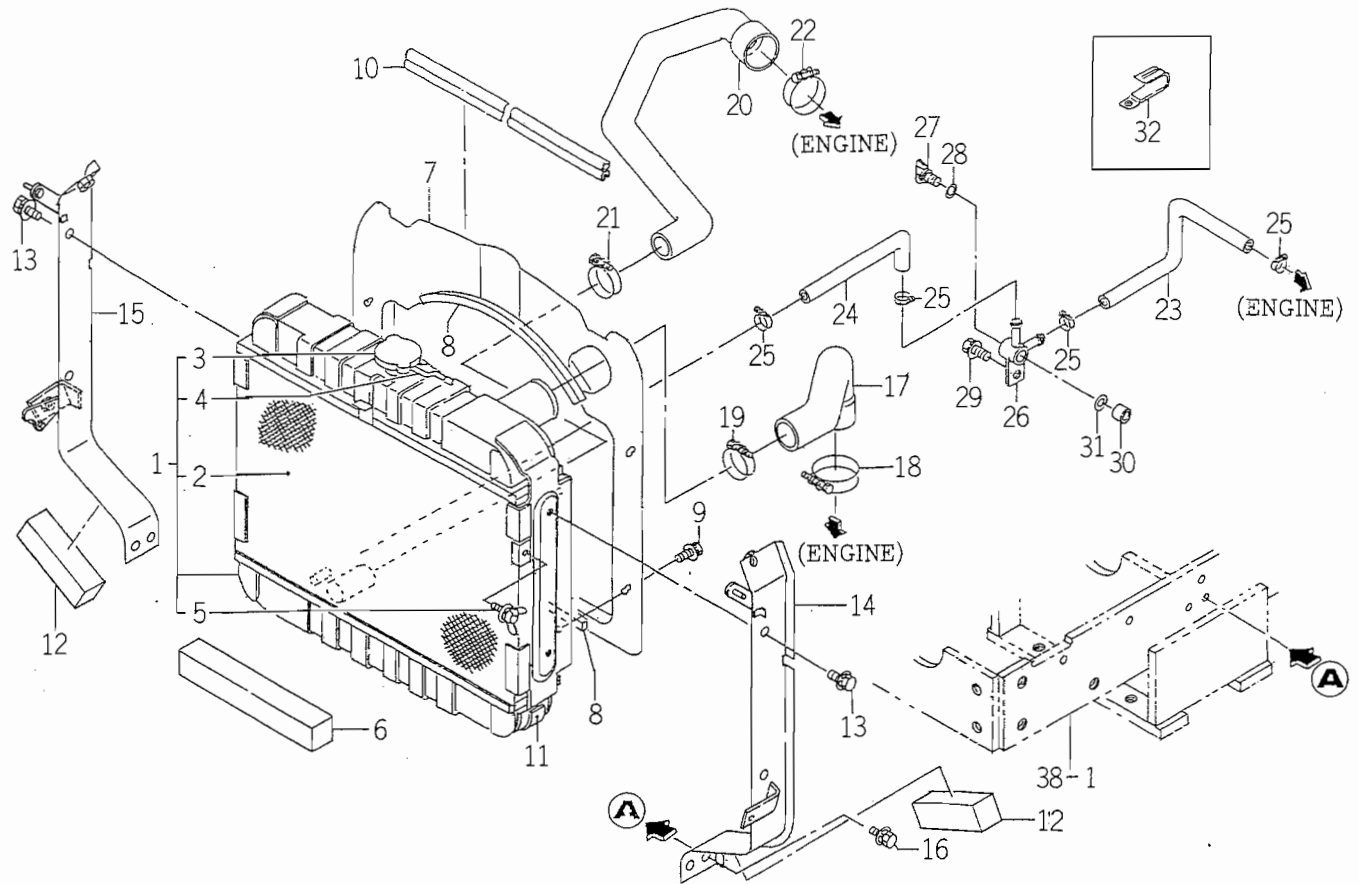


6281-2000

KEY	PART CODE	DESCRIPTION	QTY	TYPE OF MODEL		I T C	C O L	G R P	REMARKS
				E3100 807					
1	6281 - 222 - 004 - 00	PULLEY	1	*					
2	6281 - 229 - 002 - 00	NUT	1	*					
3	6281 - 229 - 003 - 00	COLLOR	1	*					
4	6281 - 221 - 001 - 00	ROTOR ASSY	1	*					
5	6281 - 229 - 005 - 00	BEARING	1	*					
6	6281 - 229 - 004 - 00	COVER,BEARING	1	*					
7	6281 - 213 - 006 - 00	FRAME ASSY	1	*					
8	6281 - 229 - 006 - 00	PLATE	1	*					
9	6281 - 229 - 007 - 00	BOLT	4	*					
10	6281 - 229 - 009 - 00	BEARING	1	*					
11	6281 - 229 - 008 - 00	BOLT	2	*					
12	6281 - 214 - 003 - 00	FRAME	1	*					
13	6281 - 214 - 004 - 00	COVER	1	*					
14	6281 - 229 - 029 - 00	HOLDER ASSY	1	*					
15	6281 - 229 - 011 - 00	BUSH	1	*					
16	6281 - 217 - 001 - 00	HOLDER,BRUSH ASSY	1	*					
17	6281 - 215 - 001 - 00	BRUSH	2	*					
18	6281 - 216 - 001 - 00	SPRING	2	*					
19	6281 - 229 - 012 - 00	BOLT	2	*					
20	6281 - 229 - 013 - 00	BOLT	6	*					
21	6281 - 229 - 014 - 00	BOLT	1	*					
22	6281 - 229 - 015 - 00	BOLT	3	*					
23	6281 - 229 - 016 - 00	NUT	2	*					
24	6281 - 229 - 017 - 00	BOLT	2	*					
25	6281 - 229 - 018 - 00	NUT	1	*					

CHASSIS

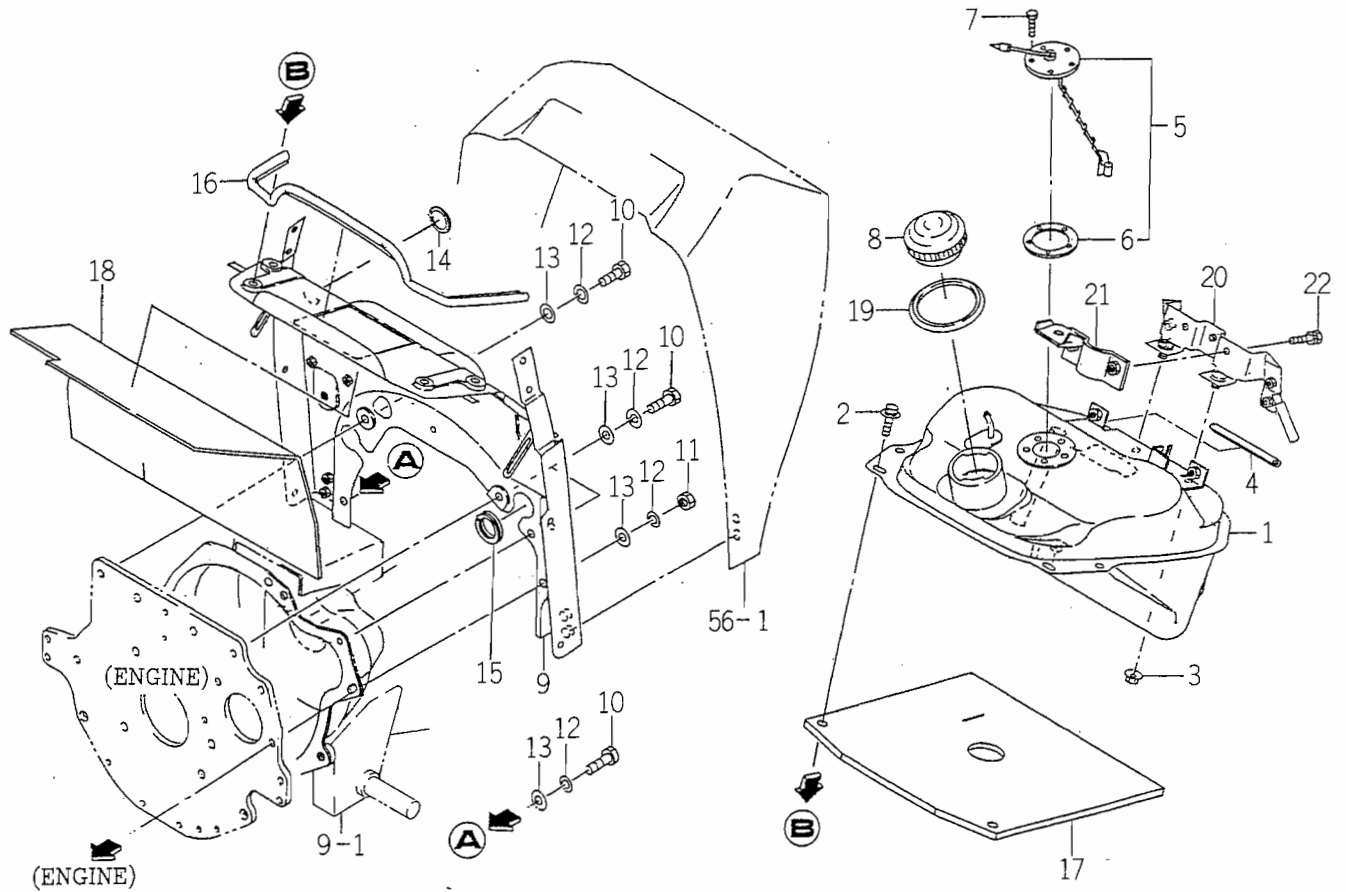
FIG. 1 RADIATOR SYSTEM



1583-102

KEY	PART CODE	DESCRIPTION	QTY	TYPE OF MODEL		I T C	C O L	G R P	REMARKS
				TM215H	TM217H				
1	1675 - 102 - 200 - 00	RADIATOR ASSY	1	*	*				
2	1637 - 102 - 202 - 00	NET/WIRE COMP	1	*	*				
3	1614 - 102 - 213 - 00	CAP	1	*	*				
4	1614 - 102 - 214 - 00	HOSE	1	*	*				
5	V273 - 360 - 601 - 20	BOLT/WING/SP	1	*	*				
6	1682 - 102 - 003 - 00	INSULATOR/15X20X420	1	*	*				
7	1683 - 102 - 002 - 00	SHROUD	1	*	*				
8	1675 - 102 - 002 - 00	INSULATOR	2	*	*				
9	V210 - 360 - 601 - 20	BOLT,SEMS	4	*	*				
10	1612 - 111 - 001 - 00	INSULATOR	1	*	*				
11	1612 - 102 - 005 - 00	INSULATOR	1	*	*				
12	1672 - 102 - 004 - 00	INSULATOR	2	*	*				
13	V211 - 360 - 801 - 60	BOLT,SEMS (SP)	4	*	*				
14	1683 - 102 - 200 - 20	PLATE/LH COMP	1	*	*				
15	1683 - 102 - 210 - 20	PLATE/RH COMP	1	*	*				
16	V211 - 360 - 801 - 60	BOLT,SEMS (SP)	4	*	*				
17	1675 - 102 - 004 - 00	HOSE/RADIATOR/INLET	1	*	*				
18	J061 - 236 - 044 - 00	CLAMP/WIRE/36 - 44	1	*	*				
19	J061 - 230 - 038 - 00	CLAMP/WIRE/30 - 38	1	*	*				
20	1675 - 102 - 006 - 00	HOSE/RADIATOR/OUTLET	1	*	*				
21	J061 - 224 - 032 - 00	CLAMP/WIRE/24 - 32	1	*	*				
22	J061 - 236 - 044 - 00	CLAMP/WIRE/36 - 44	1	*	*				
23	1682 - 102 - 004 - 00	HOSE/250	1	*	*				
24	1593 - 102 - 004 - 20	HOSE/210	1	*	*				
25	J061 - 210 - 015 - 00	CLAMP/WIRE/10 - 15	4	*	*				

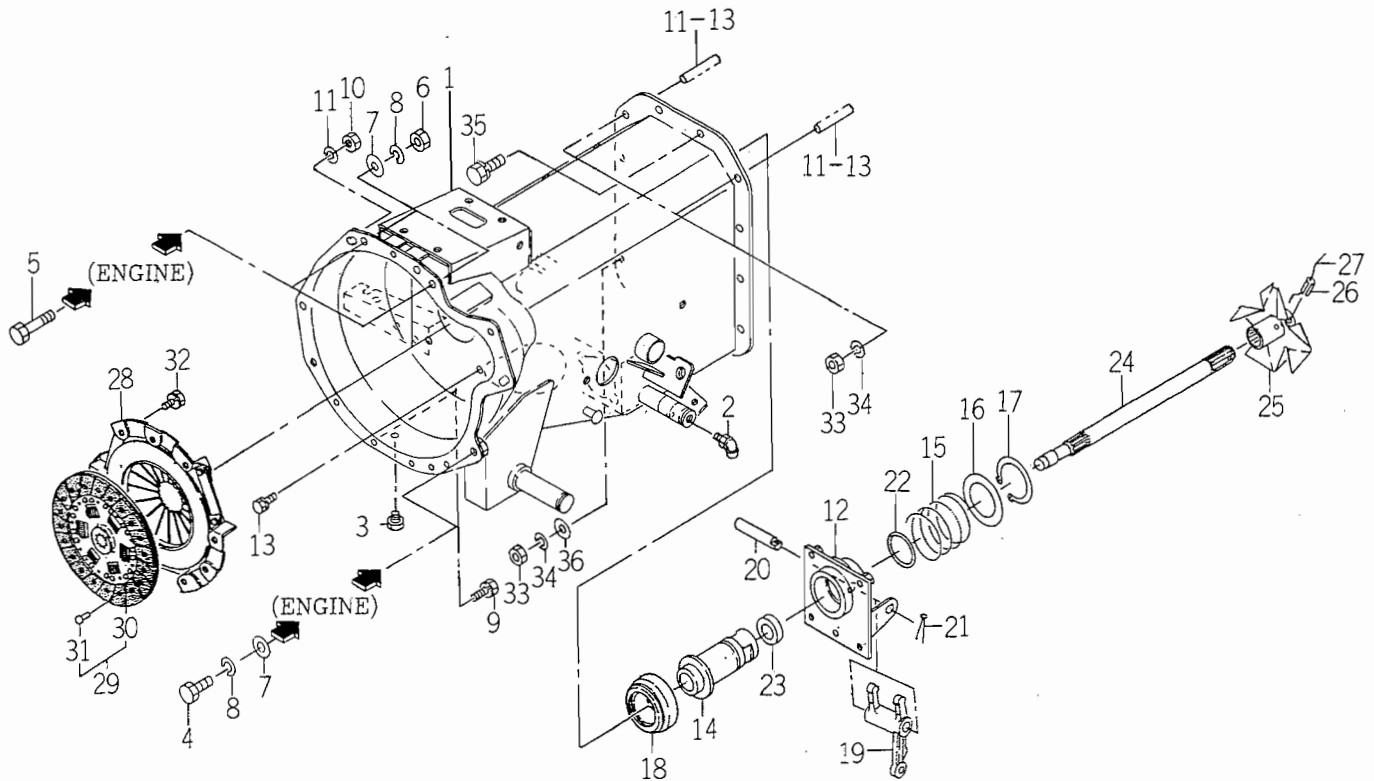
FIG. 6 FUEL TANK SYSTEM



1682-111

KEY	PART CODE	DESCRIPTION	QTY	TYPE OF MODEL		I T C	C O L	G R P	REMARKS
				TM215H	TM217H				
1	1672 - 111 - 200 - 00	TANK/FUEL COMP	1	*	*				
2	V211 - 360 - 801 - 60	BOLT,SEMS (SP)	2	*	*				
3	V363 - 260 - 008 - 00	NUT,LOCK/M8	2	*	*				
4	1672 - 111 - 002 - 00	PAD/120	1	*	*				
5	1672 - 111 - 210 - 10	GAUGE/FUEL ASSY	1	*	*				
6	1416 - 621 - 037 - 00	PACKING/RUBBER	1	*	*				
7	V200 - 260 - 501 - 0B	BOLT/SEAL	5	*	*				
8	1682 - 111 - 300 - 00	CAP/FUEL ASSY	1	*	*				
9	1682 - 111 - 210 - 00	BRACKET/TANK COMP	1	*	*				
10	V203 - 361 - 002 - 00	BOLT/M10X1.25X20	4	*	*				
11	V334 - 460 - 010 - 00	NUT/M10 7T P = 1.25	1	*	*				
12	V401 - 160 - 010 - 00	WASHER,SP/M10	5	*	*				
13	V411 - 260 - 010 - 00	WASHER/M10	5	*	*				
14	1600 - 616 - 006 - 00	INSULATOR/75	1	*	*				
15	1612 - 690 - 001 - 00	INSULATOR/36	2	*	*				
16	1612 - 111 - 001 - 00	INSULATOR	1	*	*				
17	1612 - 111 - 002 - 10	INSULATOR	1	*	*				
18	1672 - 111 - 001 - 00	INSULATOR/TANK	1	*	*				
19	1560 - 111 - 003 - 20	COVER	1	*	*				
20	1612 - 111 - 230 - 10	BRACKET/TANK COMP	1	*	*				
21	1672 - 111 - 230 - 00	BRACKET/LEVER COMP	1	*	*				
22	V211 - 260 - 802 - 00	BOLT,SEMS (S)	2	*	*				

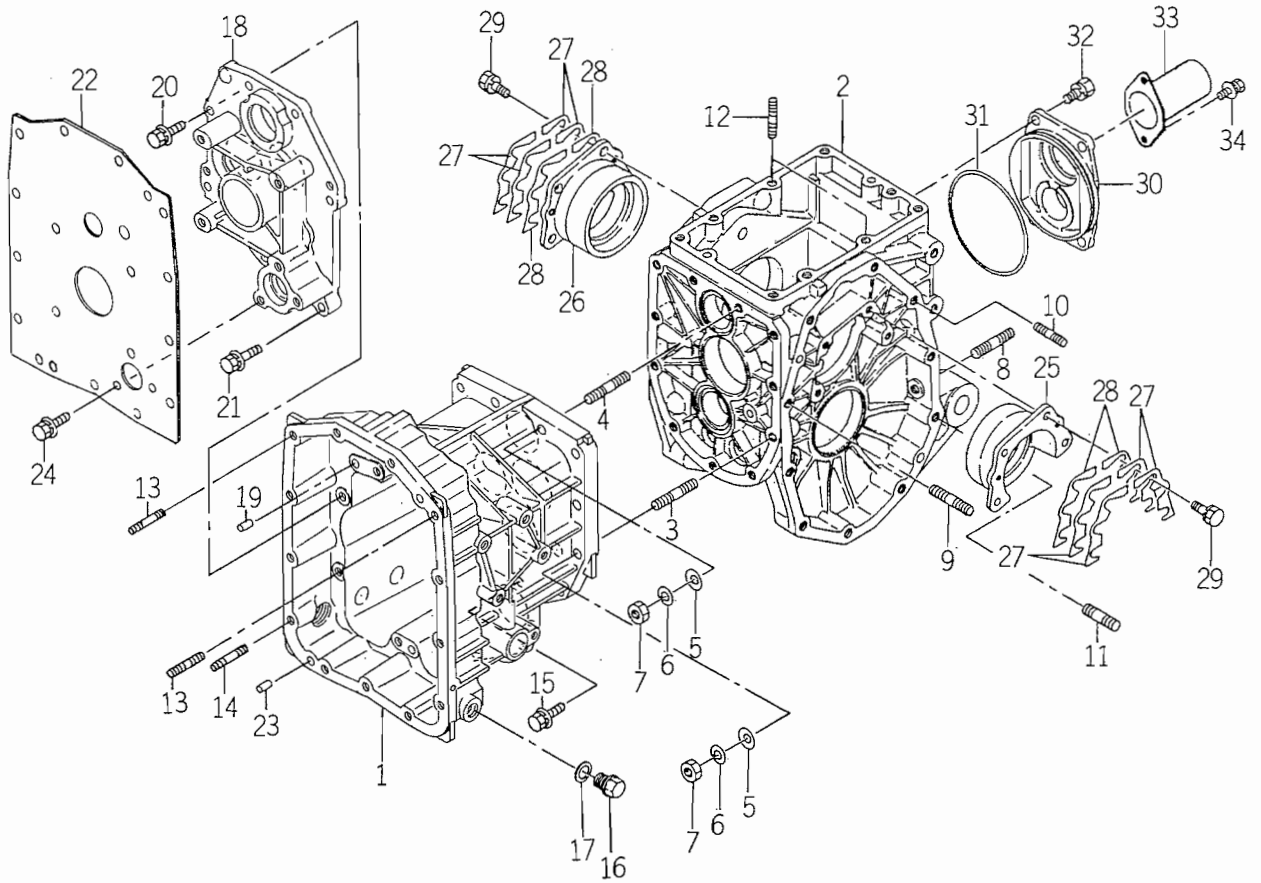
FIG. 9 CLUTCH SYSTEM



1683-120

KEY	PART CODE	DESCRIPTION	QTY	TYPE OF MODEL		I T C	C O L	G R P	REMARKS
				TM215H	TM217H				
1	1683 - 120 - 500 - 10	HOUSING/CLUTCH COMP	1	*	*				
2	V761 - 150 - 000 - 00	NIPPLE/GREASE	1	*	*				
3	1326 - 706 - 002 - 10	PLUG,DRAIN	1	*	*				
4	V201 - 361 - 202 - 50	BOLT/M12X25	2	*	*				
5	V201 - 361 - 204 - 00	BOLT/M12X40	2	*	*				
6	V304 - 460 - 012 - 00	NUT/M12	2	*	*				
7	V411 - 260 - 012 - 00	WASHER /M12	4	*	*				
8	V401 - 160 - 012 - 00	WASHER,SP/M12	4	*	*				
9	V211 - 260 - 801 - 60	BOLT,SEMS (S) M8X16	4	*	*				
10	V334 - 460 - 010 - 00	NUT/M10 7T P= 1.25	2	*	*				
11	V401 - 160 - 010 - 00	WASHER,SP/M10	2	*	*				
12	1672 - 120 - 220 - 00	HOLDER/SLEEVE COMP	1	*	*				
13	V211 - 260 - 801 - 60	BOLT,SEMS (S) M8X16	4	*	*				
14	1672 - 120 - 002 - 10	SLEEVE	1	*	*				
15	1672 - 120 - 003 - 00	SPRING/HC64	1	*	*				
16	1672 - 120 - 004 - 00	WASHER/46X70X2	1	*	*				
17	V706 - 140 - 045 - 00	RING/SNAP	1	*	*				
18	1491 - 120 - 001 - 00	BEARING,CLUTCH RS	1	*	*				
19	1435 - 122 - 002 - 00	FORK/RELEASE	1	*	*				
20	1672 - 120 - 006 - 00	PIN/12X75	1	*	*				
21	V500 - 163 - 002 - 00	PIN,SPLIT/3 X20	1	*	*				
22	V721 - 103 - 104 - 50	O - RING/G45	1	*	*				
23	V744 - 120 - 350 - 70	SEAL,OIL/TC20357	1	*	*				
24	1683 - 120 - 051 - 00	SHAFT/INPUT	1	*	*				
25	1683 - 120 - 530 - 10	FAN/HST COMP	1	*	*				

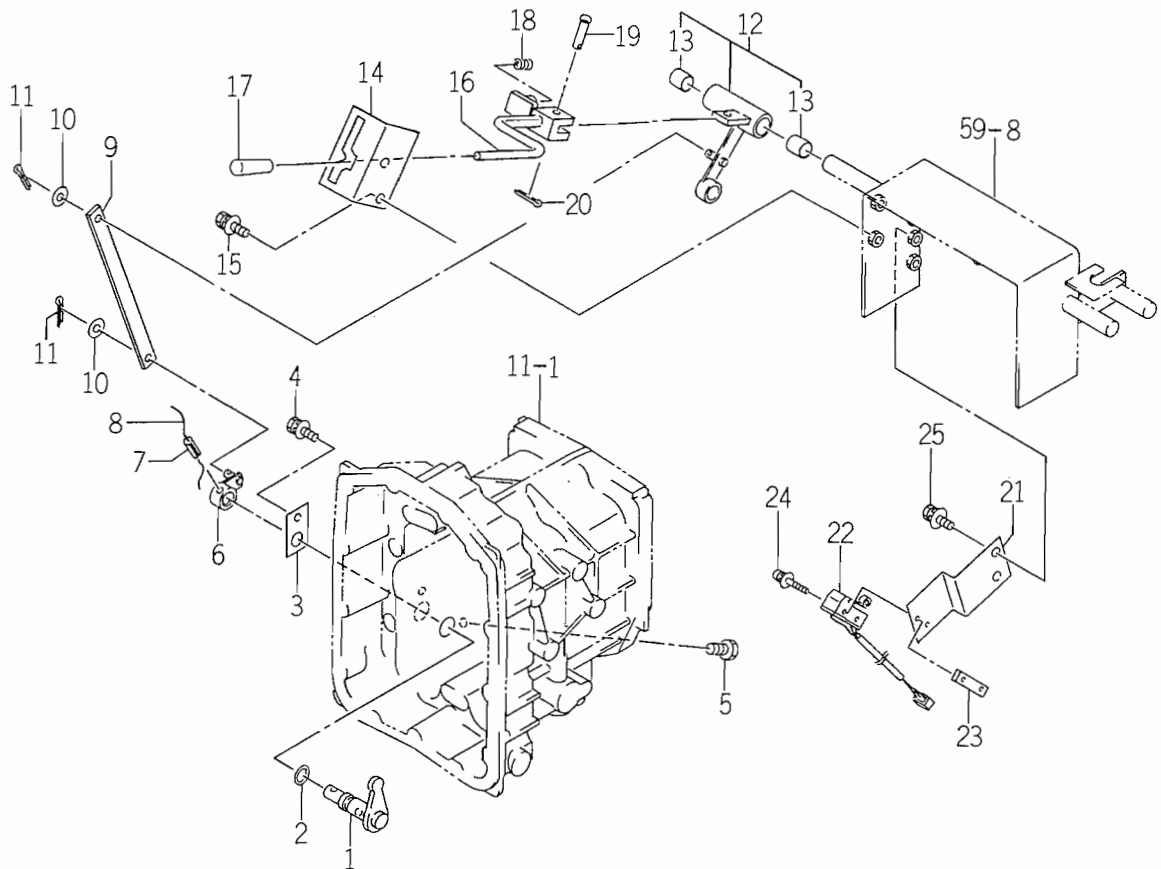
FIG. 11 TRANSMISSION CASE SYSTEM



1683-201

KEY	PART CODE	DESCRIPTION	QTY	TYPE OF MODEL		I T C	C O L	G R P	REMARKS
				TM215H	TM217H				
1	1683 - 201 - 051 - 00	CASE/TRANSMISSION/HS	1	*	*				
2	1427 - 201 - 002 - 50	CASE/TRANSMISSION/RE	1	*	*				
3	V252 - 341 - 003 - 50	BOLT/M10X35	8	*	*				
4	V251 - 341 - 003 - 5C	BOLT/STUD/SEAL	2	*	*				
5	V411 - 260 - 010 - 00	WASHER/M10	10	*	*				
6	V401 - 160 - 010 - 00	WASHER,SP/M10	10	*	*				
7	V304 - 260 - 010 - 00	NUT	10	*	*				
8	V251 - 261 - 202 - 5C	BOLT/STUD/SEAL	2	*	*				
9	V252 - 261 - 004 - 00	BOLT/STUD	2	*	*				
10	V252 - 261 - 005 - 50	BOLT/M10X55	2	*	*				
11	V252 - 261 - 204 - 50	BOLT/M12X45	2	*	*				
12	V252 - 341 - 003 - 00	BOLT/STUD	2	*	*				
13	V252 - 341 - 002 - 00	BOLT/STUD	2	*	*				
14	V251 - 341 - 002 - 50	BOLT/STUD	1	*	*				
15	V211 - 661 - 005 - 00	BOLT/SP	1	*	*				
16	1427 - 201 - 007 - 00	PLUG,DRAIN	1	*	*				
17	1427 - 201 - 008 - 00	WASHER,SEAL/16	1	*	*				
18	1683 - 201 - 052 - 10	METAL/HST	1	*	*				
19	V523 - 101 - 002 - 40	PIN	2	*	*				
20	V211 - 661 - 003 - 50	BOLT/SP	6	*	*				
21	V211 - 661 - 004 - 00	BOLT/SP	1	*	*				
22	1683 - 201 - 053 - 10	PLATE/COVER	1	*	*				
23	1421 - 433 - 004 - 00	PIN,KNOCK	2	*	*				
24	V211 - 660 - 802 - 00	BOLT/8X20	2	*	*				
25	1427 - 201 - 012 - 00	METAL,DIFF - CASE LH	1	*	*				

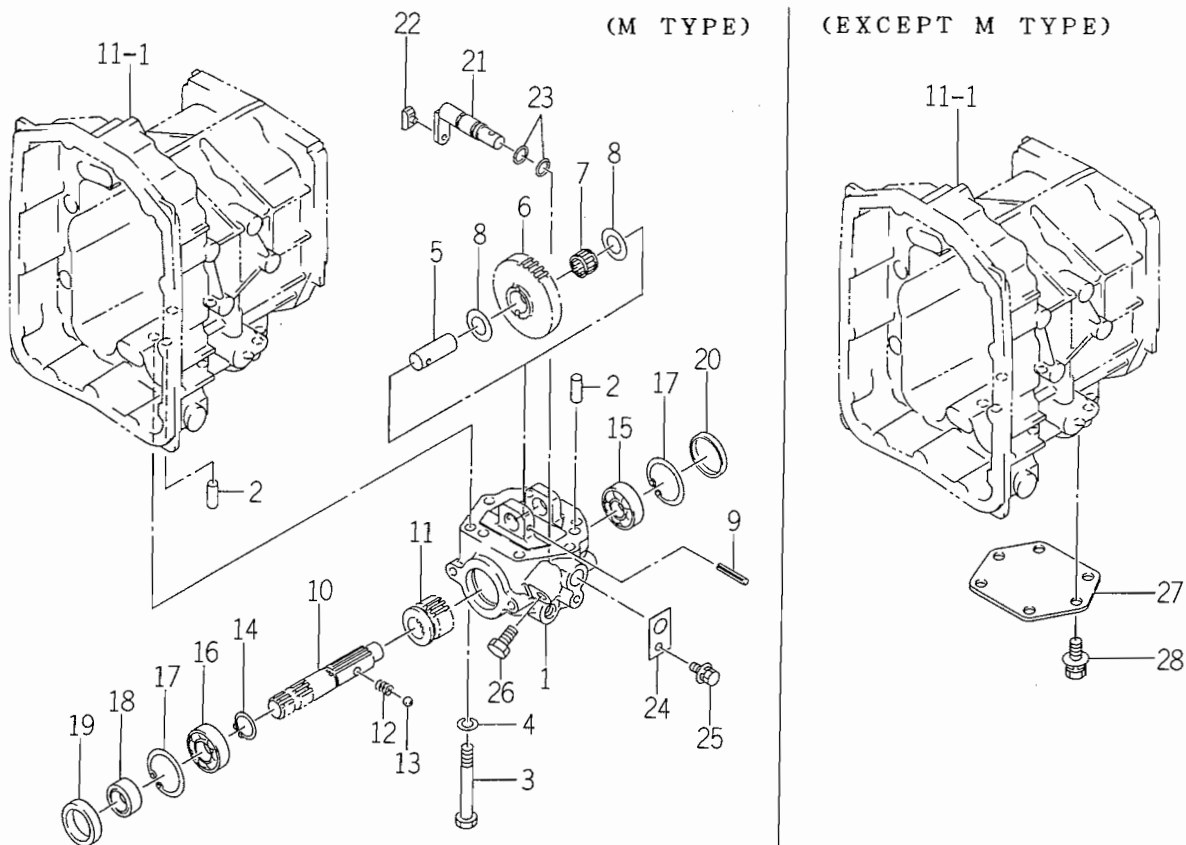
FIG. 20 PTO LEVER SYSTEM



1683-216

KEY	PART CODE	DESCRIPTION	QTY	TYPE OF MODEL		I T C	C O L	G R P	REMARKS
				TM215H	TM27H				
1	1683 - 208 - 500 - 00	PIN/SHIFT COMP	1	*	*				
2	V720 - 102 - 401 - 40	O - RING/P14	2	*	*				
3	1620 - 255 - 208 - 00	PLATE/1/30X50	1	*	*				
4	V211 - 360 - 801 - 60	BOLT,SEMS (SP)	1	*	*				
5	V203 - 261 - 202 - 00	BOLT/M12X20	1	*	*				
6	1683 - 209 - 520 - 00	ARM/SHIFT COMP	1	*	*				
7	V580 - 140 - 602 - 50	PIN,SPRING/6 X25 W	1	*	*				
8		WIRE	1	*	*				
9	1683 - 216 - 052 - 00	PLATE/1/19X254	1	*	*				
10	V411 - 260 - 008 - 00	WASHER,PL/M 8	2	*	*				
11	V500 - 163 - 002 - 00	PIN,SPLIT/3 X20	2	*	*				
12	1683 - 216 - 520 - 00	ARM/PTO ASSY	1	*	*				
13	3668 - 612 - 001 - 00	BUSH	2	*	*				
14	1683 - 216 - 051 - 10	GUIDE/CHANGE	1	*	*				
15	V211 - 360 - 802 - 00	BOLT (SP) M8X20	2	*	*				
16	1683 - 216 - 500 - 00	LEVER/PTO COMP	1	*	*				
17	2101 - 230 - 001 - 00	KNOB	1	*	*				
18	2149 - 601 - 031 - 00	SPRING/HCO24	1	*	*				
19	2144 - 519 - 007 - 00	PIN/06X31	1	*	*				
20	V500 - 162 - 502 - 00	PIN,SPLIT/2.5X20	1	*	*				
21	1683 - 216 - 053 - 00	PLATE/Z/53X134	1	*	*				
22	1560 - 664 - 270 - 00	SWITCH/LIMIT ASSY	1	*	*				
23	3656 - 271 - 001 - 00	PLATE/1,13X40	1	*	*				
24	V120 - 364 - 002 - 50	SCREW/SP	2	*	*				
25	V211 - 360 - 802 - 00	BOLT (SP) M8X20	2	*	*				

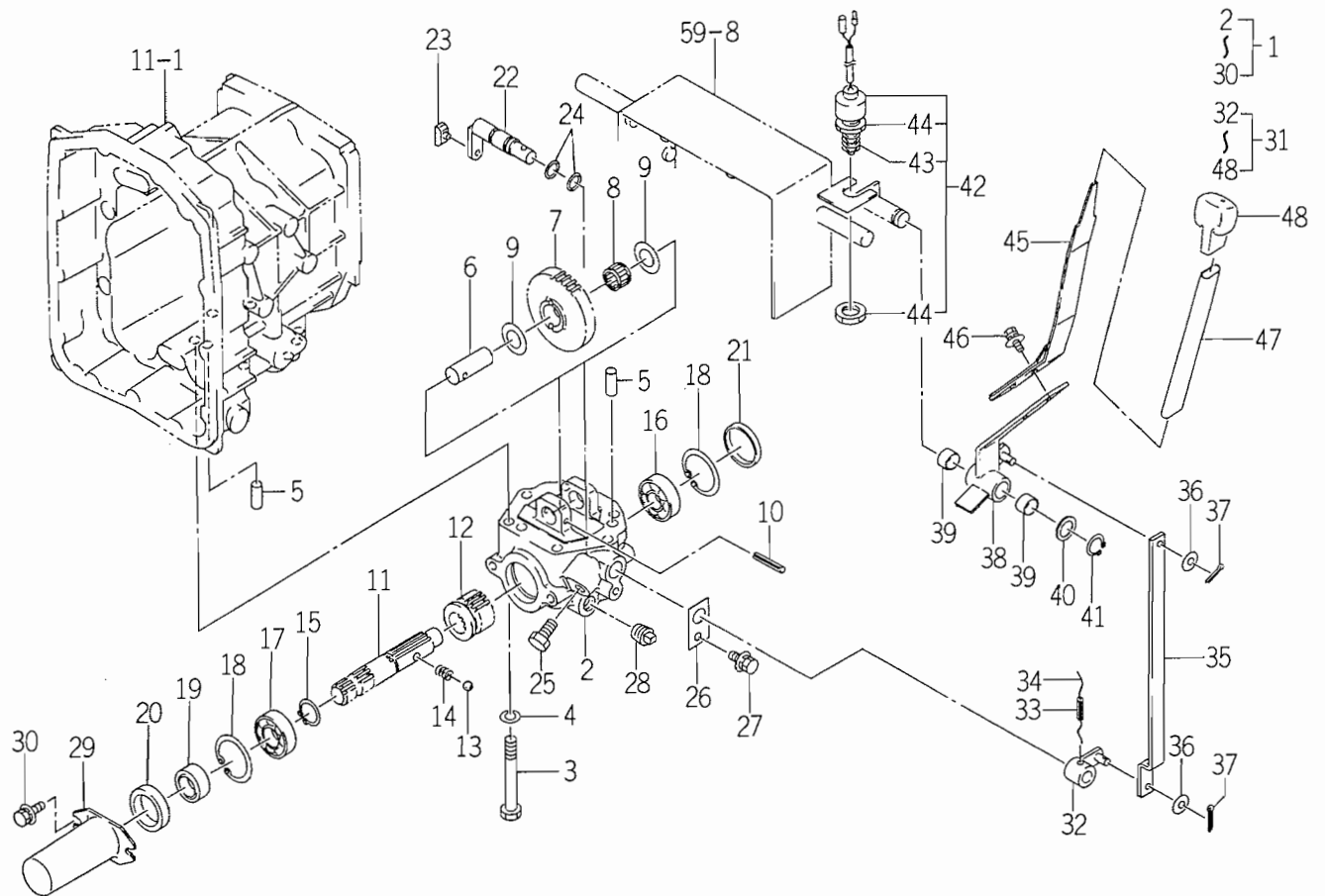
FIG. 22 MID PTO SYSTEM



1883-255

KEY	PART CODE	DESCRIPTION	QTY	TYPE OF MODEL		I T C	C O L	G R P	REMARKS
				TM215H	TM217H				
1	1682 - 255 - 201 - 00	CASE/PTO/MID	1	*	*				
2	V523 - 101 - 002 - 40	PIN	2	*	*				
3	V201 - 361 - 009 - 00	BOLT/M10X90	6	*	*				
4	V401 - 160 - 010 - 00	WASHER,SP/M10	6	*	*				
5	1682 - 255 - 203 - 00	PIN/20X51	1	*	*				
6	1682 - 255 - 202 - 00	GEAR/SPUR/34	1	*	*				
7	1682 - 255 - 002 - 00	BEARING/NEEDLE	1	*	*				
8	1480 - 212 - 003 - 00	COLLAR/21X36X1	2	*	*				
9	V580 - 140 - 604 - 00	PIN,SPRING/6 X40 W	1	*	*				
10	1682 - 255 - 204 - 00	SHAFT/PTO/MID	1	*	*				
11	1682 - 255 - 205 - 10	GEAR/SPUR/15	1	*	*				
12	1302 - 225 - 003 - 00	SPRING,SHIFTER	1	*	*				
13	V682 - 200 - 001 - 00	BALL	1	*	*				
14	V704 - 140 - 025 - 00	RING,SNAP/25 C	1	*	*				
15	V600 - 110 - 630 - 40	BEARING,RB/6304	1	*	*				
16	V600 - 110 - 620 - 50	BEARING,RB/6205	1	*	*				
17	V705 - 140 - 052 - 00	RING,SNAP/52 C	2	*	*				
18	1427 - 212 - 003 - 20	SLEEVE	1	*	*				
19	V744 - 135 - 520 - 80	SEAL,OIL/TC35528	1	*	*				
20	3625 - 701 - 003 - 00	CAP,BLANK/52	1	*	*				
21	1682 - 255 - 210 - 30	ARM/SHIFT/MID COMP	1	*	*				
22	2703 - 101 - 020 - 00	COLLAR,SHIFTER	1	*	*				
23	V720 - 102 - 401 - 40	O - RING/P14	2	*	*				
24	1620 - 255 - 208 - 00	PLATE/30X50	1	*	*				
25	V211 - 360 - 801 - 60	BOLT,SEMS (SP)	1	*	*				

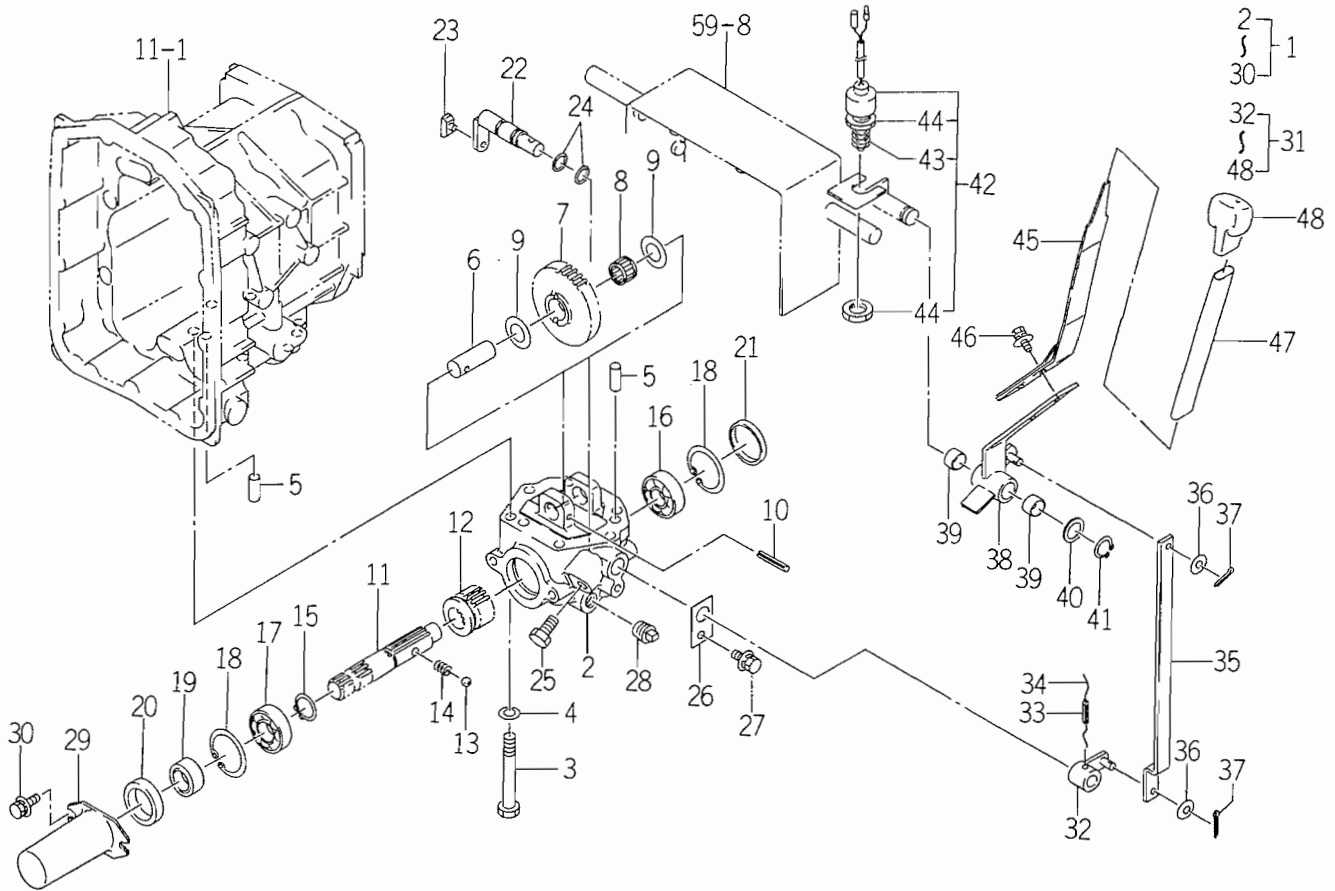
FIG. 23 MID PTO SET (EXCEPT M TYPE) (OPTION)



1683-255Z

KEY	PART CODE	DESCRIPTION	QTY	TYPE OF MODEL		I T C	C O L	G R P	REMARKS
				TM215H	TM217H				
1	1683 - 255 - 510 - 00	PTO/MID/HST SET	1	T	T				
2	1682 - 255 - 201 - 00	CASE/PTO/MID	1	T	T				
3	V201 - 361 - 009 - 00	BOLT/M10X90	6	T	T				
4	V401 - 160 - 010 - 00	WASHER,SP/M10	6	T	T				
5	V523 - 101 - 002 - 40	PIN	2	T	T				
6	1682 - 255 - 203 - 00	PIN/20X51	1	T	T				
7	1682 - 255 - 202 - 00	GEAR/SPUR/34	1	T	T				
8	1682 - 255 - 002 - 00	BEARING/NEEDLE	1	T	T				
9	1480 - 212 - 003 - 00	COLLAR/21X36X1	2	T	T				
10	V580 - 140 - 604 - 00	PIN,SPRING/6 X40 W	1	T	T				
11	1682 - 255 - 204 - 00	SHAFT/PTO/MID	1	T	T				
12	1682 - 255 - 205 - 10	GEAR/SPUR/15	1	T	T				
13	V682 - 200 - 001 - 00	BALL	1	T	T				
14	1302 - 225 - 003 - 00	SPRING,SHIFTER	1	T	T				
15	V704 - 140 - 025 - 00	RING,SNAP/25 C	1	T	T				
16	V600 - 110 - 630 - 40	BEARING,RB/6304	1	T	T				
17	V600 - 110 - 620 - 50	BEARING,RB/6205	1	T	T				
18	V705 - 140 - 052 - 00	RING,SNAP/52 C	2	T	T				
19	1427 - 212 - 003 - 20	SLEEVE	1	T	T				
20	V744 - 135 - 520 - 80	SEAL,OIL/TC35528	1	T	T				
21	3625 - 701 - 003 - 00	CAP,BLANK/52	1	T	T				
22	1682 - 255 - 210 - 30	ARM/SHIFT/MID COMP	1	T	T				
23	2703 - 101 - 020 - 00	COLLAR,SHIFTER	1	T	T				
24	V720 - 102 - 401 - 40	O - RING/P14	2	T	T				
25	V203 - 261 - 202 - 00	BOLT/M12X20	1	T	T				

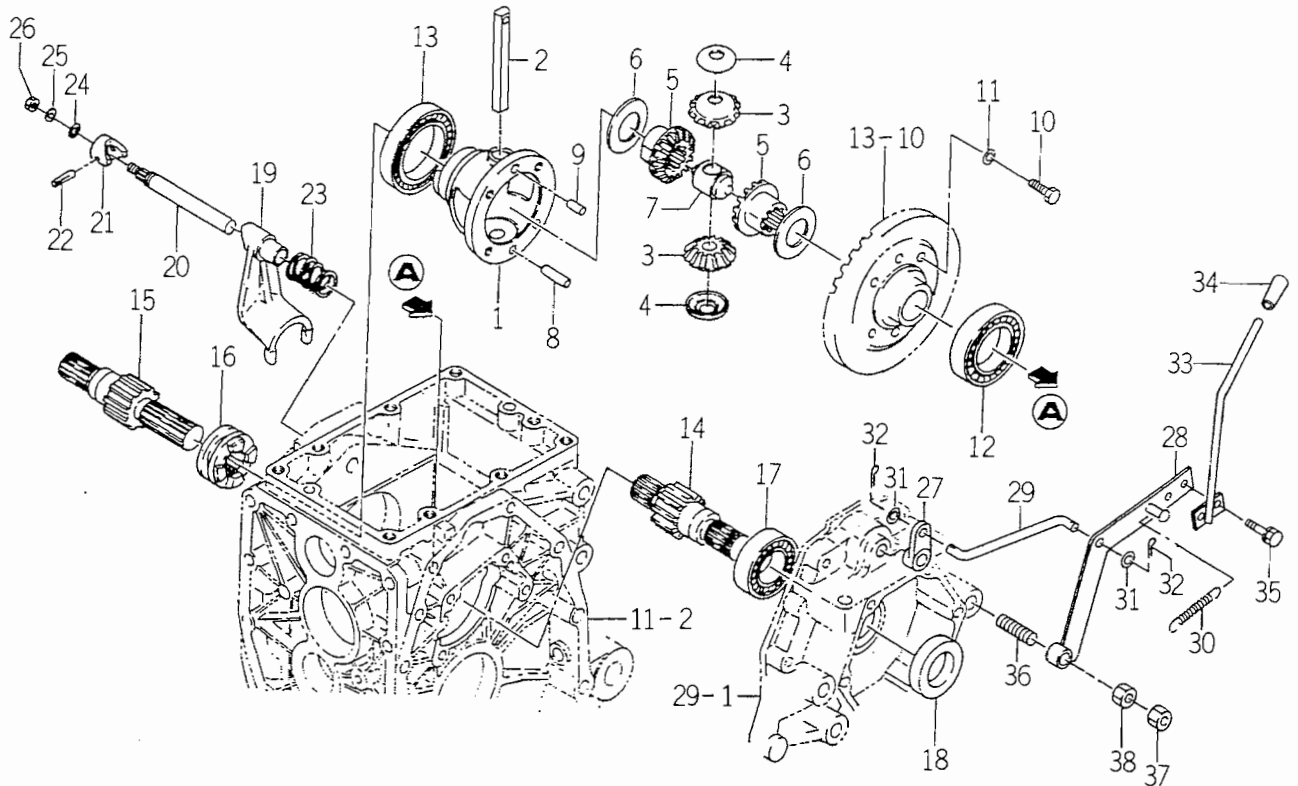
FIG. 23 MID PTO SET (EXCEPT M TYPE) (OPTION)



1683-255Z

KEY	PART CODE	DESCRIPTION	QTY	TYPE OF MODEL		I T C	C O L	G R P	REMARKS
				TM215H	TM217H				
26	1620 - 255 - 208 - 00	PLATE/1/30X50	1	T	T				
27	V211 - 360 - 801 - 60	BOLT,SEMS (SP)	1	T	T				
28	V781 - 160 - 000 - 6B	PLUG/SCREW/SEAL	1	T	T				
29	1444 - 314 - 009 - 10	CAP,PTO SHAFT	1	T	T				
30	V210 - 360 - 602 - 00	BOLT/SP	2	T	T				
31	1683 - 255 - 600 - 00	LEVER/MID/HST SET	1	T	T				
32	1683 - 265 - 510 - 00	ARM/SHIFT/MID COMP	1	T	T				
33	V580 - 140 - 602 - 50	PIN,SPRING/6 X25 W	1	T	T				
34		WIRE	1	T	T				
35	1683 - 265 - 051 - 00	PLATE/Z/19X326	1	T	T				
36	V411 - 260 - 008 - 00	WASHER,PL/M 8	2	T	T				
37	V500 - 163 - 002 - 00	PIN,SPLIT/3 X20	2	T	T				
38	1683 - 265 - 500 - 10	ARM/MID COMP	1	T	T				
39	3668 - 612 - 001 - 00	BUSH	2	T	T				
40	2144 - 419 - 022 - 00	WASHER/18X26X02	1	T	T				
41	V704 - 140 - 018 - 00	RING,SNAP/18 C	1	T	T				
42	1575 - 623 - 250 - 00	SWITCH/PUSH ASSY	1	T	T				
43	1491 - 623 - 223 - 00	BOOT	1	T	T				
44	1491 - 623 - 222 - 00	NUT/M20	2	T	T				
45	1672 - 208 - 220 - 00	LEVER/SUB COMP	1	T	T				
46	V211 - 360 - 801 - 60	BOLT,SEMS (SP)	2	T	T				
47	1672 - 208 - 001 - 00	INSULATOR/LEVER/SUB	1	T	T				
48	1614 - 262 - 003 - 00	GRIP/SUB	1	T	T				

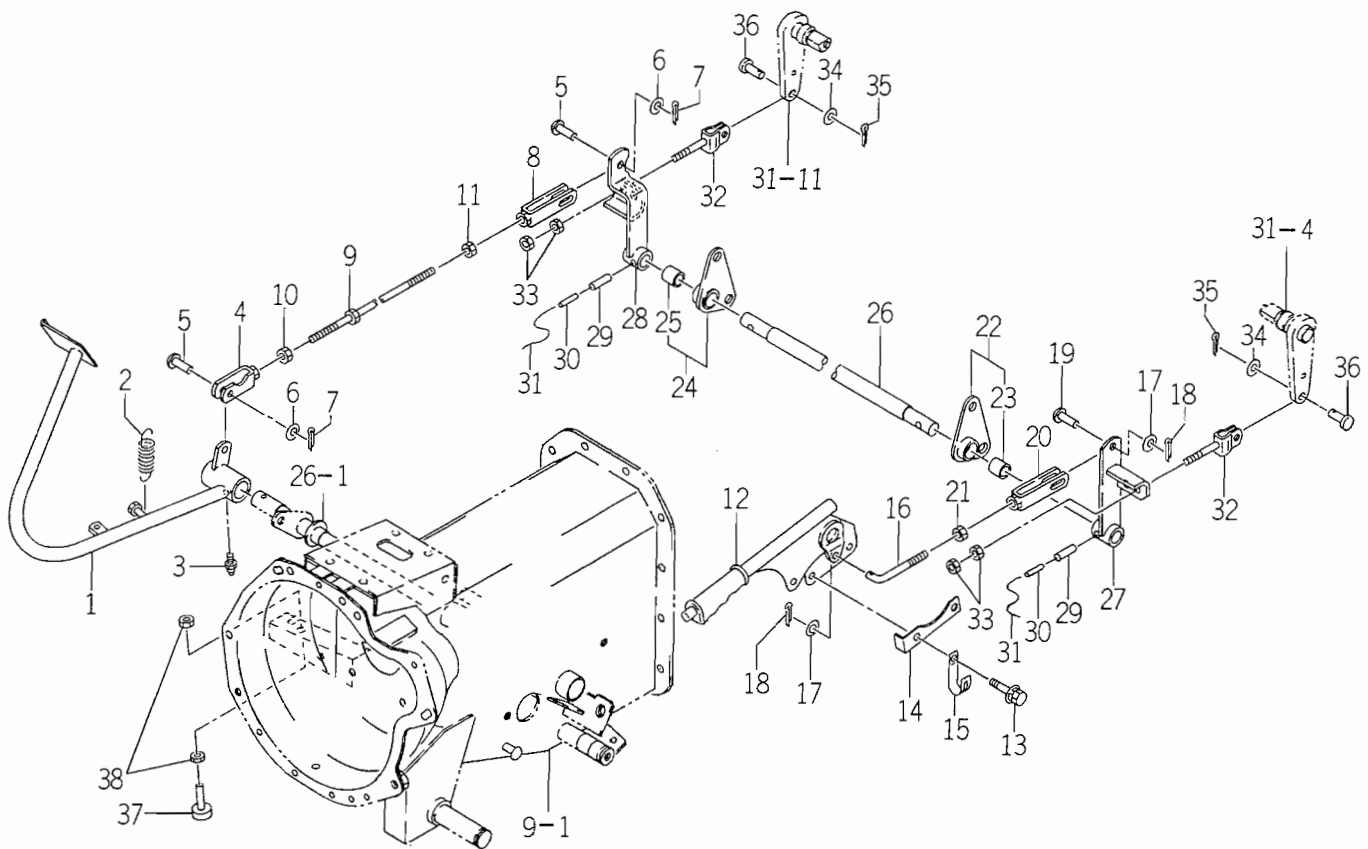
FIG. 28 DIFF SYSTEM



1683-301

KEY	PART CODE	DESCRIPTION	QTY	TYPE OF MODEL		I T C	C O L	G R P	REMARKS
				TM215H	TM217H				
1	1427 - 301 - 002 - 20	CASE,DIFF	1	*	*				
2	1444 - 411 - 006 - 00	SHAFT,DIFF. PINION	1	*	*				
3	1427 - 301 - 004 - 00	PINION,DIFF/12T	2	*	*				
4	1427 - 301 - 005 - 00	COLLAR,PINION THRUST	2	*	*				
5	1427 - 301 - 006 - 00	GEAR,DIFF - SIDE/14T	2	*	*				
6	1427 - 301 - 007 - 00	COLLAR,THRUST	2	*	*				
7	1427 - 301 - 009 - 00	HOLDER,PINION SHAFT	1	*	*				
8	1672 - 301 - 002 - 00	PIN	1	*	*				
9	V522 - 100 - 801 - 60	PIN	1	*	*				
10	1544 - 304 - 006 - 10	BOLT/M8X25	4	*	*				
11	V401 - 160 - 008 - 00	WASHER,SP/M 8	4	*	*				
12	V600 - 110 - 600 - 90	BEARING,RB/6009	1	*	*				
13	V600 - 110 - 601 - 00	BEARING,RB/6010	1	*	*				
14	1427 - 301 - 011 - 10	PINION,WHEEL/11.L	1	*	*				
15	1427 - 301 - 012 - 10	PINION,WHEEL/11.R	1	*	*				
16	1427 - 301 - 013 - 10	CLUTCH,DIFF - LOCK	1	*	*				
17	V600 - 110 - 620 - 60	BEARING,RB/6206	2	*	*				
18	V744 - 130 - 450 - 80	SEAL,OIL/TC30458	2	*	*				
19	1427 - 301 - 014 - 10	FORK/SHIFT/DIFFLOCK	1	*	*				
20	1427 - 301 - 015 - 00	STAY,SHIFTER	1	*	*				
21	1427 - 301 - 016 - 00	CAM,DIFF - LOCK	1	*	*				
22	V530 - 240 - 502 - 40	PIN/SLITTED	1	*	*				
23	1427 - 301 - 018 - 00	SPRING,PRESS/40	1	*	*				
24	V720 - 102 - 401 - 00	O - RING/P10A	1	*	*				
25	V401 - 160 - 010 - 00	WASHER,SP/M10	1	*	*				

FIG. 32 HST BRAKE SYSTEM

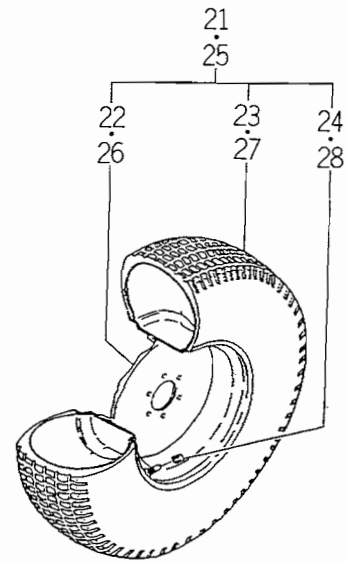
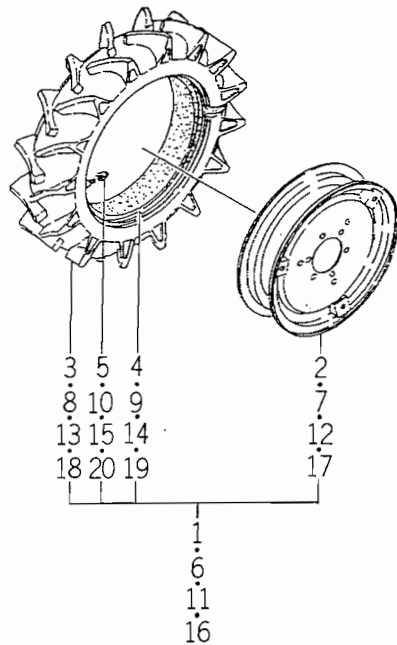


1683-312

KEY	PART CODE	DESCRIPTION	QTY	TYPE OF MODEL		I T C	C O L	G R P	REMARKS
				TM215H	TM217H				
1	1683 - 312 - 510 - 40	PEDAL/BRAKE COMP	1	*	*				
2	1105 - 410 - 003 - 00	SPRING/HE067	1	*	*				
3	V763 - 150 - 000 - 00	NIPPLE,GREASE/PT1/8	1	*	*				
4	1415 - 312 - 500 - 00	YOKE,LH	1	*	*				
5	1404 - 312 - 006 - 00	PIN,YOKE A	2	*	*				
6	V411 - 260 - 008 - 00	WASHER,PL/M 8	2	*	*				
7	V500 - 162 - 002 - 00	PIN,SPLIT/2 X20	2	*	*				
8	1510 - 328 - 260 - 00	YOKE COMP	1	*	*				
9	1683 - 312 - 570 - 00	ROD/BRAKE COMP	1	*	*				
10	1560 - 132 - 007 - 30	NUT/M8	1	*	*				
11	V304 - 260 - 008 - 00	NUT/M 8	1	*	*				
12	1682 - 312 - 260 - 00	LEVER/PARKING COMP	1	*	*				
13	V211 - 360 - 802 - 50	BOLT,SEMS	2	*	*				
14	1683 - 312 - 002 - 00	STOPPER/PARKING	1	*	*				
15	1425 - 621 - 004 - 00	CLAMP,HARNESS	1	*	*				
16	1683 - 312 - 003 - 00	ROD/80	1	*	*				
17	V411 - 260 - 008 - 00	WASHER,PL/M 8	2	*	*				
18	V500 - 162 - 002 - 00	PIN,SPLIT/2 X20	2	*	*				
19	1404 - 312 - 006 - 00	PIN,YOKE A	1	*	*				
20	1510 - 328 - 260 - 00	YOKE COMP	1	*	*				
21	V304 - 260 - 008 - 00	NUT/M 8	1	*	*				
22	1682 - 312 - 300 - 00	HOLDER/SHAFT/LH ASSY	1	*	*				
23	3668 - 612 - 001 - 00	BUSH	1	*	*				
24	1682 - 312 - 310 - 00	HOLDER/SHAFT/RH ASSY	1	*	*				
25	3668 - 612 - 001 - 00	BUSH	1	*	*				

FIG. 33 REAR WHEEL SYSTEM (OPTION)

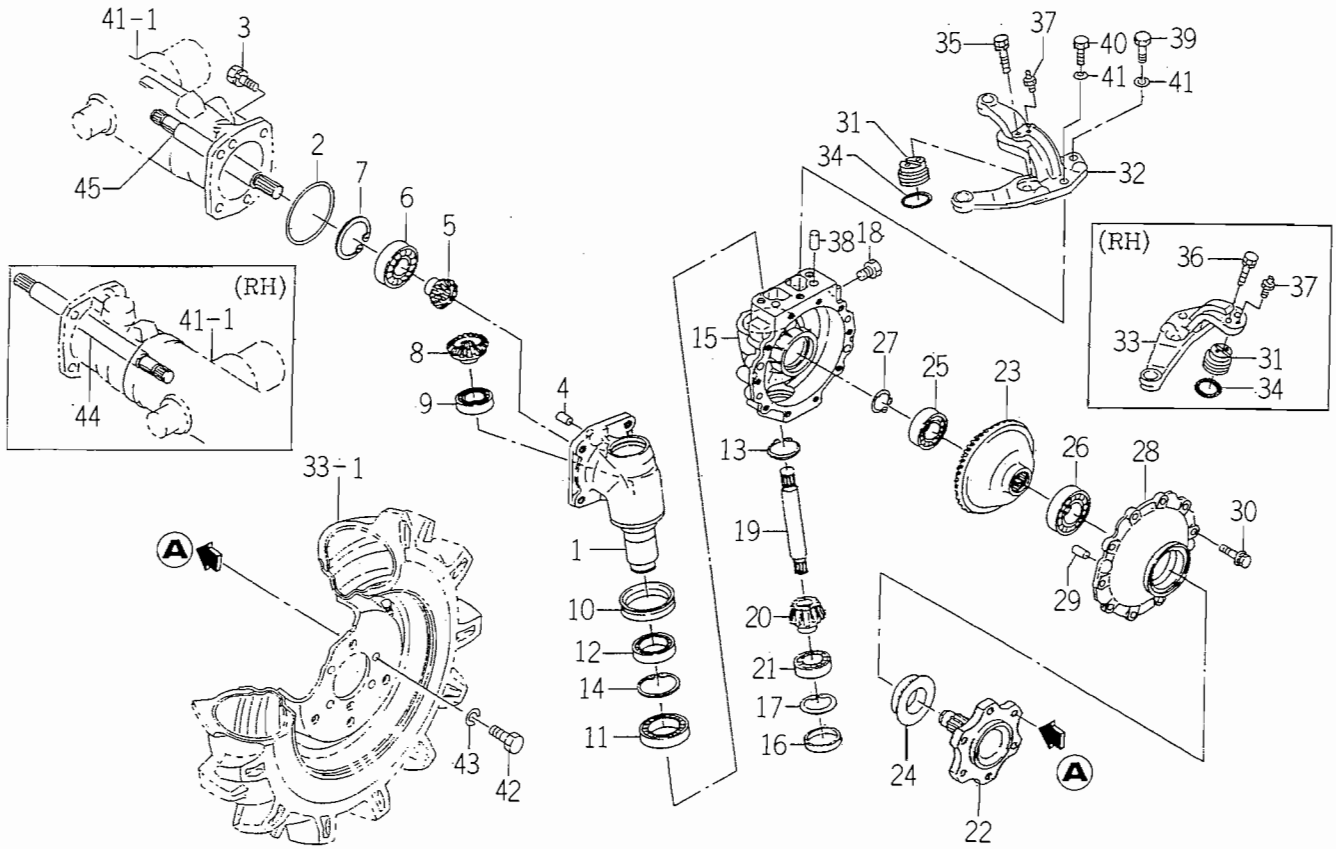
(KEY 1~10 FOR TM215H)
 (KEY 11~20 FOR TM217H)



1434-317A

KEY	PART CODE	DESCRIPTION	QTY	TYPE OF MODEL		I T C	C O L	G R P	REMARKS
				TM215H	TM217H				
1	1434 - 317 - 230 - 00	TIRE,LW - LUG L8 - 16 4P	1	T			6G		
2	1434 - 317 - 201 - 10	WHEEL/16X5JA COMP	1	T			6G		
3	V888 - 240 - 081 - 60	TIRE/4P 8 - 16	1	T					
4	V889 - 000 - 081 - 60	TUBE/ 8 - 16	1	T					
5	V999 - 200 - 003 - 00	CAP,TIRE VALVE	1	T					
6	1434 - 317 - 240 - 00	TIRE,LW - LUG R8 - 16 4P	1	T			6G		
7	1434 - 317 - 201 - 10	WHEEL/16X5JA COMP	1	T			6G		
8	V888 - 240 - 081 - 60	TIRE/4P 8 - 16	1	T					
9	V889 - 000 - 081 - 60	TUBE/ 8 - 16	1	T					
10	V999 - 200 - 003 - 00	CAP,TIRE VALVE	1	T					
11	1435 - 317 - 230 - 01	TIRE,LW - LUG/L ASSY	1		T		6G		
12	1435 - 317 - 201 - 10	WHEEL/18XW6 COMP	1		T		6G		
13	V888 - 240 - 081 - 80	TIRE/4P 8 - 18	1		T				
14	V889 - 000 - 081 - 80	TUBE/ 8 - 18	1		T				
15	V999 - 200 - 003 - 00	CAP,TIRE VALVE	1		T				
16	1435 - 317 - 240 - 01	TIRE,LW - LUG/R ASSY	1		T		6G		
17	1435 - 317 - 201 - 10	WHEEL/18XW6 COMP	1		T		6G		
18	V888 - 240 - 081 - 80	TIRE/4P 8 - 18	1		T				
19	V889 - 000 - 081 - 80	TUBE/ 8 - 18	1		T				
20	V999 - 200 - 003 - 00	CAP,TIRE VALVE	1		T				
21	1434 - 317 - 280 - 01	TIRE,TURF/L ASSY	1	T	T		6G		
22	1434 - 317 - 290 - 01	WHEEL/15X10LB COMP	1	T	T		6G		
23	1434 - 317 - 281 - 00	TIRE,TURF29X12.00X15	1	T	T				
24	V999 - 200 - 003 - 00	CAP,TIRE VALVE	1	T	T				
25	1434 - 317 - 300 - 01	TIRE,TURF/R ASSY	1	T	T		6G		

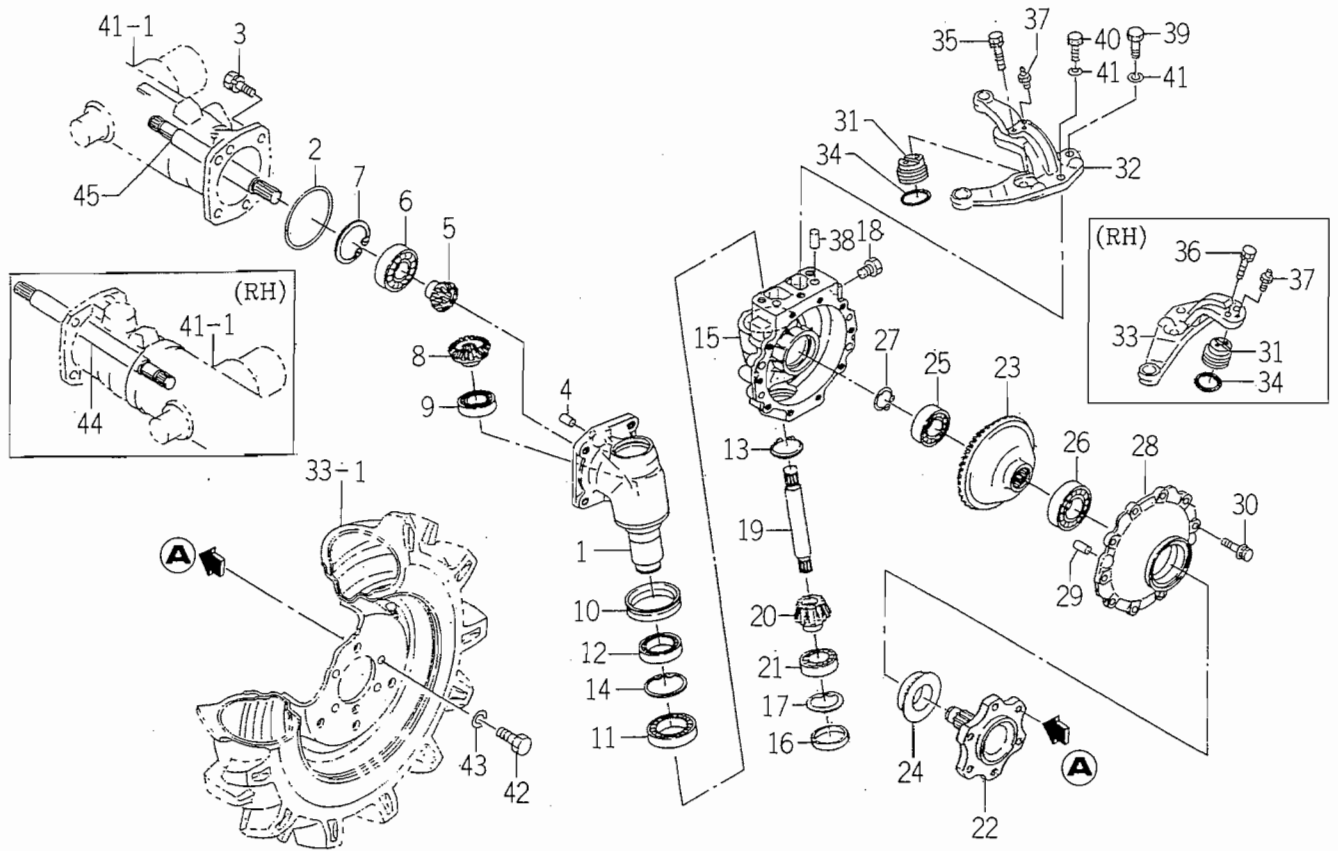
FIG. 42 FINAL GEAR,FINAL DRIVE SHAFT SYSTEM



1682-434

KEY	PART CODE	DESCRIPTION	QTY	TYPE OF MODEL		I T C	C O L	G R P	REMARKS
				TM215H	TM217H				
1	1682 - 434 - 001 - 20	CASE/FINAL	2	*	*				
2	V721 - 103 - 109 - 00	O - RING/G90	2	*	*				
3	V211 - 561 - 003 - 00	BOLT/M10X30	8	*	*				
4	V523 - 101 - 002 - 40	PIN	4	*	*				
5	1672 - 434 - 002 - 00	GEAR/BEVEL/11	2	*	*				
6	V600 - 110 - 630 - 50	BEARING,RB/6305	2	*	*				
7	V707 - 140 - 062 - 00	RING/SNAP	2	*	*				
8	1672 - 434 - 003 - 00	GEAR/BEVEL/15	2	*	*				
9	V600 - 110 - 600 - 50	BEARING,RB/6005	2	*	*				
10	1488 - 413 - 023 - 10	SEAL,OIL	2	*	*				
11	V600 - 110 - 690 - 70	BEARING	2	*	*				
12	V600 - 110 - 600 - 80	BEARING,RB/6008	2	*	*				
13	V704 - 140 - 035 - 00	RING,SNAP/35 C	2	*	*				
14	V707 - 140 - 055 - 00	RING/SNAP	2	*	*				
15	1612 - 434 - 004 - 20	CASE/FINAL	2	*	*				
16	1564 - 201 - 003 - 00	CAP/SEAL/47	2	*	*				
17	V705 - 140 - 047 - 00	RING,SNAP/47 C	2	*	*				
18	7955 - 201 - 026 - 00	PLUG,DRAIN (1/4)	4	*	*				
19	1612 - 434 - 006 - 00	SHAFT	2	*	*				
20	1612 - 434 - 007 - 00	GEAR/BEVEL/12	2	*	*				
21	V600 - 110 - 600 - 50	BEARING,RB/6005	2	*	*				
22	1546 - 434 - 001 - 10	SHAFT,FRONT WHEEL	2	*	*				
23	1612 - 434 - 008 - 00	GEAR/BEVEL/47	2	*	*				
24	1491 - 434 - 017 - 00	SEAL/QLNY35571116	2	*	*				
25	V600 - 110 - 620 - 50	BEARING,RB/6205	2	*	*				

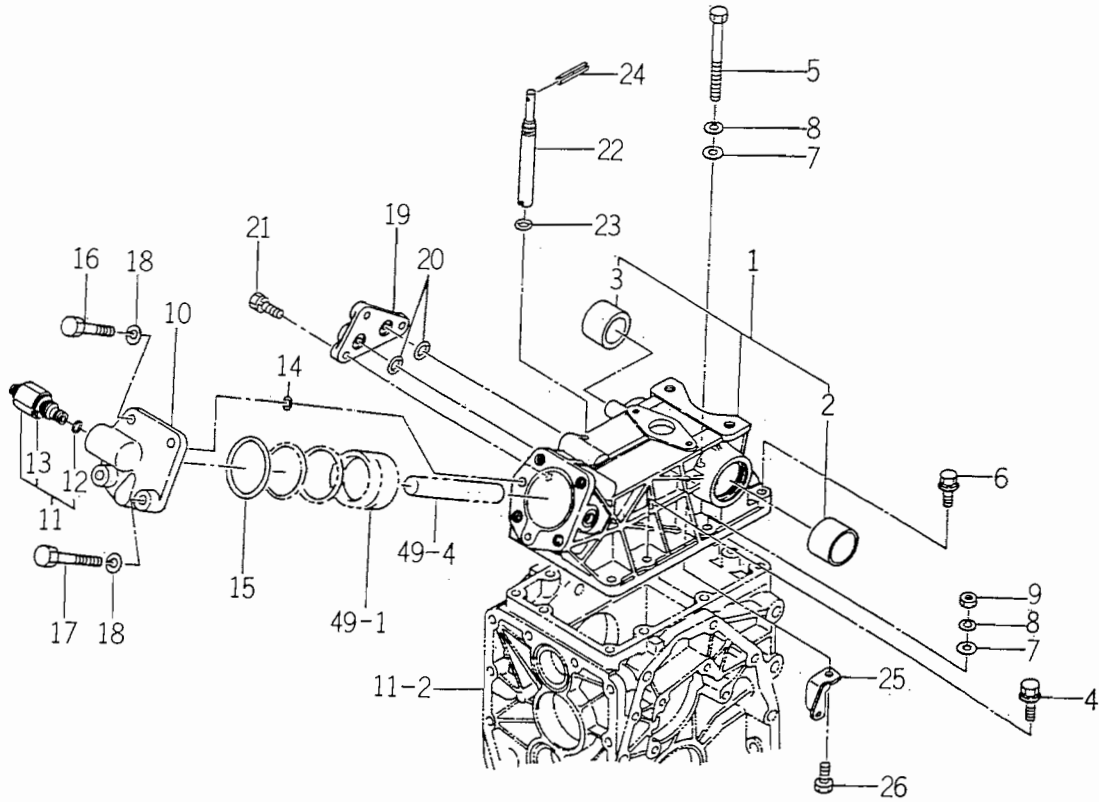
FIG. 42 FINAL GEAR,FINAL DRIVE SHAFT SYSTEM



1682-434

KEY	PART CODE	DESCRIPTION	QTY	TYPE OF MODEL		I T C	C O L	G R P	REMARKS
				TM215H	TM217H				
26	V600 - 110 - 620 - 60	BEARING,RB/6206	2	*	*				
27	V704 - 140 - 025 - 00	RING,SNAP/25 C	2	*	*				
28	1612 - 434 - 009 - 00	COVER/WHEEL	2	*	*				
29	V523 - 101 - 002 - 40	PIN	4	*	*				
30	V211 - 360 - 802 - 50	BOLT,SEMS	20	*	*				
31	1682 - 434 - 006 - 30	PIN/47X19	2	*	*				
32	1682 - 434 - 004 - 20	ARM/KNUCKLE/LH	1	*	*				
33	1682 - 434 - 005 - 30	ARM/KNUCKLE/RH	1	*	*				
34	V720 - 103 - 504 - 10	O - RING /P41	2	*	*				
35	V211 - 560 - 802 - 50	BOLT,SEMS/M8X25 7T	2	*	*				
36	V211 - 560 - 802 - 00	BOLT/M8X20	2	*	*				
37	V760 - 150 - 000 - 00	NIPPLE,GREASE	2	*	*				
38	V523 - 101 - 002 - 40	PIN	4	*	*				
39	V201 - 361 - 003 - 00	BOLT/M10X30	4	*	*				
40	V201 - 361 - 003 - 0B	BOLT/SEAL	2	*	*				
41	V401 - 160 - 010 - 00	WASHER,SP/M10	6	*	*				
42	V201 - 361 - 202 - 50	BOLT/M12X25	8	*	*				
43	V401 - 160 - 012 - 00	WASHER,SP/M12	8	*	*				
44	1617 - 435 - 002 - 00	SHAFT	1	*	*				
45	1614 - 435 - 004 - 00	SHAFT	1	*	*				

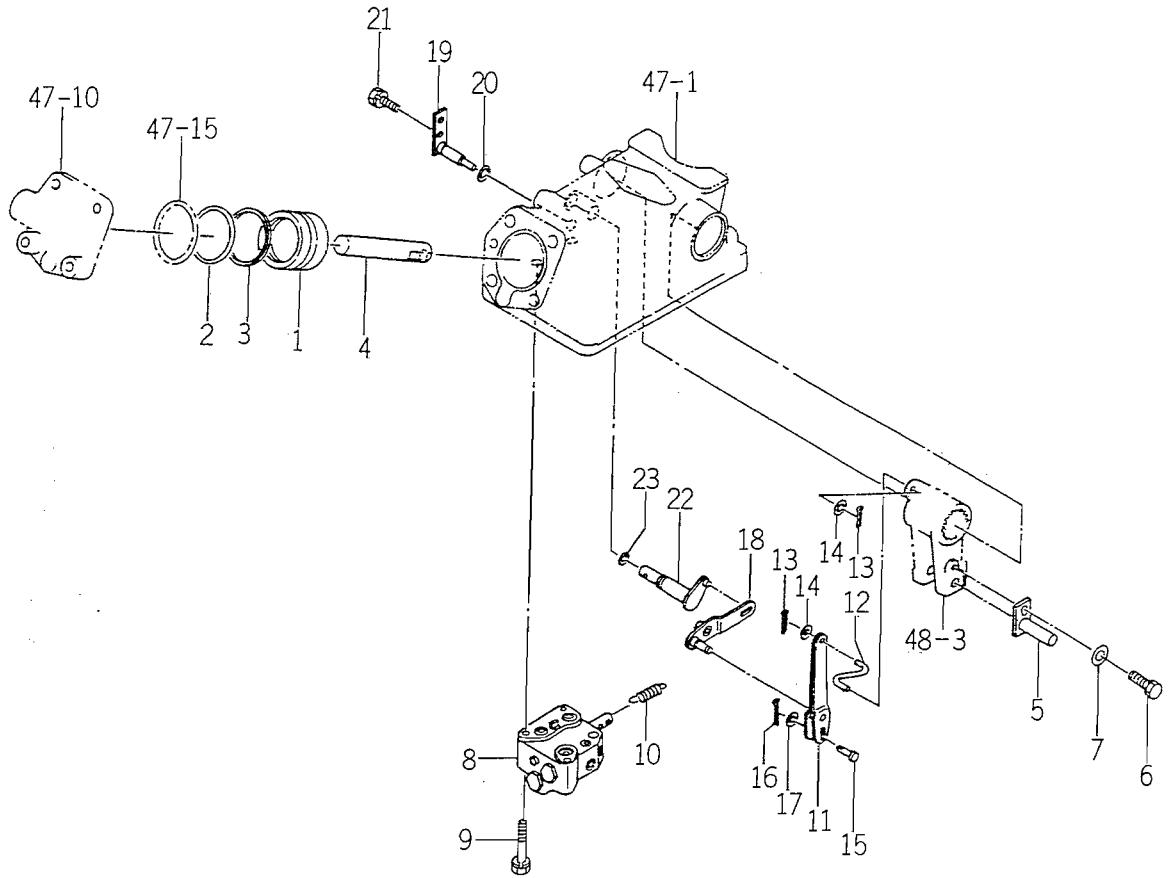
FIG. 47 CYLINDER CASE SYSTEM



1682-501

KEY	PART CODE	DESCRIPTION	QTY	TYPE OF MODEL		I T C	C O L	G R P	REMARKS
				TM215H	TM217H				
1	1579 - 501 - 200 - 00	CASE, CYLINDER	1	*	*				
2	1480 - 501 - 003 - 00	BUSH/40X43X30	1	*	*				
3	1427 - 501 - 003 - 00	BUSH/35X39X30	1	*	*				
4	V211 - 661 - 004 - 00	BOLT/SP	4	*	*				
5	V201 - 361 - 010 - 00	BOLT/M10X100	1	*	*				
6	V211 - 661 - 004 - 50	BOLT/SP	2	*	*				
7	V411 - 260 - 010 - 00	WASHER/M10	3	*	*				
8	V401 - 160 - 010 - 00	WASHER, SP/M10	3	*	*				
9	V304 - 460 - 010 - 00	NUT/M10	2	*	*				
10	1579 - 501 - 002 - 00	HEAD, CYLINDER	1	*	*				
11	K250 - 001 - 000 - 00	VALVE, RELIEF ASSY	1	*	*				
12	V720 - 112 - 401 - 20	O - RING/P12	1	*	*				
13	K250 - 001 - 009 - 00	PACKING	1	*	*				
14	V720 - 112 - 401 - 20	O - RING/P12	2	*	*				
15	V721 - 113 - 106 - 00	O - RING G60	1	*	*				
16	V201 - 361 - 204 - 00	BOLT/M12X40	2	*	*				
17	V201 - 361 - 206 - 00	BOLT	2	*	*				
18	V401 - 160 - 012 - 00	WASHER, SP/M12	4	*	*				
19	1434 - 501 - 003 - 00	COVER, SUB CONTROL	1	*	*				
20	V720 - 112 - 401 - 20	O - RING/P12	2	*	*				
21	V211 - 260 - 802 - 50	BOLT/S	3	*	*				
22	1434 - 501 - 004 - 00	PIN, ADJ	1	*	*				
23	V720 - 101 - 900 - 70	O - RING/P 7	1	*	*				
24	V580 - 140 - 403 - 60	PIN, SPRING 3X32	1	*	*				
25	1434 - 501 - 005 - 00	HOOK, SPRING	1	*	*				

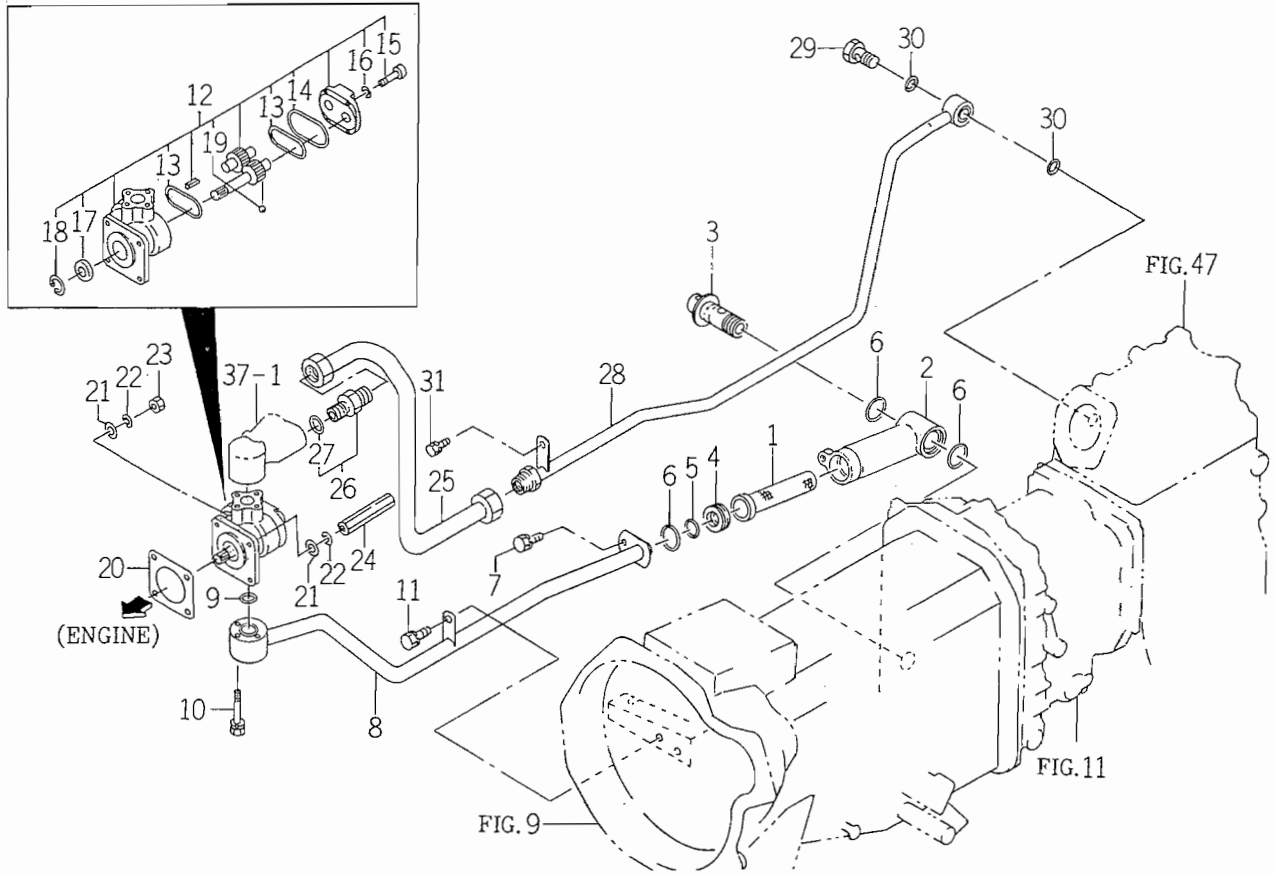
FIG. 49 CYLINDER SYSTEM



1612-503

KEY	PART CODE	DESCRIPTION	QTY	TYPE OF MODEL		I T C	C O L	G R P	REMARKS
				TM215H	TM217H				
1	1421 - 507 - 002 - 10	PISTON	1	*	*				
2	V720 - 105 - 705 - 50	O - RING/P55	1	*	*				
3	1416 - 501 - 011 - 00	RING, BACKUP	1	*	*				
4	1544 - 503 - 001 - 20	ROD	1	*	*				
5	1544 - 503 - 200 - 20	PIN, ROD COMP	1	*	*				
6	V211 - 561 - 001 - 60	BOLT (S) 7	1	*	*				
7	V411 - 260 - 010 - 00	WASHER/M10	1	*	*				
8	K211 - 001 - 000 - 00	VALVE CONTROL ASSY	1	*	*				FIG 079
9	V211 - 260 - 805 - 00	BOLT/M8X50	3	*	*				
10	1434 - 501 - 006 - 00	SPRING, TENSION/31	1	*	*				
11	1672 - 503 - 200 - 00	LINK/SPOOL COMP	1	*	*				
12	1434 - 503 - 001 - 00	LINK, CRANK	1	*	*				
13	V500 - 162 - 001 - 50	PIN, SPLIT/2 X15	2	*	*				
14	V411 - 260 - 006 - 00	WASHER / M6	2	*	*				
15	1434 - 503 - 002 - 00	PIN/5X17	1	*	*				
16	V500 - 162 - 001 - 50	PIN, SPLIT/2 X15	1	*	*				
17	V411 - 260 - 005 - 00	WASHER, PL/M 5	1	*	*				
18	1672 - 503 - 210 - 00	LINK/SUPPORT COMP	1	*	*				
19	1434 - 503 - 250 - 10	PIN/SUPPORT COMP	1	*	*				
20	V720 - 101 - 900 - 70	O - RING/P 7	1	*	*				
21	V211 - 260 - 801 - 60	BOLT, SEMS (S) M8X16	1	*	*				
22	1434 - 503 - 260 - 20	LINK SHIFT ARM	1	*	*				
23	V720 - 102 - 401 - 00	O - RING/P10A	1	*	*				

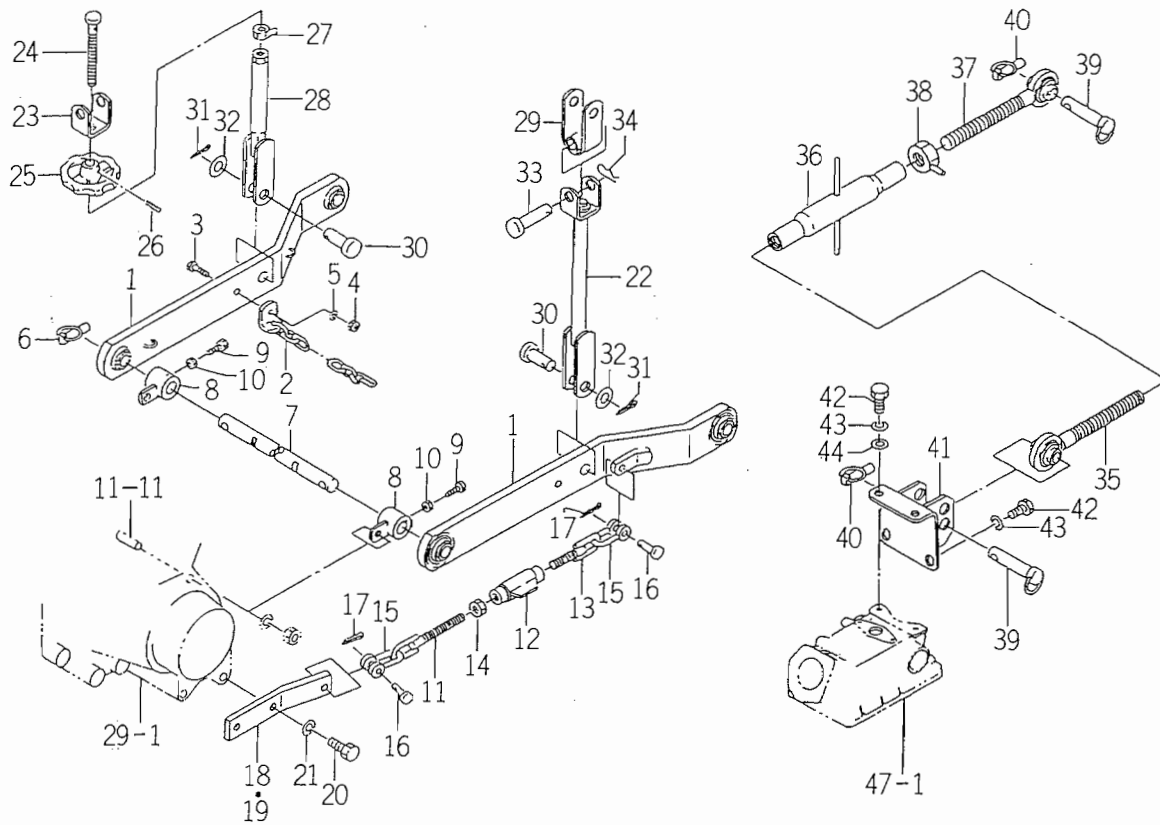
FIG. 52 MAIN PIPING SYSTEM



1683-508

KEY	PART CODE	DESCRIPTION	QTY	TYPE OF MODEL		I T C	C O L	G R P	REMARKS
				TM215H	TM217H				
1	1434 - 503 - 320 - 10	FILTER	1	*	*				
2	1434 - 503 - 004 - 10	CASE,OIL FILTER	1	*	*				
3	1434 - 503 - 330 - 00	BOLT,SET COMP	1	*	*				
4	1682 - 508 - 002 - 00	SPACER	1	*	*				
5	V720 - 102 - 402 - 10	O - RING/P21	1	*	*				
6	V720 - 103 - 502 - 80	O - RING/P28	3	*	*				
7	V211 - 260 - 802 - 00	BOLT,SEMS (S)	1	*	*				
8	1683 - 508 - 200 - 00	PIPE/SUCTION COMP	1	*	*				
9	V720 - 112 - 402 - 00	O - RING/P20	1	*	*				
10	V210 - 260 - 604 - 50	BOLT,SEMS/M6X45	2	*	*				
11	V211 - 260 - 801 - 60	BOLT,SEMS (S) M8X16	1	*	*				
12	1672 - 508 - 270 - 10	PUMP/GEAR ASSY	1	*	*				
13	1672 - 508 - 262 - 00	GASKET	2	*	*				
14	1672 - 508 - 263 - 00	GASKET	1	*	*				
15	V220 - 540 - 802 - 50	SCREW/SOCKET	4	*	*				
16	1672 - 508 - 264 - 00	WASHER	4	*	*				
17	V744 - 114 - 280 - 70	SEAL,OIL	1	*	*				
18	V705 - 140 - 028 - 00	RING,SNAP/28 C	1	*	*				
19	V682 - 200 - 001 - 00	BALL	2	*	*				
20	1404 - 503 - 006 - 00	PACKING,OIL PUMP	1	*	*				
21	V411 - 260 - 008 - 00	WASHER,PL/M 8	4	*	*				
22	V401 - 160 - 008 - 00	WASHER,SP/M 8	4	*	*				
23	V304 - 260 - 008 - 00	NUT/M 8	2	*	*				
24	1560 - 515 - 004 - 40	NUT/M8	2	*	*				
25	1682 - 508 - 240 - 00	PIPE/DEL/F/U COMP	1	*	*				

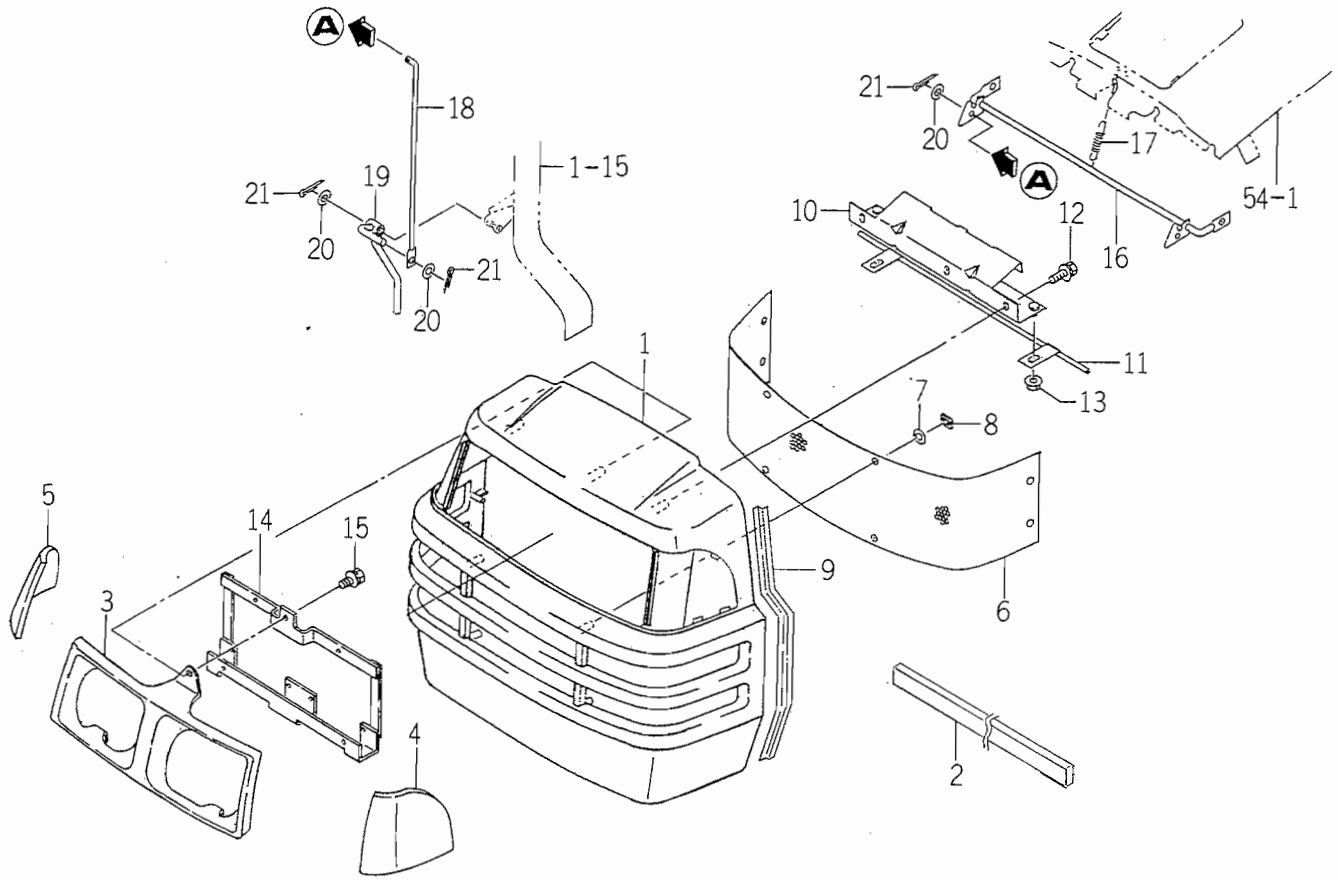
FIG. 53 3P LINK SYSTEM



1681-511B

KEY	PART CODE	DESCRIPTION	QTY	TYPE OF MODEL		I T C	C O L	G R P	REMARKS
				TM215H	TM217H				
1	1435 - 511 - 250 - 10	LINK/LOWER COMP	2	*	*				
2	1427 - 511 - 310 - 00	CHAIN,LW LINK	2	*	*				
3	V201 - 260 - 803 - 00	BOLT/M 8X30	2	*	*				
4	V304 - 260 - 008 - 00	NUT/M 8	2	*	*				
5	V401 - 160 - 008 - 00	WASHER,SP/M 8	2	*	*				
6	1421 - 502 - 002 - 00	PIN,LINK	2	*	*				
7	1600 - 514 - 001 - 00	PIN/22X384	1	*	*				
8	1435 - 511 - 260 - 00	HUB/22X40X37 COMP	2	*	*				
9	V201 - 360 - 802 - 50	BOLT/M 8X25	2	*	*				
10	V305 - 260 - 008 - 00	NUT/M 8	2	*	*				
11	1435 - 511 - 270 - 00	CHAIN/CHECK/148 COMP	2	*	*				
12	1427 - 511 - 320 - 00	TURNBUCKLE 12 COMP	2	*	*				
13	1427 - 511 - 220 - 00	CHAIN,CHECK RH	2	*	*				
14	V305 - 260 - 012 - 00	NUT/M12	2	*	*				
15	1427 - 511 - 002 - 00	SHACKLE	4	*	*				
16	1427 - 511 - 001 - 00	PIN/10X32	4	*	*				
17	V500 - 162 - 502 - 00	PIN,SPLIT/2.5X20	4	*	*				
18	1600 - 514 - 002 - 00	PLATE,L/38X116/LH	1	*	*				
19	1600 - 514 - 003 - 00	PLATE,L/38X116/RH	1	*	*				
20	V201 - 361 - 203 - 00	BOLT/M12X30	4	*	*				
21	V401 - 160 - 012 - 00	WASHER,SP/M12	4	*	*				
22	1427 - 511 - 270 - 00	ROD/LIFT/LH COMP	1	*	*				
23	1427 - 511 - 273 - 00	FORK	1	*	*				
24	1427 - 511 - 003 - 00	SCREW	1	*	*				
25	1427 - 511 - 004 - 00	HANDLE/ADJUST	1	*	*				

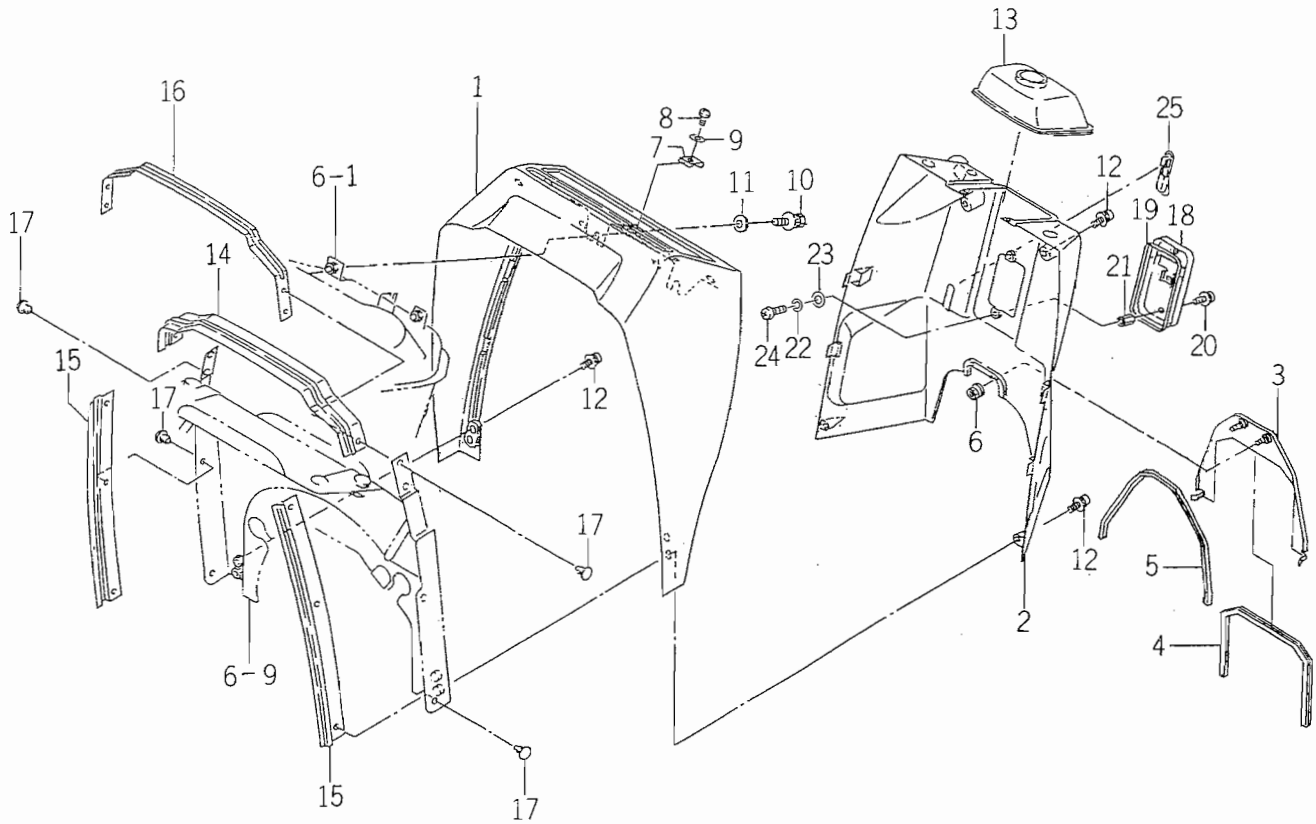
FIG. 55 GRILLE SYSTEM



1683-602

KEY	PART CODE	DESCRIPTION	QTY	TYPE OF MODEL		I T C	C O L	G R P	REMARKS
				TM215H	TM217H				
1	1672 - 602 - 003 - 10	GRILL	1	*	*				
2	1683 - 602 - 002 - 00	INSULATOR/575	1	*	*				
3	1683 - 602 - 001 - 00	HOOD/LAMP	1	*	*				
4	1675 - 602 - 004 - 00	MOLDING/GRILLE/LH	1	*	*				
5	1675 - 602 - 005 - 00	MOLDING/GRILLE/RH	1	*	*				
6	1675 - 602 - 001 - 00	NET/GRILLE	1	*	*				
7	1444 - 601 - 015 - 00	WASHER/6X14X3	8	*	*				
8	V350 - 160 - 006 - 00	NUT,SPEED/P6	8	*	*				
9	1675 - 602 - 007 - 00	TRIM/420	2	*	*				
10	1672 - 602 - 210 - 00	PLATE/GRILLE COMP	1	*	*				
11	1672 - 602 - 240 - 00	PIN COMP	1	*	*				
12	V210 - 360 - 601 - 60	BOLT (SP) /M6X16	3	*	*				
13	V363 - 260 - 008 - 00	NUT,LOCK/M8	2	*	*				
14	1683 - 602 - 220 - 00	BRACKET/LAMP COMP	1	*	*				
15	V210 - 360 - 601 - 60	BOLT (SP) /M6X16	3	*	*				
16	1672 - 602 - 230 - 00	PLATE/LOCK COMP	1	*	*				
17	1414 - 312 - 002 - 00	SPRING,TENSION/53	1	*	*				
18	1672 - 602 - 002 - 00	ROD	1	*	*				
19	1672 - 602 - 250 - 10	LEVER COMP	1	*	*				
20	V411 - 260 - 008 - 00	WASHER,PL/M 8	3	*	*				
21	V500 - 162 - 002 - 00	PIN,SPLIT/2 X20	3	*	*				

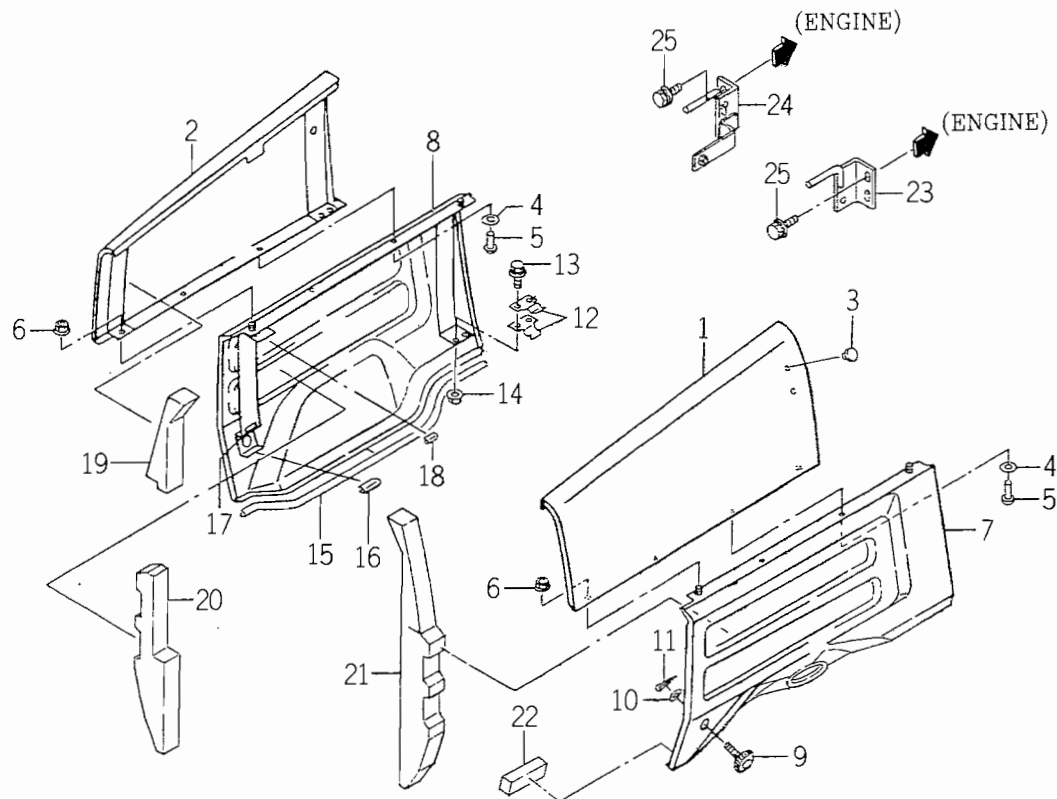
FIG. 56 DASH COVER SYSTEM



1683-603A

KEY	PART CODE	DESCRIPTION	QTY	TYPE OF MODEL		I T C	C O L	G R P	REMARKS
				TM215H	TM217H				
1	1614 - 603 - 051 - 00	COVER/DUSH/F	1	*	*				
2	1614 - 603 - 052 - 00	COVER/DUSH/R	1	*	*				
3	1683 - 603 - 510 - 00	COVER/DUSH/REAR COMP	1	*	*				
4	1683 - 603 - 052 - 00	TRIM/490	1	*	*				
5	1682 - 603 - 005 - 00	TRIM/570	1	*	*				
6	V350 - 160 - 006 - 00	NUT,SPEED/P6	2	*	*				
7	1614 - 603 - 018 - 00	NUT/SPRING	2	*	*				
8	1560 - 401 - 004 - 40	BOLT/M5X16	2	*	*				
9	V411 - 260 - 006 - 00	WASHER / M6	2	*	*				
10	V211 - 360 - 801 - 60	BOLT,SEMS (SP)	2	*	*				
11	4101 - 102 - 038 - 00	WASHER/24X9X3.2	2	*	*				
12	V120 - 376 - 002 - 00	SCREW/SP	6	*	*				
13	1612 - 603 - 002 - 00	BOOT/STEERING	1	*	*				
14	1614 - 603 - 201 - 10	INSULATOR	1	*	*				
15	1672 - 603 - 006 - 00	INSULATOR	2	*	*				
16	1614 - 603 - 008 - 00	STAY/INSULATOR	1	*	*				
17	1527 - 604 - 002 - 00	CLIP (B)	8	*	*				
18	1672 - 603 - 200 - 00	BRACKET/FUSE COMP	1	*	*				
19	1672 - 603 - 005 - 00	TRIM/350	1	*	*				
20	V120 - 376 - 001 - 20	SCREW/SP	2	*	*				
21	1672 - 603 - 007 - 00	NUT/M6X15	2	*	*				
22	V401 - 160 - 006 - 00	WASHER,SP/M 6	2	*	*				
23	V411 - 260 - 006 - 00	WASHER / M6	2	*	*				
24	V111 - 166 - 001 - 20	SCREW/M6X12	2	*	*				
25	1612 - 603 - 005 - 00	CAP/PARKING	1	*	*				

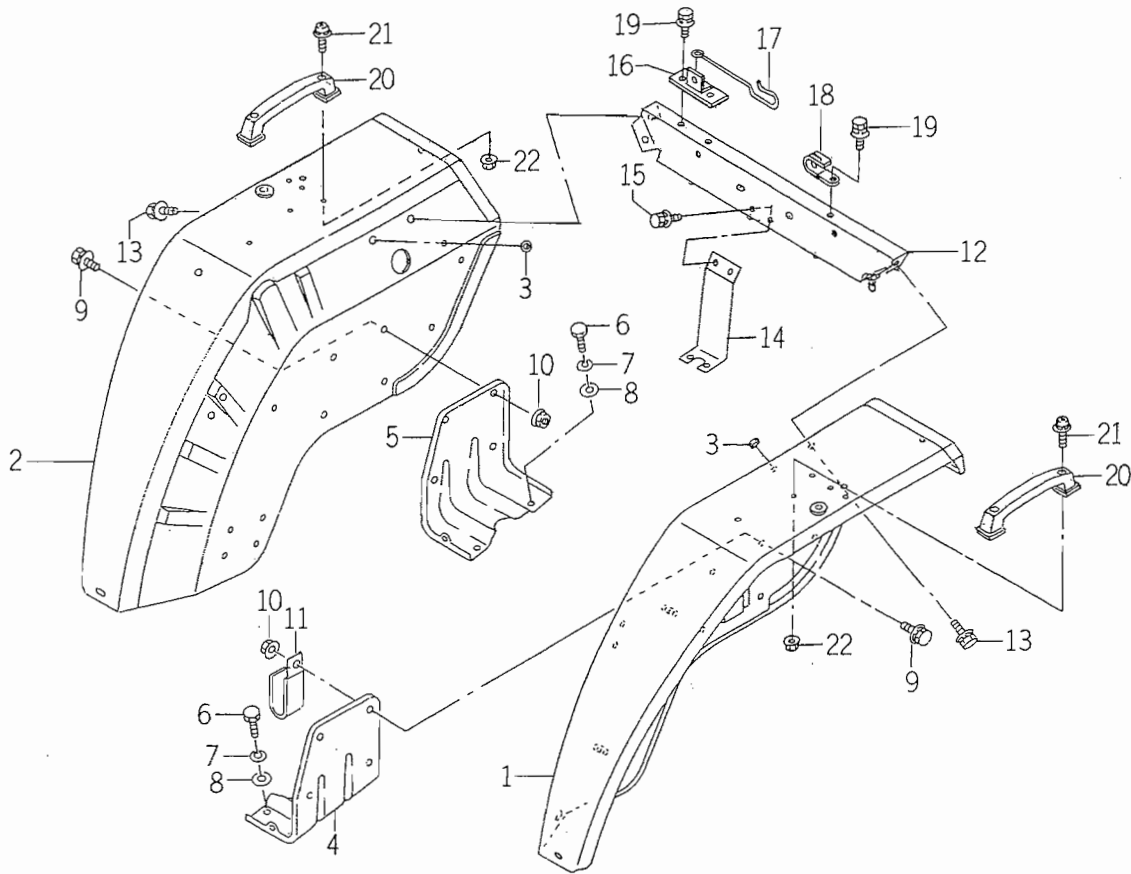
FIG. 57 SIDE COVER SYSTEM



1683-604

KEY	PART CODE	DESCRIPTION	QTY	TYPE OF MODEL		I T C	C O L	G R P	REMARKS
				TM215H	TM217H				
1	1683 - 604 - 240 - 10	COVER/SIDE/LH COMP	1	*	*			4G	
2	1683 - 604 - 250 - 10	COVER/SIDE/RH COMP	1	*	*			4G	
3	1444 - 621 - 016 - 00	CAP,RUBBER (9)	4	*	*				
4	1480 - 604 - 204 - 00	WASHER	16	*	*				
5	W296 - 134 - 007 - 00	RIVET,BLIND	6	*	*				
6	V360 - 260 - 006 - 00	NUT/M6	4	*	*				
7	1683 - 604 - 200 - 20	COVER/UNDER/LH COMP	1	*	*			8E	
8	1683 - 604 - 210 - 20	COVER/UNDER/RH COMP	1	*	*			8E	
9	1672 - 604 - 003 - 00	BOLT/KNOB/M08X31	2	*	*				
10	V411 - 260 - 008 - 00	WASHER,PL/M 8	2	*	*				
11	V500 - 162 - 001 - 50	PIN,SPLIT/2 X15	2	*	*				
12	1560 - 604 - 022 - 70	SPRING	4	*	*				
13	V211 - 360 - 801 - 60	BOLT,SEMS (SP)	4	*	*				
14	V362 - 260 - 008 - 00	NUT/WASHER	4	*	*				
15	1683 - 604 - 004 - 00	INSULATOR/565	2	*	*				
16	1672 - 604 - 005 - 00	INSULATOR	2	*	*				
17	1672 - 601 - 001 - 00	INSULATOR	2	*	*				
18	1672 - 601 - 002 - 00	TRIM/20	2	*	*				
19	1672 - 604 - 008 - 00	INSULATOR/RH	1	*	*				
20	1672 - 604 - 007 - 00	INSULATOR/RH	1	*	*				
21	1672 - 604 - 006 - 00	INSULATOR/LH	1	*	*				
22	1682 - 604 - 007 - 10	INSULATOR/30X30X80	2	*	*				
23	1672 - 604 - 220 - 00	STAY/COVER/LH COMP	1	*	*				
24	1683 - 604 - 230 - 00	STAY/COVER/RH COMP	1	*	*				
25	V211 - 660 - 802 - 50	BOLT/M8X25	4	*	*				

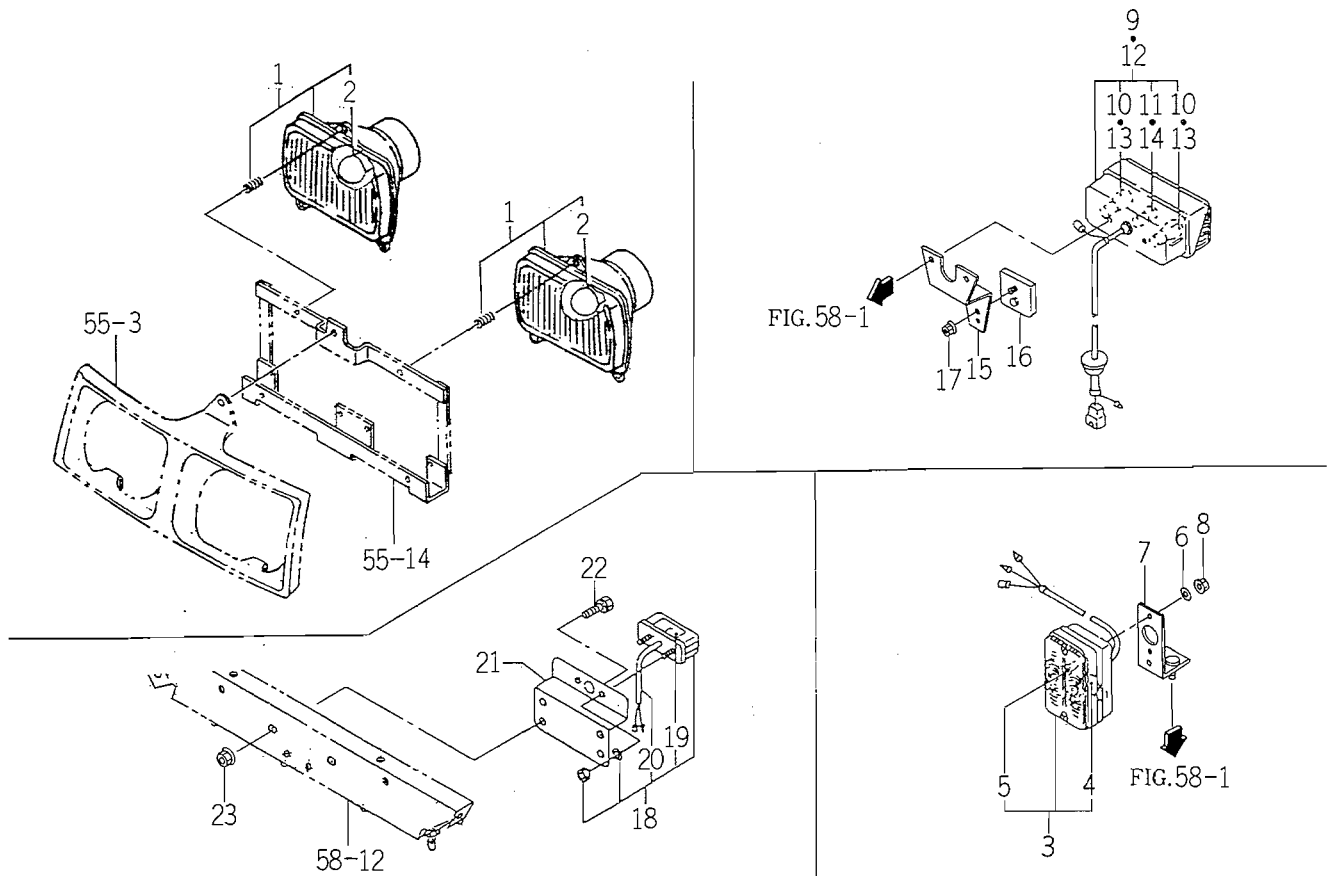
FIG. 58 FENDER SYSTEM



1682-666A

KEY	PART CODE	DESCRIPTION	QTY	TYPE OF MODEL		I T C	C O L	G R P	REMARKS
				TM215H	TM217H				
1	1682 - 606 - 250 - 20	FENDER/LH COMP	1	*	*			4G	
2	1682 - 606 - 260 - 20	FENDER/RH COMP	1	*	*			4G	
3	1444 - 621 - 016 - 00	CAP,RUBBER (9)	4	*	*				
4	1672 - 606 - 001 - 00	HOLDER/FENDER/LH	1	*	*				
5	1672 - 606 - 002 - 00	HOLDER/FENDER/RH	1	*	*				
6	V201 - 261 - 202 - 50	BOLT/M12X25	4	*	*				
7	V401 - 160 - 012 - 00	WASHER,SP/M12	4	*	*				
8	V411 - 260 - 012 - 00	WASHER /M12	4	*	*				
9	V211 - 360 - 801 - 60	BOLT,SEMS (SP)	8	*	*				
10	V362 - 260 - 008 - 00	NUT/WASHER	8	*	*				
11	1425 - 621 - 004 - 00	CLAMP,HARNESS	1	*	*				
12	1682 - 606 - 270 - 10	STAY/FENDER COMP	1	*	*			7F	
13	V211 - 360 - 802 - 00	BOLT (SP) M8X20	2	*	*				
14	1682 - 606 - 230 - 10	STAY/PLATE COMP	1	*	*				
15	V211 - 360 - 802 - 00	BOLT (SP) M8X20	2	*	*				
16	1620 - 626 - 600 - 00	PLATE COMP	1	*	*				
17	1566 - 525 - 101 - 00	HOOK, TOP LINK	1	*	*				
18	1425 - 621 - 004 - 00	CLAMP,HARNESS	1	*	*				
19	V211 - 360 - 801 - 60	BOLT,SEMS (SP)	3	*	*				
20	3670 - 236 - 003 - 00	GRIP	2	*	*				
21	V120 - 376 - 002 - 00	SCREW/SP	4	*	*				
22	V361 - 260 - 006 - 00	NUT	4	*	*				

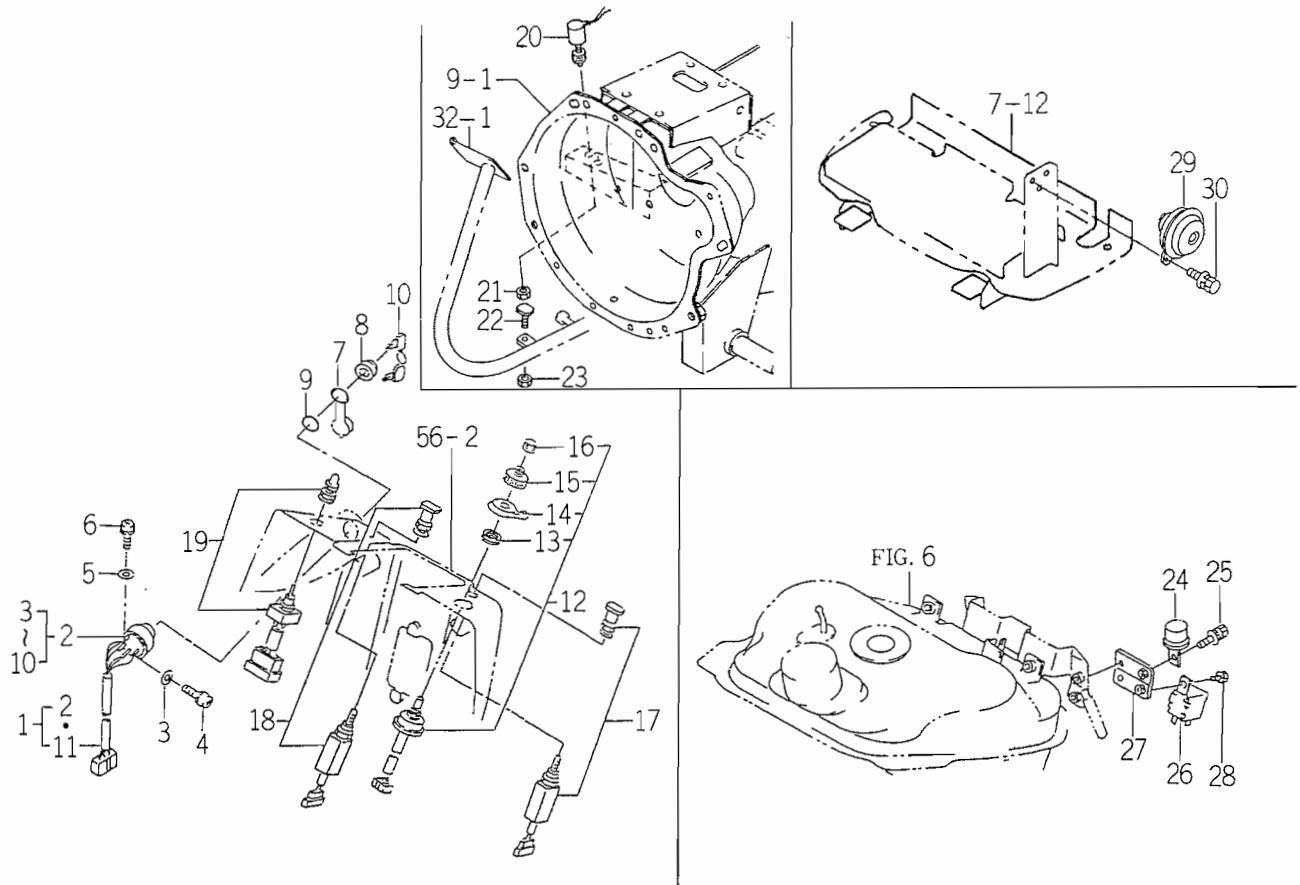
FIG. 63 LAMP SYSTEM



1682-650

KEY	PART CODE	DESCRIPTION	QTY	TYPE OF MODEL		I T C	C O L	G R P	REMARKS
				TM215H	TM217H				
1	1674 - 652 - 200 - 00	LAMP/HEAD ASSY	2	*	*				
2	1674 - 652 - 202 - 00	BULB/12V/45/40W	2	*	*				
3	1674 - 654 - 200 - 00	LAMP/FRONT SET	2	*	*				
4	1674 - 654 - 211 - 00	BULB/12V21W	2	*	*				
5	1674 - 654 - 212 - 00	BULB/12V5W	2	*	*				
6	V411 - 260 - 005 - 00	WASHER,PL/M 5	4	*	*				
7	1682 - 660 - 220 - 00	PLATE/L/50X117 COMP	2	*	*				
8	V362 - 260 - 008 - 00	NUT/WASHER	4	*	*				
9	1674 - 654 - 240 - 00	LAMP/COMBI/REAR/LH	1	*	*				
10	1674 - 654 - 211 - 00	BULB/12V21W	2	*	*				
11	1674 - 654 - 212 - 00	BULB/12V5W	1	*	*				
12	1674 - 654 - 260 - 00	LAMP/COMBI/REAR/RH	1	*	*				
13	1674 - 654 - 211 - 00	BULB/12V21W	2	*	*				
14	1674 - 654 - 212 - 00	BULB/12V5W	1	*	*				
15	1682 - 660 - 003 - 00	BRACKET/REFLECTOR	2	*	*				
16	1600 - 622 - 321 - 00	REFLECTOR	2	*	*				
17	V361 - 260 - 006 - 00	NUT	2	*	*				
18	1674 - 654 - 270 - 00	LAMP/NUMBERPLAT SET	1	*	*				
19	1674 - 654 - 271 - 00	BULB/12V/5W	1	*	*				
20	1674 - 654 - 272 - 00	HARNESS/LAMP	1	*	*				
21	1594 - 654 - 261 - 10	BRACKET/LAMP/NUMBER	1	*	*				
22	V211 - 260 - 801 - 60	BOLT,SEMS (S) M8X16	2	*	*				
23	V362 - 260 - 008 - 00	NUT/WASHER	2	*	*				

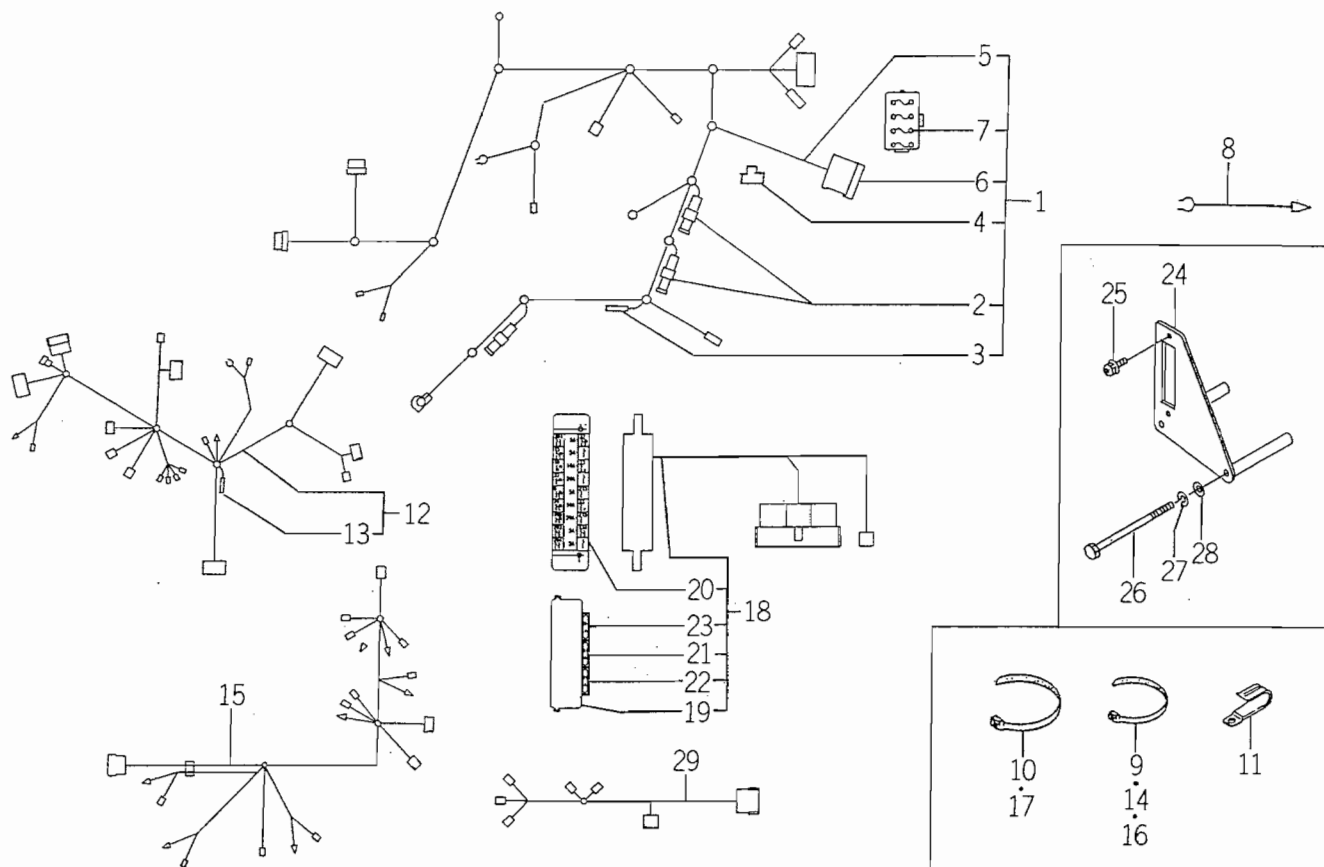
FIG. 65 SWITCH SYSTEM



1685-680A

KEY	PART CODE	DESCRIPTION	QTY	TYPE OF MODEL		I T C	C O L	G R P	REMARKS
				TM215H	TM217H				
1	1575 - 623 - 210 - 00	SWITCH,STARTER ASSY	1	*	*				
2	1488 - 621 - 220 - 10	SWITCH,STARTER SET	1	*	*				
3	V411 - 260 - 004 - 00	WASHER,PL/M4	3	*	*				
4	V120 - 264 - 000 - 80	SCREW,PLUS/M4X8	3	*	*				
5	V411 - 260 - 005 - 00	WASHER,PL/M 5	3	*	*				
6	V120 - 265 - 001 - 00	SCREW,PLUS/M5X0.8X8	3	*	*				
7	1444 - 621 - 311 - 00	CAP	1	*	*				
8	1444 - 621 - 312 - 00	NUT,RING/M28X1.0	1	*	*				
9	1444 - 621 - 313 - 00	WASHER	1	*	*				
10	1444 - 621 - 320 - 00	KEY ASSY	1	*	*				
11	1575 - 623 - 211 - 00	HARNES/STARTER	1	*	*				
12	1544 - 623 - 001 - 00	SWITCH ASSY	1	*	*				
13	1544 - 623 - 232 - 00	NUT/M22	1	*	*				
14	1544 - 623 - 233 - 00	LEVER	1	*	*				
15	1544 - 623 - 234 - 00	KNOB	1	*	*				
16	1544 - 623 - 235 - 00	BOOT/HORN	1	*	*				
17	1600 - 623 - 200 - 00	SWITCH	1	*	*				
18	1600 - 623 - 210 - 00	SWITCH,LAMP ASSY	1	*	*				
19	1600 - 623 - 220 - 00	SWITCH,HAZARD ASSY	1	*	*				
20	1518 - 621 - 320 - 00	SWITCH,STOP	1	*	*				
21	V335 - 260 - 012 - 00	NUT	1	*	*				
22	3652 - 283 - 006 - 00	BOLT,ADJUST	1	*	*				
23	V304 - 260 - 008 - 00	NUT/M 8	1	*	*				
24	1600 - 623 - 002 - 00	FLASHER ASSY	1	*	*				
25	V210 - 360 - 601 - 60	BOLT (SP) /M6X16	1	*	*				

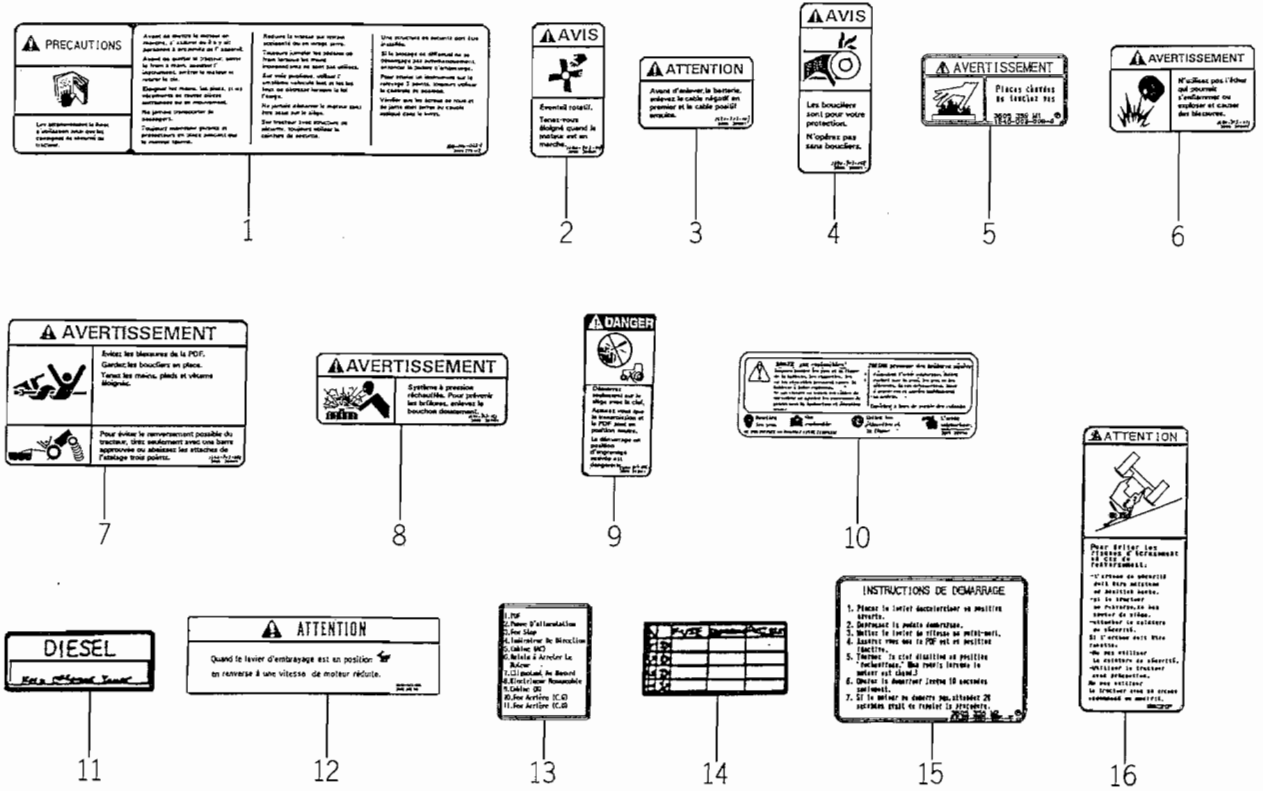
FIG. 66 HARNESS SYSTEM



1563-690A

KEY	PART CODE	DESCRIPTION	QTY	TYPE OF MODEL		I T C	C O L	G R P	REMARKS
				TM215H	TM217H				
1	1682 - 690 - 300 - 30	HARNESS/ENGINE/E4	1	*	*				
2	1614 - 690 - 202 - 00	FUSE/SLOWBLOW	2	*	*				
3	1560 - 666 - 212 - 00	DIODE	2	*	*				
4	3650 - 261 - 261 - 00	LINK,FUSIBLE	1	*	*				
5	1620 - 690 - 341 - 00	HARNESS/ENGINE	1	*	*				
6	1593 - 623 - 503 - 00	CAP,FUSE BOX	1	*	*				
7	1560 - 664 - 264 - 00	FUSE,BLADE	4	*	*				
8	1600 - 624 - 004 - 00	HARNESS,OIL PRESSURE	1	*	*				
9	1376 - 402 - 003 - 00	BAND,WIRE/140	8	*	*				
10	1342 - 402 - 006 - 00	BAND,WIRE/250	2	*	*				
11	1425 - 621 - 004 - 00	CLAMP,HARNESS	1	*	*				
12	1682 - 690 - 310 - 30	HARNESS/MAIN/E4 ASSY	1	*	*				
13	1560 - 666 - 212 - 00	DIODE	1	*	*				
14	1376 - 402 - 003 - 00	BAND,WIRE/140	1	*	*				
15	1683 - 690 - 620 - 00	HARNESS/REAR/E4 ASSY	1	*	*				
15	1376 - 402 - 003 - 00	BAND,WIRE/140	5	*	*				
17	1342 - 402 - 006 - 00	BAND,WIRE/250	1	*	*				
18	1682 - 690 - 340 - 00	HARNESS/FUSE ASSY	1	*	*				
19	1650 - 650 - 246 - 00	COVER/FUSE	1	*	*				
20	1650 - 652 - 253 - 20	LABEL/FUSE/MAIN	1	*	*				
21	1575 - 623 - 010 - 00	FUSE/32V10A	3	*	*				
22	1593 - 623 - 203 - 00	FUSE/32V20A	3	*	*				
23	1560 - 664 - 264 - 00	FUSE,BLADE	6	*	*				
24	1682 - 690 - 360 - 10	BRACKET/FUSE COMP	1	*	*				
25	V120 - 366 - 001 - 60	SCREW	2	*	*				

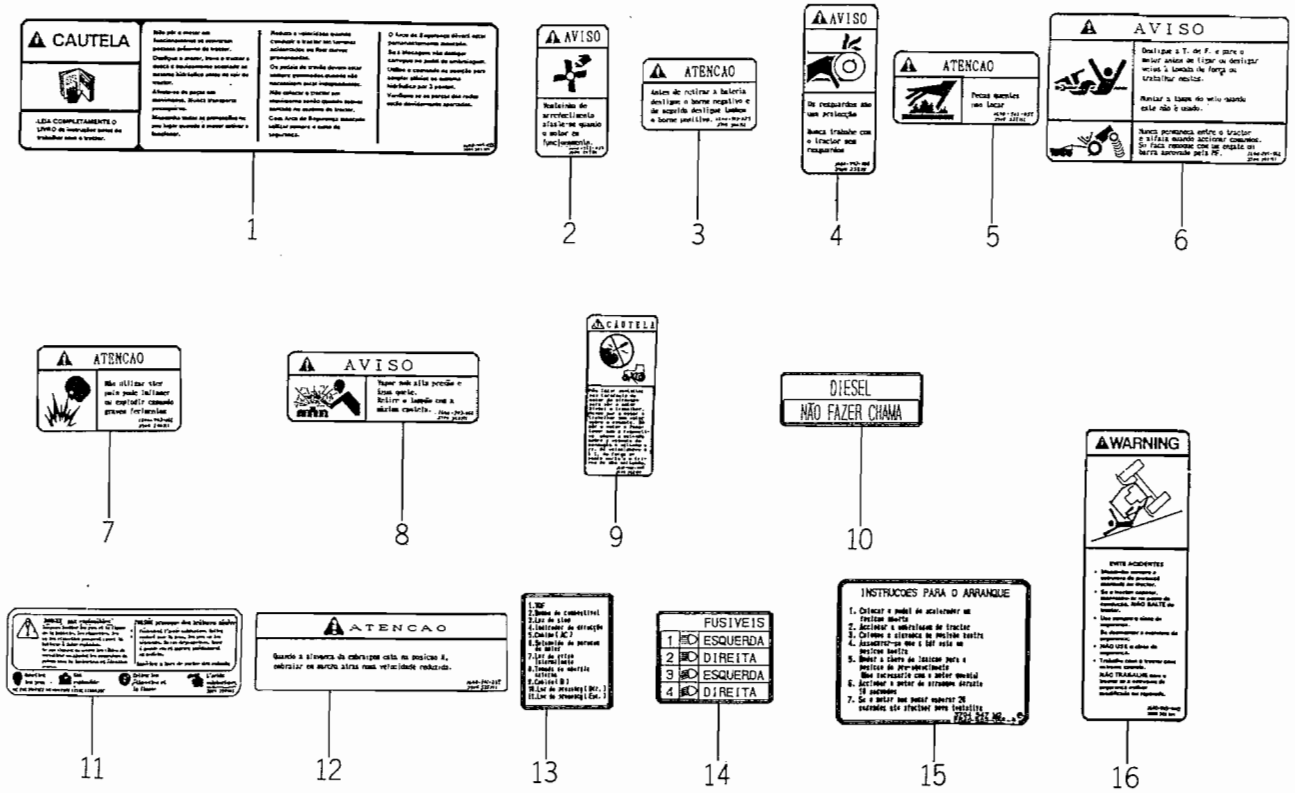
FIG. 71 LABEL (FRANCE) (OPTION)



1620-904A

KEY	PART CODE	DESCRIPTION	QTY	TYPE OF MODEL		I T C	C O L	G R P	REMARKS
				TM215H	TM217H				
1	1640 - 904 - 023 - 10	LABEL/C/DRIVE/F	1	T	T				
2	1640 - 903 - 006 - 00	LABEL/W/FAN	2	T	T				
3	1640 - 903 - 007 - 00	LABEL/C/BATTERY	1	T	T				
4	1640 - 903 - 008 - 00	LABEL/W/SHIELD	2	T	T				
5	1640 - 903 - 009 - 00	LABEL/W/MUFFLER	1	T	T				
6	1640 - 903 - 011 - 00	LABEL/W/ETHER	1	T	T				
7	1640 - 903 - 012 - 00	LABEL/W/SHIELD/PTO	1	T	T				
8	1640 - 903 - 013 - 00	LABEL/W/RADIATOR	1	T	T				
9	1640 - 903 - 015 - 00	LABEL/D/STARTER	1	T	T				
10	1640 - 903 - 016 - 00	LABEL/D/BATTERY	1	T	T				
11	1427 - 934 - 013 - 00	MARK,FUEL/FR	1	T	T				
12	1640 - 903 - 019 - 10	LABEL/C/SHIFT	1	T	T				
13	1620 - 904 - 007 - 00	LABEL/FUSE/11	1	T	T				
14	1594 - 904 - 025 - 00	MARK,FUSE/4	1	T	T				
15	1640 - 903 - 005 - 10	LABEL/START/F	1	T	T				
16	1640 - 903 - 046 - 00	LABEL/W/ROPS/E50	1	T	T				

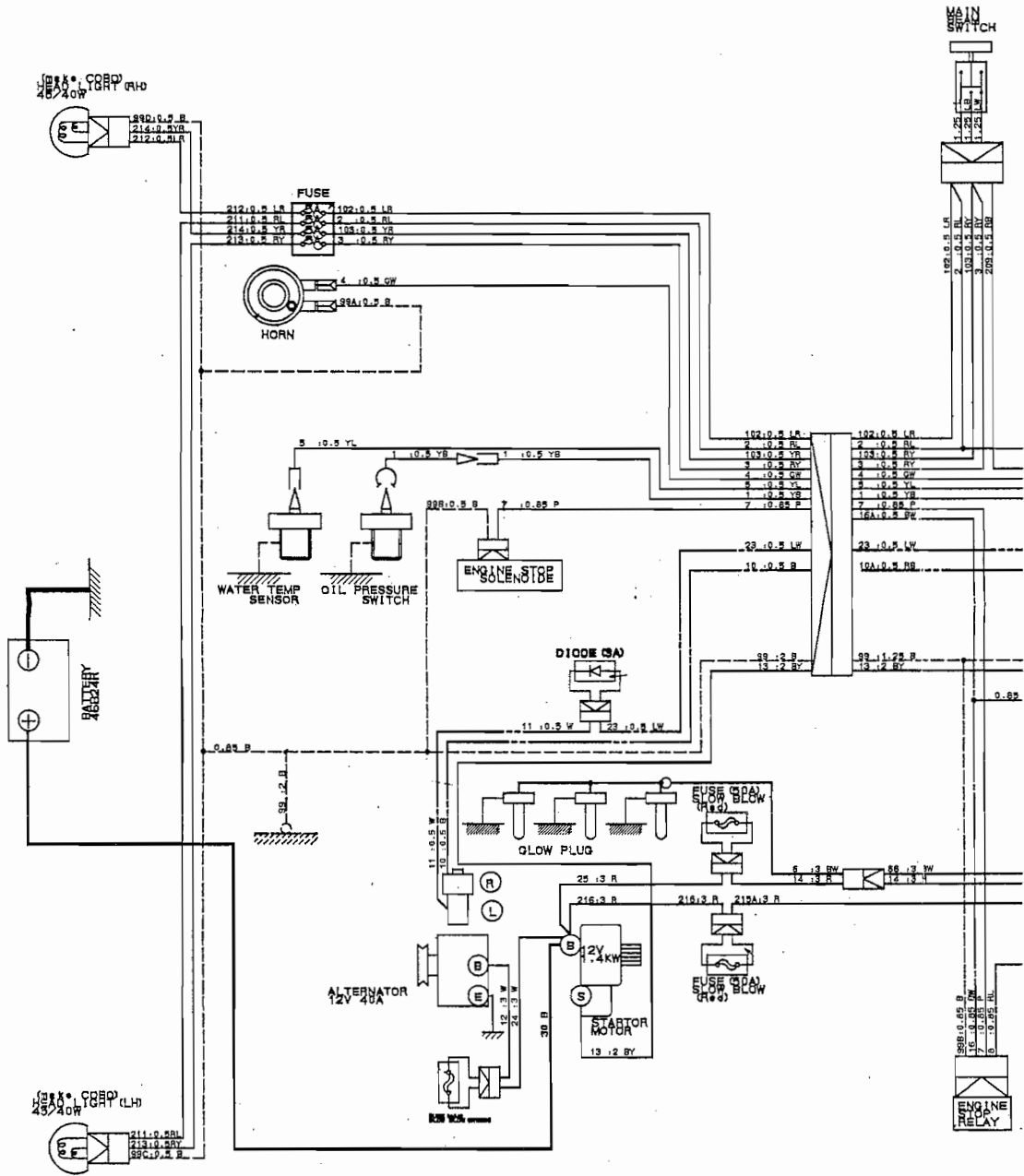
FIG. 73 LABEL (PORTUGAL) (OPTION)



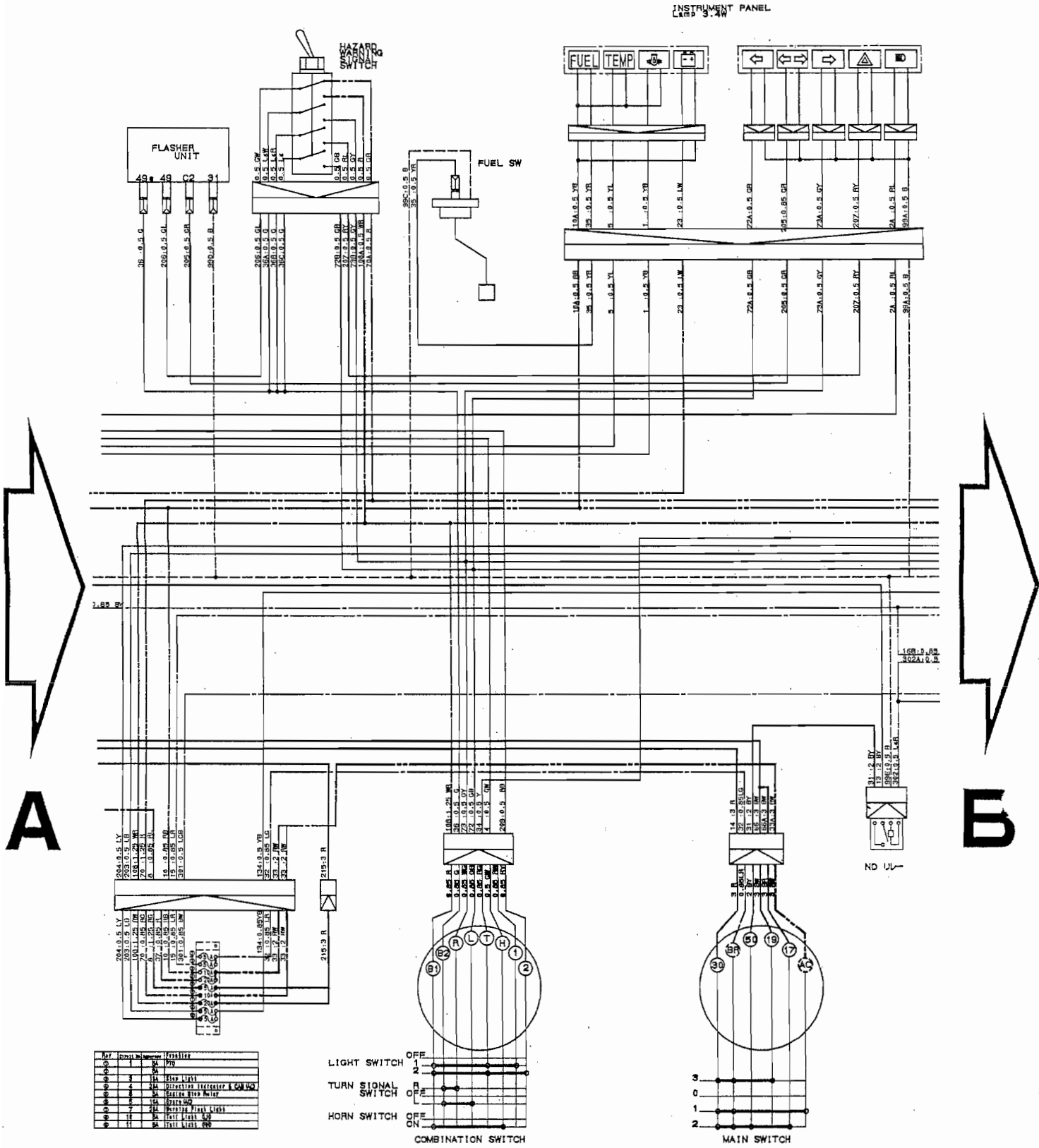
1620-904C

KEY	PART CODE	DESCRIPTION	QTY	TYPE OF MODEL		I T C	C O L	G R P	REMARKS
				TM215H	TM217H				
1	1640 - 904 - 025 - 00	LABEL/C/DRIVE/P	1	T	T				
2	1640 - 903 - 056 - 00	LABEL/W/FAN	2	T	T				
3	1640 - 903 - 057 - 00	LABEL/C/BATTERY	1	T	T				
4	1640 - 903 - 058 - 00	LABEL/W/SHIELD	2	T	T				
5	1640 - 903 - 059 - 00	LABEL/W/MUFFLER	1	T	T				
6	1640 - 903 - 062 - 00	LABEL/W/SHIELD/PTO	1	T	T				
7	1640 - 903 - 061 - 00	LABEL/W/ETHER	1	T	T				
8	1640 - 903 - 063 - 00	LABEL/W/RADIATOR	1	T	T				
9	1640 - 903 - 065 - 00	LABEL/D/STARTER	1	T	T				
10	1640 - 903 - 067 - 00	LABEL/FUEL/P	1	T	T				
11	1640 - 903 - 066 - 00	LABEL/D/BATTERY	1	T	T				
12	1640 - 903 - 069 - 00	LABEL/C/SHIFT	1	T	T				
13	1620 - 904 - 009 - 00	LABEL/FUSE/11	1	T	T				
14	1640 - 903 - 052 - 00	LABEL/FUSE/4	1	T	T				
15	1640 - 903 - 055 - 10	LABEL/START/P	1	T	T				
16	1640 - 903 - 048 - 00	LABEL/W/ROPS/E40P	1	T	T				

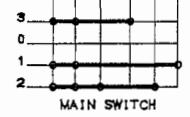
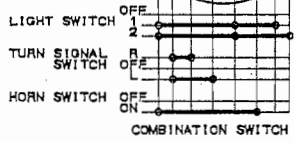
WIRING DIAGRAM (E4) (1)



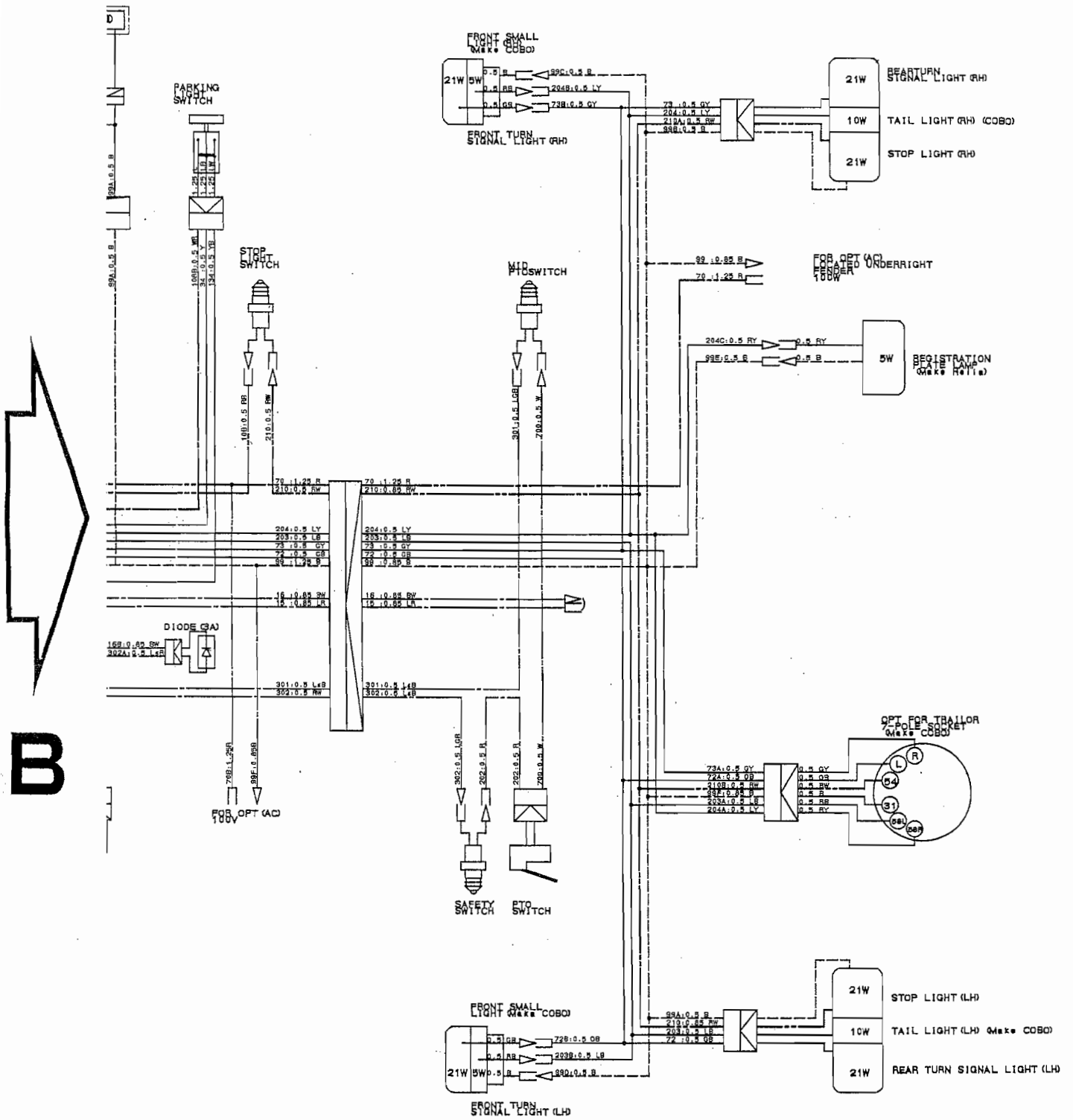
WIRING DIAGRAM (E4) (2)



Wiring	Terminal	Function	Wiring
①	1	IGN	IGN
②	2	IGN	IGN
③	3	IGN	IGN
④	4	IGN	IGN
⑤	5	IGN	IGN
⑥	6	IGN	IGN
⑦	7	IGN	IGN
⑧	8	IGN	IGN
⑨	9	IGN	IGN
⑩	10	IGN	IGN
⑪	11	IGN	IGN



WIRING DIAGRAM (E4) (3)



B

NUMERICAL INDEX

6003-097-170-00

PART CODE	FIG. KEY	PART CODE	FIG. KEY	PART CODE	FIG. KEY
J061-210-015-00	17 23	6209-046-001-00	9 18	6211-342-002-10	8 2
J062-062-067-00	21 5	6209-050-001-00	9 35	6211-361-010-10	7 1
J062-076-082-00	21 4	6209-050-002-00	9 36	6211-510-001-00	5 10
P117-303-003-00	9 25	6209-056-001-00	20 7	6211-511-003-00	5 11
V203-361-004-50	22 8	6209-300-002-00	17 18	6211-511-004-00	5 12
V211-560-802-00	3 3	6209-300-004-00	8 5	6211-540-001-00	6 1
	9 14	6209-300-013-00	5 29	6211-560-001-00	6 3
	17 19	6209-360-010-00	21 2	6211-599-001-10	5 13
	17 27	6209-360-028-10	2 6		6 2
	22 3	6209-409-001-00	9 21		6 4
V211-560-802-50	4 3	6209-409-003-00	11 18	6211-715-002-00	1 5
V341-120-008-00	9 22	6209-440-003-00	13 7	6211-721-001-00	1 6
V411-260-006-00	20 39	6209-490-002-00	2 4	6211-721-002-00	1 7
V523-101-001-80	15 2	6209-500-003-00	9 19	6211-751-001-10	2 2
V600-110-600-40	20 12	6209-580-002-10	20 36	6211-760-012-20	5 28
V600-110-600-50	9 52	6209-587-001-00	13 4	6211-777-007-20	10 1
V600-110-620-30	20 11	6209-605-004-00	1 4	6212-111-015-10	13 1
V600-150-600-20	15 8	6209-605-005-10	5 30	6212-114-015-10	14 1
V682-200-000-60	1 9	6209-610-001-00	5 3	6212-116-015-10	14 3
V704-140-016-00	11 16	6209-610-002-10	9 4	6212-121-008-00	13 2
V705-140-012-00	9 34	6209-625-001-00	5 14	6212-124-008-00	14 2
V710-140-004-00	20 21	6209-625-002-00	9 9	6212-126-008-00	14 4
	20 32	6209-630-002-10	23 6	6212-211-001-10	13 3
V720-101-900-80	20 35	6209-740-001-00	9 29	6212-230-003-00	13 5
V720-102-401-50	16 9	6209-740-004-00	5 17	6212-235-001-00	13 6
V720-102-401-80	7 3	6209-749-001-10	5 15	6212-261-006-00	13 8
V723-102-002-40	9 39		9 49	6212-264-006-00	6 5
V723-102-003-60	9 43	6209-940-004-00	11 15	6212-266-006-00	6 6
V723-102-005-00	9 48	6211-110-020-20	1 1	6212-310-008-10	15 1
V723-102-005-50	17 31	6211-141-008-20	1 10	6212-330-017-20	15 5
1373-121-001-00	22 4	6211-150-008-00	1 2	6212-333-001-00	15 6
1425-621-004-00	9 17	6211-170-004-10	2 1	6212-370-011-00	15 10
3625-301-002-00	7 2	6211-173-003-00	2 3	6212-871-009-00	15 11
3625-540-004-00	9 41	6211-210-050-10	5 1	6212-372-002-10	15 12
6209-000-002-00	11 19	6211-258-001-00	5 8	6212-379-001-00	15 15
6209-000-003-00	1 11	6211-258-002-00	5 9	6212-511-002-00	12 1
6209-000-004-10	5 2	6211-291-016-00	5 24	6212-521-002-00	15 3
6209-000-013-00	15 9	6211-292-001-20	5 25	6212-522-003-00	12 2
6209-009-001-00	16 6	6211-310-021-00	9 1	6212-523-003-00	12 6
6209-030-005-00	9 10	6211-311-011-00	9 44	6212-524-002-00	20 9
6209-030-006-00	9 16	6211-312-002-20	9 45	6212-530-005-10	9 51
	17 28	6211-312-003-10	9 30	6212-531-005-10	5 6
6209-030-043-00	20 16	6211-319-003-00	9 47	6212-535-001-00	12 4
6209-030-044-00	18 4	6211-322-002-00	9 56	6212-535-002-00	20 13
6209-031-083-00	22 5	6211-341-032-00	8 1	6212-551-001-00	11 1

6003-097-170-00

PART CODE	FIG. KEY	PART CODE	FIG. KEY	PART CODE	FIG. KEY
6212-552-001-00	11 2	6213-671-003-00	18 5	6215-542-006-00	20 20
6212-561-001-00	11 3	6213-674-006-10	22 2	6215-543-001-10	20 19
6212-563-001-00	11 4	6213-711-003-20	17 30	6215-546-003-00	9 20
6212-565-001-00	11 5	6213-716-001-40	17 24	6215-549-001-10	5 27
6212-569-002-00	1 8	6213-721-003-00	17 25	6215-549-003-00	20 22
6212-571-001-10	11 6	6213-721-007-00	5 23	6215-549-005-10	20 26
6212-575-001-00	11 7	6213-729-013-00	17 22	6215-549-006-00	20 27
6212-600-002-00	11 8	6213-743-002-10	17 26	6215-549-007-10	20 37
6212-611-004-10	11 9	6214-111-011-20	3 1	6215-549-008-00	20 41
6212-616-002-00	11 17	6214-115-001-20	3 2	6215-549-009-00	20 28
6212-620-001-10	11 10	6214-141-010-10	4 1	6215-549-010-00	20 29
6212-621-002-10	11 11	6214-145-001-30	4 2	6215-549-023-00	20 30
6212-626-002-10	11 12	6215-300-005-00	19 1	6215-549-024-00	20 31
6212-628-004-00	11 13	6215-311-005-00	24 1	6215-549-027-10	20 25
6212-628-005-00	11 14	6215-315-002-00	19 2	6215-549-028-00	20 24
6213-100-003-20	16 1	6215-330-007-00	24 2	6215-600-113-00	20 1
6213-111-001-20	16 2	6215-332-002-00	24 16	6215-611-002-00	25 1
6213-120-003-00	16 3	6215-339-002-00	24 15	6215-612-002-00	25 49
6213-125-001-00	16 4	6215-342-002-00	24 3	6215-619-012-00	25 50
6213-140-008-00	16 8	6215-343-002-00	24 4	6215-619-014-00	25 53
6213-149-002-00	16 10	6215-345-044-00	24 5		25 57
6213-160-002-00	9 31	6215-345-045-00	24 6	6215-619-015-00	25 54
6213-161-001-00	9 32	6215-345-046-00	24 7	6215-619-016-00	25 55
6213-164-001-00	9 33	6215-345-047-00	24 8	6215-619-026-00	25 56
6213-211-001-10	9 42	6215-345-048-00	24 9	6215-619-030-00	25 52
6213-240-002-00	16 15	6215-345-049-00	24 10	6215-621-001-30	20 8
6213-311-003-10	16 12	6215-345-050-00	24 11	6215-622-002-00	25 12
6213-319-004-00	9 2	6215-345-051-00	24 12	6215-629-017-00	25 13
6213-610-005-30	17 1	6215-345-052-00	24 13	6215-629-018-00	25 14
6213-611-003-20	17 2	6215-345-053-00	24 14	6215-629-020-00	25 18
6213-612-004-00	17 9	6215-355-003-00	24 18	6215-629-021-00	25 19
6213-613-002-10	17 8	6215-359-003-00	24 17	6215-629-022-00	25 20
6213-614-003-10	17 12	6215-359-004-00	24 19	6215-629-023-00	25 21
6213-614-006-10	17 17	6215-410-035-10	19 3	6215-629-024-00	25 22
6213-619-002-00	17 11	6215-410-036-10	19 4	6215-629-025-00	25 23
6213-619-003-00	17 10	6215-410-057-00	19 5	6215-629-026-00	25 24
6213-619-005-00	17 16	6215-412-006-00	21 1	6215-629-027-00	25 25
6213-621-003-00	17 6	6215-520-001-00	20 15	6215-629-028-00	25 26
6213-622-002-10	17 5	6215-526-001-10	20 17	6215-629-029-00	25 27
6213-631-002-00	17 3	6215-531-021-00	20 33	6215-629-030-00	25 28
6213-631-005-00	17 4	6215-541-001-00	20 18	6215-629-031-00	25 29
6213-641-002-00	18 2	6215-541-016-30	20 23	6215-629-032-00	25 30
6213-642-002-00	17 7	6215-541-024-10	20 34	6215-629-033-00	25 31
6213-660-007-00	18 1	6215-542-004-20	9 24	6215-629-034-00	25 32
6213-669-008-00	18 3	6215-542-005-00	9 26	6215-629-068-00	25 33

PART CODE	FIG. KEY	PART CODE	FIG. KEY	PART CODE	FIG. KEY
6215-629-069-00	25 34	6281-129-009-00	26 19	6581-129-092-00	26 15
6215-629-070-00	25 35	6281-129-010-00	26 4	6581-129-096-00	26 16
6215-629-071-00	25 36	6281-129-011-00	26 5	6581-129-099-00	26 13
6215-629-072-00	25 37	6281-129-020-00	26 7	6581-129-100-00	26 14
6215-629-073-00	25 38	6281-151-005-00	26 8	6894-453-344-00	5 21
6215-629-074-00	25 39	6281-200-005-00	22 1	6901-050-850-00	11 20
6215-629-075-00	25 40	6281-213-006-00	27 7	6901-066-645-00	15 16
6215-629-076-00	25 41	6281-214-003-00	27 12	6901-910-612-00	7 4
6215-629-077-00	25 42	6281-214-004-00	27 13		12 5
6215-629-078-00	25 43	6281-215-001-00	27 17		20 14
6215-629-079-00	25 44	6281-216-001-00	27 18		23 7
6215-629-080-00	25 45	6281-217-001-00	27 16	6901-910-614-00	5 26
6215-629-081-00	25 46	6281-221-001-00	27 4	6901-910-616-00	9 40
6215-629-082-00	25 47	6281-222-004-00	27 1	6901-910-625-00	16 7
6215-631-017-00	25 2	6281-229-002-00	27 2	6901-910-816-00	16 11
6215-634-002-00	25 15	6281-229-003-00	27 3	6901-910-830-00	17 32
6215-635-002-00	25 8	6281-229-004-00	27 6	6901-910-840-00	3 4
6215-635-008-00	25 51	6281-229-005-00	27 5	6901-910-845-00	9 15
6215-637-002-00	25 48	6281-229-006-00	27 8		17 13
6215-639-006-00	25 16	6281-229-007-00	27 9	6901-911-020-00	8 3
6215-639-007-00	25 17	6281-229-008-00	27 11		10 2
6215-641-002-00	25 3	6281-229-009-00	27 10	6902-050-610-00	15 13
6215-643-002-00	25 4	6281-229-011-00	27 15	6902-050-816-00	9 46
6215-644-003-00	25 6	6281-229-012-00	27 19	6904-110-818-00	5 19
6215-649-003-00	25 5	6281-229-013-00	27 20	6904-110-822-00	9 5
6215-649-004-00	25 7	6281-229-014-00	27 21		9 50
6215-649-005-00	25 9	6281-229-015-00	27 22	6904-110-840-00	5 20
6215-649-006-00	25 10	6281-229-016-00	27 23	6904-110-850-00	9 7
6215-649-007-00	25 11	6281-229-017-00	27 24	6904-110-855-00	9 6
6219-310-003-10	9 38	6281-229-018-00	27 25	6908-000-716-00	12 3
6219-732-002-00	23 4	6281-229-029-00	27 14		20 10
6219-752-001-00	20 2	6281-271-002-00	27 26	6908-000-750-00	15 4
6219-752-002-00	20 3	6281-410-014-00	23 3	6908-160-408-00	16 5
6219-752-003-00	20 4	6281-910-001-00	23 5	6908-160-510-00	5 18
6219-752-004-00	20 5	6281-920-001-00	23 8		9 8
6219-752-005-00	20 6	6281-971-003-00	23 1	6908-160-816-00	5 16
6281-100-005-00	22 7	6282-450-002-00	23 2		8 4
6281-111-002-00	26 1	6509-000-084-00	9 11		15 7
6281-115-005-00	26 11	6509-605-019-10	5 5	6909-110-406-00	9 37
6281-116-002-00	26 2		9 3		20 38
6281-118-002-00	26 9	6511-321-083-00	9 55	6909-110-408-00	9 53
6281-121-003-00	26 3	6513-770-022-10	17 29		9 57
6281-124-001-00	26 6	6515-419-014-00	21 3		26 22
6281-129-006-00	26 17	6581-117-007-00	26 10	6909-110-410-00	22 6
6281-129-008-00	26 18	6581-123-011-00	26 12		22 9

6003-097-170-00

PART CODE	FIG. KEY	PART CODE	FIG. KEY	PART CODE	FIG. KEY
6909-110-508-00	9 12 11 21 17 14 17 20				
6909-111-508-00	26 20				
6909-150-506-00	15 14 20 40				
6909-150-508-00	9 13 9 54 9 58				
6909-150-510-00	17 15 17 21 26 21 22 10				
6909-164-508-00	11 22				
6909-202-308-00	9 27				
6909-572-008-00	2 5				
6909-830-212-00	1 12				
6909-902-299-00	5 22				
6909-906-105-10	16 13				
6909-920-843-00	9 23 9 28 16 14				
6911-129-006-00	1 3				
6911-129-083-00	5 7				
6911-219-195-00	5 4				

NUMERICAL INDEX

6004-097-190-00

PART CODE	FIG. KEY	PART CODE	FIG. KEY	PART CODE	FIG. KEY
J061-210-015-00	17 23	6209-050-001-00	9 33	6211-511-003-00	5 11
J062-076-082-00	21 3	6209-050-002-00	9 34	6211-511-004-00	5 12
P117-303-003-00	9 23	6209-300-004-00	8 5	6211-540-001-00	6 1
V201-360-802-00	20 7	6209-300-013-00	5 31	6211-560-001-00	6 3
V203-361-004-50	22 8	6209-360-010-00	21 2	6211-599-001-10	5 13
V211-560-802-00	3 3	6209-360-028-10	2 6		6 2
	9 12	6209-409-001-00	9 19		6 4
	17 19	6209-409-003-00	11 18	6211-715-002-00	1 5
	17 27	6209-440-003-00	13 7	6211-721-001-00	1 6
	22 3	6209-490-002-00	2 4	6211-721-002-00	1 7
V211-560-802-50	4 3	6209-500-003-00	9 17	6211-751-001-10	2 2
V341-120-008-00	9 20	6209-580-002-10	20 37	6211-760-012-20	5 30
V411-260-006-00	20 40	6209-587-001-00	13 4	6211-777-007-20	10 1
V523-101-001-80	15 2	6209-605-004-00	1 4	6212-111-013-10	13 1
V600-110-600-40	20 14	6209-610-001-00	5 3	6212-114-013-10	14 1
V600-110-600-50	9 48	6209-610-002-10	9 3	6212-116-013-10	14 3
V600-110-620-30	20 13	6209-625-001-00	5 14	6212-121-008-00	13 2
V600-150-600-20	15 8	6209-625-002-00	9 7	6212-124-008-00	14 2
V682-200-000-60	1 9	6209-630-002-10	23 6	6212-126-008-00	14 4
V704-140-016-00	11 16	6209-740-001-00	9 27	6212-211-001-10	13 3
V705-140-012-00	9 32	6209-740-004-00	5 17	6212-230-004-00	13 5
V710-140-004-00	20 23	6209-740-005-00	5 18	6212-235-001-00	13 6
	20 33	6209-749-001-10	5 15	6212-261-006-00	13 8
V720-101-900-80	20 36		9 45	6212-264-006-00	6 5
V720-102-401-50	16 9	6209-940-004-00	11 15	6212-266-006-00	6 6
V720-102-401-80	7 3	6211-110-014-20	1 1	6212-310-009-00	15 1
V723-102-002-40	9 37	6211-141-008-20	1 10	6212-330-017-20	15 5
V723-102-005-00	9 44	6211-150-011-00	1 2	6212-333-001-00	15 6
V723-102-005-50	17 31	6211-170-004-10	2 1	6212-370-011-00	15 10
1373-121-001-00	22 4	6211-173-003-00	2 3	6212-371-009-00	15 11
1425-621-004-00	9 15	6211-210-046-00	5 1	6212-372-002-10	15 12
3625-301-002-00	7 2	6211-258-001-00	5 8	6212-379-001-00	15 15
3625-540-004-00	9 39	6211-258-002-00	5 9	6212-511-002-00	12 1
6209-000-002-00	11 19	6211-291-016-00	5 26	6212-521-002-00	15 3
6209-000-003-00	1 11	6211-292-001-20	5 27	6212-522-003-00	12 2
6209-000-004-10	5 2	6211-310-012-10	9 1	6212-523-003-00	12 6
6209-000-013-00	15 9	6211-311-007-20	9 40	6212-524-002-00	20 11
6209-009-001-00	16 6	6211-312-003-10	9 28	6212-530-005-10	9 47
6209-030-005-00	9 8	6211-312-004-10	9 41	6212-531-005-10	5 6
6209-030-006-00	9 14	6211-319-003-00	9 43	6212-535-001-00	12 4
	17 28	6211-322-002-00	9 52	6212-535-002-00	20 15
6209-030-043-00	20 18	6211-341-032-00	8 1	6212-551-001-00	11 1
6209-030-044-00	18 4	6211-342-002-10	8 2	6212-552-001-00	11 2
6209-031-083-00	22 5	6211-361-010-10	7 1	6212-561-001-00	11 3
6209-046-001-00	9 16	6211-510-001-00	5 10	6212-563-001-00	11 4

6004-097-190-00

PART CODE	FIG. KEY	PART CODE	FIG. KEY	PART CODE	FIG. KEY
6212-565-001-00	11 5	6213-721-003-00	17 25	6215-345-011-00	24 18
6212-569-002-00	1 8	6213-721-007-00	5 24		25 18
6212-571-001-10	11 6	6213-729-013-00	17 22	6215-345-012-00	24 19
6212-575-002-00	11 7	6213-743-002-10	17 26		25 19
6212-600-002-00	11 8	6214-111-011-20	3 1	6215-345-013-00	24 20
6212-611-004-10	11 9	6214-115-001-20	3 2		25 20
6212-616-002-00	11 17	6214-141-010-10	4 1	6215-345-014-00	24 21
6212-620-001-10	11 10	6214-145-001-30	4 2		25 21
6212-621-002-10	11 11	6215-300-006-10	19 1	6215-345-015-00	24 22
6212-626-002-10	11 12	6215-300-009-10	19 2		25 22
6212-628-004-00	11 13	6215-311-019-00	24 1	6215-345-016-00	24 23
6212-628-005-00	11 14		25 1		25 23
6213-100-003-20	16 1	6215-315-002-00	19 3	6215-345-017-00	24 24
6213-111-001-20	16 2	6215-330-003-00	25 2		25 24
6213-120-003-00	16 3	6215-330-004-00	24 2	6215-345-018-00	24 25
6213-125-001-00	16 4	6215-331-001-00	25 3		25 25
6213-140-008-00	16 8	6215-331-002-00	24 3	6215-345-019-00	24 26
6213-149-002-00	16 10	6215-332-004-00	24 6		25 26
6213-160-002-00	9 29		25 6	6215-345-020-00	24 27
6213-161-001-00	9 30	6215-339-001-00	24 7		25 27
6213-164-001-00	9 31		25 7	6215-345-021-00	24 28
6213-240-002-00	16 15	6215-342-001-00	24 4		25 28
6213-311-006-00	16 12		25 4	6215-345-022-00	24 29
6213-319-001-00	5 25	6215-343-001-00	24 5		25 29
6213-610-005-30	17 1		25 5	6215-345-023-00	24 30
6213-611-003-20	17 2	6215-345-001-00	24 8		25 30
6213-612-004-00	17 9		25 8	6215-345-024-00	24 31
6213-613-002-10	17 8	6215-345-002-00	24 9		25 31
6213-614-003-10	17 12		25 9	6215-345-025-00	24 32
6213-614-004-10	17 17	6215-345-003-00	24 10		25 32
6213-619-001-00	17 16		25 10	6215-345-026-00	24 33
6213-619-002-00	17 11	6215-345-004-00	24 11		25 33
6213-619-003-00	17 10		25 11	6215-345-027-00	24 34
6213-621-003-00	17 6	6215-345-005-00	24 12		25 34
6213-622-002-10	17 5		25 12	6215-345-028-00	24 35
6213-631-002-00	17 3	6215-345-006-00	24 13		25 35
6213-631-005-00	17 4		25 13	6215-345-029-00	24 36
6213-641-002-00	18 2	6215-345-007-00	24 14		25 36
6213-642-002-00	17 7		25 14	6215-345-030-00	24 37
6213-660-007-00	18 1	6215-345-008-00	24 15		25 37
6213-669-008-00	18 3		25 15	6215-345-031-00	24 38
6213-671-003-00	18 5	6215-345-009-00	24 16		25 38
6213-674-006-10	22 2		25 16	6215-345-032-00	24 39
6213-711-003-20	17 30	6215-345-010-00	24 17		25 39
6213-716-001-40	17 24		25 17	6215-345-033-00	24 40

PART CODE	FIG. KEY	PART CODE	FIG. KEY	PART CODE	FIG. KEY
6215-345-033-00	25 40	6215-549-010-00	20 30	6219-310-003-10	9 36
6215-345-034-00	24 41	6215-549-012-00	20 42	6219-732-002-00	23 4
	25 41	6215-549-013-00	5 29	6219-752-006-00	20 2
6215-345-035-00	24 42	6215-549-019-00	20 27	6219-752-007-00	20 3
	25 42	6215-549-023-00	20 31	6219-752-008-00	20 4
6215-345-036-00	24 43	6215-549-024-00	20 32	6219-752-009-00	20 5
	25 43	6215-549-027-10	20 26	6219-752-010-00	20 6
6215-345-037-00	24 44	6215-549-028-00	20 25	6281-100-005-00	22 7
	25 44	6215-600-110-00	20 1	6281-111-002-00	27 1
6215-345-038-00	24 45	6215-611-001-00	26 8	6281-115-005-00	27 11
6215-345-039-00	25 45	6215-612-001-00	26 11	6281-116-002-00	27 2
	24 46	6215-619-010-00	26 2	6281-118-002-00	27 9
	25 46	6215-619-022-00	26 10	6281-121-003-00	27 3
6215-345-040-00	24 47	6215-619-027-00	26 1	6281-124-001-00	27 6
	25 47	6215-619-028-00	26 34	6281-129-006-00	27 17
6215-345-041-00	24 48	6215-619-029-00	26 35	6281-129-008-00	27 18
	25 48	6215-621-002-30	20 10	6281-129-009-00	27 19
6215-345-042-00	24 49	6215-622-001-00	26 14	6281-129-010-00	27 4
	25 49	6215-629-001-00	26 12	6281-129-011-00	27 5
6215-345-043-00	24 50	6215-629-002-00	26 13	6281-129-020-00	27 7
6215-355-001-00	25 50	6215-629-003-00	26 20	6281-151-005-00	27 8
	25 53	6215-629-004-00	26 21	6281-200-005-00	22 1
6215-355-002-00	24 53	6215-629-005-00	26 22	6281-213-006-00	28 7
6215-359-001-00	24 51	6215-629-006-00	26 23	6281-214-003-00	28 12
	25 51	6215-629-007-00	26 24	6281-214-004-00	28 13
6215-359-002-00	24 52	6215-629-008-00	26 25	6281-215-001-00	28 17
	25 52	6215-629-009-00	26 26	6281-216-001-00	28 18
6215-410-006-10	19 4	6215-629-010-00	26 27	6281-217-001-00	28 16
6215-410-007-10	19 5	6215-629-011-00	26 28	6281-221-001-00	28 4
6215-410-008-10	19 6	6215-629-012-00	26 29	6281-222-004-00	28 1
6215-412-007-00	21 1	6215-629-013-00	26 30	6281-229-002-00	28 2
6215-520-001-00	20 17	6215-629-014-00	26 31	6281-229-003-00	28 3
6215-526-001-10	20 19	6215-629-015-00	26 32	6281-229-004-00	28 6
6215-531-021-00	20 34	6215-629-016-00	26 33	6281-229-005-00	28 5
6215-541-001-00	20 20	6215-631-001-00	26 9	6281-229-006-00	28 8
6215-541-016-30	20 24	6215-634-001-00	26 18	6281-229-007-00	28 9
6215-541-024-10	20 35	6215-635-001-00	26 16	6281-229-008-00	28 11
6215-542-004-20	9 22	6215-637-001-00	26 15	6281-229-009-00	28 10
6215-542-005-00	9 24	6215-639-004-00	26 17	6281-229-011-00	28 15
6215-542-006-00	20 22	6215-639-005-00	26 19	6281-229-012-00	28 19
6215-543-002-10	20 21	6215-641-001-00	26 7	6281-229-013-00	28 20
6215-546-003-00	9 18	6215-643-001-00	26 3	6281-229-014-00	28 21
6215-549-006-00	20 28	6215-644-008-00	26 4	6281-229-015-00	28 22
6215-549-007-10	20 38	6215-649-001-00	26 5	6281-229-016-00	28 23
6215-549-009-00	20 29	6215-649-002-00	26 6	6281-229-017-00	28 24

6004-097-190-00

PART CODE	FIG. KEY	PART CODE	FIG. KEY	PART CODE	FIG. KEY
6281-229-018-00	28 25	6904-110-855-00	9 5		
6281-229-029-00	28 14	6908-000-716-00	12 3		
6281-271-002-00	28 26		20 12		
6281-410-002-20	23 3	6908-000-750-00	15 4		
6281-910-003-00	23 5	6908-160-408-00	16 5		
6281-920-001-00	23 8	6908-160-816-00	5 16		
6281-971-003-00	23 1		8 4		
6282-450-002-00	23 2		15 7		
6509-000-084-00	9 9	6909-110-406-00	9 35		
6509-605-019-10	5 5		20 39		
	9 2	6909-110-408-00	9 49		
6511-321-083-00	9 51		9 53		
6513-770-022-10	17 29		27 22		
6581-117-007-00	27 10	6909-110-410-00	22 6		
6581-123-011-00	27 12		22 9		
6581-129-092-00	27 15	6909-110-508-00	9 10		
6581-129-096-00	27 16		11 21		
6581-129-099-00	27 13		17 14		
6581-129-100-00	27 14		17 20		
6894-453-344-00	5 22		20 8		
6901-050-850-00	11 20	6909-111-508-00	27 20		
6901-066-645-00	15 16	6909-150-506-00	15 14		
6901-910-612-00	7 4		20 41		
	12 5	6909-150-508-00	9 11		
	20 16		9 50		
	23 7		9 54		
6901-910-614-00	5 28		17 15		
6901-910-616-00	9 38		17 21		
6901-910-625-00	16 7		20 9		
6901-910-816-00	16 11		27 21		
6901-910-830-00	17 32	6909-150-510-00	22 10		
6901-910-840-00	3 4	6909-164-508-00	11 22		
6901-910-845-00	9 13	6909-202-308-00	9 25		
	17 13	6909-572-008-00	2 5		
6901-911-020-00	8 3	6909-830-212-00	1 12		
	10 2	6909-902-299-00	5 23		
6902-050-610-00	15 13	6909-906-105-10	16 13		
6902-050-816-00	9 42	6909-920-843-00	9 21		
6904-110-818-00	5 20		9 26		
6904-110-822-00	5 21		16 14		
	9 4	6911-129-006-00	1 3		
	9 46	6911-129-083-00	5 7		
6904-110-840-00	5 19	6911-219-195-00	5 4		
	17 18				
6904-110-850-00	9 6				

NUMERICAL INDEX

1683-097-110-00

PART CODE	FIG. KEY	PART CODE	FIG. KEY	PART CODE	FIG. KEY
J061-210-012-00	5 15	V201-260-803-00	53 3	V210-360-601-60	55 12
J061-210-015-00	1 25	V201-260-806-50	5 11		55 15
J061-224-032-00	1 21	V201-260-808-00	3 13		65 25
J061-230-038-00	1 19		4 13		65 28
J061-236-044-00	1 18	V201-260-813-00	50 2	V210-360-602-00	11 34
J061-242-050-00	1 22		66 26		23 30
	3 8	V201-261-004-50	29 4	V210-560-603-00	61 8
	4 8	V201-261-202-50	21 2	V211-260-801-60	9 9
J061-247-055-00	3 10		38 5		9 13
	4 10		53 42		49 21
J062-081-087-00	5 18		58 6		52 11
J062-111-120-00	5 16	V201-261-203-50	41 7		52 31
K185-031-302-00	35 5	V201-261-205-00	29 3		63 22
K185-031-303-00	35 6	V201-360-802-50	53 9	V211-260-802-00	6 22
K211-001-000-00	49 8	V201-360-804-50	25 2		9 32
K211-001-006-20	79 2	V201-361-003-0B	42 40		28 35
K211-001-007-00	79 3	V201-361-003-00	42 39		31 15
K211-001-008-00	79 4	V201-361-007-50	12 5		39 12
K211-001-009-00	79 5	V201-361-008-50	35 20		52 7
K211-001-100-10	79 1	V201-361-009-00	22 3	V211-260-802-50	47 21
K211-008-011-00	80 5		23 3	V211-260-805-00	49 9
K233-002-003-00	80 2	V201-361-010-00	47 5	V211-261-002-00	15 16
K233-002-004-00	80 3	V201-361-014-00	12 6		59 9
K233-002-005-00	80 4	V201-361-202-50	9 4		67 7
K233-003-000-00	37 9		30 9	V211-261-003-00	11 32
K233-003-001-00	80 1		42 42	V211-360-801-60	1 13
K250-001-000-00	47 11		45 11		1 16
K250-001-009-00	47 13		46 11		6 2
K250-019-000-10	79 9	V201-361-203-00	41 13		7 10
P113-211-330-00	37 10		53 20		7 13
V111-165-003-00	67 4	V201-361-204-00	9 5		15 4
V111-166-001-20	56 24		47 16		16 7
V120-264-000-80	65 4	V201-361-206-00	47 17		20 4
V120-265-001-00	65 6	V203-261-002-00	36 5		22 25
V120-364-002-50	20 24	V203-261-202-00	20 5		23 27
V120-366-001-60	64 13		22 26		23 46
	66 25		23 25		24 15
V120-376-001-20	56 20	V203-361-002-00	6 10		25 14
V120-376-002-00	56 12		36 2		26 6
	58 21	V203-361-002-50	38 2		27 7
V200-260-501-0B	6 7	V203-361-003-00	2 3		27 13
V200-260-605-50	37 3		2 7		51 4
V201-260-801-60	47 26	V210-260-604-50	52 10		54 4
V201-260-802-50	10 3	V210-360-601-20	1 9		56 10
V201-260-803-00	26 11	V210-360-601-60	25 20		57 13

1683-097-110-00

PART CODE	FIG. KEY	PART CODE	FIG. KEY	PART CODE	FIG. KEY
V211-360-801-60	58 9 58 19 60 2 65 30	V252-341-003-50 V273-360-601-20 V290-106-001-20 V301-260-006-00	11 3 1 5 54 7 7 6	V362-260-008-00	37 15 39 15 57 14 58 10
V211-360-802-00	3 12	V304-260-008-00	10 4		63 8
	4 12 20 15 20 25 37 14 58 13		10 11 25 9 26 8 32 11 32 21	V363-260-008-00 V401-160-006-00	63 23 6 3 55 13 62 3 37 4
	58 15 59 2 59 4 60 6 61 15		32 33 32 38 52 23 53 4 61 11	V401-160-008-00	56 22 3 14 4 14 5 12 25 3
V211-360-802-50 V211-360-804-00 V211-361-002-50	32 13 42 30 1 29 22 28 61 3	V304-260-010-00	65 23 11 7 28 26 29 8 35 19		25 8 28 11 50 3 52 22 53 5
V211-560-802-00 V211-560-802-50 V211-561-001-60 V211-561-003-00	42 36 11 29 42 35 49 6 42 3	V304-260-012-00 V304-460-010-00	50 9 28 37 29 9 41 8 9 33	V401-160-010-00	66 27 2 4 2 8 6 12 9 11
V211-561-003-50 V211-660-802-00 V211-660-802-50 V211-661-003-50	9 35 35 16 11 24 57 25 11 20	V304-460-012-00 V305-260-008-00 V305-260-012-00	47 9 9 6 48 9 53 10 28 38		9 34 11 6 12 7 22 4 23 4
V211-661-004-00 V211-661-004-50 V211-661-005-00 V220-540-802-50	11 21 47 4 47 6 11 15 52 15	V327-262-110-00 V328-262-110-00 V334-460-010-00	53 14 43 5 8 6 34 3 6 11		28 25 29 6 35 17 36 3 36 6
V251-261-202-5C V251-261-203-50 V251-341-002-50 V251-341-003-5C	11 8 28 36 11 14 11 4 41 15	V335-260-012-00 V350-160-006-00	9 10 65 21 54 8 55 8 56 6	V401-160-012-00	38 3 42 41 47 8 9 8 21 3
V252-261-004-00 V252-261-005-50 V252-261-204-50 V252-341-002-00 V252-341-003-00	11 9 11 10 11 11 11 13 11 12	V360-260-006-00 V361-260-006-00 V362-260-008-00	57 6 61 10 58 22 63 17 26 12		29 5 30 10 38 6 41 14 42 43

PART CODE	FIG. KEY	PART CODE	FIG. KEY	PART CODE	FIG. KEY
V401-160-012-00	45 12	V411-260-012-00	58 8	V580-140-602-50	20 7
	46 12	V411-260-016-00	53 32		23 33
	47 18	V500-162-001-50	49 13		24 2
	53 21		49 16	V580-140-603-20	9 26
	53 43		57 11		39 6
V411-260-004-00	58 7	V500-162-002-00	10 8	V580-140-604-00	22 9
	39 10		32 7		23 10
	65 3		32 18	V580-140-802-80	32 29
	V411-260-005-00	49 17		32 35	V600-110-600-50
63 6			34 4		42 21
V411-260-006-00	65 5	V500-162-002-50	55 21	V600-110-600-60	18 3
	67 5		35 13	V600-110-600-80	42 12
	7 5		43 4	V600-110-600-90	28 12
	8 10	V500-162-501-50	8 11	V600-110-601-00	28 13
	10 7	V500-162-502-00	20 20		40 15
V411-260-008-00	49 14	V500-162-502-50	53 17	V600-110-620-40	14 14
	56 9		8 7		18 4
	56 23	V500-163-001-50	10 14		18 18
	1 31	V500-163-002-00	9 21	V600-110-620-50	18 16
	10 13		15 12		22 16
	15 11	V500-164-002-50	16 13	V600-110-620-60	23 17
	16 12		20 11		42 25
	20 10		23 37		28 17
	23 36		24 6		42 26
	24 5		53 31		30 6
	28 31	V500-164-003-00	28 32	V600-110-630-40	13 8
	32 6	V511-100-805-00	26 2		13 12
	32 17	V522-100-801-60	28 9		18 15
	32 34	V522-100-801-80	29 7		22 15
	52 21	V523-101-002-40	11 19		23 16
V411-260-010-00	55 20		22 2	V600-110-630-50	42 6
	57 10		23 5	V600-110-630-60	30 5
	66 28		35 18	V600-110-690-70	42 11
	6 13		42 4	V600-110-691-10	40 18
	8 5		42 29	V600-111-600-60	13 3
	9 36	V530-240-502-40	42 38	V607-110-620-40	13 9
	11 5		28 22	V607-110-630-40	19 5
	12 8		47 24	V654-420-262-40	14 8
	34 5		51 2	V654-425-322-40	14 2
	47 7		V580-140-502-50	40 13	
V411-260-012-00	49 7	V580-140-502-80	32 30	V654-430-382-40	18 11
	50 8	V580-140-503-20	53 26	V682-200-001-00	15 5
	9 7	V580-140-601-60	14 11		16 4
	21 4	V580-140-602-50	15 8		17 4
	53 44		16 9		17 7

1683-097-110-00

PART CODE	FIG. KEY	PART CODE	FIG. KEY	PART CODE	FIG. KEY
V682-200-001-00	22 13 23 13 52 19	V720-102-401-40	12 4 15 2 20 2	V760-150-000-00	42 37 43 3
V704-140-015-00	25 15 25 18		22 23 23 24	V761-150-000-00	9 2
				V763-150-000-00	32 3
				V780-140-000-1T	79 6
V704-140-018-00	15 19 16 18 23 41 24 10	V720-102-401-80	31 5 31 12	V781-160-000-6B	23 28 45 4
		V720-102-402-00	36 9	V881-005-001-20	45 9
		V720-102-402-10	16 2	V883-005-001-20	44 4
V704-140-020-00	13 7		52 5		44 9
		V720-103-502-80	52 6	V888-240-081-60	33 3
	14 10 19 7	V720-103-503-60	36 10		33 8
V704-140-022-00	10 2 31 7 31 14	V720-103-504-10	42 34	V888-240-081-80	33 13
		V720-103-504-40	5 7		33 18
		V720-105-705-50	49 2	V889-000-081-60	33 4
V704-140-025-00	14 5 18 19 22 14 23 15 31 16	V720-105-707-10	41 11		33 9
		V720-111-900-60	79 8	V889-000-081-80	33 14
		V720-112-401-10	37 7		33 19
		V720-112-401-20	37 11 47 12	V920-550-801-00	78 5
				V920-551-201-40	78 6
	40 5 42 27		47 14 47 20	V920-551-301-70	78 7
V704-140-030-00	18 14		79 7	V920-551-902-20	78 8
	30 7	V720-112-401-40	52 27	V936-150-015-00	78 3
V704-140-035-00	42 13		80 6	V999-200-003-00	33 5
					33 10
V705-140-020-00	48 6 39 5	V720-112-401-80	52 30 80 7		33 15 33 20
V705-140-028-00	52 18	V720-112-402-00	37 2		33 24
V705-140-047-00	42 17		52 9		33 28
V705-140-052-00	22 17		80 8		44 5
	23 18 40 7	V720-113-502-50	80 9		44 10
	40 17	V720-113-502-90	35 12		45 5
V706-140-040-00	48 5	V721-103-104-50	9 22		45 10
	9 17	V721-103-107-00	41 12		46 4
V706-140-045-00		V721-103-109-00	42 2		46 9
V706-140-055-00	40 16	V721-113-106-00	47 15	W296-134-007-00	54 11
V707-140-055-00	42 14	V742-120-320-50	39 11		57 5
V707-140-062-00	42 7	V742-135-500-60	48 2	1105-106-001-00	10 5
V707-140-080-00	30 8	V744-114-280-70	52 17	1105-217-004-00	26 3
V720-101-900-70	47 23	V744-120-350-70	9 23	1105-410-003-00	25 16
	49 20 5 3	V744-130-450-80	14 15 28 18		32 2 22 12
V720-102-401-00	28 24 49 23	V744-135-520-80	22 19 23 20	1302-225-003-00	23 14 53 34
V720-102-401-40	12 3	V744-135-550-80	19 8	1305-931-003-00	9 3
				1326-706-002-10	

PART CODE	FIG. KEY	PART CODE	FIG. KEY	PART CODE	FIG. KEY
1326-706-002-10	37 5	1424-101-203-00	1 27	1427-310-003-10	31 13
1342-402-006-00	66 10	1424-101-204-00	1 28	1427-310-220-10	31 3
	66 17	1425-621-004-00	1 32		31 10
1376-402-003-00	27 14		27 15	1427-310-230-00	31 4
	66 9		32 15	1427-310-270-00	31 11
	66 14		58 11	1427-406-018-00	43 2
	66 16		58 18	1427-431-011-00	39 3
1386-241-002-00	46 5		66 11	1427-431-220-00	39 2
	46 10	1426-406-203-00	36 8	1427-432-016-00	40 6
1401-906-005-00	78 2	1427-111-229-00	3 15	1427-433-201-00	39 4
1402-511-600-00	53 38		4 15	1427-433-241-00	35 4
1403-621-031-00	64 6	1427-201-002-50	11 2		35 10
	64 8	1427-201-007-00	11 16	1427-501-003-00	47 3
	64 10	1427-201-008-00	11 17	1427-502-003-00	48 7
	64 12	1427-201-012-00	11 25	1427-511-001-00	53 16
1404-117-008-00	8 4	1427-201-013-00	11 26	1427-511-002-00	53 15
1404-312-006-00	32 5	1427-201-014-00	11 27	1427-511-003-00	53 24
	32 19	1427-201-015-00	11 28	1427-511-004-00	53 25
1404-402-001-00	35 2	1427-201-016-00	29 11	1427-511-005-00	53 30
	35 8	1427-203-002-00	13 15	1427-511-220-00	53 13
1404-402-002-00	35 3	1427-212-002-00	19 6	1427-511-250-10	53 35
	35 9	1427-212-003-20	19 2	1427-511-270-00	53 22
1404-503-006-00	52 20		22 18	1427-511-273-00	53 23
1414-312-002-00	50 10		23 19	1427-511-280-00	53 27
	55 17	1427-251-004-00	16 5	1427-511-290-00	53 28
1415-102-007-00	5 2	1427-301-002-20	28 1	1427-511-300-00	53 29
1415-102-008-00	5 4	1427-301-004-00	28 3	1427-511-310-00	53 2
1415-102-009-00	5 5	1427-301-005-00	28 4	1427-511-320-00	53 12
1415-102-011-00	5 8	1427-301-006-00	28 5	1427-611-001-00	60 4
1415-102-013-00	5 10	1427-301-007-00	28 6	1427-621-002-10	7 2
1415-312-500-00	32 4	1427-301-009-00	28 7	1427-621-006-00	7 11
1415-505-014-00	52 29	1427-301-011-10	28 14	1427-621-012-00	61 6
1416-501-011-00	49 3	1427-301-012-10	28 15	1427-934-013-00	71 11
1416-621-037-00	6 6	1427-301-013-10	28 16	1427-941-016-00	70 11
1421-122-003-00	10 10	1427-301-014-10	28 19	1432-242-001-00	32 36
1421-433-004-00	11 23	1427-301-015-00	28 20	1434-122-007-00	10 9
1421-502-002-00	53 6	1427-301-016-00	28 21	1434-317-201-10	33 2
	53 40	1427-301-018-00	28 23		33 7
1421-507-002-10	49 1	1427-301-019-00	28 27	1434-317-230-00	33 1
1421-602-005-10	26 7	1427-301-021-00	28 30	1434-317-240-00	33 6
1421-603-004-00	32 37	1427-307-002-10	30 2	1434-317-280-01	33 21
	7 15	1427-307-003-00	30 3	1434-317-281-00	33 23
1421-906-001-00	78 1	1427-310-001-00	31 2		33 27
1423-520-001-10	53 33		31 9	1434-317-290-01	33 22
1423-621-003-00	64 14	1427-310-003-10	31 6		33 26

1683-097-110-00

PART CODE	FIG. KEY	PART CODE	FIG. KEY	PART CODE	FIG. KEY
1434-317-300-01	33 25	1480-604-204-00	57 4	1560-601-017-00	54 9
1434-441-201-10	44 3	1488-413-023-10	42 10	1560-602-001-40	54 2
	44 8	1488-621-220-10	65 2	1560-604-022-70	57 12
1434-441-231-00	46 3	1491-120-001-00	9 18	1560-630-021-50	67 3
	46 8	1491-203-006-10	13 14	1560-664-264-00	66 7
1434-501-003-00	47 19	1491-307-201-00	30 4		66 23
1434-501-004-00	47 22	1491-434-017-00	42 24	1560-664-270-00	20 22
1434-501-005-00	47 25	1491-623-222-00	23 44	1560-666-212-00	66 3
1434-501-006-00	49 10		24 13		66 13
1434-502-004-00	48 4	1491-623-223-00	23 43	1560-695-021-00	25 5
1434-503-001-00	49 12		24 12	1560-695-022-00	25 6
1434-503-002-00	49 15	1493-441-201-00	45 3	1561-121-212-40	9 31
1434-503-004-10	52 2		45 8	1564-201-003-00	42 16
1434-503-250-10	49 19	1507-216-004-10	40 3	1564-434-222-10	41 5
1434-503-260-20	49 22	1510-328-260-00	32 8	1566-525-101-00	58 17
1434-503-320-10	52 1		32 20	1568-132-200-00	32 32
1434-503-330-00	52 3	1518-306-203-00	41 3	1568-525-300-10	53 37
1434-511-200-20	53 41	1518-432-250-00	41 2	1572-102-003-00	5 9
1434-511-210-00	53 39	1518-621-320-00	15 6	1575-623-010-00	66 21
1434-621-210-20	7 1		65 20	1575-623-210-00	65 1
1435-122-002-00	9 19	1527-604-002-00	56 17	1575-623-211-00	65 11
1435-203-001-00	18 7	1544-104-205-00	3 4	1575-623-250-00	23 42
1435-317-201-10	33 12		4 4		24 11
	33 17	1544-123-005-00	10 6	1579-112-230-00	7 7
1435-317-230-01	33 11	1544-219-005-00	15 17	1579-501-002-00	47 10
1435-317-240-01	33 16	1544-304-006-10	28 10	1579-501-200-00	47 1
1435-511-250-10	53 1	1544-322-002-00	18 13	1579-502-001-00	48 3
1435-511-260-00	53 8	1544-502-003-00	48 1	1581-621-290-00	65 26
1435-511-270-00	53 11	1544-503-001-20	49 4	1593-102-004-20	1 24
1444-101-016-10	27 12	1544-503-200-20	49 5	1593-112-002-50	7 3
	37 13	1544-623-001-00	65 12	1593-203-058-20	14 3
1444-102-204-00	5 6	1544-623-232-00	65 13	1593-623-203-00	66 22
1444-314-009-10	11 33	1544-623-233-00	65 14	1593-623-503-00	66 6
	23 29	1544-623-234-00	65 15	1594-105-001-00	2 2
1444-411-006-00	28 2	1544-623-235-00	65 16		2 6
1444-601-015-00	55 7	1546-434-001-10	42 22	1594-218-001-00	13 13
1444-621-016-00	57 3	1550-514-290-00	53 36		19 3
	58 3	1560-104-010-40	1 26	1594-221-001-00	40 2
1444-621-311-00	65 7	1560-111-003-20	6 19	1594-654-261-10	63 21
1444-621-312-00	65 8	1560-132-007-30	25 7	1594-904-025-00	70 13
1444-621-313-00	65 9		32 10		71 14
1444-621-320-00	65 10	1560-208-018-40	18 12		72 14
1480-212-003-00	22 8	1560-401-004-40	56 8	1600-112-231-00	7 8
	23 9	1560-515-004-40	52 24	1600-112-232-00	7 9
1480-501-003-00	47 2	1560-601-014-30	54 10	1600-117-002-00	8 3

PART CODE	FIG. KEY	PART CODE	FIG. KEY	PART CODE	FIG. KEY
1600-120-220-00	9 29	1614-104-001-00	3 6	1620-904-012-00	74 13
1600-120-222-00	9 30		4 6	1620-904-013-00	75 13
1600-120-230-00	9 28	1614-117-001-00	8 2	1620-904-014-00	76 13
1600-310-270-00	31 1	1614-262-003-00	23 48	1620-904-015-00	77 13
	31 8		24 17	1636-437-210-00	46 2
1600-431-002-00	39 8	1614-432-002-00	40 8		46 7
1600-431-003-00	39 9	1614-432-003-00	40 9	1637-102-202-00	1 2
1600-502-003-00	48 8	1614-432-004-00	40 10	1640-902-005-00	69 13
1600-514-001-00	53 7	1614-432-005-00	40 11	1640-902-006-00	69 14
1600-514-002-00	53 18	1614-432-006-00	40 12	1640-903-005-10	71 15
1600-514-003-00	53 19	1614-433-212-00	41 10	1640-903-006-00	71 2
1600-616-006-00	6 14	1614-435-004-00	42 45	1640-903-007-00	71 3
1600-622-321-00	63 16	1614-437-211-00	44 2	1640-903-008-00	71 4
1600-623-002-00	65 24		44 7	1640-903-009-00	71 5
1600-623-200-00	65 17		45 2	1640-903-011-00	71 6
1600-623-210-00	65 18		45 7	1640-903-012-00	71 7
1600-623-220-00	65 19	1614-501-015-10	60 3	1640-903-013-00	71 8
1600-624-004-00	66 8	1614-505-002-00	50 5	1640-903-015-00	71 9
1600-624-201-00	67 1	1614-505-003-00	50 6	1640-903-016-00	71 10
1600-624-202-00	67 2	1614-505-004-00	50 7	1640-903-019-10	71 12
1600-902-023-00	72 10	1614-505-007-00	51 5	1640-903-025-10	72 15
1600-904-003-00	69 4	1614-603-008-00	56 16	1640-903-026-00	72 2
1608-207-014-00	26 9	1614-603-018-00	56 7	1640-903-027-00	72 3
1608-901-004-10	68 6	1614-603-051-00	56 1	1640-903-028-00	72 4
1612-102-005-00	1 11	1614-603-052-00	56 2	1640-903-029-00	72 5
1612-105-002-00	5 17	1614-603-201-10	56 14	1640-903-031-00	72 7
1612-111-001-00	1 10	1614-690-202-00	66 2	1640-903-032-00	72 6
	6 16	1617-102-006-00	1 30	1640-903-033-00	72 8
1612-111-002-10	6 17	1617-435-002-00	42 44	1640-903-035-00	72 9
1612-111-230-10	6 20	1620-255-208-00	15 3	1640-903-036-00	72 11
1612-117-200-20	8 1		16 6	1640-903-039-00	72 12
1612-201-002-00	11 31		20 3	1640-903-045-00	70 15
1612-433-002-00	41 6		22 24	1640-903-046-00	71 16
1612-433-200-00	41 4		23 26	1640-903-047-00	72 16
1612-434-004-20	42 15	1620-410-001-10	38 4	1640-903-048-00	73 16
1612-434-006-00	42 19	1620-437-210-00	44 1	1640-903-052-00	73 14
1612-434-007-00	42 20	1620-437-220-00	44 6	1640-903-055-10	73 15
1612-434-008-00	42 23	1620-626-600-00	58 16	1640-903-056-00	73 2
1612-434-009-00	42 28	1620-690-341-00	66 5	1640-903-057-00	73 3
1612-505-220-00	51 1	1620-903-003-00	69 11	1640-903-058-00	73 4
1612-603-002-00	56 13	1620-904-006-00	70 12	1640-903-059-00	73 5
1612-603-005-00	56 25	1620-904-007-00	71 13	1640-903-061-00	73 7
1612-690-001-00	6 15	1620-904-008-00	72 13	1640-903-062-00	73 6
1614-102-213-00	1 3	1620-904-009-00	73 13	1640-903-063-00	73 8
1614-102-214-00	1 4	1620-904-011-00	69 10	1640-903-065-00	73 9

1683-097-110-00

PART CODE	FIG. KEY	PART CODE	FIG. KEY	PART CODE	FIG. KEY
1640-903-066-00	73 11	1640-905-012-00	75 7	1672-105-001-10	5 13
1640-903-067-00	73 10	1640-905-013-00	75 8	1672-105-210-00	5 1
1640-903-069-00	73 12	1640-905-015-00	75 9	1672-111-001-00	6 18
1640-903-072-00	74 14	1640-905-016-00	75 10	1672-111-002-00	6 4
1640-903-075-10	74 15	1640-905-017-00	75 11	1672-111-200-00	6 1
1640-903-076-00	74 2	1640-905-019-00	75 12	1672-111-210-10	6 5
1640-903-077-00	74 3	1640-905-022-00	76 14	1672-111-230-00	6 21
1640-903-078-00	74 4	1640-905-025-10	76 15	1672-120-002-10	9 14
1640-903-079-00	74 5	1640-905-026-00	76 2	1672-120-003-00	9 15
1640-903-081-00	74 6	1640-905-027-00	76 3	1672-120-004-00	9 16
1640-903-082-00	74 7	1640-905-028-00	76 4	1672-120-006-00	9 20
1640-903-083-00	74 8	1640-905-029-00	76 5	1672-120-220-00	9 12
1640-903-085-00	74 9	1640-905-031-00	76 6	1672-201-003-00	11 30
1640-903-086-00	74 10	1640-905-032-00	76 7	1672-208-001-00	23 47
1640-903-087-00	74 11	1640-905-033-00	76 8		24 16
1640-903-089-00	74 12	1640-905-035-00	76 9		51 6
1640-903-091-00	74 16	1640-905-036-00	76 10	1672-208-220-00	23 45
1640-903-092-00	75 16	1640-905-037-00	76 11		24 14
1640-903-093-00	76 16	1640-905-039-00	76 12	1672-211-009-10	18 17
1640-903-094-00	77 16	1640-905-042-00	77 14	1672-212-001-00	19 1
1640-904-005-10	70 14	1640-905-045-10	77 15	1672-212-002-10	19 4
1640-904-006-00	70 2	1640-905-046-00	77 2	1672-301-001-00	28 29
1640-904-007-00	70 3	1640-905-047-00	77 3	1672-301-002-00	28 8
1640-904-008-00	70 4	1640-905-048-00	77 4	1672-403-003-00	35 11
1640-904-009-10	70 5	1640-905-049-00	77 5	1672-407-220-00	36 4
1640-904-011-00	70 6	1640-905-051-00	77 6	1672-408-001-30	37 1
1640-904-012-00	70 8	1640-905-052-00	77 7	1672-408-200-00	37 8
1640-904-013-00	70 7	1640-905-053-00	77 8	1672-408-210-00	37 6
1640-904-016-00	70 10	1640-905-055-00	77 9	1672-433-200-00	41 9
1640-904-019-00	70 9	1640-905-056-00	77 10	1672-434-002-00	42 5
1640-904-022-00	70 1	1640-905-057-00	77 11	1672-434-003-00	42 8
1640-904-023-10	71 1	1640-905-059-00	77 12	1672-502-002-00	48 10
1640-904-024-00	72 1	1650-104-201-00	3 5	1672-503-200-00	49 11
1640-904-025-00	73 1		4 5	1672-503-210-00	49 18
1640-904-026-00	74 1	1650-203-011-10	14 4	1672-505-002-00	51 3
1640-904-027-00	75 1	1650-253-003-00	16 3	1672-505-200-00	50 1
1640-904-028-00	76 1		17 3	1672-505-210-10	50 4
1640-904-029-00	77 1		17 6	1672-508-250-00	52 26
1640-905-002-00	75 14	1650-432-001-00	40 4	1672-508-262-00	52 13
1640-905-005-10	75 15	1650-508-002-00	80 10	1672-508-263-00	52 14
1640-905-006-00	75 2	1650-650-246-00	66 19	1672-508-264-00	52 16
1640-905-007-00	75 3	1650-652-253-20	66 20	1672-508-270-10	52 12
1640-905-008-00	75 4	1656-401-220-00	34 1	1672-601-001-00	57 17
1640-905-009-00	75 5	1656-401-222-00	34 2	1672-601-002-00	57 18
1640-905-011-00	75 6	1672-102-004-00	1 12	1672-602-002-00	55 18

PART CODE	FIG. KEY	PART CODE	FIG. KEY	PART CODE	FIG. KEY
1672-602-003-10	55 1	1675-102-200-00	1 1	1682-306-002-00	29 2
1672-602-210-00	55 10	1675-104-001-00	3 7	1682-307-001-00	30 1
1672-602-230-00	55 16	1675-104-002-00	3 9	1682-312-004-10	32 26
1672-602-240-00	55 11		4 9	1682-312-260-00	32 12
1672-602-250-10	55 19	1675-104-200-10	3 11	1682-312-300-00	32 22
1672-603-005-00	56 19	1675-104-210-00	3 1	1682-312-310-00	32 24
1672-603-006-00	56 15		4 1	1682-403-001-30	35 15
1672-603-007-00	56 21	1675-104-211-00	3 2	1682-403-200-30	35 1
1672-603-200-00	56 18		4 2	1682-403-250-20	35 7
1672-604-003-00	57 9	1675-104-213-00	3 3	1682-407-200-10	36 1
1672-604-005-00	57 16		4 3	1682-407-210-10	36 7
1672-604-006-00	57 21	1675-117-210-10	8 9	1682-408-220-00	27 9
1672-604-007-00	57 20	1675-601-003-00	54 5		37 12
1672-604-008-00	57 19	1675-602-001-00	55 6	1682-410-200-10	38 1
1672-604-220-00	57 23	1675-602-004-00	55 4	1682-432-200-00	40 1
1672-606-001-00	58 4	1675-602-005-00	55 5	1682-433-001-20	41 1
1672-606-002-00	58 5	1675-602-007-00	55 9	1682-434-001-20	42 1
1672-608-003-00	59 7	1678-901-004-00	68 5	1682-434-004-20	42 32
1672-608-200-00	59 5	1682-102-003-00	1 6	1682-434-005-30	42 33
1672-608-210-00	59 1	1682-102-004-00	1 23	1682-434-006-30	42 31
1672-608-220-00	59 3	1682-103-200-00	2 1	1682-436-210-00	43 1
1672-611-200-10	60 1	1682-103-300-00	2 5	1682-437-210-00	45 1
1672-611-210-10	60 5	1682-104-001-00	4 7	1682-437-220-00	45 6
1672-616-002-00	61 5	1682-104-200-00	4 11	1682-441-210-00	46 1
1672-616-003-00	61 7	1682-111-210-00	6 9	1682-441-220-00	46 6
1672-670-200-00	64 3	1682-111-300-00	6 8	1682-508-002-00	52 4
1674-619-300-00	62 1	1682-112-001-00	7 14	1682-508-240-00	52 25
1674-652-200-00	63 1	1682-112-006-00	7 4	1682-603-006-00	56 5
1674-652-202-00	63 2	1682-218-200-10	21 1	1682-604-007-10	57 22
1674-654-200-00	63 3	1682-255-001-00	22 27	1682-606-230-10	58 14
1674-654-211-00	63 4	1682-255-002-00	22 7	1682-606-250-20	58 1
	63 10		23 8	1682-606-260-20	58 2
	63 13	1682-255-201-00	22 1	1682-606-270-10	58 12
1674-654-212-00	63 5		23 2	1682-616-320-50	61 12
	63 11	1682-255-202-00	22 6	1682-616-330-30	61 13
	63 14		23 7	1682-640-210-10	62 2
1674-654-240-00	63 9	1682-255-203-00	22 5	1682-660-003-00	63 15
1674-654-260-00	63 12		23 6	1682-660-220-00	63 7
1674-654-270-00	63 18	1682-255-204-00	22 10	1682-670-001-00	64 1
1674-654-271-00	63 19		23 11	1682-670-210-00	64 7
1674-654-272-00	63 20	1682-255-205-10	22 11	1682-670-220-00	64 9
1674-664-200-00	65 29		23 12	1682-670-230-00	64 11
1675-102-002-00	1 8	1682-255-210-30	22 21	1682-670-250-10	64 2
1675-102-004-00	1 17		23 22	1682-690-240-10	66 29
1675-102-006-00	1 20	1682-306-001-00	29 1	1682-690-300-30	66 1

1683-097-110-00

PART CODE	FIG. KEY	PART CODE	FIG. KEY	PART CODE	FIG. KEY
1682-690-310-30	66 12	1683-209-500-10	16 1	1683-273-590-00	27 2
1682-690-340-00	66 18	1683-209-510-00	16 14	1683-273-610-10	27 4
1682-690-350-00	65 27	1683-209-520-00	16 8	1683-273-630-10	27 11
1682-690-360-10	66 24		20 6	1683-273-640-00	12 2
1682-690-370-00	67 6	1683-210-051-00	17 1	1683-301-500-00	28 28
1682-902-001-00	69 7	1683-210-052-00	17 2	1683-301-510-00	28 33
1682-902-004-00	69 12	1683-210-053-00	17 5	1683-312-002-00	32 14
1682-902-006-00	69 9	1683-211-051-00	18 5	1683-312-003-00	32 16
1682-902-007-10	69 15	1683-211-052-20	18 8	1683-312-510-40	32 1
1682-902-013-00	69 16	1683-211-053-10	18 9	1683-312-530-30	32 27
1682-902-014-00	69 5	1683-211-054-00	18 10	1683-312-560-00	32 28
1683-102-002-00	1 7	1683-211-057-00	18 1	1683-312-570-00	32 9
1683-102-200-20	1 14	1683-211-058-00	18 2	1683-431-051-00	39 1
1683-102-210-20	1 15	1683-216-051-10	20 14	1683-431-510-00	39 7
1683-112-200-20	7 12	1683-216-052-00	20 9	1683-508-200-00	52 8
1683-120-051-00	9 24	1683-216-053-00	20 21	1683-508-210-10	52 28
1683-120-052-00	39 13	1683-216-500-00	20 16	1683-601-001-00	54 6
1683-120-500-10	9 1	1683-216-520-00	20 12	1683-601-002-00	54 3
1683-120-530-10	9 25	1683-255-510-00	23 1	1683-601-200-10	54 1
1683-120-610-00	39 14	1683-255-600-00	23 31	1683-602-001-00	55 3
1683-122-051-20	10 12	1683-265-051-00	23 35	1683-602-002-00	55 2
1683-122-500-20	10 1		24 4	1683-602-220-00	55 14
1683-201-051-00	11 1	1683-265-500-10	23 38	1683-603-052-00	56 4
1683-201-052-10	11 18	1683-265-510-00	23 32	1683-603-510-00	56 3
1683-201-053-10	11 22		24 1	1683-604-004-00	57 15
1683-202-051-00	13 1	1683-265-520-00	24 7	1683-604-200-20	57 7
1683-202-500-00	12 1	1683-271-001-30	25 19	1683-604-210-20	57 8
1683-203-051-00	13 2	1683-271-052-10	25 11	1683-604-230-00	57 24
1683-203-052-00	13 4	1683-271-500-20	25 10	1683-604-240-10	57 1
1683-203-053-00	13 5	1683-271-510-30	25 1	1683-604-250-10	57 2
1683-203-054-00	13 6	1683-271-560-00	25 4	1683-611-500-30	59 8
1683-203-055-00	13 11	1683-271-580-00	25 17	1683-616-500-20	61 1
1683-203-500-00	13 10	1683-272-052-00	26 5	1683-616-510-30	61 2
1683-205-051-00	14 1	1683-272-053-00	26 15	1683-616-520-10	61 14
1683-205-052-00	14 6	1683-272-054-00	26 14	1683-690-620-00	66 15
1683-205-053-00	14 7	1683-272-510-30	26 4	1683-901-005-00	68 1
1683-205-054-10	14 12	1683-272-530-20	26 1	1683-901-006-00	68 2
1683-205-055-10	14 13	1683-272-550-00	26 13	1683-901-007-00	68 3
1683-208-051-10	15 10	1683-272-560-00	26 10	1683-901-008-00	68 4
1683-208-053-00	15 15	1683-273-055-00	27 3	1683-902-001-00	69 1
1683-208-500-00	15 1	1683-273-057-20	27 17	1683-902-002-00	69 2
	20 1	1683-273-058-00	27 10	1683-902-003-00	69 6
1683-208-510-00	15 7	1683-273-520-30	27 16	1683-902-004-00	69 3
1683-208-520-20	15 13	1683-273-570-10	27 8	1683-902-005-00	69 8
1683-209-051-00	16 11	1683-273-580-10	27 1	2101-230-001-00	16 16

PART CODE	FIG. KEY	PART CODE	FIG. KEY	PART CODE	FIG. KEY
2101-230-001-00	20 17 28 34				
2130-208-004-00	15 20				
2130-931-200-00	78 9				
2130-931-210-00	78 4				
2139-505-002-00	61 4				
2144-419-022-00	15 18 16 17 23 40 24 9				
2144-519-007-00	20 19				
2149-601-031-00	20 18				
2500-901-027-00	68 7				
2502-105-002-00	5 14				
2703-101-020-00	22 22				
3505-605-007-00	23 23 59 6				
3560-503-302-00	61 9				
3610-440-018-00	8 8				
3625-701-003-00	22 20				
3643-420-004-00	23 21 25 12				
3650-261-261-00	66 4				
3650-270-214-00	64 4				
3652-271-220-00	64 5				
3652-283-006-00	65 22				
3656-107-004-00	14 9				
3656-271-001-00	20 23				
3667-354-220-10	27 5				
3667-354-240-00	27 6				
3668-612-001-00	15 14 16 15 20 13 23 39 24 8				
3670-236-003-00	32 23 32 25 58 20				
3747-342-002-00	25 13				
3768-185-022-10	35 14				
4101-102-038-00	56 11				
7955-201-026-00	29 10 42 18				

DESCRIPTION	REF. NO	DESCRIPTION	REF. NO	DESCRIPTION	REF. NO	DESCRIPTION	REF. NO	DESCRIPTION	REF. NO
ADAPTER(90°/PUMP)	35	BEARING	14	BOLT(S) M10X30	13	BOLT/M12X25	21		2
ADAPTER/HOSE/L/12	27		10	BOLT(S) M10X30	40		30		9
ADAPTER/HOSE/PF1/4	27		2	BOLT(S) M10X30	42		38		5
ADAPTER/L/PF1/4 ASSY	37	BEARING KT253224	6	BOLT(S) M10X30	14		42		42
ADAPTER/L/PF3/8 ASSY	12		2	BOLT(S) M10X30	18		45		11
ADAPTER/L/PT3/8	27	BEARING/BALL 6205SH2	3	BOLT(S) M10X30	40		46		11
ADAPTER/PF3/8 ASSY	52	BEARING/BALL 6305SH2	26	BOLT(S) M10X30	13		53		42
ADAPTER/PT3/8	27	BEARING/NEEDLE	17	BOLT(S) M10X30	19		58		6
ARM	25		17	BOLT(S) M10X30	22	BOLT/M12X30	41		13
ARM/DANPER	26		13	BOLT(S) M10X30	23		53		20
ARM/DIFFLOCK	28	BEARING,CLUTCH RS	27	BOLT(S) M10X30	9	BOLT/M12X35	41		7
ARM/DIFFROCK	28	BEARING, NR/KT20264	28	BOLT(S) M10X30	14	BOLT/M12X40	9		5
ARM/KNUCKLE/LH	42	BEARING, NR/KT303824	32	BOLT(S) M10X30	18		47		16
ARM/KNUCKLE/RH	42	BEARING, RB	33	BOLT(S) M10X30	13	BOLT (SP)/M6X16	11		11
ARM/MID	24	BEARING, RB 6006	7	BOLT(S) M10X30	18	BOLT/M12X45	25		2
ARM/MID	23	BEARING, RB 6005	38	BOLT(S) M10X30	42	BOLT/M12X50	29		3
ARM/NEUTRAL	25		10	BOLT(S) M10X30	42	BOLT/M5X16	56		8
ARM/PARKING/RH	32	BEARING, RB/6008	28	BOLT(S) M10X30	42	BOLT/M8X20	42		36
ARM/PARKING/LH	32	BEARING, RB/6009	27	BOLT(S) M10X30	42	BOLT/M8X25	28		10
ARM/POSITION	50	BEARING, RB/6010	4	BOLT(S) M10X30	28		57		25
ARM/PTO	20	BEARING, RB/6204	12	BOLT(S) M10X30	14	BOLT/M8X45/7T	25		2
ARM/SHIFT	16		8	BOLT(S) M10X30	18	BOLT/M8X50	49		9
	20		6	BOLT(S) M10X30	18	BOLT/S	9		35
ARM/SHIFT/MID	22	BEARING, RB/6204NR	21	BOLT(S) M10X30	13		35		16
	23	BEARING, RB/6205	22	BOLT(S) M10X30	16		47		21
	23		32	BOLT(S) M10X30	22	BOLT/SEAL	6		7
	24		1	BOLT(S) M10X30	23		42		40
ARM/SHIFT/SUB	15		7	BOLT(S) M10X30	23	BOLT/SP	11		15
ARM, LIFT	48	BEARING, RB/6206	4	BOLT(S) M10X30	42		11		20
BALL	15		5	BOLT(S) M10X30	28		11		21
	16	BEARING, RB/6208	4	BOLT(S) M10X30	42		11		34
	17	BEARING, RB/6304	4	BOLT(S) M10X30	30	BOLT/M06X08/APSET	22		28
	17		7	BOLT(S) M10X30	13	BOLT/M06X32	23		30
	22		13	BOLT(S) M10X30	13	BOLT/M10X1.25X20	47		4
	23		13	BOLT(S) M10X30	18		47		6
	23		13	BOLT(S) M10X30	22	BOLT/M10X100	47		3
BAND/CLEANER	3	BEARING, RB/6304NR	6	BOLT(S) M10X30	23	BOLT/M10X20	36	BOLT/STUD	9
	4	BEARING, RB/6305	6	BOLT(S) M10X30	19	BOLT/M10X20	42		11
BAND, WIRE/140	27	BEARING, RB/6306	14	BOLT(S) M10X30	42	BOLT/M10X30	42		12
	66	BOLT	9	BOLT(S) M10X30	30	BOLT/M10X35	11		13
	66		14	BOLT(S) M10X30	1	BOLT/M10X45	11	BOLT/STUD/SEAL	14
	66		16	BOLT(S) M10X30	2	BOLT/M10X55	29		4
BAND, WIRE/250	66		10	BOLT(S) M10X30	7	BOLT/M10X90	11		8
BASE/BATTERY	7		12	BOLT(S) M10X30	2		22		15
BASE/STERRING	36		1	BOLT(S) M10X30	12	BOLT/M12X20	23	BOLT/WING/SP	1
BATTERY	7		1	BOLT(S) M10X30	12	BOLT/M12X20	20	BOLT/8X20	5
				BOLT(S) M10X30	35	BOLT, ADJUST	22	BOLT, BATTERY	22
				BOLT(S) M10X30	38	BOLT, CONNECTOR	23		7
				BOLT(S) M10X30	47		9		3
				BOLT(S) M10X30	47		9		29

DESCRIPTION	REF . NO	DESCRIPTION	REF . NO	DESCRIPTION	REF . NO	DESCRIPTION	REF . NO	DESCRIPTION	REF . NO
BOLT, SEMS	1	BOOT	24	BUSH/62X67X30	41	CASE, OIL FILTER	52	CASE, SYLINDER	47
	15	BOOT/HORN	65	BUSH, COLUMN	36	CHAIN/CHECK/148 COMP	53	CHAIN, CHECK RH	53
	32	BOOT/STEERING	56	BUSH, LEVER	7	CHAIN, LW LINK	53	CLAMP/WIRE/10-12	5
	42	BRACKET/AXLE COMP	38	CABLE/ACCELERATOR	8	CLAMP/WIRE/10-15	1	CLAMP/WIRE/24-32	1
	59	BRACKET/CLEANER COMP	3	CABLE, BATTERY	7	CLAMP/WIRE/30-38	1	CLAMP/WIRE/36-44	1
	67	BRACKET/COUPLER/7P	4	CABLE, EARTH	7	CLAMP/WIRE/42-50	3	CLAMP/WIRE/47-55	3
BOLT, SEMS (SP)	1	BRACKET/LEVER COMP	6	CABLE, METER	64	CLAMP/WIRE/11.1-12	5	CLEANER/AIR ASSY	3
	1	BRACKET/FUSE COMP	56	CAM, DIFF-LOCK	28	CLUTCH	9	CLUTCH, DIFF-LOCK	28
	6	BRACKET/LAMP COMP	66	CAP	1	CLUTCH, DIFF-LOCK	28	COLLAR/07X11X11	61
	7	BRACKET/LAMP/NUMBER	55	CAP, PTO SHAFT	34	COLLAR/10X14X09	61	COLLAR/21X36X1	22
	13	BRACKET/LAMP/NUMBER	63	CAP, RUBBER (9)	65	COLLAR/25X32X3	40	COLLAR/25X35X02	14
	15	BRACKET/LEVER COMP	6	CAP, TIRE VALVE	45	COLLAR/25X46X3	18	COLLAR/41X55X10	13
	16	BRACKET/REFLECTOR	50	CAP, FUSE BOX	46	COLLAR/48X52X17	40	COLLAR, PINION THRUST	28
	20	BRACKET/SEAT COMP	63	CAP, OIL ASSY	23	COLLAR, PINION THRUST	28	COLLAR, SHIFTER	22
	22	BRACKET/SEAT COMP	59	CAP, PTO SHAFT	41	COLLAR, THRUST	28	COLLAR, THRUST	25
	23	BRACKET/SEAT/F COMP	60	CAP, BLANK/M10	11	COLLOR/17X21X11	25	CONNECTOR	1
	23	BRACKET/TANK COMP	60	CAP, BLANK/M12	16	CONNECTOR	1	CONNECTOR/CHECK/2.5	27
	24	BRACKET/TANK COMP	6	CAP, BLANK/52	29	CONNECTION/RE	1		
	25	BRAKE, SHOE ASSY	6	CAP, BLANK/52	22	CASE, DIFF	2		
	26	BULB	31	CAP, FUSE BOX	23				
	27	BULB	31	CAP, OIL ASSY	66				
	27	BULB	46	CAP, PTO SHAFT	41				
	51	BULB/12V/45/40W	46	CAP, RUBBER (9)	23				
	54	BULB/12V/5W	64	CAP, TIRE VALVE	45				
	56	BULB/12V/21W	64	CARTRIDGE/80 ASSY	46				
	57	BULB/12V/21W	64	CASE/DIFF	27				
	58	BULB/12V/5W	64	CASE/FINAL	40				
	58	BULB/12V/45/40W	63	CASE/JOINT ASSY	42				
	58	BULB/12V/5W	63	CASE/PTO/MID	42				
	58	BULB/12V/21W	63	CASE/TRANSMISSION/HS	11				
	60	BUSH	63	CASE/TRANSMISSION/RE	11				
	60	BUSH	63	CASE, DIFF	11				
	65	BUSH	63		28				
BOLT, SEMS (S)	6	BUSH	15		28				
	9	BUSH	16		28				
	9	BUSH	16		28				
	28	BUSH	63		44				
	31	BUSH	63		44				
	31	BUSH	63		44				
	39	BUSH	63		45				
	52	BUSH	63		45				
BOLT, SEMS (S) M8X16	9	BUSH	15		46				
	9	BUSH	16		46				
	49	BUSH	20		46				
	52	BUSH	23		46				
	52	BUSH	24		46				
	63	BUSH	32		46				
BOLT, SEMS/M64X45	52	BUSH	32		39				
BOLT, SEMS/M8X25 7T	11	BUSH/15X17X10	25		22				
	42	BUSH/20X38X26	39		23				
BOLT, SET COMP	52	BUSH/35X39X26	41		11				
BOLT, SM/M08X25	48	BUSH/35X39X30	47		11				
BOOT	23	BUSH/40X43X30	47		28				

DESCRIPTION	REF . NO	DESCRIPTION	REF . NO	DESCRIPTION	REF . NO	DESCRIPTION	REF . NO	DESCRIPTION	REF . NO
LABEL/C/BATTERY/A	74	LABEL/FUEL/V	77	LABEL/W/MUFFLER	73	LEVEL GAUGE	15		20
LABEL/C/BATTERY/H	76	LABEL/FUSE	69	LABEL/W/MUFFLER/A	74	LEVER	65		14
LABEL/C/BATTERY/T	75	LABEL/FUSE/MAIN	66	LABEL/W/MUFFLER/H	76	LEVER COMP	8		1
LABEL/C/BATTERY/V	77	LABEL/FUSE/11	70	LABEL/W/MUFFLER/T	75	LEVER	55		19
LABEL/C/DRIVE/A	74	LABEL/FUSE/11/V	71	LABEL/W/MUFFLER/V	77	LEVER/DIFFLOCK	28		33
LABEL/C/DRIVE/D	72	LABEL/FUSE/4	72	LABEL/W/RADIATOR	70	LEVER/MID/HST SET	23		31
LABEL/C/DRIVE/F	71	LABEL/FUSE/4/A	73		71	LEVER/PARKING	32		12
LABEL/C/DRIVE/G	70	LABEL/FUSE/11/A	74		72	LEVER/POSITION	51		3
LABEL/C/DRIVE/H	76	LABEL/FUSE/11/H	76		73	LEVER/PTO	20		16
LABEL/C/DRIVE/P	73	LABEL/FUSE/11/T	75	LABEL/W/RADIATOR/A	74	LEVER/SUB	15		15
LABEL/C/DRIVE/T	75	LABEL/FUSE/11/V	77	LABEL/W/RADIATOR/H	76	LEVER/SUB	15		13
LABEL/C/DRIVE/V	77	LABEL/FUSE/4	73	LABEL/W/RADIATOR/T	75	LEVER/SUB	23		45
LABEL/C/SHIFT	71	LABEL/FUSE/4/A	74	LABEL/W/RADIATOR/V	77		24		14
	72	LABEL/FUSE/4/H	76	LABEL/W/ROPS/A	74	LEVER/4WD	16		14
	73	LABEL/FUSE/4/T	75	LABEL/W/ROPS/E20	72	LINING/11X30X02	50		6
LABEL/C/SHIFT/A	74	LABEL/FUSE/4/V	77	LABEL/W/ROPS/E30	70	LINING/11X40X03	8		3
LABEL/C/SHIFT/H	76	LABEL/FUSE/4/V	69	LABEL/W/ROPS/E40P	73	LINK BRACKET	53		41
LABEL/C/SHIFT/T	75	LABEL/KNOB/OPEN	69	LABEL/W/ROPS/E50	71	LINK SHIFT ARM	49		22
LABEL/C/SHIFT/V	77	LABEL/PTO/MID	69	LABEL/W/ROPS/H	76	LINK/LOWER	53		1
LABEL/CE	68	LABEL/SPEED/HST	69	LABEL/W/ROPS/T	75	LINK/SPPOOL	49		11
LABEL/COLUMN/LH	69	LABEL/START/A	74	LABEL/W/ROPS/V	77	LINK/SUPPORT	49		18
LABEL/COLUMN/RH	69	LABEL/START/D	72	LABEL/W/SHIELD	70	LINK/TOP/RH	53		37
LABEL/CONTROL/ADJUST	69	LABEL/START/F	71		71	LINK, CRANK	49		12
LABEL/CONTROL/PARKIN	69	LABEL/START/H	76		72	LINK, FUSIBLE	66		4
LABEL/CONTROL/POSITI	69	LABEL/START/P	73		73	LINK, TOP LH COMP	53		35
LABEL/CONTROL/PTO	69	LABEL/START/T	75	LABEL/W/SHIELD/A	74	MARK, FUEL	70		11
LABEL/CONTROL/SUB	69	LABEL/START/U	70	LABEL/W/SHIELD/H	76	MARK, FUEL/FR	71		11
LABEL/D/BATTERY	71	LABEL/START/V	77	LABEL/W/SHIELD/PTO	70	MARK, FUSE/4	70		13
	72	LABEL/W/ETHER	69		71		71		14
	73		70		72		72		14
LABEL/D/BATTERY/A	74	LABEL/W/ETHER/V	71		73	METAL/HST	11		18
LABEL/D/BATTERY/H	76	LABEL/W/FAN	70	LABEL/W/SHIELD/PTO/A	74	METAL/PIVOT/FRONT	41		4
LABEL/D/BATTERY/T	75		73	LABEL/W/SHIELD/PTO/H	76	METAL/PIVOT/REA ASSY	41		9
LABEL/D/BATTERY/V	77	LABEL/W/ETHER/A	76	LABEL/W/SHIELD/PTO/T	75	METAL/PTO	11		30
LABEL/D/STARTER	70	LABEL/W/ETHER/H	75	LABEL/W/SHIELD/PTO/V	77	METAL/U	37		1
	71	LABEL/W/ETHER/T	77	LABEL/W/SHIELD/T	75	METAL,DIFF-CASE LH	11		25
	72	LABEL/W/FAN	70	LABEL/W/SHIELD/V	77	METAL,DIFF-CASE RH	11		26
	73		71	LABEL, FUEL/D	72	METER/HOUR	64		2
LABEL/D/STARTER/A	74		71	LABEL, 4WD	69	MIRROR	62		1
LABEL/D/STARTER/H	76		72	LAMP/COMBI/REAR/LH	63	MOLDING/GRILLE/LH	55		4
LABEL/D/STARTER/T	75	LABEL/W/FAN/A	74	LAMP/COMBI/REAR/RH	63	MOLDING/GRILLE/RH	55		5
LABEL/D/STARTER/V	77	LABEL/W/FAN/V	74	LAMP/FRONT SET	63	MOLDING/METER	69		9
LABEL/DIFF	69	LABEL/W/FAN/H	76	LAMP/HAZARD ASSY	64	MONITOR	64		3
LABEL/FUEL/A	74	LABEL/W/FAN/T	75	LAMP/HEAD ASSY	63	MUFFLER	2		1
LABEL/FUEL/H	76	LABEL/W/FAN/V	77	LAMP/LIGHT ASSY	64		2		5
LABEL/FUEL/P	73	LABEL/W/MUFFLER	70	LAMP/NUMBERPLAT SET	63	NEEDLE	79		5
	75		71	LAMP/TRAILER ASSY	64	NET/GRILLE	55		6
			72	LAMP, WINKER ASSY	64	NET/WIRE	1		2

DESCRIPTION	REF. NO	DESCRIPTION	REF. NO	DESCRIPTION	REF. NO	DESCRIPTION	REF. NO	DESCRIPTION	REF. NO
NIPPLE/GREASE	9	NUT/M8	25	0-RING/P18	7	PIN SPLIT W 6.0X16	14		11
NIPPLE, GREASE	42		32		10	PIN/BRAKE CAM/L COMP	31		4
NIPPLE, GREASE/PT1/4	43		52		24	PIN/BRAKE CAM/R COMP	31		11
	35	NUT/SPRING	61		11	PIN/SHIFT	15		1
	35	NUT/WASHER	56		7		20		1
NIPPLE, GREASE/PT1/8	32		26		12	PIN/SHIFT/FRONT COMP	16		1
NUT	8		37		15	PIN/SLITTED	28		22
	11		39		15	PIN/SUPPORT	49		19
	28		57		14	PIN/06X31	20		19
	29		58		10	PIN/10X32	53		16
	34		63		8	PIN/12X75	9		20
	35		63		23		40		12
	50	NUT, LOCK/M8	6		3	PIN/16X44	53		30
	58		55		13	PIN/16X63	53		33
	63		62		3	PIN/20X51	22		5
	65	NUT, LOCK/16	53	ORNAMENT/HYDRO	6		23		6
NUT/M 6	7	NUT, RING	5	ORNAMENT/STEERING	6		23		6
NUT/M 8	10	NUT, RING/M28X1.0	65	ORNAMENT/215/LH	1	PIN/22X384	53		7
	10	NUT, SLOTTED	35	ORNAMENT/215/RH	8	PIN/47X19	42		31
	25		35	ORNAMENT/217/LH	3	PIN/5X17	49		15
	26	NUT, SPEED/P6	35	ORNAMENT/217/RH	9	PIN, ADJ	47		22
	32		54	PACKING	8	PIN, HAIR	53		34
	32		55		8	PIN, KNOCK	11		23
	32		56		6	PIN, LIFT ARM	48		7
	32	NUT, TOP LINK LOCK	53		38	PIN, LINK	53		6
	32	0-RING G60	47	PACKING/PISTON	15		53		40
	48	0-RING /P41	42	PACKING/RUBBER	34	PIN, ROD COMP	49		5
	52	0-RING P6 HS90	79		8	PIN, SPLIT/2 X15	49		13
	53	0-RING/G45	9	PACKING, OIL PUMP	22		49		16
	53	0-RING/G70	41	PAD (HST)	12		57		11
	65	0-RING/G90	42	PAD/120	2	PIN, SPLIT/2 X20	10		8
NUT/M06	7	0-RING/P 7	47	PANEL/METER	23		32		7
NUT/M10	9		49	PEDAL/BRAKE COMP	20		32		18
	47	0-RING/P10A	5	PEDAL/CLUTCH COMP	3		32		35
NUT/M10 7T P=1.25	6		28	PEDAL/HST/F SET	24		34		4
NUT/M10X1.25	9	0-RING/P12	49	PEDAL/HST/REAR COMP	23		55		21
NUT/M12	43		47	PIN	12		35		13
	9		47		14		43		4
	28		47		20	PIN, SPLIT/2.5X15	8		11
	28	0-RING/P14	79		7	PIN, SPLIT/2.5X20	20		20
	29		12		3		53		17
	41		12		4	PIN, SPLIT/2.5X25	8		7
	53		15		2	PIN, SPLIT/3 X15	10		14
NUT/M20	23		20		2	PIN, SPLIT/3 X20	9		21
	24		22		23		15		12
NUT/M22	65		23		24		16		13
NUT/M6	57		52		27		20		11
NUT/M6X15	61	0-RING/P18	80		6		23		37
	56		31	COMP	5		24		6

DESCRIPTION	REF. NO	DESCRIPTION	REF. NO	DESCRIPTION	REF. NO	DESCRIPTION	REF. NO	DESCRIPTION	REF. NO
PIN, SPLIT/4 X25	53	PLATE/I/30X50	22	RING, SNAP/15 C	24	SCREW	18		64
PIN, SPLIT/4 X30	28	PLATE/I/32X63	23	RING, SNAP/18 C	26		15		66
PIN, SPRING 3X32	47	PLATE/I, 13X40	26		15	SCREW/M5X30	18		67
PIN, SPRING/5 X20 W	51	PLATE/L/50X117	20	COMP	23	SCREW/M6X12	41		56
PIN, SPRING/5 X25 W	40	PLATE/LH	63	COMP	7	SCREW/SOCKET	24		52
PIN, SPRING/5 X28 W	32	PLATE/LOCK	1	COMP	14	SCREW/SP	5		20
PIN, SPRING/5 X32 W	53	PLATE/RH	55	COMP	16		7		56
PIN, SPRING/6 X25 W	15	PLATE/STOPPER	1	COMP	15		10		56
	16	PLATE/Z/19X248	59		7		19		58
	20	PLATE/Z/19X326	16		11	SCREW, PLUS/M4X8	2		65
	23		23		35	SCREW, PLUS/M5X0.8X8	7		65
	24		24		4	SCREW, TAPPING	14		39
PIN, SPRING/6 X32 W	9	PLATE/Z/53X134	20		21	SCREWDRIVER ASSY	15		78
	39	PLATE/4WD	39		14	SEAL/DUST	5		35
PIN, SPRING/6 X40 W	22	PLATE, L/38X116/LH	53		18	SEAL/OIL	19		41
	23	PLATE, L/38X116/RH	53		19	SEAL/QLNV35571116	14		42
PIN, SPRING/8 X28 W	32	PLIERS/G150	78		3	SEAL/RING	15		11
PIN, TAPER/8X50	26	PLUG	1		27	SEAL/ROD	16		35
PIN, TOP LINK	53		79		4	SEAL, OIL	5		42
PIN, YOKE A	32	PLUG/SCREW/SEAL	80		5		27		52
	32		23		28	SEAL, OIL/QLF488011.5	18		30
PINION/BEVEL	13	PLUG/7P	67		1	SEAL, OIL/TC20357	14		9
	40	PLUG, DRAIN	9		3		7		14
PINION/BEVEL/11	28		11		16	SEAL, OIL/TC30458	13		28
PINION, DIFF/12T	28	PLUG, DRAIN (1/4)	37		5	SEAL, OIL/TC35528	6		22
PINION, WHEEL/11. L	28		29		10		17		23
PINION, WHEEL/11. R	27	PTO/MID/HST	42		18	SEAL, OIL/TC35558	17		19
PIPE/B2	3	PUMP/GEAR	23		1	SEAL, OIL/VC20325	18		39
PIPE/CLEANER/INLET	4	RADIATOR	52		12	SEAL, OIL/VC35506	7		48
PIPE/DEL/F/U	52	REFLECTOR	1		1	SEAL, OIL/21	31		40
PIPE/DERIVERY/R	52	RELAY/4P	63		16	SHACKLE	7		53
PIPE/SUCTION	52	RIM/WHEEL	65		26	SHAFT	11		42
PIPE/U	37	RING/0	46		2		5		42
PIPE/123	30		46		7	SHAFT/DRIVE/F	4		42
PISTON	49		35		12	SHAFT/DRIVE/PTO	18		39
PIVOT/TRUNNION	25		37		7	SHAFT/FRONT	32		18
PLATE	50		37		11	SHAFT/INPUT	9		14
PLATE	58		80		9	SHAFT/PARKING	9		9
PLATE/BATTERY	7	RING/SNAP	9		17	SHAFT/PTO	22		32
PLATE/BUMPER	38		30		8	SHAFT/PTO/MID	28		19
PLATE/COVER	11		40		16		4		22
PLATE/GRILLE	55		40		17	SHAFT/STEERING/ COMP	7		23
PLATE/I/19X254	20		42		7	SHAFT/SUB	36		36
PLATE/I/19X288	15		42		14	SHAFT/WHEEL	13		13
PLATE/I/30X50	15	RING, BACKUP	48		5	SHAFT/4WD	16		30
	16	RING, SNAP/15 C	49		3	SHAFT, DIFF. PINION	9		14
	20		25		15	SHAFT, FRONT WHEEL	24		28

DESCRIPTION	REF . NO	DESCRIPTION	REF . NO	DESCRIPTION	REF . NO	DESCRIPTION	REF . NO
WASHER, SP/M10	2	WIRE	23		34		
	2		24		3		
	6		32		31		
	9	WRENCH, SOCKET/17X19	40		14		
	9	YOKE COMP	78		2		
	11		32		8		
	12		32		20		
	22	YOKE, LH	32		4		
	23	YOKE, SPLINE B	39		3		
	28						
	29						
	35						
	36						
	36						
	38						
	42						
	47						
WASHER, SP/M12	9						
	21						
	29						
	30						
	38						
	41						
	42						
	45						
	46						
	47						
	53						
	53						
	58						
WASHER, WIRE TENSION	61						
WHEEL	44						
	44						
	45						
	45						
	44						
WHEEL/Front/LH ASSY	44						
WHEEL/Front/RH ASSY	44						
WHEEL/STEERING ASSY	34						
WHEEL/15X10LB COMP	33						
	33						
WHEEL/16X5JA COMP	33						
	33						
WHEEL/18XW6 COMP	33						
	33						
WIRE	9						
	15						
	16						
	20						