

Directions for use of Parts Catalogue

1. Applicable model of machines

All component and option parts used for TM215/217 tractors are listed in this parts catalogue.

1) MODEL TYPE

F : 4WD

U : POWER STEERING

M : MID PTO

2) AREA CODE

E1 : ASIA

E4 : EUROPE AND OCEANIA

2. Explanation for head paragraph

KEY	PART CODE	DESCRIPTION	QTY	TYPE OF MODEL				I T C	C O L	G R P	REMARKS
				TF15	TF17	TF19					
126	1614-508-200-00	FILTER(SUCTION) ASSY	1		*				4E		
127	V721-103-103-50	O-RING	1		*						
128	1614-508-260-00	FILTER(SUCTION) ASSY	1		*	981- -1799					
129	1614-508-262-00	FILTER(LH)	1	*	*	*					FIG. 164
		ASSY	1	*	*	*			4E	A	
			1	*	*	I- -1999		3			

- ① KEY shows the location of parts diagramed in the illustration.
- ② Parts numbers begin with `V` and `W` are standard parts of the market.
- ③ `LH` and `RH` on the parts name are described against the moving direction of the machine or are described on the condition how to install parts on the machines.

- ④ QTY shows the number of parts to be used for one unit of machine.
 `M` is indicated for parts supplied by a meter long.
 `ℓ` is indicated for parts supplied by liter.
 `AR` is indicated for parts need to be adjusted or regulated.
- ⑤ The following symbol classifies parts to be used for machines.
 `*` means standard parts.
 `T` shows that the parts can be installed as optional parts.
 `R` shows that the parts can be used as applicable parts to replace originally equipped parts.
- ⑥ Serial number : upper row shows the serial number for the first product and lower row for the last product.
 Example : Serial no. 1 through to serial no. 1999.
- ⑦ ITC : Interchangeability
 `1` ...OLD ← NEW
 New parts can be used in place of the old parts.
 `2` ...OLD → NEW
 Old parts can be used in place of the new parts.
 `3` ...OLD →← NEW
 Old parts and new parts can not be replaced each other.
- ⑧ COL : Color code
 Color is signified with color code number for colored parts.
 Please see the color list shown in the next page.
- ⑨ GRP : Parts shown in this column can be replaced by SET parts.
 Exsample : Parts marked Ⓐ can be replaced by parts marked Ⓑ, and Ⓒ for Ⓓ, so the rest follow in the same alphabetical order.
- ⑩ Remarks
 * Other maker's part code number is shown in this column.
 * When Fig. No. is shown in the Remark column of SET parts or ASSY parts, each of their component parts are listed in said Fig. No.

3. Color :

The following colors are used for color parts.

COLOR CODE	COLOR	SPRAY TYPE CODE NUMBER	PAINTS 4K DRUM	PAINTS 16K DRUM
4 G	CRYSTAL BLUE	1300-957-001-10	1300-957-003-00	1300-957-004-00
5 I	SUNSET GRAY	1300-959-001-10	1300-959-003-00	1300-959-004-00
6 G	SUMMER WHITE	1300-958-001-10	1300-958-003-00	1300-958-004-00
7 F	MIRROR BLACK	1300-954-001-10	1300-954-003-00	1300-954-004-00

NOTE : Color code is signified only for the parts assigned by the maker as color parts.

4. Serial Numbers :

- 1) For engines serial number is stamped on CYLINDER BLOCK ASSY.

Please see Fig. No. 5 - 1.

- 2) For chassies serial number is shown on the LABEL.

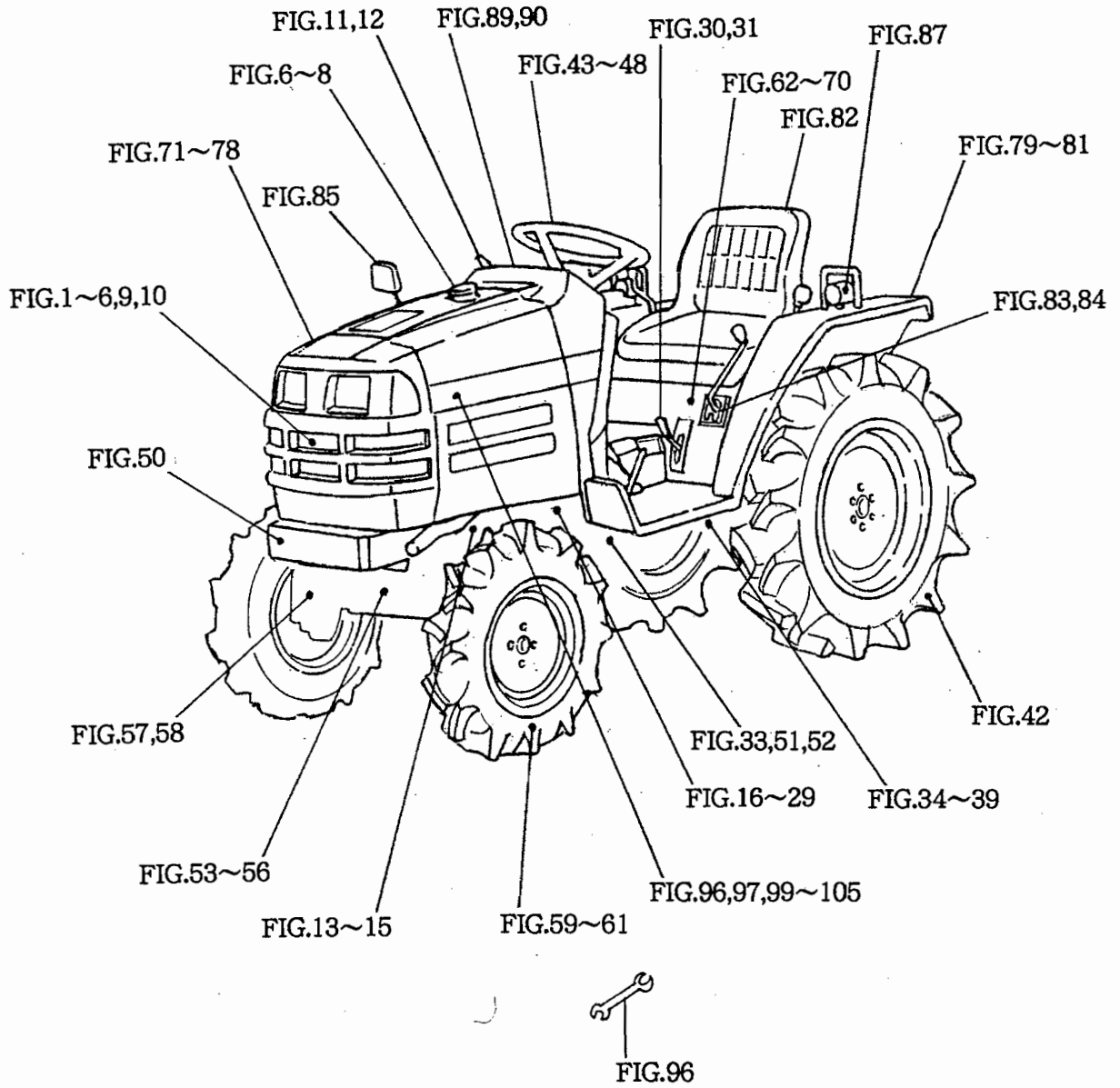
Please see



5. Parts Order

- 1) Parts numbers listed in the parts catalogue are all registered in "ISEKI on-line computer".
- 2) When you order parts, please make sure of correct numbers.
- 3) When substitute parts is available, the part number ordered will be automatically turned to a new part number.
- 4) Please be sure to use "ISEKI GENUINE PARTS".

Any other similar parts other than ISEKI parts when used may cause a trouble that makes us unable to repair or guarantee the warrant.



CONTENTS

TM215

ENGINE (E393-B03)

CYLINDER HEAD	Fig. 1
CYLINDER HEAD COVER	Fig. 2
INLET MANIFOLD	Fig. 3
EXHAUST MANIFOLD	Fig. 4
CYLINDER BLOCK	Fig. 5
BEARING/UNDER SIZE (OPTION)	Fig. 6
OIL PAN.....	Fig. 7
REAR PLATE	Fig. 8
TIMING GEAR CASE	Fig. 9
HANGER	Fig. 10
VALVE	Fig. 11
CAM SHAFT	Fig. 12
PISTON	Fig. 13
PISTON/OVER SIZE (OPTION)	Fig. 14
CRANK SHAFT	Fig. 15
OIL PUMP	Fig. 16
WATER PUMP	Fig. 17
COOLING FAN.....	Fig. 18
INJECTION NOZZLE	Fig. 19
INJECTION PUMP	Fig. 20
FUEL PIPE	Fig. 21
ELECTRIC (1)	Fig. 22
ELECTRIC (2)	Fig. 23
COMPONENT PARTS FOR 6215-300-005-00 ON Fig.19	Fig. 24
COMPONENT PARTS FOR 6215-600-113-00 ON Fig.20	Fig. 25
COMPONENT PARTS FOR 6281-100-005-00 ON Fig.22	Fig. 26
COMPONENT PARTS FOR 6281-200-005-00 ON Fig.22	Fig. 27

CONTENTS

TM217-FE1

ENGINE (E3100-B05)

CYLINDER HEAD	Fig. 1
CYLINDER HEAD COVER	Fig. 2
INLET MANIFOLD	Fig. 3
EXHAUST MANIFOLD	Fig. 4
CYLINDER BLOCK	Fig. 5
BEARING/UNDER SIZE (OPTION)	Fig. 6
OIL PAN.....	Fig. 7
REAR PLATE	Fig. 8
TIMING GEAR CASE	Fig. 9
HANGER	Fig. 10
VALVE	Fig. 11
CAM SHAFT	Fig. 12
PISTON	Fig. 13
PISTON/OVER SIZE (OPTION)	Fig. 14
CRANK SHAFT	Fig. 15
OIL PUMP	Fig. 16
WATER PUMP	Fig. 17
COOLING FAN.....	Fig. 18
INJECTION NOZZLE	Fig. 19
INJECTION PUMP	Fig. 20
FUEL PIPE	Fig. 21
ELECTRIC (1)	Fig. 22
ELECTRIC (2)	Fig. 23
COMPONENT PARTS FOR 6215 - 300 - 006 - 10 ON Fig.19	Fig. 24
COMPONENT PARTS FOR 6215 - 300 - 009 - 10 ON Fig.19	Fig. 25
COMPONENT PARTS FOR 6215 - 600 - 110 - 00 ON Fig.20	Fig. 26
COMPONENT PARTS FOR 6281 - 100 - 005 - 00 ON Fig.22	Fig. 27
COMPONENT PARTS FOR 6281 - 200 - 007 - 00 ON Fig.22	Fig. 28

CONTENTS

TM217-FE4

ENGINE (E3100-B07)

CYLINDER HEAD	Fig. 1
CYLINDER HEAD COVER	Fig. 2
INLET MANIFOLD	Fig. 3
EXHAUST MANIFOLD	Fig. 4
CYLINDER BLOCK	Fig. 5
BEARING/UNDER SIZE (OPTION)	Fig. 6
OIL PAN.....	Fig. 7
REAR PLATE	Fig. 8
TIMING GEAR CASE	Fig. 9
HANGER	Fig. 10
VALVE	Fig. 11
CAM SHAFT	Fig. 12
PISTON	Fig. 13
PISTON/OVER SIZE (OPTION)	Fig. 14
CRANK SHAFT	Fig. 15
OIL PUMP	Fig. 16
WATER PUMP	Fig. 17
COOLING FAN.....	Fig. 18
INJECTION NOZZLE	Fig. 19
INJECTION PUMP	Fig. 20
FUEL PIPE	Fig. 21
ELECTRIC (1)	Fig. 22
ELECTRIC (2)	Fig. 23
COMPONENT PARTS FOR 6215 - 300 - 006 - 10 ON Fig.19	Fig. 24
COMPONENT PARTS FOR 6215 - 300 - 009 - 10 ON Fig.19	Fig. 25
COMPONENT PARTS FOR 6215 - 600 - 110 - 00 ON Fig.20	Fig. 26
COMPONENT PARTS FOR 6281 - 100 - 005 - 00 ON Fig.22	Fig. 27
COMPONENT PARTS FOR 6281 - 200 - 005 - 00 ON Fig.22	Fig. 28

CONTENTS

CHASSIS

RADIATOR SYSTEM (FE1)	Fig. 1
RADIATOR SYSTEM (FE4)	Fig. 2
MUFFLER SYSTEM.....	Fig. 3
AIR CLEANER SYSTEM (TM217)	Fig. 4
AIR CLEANER SYSTEM (TM215)	Fig. 5
FILTER SYSTEM.....	Fig. 6
FUEL TANK SYSTEM (FE1)	Fig. 7
FUEL TANK SYSTEM (FE4)	Fig. 8
BATTERY SYSTEM (FE1).....	Fig. 9
BATTERY SYSTEM (FE4).....	Fig. 10
AXLE PEDAL SYSTEM.....	Fig. 11
AXLE LEVER SYSTEM.....	Fig. 12
MAIN CLUTCH SYSTEM (FE1)	Fig. 13
MAIN CLUTCH SYSTEM (FE4)	Fig. 14
CLUTCH PEDAL SYSTEM.....	Fig. 15
TRANSMISSION CASE SYSTEM (FE1)	Fig. 16
TRANSMISSION CASE SYSTEM (FE4)	Fig. 17
INPUT GEAR SYSTEM.....	Fig. 18
DRIVE PINION SYSTEM.....	Fig. 19
REVERSE GEAR SYSTEM.....	Fig. 20
GEAR (4WD) SYSTEM.....	Fig. 21
MAIN LEVER SYSTEM (FE1)	Fig. 22
MAIN/SAFETY SW LEVER SYSTEM (FE4).....	Fig. 23
SUB LEVER SYSTEM	Fig. 24
4WD CHANGE SYSTEM.....	Fig. 25
MAIN/SUB CHANGE SYSTEM	Fig. 26
P.T.O. GEAR/2ND SYSTEM (FE4)	Fig. 27
P.T.O. GEAR/1ST SYSTEM (FE1)	Fig. 28
P.T.O. SHAFT SYSTEM	Fig. 29
P.T.O. LEVER/2ND SYSTEM (FE4)	Fig. 30

P.T.O. LEVER/1ST SYSTEM (FE1).....	Fig. 31
SHIELD COVER SYSTEM.....	Fig. 32
MID PTO SYSTEM (FE4).....	Fig. 33
DIFF CASE SYSTEM.....	Fig. 34
REAR AXLE SYSTEM (FE4).....	Fig. 35
REAR AXLE SYSTEM (FE1).....	Fig. 36
WHEEL SHAFT SYSTEM.....	Fig. 37
BRAKE SYSTEM (FE1).....	Fig. 38
BRAKE MECHANICAL SYSTEM (FE4).....	Fig. 39
BRAKE PEDAL SYSTEM (FE1).....	Fig. 40
BRAKE/MECHANICAL PEDAL SYSTEM (FE4).....	Fig. 41
REAR WHEEL SYSTEM (OPTION).....	Fig. 42
STEERING WHEEL SYSTEM.....	Fig. 43
DRAG ROD SYSTEM (EXCEPT U TYPE).....	Fig. 44
CYLINDER SYSTEM (U TYPE).....	Fig. 45
MANUAL STEERING SYSTEM (FE1).....	Fig. 46
MANUAL STEERING SYSTEM (FE4).....	Fig. 47
STEERING SYSTEM (U TYPE).....	Fig. 48
PIPING SYSTEM (U TYPE).....	Fig. 49
AXLE BRACKET AND BUMPER SYSTEM.....	Fig. 50
DRIVE SHAFT SYSTEM (FE1).....	Fig. 51
DRIVE SHAFT SYSTEM (FE4).....	Fig. 52
DRIVE PINION SYSTEM (FE1).....	Fig. 53
DRIVE PINION SYSTEM (FE4).....	Fig. 54
AXLE HOUSING SYSTEM (EXCEPT U TYPE).....	Fig. 55
AXLE HOUSING SYSTEM (U TYPE).....	Fig. 56
FINAL GEAR AND FINAL DRIVE SHAFT SYSTEM.....	Fig. 57
TIE ROD SYSTEM.....	Fig. 58
FRONT WHEEL (TM217 – AGR1) SYSTEM (OPTION).....	Fig. 59
FRONT WHEEL (TM215 – AGR1) SYSTEM (OPTION).....	Fig. 60
FRONT WHEEL (TURF) SYSTEM (OPTION).....	Fig. 61
CYLINDER CASE SYSTEM.....	Fig. 62
LIFT ARM SYSTEM.....	Fig. 63
CYLINDER SYSTEM.....	Fig. 64

POSITION LEVER SYSTEM.....	Fig. 65
POSITION ARM SYSTEM.....	Fig. 66
PIPING SYSTEM (FE1)	Fig. 67
PIPING SYSTEM (FE4)	Fig. 68
PIPING SYSTEM (U TYPE)	Fig. 69
3P LINK SYSTEM.....	Fig. 70
HOOD SYSTEM (FE1).....	Fig. 71
HOOD SYSTEM (FE4).....	Fig. 72
GRILLE SYSTEM (FE1)	Fig. 73
GRILLE SYSTEM (FE4)	Fig. 74
STEERING COVER AND PARKING CAP SYSTEM (FE1)	Fig. 75
STEERING COVER SYSTEM (FE4).....	Fig. 76
SIDE COVER SYSTEM (FE1)	Fig. 77
SIDE COVER SYSTEM (FE4)	Fig. 78
FENDER SYSTEM (FE1)	Fig. 79
FENDER SYSTEM (FE4)	Fig. 80
LEVER GUIDE SYSTEM.....	Fig. 81
SEAT SYSTEM (FE1)	Fig. 82
SEAT SYSTEM (NON – SEAT TYPE) (FE4).....	Fig. 83
STEP SYSTEM.....	Fig. 84
MIRROR SYSTEM.....	Fig. 85
HEAD LAMP SYSTEM.....	Fig. 86
LAMP SYSTEM (FE1).....	Fig. 87
LAMP SYSTEM (FE4).....	Fig. 88
PANEL SYSTEM (FE1)	Fig. 89
PANEL SYSTEM (FE4)	Fig. 90
SWITCH SYSTEM (FE1).....	Fig. 91
SWITCH SYSTEM (FE4).....	Fig. 92
KEY STOP HARNESS SYSTEM (FE1).....	Fig. 93
HARNESS SYSTEM (FE4)	Fig. 94
7P COUPLER SYSTEM (OPTION)	Fig. 95
ORNAMENT SYSTEM.....	Fig. 96
LABEL/CONTROL SYSTEM	Fig. 97
LABEL (UK) SYSTEM (OPTION)	Fig. 98

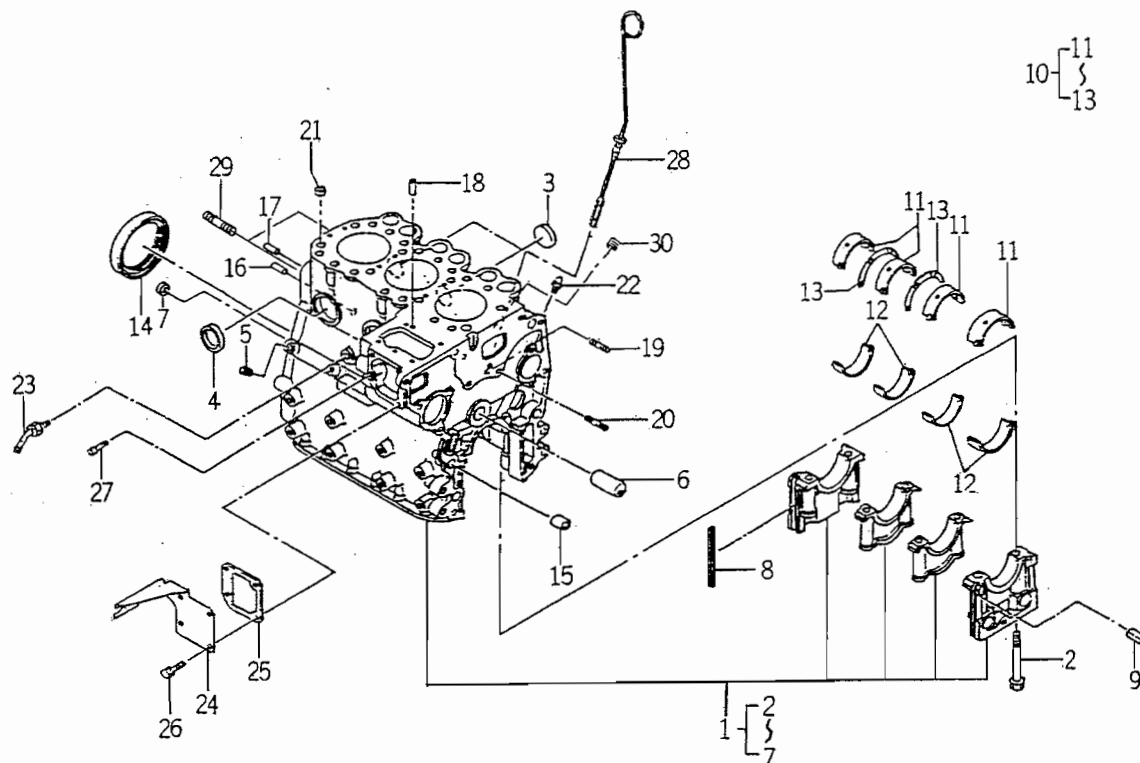
LABEL (FRANCE) SYSTEM (FE4,FMUE4) (OPTION).....	Fig. 99
LABEL (GERMANY) SYSTEM (FE4,FMUE4) (OPTION)	Fig. 100
LABEL (PORTUGAL) SYSTEM (FE4,FMUE4) (OPTION)	Fig. 101
TOOL SYSTEM	Fig. 106
COMPONENT PARTS FOR K211 - 001 - 000 - 00 ON Fig.64	Fig. 107
COMPONENT PARTS FOR K233 - 003 - 000 - 00 ON Fig.49	Fig. 108

WIRING DIAGRAM

ENGINE

E393 - B03...TM215

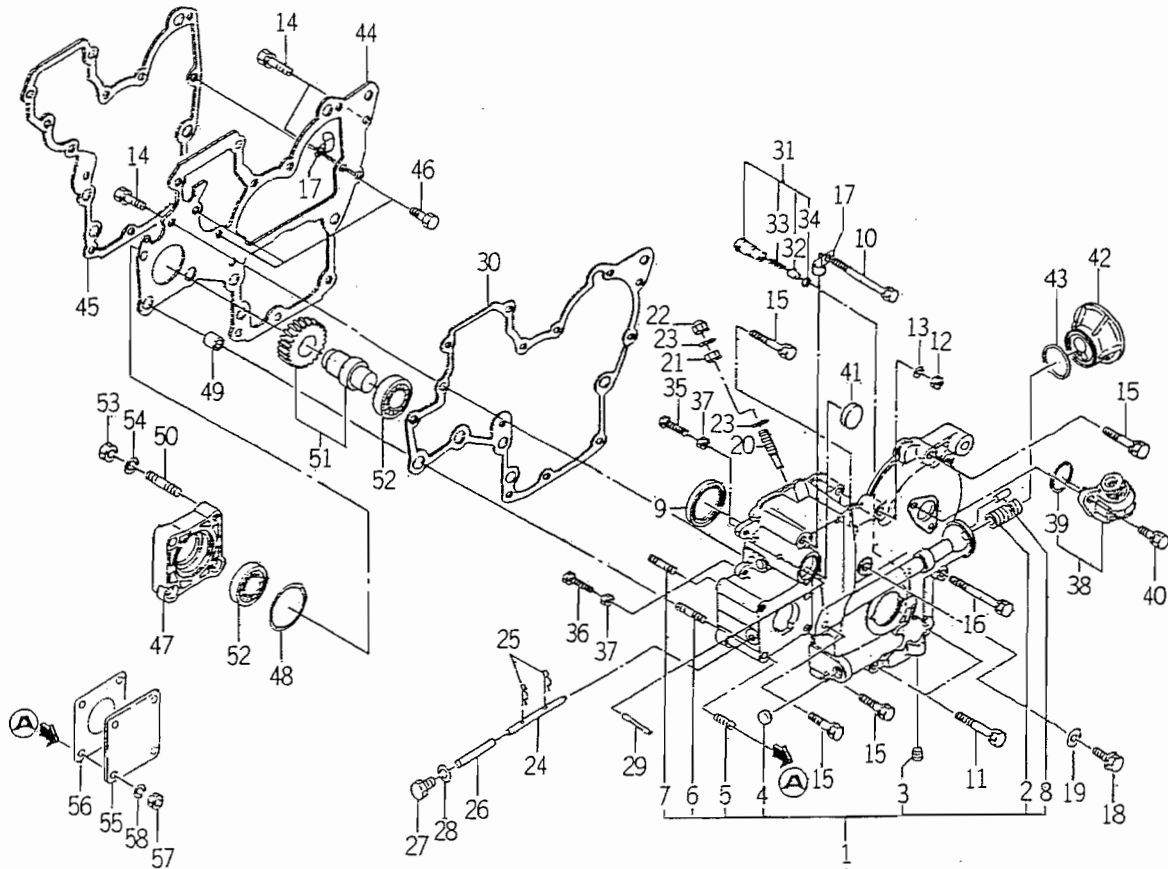
FIG. 5 CYLINDER BLOCK



6003-201Y

KEY	PART CODE	DESCRIPTION	QTY	TYPE OF MODEL		I T C	C O L	G R P	REMARKS
				E393 B03					
1	6211 - 210 - 050 - 10	CYLINDERBLOCK ASSY	1	*					
2	6209 - 000 - 004 - 10	BOLT	8	*					
3	6209 - 610 - 001 - 00	CAP,SEALING	2	*					
4	6911 - 219 - 195 - 00	CAP,SEALING	4	*					
5	6509 - 605 - 019 - 10	PLUG	3	*					
6	6212 - 531 - 005 - 10	PIN/IDLEGEAR	1	*					
7	6911 - 129 - 083 - 00	CAP,SEALING	1	*					
8	6211 - 258 - 001 - 00	SEAL,BEARING CAP	4	*					
9	6211 - 258 - 002 - 00	SEAL,BEARING CAP/7	2	*					
10	6211 - 510 - 001 - 00	METAL,CRANK SET	1	*					
11	6211 - 511 - 003 - 00	BEARING/CRANK/UPPER	4	*					
12	6211 - 511 - 004 - 00	BEARING/CRANK/LOWER	4	*					
13	6211 - 599 - 001 - 10	BEARING,THRUST CRANK	2	*					
14	6209 - 625 - 001 - 00	SEAL,OIL	1	*					
15	6209 - 749 - 001 - 10	PIN,TUBE	2	*					
16	6908 - 160 - 816 - 00	PIN	1	*					
17	6209 - 740 - 004 - 00	PIN	1	*					
18	6908 - 160 - 510 - 00	PIN	2	*					
19	6904 - 110 - 818 - 00	STUD	1	*					
20	6904 - 110 - 840 - 00	STUD/M8X40	1	*					
21	6894 - 453 - 344 - 00	DOWEL	2	*					
22	6909 - 902 - 299 - 00	NIPPLE	1	*					
23	6213 - 721 - 007 - 00	PIPE/WATERDRAIN	1	*					
24	6211 - 291 - 016 - 00	COVER/INJECTIONPUMP	1	*					
25	6211 - 292 - 001 - 20	GASKET/COVER	1	*					

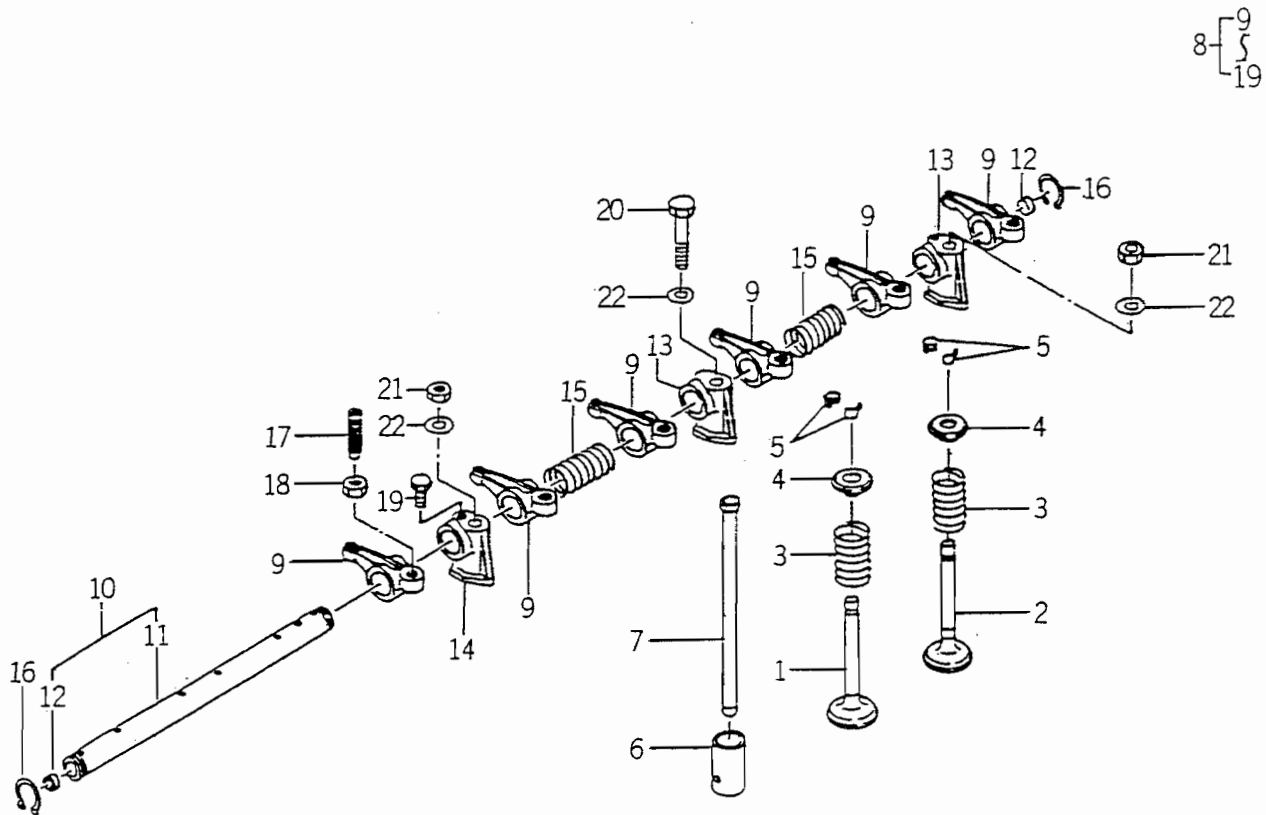
FIG. 9 TIMING GEAR CASE



6003-240H

KEY	PART CODE	DESCRIPTION	QTY	TYPE OF MODEL		I T C	C O L	G R P	REMARKS
				E393 B03					
1	6211 - 310 - 021 - 00	GEARCASE ASSY	1	*					
2	6213 - 319 - 004 - 00	CONNECTOR/OILFILTER	1	*					
3	6509 - 605 - 019 - 10	PLUG	1	*					
4	6209 - 610 - 002 - 10	CUP/SEALING/16	1	*					
5	6904 - 110 - 822 - 00	STUD	4	*					
6	6904 - 110 - 855 - 00	STUD	2	*					
7	6904 - 110 - 850 - 00	STUD	1	*					
8	6908 - 160 - 510 - 00	PIN	1	*					
9	6209 - 625 - 002 - 00	SEAL,OIL	1	*					
10	6209 - 030 - 005 - 00	BOLT/M8X85	1	*					
11	6509 - 000 - 084 - 00	BOLT/L = 55	2	*					
12	6909 - 110 - 508 - 00	NUT/M8	1	*					
13	6909 - 150 - 508 - 00	WASHER	1	*					
14	V211 - 560 - 802 - 00	BOLT/M8X20	3	*					
15	6901 - 910 - 845 - 00	BOLT,SEMS/M8X45	5	*					
16	6209 - 030 - 006 - 00	BOLT/M8X75	1	*					
17	1425 - 621 - 004 - 00	CLAMP,HARNESS	2	*					
18	6209 - 046 - 001 - 00	BOLT/M8X30	1	*					
19	6209 - 500 - 003 - 00	WASHER/08X14X01	1	*					
20	6215 - 546 - 003 - 00	STOPPER/FULLLOAD	1	*					
21	6209 - 409 - 001 - 00	NUT/M8	1	*					
22	V341 - 120 - 008 - 00	NUT,CAP/M 8	1	*					
23	6909 - 920 - 843 - 00	PACKING	2	*					
24	6215 - 542 - 004 - 20	PIN/ARM	1	*					
25	P117 - 303 - 003 - 00	PIN/SNAP	2	*					

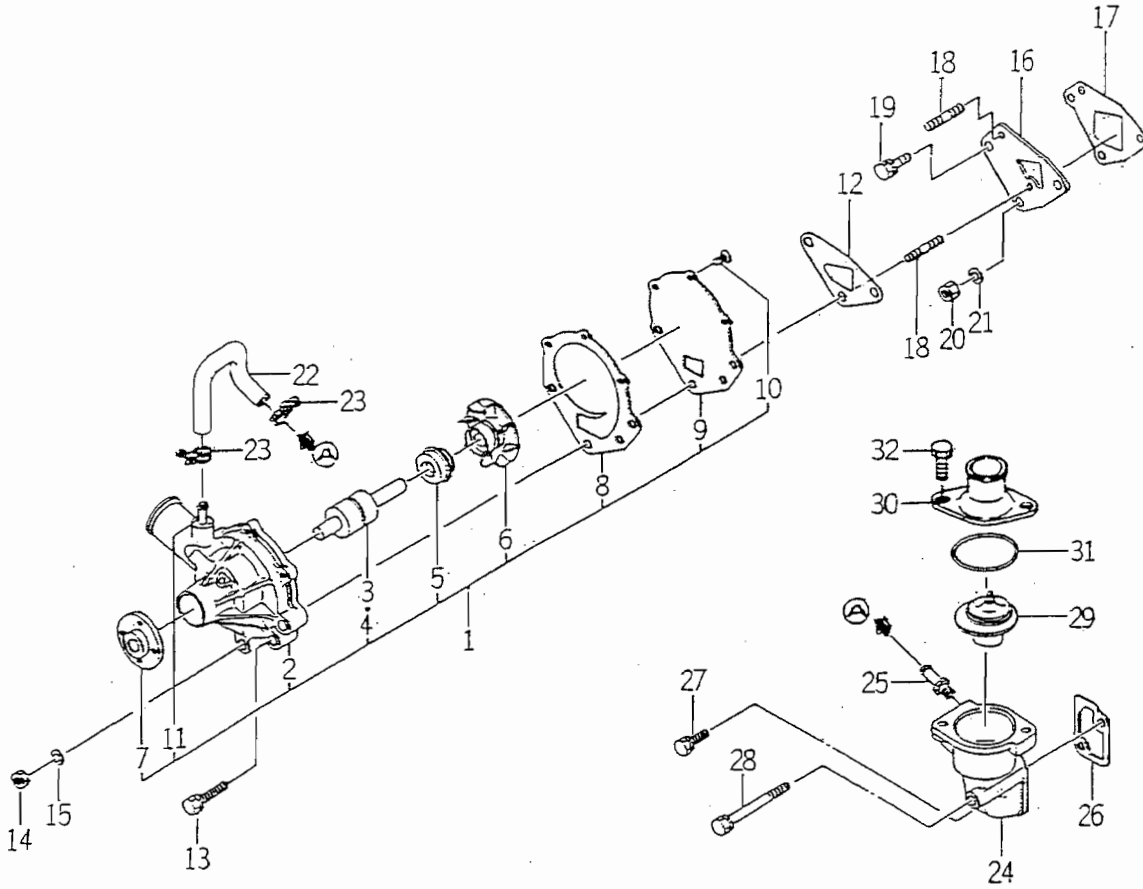
FIG. 11 VALVE



6003-301

KEY	PART CODE	DESCRIPTION	QTY	TYPE OF MODEL		I T C	C O L	G R P	REMARKS
				E393 B03					
1	6212 - 551 - 001 - 00	VALVE,INTAKE	3	*					
2	6212 - 552 - 001 - 00	VALVE,EXHAUST	3	*					
3	6212 - 561 - 001 - 00	SPRING,VALVE	6	*					
4	6212 - 563 - 001 - 00	SEAT,VALVE SPRING	6	*					
5	6212 - 565 - 001 - 00	CUTTER,VALVE	12	*					
6	6212 - 571 - 001 - 10	TAPPET	6	*					
7	6212 - 575 - 001 - 00	ROD,PUSH	6	*					
8	6212 - 600 - 002 - 00	SHAFT,ROCKER ASSY	1	*					
9	6212 - 611 - 004 - 10	ROCKERARM	6	*					
10	6212 - 620 - 001 - 10	SHAFT,ROCKER ARMASSY	1	*					
11	6212 - 621 - 002 - 10	SHAFT/ROCKERARM	1	*					
12	6212 - 626 - 002 - 10	PLUG	2	*					
13	6212 - 628 - 004 - 00	BRACKET ROCKER SHAFT	2	*					
14	6212 - 628 - 005 - 00	BRACKET,ROCKER SHAFT	1	*					
15	6209 - 940 - 004 - 00	SPRING	2	*					
16	V704 - 140 - 016 - 00	RING,SNAP/16 C	2	*					
17	6212 - 616 - 002 - 00	SCREW ADJUST	6	*					
18	6209 - 409 - 003 - 00	NUT	6	*					
19	6209 - 000 - 002 - 00	BOLT	1	*					
20	6901 - 050 - 850 - 00	BOLT/M8X45	1	*					
21	6909 - 110 - 508 - 00	NUT/M8	2	*					
22	6909 - 164 - 508 - 00	WASHER,PL/M8	3	*					

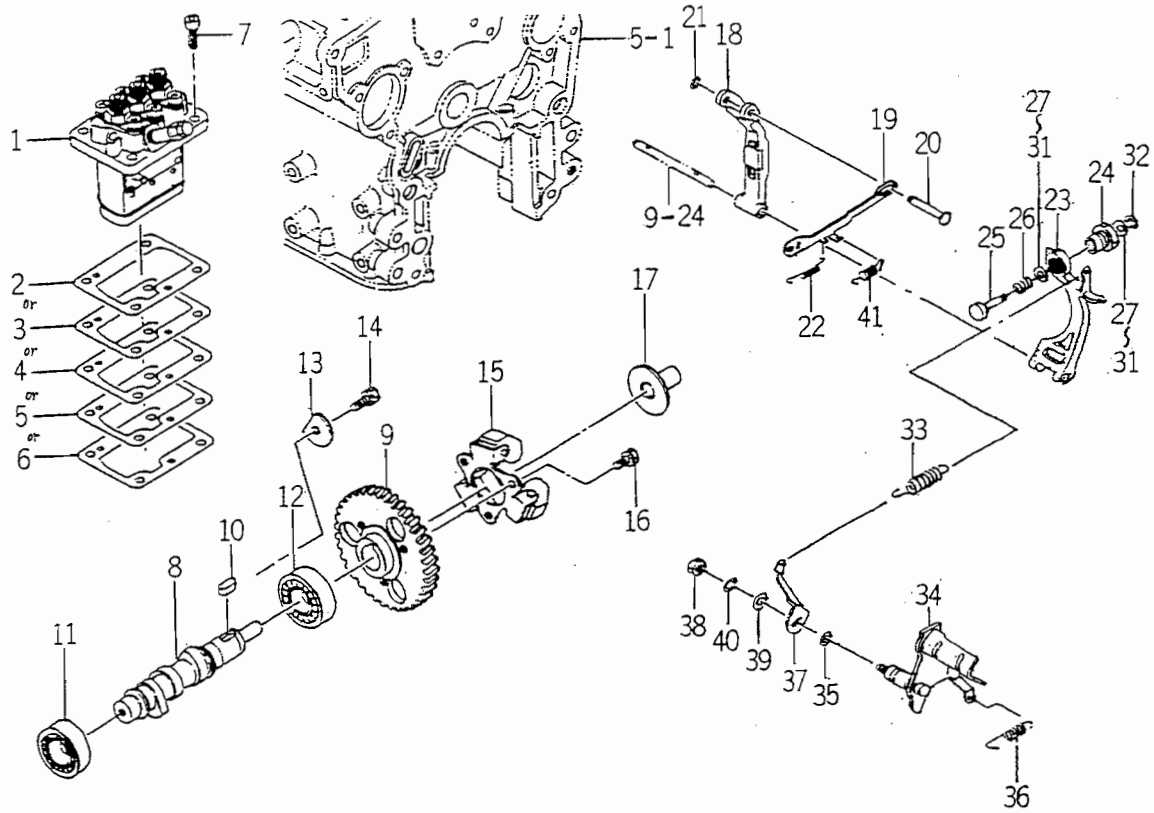
FIG. 17 WATER PUMP



6003-420B

KEY	PART CODE	DESCRIPTION	QTY	TYPE OF MODEL		I T C	C O L	G R P	REMARKS
				E393 B03					
1	6213 - 610 - 005 - 30	WATERPUMP ASSY	1	*					
2	6213 - 611 - 003 - 20	BODY/WATERPUMP	1	*					
3	6213 - 631 - 002 - 00	BEARING/WATER PUMP	1	*					
4	6213 - 631 - 005 - 00	BEARING/WATERPUMP	1	*					
5	6213 - 622 - 002 - 10	SEAL SET/WATER PUMP	1	*					
6	6213 - 621 - 003 - 00	ROTOR/WATERPUMP	1	*					
7	6213 - 642 - 002 - 00	SEAL/WATER PUMPPULLE	1	*					
8	6213 - 613 - 002 - 10	GASKET	1	*					
9	6213 - 612 - 004 - 00	PLATE/WATER PUMP	1	*					
10	6213 - 619 - 003 - 00	SCREW/WATER PUMP	3	*					
11	6213 - 619 - 002 - 00	PIPE/WATER PUMP	1	*					
12	6213 - 614 - 003 - 10	GASKET/WATER PUMP	1	*					
13	6901 - 910 - 845 - 00	BOLT,SEMS/M8X45	1	*					
14	6909 - 110 - 508 - 00	NUT/M8	2	*					
15	6909 - 150 - 508 - 00	WASHER	2	*					
16	6213 - 619 - 005 - 00	SPACER,WATER PUMP	1	*					
17	6213 - 614 - 006 - 10	GASKET/SPACER	1	*					
18	6209 - 300 - 002 - 00	STUD	2	*					
19	V211 - 560 - 802 - 00	BOLT/M8X20	1	*					
20	6909 - 110 - 508 - 00	NUT/M8	1	*					
21	6909 - 150 - 508 - 00	WASHER	1	*					
22	6213 - 729 - 013 - 00	HOSE/RUBBER	1	*					
23	J061 - 210 - 015 - 00	CLAMP/WIRE/10 - 15	2	*					
24	6213 - 716 - 001 - 40	HOUSING/THERMOSTAT	1	*					
25	6213 - 721 - 003 - 00	PIPE,PUMP HOUSING	1	*					

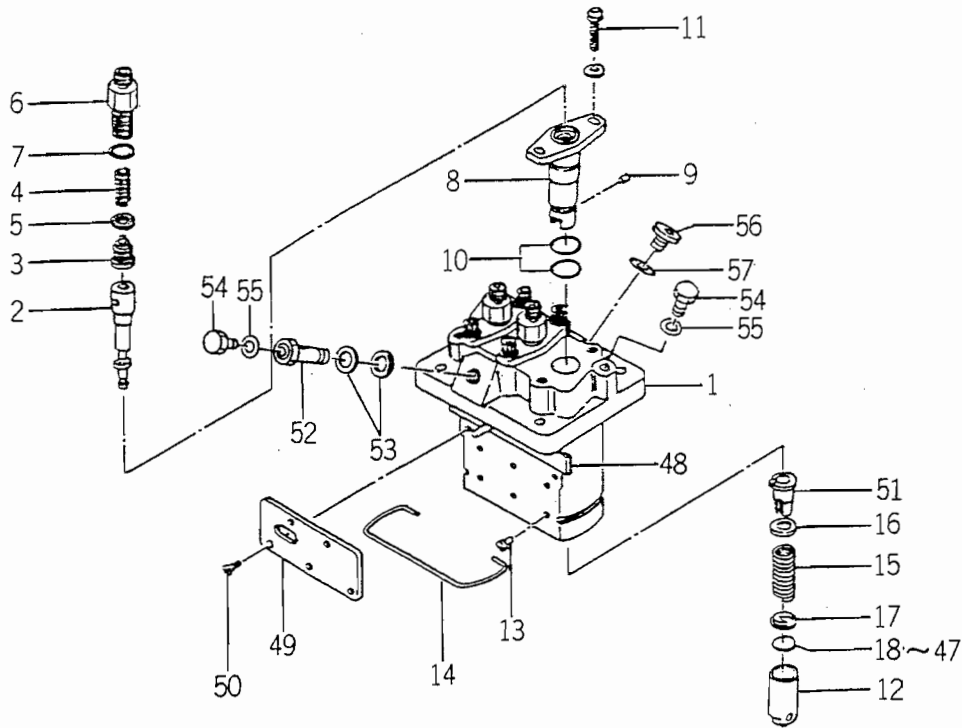
FIG. 20 INJECTION PUMP



6003-510K

KEY	PART CODE	DESCRIPTION	QTY	TYPE OF MODEL		I T C	C O L	G R P	REMARKS
				E393 B03					
1	6215 - 600 - 113 - 00	INJECTIONPUMP ASSY	1	*					FIG 025
2	6219 - 752 - 001 - 00	SHIM,INJECTION PUMP	1	*					
3	6219 - 752 - 002 - 00	SHIM,INJECTION PUMP	1	*					
4	6219 - 752 - 003 - 00	SHIM,INJECTION PUMP	1	*					
5	6219 - 752 - 004 - 00	SHIM,INJECTION PUMP	1	*					
6	6219 - 752 - 005 - 00	SHIM,INJECTION PUMP	1	*					
7	6209 - 056 - 001 - 00	BOLT/M6X18	4	*					
8	6215 - 621 - 001 - 30	CAMSHAFT/INJPUMP	1	*					
9	6212 - 524 - 002 - 00	GEAR,INJ PUMP	1	*					
10	6908 - 000 - 716 - 00	KEY	1	*					
11	V600 - 110 - 620 - 30	BEARING,RB/6203	1	*					
12	V600 - 110 - 600 - 40	BEARING,RB/6004	1	*					
13	6212 - 535 - 002 - 00	PLATE,THRUST INJPUMP	1	*					
14	6901 - 910 - 612 - 00	BOLT,SEMS/M6X12	1	*					
15	6215 - 520 - 001 - 00	FLYWEIGHT	1	*					
16	6209 - 030 - 043 - 00	BOLT/M6X10	3	*					
17	6215 - 526 - 001 - 10	PIECE,THRUST	1	*					
18	6215 - 541 - 001 - 00	ARM,FLOATING	1	*					
19	6215 - 543 - 001 - 10	LINK,CONTROL	1	*					
20	6215 - 542 - 006 - 00	PIN,CONTROL	1	*					
21	V710 - 140 - 004 - 00	RING,SNAP/ 4 E	1	*					
22	6215 - 549 - 003 - 00	SPRING,SETTING	1	*					
23	6215 - 541 - 016 - 30	ARM/TENSION	1	*					
24	6215 - 549 - 028 - 00	CASE/ADAPTER	1	*					
25	6215 - 549 - 027 - 10	PIN/ADAPTER	1	*					

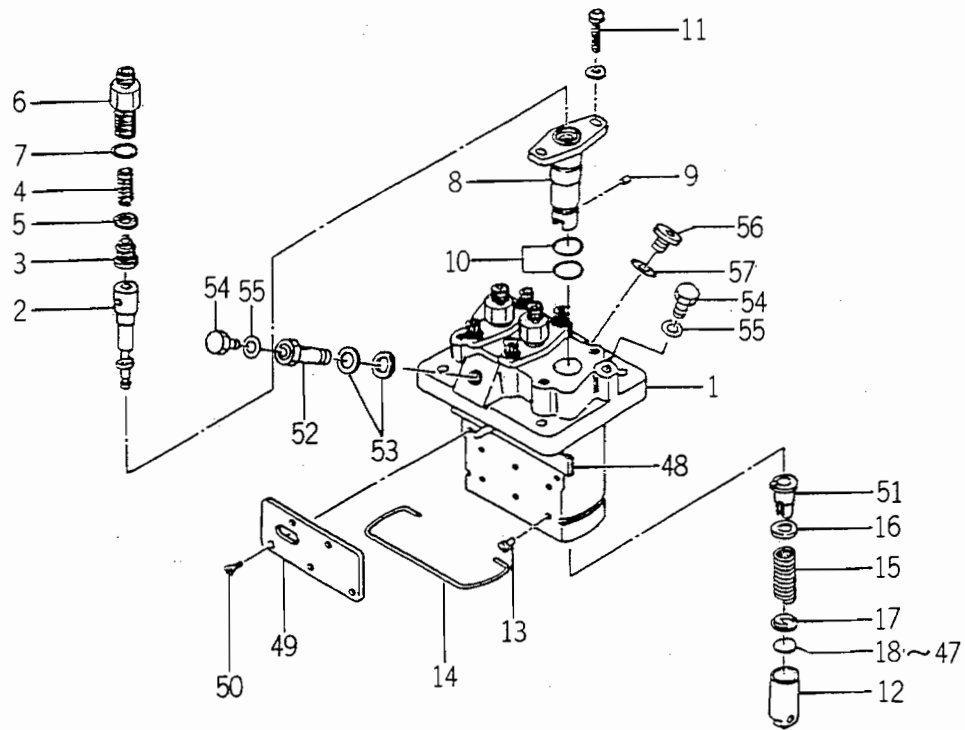
FIG. 25 COMPONENT PARTS FOR 6215 - 600 - 113 - 00 ON Fig.20



6215-6001

KEY	PART CODE	DESCRIPTION	QTY	TYPE OF MODEL		I T C	C O L	G R P	REMARKS
				E393 B03					
1	6215 - 611 - 002 - 00	HOUSING,PUMP	1	*					
2	6215 - 631 - 017 - 00	PLUNGER ASSY	3	*					
3	6215 - 641 - 002 - 00	VALVE,DELIVERY	3	*					
4	6215 - 643 - 002 - 00	SPRING DELIVERY VALV	3	*					
5	6215 - 649 - 003 - 00	GASKET	3	*					
6	6215 - 644 - 003 - 00	HOLDER,DELIVERYVALVE	3	*					
7	6215 - 649 - 004 - 00	O - RING	3	*					
8	6215 - 635 - 002 - 00	SLEEVE,FRANGE	3	*					
9	6215 - 649 - 005 - 00	PIN	3	*					
10	6215 - 649 - 006 - 00	O - RING	6	*					
11	6215 - 649 - 007 - 00	SCREW	6	*					
12	6215 - 622 - 002 - 00	TAPPET	3	*					
13	6215 - 629 - 017 - 00	PIN	3	*					
14	6215 - 629 - 018 - 00	RING,SNAP	1	*					
15	6215 - 634 - 002 - 00	SPRING,PLUNGER	3	*					
16	6215 - 639 - 006 - 00	SEAT,SPRING	3	*					
17	6215 - 639 - 007 - 00	SEAT,SPRING	3	*					
18	6215 - 629 - 020 - 00	PLATE/T = 1.80	3	*					
19	6215 - 629 - 021 - 00	PLATE/T = 1.85	3	*					
20	6215 - 629 - 022 - 00	PLATE/T = 1.90	3	*					
21	6215 - 629 - 023 - 00	PLATE/T = 1.95	3	*					
22	6215 - 629 - 024 - 00	PLATE/T = 2.00	3	*					
23	6215 - 629 - 025 - 00	PLATE/T = 2.05	3	*					
24	6215 - 629 - 026 - 00	PLATE/T = 2.10	3	*					
25	6215 - 629 - 027 - 00	PLATE/T = 2.15	3	*					

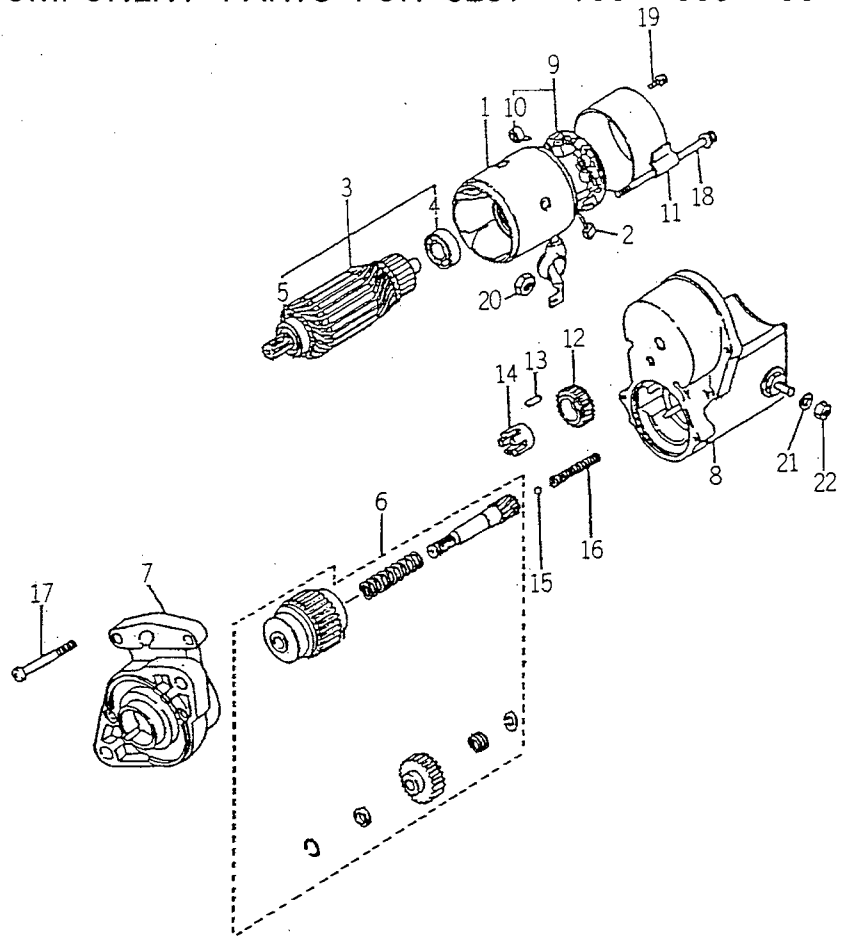
FIG. 25 COMPONENT PARTS FOR 6215 - 600 - 113 - 00 ON Fig.20



6215-6001

KEY	PART CODE	DESCRIPTION	QTY	TYPE OF MODEL		I T C	C O L	G R P	REMARKS
				E393 B03					
26	6215 - 629 - 028 - 00	PLATE/T = 2.20	3	*					
27	6215 - 629 - 029 - 00	PLATE/T = 2.25	3	*					
28	6215 - 629 - 030 - 00	PLATE/T = 2.30	3	*					
29	6215 - 629 - 031 - 00	PLATE/T = 2.35	3	*					
30	6215 - 629 - 032 - 00	PLATE/T = 2.40	3	*					
31	6215 - 629 - 033 - 00	PLATE/T = 2.45	3	*					
32	6215 - 629 - 034 - 00	PLATE/T = 2.50	3	*					
33	6215 - 629 - 068 - 00	PLATE	3	*					
34	6215 - 629 - 069 - 00	PLATE	3	*					
35	6215 - 629 - 070 - 00	PLATE	3	*					
36	6215 - 629 - 071 - 00	PLATE	3	*					
37	6215 - 629 - 072 - 00	PLATE	3	*					
38	6215 - 629 - 073 - 00	PLATE	3	*					
39	6215 - 629 - 074 - 00	PLATE	3	*					
40	6215 - 629 - 075 - 00	PLATE	3	*					
41	6215 - 629 - 076 - 00	PLATE	3	*					
42	6215 - 629 - 077 - 00	PLATE	3	*					
43	6215 - 629 - 078 - 00	PLATE	3	*					
44	6215 - 629 - 079 - 00	PLATE	3	*					
45	6215 - 629 - 080 - 00	PLATE	3	*					
46	6215 - 629 - 081 - 00	PLATE	3	*					
47	6215 - 629 - 082 - 00	PLATE	3	*					
48	6215 - 637 - 002 - 00	ROD,CONTROL	1	*					
49	6215 - 612 - 002 - 00	PLATE	1	*					
50	6215 - 619 - 012 - 00	SCREW	4	*					

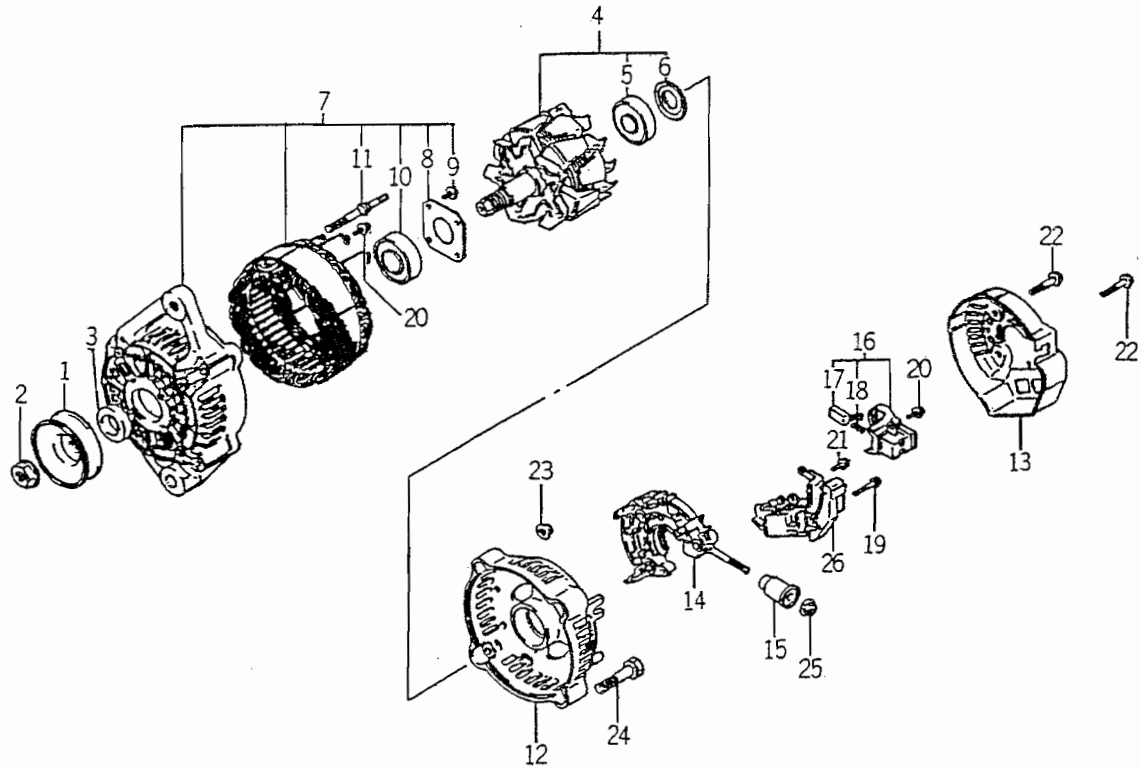
FIG. 26 COMPONENT PARTS FOR 6281 - 100 - 005 - 00 ON Fig.22



6281-1000

KEY	PART CODE	DESCRIPTION	QTY	TYPE OF MODEL		I T C	C O L	G R P	REMARKS
				E393 B03					
1	6281 - 111 - 002 - 00	YOKE/STARTER	1	*					
2	6281 - 116 - 002 - 00	STARTER KIT	2	*					
3	6281 - 121 - 003 - 00	ARMATURE	1	*					
4	6281 - 129 - 010 - 00	BEARING,BALL	1	*					
5	6281 - 129 - 011 - 00	BEARING,BALL	1	*					
6	6281 - 124 - 001 - 00	STARTER KIT	1	*					
7	6281 - 129 - 020 - 00	HOUSING,STARTER ASSY	1	*					
8	6281 - 151 - 005 - 00	SWITCH,STARTER ASSY	1	*					
9	6281 - 118 - 002 - 00	HOLDER BRUSH ASSY	1	*					
10	6581 - 117 - 007 - 00	SPRING,BRUSH	4	*					
11	6281 - 115 - 005 - 00	FRAME,STARTER END	1	*					
12	6581 - 123 - 011 - 00	PINION,STARTER	1	*					
13	6581 - 129 - 099 - 00	RORA	5	*					
14	6581 - 129 - 100 - 00	RETAINER	1	*					
15	6581 - 129 - 092 - 00	BALL	1	*					
16	6581 - 129 - 096 - 00	SPRING	1	*					
17	6281 - 129 - 006 - 00	SCREW	2	*					
18	6281 - 129 - 008 - 00	BOLT/WS	2	*					
19	6281 - 129 - 009 - 00	SCREW/WS	2	*					
20	6909 - 111 - 508 - 00	NUT	1	*					
21	6909 - 150 - 508 - 00	WASHER	1	*					
22	6909 - 110 - 408 - 00	NUT/M8	1	*					

FIG. 27 COMPONENT PARTS FOR 6281 - 200 - 005 - 00 ON Fig.22



6281-200C

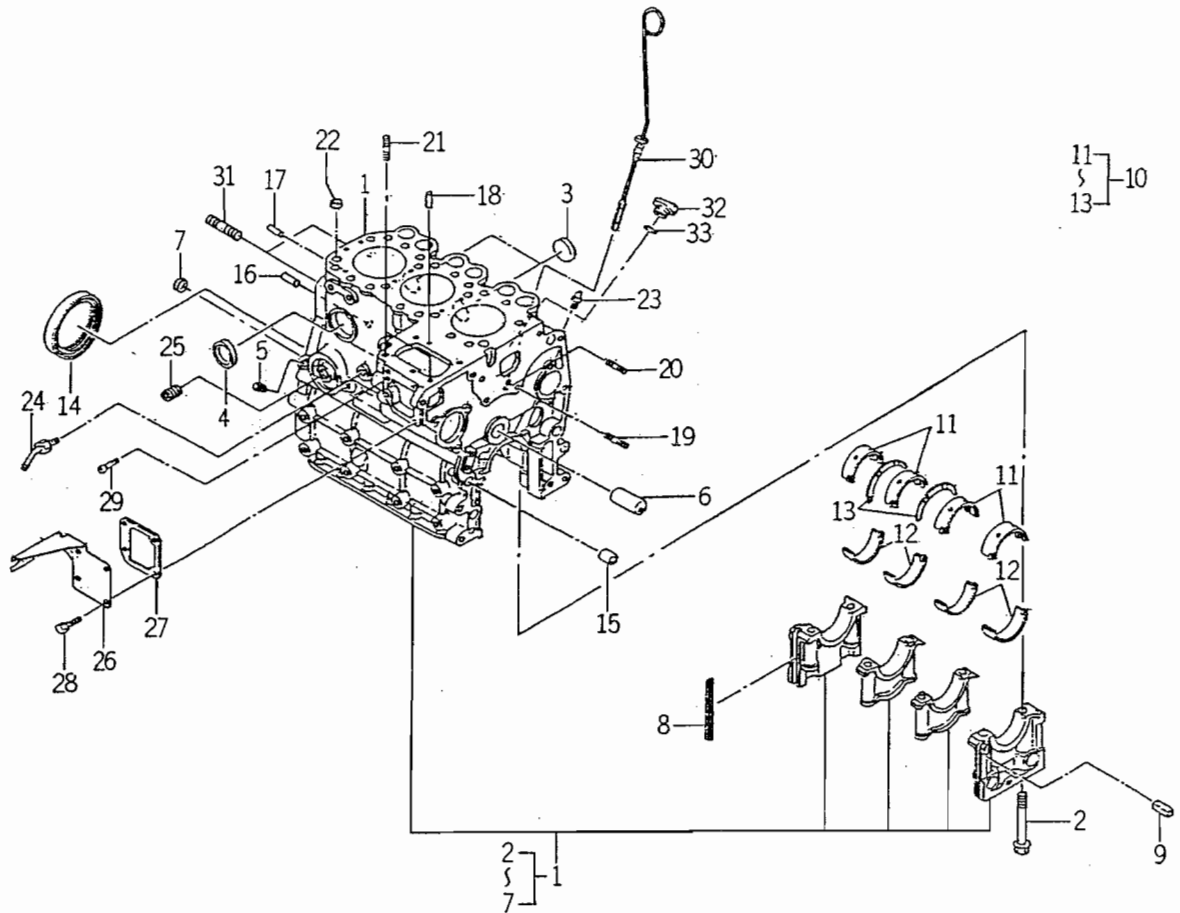
KEY	PART CODE	DESCRIPTION	QTY	TYPE OF MODEL		I T C	C O L	G R P	REMARKS
				E393 803					
1	6281 - 222 - 004 - 00	PULLEY	1	*					
2	6281 - 229 - 002 - 00	NUT	1	*					
3	6281 - 229 - 003 - 00	COLLOR	1	*					
4	6281 - 221 - 001 - 00	ROTOR ASSY	1	*					
5	6281 - 229 - 005 - 00	BEARING	1	*					
6	6281 - 229 - 004 - 00	COVER,BEARING	1	*					
7	6281 - 213 - 006 - 00	FRAME ASSY	1	*					
8	6281 - 229 - 006 - 00	PLATE	1	*					
9	6281 - 229 - 007 - 00	BOLT	4	*					
10	6281 - 229 - 009 - 00	BEARING	1	*					
11	6281 - 229 - 008 - 00	BOLT	2	*					
12	6281 - 214 - 003 - 00	FRAME	1	*					
13	6281 - 214 - 004 - 00	COVER	1	*					
14	6281 - 229 - 029 - 00	HOLDER ASSY	1	*					
15	6281 - 229 - 011 - 00	BUSH	1	*					
16	6281 - 217 - 001 - 00	HOLDER,BRUSH ASSY	1	*					
17	6281 - 215 - 001 - 00	BRUSH	2	*					
18	6281 - 216 - 001 - 00	SPRING	2	*					
19	6281 - 229 - 012 - 00	BOLT	2	*					
20	6281 - 229 - 013 - 00	BOLT	6	*					
21	6281 - 229 - 014 - 00	BOLT	1	*					
22	6281 - 229 - 015 - 00	BOLT	3	*					
23	6281 - 229 - 016 - 00	NUT	2	*					
24	6281 - 229 - 017 - 00	BOLT	2	*					
25	6281 - 229 - 018 - 00	NUT	1	*					

ENGINE

E3100-B05...TM217-FE1

ENGINE

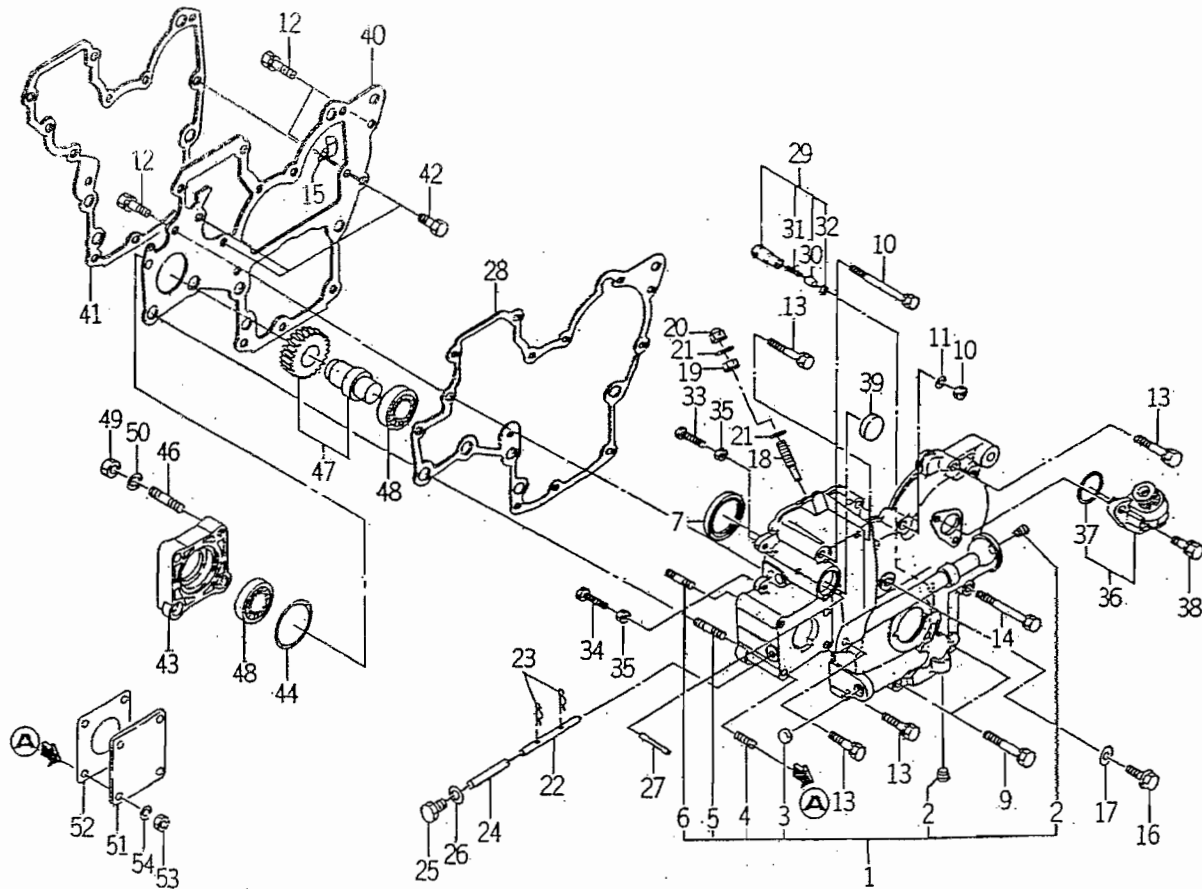
FIG. 5 CYLINDER BLOCK



6004-201L

KEY	PART CODE	DESCRIPTION	QTY	TYPE OF MODEL		I T C	C O L	G R P	REMARKS
				E3100 B05					
1	6211 - 210 - 053 - 00	CYLINDERBLOCK ASSY	1	*					
2	6209 - 000 - 004 - 10	BOLT	8	*					
3	6209 - 610 - 001 - 00	CAP,SEALING	2	*					
4	6911 - 219 - 195 - 00	CAP,SEALING	4	*					
5	6509 - 605 - 019 - 10	PLUG	3	*					
6	6212 - 531 - 005 - 10	PIN/IDLEGEAR	1	*					
7	6911 - 129 - 083 - 00	CAP,SEALING	2	*					
8	6211 - 258 - 001 - 00	SEAL,BEARING CAP	4	*					
9	6211 - 258 - 002 - 00	SEAL,BEARING CAP/7	2	*					
10	6211 - 510 - 001 - 00	METAL,CRANK SET	1	*					
11	6211 - 511 - 003 - 00	BEARING/CRANK/UPPER	4	*					
12	6211 - 511 - 004 - 00	BEARING/CRANK/LOWER	4	*					
13	6211 - 599 - 001 - 10	BEARING,THRUST CRANK	2	*					
14	6209 - 625 - 001 - 00	SEAL,OIL	1	*					
15	6209 - 749 - 001 - 10	PIN,TUBE	2	*					
16	6908 - 160 - 816 - 00	PIN	1	*					
17	6209 - 740 - 004 - 00	PIN	1	*					
18	6209 - 740 - 005 - 00	PIN	2	*					
19	6904 - 110 - 840 - 00	STUD/M8X40	1	*					
20	6904 - 110 - 818 - 00	STUD	1	*					
21	6904 - 110 - 822 - 00	STUD	2	*					
22	6894 - 453 - 344 - 00	DOWEL	2	*					
23	6909 - 902 - 299 - 00	NIPPLE	1	*					
24	6213 - 721 - 007 - 00	PIPE/WATERDRAIN	1	*					
25	6213 - 319 - 001 - 00	CONNECTOR,OIL FILTER	1	*					

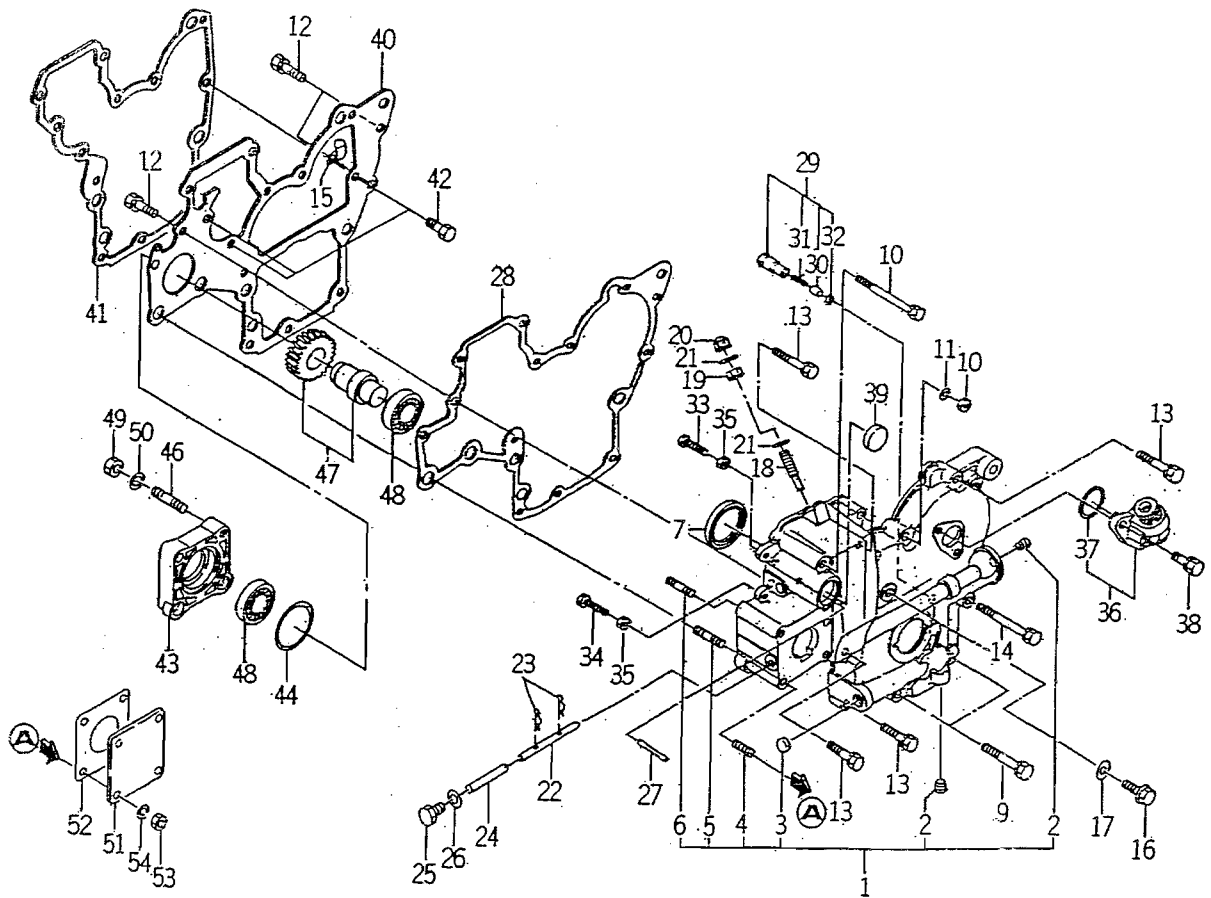
FIG. 9 TIMING GEAR CASE



6004-240E

KEY	PART CODE	DESCRIPTION	QTY	TYPE OF MODEL		I T C	C O L	G R P	REMARKS
				E3100 805					
1	6211 - 310 - 020 - 00	GEARCASE ASSY	1	*					
2	6509 - 605 - 019 - 10	PLUG	2	*					
3	6209 - 610 - 002 - 10	CUP/SEALING/16	1	*					
4	6904 - 110 - 814 - 00	STUD	4	*					
5	6904 - 110 - 855 - 00	STUD	2	*					
6	6904 - 110 - 850 - 00	STUD	1	*					
7	6209 - 625 - 002 - 00	SEAL,OIL	1	*					
8	6209 - 030 - 005 - 00	BOLT/M8X85	1	*					
9	6509 - 000 - 084 - 00	BOLT/L = 55	2	*					
10	6909 - 110 - 508 - 00	NUT/M8	1	*					
11	6909 - 150 - 508 - 00	WASHER	1	*					
12	V211 - 560 - 802 - 00	BOLT/M8X20	3	*					
13	6901 - 910 - 845 - 00	BOLT,SEMS/M8X45	5	*					
14	6209 - 030 - 006 - 00	BOLT/M8X75	1	*					
15	1425 - 621 - 004 - 00	CLAMP,HARNESS	1	*					
16	6209 - 046 - 001 - 00	BOLT/M8X30	1	*					
17	6209 - 500 - 003 - 00	WASHER/08X14X01	1	*					
18	6215 - 546 - 003 - 00	STOPPER/FULLLOAD	1	*					
19	6209 - 409 - 001 - 00	NUT/M8	1	*					
20	V341 - 120 - 008 - 00	NUT,CAP/M 8	1	*					
21	6909 - 920 - 843 - 00	PACKING	2	*					
22	6215 - 542 - 004 - 20	PIN/ARM	1	*					
23	P117 - 303 - 003 - 00	PIN/SNAP	2	*					
24	6215 - 542 - 005 - 00	PIN	1	*					
25	6909 - 202 - 308 - 00	PLUG	1	*					

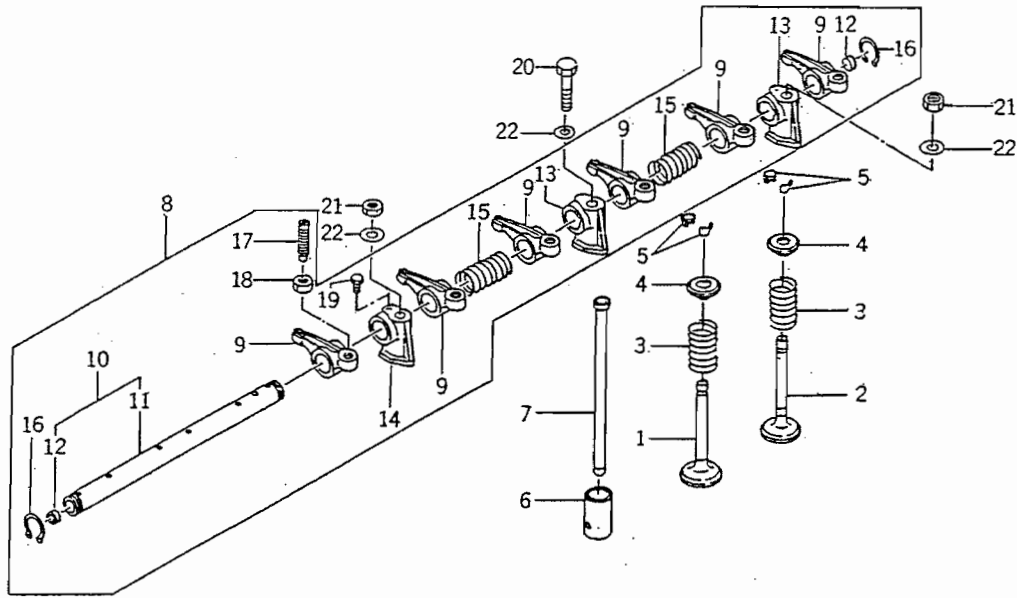
FIG. 9 TIMING GEAR CASE



6004-240E

KEY	PART CODE	DESCRIPTION	QTY	TYPE OF MODEL		I T C	C O L	G R P	REMARKS
				E3100	B05				
26	6909 - 920 - 843 - 00	PACKING	1	*					
27	6209 - 740 - 001 - 00	PIN,GROOVE	1	*					
28	6211 - 312 - 003 - 10	GASKET,GEAR CASE	1	*					
29	6213 - 160 - 002 - 00	VALVE/RELIEF ASSY	1	*					
30	6213 - 161 - 001 - 00	PISTON/RELIEF VALVE	1	*					
31	6213 - 164 - 001 - 00	SPRING/RELIEF VALVE	1	*					
32	V705 - 140 - 012 - 00	RING,SNAP/12 C	1	*					
33	6209 - 050 - 001 - 00	BOLT/M6	1	*					
34	6209 - 050 - 002 - 00	BOLT/M6	1	*					
35	6909 - 110 - 406 - 00	NUT	2	*					
36	6219 - 310 - 003 - 10	DRIVE/TACHOMETE ASSY	1	*					
37	V723 - 102 - 002 - 40	RING/O	1	*					
38	6901 - 910 - 616 - 00	BOLT,SEMS/M6X16	2	*					
39	3625 - 540 - 004 - 00	CAP,BLANK/30	1	*					
40	6211 - 311 - 007 - 20	PLATE,FRONT	1	*					
41	6211 - 312 - 004 - 10	GASKET,PLATEASE	1	*					
42	6902 - 050 - 816 - 00	BOLT	3	*					
43	6211 - 319 - 003 - 00	SPACER	1	*					
44	V723 - 102 - 005 - 00	O - RING 1A S50	1	*					
45	6209 - 749 - 001 - 10	PIN,TUBE	2	*					
46	6904 - 110 - 822 - 00	STUD	1	*					
47	6212 - 530 - 005 - 10	SHAFT/HYDRAULIC ASSY	1	*					
48	V600 - 110 - 600 - 50	BEARING,RB/6005	2	*					
49	6909 - 110 - 408 - 00	NUT/M8	4	*					
50	6909 - 150 - 508 - 00	WASHER	4	*					

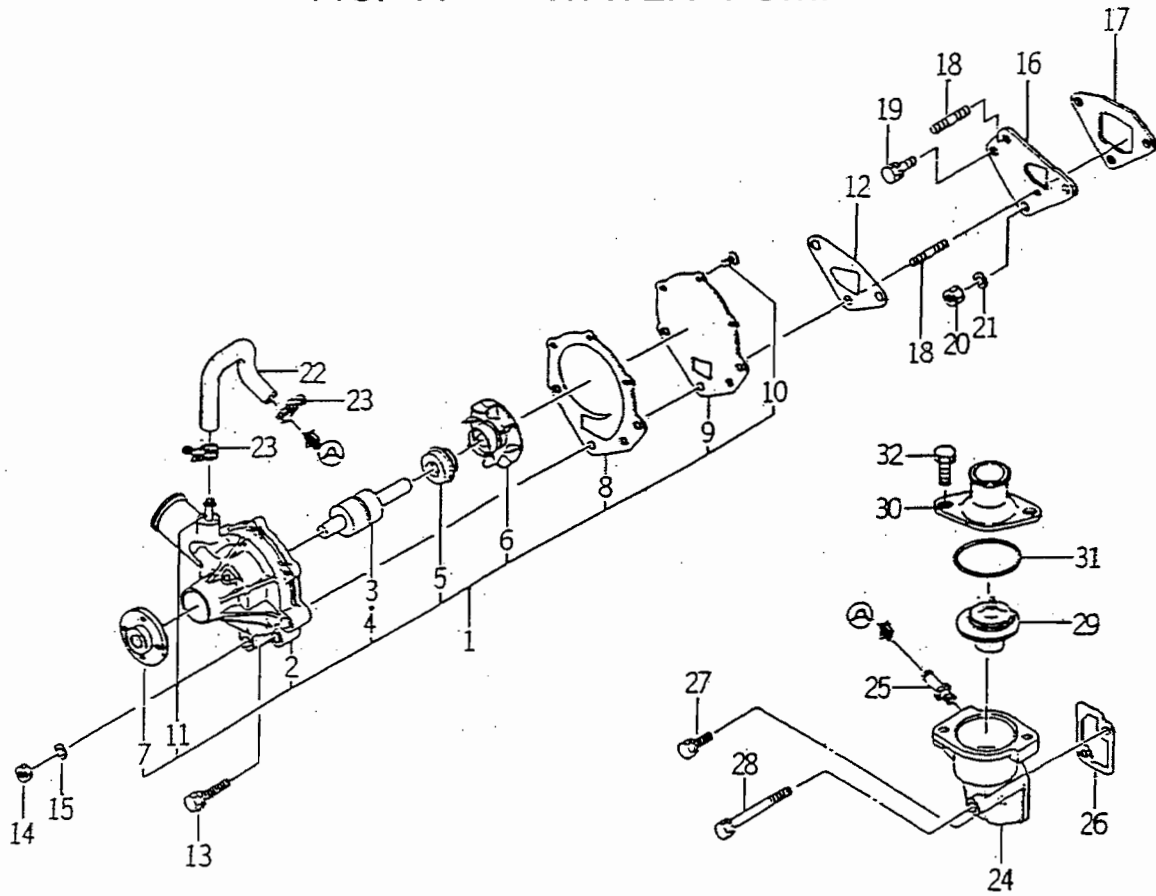
FIG. 11 VALVE



6004-301

KEY	PART CODE	DESCRIPTION	QTY	TYPE OF MODEL		I T C	C O L	G R P	REMARKS
				E3100 B05					
1	6212 - 551 - 001 - 00	VALVE,INTAKE	3	*					
2	6212 - 552 - 001 - 00	VALVE,EXHAUST	3	*					
3	6212 - 561 - 001 - 00	SPRING,VALVE	6	*					
4	6212 - 563 - 001 - 00	SEAT,VALVE SPRING	6	*					
5	6212 - 565 - 001 - 00	CUTTER,VALVE	12	*					
6	6212 - 571 - 001 - 10	TAPPET	6	*					
7	6212 - 575 - 002 - 00	ROD,PUSH	6	*					
8	6212 - 600 - 002 - 00	SHAFT,ROCKER ASSY	1	*					
9	6212 - 611 - 004 - 10	ROCKERARM	6	*					
10	6212 - 620 - 001 - 10	SHAFT,ROCKER ARMASSY	1	*					
11	6212 - 621 - 002 - 10	SHAFT/ROCKERARM	1	*					
12	6212 - 626 - 002 - 10	PLUG	2	*					
13	6212 - 628 - 004 - 00	BRACKET ROCKER SHAFT	2	*					
14	6212 - 628 - 005 - 00	BRACKET,ROCKER SHAFT	1	*					
15	6209 - 940 - 004 - 00	SPRING	2	*					
16	V704 - 140 - 016 - 00	RING,SNAP/16 C	2	*					
17	6212 - 616 - 002 - 00	SCREW ADJUST	6	*					
18	6209 - 409 - 003 - 00	NUT	6	*					
19	6209 - 000 - 002 - 00	BOLT	1	*					
20	6901 - 050 - 850 - 00	BOLT/M8X45	1	*					
21	6909 - 110 - 508 - 00	NUT/M8	2	*					
22	6909 - 164 - 508 - 00	WASHER,PL/M8	3	*					

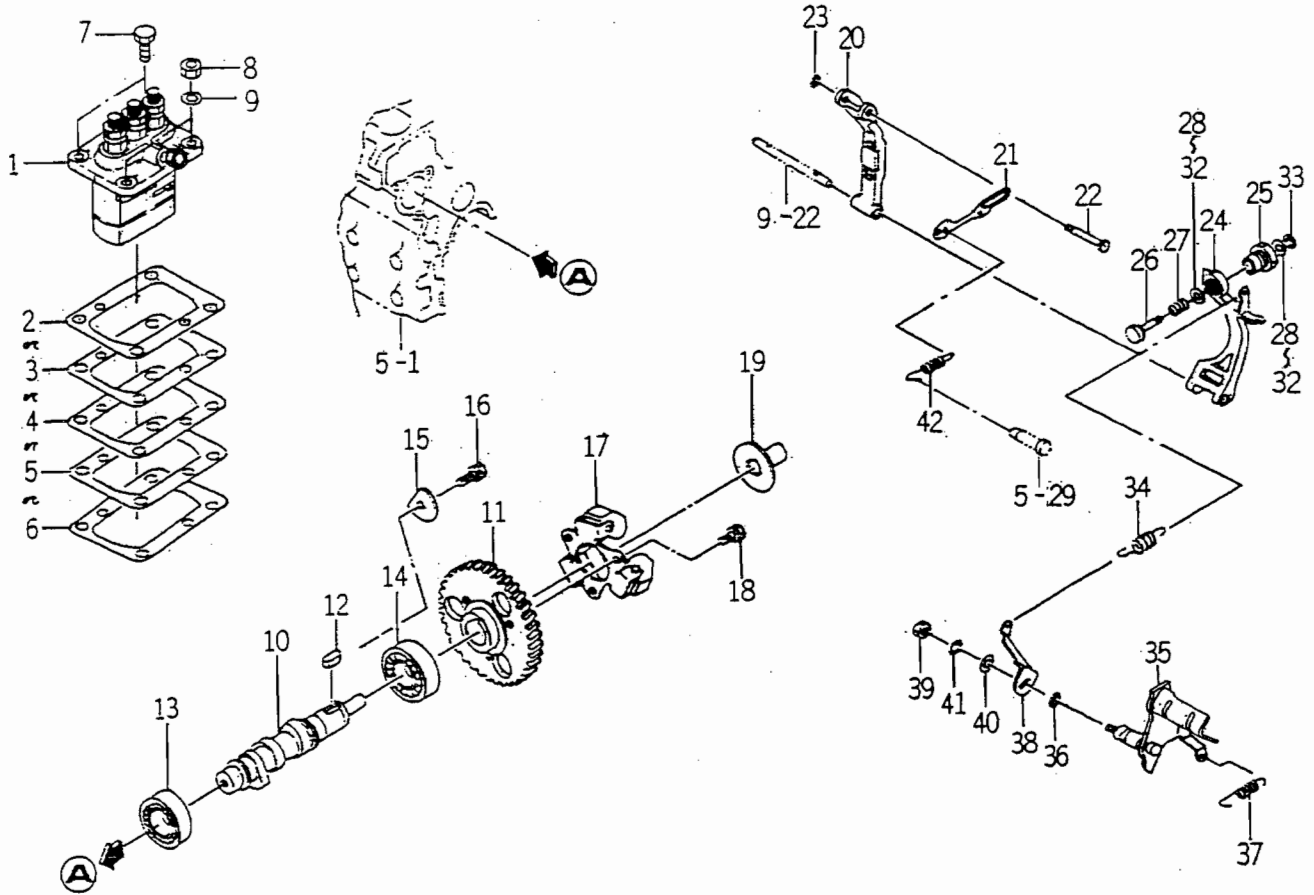
FIG. 17 WATER PUMP



6004-420

KEY	PART CODE	DESCRIPTION	QTY	TYPE OF MODEL		I T C	C O L	G R P	REMARKS
				E3100 B05					
1	6213 - 610 - 005 - 30	WATERPUMP ASSY	1	*					
2	6213 - 611 - 003 - 20	BODY/WATERPUMP	1	*					
3	6213 - 631 - 002 - 00	BEARING/WATER PUMP	1	*					
4	6213 - 631 - 005 - 00	BEARING/WATERPUMP	1	*					
5	6213 - 622 - 002 - 10	SEAL SET/WATER PUMP	1	*					
6	6213 - 621 - 003 - 00	ROTOR/WATERPUMP	1	*					
7	6213 - 642 - 002 - 00	SEAL/WATER PUMPPULLE	1	*					
8	6213 - 613 - 002 - 10	GASKET	1	*					
9	6213 - 612 - 004 - 00	PLATE/WATER PUMP	1	*					
10	6213 - 619 - 003 - 00	SCREW/WATER PUMP	3	*					
11	6213 - 619 - 002 - 00	PIPE/WATER PUMP	1	*					
12	6213 - 614 - 003 - 10	GASKET/WATER PUMP	1	*					
13	6901 - 910 - 845 - 00	BOLT,SEMS/M8X45	1	*					
14	6909 - 110 - 508 - 00	NUT/M8	2	*					
15	6909 - 150 - 508 - 00	WASHER	2	*					
16	6213 - 619 - 001 - 00	SPACER,PUMP.WATER	1	*					
17	6213 - 614 - 004 - 10	GASKET,SPACER	1	*					
18	6904 - 110 - 840 - 00	STUD/M8X40	2	*					
19	V211 - 560 - 802 - 00	BOLT/M8X20	1	*					
20	6909 - 110 - 508 - 00	NUT/M8	1	*					
21	6909 - 150 - 508 - 00	WASHER	1	*					
22	6213 - 729 - 013 - 00	HOSE/RUBBER	1	*					
23	J061 - 210 - 015 - 00	CLAMP/WIRE/10 - 15	2	*					
24	6213 - 716 - 001 - 40	HOUSING/THERMOSTAT	1	*					
25	6213 - 721 - 003 - 00	PIPE,PUMP HOUSING	1	*					

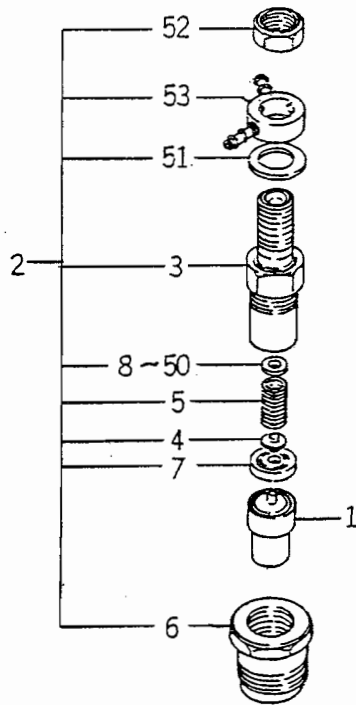
FIG. 20 INJECTION PUMP



6004-510J

KEY	PART CODE	DESCRIPTION	QTY	TYPE OF MODEL		I T C	C O L	G R P	REMARKS
				E3100 B05					
1	6215 - 600 - 110 - 00	INJECTIONPUMP ASSY	1	*					FIG 026
2	6219 - 752 - 006 - 00	SHIM/PUMP,INJ	1	*					
3	6219 - 752 - 007 - 00	SHIM/PUMP,INJ	1	*					
4	6219 - 752 - 008 - 00	SHIM/PUMP,INJ	1	*					
5	6219 - 752 - 009 - 00	SHIM/PUMP,INJ	1	*					
6	6219 - 752 - 010 - 00	SHIM/PUMP,INJ	1	*					
7	V201 - 360 - 802 - 00	BOLT/M8X20	2	*					
8	6909 - 110 - 508 - 00	NUT/M8	2	*					
9	6909 - 150 - 508 - 00	WASHER	2	*					
10	6215 - 621 - 002 - 30	SHAFT,CAM/INJ.PUMP	1	*					
11	6212 - 524 - 002 - 00	GEAR,INJ PUMP	1	*					
12	6908 - 000 - 716 - 00	KEY	1	*					
13	V600 - 110 - 620 - 30	BEARING,RB/6203	1	*					
14	V600 - 110 - 600 - 40	BEARING,RB/6004	1	*					
15	6212 - 535 - 002 - 00	PLATE,THRUST INJPUMP	1	*					
16	6901 - 910 - 612 - 00	BOLT,SEMS/M6X12	1	*					
17	6215 - 520 - 001 - 00	FLYWEIGHT	1	*					
18	6209 - 030 - 043 - 00	BOLT/M6X10	3	*					
19	6215 - 526 - 001 - 10	PIECE,THRUST	1	*					
20	6215 - 541 - 001 - 00	ARM,FLOATING	1	*					
21	6215 - 543 - 002 - 10	RINK/CONTROL	1	*					
22	6215 - 542 - 006 - 00	PIN,CONTROL	1	*					
23	V710 - 140 - 004 - 00	RING,SNAP/ 4 E	1	*					
24	6215 - 541 - 016 - 30	ARM/TENSION	1	*					
25	6215 - 549 - 028 - 00	CASE/ADAPTER	1	*					

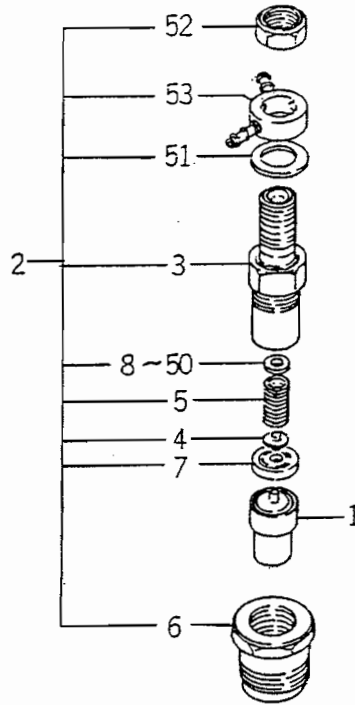
FIG. 24 COMPONENT PARTS FOR 6215 - 300 - 006 - 10 ON Fig.19



6215-3000

KEY	PART CODE	DESCRIPTION	QTY	TYPE OF MODEL		I T C	C O L	G R P	REMARKS
				E3100 B05					
1	6215 - 311 - 019 - 00	NOZZLE ASSY	2	*					
2	6215 - 330 - 004 - 00	HOLDER,NOZZLE ASSY	2	*					
3	6215 - 331 - 002 - 00	BODY,NOZZLE HOLDER	2	*					
4	6215 - 342 - 001 - 00	PIN,NOZZLE HOLDER	2	*					
5	6215 - 343 - 001 - 00	WASHER	2	*					
6	6215 - 332 - 004 - 00	NUT/NOZZLERETAINING	2	*					
7	6215 - 339 - 001 - 00	PIECE,DISTANCE	2	*					
8	6215 - 345 - 001 - 00	WASHER	2	*					
9	6215 - 345 - 002 - 00	WASHER	2	*					
10	6215 - 345 - 003 - 00	WASHER	2	*					
11	6215 - 345 - 004 - 00	WASHER	2	*					
12	6215 - 345 - 005 - 00	WASHER	2	*					
13	6215 - 345 - 006 - 00	WASHER	2	*					
14	6215 - 345 - 007 - 00	WASHER	2	*					
15	6215 - 345 - 008 - 00	WASHER	2	*					
16	6215 - 345 - 009 - 00	WASHER	2	*					
17	6215 - 345 - 010 - 00	WASHER	2	*					
18	6215 - 345 - 011 - 00	WASHER	2	*					
19	6215 - 345 - 012 - 00	WASHER	2	*					
20	6215 - 345 - 013 - 00	WASHER	2	*					
21	6215 - 345 - 014 - 00	WASHER	2	*					
22	6215 - 345 - 015 - 00	WASHER	2	*					
23	6215 - 345 - 016 - 00	WASHER	2	*					
24	6215 - 345 - 017 - 00	WASHER	2	*					
25	6215 - 345 - 018 - 00	WASHER	2	*					

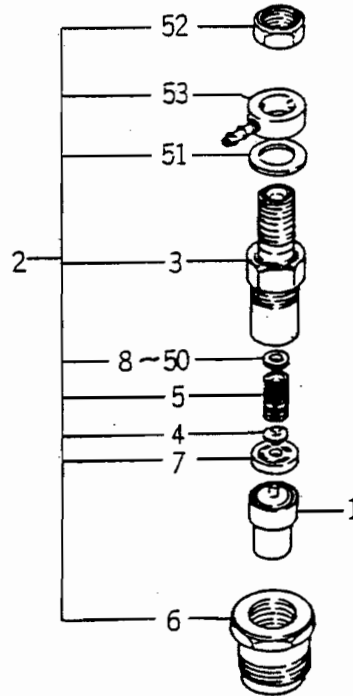
FIG. 24 COMPONENT PARTS FOR 6215 - 300 - 006 - 10 ON Fig.19



6215-3000

KEY	PART CODE	DESCRIPTION	QTY	TYPE OF MODEL		I T C	C O L	G R P	REMARKS
				E3100 B05					
26	6215 - 345 - 019 - 00	WASHER	2	*					
27	6215 - 345 - 020 - 00	WASHER	2	*					
28	6215 - 345 - 021 - 00	WASHER	2	*					
29	6215 - 345 - 022 - 00	WASHER	2	*					
30	6215 - 345 - 023 - 00	WASHER	2	*					
31	6215 - 345 - 024 - 00	WASHER	2	*					
32	6215 - 345 - 025 - 00	WASHER	2	*					
33	6215 - 345 - 026 - 00	WASHER	2	*					
34	6215 - 345 - 027 - 00	WASHER	2	*					
35	6215 - 345 - 028 - 00	WASHER	2	*					
36	6215 - 345 - 029 - 00	WASHER	2	*					
37	6215 - 345 - 030 - 00	WASHER	2	*					
38	6215 - 345 - 031 - 00	WASHER	2	*					
39	6215 - 345 - 032 - 00	WASHER	2	*					
40	6215 - 345 - 033 - 00	WASHER	2	*					
41	6215 - 345 - 034 - 00	WASHER	2	*					
42	6215 - 345 - 035 - 00	WASHER	2	*					
43	6215 - 345 - 036 - 00	WASHER	2	*					
44	6215 - 345 - 037 - 00	WASHER	2	*					
45	6215 - 345 - 038 - 00	WASHER	2	*					
46	6215 - 345 - 039 - 00	WASHER	2	*					
47	6215 - 345 - 040 - 00	WASHER	2	*					
48	6215 - 345 - 041 - 00	WASHER	2	*					
49	6215 - 345 - 042 - 00	WASHER	2	*					
50	6215 - 345 - 043 - 00	WASHER	2	*					

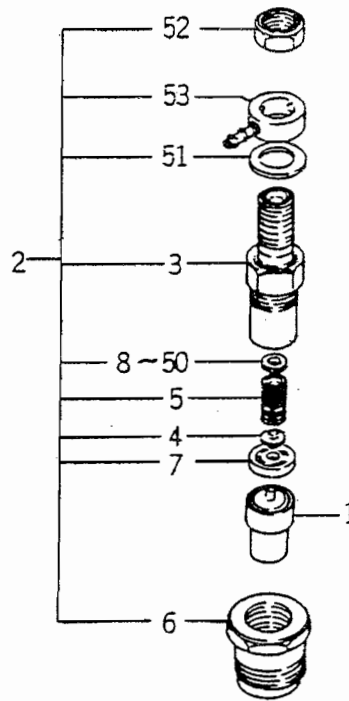
FIG. 25 COMPONENT PARTS FOR 6215 - 300 - 009 - 10 ON Fig.19



6215-3003

KEY	PART CODE	DESCRIPTION	QTY	TYPE OF MODEL		I T C	C O L	G R P	REMARKS
				E3100 B05					
1	6215 - 311 - 019 - 00	NOZZLE ASSY	1	*					
2	6215 - 330 - 003 - 00	HOLDER,NOZZLE	1	*					
3	6215 - 331 - 001 - 00	BODY,NOZZLE HOLDER	1	*					
4	6215 - 342 - 001 - 00	PIN,NOZZLE HOLDER	1	*					
5	6215 - 343 - 001 - 00	WASHER	1	*					
6	6215 - 332 - 004 - 00	NUT/NOZZLERETAINING	1	*					
7	6215 - 339 - 001 - 00	PIECE,DISTANCE	1	*					
8	6215 - 345 - 001 - 00	WASHER	1	*					
9	6215 - 345 - 002 - 00	WASHER	1	*					
10	6215 - 345 - 003 - 00	WASHER	1	*					
11	6215 - 345 - 004 - 00	WASHER	1	*					
12	6215 - 345 - 005 - 00	WASHER	1	*					
13	6215 - 345 - 006 - 00	WASHER	1	*					
14	6215 - 345 - 007 - 00	WASHER	1	*					
15	6215 - 345 - 008 - 00	WASHER	1	*					
16	6215 - 345 - 009 - 00	WASHER	1	*					
17	6215 - 345 - 010 - 00	WASHER	1	*					
18	6215 - 345 - 011 - 00	WASHER	1	*					
19	6215 - 345 - 012 - 00	WASHER	1	*					
20	6215 - 345 - 013 - 00	WASHER	1	*					
21	6215 - 345 - 014 - 00	WASHER	1	*					
22	6215 - 345 - 015 - 00	WASHER	1	*					
23	6215 - 345 - 016 - 00	WASHER	1	*					
24	6215 - 345 - 017 - 00	WASHER	1	*					
25	6215 - 345 - 018 - 00	WASHER	1	*					

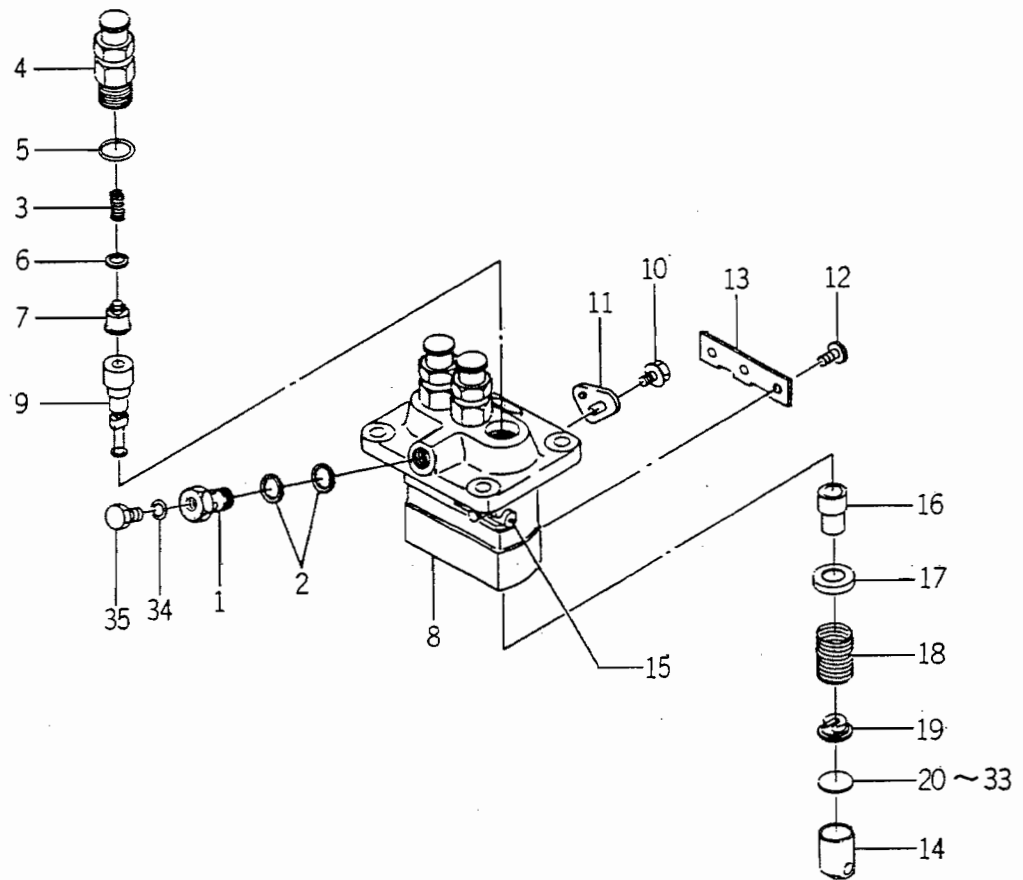
FIG. 25 COMPONENT PARTS FOR 6215 - 300 - 009 - 10 ON Fig.19



6215-3000

KEY	PART CODE	DESCRIPTION	QTY	TYPE OF MODEL		I T C	C O L	G R P	REMARKS
				E3100 B05					
26	6215 - 345 - 019 - 00	WASHER	1	*					
27	6215 - 345 - 020 - 00	WASHER	1	*					
28	6215 - 345 - 021 - 00	WASHER	1	*					
29	6215 - 345 - 022 - 00	WASHER	1	*					
30	6215 - 345 - 023 - 00	WASHER	1	*					
31	6215 - 345 - 024 - 00	WASHER	1	*					
32	6215 - 345 - 025 - 00	WASHER	1	*					
33	6215 - 345 - 026 - 00	WASHER	1	*					
34	6215 - 345 - 027 - 00	WASHER	1	*					
35	6215 - 345 - 028 - 00	WASHER	1	*					
36	6215 - 345 - 029 - 00	WASHER	1	*					
37	6215 - 345 - 030 - 00	WASHER	1	*					
38	6215 - 345 - 031 - 00	WASHER	1	*					
39	6215 - 345 - 032 - 00	WASHER	1	*					
40	6215 - 345 - 033 - 00	WASHER	1	*					
41	6215 - 345 - 034 - 00	WASHER	1	*					
42	6215 - 345 - 035 - 00	WASHER	1	*					
43	6215 - 345 - 036 - 00	WASHER	1	*					
44	6215 - 345 - 037 - 00	WASHER	1	*					
45	6215 - 345 - 038 - 00	WASHER	1	*					
46	6215 - 345 - 039 - 00	WASHER	1	*					
47	6215 - 345 - 040 - 00	WASHER	1	*					
48	6215 - 345 - 041 - 00	WASHER	1	*					
49	6215 - 345 - 042 - 00	WASHER	1	*					
50	6215 - 345 - 043 - 00	WASHER	1	*					

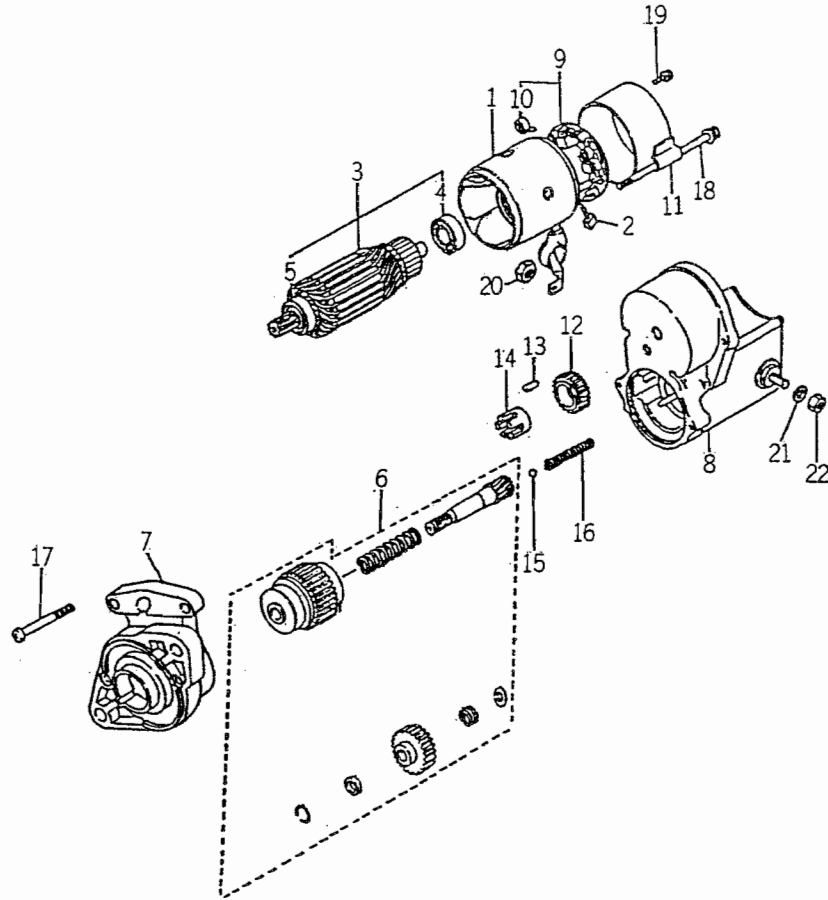
FIG. 26 COMPONENT PARTS FOR 6215 - 600 - 110 - 00 ON Fig.20



6215-6001

KEY	PART CODE	DESCRIPTION	QTY	TYPE OF MODEL		I T C	C O L	G R P	REMARKS
				E3100 B05					
1	6215 - 619 - 027 - 00	SCREW/HOLLOW	1	*					
2	6215 - 619 - 010 - 00	WASHER/AIR BLEEDER	2	*					
3	6215 - 643 - 001 - 00	SPRING/DELIVERYVALVE	3	*					
4	6215 - 644 - 008 - 00	HOLDER/DELIVERY VALV	3	*					
5	6215 - 649 - 001 - 00	ORING	3	*					
6	6215 - 649 - 002 - 00	GASKET/DELIVERYVALVE	3	*					
7	6215 - 641 - 001 - 00	VALVE ASSY	3	*					
8	6215 - 611 - 001 - 00	HOUSING ASSY	1	*					
9	6215 - 631 - 001 - 00	ELEMENT ASSY	3	*					
10	6215 - 619 - 022 - 00	BOLT/WASHERHEAD	2	*					
11	6215 - 612 - 001 - 00	PLATE/ADJUSTING	2	*					
12	6215 - 629 - 001 - 00	PIN/INJECTIONPUMP	3	*					
13	6215 - 629 - 002 - 00	PLATE	1	*					
14	6215 - 622 - 001 - 00	TAPPET/INJECTIO ASSY	3	*					
15	6215 - 637 - 001 - 00	RACK/CONTROL ASSY	1	*					
16	6215 - 635 - 001 - 00	SLEEVE/PLUNGER	3	*					
17	6215 - 639 - 004 - 00	SEAT/SPRING/UPPER	3	*					
18	6215 - 634 - 001 - 00	SPRING/PUMPLUNGER	3	*					
19	6215 - 639 - 005 - 00	SEAT/SPRING/LOWER	3	*					
20	6215 - 629 - 003 - 00	PLATE/TAPPET/ADJUST	1	*					
21	6215 - 629 - 004 - 00	PLATE/TAPPET/ADJUST	1	*					
22	6215 - 629 - 005 - 00	PLATE/TAPPET/ADJUST	1	*					
23	6215 - 629 - 006 - 00	PLATE/TAPPET/ADJUST	1	*					
24	6215 - 629 - 007 - 00	PLATE/TAPPET/ADJUST	1	*					
25	6215 - 629 - 008 - 00	PLATE/TAPPET/ADJUST	1	*					

FIG. 27 COMPONENT PARTS FOR 6281 - 100 - 005 - 00 ON Fig.22



6281-1000

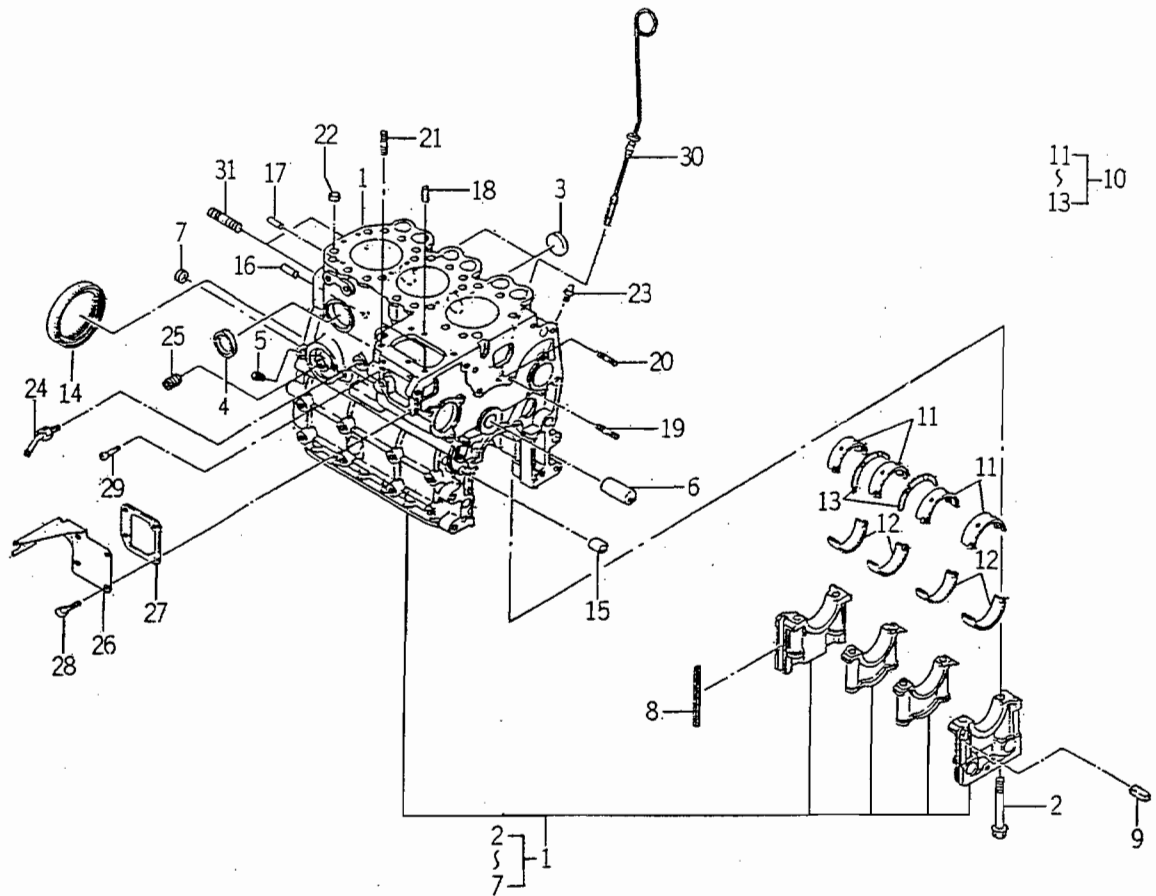
KEY	PART CODE	DESCRIPTION	QTY	TYPE OF MODEL		I T C	C O L	G R P	REMARKS
				E3100	B05				
1	6281 - 111 - 002 - 00	YOKE/STARTER	1	*					
2	6281 - 116 - 002 - 00	STARTER KIT	2	*					
3	6281 - 121 - 003 - 00	ARMATURE	1	*					
4	6281 - 129 - 010 - 00	BEARING,BALL	1	*					
5	6281 - 129 - 011 - 00	BEARING,BALL	1	*					
6	6281 - 124 - 001 - 00	STARTER KIT	1	*					
7	6281 - 129 - 020 - 00	HOUSING,STARTER ASSY	1	*					
8	6281 - 151 - 005 - 00	SWITCH,STARTER ASSY	1	*					
9	6281 - 118 - 002 - 00	HOLDER BRUSH ASSY	1	*					
10	6581 - 117 - 007 - 00	SPRING,BRUSH	4	*					
11	6281 - 115 - 005 - 00	FRAME,STARTER END	1	*					
12	6581 - 123 - 011 - 00	PINION,STARTER	1	*					
13	6581 - 129 - 099 - 00	RORA	5	*					
14	6581 - 129 - 100 - 00	RETAINER	1	*					
15	6581 - 129 - 092 - 00	BALL	1	*					
16	6581 - 129 - 096 - 00	SPRING	1	*					
17	6281 - 129 - 006 - 00	SCREW	2	*					
18	6281 - 129 - 008 - 00	BOLT/WS	2	*					
19	6281 - 129 - 009 - 00	SCREW/WS	2	*					
20	6909 - 111 - 508 - 00	NUT	1	*					
21	6909 - 150 - 508 - 00	WASHER	1	*					
22	6909 - 110 - 408 - 00	NUT/M8	1	*					

ENGINE

E3100-B07...TM217-FE4

ENGINE

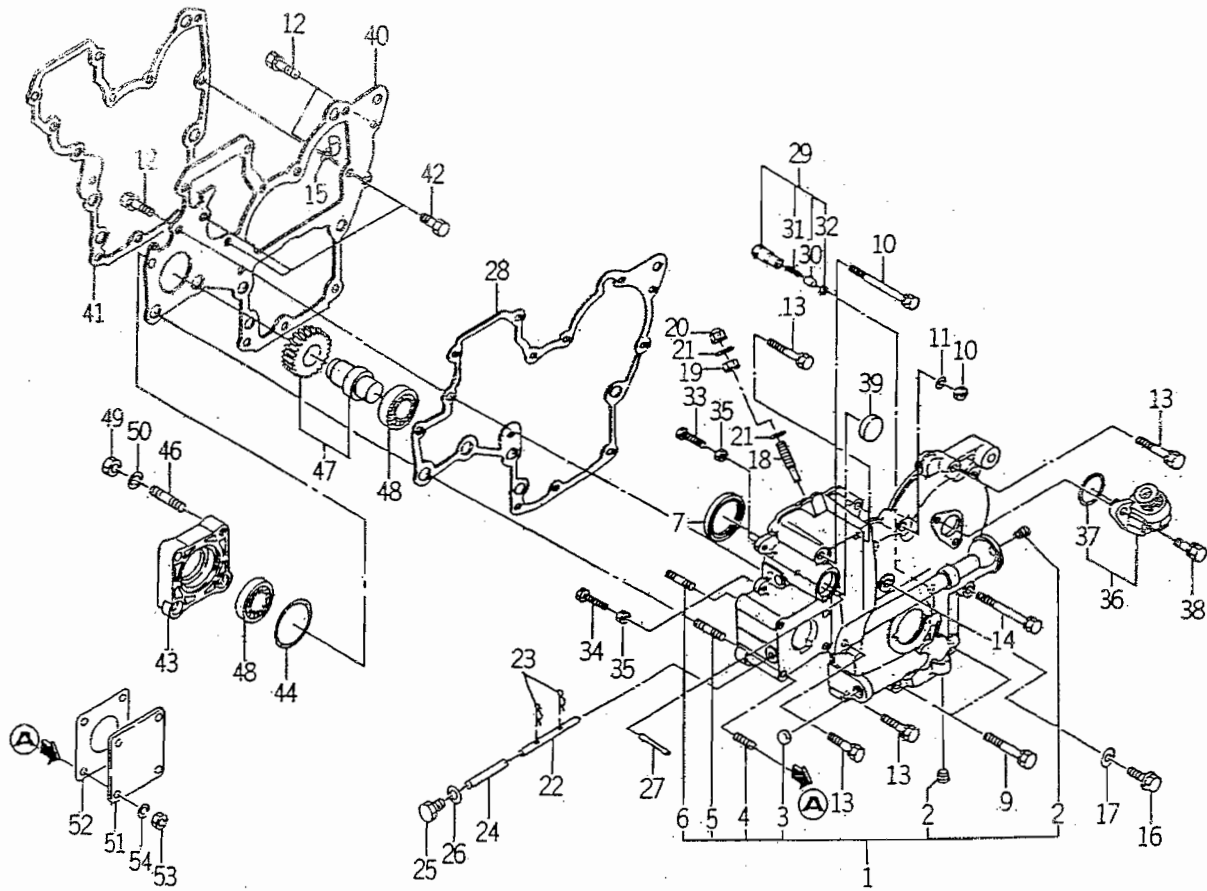
FIG. 5 CYLINDER BLOCK



6004-201P

KEY	PART CODE	DESCRIPTION	QTY	TYPE OF MODEL		I T C	C O L	G R P	REMARKS
				E3100 B07					
1	6211 - 210 - 046 - 00	CYLINDERBLOCK ASSY	1	*					
2	6209 - 000 - 004 - 10	BOLT	8	*					
3	6209 - 610 - 001 - 00	CAP,SEALING	2	*					
4	6911 - 219 - 195 - 00	CAP,SEALING	4	*					
5	6509 - 605 - 019 - 10	PLUG	3	*					
6	6212 - 531 - 005 - 10	PIN/IDLEGEAR	1	*					
7	6911 - 129 - 083 - 00	CAP,SEALING	2	*					
8	6211 - 258 - 001 - 00	SEAL,BEARING CAP	4	*					
9	6211 - 258 - 002 - 00	SEAL,BEARING CAP/7	2	*					
10	6211 - 510 - 001 - 00	METAL,CRANK SET	1	*					
11	6211 - 511 - 003 - 00	BEARING/CRANK/UPPER	4	*					
12	6211 - 511 - 004 - 00	BEARING/CRANK/LOWER	4	*					
13	6211 - 599 - 001 - 10	BEARING,THRUST CRANK	2	*					
14	6209 - 625 - 001 - 00	SEAL,OIL	1	*					
15	6209 - 749 - 001 - 10	PIN,TUBE	2	*					
16	6908 - 160 - 816 - 00	PIN	1	*					
17	6209 - 740 - 004 - 00	PIN	1	*					
18	6209 - 740 - 005 - 00	PIN	2	*					
19	6904 - 110 - 840 - 00	STUD/M8X40	1	*					
20	6904 - 110 - 818 - 00	STUD	1	*					
21	6904 - 110 - 822 - 00	STUD	2	*					
22	6894 - 453 - 344 - 00	DOWEL	2	*					
23	6909 - 902 - 299 - 00	NIPPLE	1	*					
24	6213 - 721 - 007 - 00	PIPE/WATERDRAIN	1	*					
25	6213 - 319 - 001 - 00	CONNECTOR,OIL FILTER	1	*					

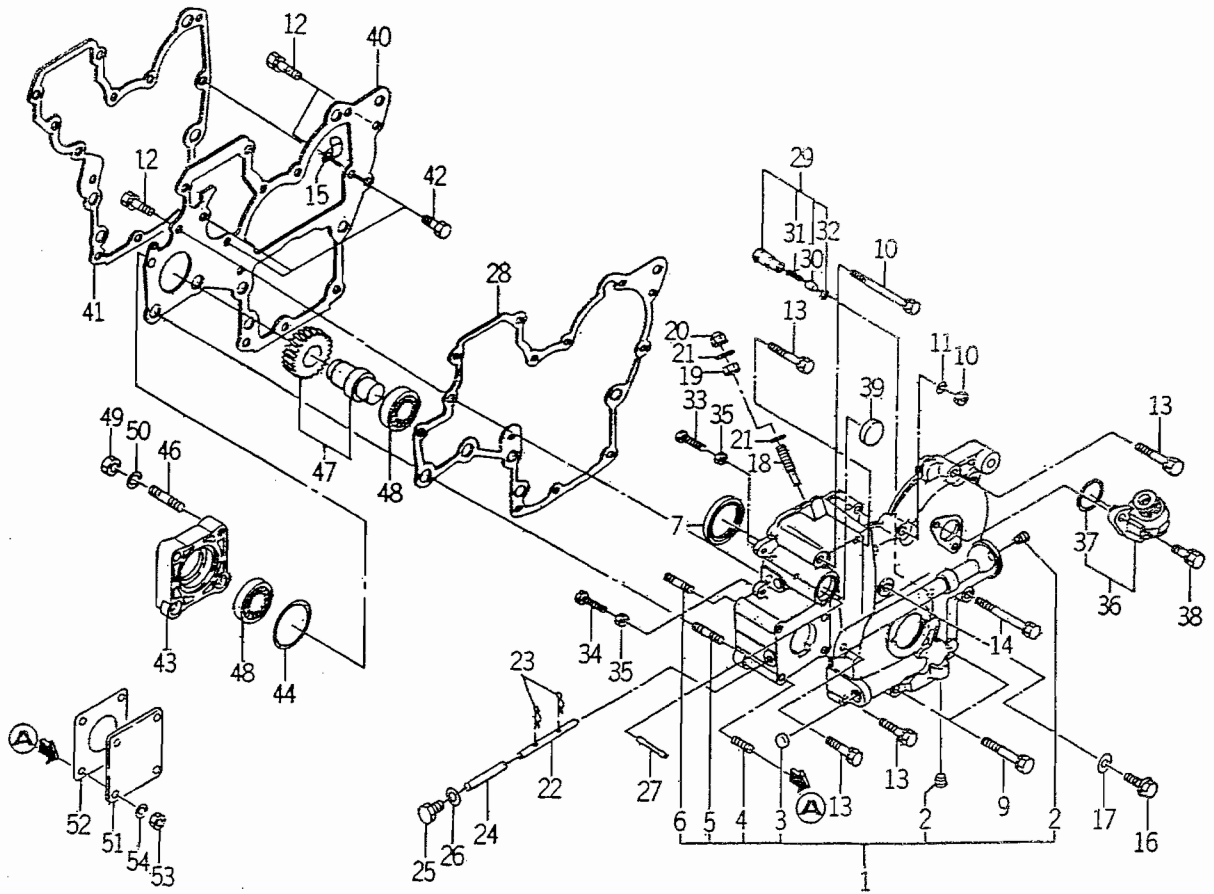
FIG. 9 TIMING GEAR CASE



6004-240D

KEY	PART CODE	DESCRIPTION	QTY	TYPE OF MODEL		I T C	C O L	G R P	REMARKS
				E3100	B07				
1	6211 - 310 - 012 - 10	GEARCASE ASSY	1	*					
2	6509 - 605 - 019 - 10	PLUG	2	*					
3	6209 - 610 - 002 - 10	CUP/SEALING/16	1	*					
4	6904 - 110 - 822 - 00	STUD	4	*					
5	6904 - 110 - 855 - 00	STUD	2	*					
6	6904 - 110 - 850 - 00	STUD	1	*					
7	6209 - 625 - 002 - 00	SEAL,OIL	1	*					
8	6209 - 030 - 005 - 00	BOLT/M8X85	1	*					
9	6509 - 000 - 084 - 00	BOLT/L = 55	2	*					
10	6909 - 110 - 508 - 00	NUT/M8	1	*					
11	6909 - 150 - 508 - 00	WASHER	1	*					
12	V211 - 560 - 802 - 00	BOLT/M8X20	3	*					
13	6901 - 910 - 845 - 00	BOLT,SEMS/M8X45	5	*					
14	6209 - 030 - 006 - 00	BOLT/M8X75	1	*					
15	1425 - 621 - 004 - 00	CLAMP,HARNESS	2	*					
16	6209 - 046 - 001 - 00	BOLT/M8X30	1	*					
17	6209 - 500 - 003 - 00	WASHER/08X14X01	1	*					
18	6215 - 546 - 003 - 00	STOPPER/FULLLOAD	1	*					
19	6209 - 409 - 001 - 00	NUT/M8	1	*					
20	V341 - 120 - 008 - 00	NUT,CAP/M 8	1	*					
21	6909 - 920 - 843 - 00	PACKING	2	*					
22	6215 - 542 - 004 - 20	PIN/ARM	1	*					
23	P117 - 303 - 003 - 00	PIN/SNAP	2	*					
24	6215 - 542 - 005 - 00	PIN	1	*					
25	6909 - 202 - 308 - 00	PLUG	1	*					

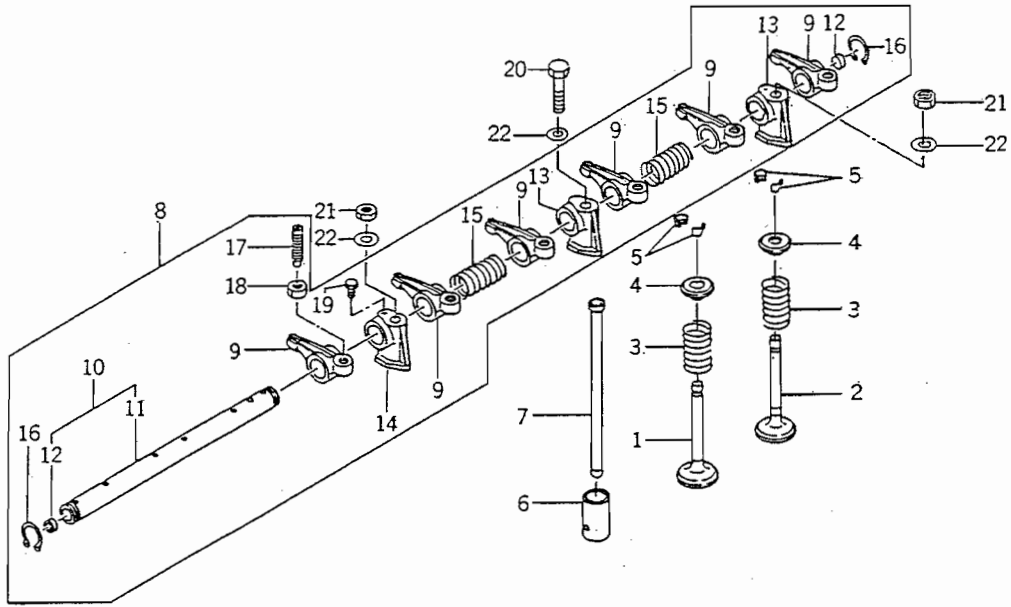
FIG. 9 TIMING GEAR CASE



6004-240D

KEY	PART CODE	DESCRIPTION	QTY	TYPE OF MODEL		I T C	C O L	G R P	REMARKS
				E3100 B07					
26	6909 - 920 - 843 - 00	PACKING	1	*					
27	6209 - 740 - 001 - 00	PIN,GROOVE	1	*					
28	6211 - 312 - 003 - 10	GASKET,GEAR CASE	1	*					
29	6213 - 160 - 002 - 00	VALVE/RELIEF ASSY	1	*					
30	6213 - 161 - 001 - 00	PISTON/RELIEF VALVE	1	*					
31	6213 - 164 - 001 - 00	SPRING/RELIEF VALVE	1	*					
32	V705 - 140 - 012 - 00	RING,SNAP/12 C	1	*					
33	6209 - 050 - 001 - 00	BOLT/M6	1	*					
34	6209 - 050 - 002 - 00	BOLT/M6	1	*					
35	6909 - 110 - 406 - 00	NUT	2	*					
36	6219 - 310 - 003 - 10	DRIVE/TACHOMETE ASSY	1	*					
37	V723 - 102 - 002 - 40	RING/O	1	*					
38	6901 - 910 - 616 - 00	BOLT,SEMS/M6X16	2	*					
39	3625 - 540 - 004 - 00	CAP,BLANK/30	1	*					
40	6211 - 311 - 007 - 20	PLATE,FRONT	1	*					
41	6211 - 312 - 004 - 10	GASKET,PLATEASE	1	*					
42	6902 - 050 - 816 - 00	BOLT	3	*					
43	6211 - 319 - 003 - 00	SPACER	1	*					
44	V723 - 102 - 005 - 00	O - RING 1A S50	1	*					
45	6209 - 749 - 001 - 10	PIN,TUBE	2	*					
46	6904 - 110 - 822 - 00	STUD	1	*					
47	6212 - 530 - 005 - 10	SHAFT/HYDRAULIC ASSY	1	*					
48	V600 - 110 - 600 - 50	BEARING,RB/6005	2	*					
49	6909 - 110 - 408 - 00	NUT/M8	4	*					
50	6909 - 150 - 508 - 00	WASHER	4	*					

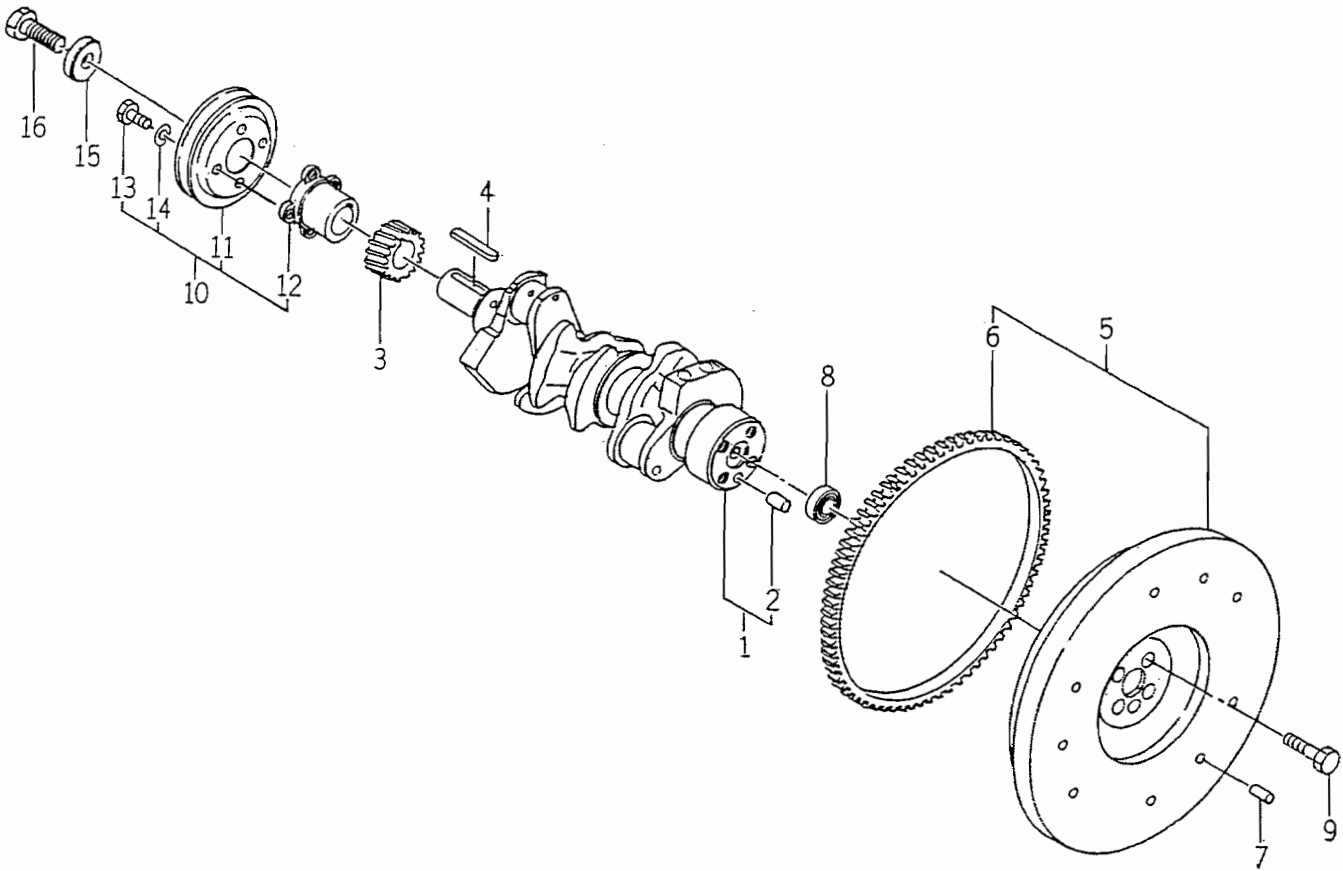
FIG. 11 VALVE



6004-301

KEY	PART CODE	DESCRIPTION	QTY	TYPE OF MODEL		I T C	C O L	G R P	REMARKS
				E3100 B07					
1	6212 - 551 - 001 - 00	VALVE,INTAKE	3	*					
2	6212 - 552 - 001 - 00	VALVE,EXHAUST	3	*					
3	6212 - 561 - 001 - 00	SPRING,VALVE	6	*					
4	6212 - 563 - 001 - 00	SEAT,VALVE SPRING	6	*					
5	6212 - 565 - 001 - 00	CUTTER,VALVE	12	*					
6	6212 - 571 - 001 - 10	TAPPET	6	*					
7	6212 - 575 - 002 - 00	ROD,PUSH	6	*					
8	6212 - 600 - 002 - 00	SHAFT,ROCKER ASSY	1	*					
9	6212 - 611 - 004 - 10	ROCKERARM	6	*					
10	6212 - 620 - 001 - 10	SHAFT,ROCKER ARM ASSY	1	*					
11	6212 - 621 - 002 - 10	SHAFT/ROCKERARM	1	*					
12	6212 - 626 - 002 - 10	PLUG	2	*					
13	6212 - 628 - 004 - 00	BRACKET ROCKER SHAFT	2	*					
14	6212 - 628 - 005 - 00	BRACKET,ROCKER SHAFT	1	*					
15	6209 - 940 - 004 - 00	SPRING	2	*					
16	V704 - 140 - 016 - 00	RING,SNAP/16 C	2	*					
17	6212 - 616 - 002 - 00	SCREW ADJUST	6	*					
18	6209 - 409 - 003 - 00	NUT	6	*					
19	6209 - 000 - 002 - 00	BOLT	1	*					
20	6901 - 050 - 850 - 00	BOLT/M8X45	1	*					
21	6909 - 110 - 508 - 00	NUT/M8	2	*					
22	6909 - 164 - 508 - 00	WASHER,PL/M8	3	*					

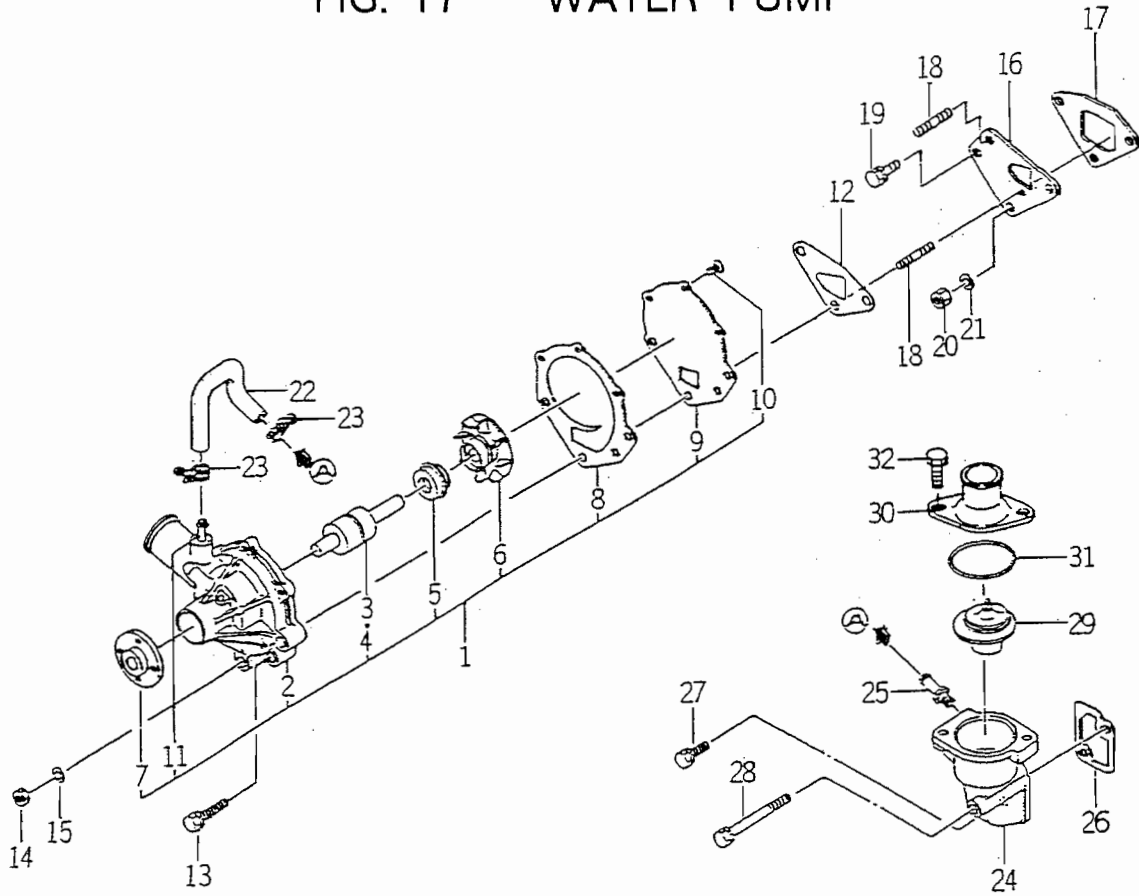
FIG. 15 CRANK SHAFT



6004-3601

KEY	PART CODE	DESCRIPTION	QTY	TYPE OF MODEL		I T C	C O L	G R P	REMARKS
				E3100 B07					
1	6212-310-009-00	SHAFT,CRANK ASSY	1	*					
2	V523-101-001-80	PIN	1	*					
3	6212-521-002-00	GEAR,CRANK SHAFT	1	*					
4	6908-000-750-00	KEY	1	*					
5	6212-330-017-20	FLYWHEEL ASSY	1	*					
6	6212-333-001-00	GEAR,RING	1	*					
7	6908-160-816-00	PIN	3	*					
8	V600-150-600-20	BEARING,RB/6002SS	1	*					
9	6209-000-013-00	BOLT	4	*					
10	6212-370-011-00	PULLEY ASSY	1	*					
11	6212-371-009-00	PULLEY	1	*					
12	6212-372-002-10	CENTER CRANK PULLEY	1	*					
13	6902-050-610-00	BOLT	4	*					
14	6909-150-506-00	WASHER,SP/M6	4	*					
15	6212-379-001-00	WASHER	1	*					
16	6901-066-645-00	BOLT	1	*					

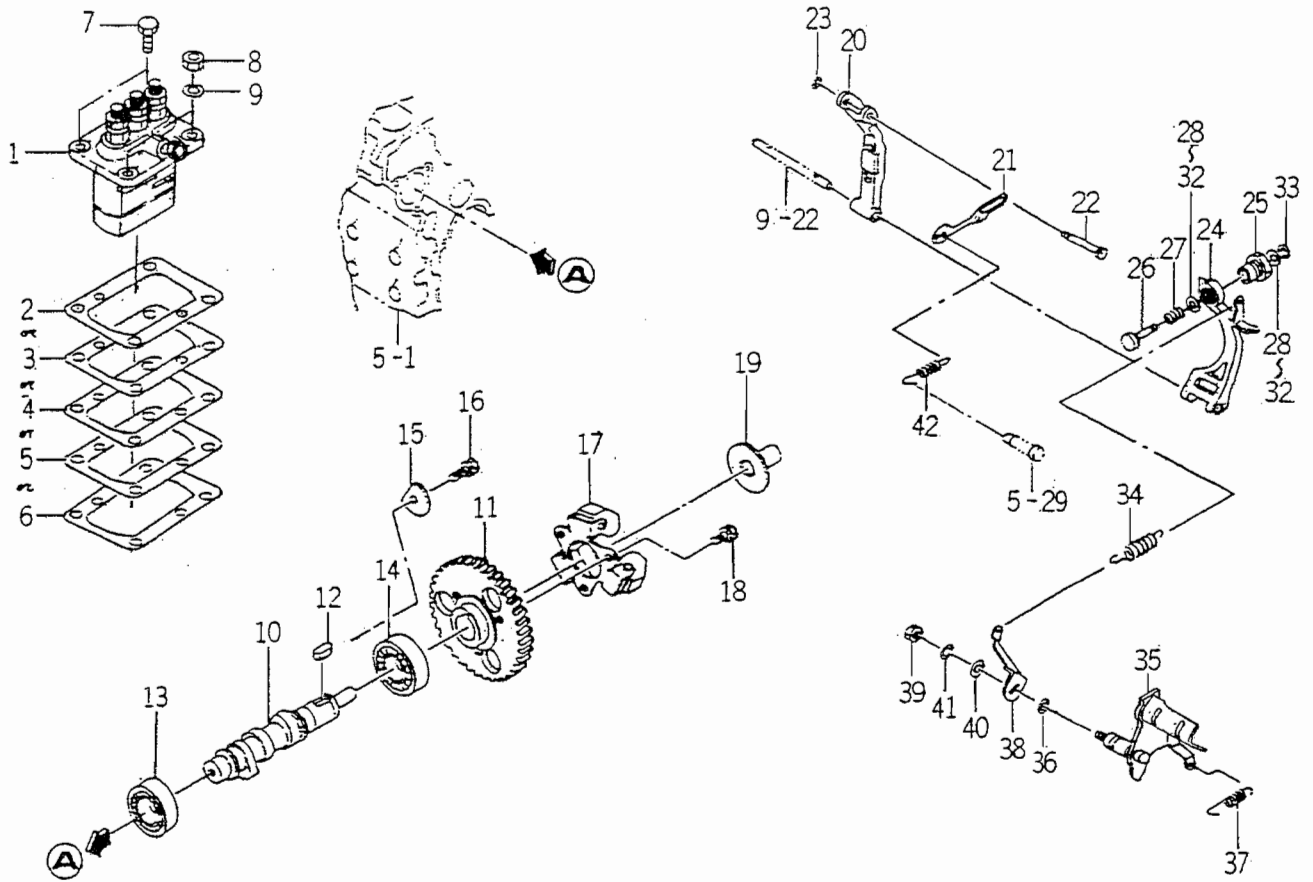
FIG. 17 WATER PUMP



6004-420

KEY	PART CODE	DESCRIPTION	QTY	TYPE OF MODEL		I T C	C O L	G R P	REMARKS
				E3100 B07					
1	6213 - 610 - 005 - 30	WATERPUMP ASSY	1	*					
2	6213 - 611 - 003 - 20	BODY/WATERPUMP	1	*					
3	6213 - 631 - 002 - 00	BEARING/WATER PUMP	1	*					
4	6213 - 631 - 005 - 00	BEARING/WATERPUMP	1	*					
5	6213 - 622 - 002 - 10	SEAL SET/WATER PUMP	1	*					
6	6213 - 621 - 003 - 00	ROTOR/WATERPUMP	1	*					
7	6213 - 642 - 002 - 00	SEAL/WATER PUMPPULLE	1	*					
8	6213 - 613 - 002 - 10	GASKET	1	*					
9	6213 - 612 - 004 - 00	PLATE/WATER PUMP	1	*					
10	6213 - 619 - 003 - 00	SCREW/WATER PUMP	3	*					
11	6213 - 619 - 002 - 00	PIPE/WATER PUMP	1	*					
12	6213 - 614 - 003 - 10	GASKET/WATER PUMP	1	*					
13	6901 - 910 - 845 - 00	BOLT,SEMS/M8X45	1	*					
14	6909 - 110 - 508 - 00	NUT/M8	2	*					
15	6909 - 150 - 508 - 00	WASHER	2	*					
16	6213 - 619 - 001 - 00	SPACER,PUMP.WATER	1	*					
17	6213 - 614 - 004 - 10	GASKET,SPACER	1	*					
18	6904 - 110 - 840 - 00	STUD/M8X40	2	*					
19	V211 - 560 - 802 - 00	BOLT/M8X20	1	*					
20	6909 - 110 - 508 - 00	NUT/M8	1	*					
21	6909 - 150 - 508 - 00	WASHER	1	*					
22	6213 - 729 - 013 - 00	HOSE/RUBBER	1	*					
23	J061 - 210 - 015 - 00	CLAMP/WIRE/10 - 15	2	*					
24	6213 - 716 - 001 - 40	HOUSING/THERMOSTAT	1	*					
25	6213 - 721 - 003 - 00	PIPE,PUMP HOUSING	1	*					

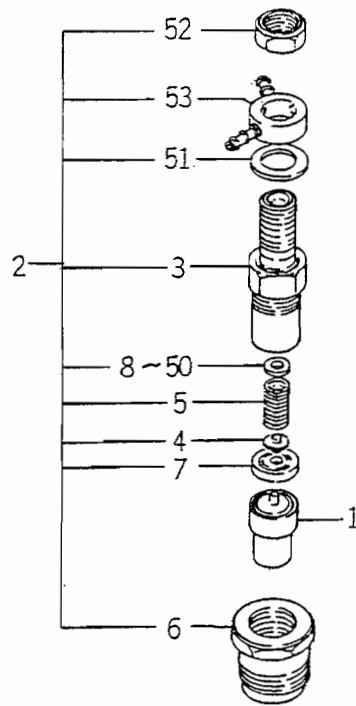
FIG. 20 INJECTION PUMP



6004-510J

KEY	PART CODE	DESCRIPTION	QTY	TYPE OF MODEL		I T C	C O L	G R P	REMARKS
				E3100 B07					
1	6215 - 600 - 110 - 00	INJECTIONPUMP ASSY	1	*					FIG 026
2	6219 - 752 - 006 - 00	SHIM/PUMP,INJ	1	*					
3	6219 - 752 - 007 - 00	SHIM/PUMP,INJ	1	*					
4	6219 - 752 - 008 - 00	SHIM/PUMP,INJ	1	*					
5	6219 - 752 - 009 - 00	SHIM/PUMP,INJ	1	*					
6	6219 - 752 - 010 - 00	SHIM/PUMP,INJ	1	*					
7	V201 - 360 - 802 - 00	BOLT/M8X20	2	*					
8	6909 - 110 - 508 - 00	NUT/M8	2	*					
9	6909 - 150 - 508 - 00	WASHER	2	*					
10	6215 - 621 - 002 - 30	SHAFT,CAM/INJ.PUMP	1	*					
11	6212 - 524 - 002 - 00	GEAR,INJ PUMP	1	*					
12	6908 - 000 - 716 - 00	KEY	1	*					
13	V600 - 110 - 620 - 30	BEARING,RB/6203	1	*					
14	V600 - 110 - 600 - 40	BEARING,RB/6004	1	*					
15	6212 - 535 - 002 - 00	PLATE,THRUST INJPUMP	1	*					
16	6901 - 910 - 612 - 00	BOLT,SEMS/M6X12	1	*					
17	6215 - 520 - 001 - 00	FLYWEIGHT	1	*					
18	6209 - 030 - 043 - 00	BOLT/M6X10	3	*					
19	6215 - 526 - 001 - 10	PIECE,THRUST	1	*					
20	6215 - 541 - 001 - 00	ARM,FLOATING	1	*					
21	6215 - 543 - 002 - 10	RINK/CONTROL	1	*					
22	6215 - 542 - 006 - 00	PIN,CONTROL	1	*					
23	V710 - 140 - 004 - 00	RING,SNAP/ 4 E	1	*					
24	6215 - 541 - 016 - 30	ARM/TENSION	1	*					
25	6215 - 549 - 028 - 00	CASE/ADAPTER	1	*					

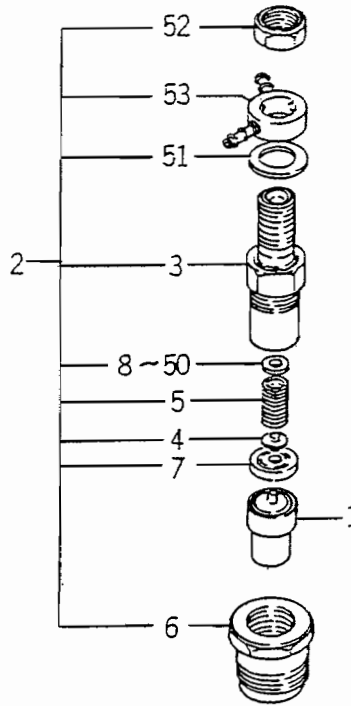
FIG. 24 COMPONENT PARTS FOR 6215 - 300 - 006 - 10 ON Fig.19



6215-3000

KEY	PART CODE	DESCRIPTION	QTY	TYPE OF MODEL		I T C	C O L	G R P	REMARKS
				E3100 B07					
1	6215 - 311 - 019 - 00	NOZZLE ASSY	2	*					
2	6215 - 330 - 004 - 00	HOLDER,NOZZLE ASSY	2	*					
3	6215 - 331 - 002 - 00	BODY,NOZZLE HOLDER	2	*					
4	6215 - 342 - 001 - 00	PIN,NOZZLE HOLDER	2	*					
5	6215 - 343 - 001 - 00	WASHER	2	*					
6	6215 - 332 - 004 - 00	NUT/NOZZLERETAINING	2	*					
7	6215 - 339 - 001 - 00	PIECE,DISTANCE	2	*					
8	6215 - 345 - 001 - 00	WASHER	2	*					
9	6215 - 345 - 002 - 00	WASHER	2	*					
10	6215 - 345 - 003 - 00	WASHER	2	*					
11	6215 - 345 - 004 - 00	WASHER	2	*					
12	6215 - 345 - 005 - 00	WASHER	2	*					
13	6215 - 345 - 006 - 00	WASHER	2	*					
14	6215 - 345 - 007 - 00	WASHER	2	*					
15	6215 - 345 - 008 - 00	WASHER	2	*					
16	6215 - 345 - 009 - 00	WASHER	2	*					
17	6215 - 345 - 010 - 00	WASHER	2	*					
18	6215 - 345 - 011 - 00	WASHER	2	*					
19	6215 - 345 - 012 - 00	WASHER	2	*					
20	6215 - 345 - 013 - 00	WASHER	2	*					
21	6215 - 345 - 014 - 00	WASHER	2	*					
22	6215 - 345 - 015 - 00	WASHER	2	*					
23	6215 - 345 - 016 - 00	WASHER	2	*					
24	6215 - 345 - 017 - 00	WASHER	2	*					
25	6215 - 345 - 018 - 00	WASHER	2	*					

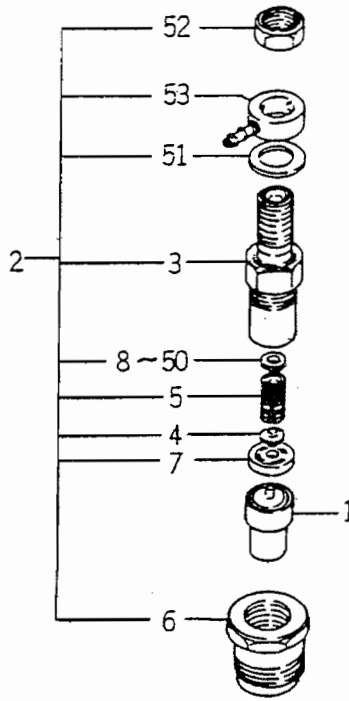
FIG. 24 COMPONENT PARTS FOR 6215 - 300 - 006 - 10 ON Fig.19



6215-3000

KEY	PART CODE	DESCRIPTION	QTY	TYPE OF MODEL		I T C	C O L	G R P	REMARKS
				E3100 B07					
26	6215 - 345 - 019 - 00	WASHER	2	*					
27	6215 - 345 - 020 - 00	WASHER	2	*					
28	6215 - 345 - 021 - 00	WASHER	2	*					
29	6215 - 345 - 022 - 00	WASHER	2	*					
30	6215 - 345 - 023 - 00	WASHER	2	*					
31	6215 - 345 - 024 - 00	WASHER	2	*					
32	6215 - 345 - 025 - 00	WASHER	2	*					
33	6215 - 345 - 026 - 00	WASHER	2	*					
34	6215 - 345 - 027 - 00	WASHER	2	*					
35	6215 - 345 - 028 - 00	WASHER	2	*					
36	6215 - 345 - 029 - 00	WASHER	2	*					
37	6215 - 345 - 030 - 00	WASHER	2	*					
38	6215 - 345 - 031 - 00	WASHER	2	*					
39	6215 - 345 - 032 - 00	WASHER	2	*					
40	6215 - 345 - 033 - 00	WASHER	2	*					
41	6215 - 345 - 034 - 00	WASHER	2	*					
42	6215 - 345 - 035 - 00	WASHER	2	*					
43	6215 - 345 - 036 - 00	WASHER	2	*					
44	6215 - 345 - 037 - 00	WASHER	2	*					
45	6215 - 345 - 038 - 00	WASHER	2	*					
46	6215 - 345 - 039 - 00	WASHER	2	*					
47	6215 - 345 - 040 - 00	WASHER	2	*					
48	6215 - 345 - 041 - 00	WASHER	2	*					
49	6215 - 345 - 042 - 00	WASHER	2	*					
50	6215 - 345 - 043 - 00	WASHER	2	*					

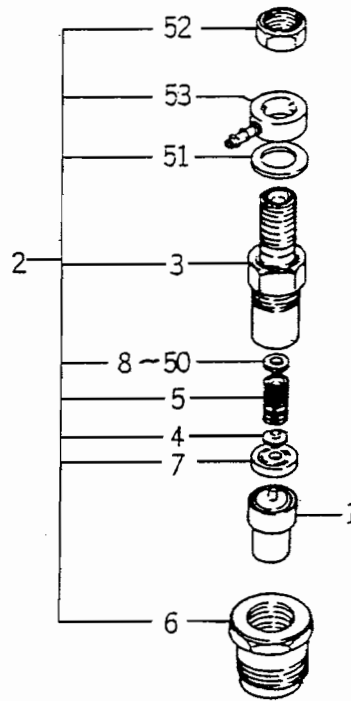
FIG. 25 COMPONENT PARTS FOR 6215 - 300 - 009 - 10 ON Fig.19



6215-3000

KEY	PART CODE	DESCRIPTION	QTY	TYPE OF MODEL		I T C	C O L	G R P	REMARKS
				E3100 B07					
1	6215 - 311 - 019 - 00	NOZZLE ASSY	1	*					
2	6215 - 330 - 003 - 00	HOLDER,NOZZLE	1	*					
3	6215 - 331 - 001 - 00	BODY,NOZZLE HOLDER	1	*					
4	6215 - 342 - 001 - 00	PIN,NOZZLE HOLDER	1	*					
5	6215 - 343 - 001 - 00	WASHER	1	*					
6	6215 - 332 - 004 - 00	NUT/NOZZLERETAINING	1	*					
7	6215 - 339 - 001 - 00	PIECE,DISTANCE	1	*					
8	6215 - 345 - 001 - 00	WASHER	1	*					
9	6215 - 345 - 002 - 00	WASHER	1	*					
10	6215 - 345 - 003 - 00	WASHER	1	*					
11	6215 - 345 - 004 - 00	WASHER	1	*					
12	6215 - 345 - 005 - 00	WASHER	1	*					
13	6215 - 345 - 006 - 00	WASHER	1	*					
14	6215 - 345 - 007 - 00	WASHER	1	*					
15	6215 - 345 - 008 - 00	WASHER	1	*					
16	6215 - 345 - 009 - 00	WASHER	1	*					
17	6215 - 345 - 010 - 00	WASHER	1	*					
18	6215 - 345 - 011 - 00	WASHER	1	*					
19	6215 - 345 - 012 - 00	WASHER	1	*					
20	6215 - 345 - 013 - 00	WASHER	1	*					
21	6215 - 345 - 014 - 00	WASHER	1	*					
22	6215 - 345 - 015 - 00	WASHER	1	*					
23	6215 - 345 - 016 - 00	WASHER	1	*					
24	6215 - 345 - 017 - 00	WASHER	1	*					
25	6215 - 345 - 018 - 00	WASHER	1	*					

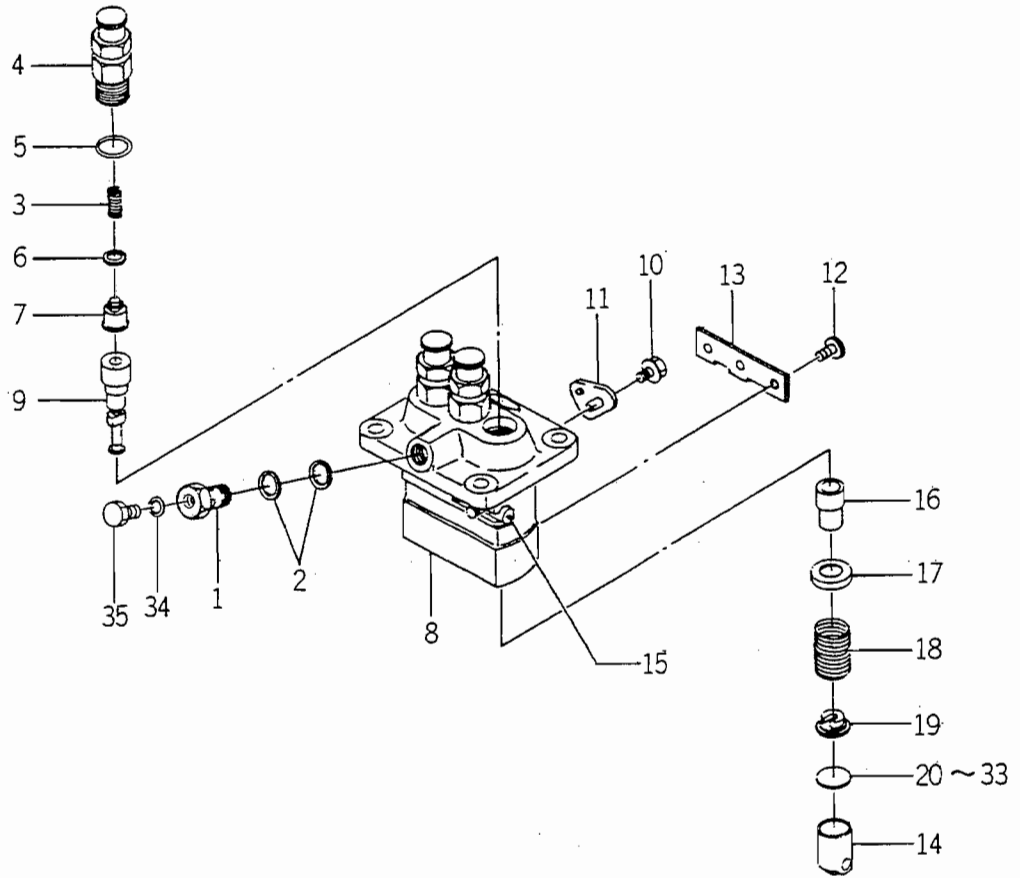
FIG. 25 COMPONENT PARTS FOR 6215 - 300 - 009 - 10 ON Fig.19



6215-3000

KEY	PART CODE	DESCRIPTION	QTY	TYPE OF MODEL		I T C	C O L	G R P	REMARKS
				E3100 B07					
26	6215 - 345 - 019 - 00	WASHER	1	*					
27	6215 - 345 - 020 - 00	WASHER	1	*					
28	6215 - 345 - 021 - 00	WASHER	1	*					
29	6215 - 345 - 022 - 00	WASHER	1	*					
30	6215 - 345 - 023 - 00	WASHER	1	*					
31	6215 - 345 - 024 - 00	WASHER	1	*					
32	6215 - 345 - 025 - 00	WASHER	1	*					
33	6215 - 345 - 026 - 00	WASHER	1	*					
34	6215 - 345 - 027 - 00	WASHER	1	*					
35	6215 - 345 - 028 - 00	WASHER	1	*					
36	6215 - 345 - 029 - 00	WASHER	1	*					
37	6215 - 345 - 030 - 00	WASHER	1	*					
38	6215 - 345 - 031 - 00	WASHER	1	*					
39	6215 - 345 - 032 - 00	WASHER	1	*					
40	6215 - 345 - 033 - 00	WASHER	1	*					
41	6215 - 345 - 034 - 00	WASHER	1	*					
42	6215 - 345 - 035 - 00	WASHER	1	*					
43	6215 - 345 - 036 - 00	WASHER	1	*					
44	6215 - 345 - 037 - 00	WASHER	1	*					
45	6215 - 345 - 038 - 00	WASHER	1	*					
46	6215 - 345 - 039 - 00	WASHER	1	*					
47	6215 - 345 - 040 - 00	WASHER	1	*					
48	6215 - 345 - 041 - 00	WASHER	1	*					
49	6215 - 345 - 042 - 00	WASHER	1	*					
50	6215 - 345 - 043 - 00	WASHER	1	*					

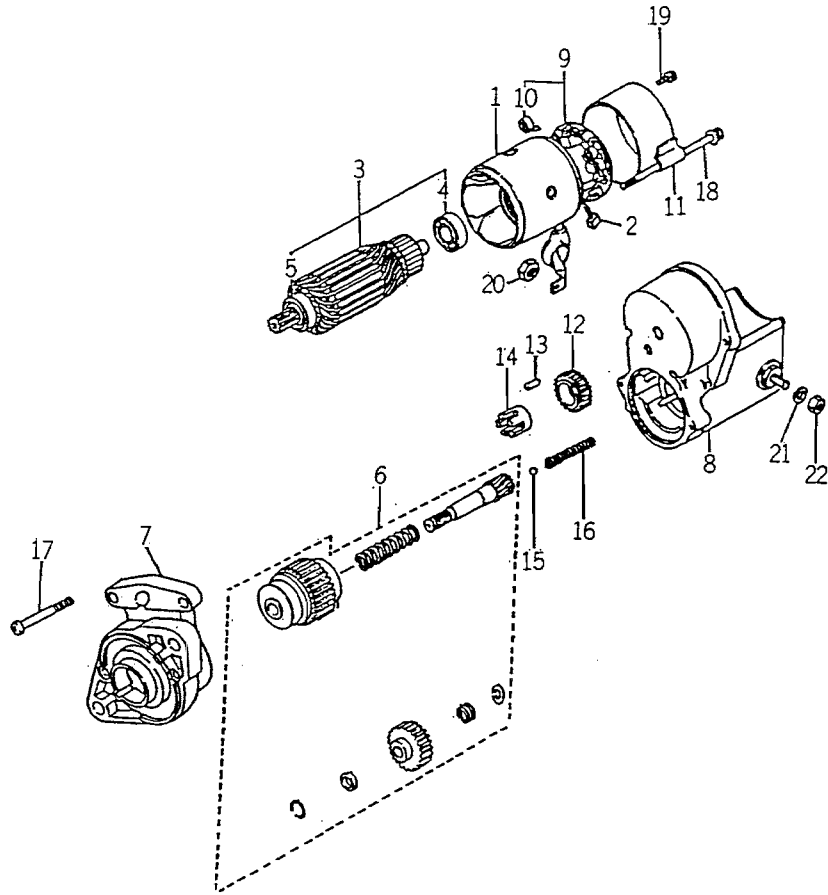
FIG. 26 COMPONENT PARTS FOR 6215 - 600 - 110 - 00 ON Fig.20



6215-6001

KEY	PART CODE	DESCRIPTION	QTY	TYPE OF MODEL		I T C	C O L	G R P	REMARKS
				E3100 B07					
1	6215 - 619 - 027 - 00	SCREW/HOLLOW	1	*					
2	6215 - 619 - 010 - 00	WASHER/AIR BLEEDER	2	*					
3	6215 - 643 - 001 - 00	SPRING/DELIVERYVALVE	3	*					
4	6215 - 644 - 008 - 00	HOLDER/DELIVERY VALV	3	*					
5	6215 - 649 - 001 - 00	ORING	3	*					
6	6215 - 649 - 002 - 00	GASKET/DELIVERYVALVE	3	*					
7	6215 - 641 - 001 - 00	VALVE ASSY	3	*					
8	6215 - 611 - 001 - 00	HOUSING ASSY	1	*					
9	6215 - 631 - 001 - 00	ELEMENT ASSY	3	*					
10	6215 - 619 - 022 - 00	BOLT/WASHERHEAD	2	*					
11	6215 - 612 - 001 - 00	PLATE/ADJUSTING	2	*					
12	6215 - 629 - 001 - 00	PIN/INJECTIONPUMP	3	*					
13	6215 - 629 - 002 - 00	PLATE	1	*					
14	6215 - 622 - 001 - 00	TAPPET/INJECTIO ASSY	3	*					
15	6215 - 637 - 001 - 00	RACK/CONTROL ASSY	1	*					
16	6215 - 635 - 001 - 00	SLEEVE/PLUNGER	3	*					
17	6215 - 639 - 004 - 00	SEAT/SPRING/UPPER	3	*					
18	6215 - 634 - 001 - 00	SPRING/PUMPPUNGER	3	*					
19	6215 - 639 - 005 - 00	SEAT/SPRING/LOWER	3	*					
20	6215 - 629 - 003 - 00	PLATE/TAPPET/ADJUST	1	*					
21	6215 - 629 - 004 - 00	PLATE/TAPPET/ADJUST	1	*					
22	6215 - 629 - 005 - 00	PLATE/TAPPET/ADJUST	1	*					
23	6215 - 629 - 006 - 00	PLATE/TAPPET/ADJUST	1	*					
24	6215 - 629 - 007 - 00	PLATE/TAPPET/ADJUST	1	*					
25	6215 - 629 - 008 - 00	PLATE/TAPPET/ADJUST	1	*					

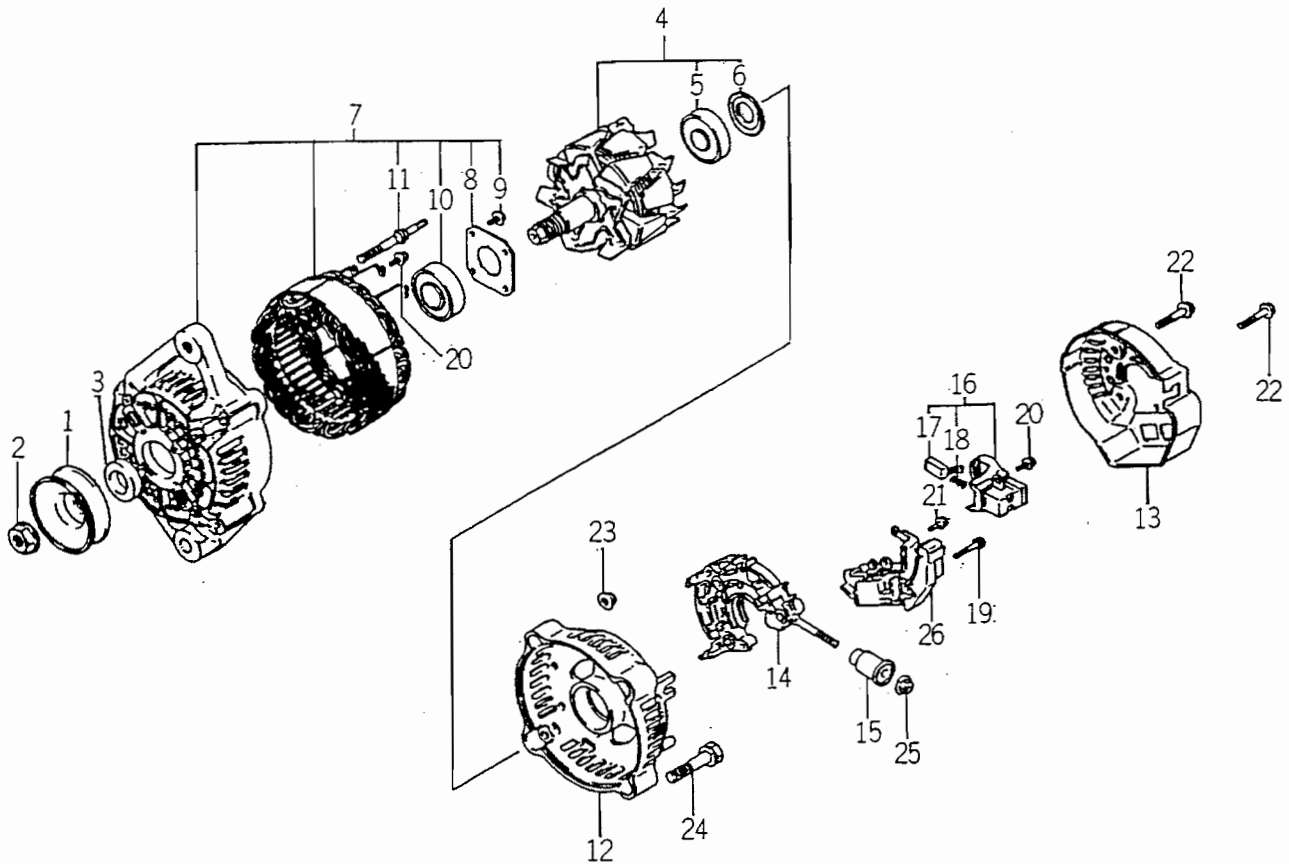
FIG. 27 COMPONENT PARTS FOR 6281 - 100 - 005 - 00 ON Fig.22



6281-1000

KEY	PART CODE	DESCRIPTION	QTY	TYPE OF MODEL		I T C	C O L	G R P	REMARKS
				E3100 B07					
1	6281 - 111 - 002 - 00	YOKE/STARTER	1	*					
2	6281 - 116 - 002 - 00	STARTER KIT	2	*					
3	6281 - 121 - 003 - 00	ARMATURE	1	*					
4	6281 - 129 - 010 - 00	BEARING,BALL	1	*					
5	6281 - 129 - 011 - 00	BEARING,BALL	1	*					
6	6281 - 124 - 001 - 00	STARTER KIT	1	*					
7	6281 - 129 - 020 - 00	HOUSING,STARTER ASSY	1	*					
8	6281 - 151 - 005 - 00	SWITCH,STARTER ASSY	1	*					
9	6281 - 118 - 002 - 00	HOLDER BRUSH ASSY	1	*					
10	6581 - 117 - 007 - 00	SPRING,BRUSH	4	*					
11	6281 - 115 - 005 - 00	FRAME,STARTER END	1	*					
12	6581 - 123 - 011 - 00	PINION,STARTER	1	*					
13	6581 - 129 - 099 - 00	RORA	5	*					
14	6581 - 129 - 100 - 00	RETAINER	1	*					
15	6581 - 129 - 092 - 00	BALL	1	*					
16	6581 - 129 - 096 - 00	SPRING	1	*					
17	6281 - 129 - 006 - 00	SCREW	2	*					
18	6281 - 129 - 008 - 00	BOLT/WS	2	*					
19	6281 - 129 - 009 - 00	SCREW/WS	2	*					
20	6909 - 111 - 508 - 00	NUT	1	*					
21	6909 - 150 - 508 - 00	WASHER	1	*					
22	6909 - 110 - 408 - 00	NUT/M8	1	*					

FIG. 28 COMPONENT PARTS FOR 6281 - 200 - 005 - 00 ON Fig.22

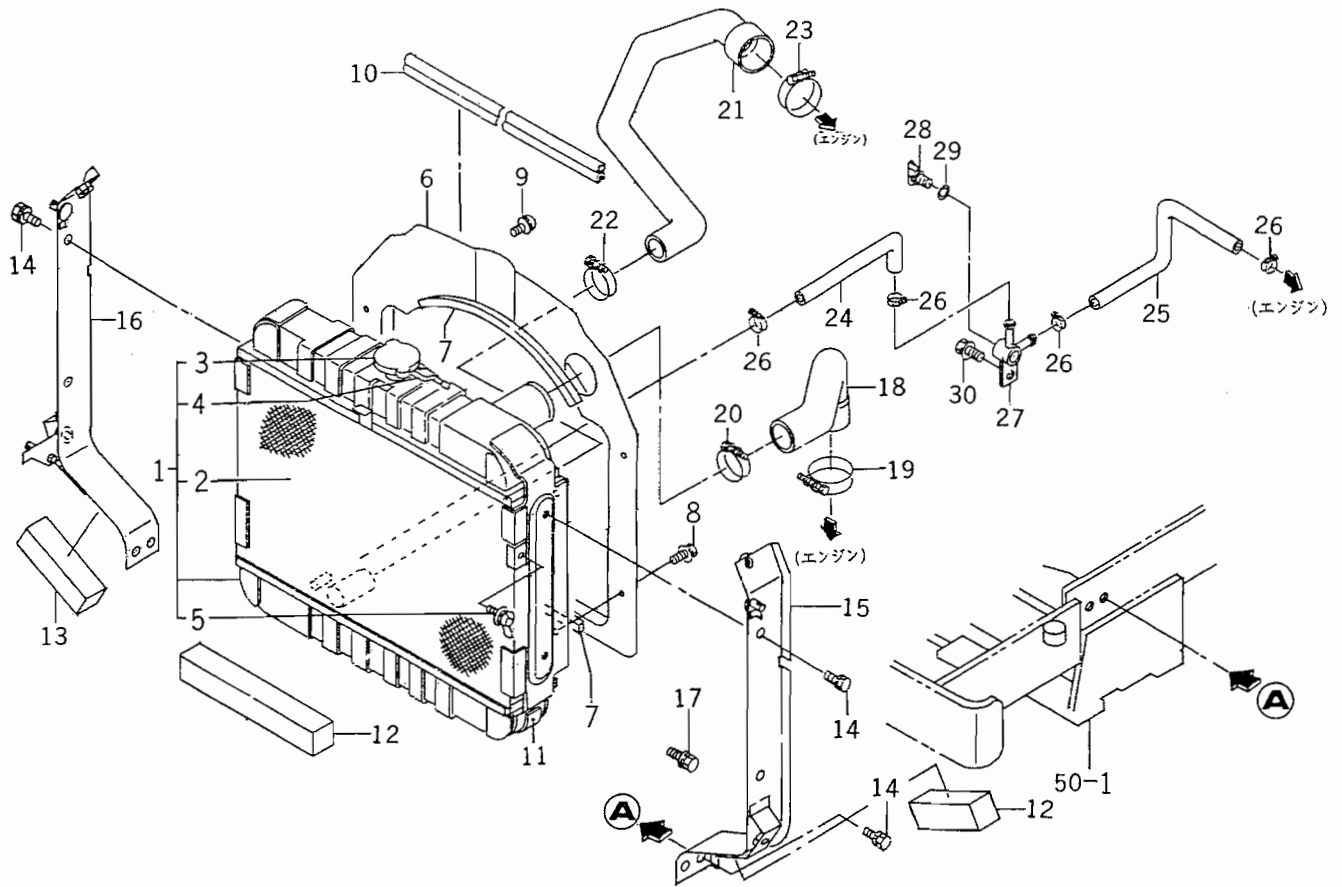


6281-2000

KEY	PART CODE	DESCRIPTION	QTY	TYPE OF MODEL		I T C	C O L	G R P	REMARKS
				E3100 B07					
1	6281 - 222 - 004 - 00	PULLEY	1	*					
2	6281 - 229 - 002 - 00	NUT	1	*					
3	6281 - 229 - 003 - 00	COLLOR	1	*					
4	6281 - 221 - 001 - 00	ROTOR ASSY	1	*					
5	6281 - 229 - 005 - 00	BEARING	1	*					
6	6281 - 229 - 004 - 00	COVER,BEARING	1	*					
7	6281 - 213 - 006 - 00	FRAME ASSY	1	*					
8	6281 - 229 - 006 - 00	PLATE	1	*					
9	6281 - 229 - 007 - 00	BOLT	4	*					
10	6281 - 229 - 009 - 00	BEARING	1	*					
11	6281 - 229 - 008 - 00	BOLT	2	*					
12	6281 - 214 - 003 - 00	FRAME	1	*					
13	6281 - 214 - 004 - 00	COVER	1	*					
14	6281 - 229 - 029 - 00	HOLDER ASSY	1	*					
15	6281 - 229 - 011 - 00	BUSH	1	*					
16	6281 - 217 - 001 - 00	HOLDER,BRUSH ASSY	1	*					
17	6281 - 215 - 001 - 00	BRUSH	2	*					
18	6281 - 216 - 001 - 00	SPRING	2	*					
19	6281 - 229 - 012 - 00	BOLT	2	*					
20	6281 - 229 - 013 - 00	BOLT	6	*					
21	6281 - 229 - 014 - 00	BOLT	1	*					
22	6281 - 229 - 015 - 00	BOLT	3	*					
23	6281 - 229 - 016 - 00	NUT	2	*					
24	6281 - 229 - 017 - 00	BOLT	2	*					
25	6281 - 229 - 018 - 00	NUT	1	*					

CHASSIS

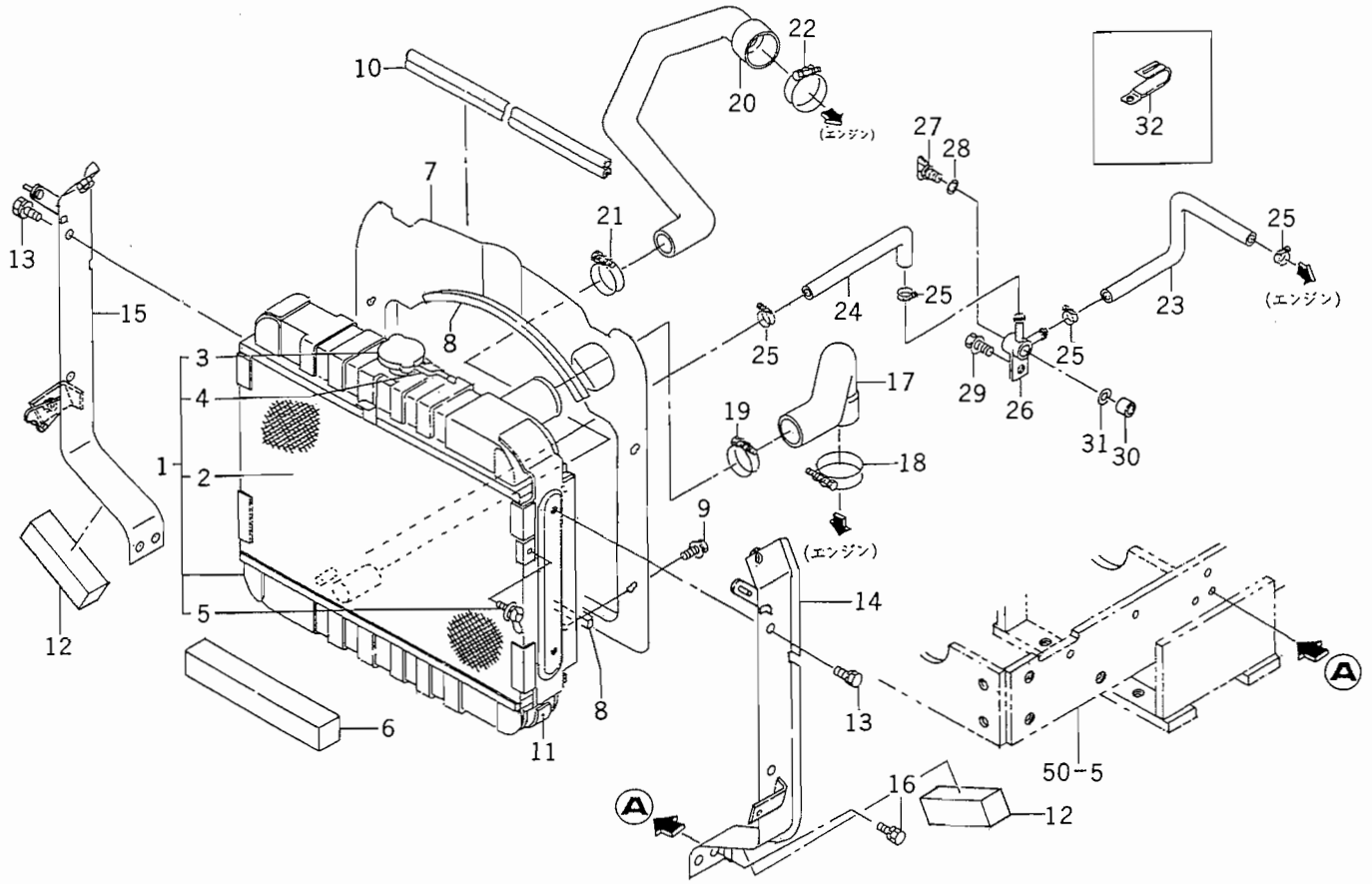
FIG. 1 RADIATOR SYSTEM (FE1)



1672-102

KEY	PART CODE	DESCRIPTION	QTY	TYPE OF MODEL		I T C	C O L	G R P	REMARKS
				TM215	TM217				
1	1675 - 102 - 200 - 00	RADIATOR ASSY	1		*				
2	1637 - 102 - 202 - 00	NET/WIRE COMP	1		*				
3	1614 - 102 - 213 - 00	CAP	1		*				
4	1614 - 102 - 214 - 00	HOSE	1		*				
5	V273 - 360 - 601 - 20	BOLT/WING/SP	1		*				
6	1672 - 102 - 240 - 00	SHROUD COMP	1		*				
7	1675 - 102 - 002 - 00	INSULATOR	2		*				
8	V210 - 360 - 601 - 20	BOLT,SEMS	3		*				
9	V120 - 366 - 001 - 20	SCREW	1		*				
10	1612 - 111 - 001 - 00	INSULATOR	1		*				
11	1612 - 102 - 005 - 00	INSULATOR	1		*				
12	1672 - 102 - 003 - 00	INSULATOR	1		*				
13	1672 - 102 - 004 - 00	INSULATOR	2		*				
14	V211 - 260 - 801 - 60	BOLT,SEMS (S) M8X16	8		*				
15	1672 - 102 - 220 - 00	PLATE/LH COMP	1		*				
16	1672 - 102 - 230 - 20	PLATE/RH COMP	1		*				
17	V211 - 360 - 801 - 60	BOLT,SEMS (SP)	1		*				
18	1672 - 102 - 001 - 00	HOSE/RADIATOR/INLET	1		*				
19	J061 - 236 - 044 - 00	CLAMP/WIRE/36 - 44	1		*				
20	J061 - 230 - 038 - 00	CLAMP/WIRE/30 - 38	1		*				
21	1612 - 102 - 003 - 00	HOSE/RADIATOR/OUTLET	1		*				
22	J061 - 224 - 032 - 00	CLAMP/WIRE/24 - 32	1		*				
23	J061 - 236 - 044 - 00	CLAMP/WIRE/36 - 44	1		*				
24	1614 - 102 - 003 - 00	HOSE/205	1		*				
25	1560 - 104 - 006 - 60	HOSE/290	1		*				

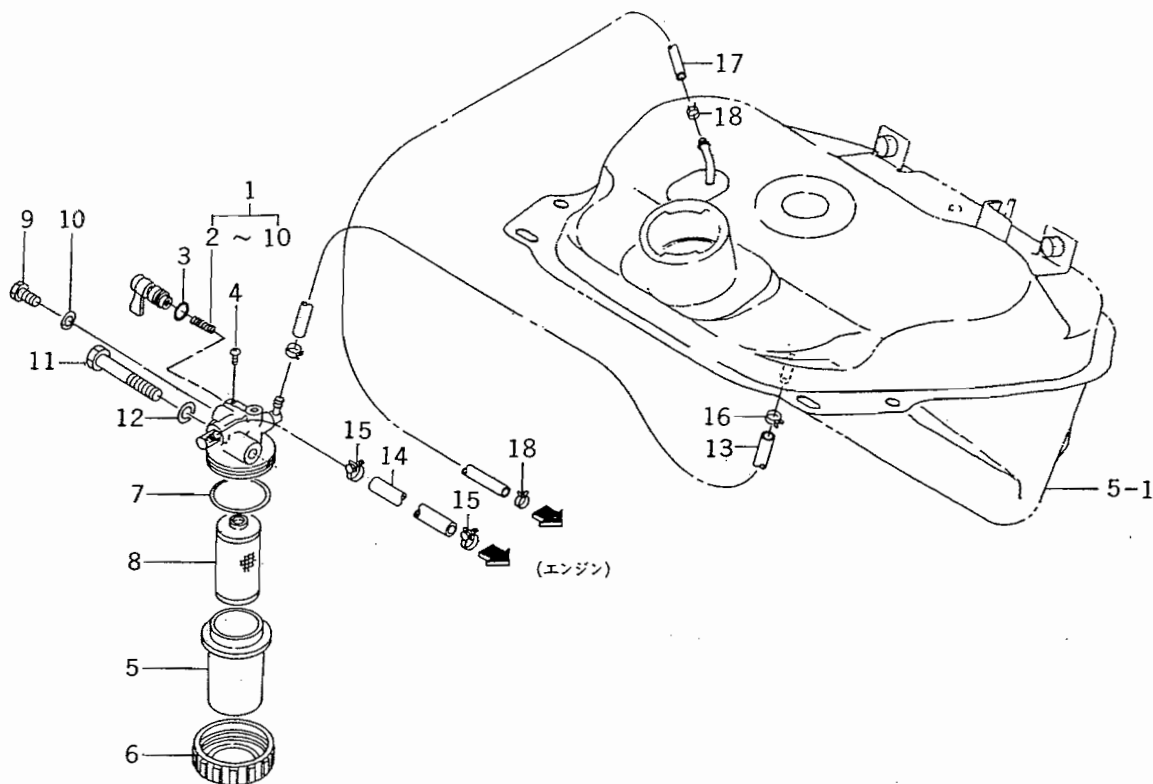
FIG. 2 RADIATOR SYSTEM (FE4)



1683-102

KEY	PART CODE	DESCRIPTION	QTY	TYPE OF MODEL		I T C	C O L	G R P	REMARKS
				TM215	TM217				
1	1675 - 102 - 200 - 00	RADIATOR ASSY	1	*	*				
2	1637 - 102 - 202 - 00	NET/WIRE COMP	1	*	*				
3	1614 - 102 - 213 - 00	CAP	1	*	*				
4	1614 - 102 - 214 - 00	HOSE	1	*	*				
5	V273 - 360 - 601 - 20	BOLT/WING/SP	1	*	*				
6	1682 - 102 - 003 - 00	INSULATOR/15X20X420	1	*	*				
7	1683 - 102 - 002 - 00	SHROUD	1	*	*				
8	1675 - 102 - 002 - 00	INSULATOR	2	*	*				
9	V210 - 360 - 601 - 20	BOLT,SEMS	4	*	*				
10	1612 - 111 - 001 - 00	INSULATOR	1	*	*				
11	1612 - 102 - 005 - 00	INSULATOR	1	*	*				
12	1672 - 102 - 004 - 00	INSULATOR	2	*	*				
13	V211 - 360 - 801 - 60	BOLT,SEMS (SP)	4	*	*				
14	1683 - 102 - 200 - 20	PLATE/LH COMP	1	*	*				
15	1683 - 102 - 210 - 20	PLATE/RH COMP	1	*	*				
16	V211 - 360 - 801 - 60	BOLT,SEMS (SP)	4	*	*				
17	1675 - 102 - 004 - 00	HOSE/RADIATOR/INLET	1	*	*				
18	J061 - 236 - 044 - 00	CLAMP/WIRE/36 - 44	1	*	*				
19	J061 - 230 - 038 - 00	CLAMP/WIRE/30 - 38	1	*	*				
20	1675 - 102 - 006 - 00	HOSE/RADIATOR/OUTLET	1	*	*				
21	J061 - 224 - 032 - 00	CLAMP/WIRE/24 - 32	1	*	*				
22	J061 - 236 - 044 - 00	CLAMP/WIRE/36 - 44	1	*	*				
23	1593 - 102 - 003 - 20	HOSE/270	1	*	*				
24	1593 - 102 - 004 - 20	HOSE/210	1	*	*				
25	J061 - 210 - 015 - 00	CLAMP/WIRE/10 - 15	4	*	*				

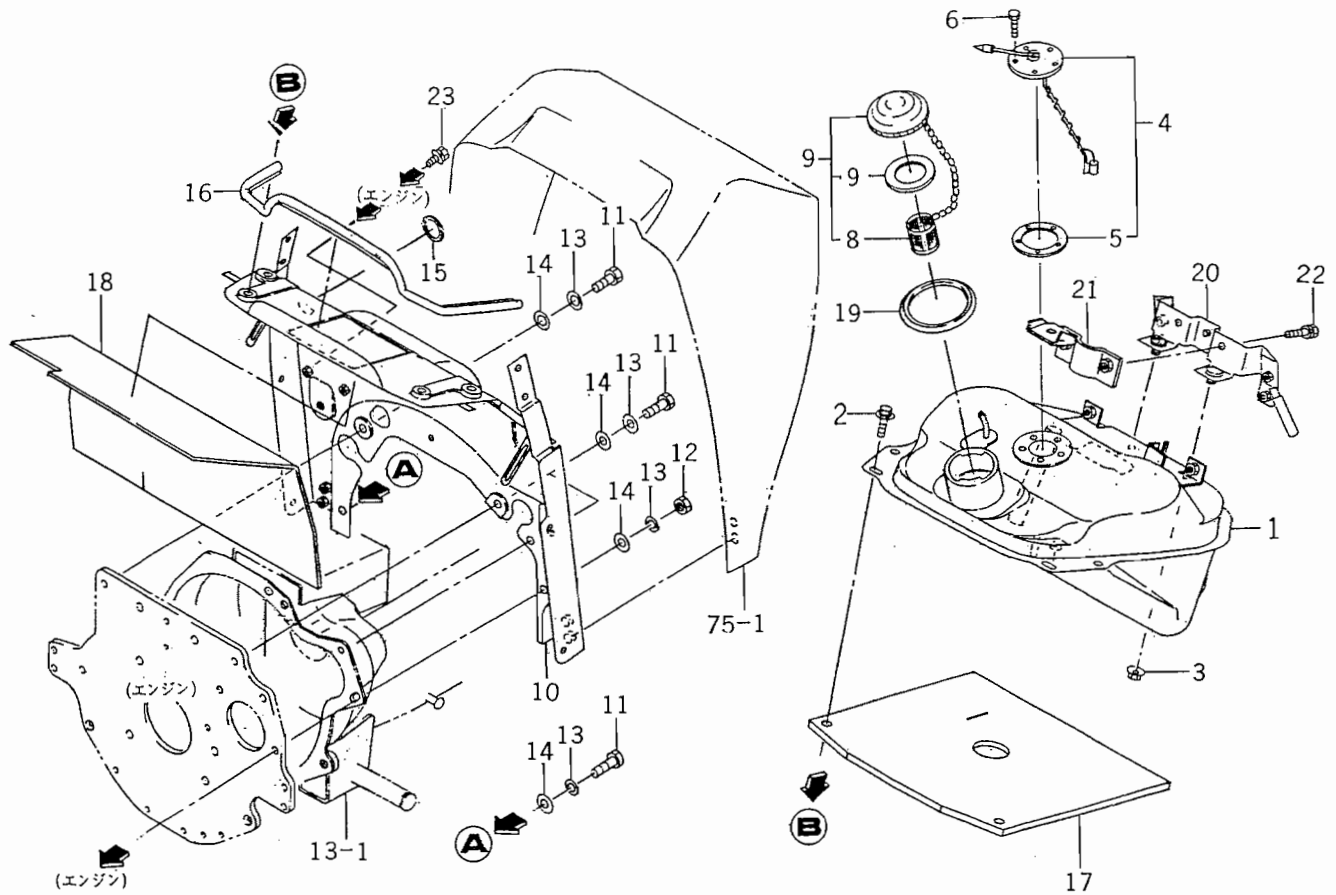
FIG. 6 FILTER SYSTEM



1672-105

KEY	PART CODE	DESCRIPTION	QTY	TYPE OF MODEL		I T C	C O L	G R P	REMARKS
				TM215	TM217				
1	1672 - 105 - 210 - 00	FILTER/FUEL ASSY	1	*	*				
2	1415 - 102 - 007 - 00	SPRING,VALVE	1	*	*				
3	V720 - 102 - 401 - 00	O - RING/P10A	1	*	*				
4	1415 - 102 - 008 - 00	VIS	1	*	*				
5	1415 - 102 - 009 - 00	CUP	1	*	*				
6	1444 - 102 - 204 - 00	NUT,RING	1	*	*				
7	V720 - 103 - 504 - 40	O - RING/P44	1	*	*				
8	1415 - 102 - 011 - 00	ELEMENT	1	*	*				
9	1572 - 102 - 003 - 00	BOLT/M06X08/APSET	2	*	*				
10	1415 - 102 - 013 - 00	PACKING	2	*	*				
11	V201 - 260 - 806 - 50	BOLT/M 8X65	1	*	*				
12	V401 - 160 - 008 - 00	WASHER,SP/M 8	1	*	*				
13	1672 - 105 - 001 - 00	HOSE/06X10X350	1	*	*				
14	2502 - 105 - 002 - 00	HOSE/350	1	*	*				
15	J061 - 210 - 012 - 00	CLAMP/WIRE/10 - 12	2	*	*				
16	J062 - 111 - 120 - 00	CLIP/HOSE/11.1 - 12	2	*	*				
17	1612 - 105 - 002 - 00	HOSE/650	1	*	*				
18	J062 - 081 - 087 - 00	CLIP/HOSE/8.1 - 8.7	1	*	*				

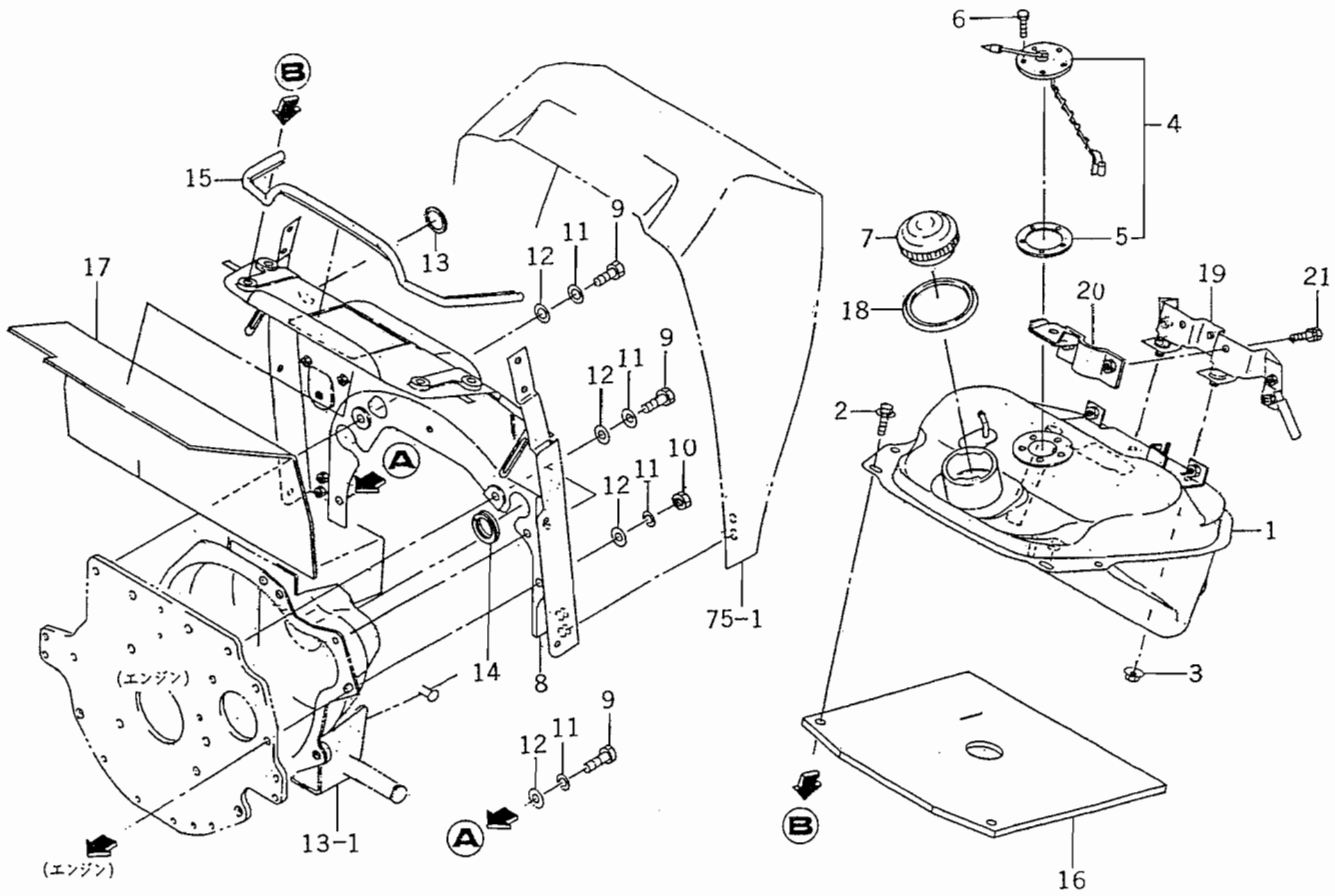
FIG. 7 FUEL TANK SYSTEM (FE1)



1672-111

KEY	PART CODE	DESCRIPTION	QTY	TYPE OF MODEL		I T C	C O L	G R P	REMARKS
				TM215	TM217				
1	1672-111-200-00	TANK/FUEL COMP	1		*				
2	V211-360-801-60	BOLT,SEMS (SP)	2		*				
3	V363-260-008-00	NUT,LOCK/M8	2		*				
4	1672-111-210-00	GAUGE/FUEL ASSY	1		*				
5	1416-621-037-00	PACKING/RUBBER	1		*				
6	V200-260-501-0B	BOLT/SEAL	5		*				
7	1575-612-220-00	CAP ASSY	1		*				
8	1575-612-222-00	STRAINER/TANK	1		*				
9	1575-612-223-00	PACKING,CAP	1		*				
10	1672-111-220-20	BRACKET/TANK COMP	1		*				
11	V203-361-002-00	BOLT/M10X1.25X20	4		*				
12	V334-460-010-00	NUT/M10 7T P=1.25	1		*				
13	V401-160-010-00	WASHER,SP/M10	5		*				
14	V411-260-010-00	WASHER/M10	5		*				
15	1600-616-006-00	INSULATOR/75	1		*				
16	1612-111-001-00	INSULATOR	1		*				
17	1612-111-002-10	INSULATOR	1		*				
18	1672-111-001-00	INSULATOR/TANK	1		*				
19	1560-111-003-20	COVER	1		*				
20	1612-111-230-10	BRACKET/TANK COMP	1		*				
21	1672-111-230-00	BRACKET/LEVER COMP	1		*				
22	V211-260-801-60	BOLT,SEMS (S) M8X16	2		*				
23	V210-360-602-50	BOLT/SP	2		*				

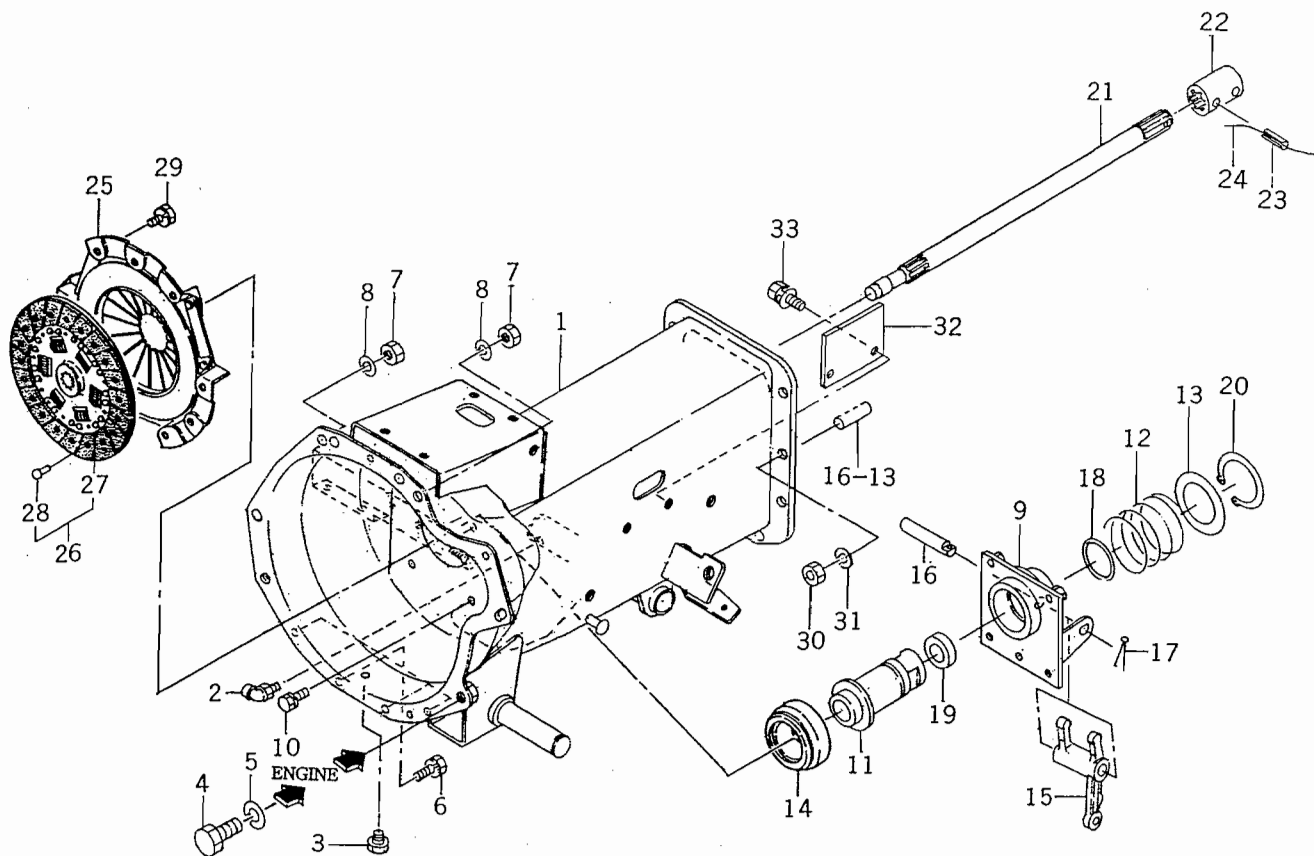
FIG. 8 FUEL TANK SYSTEM (FE4)



1682-111

KEY	PART CODE	DESCRIPTION	QTY	TYPE OF MODEL		I T C	C O L	G R P	REMARKS
				TM215	TM217				
1	1672 - 111 - 200 - 00	TANK/FUEL COMP	1	*	*				
2	V211 - 360 - 801 - 60	BOLT,SEMS (SP)	2	*	*				
3	V363 - 260 - 008 - 00	NUT,LOCK/M8	2	*	*				
4	1672 - 111 - 210 - 00	GAUGE/FUEL ASSY	1	*	*				
5	1416 - 621 - 037 - 00	PACKING/RUBBER	1	*	*				
6	V200 - 260 - 501 - 0B	BOLT/SEAL	5	*	*				
7	1682 - 111 - 300 - 00	CAP/FUEL ASSY	1	*	*				
8	1682 - 111 - 210 - 00	BRACKET/TANK COMP	1	*	*				
9	V203 - 361 - 002 - 00	BOLT/M10X1.25X20	4	*	*				
10	V334 - 460 - 010 - 00	NUT/M10 7T P = 1.25	1	*	*				
11	V401 - 160 - 010 - 00	WASHER,SP/M10	5	*	*				
12	V411 - 260 - 010 - 00	WASHER/M10	5	*	*				
13	1600 - 616 - 006 - 00	INSULATOR/75	1	*	*				
14	1612 - 690 - 001 - 00	INSULATOR/36	2	*	*				
15	1612 - 111 - 001 - 00	INSULATOR	1	*	*				
16	1612 - 111 - 002 - 10	INSULATOR	1	*	*				
17	1672 - 111 - 001 - 00	INSULATOR/TANK	1	*	*				
18	1560 - 111 - 003 - 20	COVER	1	*	*				
19	1612 - 111 - 230 - 10	BRACKET/TANK COMP	1	*	*				
20	1672 - 111 - 230 - 00	BRACKET/LEVER COMP	1	*	*				
21	V211 - 260 - 801 - 60	BOLT,SEMS (S) M8X16	2	*	*				

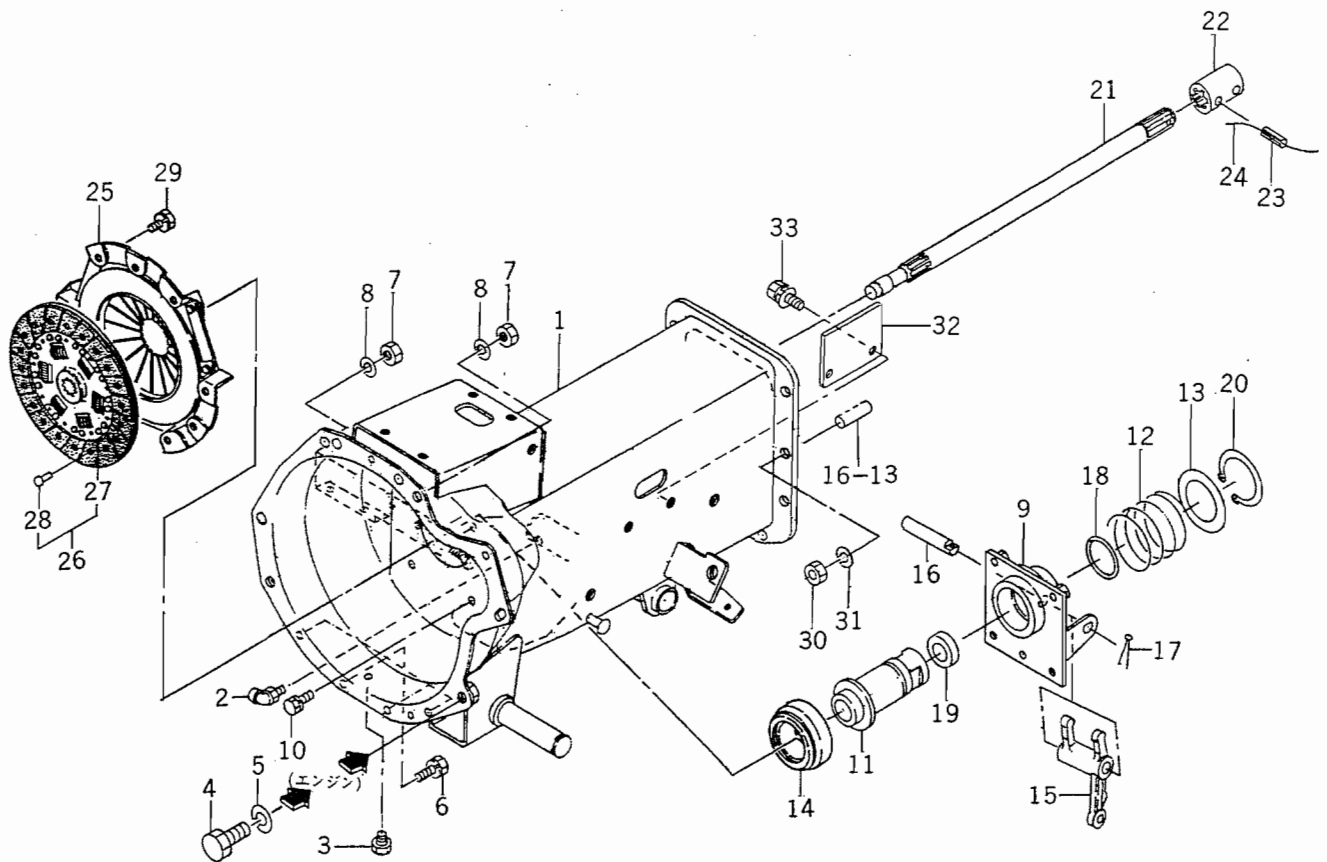
FIG. 13 MAIN CLUTCH SYSTEM (FE1)



1672-120

KEY	PART CODE	DESCRIPTION	QTY	TYPE OF MODEL		I T C	C O L	G R P	REMARKS
				TM215	TM217				
1	1672 - 120 - 200 - 30	HOUSING/CLUTCH COMP	1		*	1			
2	V763 - 150 - 000 - 00	NIPPLE,GREASE/PT1/8	1		*				
3	1326 - 706 - 002 - 10	PLUG,DRAIN	1		*				
4	V201 - 361 - 202 - 50	BOLT/M12X25	2		*				
5	V401 - 160 - 012 - 00	WASHER,SP/M12	2		*				
6	V211 - 260 - 801 - 60	BOLT,SEMS (S) M8X16	4		*				
7	V334 - 460 - 010 - 00	NUT/M10 7T P = 1.25	2		*				
8	V401 - 160 - 010 - 00	WASHER,SP/M10	2		*				
9	1672 - 120 - 220 - 00	HOLDER/SLEEVE COMP	1		*				
10	V211 - 260 - 801 - 60	BOLT,SEMS (S) M8X16	4		*				
11	1672 - 120 - 002 - 10	SLEEVE	1		*				
12	1672 - 120 - 003 - 00	SPRING/HC64	1		*				
13	1672 - 120 - 004 - 00	WASHER/46X70X2	1		*				
14	V706 - 140 - 045 - 00	RING/SNAP	1		*				
15	1491 - 120 - 001 - 00	BEARING,CLUTCH RS	1		*				
16	1435 - 122 - 002 - 00	FORK/RELEASE	1		*				
17	1434 - 122 - 002 - 00	PIN,YOKE	1		*				
18	V500 - 163 - 002 - 00	PIN,SPLIT/3 X20	1		*				
19	V721 - 103 - 104 - 50	O - RING/G45	1		*				
20	V744 - 120 - 350 - 70	SEAL,OIL/TC20357	1		*				
21	1672 - 120 - 001 - 00	SHAFT/INPUT	1		*				
22	1435 - 120 - 002 - 20	HUB/20X30X62	1		*				
23	V580 - 140 - 603 - 20	PIN,SPRING/6 X32 W	2		*				
24		WIRE	1		*				
25	1600 - 120 - 230 - 00	CLUTCH ASSY	1		*				

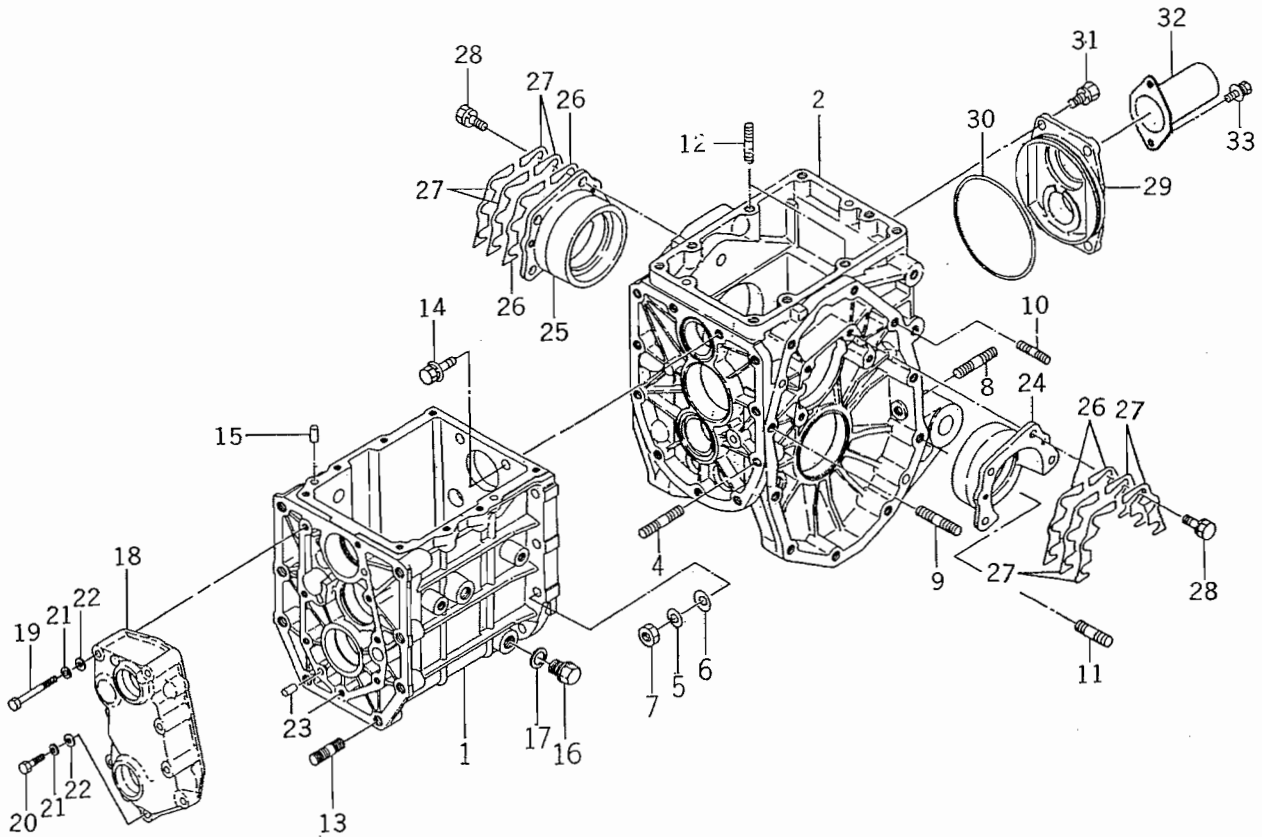
FIG. 14 MAIN CLUTCH SYSTEM (FE4)



1682-120

KEY	PART CODE	DESCRIPTION	QTY	TYPE OF MODEL		I T C	C O L	G R P	REMARKS
				TM215	TM217				
1	1682 - 120 - 200 - 30	HOUSING/CLUTCH COMP	1	*	*	1			
2	V763 - 150 - 000 - 00	NIPPLE,GREASE/PT1/8	1	*	*				
3	1326 - 706 - 002 - 10	PLUG,DRAIN	1	*	*				
4	V201 - 361 - 202 - 50	BOLT/M12X25	2	*	*				
5	V401 - 160 - 012 - 00	WASHER,SP/M12	2	*	*				
6	V211 - 260 - 801 - 60	BOLT,SEMS (S) M8X16	4	*	*				
7	V334 - 460 - 010 - 00	NUT/M10 7T P=1.25	2	*	*				
8	V401 - 160 - 010 - 00	WASHER,SP/M10	2	*	*				
9	1672 - 120 - 220 - 00	HOLDER/SLEEVE COMP	1	*	*				
10	V211 - 260 - 801 - 60	BOLT,SEMS (S) M8X16	4	*	*				
11	1672 - 120 - 002 - 10	SLEEVE	1	*	*				
12	1672 - 120 - 003 - 00	SPRING/HC64	1	*	*				
13	1672 - 120 - 004 - 00	WASHER/46X70X2	1	*	*				
14	1491 - 120 - 001 - 00	BEARING,CLUTCH RS	1	*	*				
15	1435 - 122 - 002 - 00	FORK/RELEASE	1	*	*				
16	1434 - 122 - 002 - 00	PIN,YOKE	1	*	*				
17	V500 - 163 - 002 - 00	PIN,SPLIT/3 X20	1	*	*				
18	V720 - 113 - 504 - 50	RING/O	1	*	*				
19	V744 - 120 - 350 - 70	SEAL,OIL/TC20357	1	*	*				
20	V706 - 140 - 045 - 00	RING/SNAP	1	*	*				
21	1682 - 120 - 001 - 00	SHAFT/INPUT	1	*	*				
22	1435 - 120 - 002 - 20	HUB/20X30X62	1	*	*				
23	V580 - 140 - 603 - 20	PIN,SPRING/6 X32 W	2	*	*				
24		WIRE	1	*	*				
25	1600 - 120 - 230 - 00	CLUTCH ASSY	1	*	*				

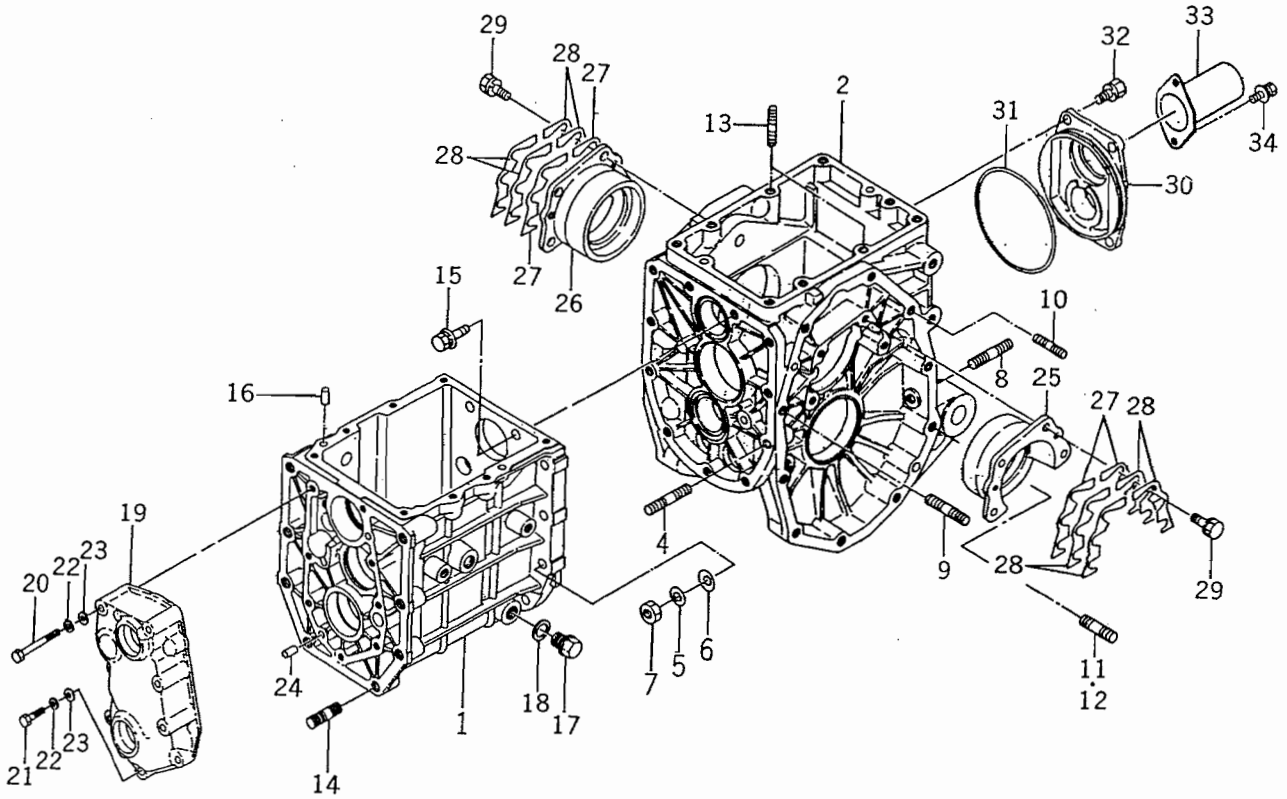
FIG. 16 TRANSMISSION CASE SYSTEM (FE1)



1672-201

KEY	PART CODE	DESCRIPTION	QTY	TYPE OF MODEL		I T C	C O L	G R P	REMARKS
				TM215	TM217				
1	1672 - 201 - 004 - 00	CASE/TRANSMISSION/FR	1		*				
2	1427 - 201 - 002 - 50	CASE/TRANSMISSION/RE	1		*				
3	V252 - 341 - 003 - 00	BOLT/STUD	2		*				
4	V252 - 341 - 003 - 50	BOLT/M10X35	7		*				
5	V401 - 160 - 010 - 00	WASHER,SP/M10	9		*				
6	V411 - 260 - 010 - 00	WASHER/M10	9		*				
7	V304 - 260 - 010 - 00	NUT	9		*				
8	V251 - 261 - 202 - 5C	BOLT/STUD/SEAL	2		*				
9	V252 - 261 - 004 - 00	BOLT/STUD	2		*				
10	V252 - 261 - 005 - 50	BOLT/M10X55	2		*				
11	V252 - 261 - 204 - 50	BOLT/M12X45	2		*				
12	V252 - 341 - 003 - 00	BOLT/STUD	2		*				
13	V252 - 341 - 203 - 00	BOLT/M12X30	8		*				
14	V211 - 361 - 003 - 50	BOLT/M10X35	2		*				
15	V522 - 100 - 801 - 80	PIN	2		*				
16	1427 - 201 - 007 - 00	PLUG,DRAIN	1		*				
17	1427 - 201 - 008 - 00	WASHER,SEAL/16	1		*				
18	1427 - 201 - 005 - 00	METAL/INPUT	1		*				
19	V201 - 260 - 806 - 00	BOLT/M 8X60	4		*				
20	V201 - 260 - 803 - 50	BOLT/M 8X35	4		*				
21	V401 - 160 - 008 - 00	WASHER,SP/M 8	8		*				
22	V411 - 260 - 008 - 00	WASHER,PL/M 8	8		*				
23	V522 - 100 - 801 - 80	PIN	2		*				
24	1427 - 201 - 012 - 00	METAL,DIFF - CASE LH	1		*				
25	1427 - 201 - 013 - 00	METAL,DIFF - CASE RH	1		*				

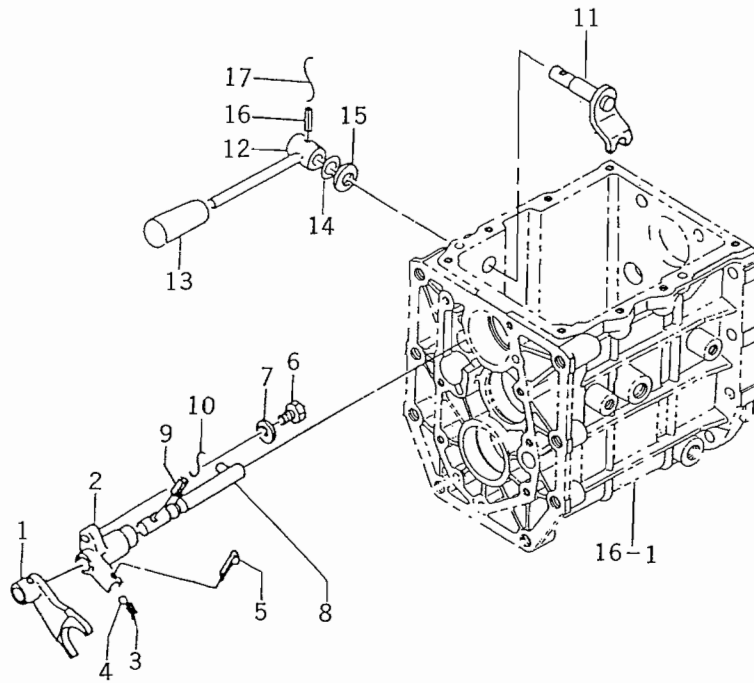
FIG. 17 TRANSMISSION CASE SYSTEM (FE4)



1682-201

KEY	PART CODE	DESCRIPTION	QTY	TYPE OF MODEL		I T C	C O L	G R P	REMARKS
				TM215	TM217				
1	1682 - 201 - 001 - 10	CASE/TRANSMISSION/F	1	*	*				
2	1427 - 201 - 002 - 50	CASE/TRANSMISSION/RE	1	*	*				
3	V252 - 341 - 003 - 00	BOLT/STUD	2	*	*				
4	V252 - 341 - 003 - 50	BOLT/M10X35	7	*	*				
5	V401 - 160 - 010 - 00	WASHER,SP/M10	9	*	*				
6	V411 - 260 - 010 - 00	WASHER/M10	9	*	*				
7	V304 - 460 - 010 - 00	NUT/M10	9	*	*				
8	V251 - 261 - 202 - 5C	BOLT/STUD/SEAL	2	*	*				
9	V252 - 261 - 004 - 00	BOLT/STUD	2	*	*				
10	V252 - 261 - 005 - 50	BOLT/M10X55	2	*	*				
11	V252 - 261 - 204 - 50	BOLT/M12X45	2	*	*				
12	V252 - 341 - 204 - 50	BOLT/STUD	2	*	*				
13	V252 - 341 - 003 - 00	BOLT/STUD	2	*	*				
14	V252 - 341 - 203 - 00	BOLT/M12X30	8	*	*				
15	V211 - 661 - 003 - 50	BOLT/SP	2	*	*				
16	V522 - 100 - 801 - 80	PIN	4	*	*				
17	1427 - 201 - 007 - 00	PLUG,DRAIN	1	*	*				
18	1427 - 201 - 008 - 00	WASHER,SEAL/16	1	*	*				
19	1427 - 201 - 005 - 00	METAL/INPUT	1	*	*				
20	V201 - 260 - 806 - 00	BOLT/M 8X60	4	*	*				
21	V201 - 260 - 803 - 50	BOLT/M 8X35	4	*	*				
22	V401 - 160 - 008 - 00	WASHER,SP/M 8	8	*	*				
23	V411 - 260 - 008 - 00	WASHER,PL/M 8	8	*	*				
24	V522 - 100 - 801 - 80	PIN	2	*	*				
25	1427 - 201 - 012 - 00	METAL,DIFF - CASE LH	1	*	*				

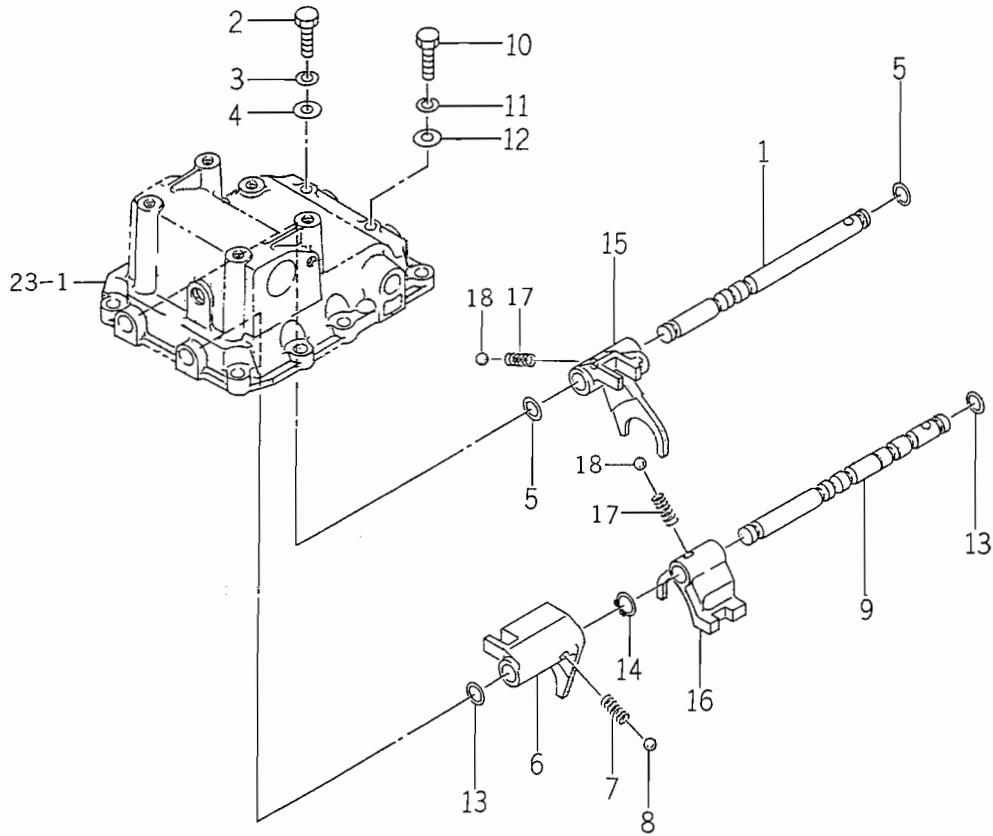
FIG. 25 4WD CHANGE SYSTEM



1582-209

KEY	PART CODE	DESCRIPTION	QTY	TYPE OF MODEL		I T C	C O L	G R P	REMARKS
				TM215	TM217				
1	1427 - 210 - 008 - 10	FORK/SHIFT/FRONT	1	*	*				
2	1427 - 210 - 009 - 00	CASE,SPRING	1	*	*				
3	1302 - 225 - 003 - 00	SPRING,SHIFTER	1	*	*				
4	V682 - 200 - 001 - 00	BALL	1	*	*				
5	V500 - 162 - 002 - 00	PIN,SPLIT/2 X20	1	*	*				
6	1427 - 210 - 011 - 00	BOLT/M8X30	1	*	*				
7	V411 - 260 - 008 - 00	WASHER,PL/M 8	1	*	*				
8	1427 - 210 - 200 - 00	STAY,SHIFTER	1	*	*				
9	V580 - 140 - 502 - 00	PIN,SPRING/5 X20 W	1	*	*				
10		WIRE	1	*	*				
11	1427 - 209 - 200 - 00	ARM,SHIFT	1	*	*				
12	1682 - 209 - 200 - 20	LEVER,4WD COMP	1	*	*	3			
13	2101 - 230 - 001 - 00	KNOB	1	*	*				
14	V720 - 102 - 401 - 40	O - RING/P14	1	*	*				
15	1427 - 601 - 003 - 00	WASHER,/15X24X2	1	*	*				
16	V580 - 140 - 502 - 50	PIN,SPRING/5 X25 W	1	*	*				
17		WIRE	1	*	*				

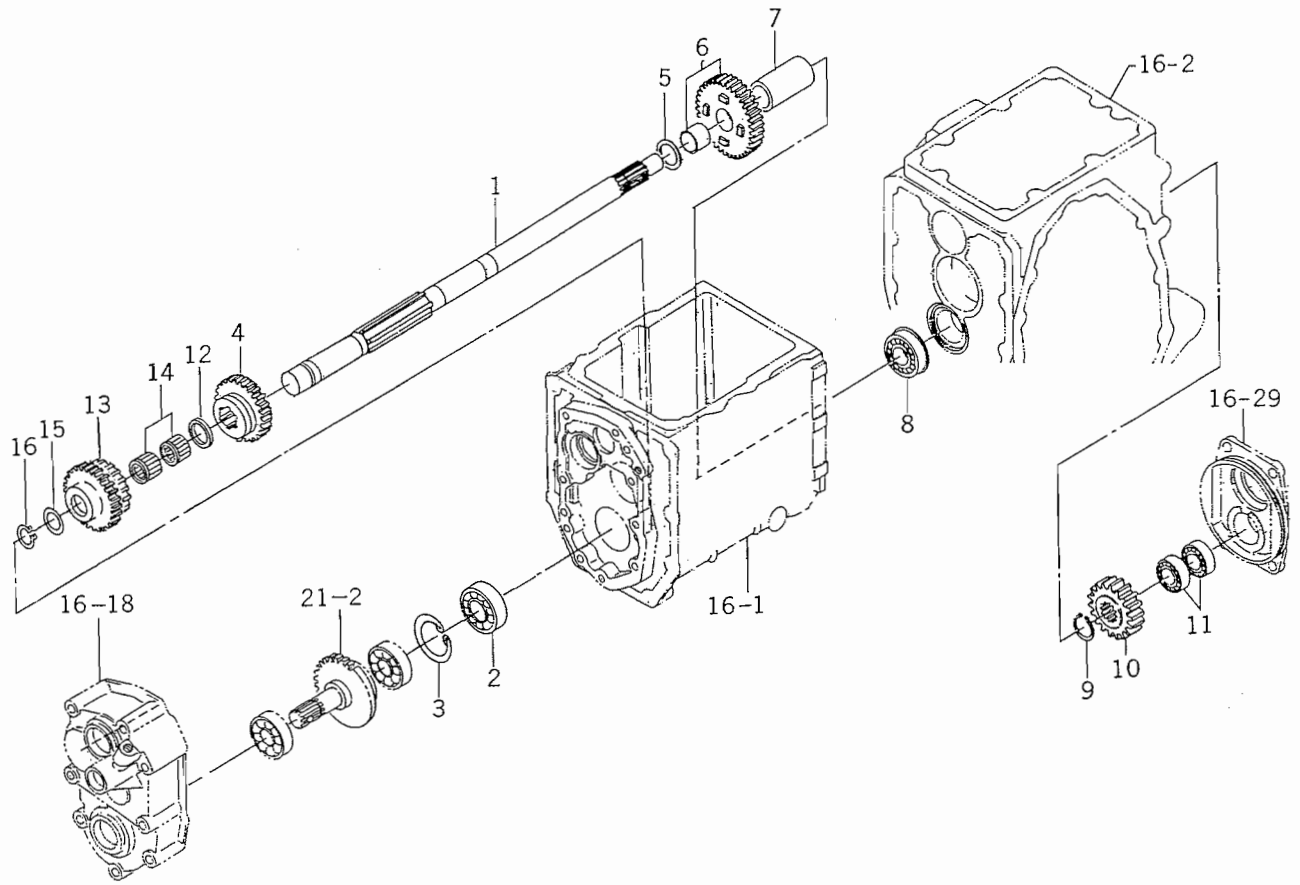
FIG. 26 MAIN/SUB CHANGE SYSTEM



1682-210

KEY	PART CODE	DESCRIPTION	QTY	TYPE OF MODEL		I T C	C O L	G R P	REMARKS
				TM215	TM217				
1	1672 - 210 - 001 - 00	STAY/SHIFT/1ST	1	*	*				
2	1427 - 210 - 003 - 00	BOLT/M8X25	1	*	*				
3	V401 - 160 - 008 - 00	WASHER,SP/M 8	1	*	*				
4	V411 - 260 - 008 - 00	WASHER,PL/M 8	1	*	*				
5	V720 - 102 - 401 - 00	O - RING/P10A	2	*	*				
6	1672 - 210 - 002 - 00	FORK/SHIFT/1ST	1	*	*				
7	1650 - 259 - 010 - 00	SPRING/HC023	1	*	*				
8	V682 - 200 - 001 - 00	BALL	1	*	*				
9	1672 - 210 - 003 - 10	STAY/SHIFT/2ND	1	*	*				
10	1427 - 210 - 003 - 00	BOLT/M8X25	1	*	*				
11	V401 - 160 - 008 - 00	WASHER,SP/M 8	1	*	*				
12	V411 - 260 - 008 - 00	WASHER,PL/M 8	1	*	*				
13	V720 - 102 - 401 - 00	O - RING/P10A	2	*	*				
14	V704 - 140 - 014 - 00	RING,SNAP/14 C	1	*	*				
15	1672 - 210 - 004 - 00	FORK/SHIFT/2ND	1	*	*				
16	1672 - 210 - 005 - 00	FORK/SHIFT/SUB	1	*	*				
17	1650 - 259 - 010 - 00	SPRING/HC023	2	*	*				
18	V682 - 200 - 001 - 00	BALL	2	*	*				

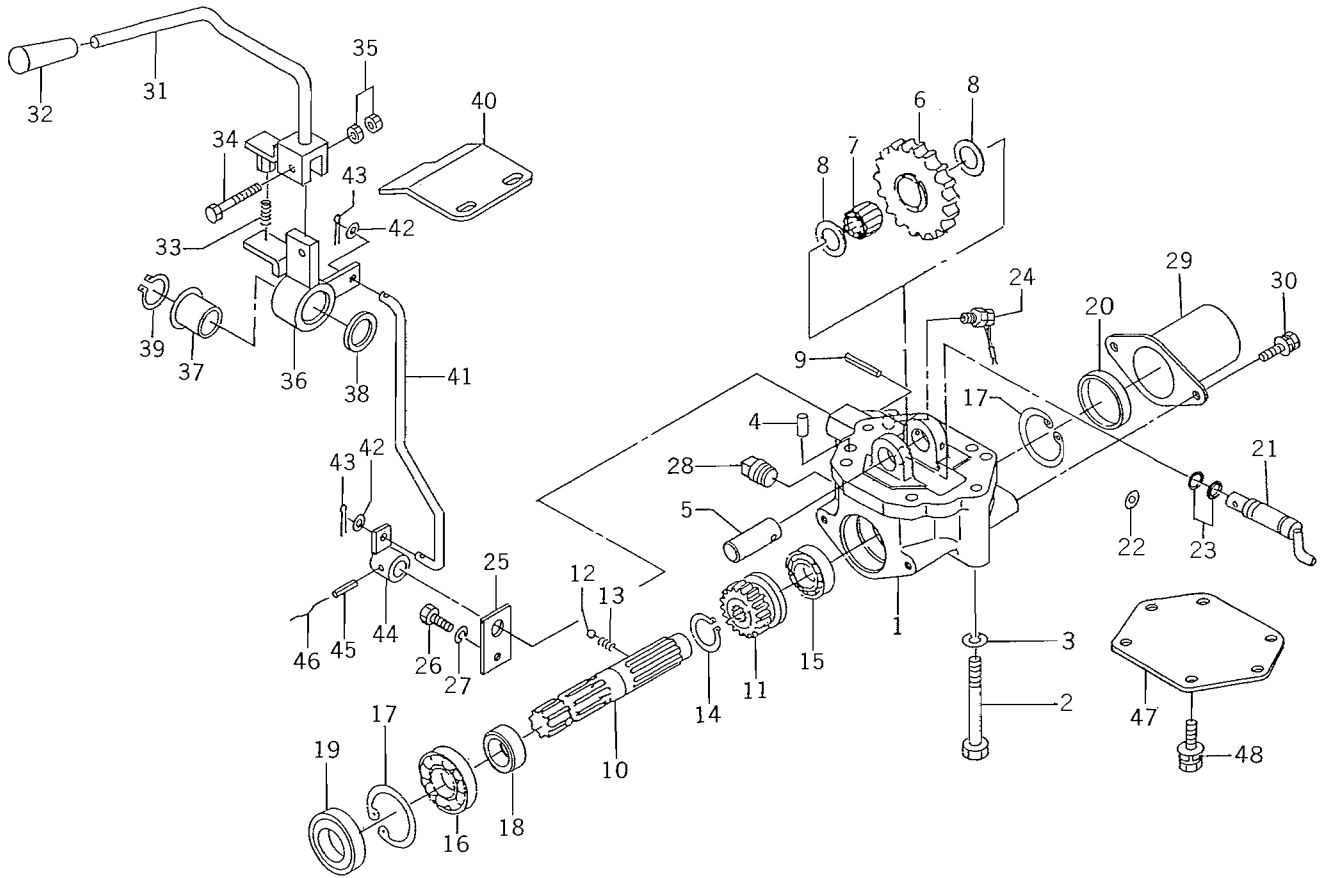
FIG. 27 P.T.O. GEAR/2ND SYSTEM (FE4)



1682-211A

KEY	PART CODE	DESCRIPTION	QTY	TYPE OF MODEL		I T C	C O L	G R P	REMARKS
				TM215	TM217				
1	1682 - 211 - 004 - 20	SHAFT/DRIVE/PTO	1	*	*	3			
2	V600 - 110 - 630 - 40	BEARING,RB/6304	1	*	*				
3	V705 - 140 - 052 - 00	RING,SNAP/52 C	1	*	*				
4	1682 - 211 - 003 - 00	GEAR/SPUR/26	1	*	*				
5	1434 - 211 - 004 - 00	COLLAR/26X36X3	1	*	*				
6	1682 - 211 - 210 - 00	GEAR/SPUR/33 COMP	1	*	*				
7	1491 - 211 - 003 - 00	PIPE/63	1	*	*				
8	V607 - 110 - 620 - 50	BEARING,RB/6205NR	1	*	*				
9	V704 - 140 - 025 - 00	RING,SNAP/25 C	1	*	*				
10	1672 - 211 - 009 - 10	GEAR/SPUR/19	1	*	*				
11	V600 - 110 - 620 - 40	BEARING,RB/6204	2	*	*				
12	1682 - 211 - 005 - 10	COLLAR/20X36X04	1	*	*	1			
13	1682 - 211 - 006 - 10	GEAR/SPUR/18 - 20	1	*	*				
14	V654 - 420 - 261 - 70	BEARING,NR/KT202617	2	*	*				
15	1682 - 211 - 002 - 20	WASHER/20X32X02	2	*	*				
16	V704 - 140 - 020 - 00	RING,SNAP/20C	1	*	*				

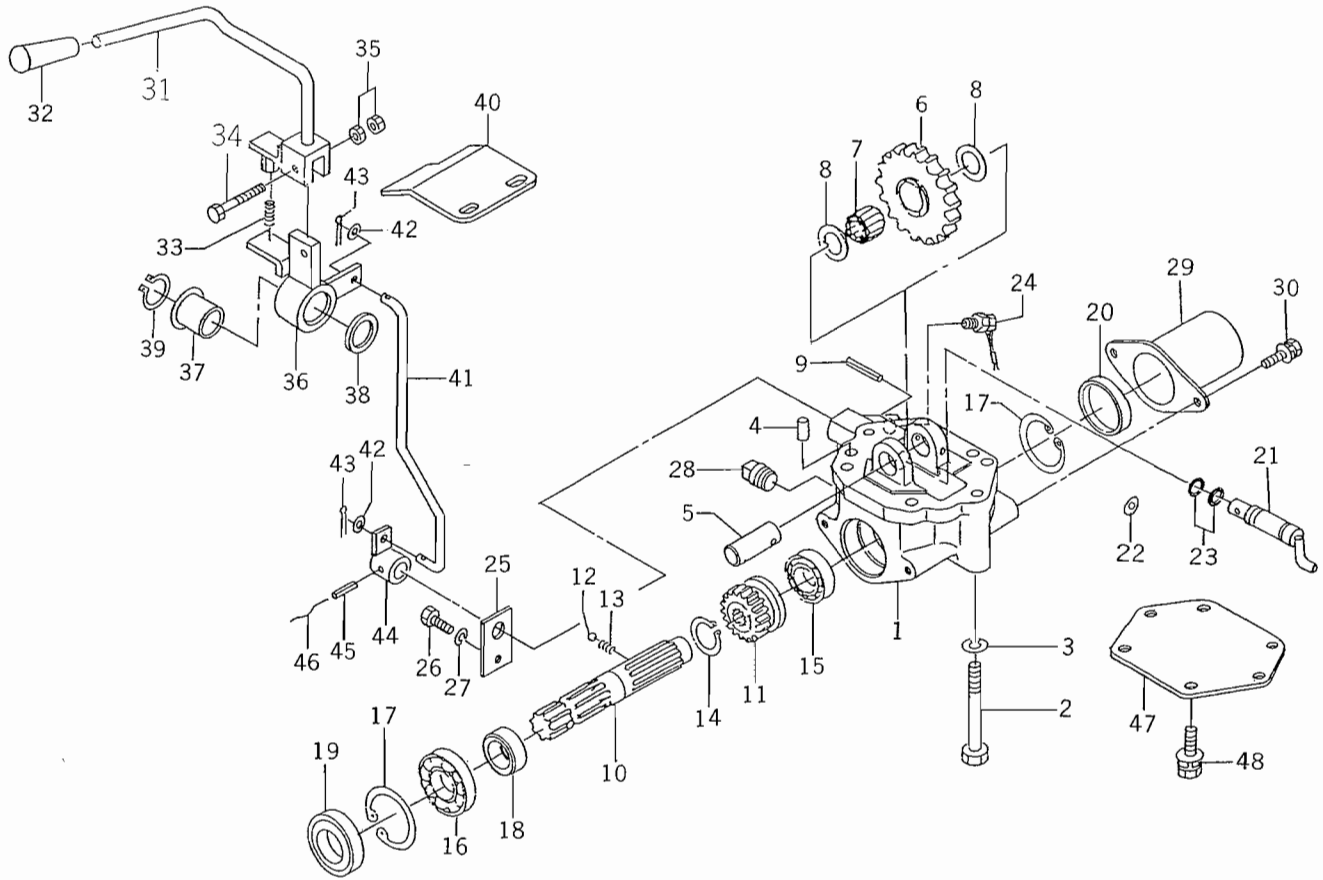
FIG. 33 MID PTO SYSTEM (FE4)



1682-255

KEY	PART CODE	DESCRIPTION	QTY	TYPE OF MODEL		I T C	C O L	G R P	REMARKS
				TM215	TM217				
1	1682 - 255 - 201 - 00	CASE/PTO/MID	1	*	*				
2	V201 - 361 - 009 - 00	BOLT/M10X9C	6	*	*				
3	V401 - 160 - 010 - 00	WASHER,SP/M10	6	*	*				
4	V523 - 101 - 002 - 40	PIN	2	*	*				
5	1682 - 255 - 203 - 00	PIN/20X51	1	*	*				
6	1682 - 255 - 202 - 00	GEAR/SPUR/34	1	*	*				
7	1682 - 255 - 002 - 00	BEARING,/NEEDLE	1	*	*				
8	1480 - 212 - 003 - 00	COLLAR/21X36X1	2	*	*				
9	V580 - 140 - 604 - 00	PIN,SPRING/6 X40 W	1	*	*				
10	1682 - 255 - 204 - 00	SHAFT/PTO/MID	1	*	*				
11	1682 - 255 - 205 - 00	GEAR/SPUR/15	1	*	*				
12	V682 - 200 - 001 - 00	BALL	2	*	*				
13	1302 - 225 - 003 - 00	SPRING,SHIFTER	1	*	*				
14	V704 - 140 - 025 - 00	RING,SNAP/25 C	1	*	*				
15	V600 - 110 - 630 - 40	BEARING,RB/6304	1	*	*				
16	V600 - 110 - 620 - 50	BEARING,RB/6205	1	*	*				
17	V705 - 140 - 052 - 00	RING,SNAP/52 C	2	*	*				
18	1427 - 212 - 003 - 20	SLEEVE	1	*	*				
19	V744 - 135 - 520 - 80	SEAL,OIL/TC35528	1	*	*				
20	3625 - 701 - 003 - 00	CAP,BLANK/52	1	*	*				
21	1682 - 255 - 210 - 30	ARM/SHIFT/MID COMP	1	*	*	3			
22	2703 - 101 - 020 - 00	COLLAR,SHIFTER	1	*	*				
23	V720 - 102 - 401 - 40	O - RING/P14	1	*	*				
24	1518 - 621 - 320 - 00	SWITCH,STOP	1	*	*				
25	1620 - 255 - 208 - 00	PLATE/1/30X50	1	*	*				

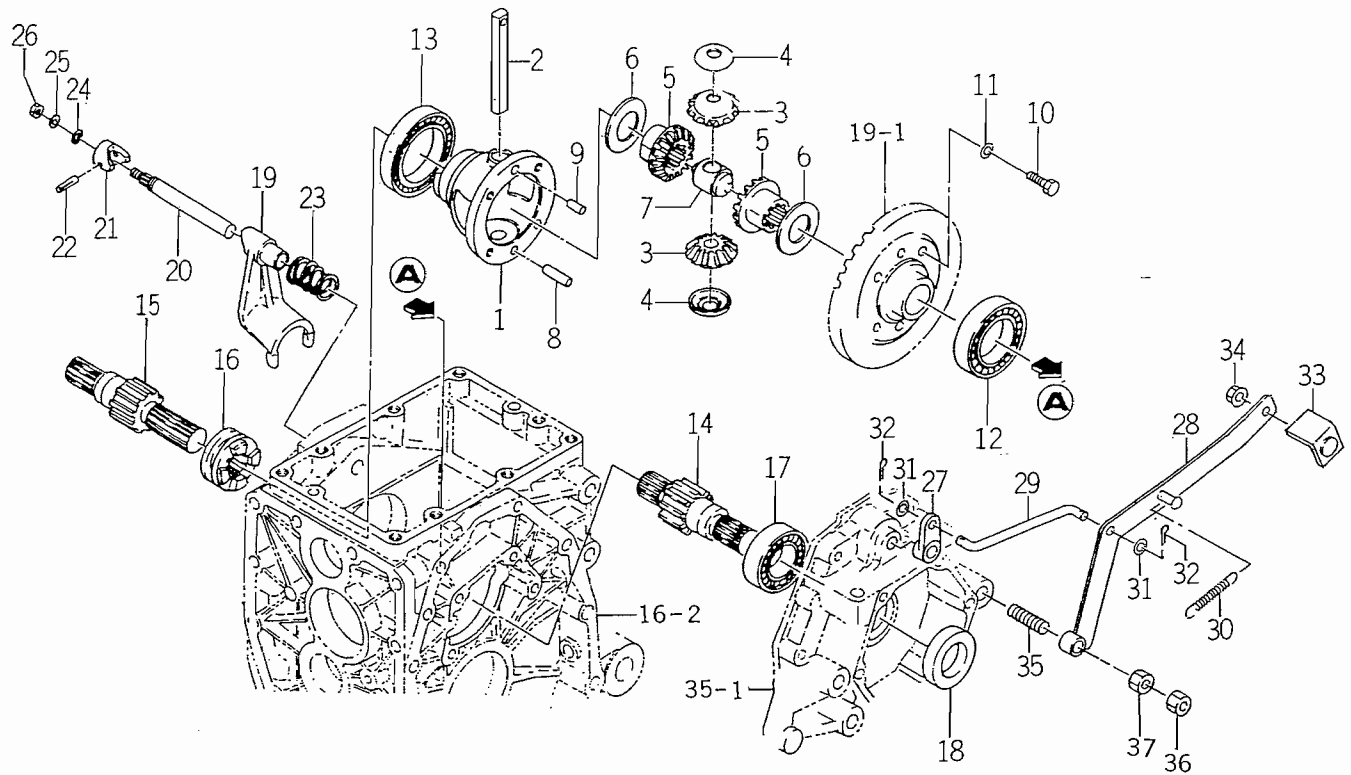
FIG. 33 MID PTO SYSTEM (FE4)



1682-255

KEY	PART CODE	DESCRIPTION	QTY	TYPE OF MODEL		I T C	C O L	G R P	REMARKS
				TM215	TM217				
26	V201 - 260 - 801 - 20	BOLT/M 8X12	1	*	*				
27	V401 - 160 - 008 - 00	WASHER,SP/M 8	1	*	*				
28	V781 - 160 - 000 - 6B	PLUG/SCREW/SEAL	1	*	*				
29	1444 - 314 - 009 - 10	CAP,PTO SHAFT	1	*	*				
30	V210 - 360 - 602 - 00	BOLT/SP	2	*	*				
31	1682 - 255 - 310 - 10	LEVER/PTO/MID COMP	1	*	*	1			
32	2101 - 230 - 001 - 00	KNOB	1	*	*				
33	2149 - 601 - 031 - 00	SPRING/HC024	1	*	*				
34	V200 - 360 - 604 - 00	BOLT	1	*	*				
35	V301 - 460 - 006 - 00	NUT/M 6	2	*	*				
36	1682 - 255 - 320 - 00	ARM/PTO/MID COMP	1	*	*				
37	1581 - 521 - 642 - 00	BUSH/25X28X27	1	*	*				
38	3670 - 520 - 008 - 00	WASHER/25X34X02	1	*	*				
39	V704 - 140 - 025 - 00	RING,SNAP/25 C	1	*	*				
40	1682 - 255 - 301 - 10	GUIDE/PTO/MID	1	*	*				
41	1682 - 255 - 302 - 00	ROD/232	1	*	*				
42	V411 - 260 - 008 - 00	WASHER,PL/M 8	2	*	*				
43	V500 - 162 - 001 - 50	PIN,SPLIT/2 X15	2	*	*				
44	1682 - 255 - 330 - 10	ARM/PTO/MID COMP	1	*	*	3			
45	V580 - 140 - 602 - 50	PIN,SPRING/6 X25 W	1	*	*				
46		WIRE	1	*	*				
47	1682 - 255 - 001 - 00	COVER/PLATE	1	*	*				
48	V211 - 361 - 002 - 50	BOLT/SP	6	*	*				

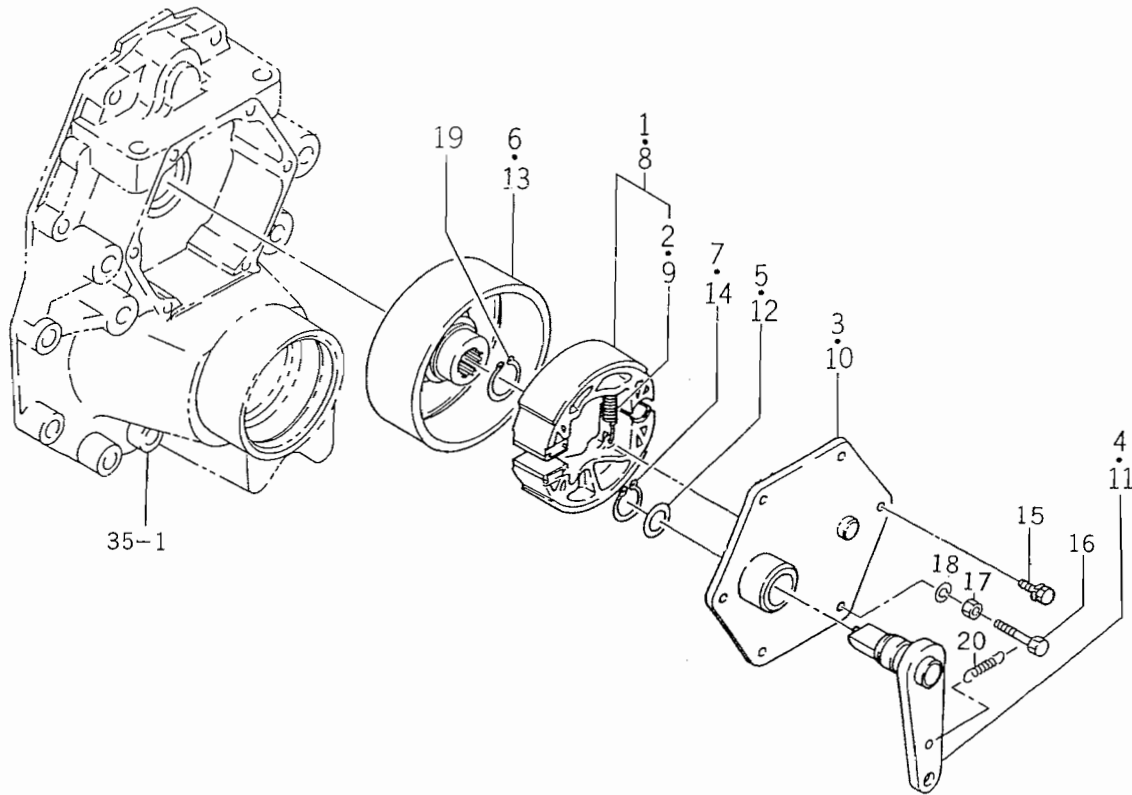
FIG. 34 DIFF CASE SYSTEM



1682-301

KEY	PART CODE	DESCRIPTION	QTY	TYPE OF MODEL		I T C	C O L	G R P	REMARKS
				TM215	TM217				
1	1427 - 301 - 002 - 20	CASE,DIFF	1	*	*				
2	1444 - 411 - 006 - 00	SHAFT,DIFF. PINION	1	*	*				
3	1427 - 301 - 004 - 00	PINION,DIFF/12T	2	*	*				
4	1427 - 301 - 005 - 00	COLLAR,PINION THRUST	2	*	*				
5	1427 - 301 - 006 - 00	GEAR,DIFF - SIDE/14T	2	*	*				
6	1427 - 301 - 007 - 00	COLLAR,THRUST	2	*	*				
7	1427 - 301 - 009 - 00	HOLDER,PINION SHAFT	1	*	*				
8	1672 - 301 - 002 - 00	PIN	1	*	*				
9	V522 - 100 - 801 - 60	PIN	1	*	*				
10	1544 - 304 - 006 - 10	BOLT/M8X25	4	*	*				
11	V401 - 160 - 008 - 00	WASHER,SP/M 8	4	*	*				
12	V600 - 110 - 600 - 90	BEARING,RB/6009	1	*	*				
13	V600 - 110 - 601 - 00	BEARING,RB/6010	1	*	*				
14	1427 - 301 - 011 - 10	PINION,WHEEL/11.L	1	*	*				
15	1427 - 301 - 012 - 10	PINION,WHEEL/11.R	1	*	*				
16	1427 - 301 - 013 - 10	CLUTCH,DIFF - LOCK	1	*	*				
17	V600 - 110 - 620 - 60	BEARING,RB/6206	2	*	*				
18	V744 - 130 - 450 - 80	SEAL,OIL/TC30458	2	*	*				
19	1427 - 301 - 014 - 10	FORK/SHIFT/DIFFLOCK	1	*	*				
20	1427 - 301 - 015 - 00	STAY,SHIFTER	1	*	*				
21	1427 - 301 - 016 - 00	CAM,DIFF - LOCK	1	*	*				
22	V530 - 240 - 502 - 40	PIN/SLITTED	1	*	*				
23	1427 - 301 - 018 - 00	SPRING,PRESS/40	1	*	*				
24	V720 - 102 - 401 - 00	O - RING/P10A	1	*	*				
25	V401 - 160 - 010 - 00	WASHER,SP/M10	1	*	*				

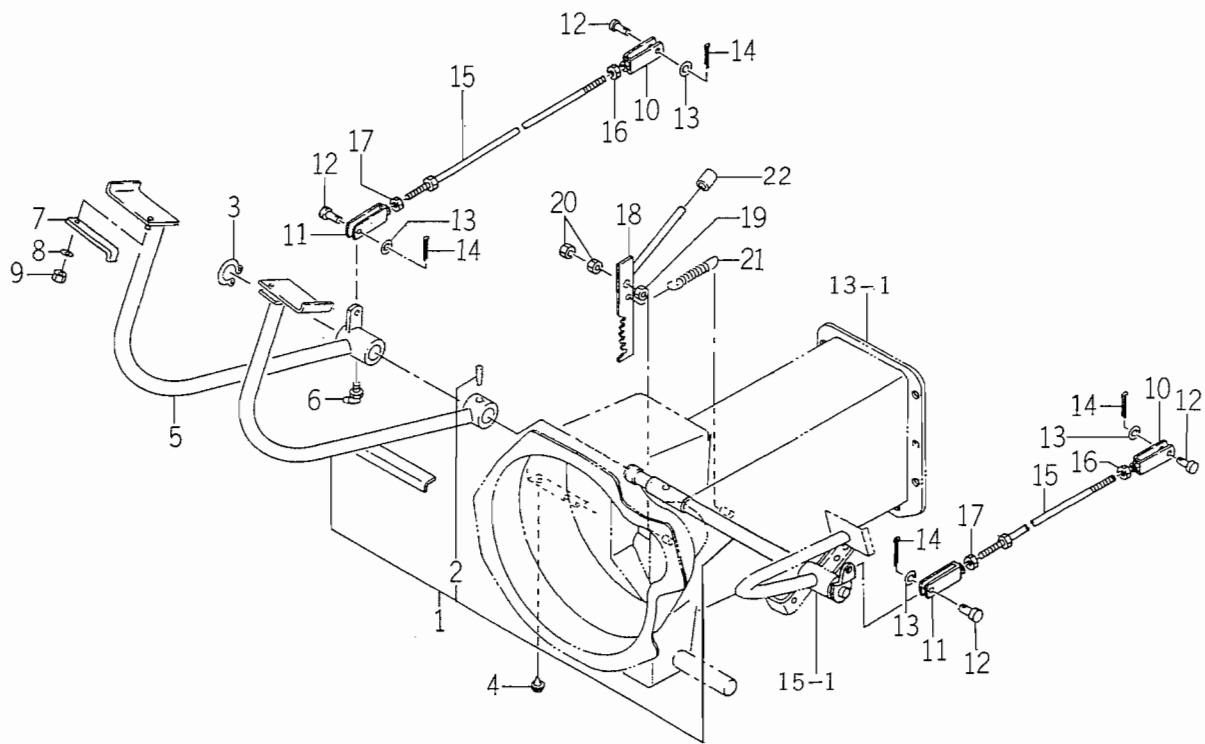
FIG. 38 BRAKE SYSTEM (FE1)



1672-310

KEY	PART CODE	DESCRIPTION	QTY	TYPE OF MODEL		I T C	C O L	G R P	REMARKS
				TM215	TM217				
1	1600 - 310 - 270 - 00	BRAKE,SHOE ASSY	1		*				
2	1427 - 310 - 001 - 00	SPRING,TENSION	2		*				
3	1427 - 310 - 220 - 10	COVER,BRAKE	1		*				
4	1427 - 310 - 230 - 00	PIN/BRAKE CAM/L COMP	1		*				
5	V720 - 102 - 401 - 80	O - RING/P18	1		*				
6	1427 - 310 - 003 - 10	DRUM/BRAKE	1		*				
7	V704 - 140 - 022 - 00	RING,SNAP/22 C	1		*				
8	1600 - 310 - 270 - 00	BRAKE,SHOE ASSY	1		*				
9	1427 - 310 - 001 - 00	SPRING,TENSION	2		*				
10	1427 - 310 - 220 - 10	COVER,BRAKE	1		*				
11	1427 - 310 - 270 - 00	PIN/BRAKE CAM/R COMP	1		*				
12	V720 - 102 - 401 - 80	O - RING/P18	1		*				
13	1427 - 310 - 003 - 10	DRUM/BRAKE	1		*				
14	V704 - 140 - 022 - 00	RING,SNAP/22 C	1		*				
15	V211 - 260 - 802 - 00	BOLT,SEMS (S)	10		*				
16	V201 - 360 - 804 - 00	BOLT/M8X40	2		*				
17	V304 - 260 - 008 - 00	NUT/M 8	2		*				
18	V401 - 160 - 008 - 00	WASHER,SP/M 8	2		*				
19	V704 - 140 - 025 - 00	RING,SNAP/25 C	2		*				
20	1560 - 404 - 002 - 30	SPRING	2		*				

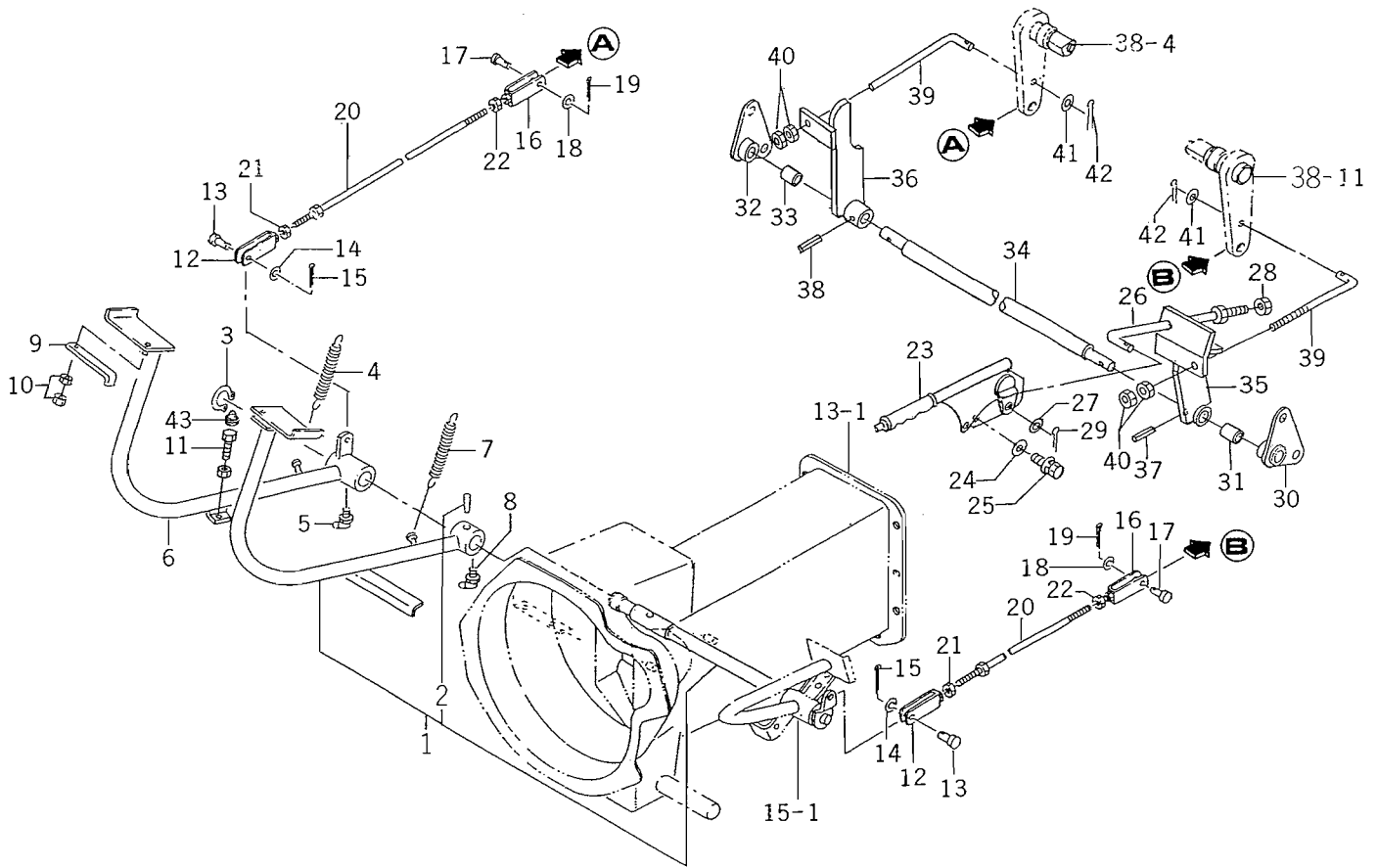
FIG. 40 BRAKE PEDAL SYSTEM (FE1)



1672-312

KEY	PART CODE	DESCRIPTION	QTY	TYPE OF MODEL		I T C	C O L	G R P	REMARKS
				TM215	TM217				
1	1672 - 312 - 200 - 00	PEDAL/BRAKE/LH SET	1		*				
2	V511 - 100 - 805 - 00	PIN,TAPER/8X50	1		*				
3	V704 - 140 - 022 - 00	RING,SNAP/22 C	1		*				
4	1432 - 616 - 002 - 00	RUBBER,CUSHION	2		*				
5	1672 - 312 - 220 - 10	PEDAL/BRAKE/RH COMP	1		*				
6	V763 - 150 - 000 - 00	NIPPLE,GREASE/PT1/8	2		*				
7	1675 - 312 - 051 - 00	LOCKPLATE	1		*				
8	V411 - 260 - 008 - 00	WASHER,PL/M 8	1		*				
9	P120 - 605 - 031 - 00	U - NUT	1		*				
10	1415 - 312 - 500 - 00	YOKE,LH	2		*				
11	1415 - 312 - 600 - 00	YOKE,RH	2		*				
12	1404 - 312 - 006 - 00	PIN,YOKE A	4		*				
13	V411 - 260 - 008 - 00	WASHER,PL/M 8	4		*				
14	V500 - 162 - 002 - 00	PIN,SPLIT/2 X20	4		*				
15	1672 - 312 - 250 - 00	ROD/BRAKE COMP	2		*				
16	1560 - 132 - 007 - 30	NUT/M8	2		*				
17	V304 - 260 - 008 - 00	NUT/M 8	2		*				
18	1672 - 312 - 230 - 10	ARM/PARKING COMP	1		*				
19	V305 - 260 - 012 - 00	NUT/M12	1		*				
20	V304 - 260 - 010 - 00	NUT	2		*				
21	3631 - 671 - 003 - 00	SPRING,ROD COVER	1		*				
22	1672 - 312 - 001 - 00	TUBE/10X13X30	1		*				

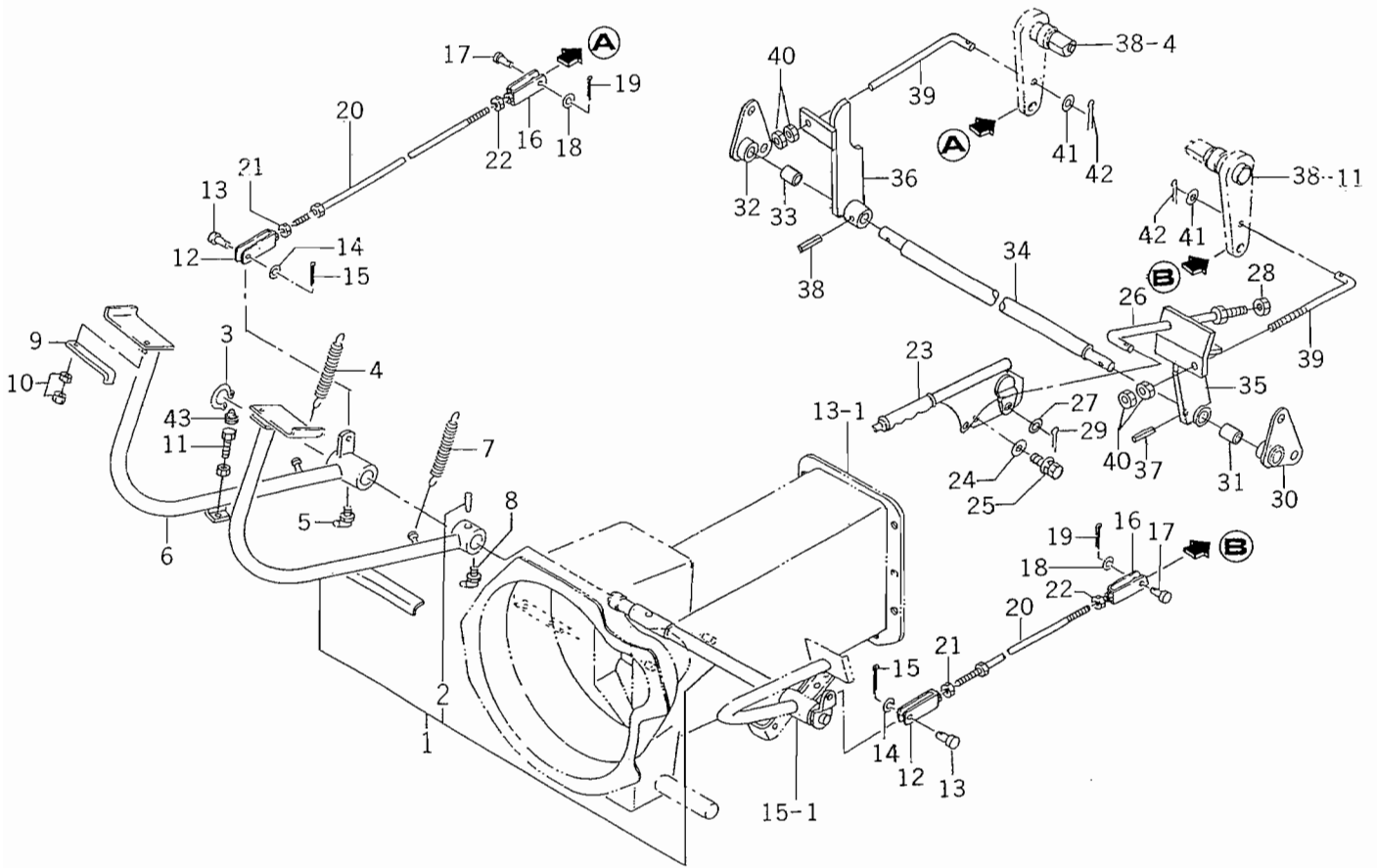
FIG. 41 BRAKE/MECHANICAL PEDAL SYSTEM (FE4)



1682-312A

KEY	PART CODE	DESCRIPTION	QTY	TYPE OF MODEL		I T C	C O L	G R P	REMARKS
				TM215	TM217				
1	1682 - 312 - 320 - 10	PEDAL/BRAKE/LH SET	1	*	*				
2	V511 - 100 - 805 - 00	PIN,TAPER/8X50	1	*	*				
3	V704 - 140 - 022 - 00	RING,SNAP/22 C	1	*	*				
4	1105 - 106 - 001 - 00	SPRING/HC094	1	*	*				
5	V763 - 150 - 000 - 00	NIPPLE,GREASE/PT1/8	1	*	*				
6	1682 - 312 - 240 - 20	PEDAL/BRAKE/RH COMP	1	*	*				
7	1105 - 106 - 001 - 00	SPRING/HC094	1	*	*				
8	V763 - 150 - 000 - 00	NIPPLE,GREASE/PT1/8	1	*	*				
9	1675 - 312 - 051 - 00	LOCKPLATE	1	*	*				
10	V304 - 260 - 008 - 00	NUT/M 8	2	*	*				
11	1672 - 122 - 003 - 00	BOLT/TRIMED	1	*	*				
12	1415 - 312 - 500 - 00	YOKE,LH	2	*	*				
13	1404 - 312 - 006 - 00	PIN,YOKÉ A	2	*	*				
14	V411 - 260 - 008 - 00	WASHER,PL/M 8	2	*	*				
15	V500 - 162 - 002 - 00	PIN,SPLIT/2 X20	2	*	*				
16	1510 - 328 - 260 - 00	YOKE COMP	2	*	*				
17	1404 - 312 - 006 - 00	PIN,YOKÉ A	2	*	*				
18	V411 - 260 - 008 - 00	WASHER,PL/M 8	2	*	*				
19	V500 - 162 - 002 - 00	PIN,SPLIT/2 X20	2	*	*				
20	1682 - 312 - 211 - 10	ROD/BRAKE	2	*	*				
21	1560 - 132 - 007 - 30	NUT/M8	2	*	*				
22	V304 - 260 - 008 - 00	NUT/M 8	2	*	*				
23	1682 - 312 - 260 - 00	LEVER/PARKING COMP	1	*	*				
24	2144 - 801 - 008 - 00	WASHER,/08X22X03	2	*	*				
25	V211 - 360 - 802 - 50	BOLT,SEMS	2	*	*				

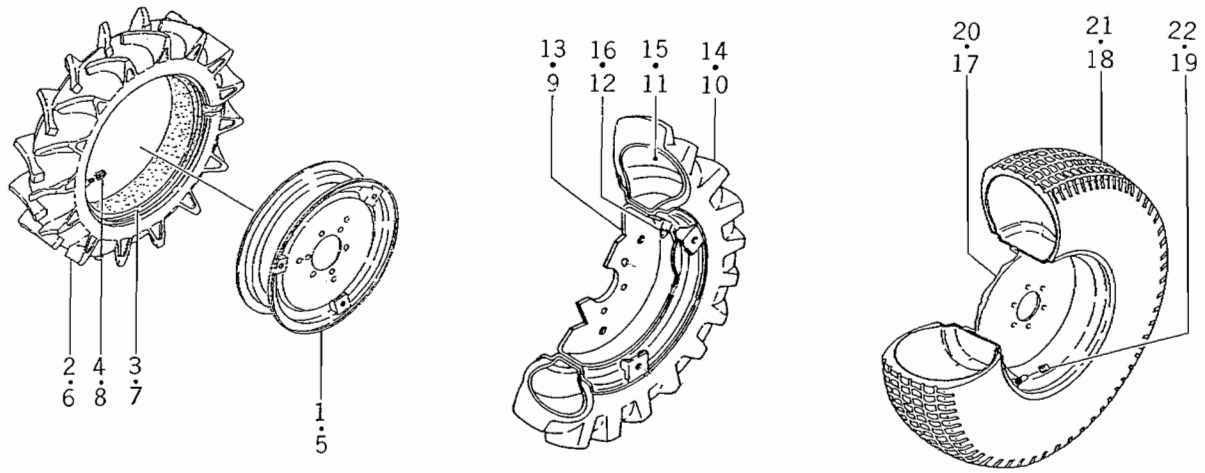
FIG. 41 BRAKE/MECHANICAL PEDAL SYSTEM (FE4)



1682-312A

KEY	PART CODE	DESCRIPTION	QTY	TYPE OF MODEL		I T C	C O L	G R P	REMARKS
				TM215	TM217				
26	1682 - 312 - 005 - 00	ROD/150	1	*	*				
27	V411 - 260 - 008 - 00	WASHER,PL/M 8	1	*	*				
28	V304 - 260 - 008 - 00	NUT/M 8	2	*	*				
29	V500 - 162 - 502 - 00	PIN,SPLIT/2.5X20	1	*	*				
30	1682 - 312 - 300 - 00	HOLDER/SHAFT/LH ASSY	1	*	*				
31	3668 - 612 - 001 - 00	BUSH	1	*	*				
32	1682 - 312 - 310 - 00	HOLDER/SHAFT/RH ASSY	1	*	*				
33	3668 - 612 - 001 - 00	BUSH	1	*	*				
34	1682 - 312 - 004 - 10	SHAFT/PARKING	1	*	*	1			
35	1682 - 312 - 230 - 10	ARM/PARKING/LH COMP	1	*	*				
36	1682 - 312 - 250 - 00	ARM/PARKING/RH COMP	1	*	*				
37	V580 - 140 - 802 - 80	PIN,SPRING/8 X28 W	1	*	*				
38	V580 - 140 - 502 - 80	PIN,SPRING/5 X28 W	1	*	*				
39	1682 - 312 - 005 - 00	ROD/150	2	*	*				
40	V305 - 260 - 008 - 00	NUT/M 8	4	*	*				
41	V411 - 260 - 008 - 00	WASHER,PL/M 8	4	*	*				
42	V500 - 162 - 502 - 00	PIN,SPLIT/2.5X20	2	*	*				
43	1432 - 616 - 002 - 00	RUBBER,CUSHION	2	*	*				

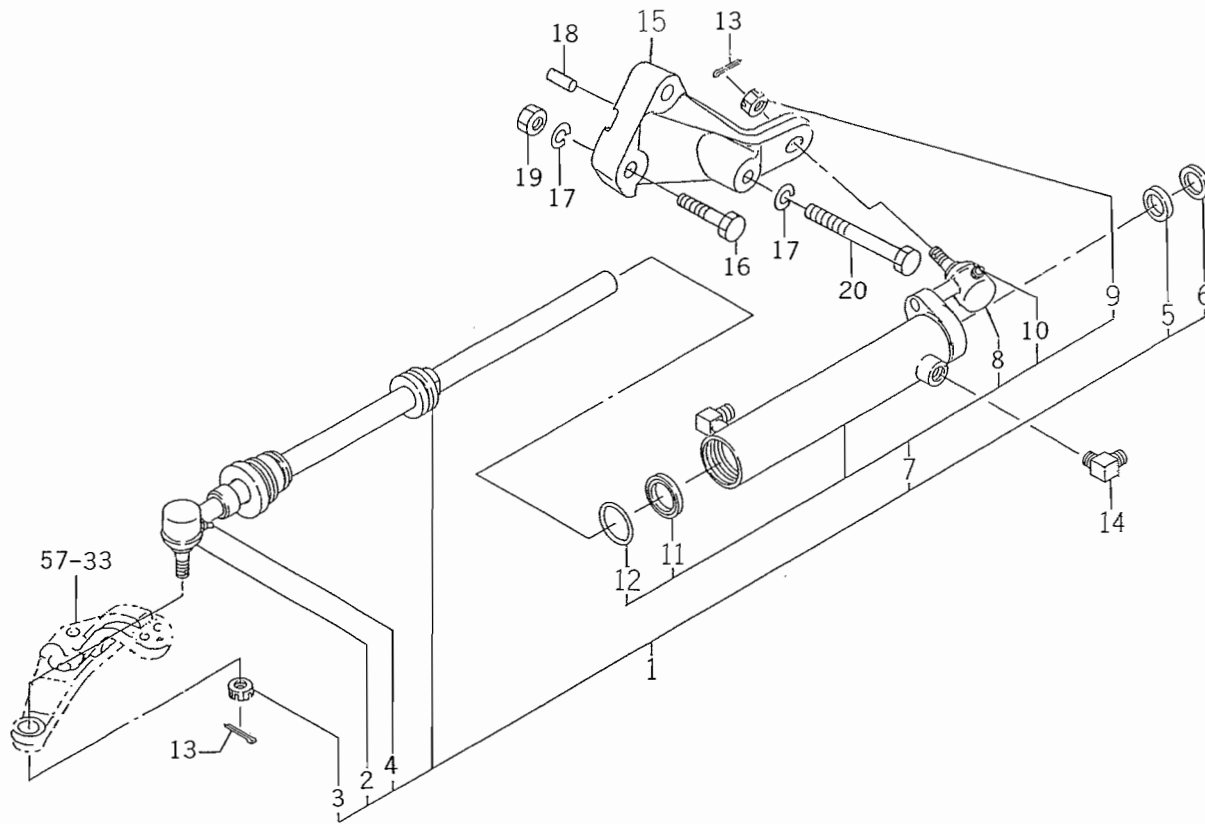
FIG. 42 REAR WHEEL SYSTEM (OPTION)



1434-317A

KEY	PART CODE	DESCRIPTION	QTY	TYPE OF MODEL		I T C	C O L	G R P	REMARKS
				TM215	TM217				
1	1434 - 317 - 201 - 10	WHEEL/16X5JA COMP	1	T					
2	V888 - 240 - 081 - 60	TIRE/4P 8 - 16	1	T					
3	V889 - 000 - 081 - 60	TUBE/ 8 - 16	1	T					
4	V999 - 200 - 003 - 00	CAP,TIRE VALVE	1	T					
5	1434 - 317 - 201 - 10	WHEEL/16X5JA COMP	1	T					
6	V888 - 240 - 081 - 60	TIRE/4P 8 - 16	1	T					
7	V889 - 000 - 081 - 60	TUBE/ 8 - 16	1	T					
8	V999 - 200 - 003 - 00	CAP,TIRE VALVE	1	T					
9	1435 - 317 - 201 - 10	WHEEL/18XW6 COMP	1		T				
10	V888 - 240 - 081 - 80	TIRE/4P 8 - 18	1		T				
11	V889 - 000 - 081 - 80	TUBE/ 8 - 18	1		T				
12	V999 - 200 - 003 - 00	CAP,TIRE VALVE	1		T				
13	1435 - 317 - 201 - 10	WHEEL/18XW6 COMP	1		T				
14	V888 - 240 - 081 - 80	TIRE/4P 8 - 18	1		T				
15	V889 - 000 - 081 - 80	TUBE/ 8 - 18	1		T				
16	V999 - 200 - 003 - 00	CAP,TIRE VALVE	1		T				
17	1434 - 317 - 290 - 00	RIM,R.WHEEL/10LBX15	1	T	T				
18	1434 - 317 - 281 - 00	TIRE,TURF29X12.00X15	1	T	T				
19	V999 - 200 - 003 - 00	CAP,TIRE VALVE	1	T	T				
20	1434 - 317 - 290 - 00	RIM,R.WHEEL/10LBX15	1	T	T				
21	1434 - 317 - 281 - 00	TIRE,TURF29X12.00X15	1	T	T				
22	V999 - 200 - 003 - 00	CAP,TIRE VALVE	1	T	T				

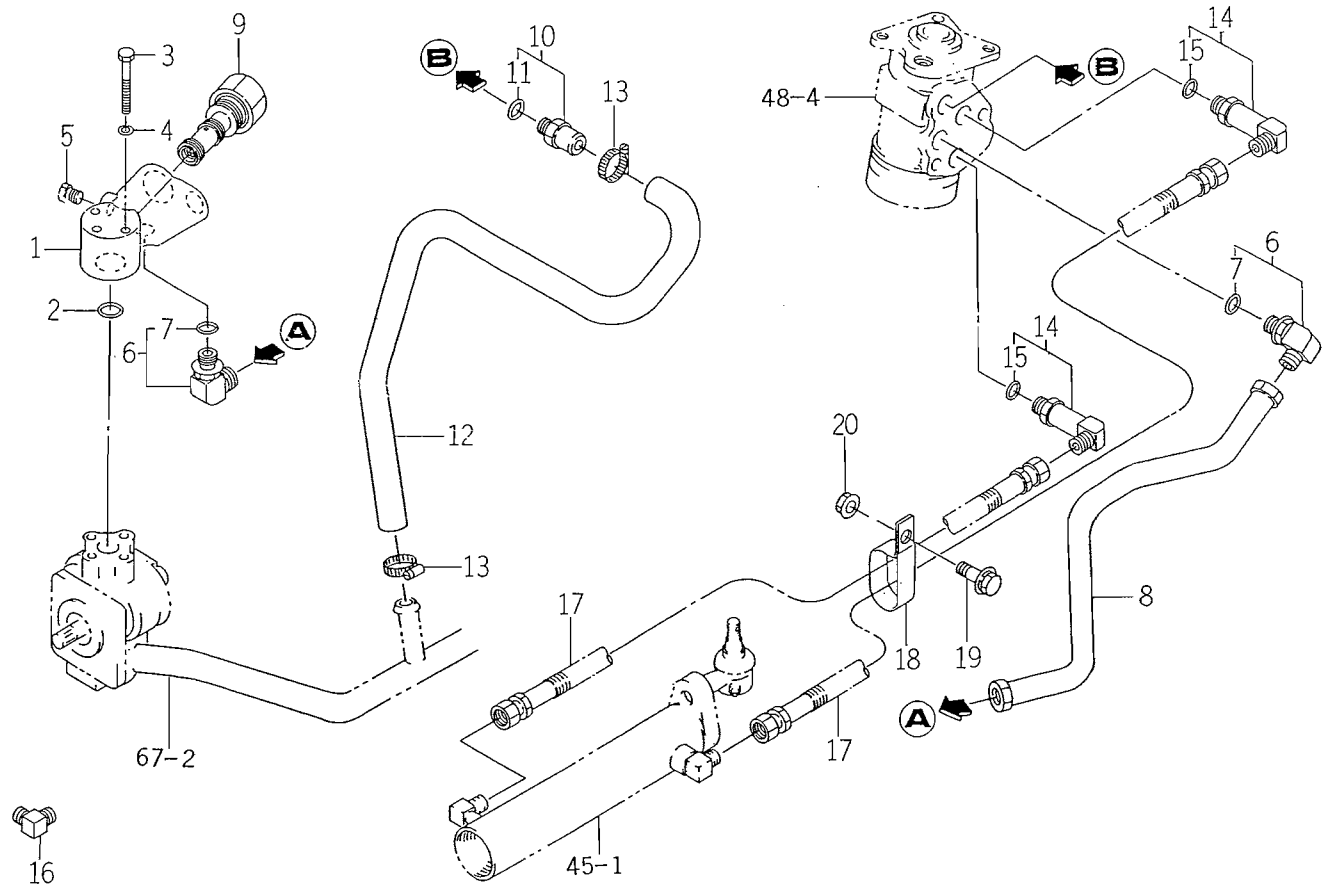
FIG. 45 CYLINDER SYSTEM (U TYPE)



1682-403

KEY	PART CODE	DESCRIPTION	QTY	TYPE OF MODEL		I T C	C O L	G R P	REMARKS
				TM215	TM217				
1	1682 - 403 - 200 - 20	CYLINDER/TIEROD ASSY	1	*	*				
2	1404 - 402 - 001 - 00	COVER,DUST	1	*	*				
3	V327 - 262 - 110 - 00	NUT/M10X1.25	1	*	*				
4	1427 - 433 - 241 - 00	NIPPLE,GREASE/PT1/4	1	*	*				
5	K185 - 031 - 302 - 00	SEAL/ROD	1	*	*				
6	K185 - 031 - 303 - 00	SEAL/DUST	1	*	*				
7	1682 - 403 - 250 - 10	ROD/PISTON ASSY	1	*	*				
8	1404 - 402 - 001 - 00	COVER,DUST	1	*	*				
9	V327 - 262 - 110 - 00	NUT/M10X1.25	1	*	*				
10	1427 - 433 - 241 - 00	NIPPLE,GREASE/PT1/4	1	*	*				
11	1672 - 403 - 003 - 00	PACKING/PISTON	1	*	*				
12	V720 - 113 - 502 - 90	RING/O	1	*	*				
13	V500 - 162 - 002 - 50	PIN,SPLIT/2 X25	2	*	*				
14	3768 - 185 - 022 - 10	ADAPTER (90° /PUMP)	1	*	*				
15	1682 - 403 - 001 - 30	STAY/CYLINDER	1	*	*				
16	V211 - 561 - 003 - 50	BOLT/S	1	*	*				
17	V401 - 160 - 010 - 00	WASHER,SP/M10	2	*	*				
18	V523 - 101 - 002 - 40	PIN	2	*	*				
19	V304 - 260 - 010 - 00	NUT	1	*	*				
20	V201 - 361 - 008 - 50	BOLT	1	*	*				

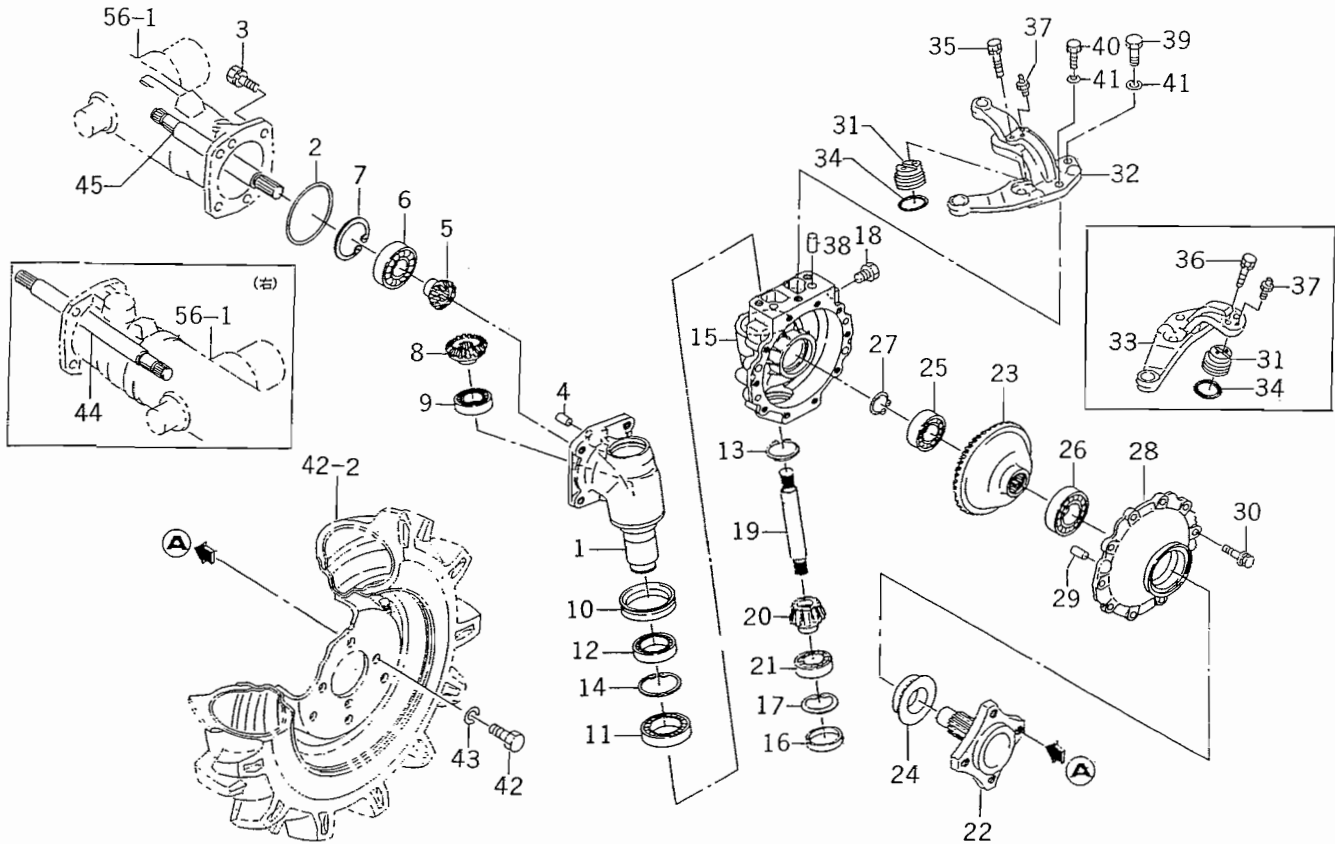
FIG. 49 PIPING SYSTEM (U TYPE)



1682-408

KEY	PART CODE	DESCRIPTION	QTY	TYPE OF MODEL		I T C	C O L	G R P	REMARKS
				TM215	TM217				
1	1672 - 408 - 001 - 30	METAL/U	1	*	*	1			
2	V720 - 112 - 402 - 00	O - RING/P20	1	*	*				
3	V200 - 260 - 605 - 50	BOLT/M 6X55	3	*	*				
4	V401 - 160 - 006 - 00	WASHER,SP/M 6	3	*	*				
5	1326 - 706 - 002 - 10	PLUG,DRAIN	2	*	*				
6	1672 - 408 - 210 - 00	ADAPTER/L/PF1/4 ASSY	2	*	*				
7	V720 - 112 - 401 - 10	RING/O	2	*	*				
8	1672 - 408 - 200 - 00	PIPE/U COMP	1	*	*				
9	K233 - 003 - 000 - 00	VALVE/FLOCON ASSY	1	*	*				FIG 108
10	1672 - 408 - 230 - 00	ADAPTER/PF1/4 ASSY	1	*	*				
11	V720 - 112 - 401 - 10	RING/O	1	*	*				
12	1672 - 408 - 002 - 00	HOSE/TANK	1	*	*				
13	J061 - 116 - 025 - 00	CLAMP/WORM/16 - 25	2	*	*				
14	P113 - 211 - 330 - 00	ELBOW/90° /L ASSY	2	*	*				
15	V720 - 112 - 401 - 10	RING/O	2	*	*				
16	3768 - 185 - 022 - 10	ADAPTER (90° /PUMP)	2	*	*				
17	1682 - 408 - 220 - 00	HOSE/DERIVERY ASSY	2	*	*				
18	1444 - 101 - 016 - 10	CLAMP,RADIATOR HOSE	1	*	*				
19	V211 - 360 - 802 - 00	BOLT (SP) M8X20	1	*	*				
20	V362 - 260 - 008 - 00	NUT/WASHER	1	*	*				

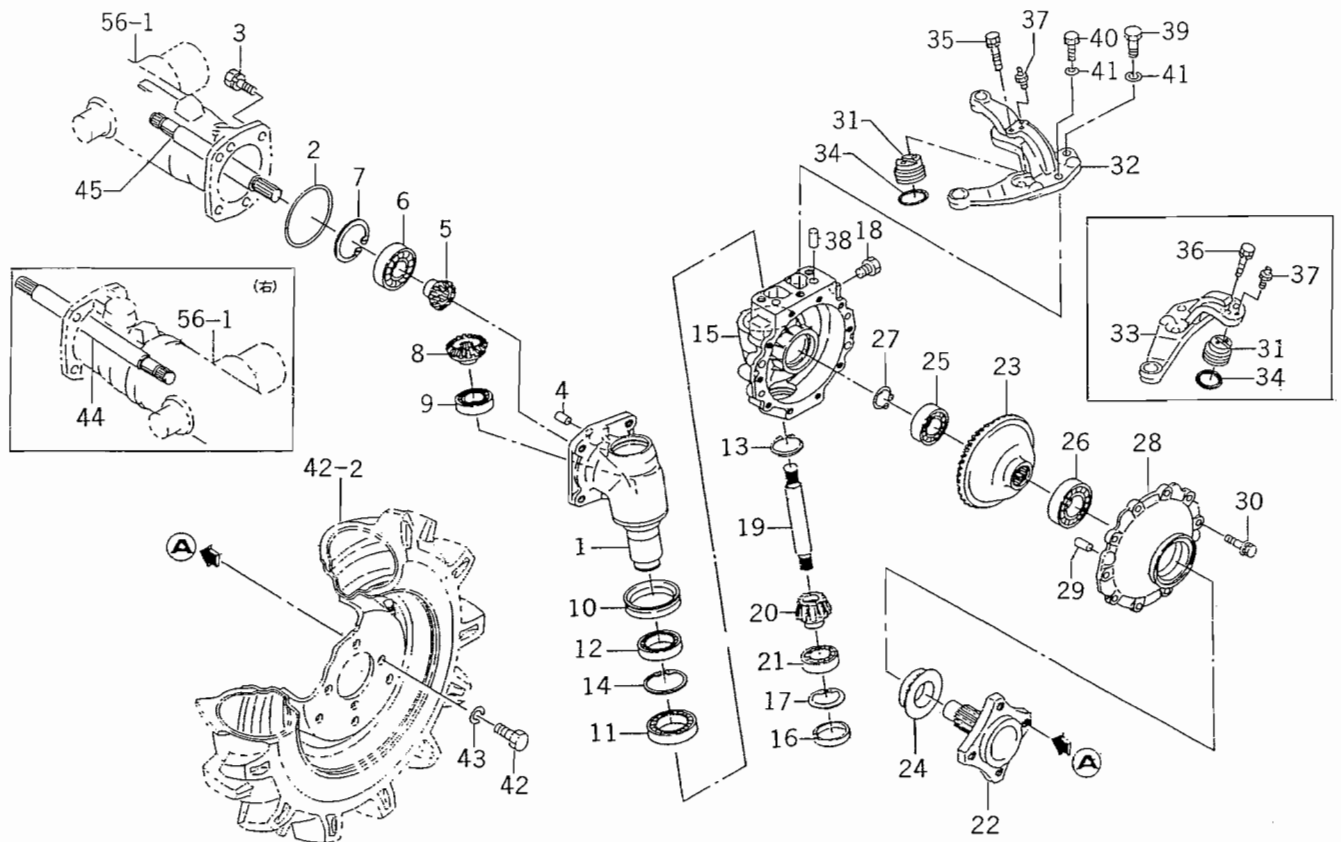
FIG. 57 FINAL GEAR AND FINAL DRIVE SHAFT SYSTEM



1682-434

KEY	PART CODE	DESCRIPTION	QTY	TYPE OF MODEL		I T C	C O L	G R P	REMARKS
				TM215	TM217				
1	1682 - 434 - 001 - 20	CASE/FINAL	2	*	*				
2	V721 - 103 - 109 - 00	O - RING/G90	2	*	*				
3	V211 - 561 - 003 - 00	BOLT/M10X30	8	*	*				
4	V523 - 101 - 002 - 40	PIN	4	*	*				
5	1672 - 434 - 002 - 00	GEAR/BEVEL/11	2	*	*				
6	V600 - 110 - 630 - 50	BEARING,RB/6305	2	*	*				
7	V707 - 140 - 062 - 00	RING/SNAP	2	*	*				
8	1672 - 434 - 003 - 00	GEAR/BEVEL/15	2	*	*				
9	V600 - 110 - 600 - 50	BEARING,RB/6005	2	*	*				
10	1488 - 413 - 023 - 10	SEAL,OIL	2	*	*				
11	V600 - 110 - 690 - 70	BEARING	2	*	*				
12	V600 - 110 - 600 - 80	BEARING,RB/6008	2	*	*				
13	V704 - 140 - 035 - 00	RING,SNAP/35 C	2	*	*				
14	V707 - 140 - 055 - 00	RING/SNAP	2	*	*				
15	1612 - 434 - 004 - 20	CASE/FINAL	2	*	*				
16	1564 - 201 - 003 - 00	CAP/SEAL/47	2	*	*				
17	V705 - 140 - 047 - 00	RING,SNAP/47 C	2	*	*				
18	7955 - 201 - 026 - 00	PLUG,DRAIN (1/4)	4	*	*				
19	1612 - 434 - 006 - 00	SHAFT	2	*	*				
20	1612 - 434 - 007 - 00	GEAR/BEVEL/12	2	*	*				
21	V600 - 110 - 600 - 50	BEARING,RB/6005	2	*	*				
22	1546 - 434 - 001 - 10	SHAFT,FRONT WHEEL	2	*	*				
23	1612 - 434 - 008 - 00	GEAR/BEVEL/47	2	*	*				
24	1491 - 434 - 017 - 00	SEAL/QLNY35571116	2	*	*				
25	V600 - 110 - 620 - 50	BEARING,RB/6205	2	*	*				

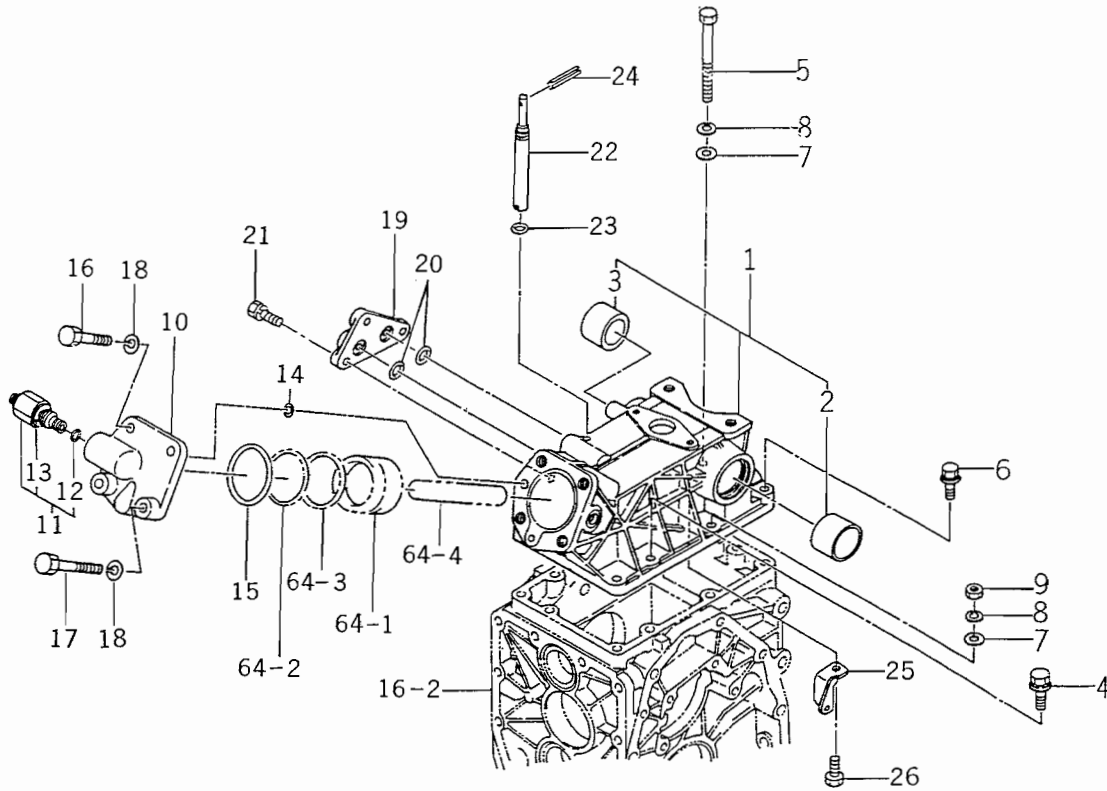
FIG. 57 FINAL GEAR AND FINAL DRIVE SHAFT SYSTEM



1682-434

KEY	PART CODE	DESCRIPTION	QTY	TYPE OF MODEL		I T C	C O L	G R P	REMARKS
				TM215	TM217				
26	V600 - 110 - 620 - 60	BEARING,RB/6206	2	*	*				
27	V704 - 140 - 025 - 00	RING,SNAP/25 C	2	*	*				
28	1612 - 434 - 009 - 00	COVER/WHEEL	2	*	*				
29	V523 - 101 - 002 - 40	PIN	4	*	*				
30	V211 - 360 - 802 - 50	BOLT,SEMS	20	*	*				
31	1682 - 434 - 006 - 30	PIN/47X19	2	*	*	1			
32	1682 - 434 - 004 - 10	ARM/KNUCKLE/LH	1	*	*				
33	1682 - 434 - 005 - 20	ARM/KNUCKLE/RH	1	*	*	3			
34	V720 - 103 - 504 - 10	O - RING /P41	2	*	*				
35	V211 - 560 - 802 - 50	BOLT,SEMS/M8X25 7T	2	*	*				
36	V211 - 560 - 802 - 00	BOLT/M8X20	2	*	*				
37	V760 - 150 - 000 - 00	NIPPLE,GREASE	2	*	*				
38	V523 - 101 - 002 - 40	PIN	4	*	*				
39	V201 - 361 - 002 - 50	BOLT/M10X25	4	*	*				
40	V201 - 361 - 002 - 5B	BOLT/SEAL	2	*	*				
41	V401 - 160 - 010 - 00	WASHER,SP/M10	6	*	*				
42	V201 - 361 - 202 - 50	BOLT/M12X25	8	*	*				
43	V401 - 160 - 012 - 00	WASHER,SP/M12	8	*	*				
44	1617 - 435 - 002 - 00	SHAFT	1	*	*				
45	1614 - 435 - 004 - 00	SHAFT	1	*	*				

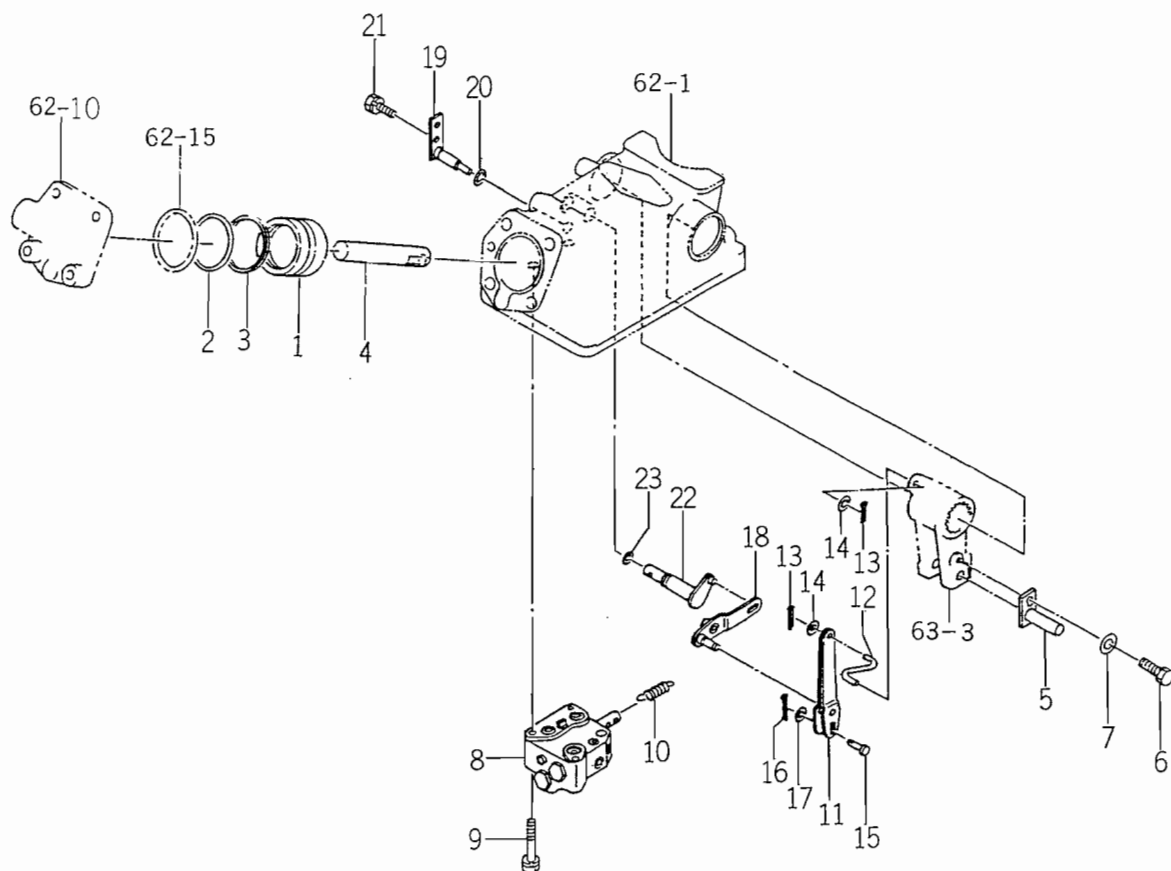
FIG. 62 CYLINDER CASE SYSTEM



1682-501

KEY	PART CODE	DESCRIPTION	QTY	TYPE OF MODEL		I T C	C O L	G R P	REMARKS
				TM215	TM217				
1	1579 - 501 - 200 - 00	CASE,SYLINDER	1	*	*				
2	1480 - 501 - 003 - 00	BUSH/40X43X30	1	*	*				
3	1427 - 501 - 003 - 00	BUSH/35X39X30	1	*	*				
4	V211 - 661 - 004 - 00	BOLT/SP	4	*	*				
5	V201 - 361 - 010 - 00	BOLT/M10X100	1	*	*				
6	V211 - 661 - 004 - 50	BOLT/SP	2	*	*				
7	V411 - 260 - 010 - 00	WASHER/M10	3	*	*				
8	V401 - 160 - 010 - 00	WASHER,SP/M10	3	*	*				
9	V304 - 460 - 010 - 00	NUT/M10	2	*	*				
10	1579 - 501 - 002 - 00	HEAD,SYLINDER	1	*	*				
11	K250 - 001 - 000 - 00	VALVE,RELIEF ASSY	1	*	*				
12	V720 - 112 - 401 - 20	O - RING/P12	1	*	*				
13	K250 - 001 - 009 - 00	PACKING	1	*	*				
14	V720 - 112 - 401 - 20	O - RING/P12	2	*	*				
15	V721 - 113 - 106 - 00	O - RING G60	1	*	*				
16	V201 - 361 - 204 - 00	BOLT/M12X40	2	*	*				
17	V201 - 361 - 206 - 00	BOLT	2	*	*				
18	V401 - 160 - 012 - 00	WASHER,SP/M12	4	*	*				
19	1434 - 501 - 003 - 00	COVER,SUB CONTROL	1	*	*				
20	V720 - 112 - 401 - 20	O - RING/P12	2	*	*				
21	V211 - 260 - 802 - 50	BOLT/S	3	*	*				
22	1434 - 501 - 004 - 00	PIN,ADJ	1	*	*				
23	V720 - 101 - 900 - 70	O - RING/P 7	1	*	*				
24	V580 - 140 - 403 - 60	PIN,SPRING 3X32	1	*	*				
25	1434 - 501 - 005 - 00	HOOK,SPRING	1	*	*				

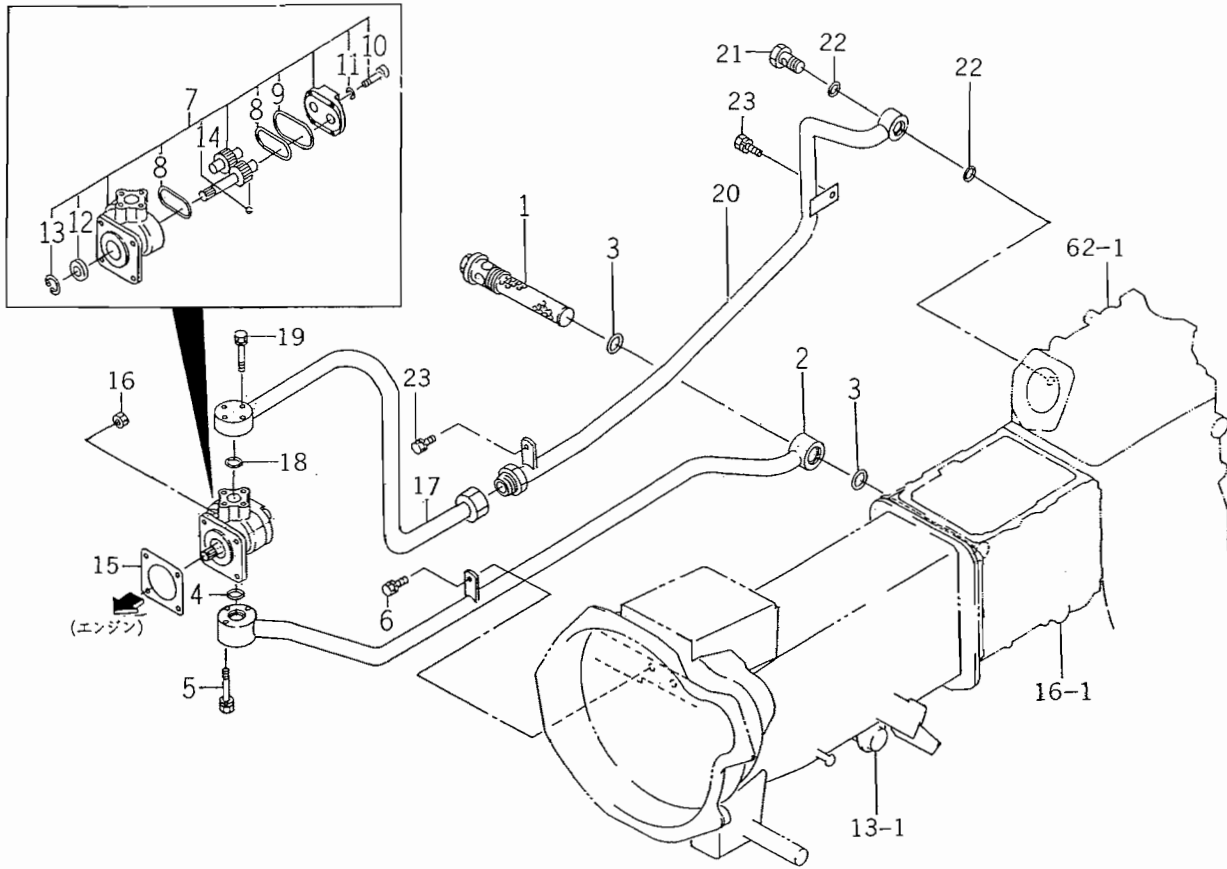
FIG. 64 CYLINDER SYSTEM



1612-503

KEY	PART CODE	DESCRIPTION	QTY	TYPE OF MODEL		I T C	C O L	G R P	REMARKS
				TM215	TM217				
1	1421 - 507 - 002 - 10	PISTON	1	*	*				
2	V720 - 105 - 705 - 50	O - RING/P55	1	*	*				
3	1416 - 501 - 011 - 00	RING, BACKUP	1	*	*				
4	1544 - 503 - 001 - 20	ROD	1	*	*				
5	1544 - 503 - 200 - 20	PIN, ROD COMP	1	*	*				
6	V211 - 561 - 001 - 60	BOLT (S) 7	1	*	*				
7	V411 - 260 - 010 - 00	WASHER/M10	1	*	*				
8	K211 - 001 - 000 - 00	VALVE CONTROL ASSY	1	*	*				FIG 107
9	V211 - 260 - 805 - 00	BOLT/M8X50	3	*	*				
10	1434 - 501 - 006 - 00	SPRING, TENSION/31	1	*	*				
11	1672 - 503 - 200 - 00	LINK/SPOOL COMP	1	*	*				
12	1434 - 503 - 001 - 00	LINK, CRANK	1	*	*				
13	V500 - 162 - 001 - 50	PIN, SPLIT/2 X15	2	*	*				
14	V411 - 260 - 006 - 00	WASHER / M6	2	*	*				
15	1434 - 503 - 002 - 00	PIN/5X17	1	*	*				
16	V500 - 162 - 001 - 50	PIN, SPLIT/2 X15	1	*	*				
17	V411 - 260 - 005 - 00	WASHER, PL/M 5	1	*	*				
18	1672 - 503 - 210 - 00	LINK/SUPPORT COMP	1	*	*				
19	1434 - 503 - 250 - 10	PIN/SUPPORT COMP	1	*	*				
20	V720 - 101 - 900 - 70	O - RING/P 7	1	*	*				
21	V211 - 260 - 801 - 60	BOLT, SEMS (S) M8X16	1	*	*				
22	1434 - 503 - 260 - 20	LINK SHIFT ARM	1	*	*				
23	V720 - 102 - 401 - 00	O - RING/P10A	1	*	*				

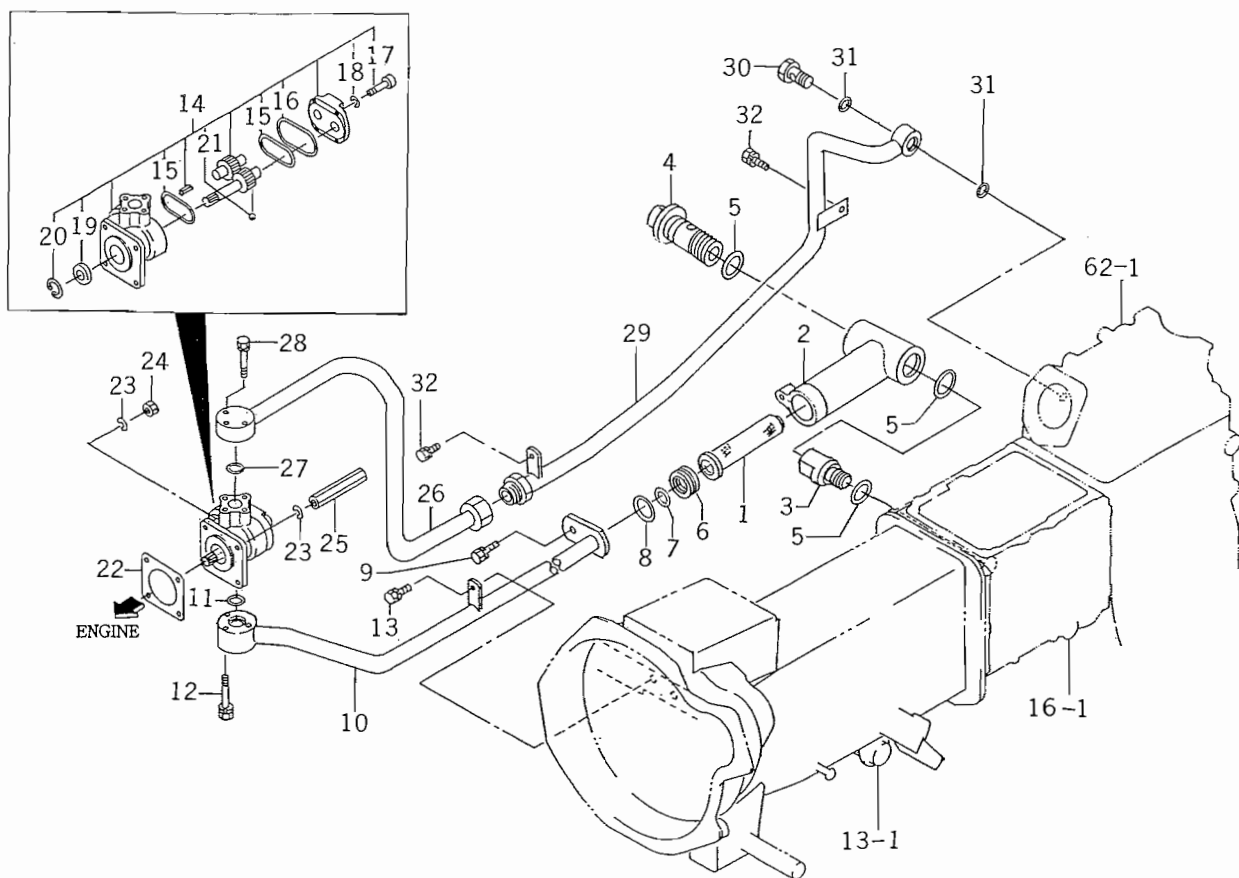
FIG. 67 PIPING SYSTEM (FE1)



1672-508

KEY	PART CODE	DESCRIPTION	QTY	TYPE OF MODEL		I T C	C O L	G R P	REMARKS
				TM215	TM217				
1	1427 - 503 - 006 - 10	FILTER,SUCTION	1		*				
2	1672 - 508 - 200 - 10	PIPE/SUCTION COMP	1		*				
3	V720 - 103 - 502 - 80	O - RING/P28	2		*				
4	V720 - 112 - 402 - 00	O - RING/P20	1		*				
5	V210 - 260 - 604 - 50	BOLT,SEMS/M64X45	3		*				
6	V211 - 260 - 801 - 60	BOLT,SEMS (S) M8X16	1		*				
7	1672 - 508 - 260 - 10	PUMP/GEAR ASSY	1		*				
8	1672 - 508 - 262 - 00	GASKET	2		*				
9	1672 - 508 - 263 - 00	GASKET	1		*				
10	V220 - 540 - 802 - 50	SCREW/SOCKET	4		*				
11	1672 - 508 - 264 - 00	WASHER	4		*				
12	V744 - 114 - 280 - 70	SEAL,OIL	1		*				
13	V705 - 140 - 028 - 00	RING,SNAP/28 C	1		*				
14	V682 - 200 - 001 - 00	BALL	2		*				
15	1404 - 503 - 006 - 00	PACKING,OIL PUMP	1		*				
16	1560 - 515 - 004 - 40	NUT/M8	1		*				
17	1672 - 508 - 220 - 10	PIPE/DERIVERY/F COMP	1		*				
18	V720 - 112 - 402 - 00	O - RING/P20	1		*				
19	V210 - 260 - 603 - 00	BOLT (S) M6X30	3		*				
20	1672 - 508 - 230 - 20	PIPE/DERIVERY/R COMP	1		*	1			
21	1415 - 505 - 014 - 00	BOLT,CONNECTOR	1		*				
22	V720 - 112 - 401 - 80	O - RING/P18	2		*				
23	V211 - 260 - 801 - 60	BOLT,SEMS (S) M8X16	1		*				

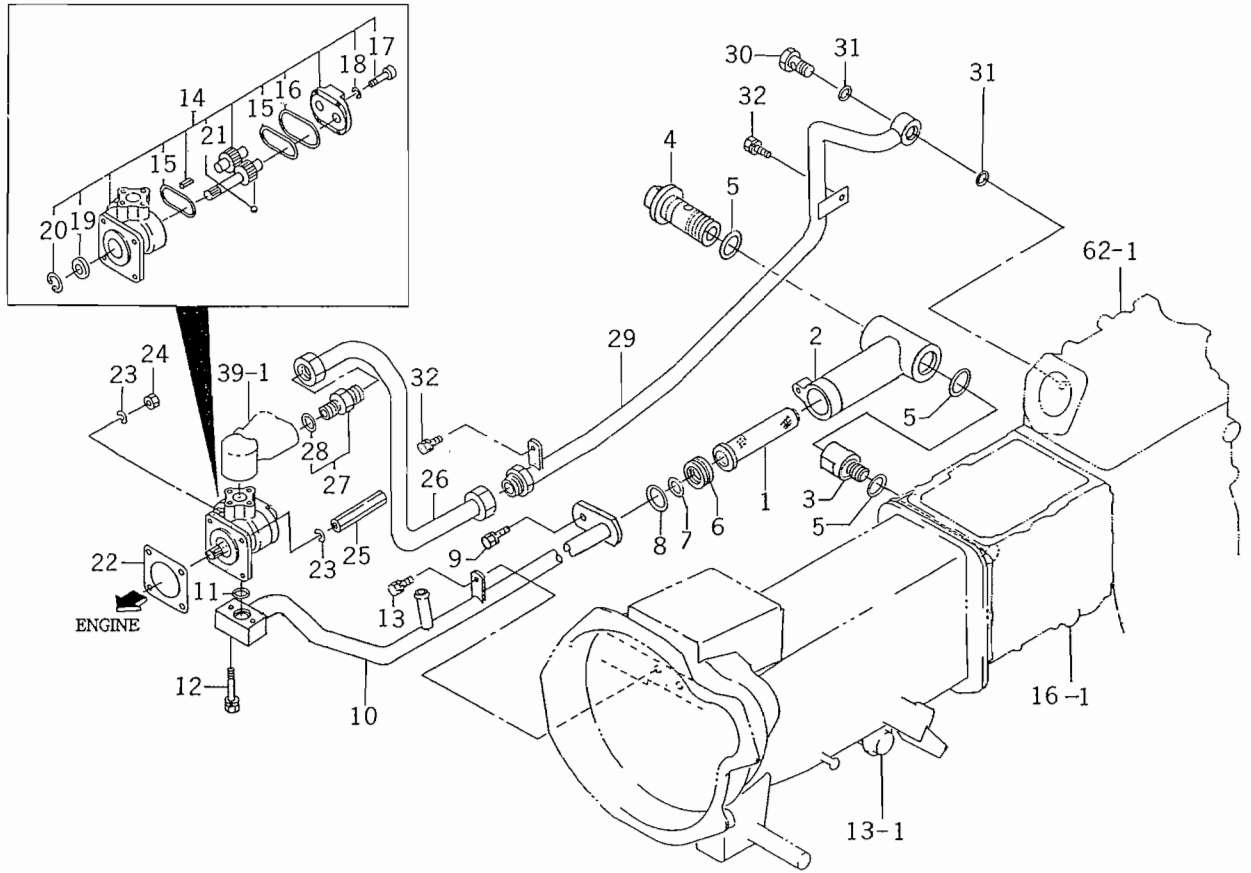
FIG. 68 PIPING SYSTEM (FE4)



1682-506

KEY	PART CODE	DESCRIPTION	QTY	TYPE OF MODEL		I T C	C O L	G R P	REMARKS
				TM215	TM217				
1	1434 - 503 - 320 - 00	FILTER,OIL COMP	1	*	*				
2	1434 - 503 - 004 - 10	CASE,OIL FILTER	1	*	*				
3	1682 - 508 - 001 - 00	SPACER	1	*	*				
4	1434 - 503 - 330 - 00	BOLT,SET COMP	1	*	*				
5	V720 - 103 - 502 - 80	O - RING/P28	3	*	*				
6	1682 - 508 - 002 - 00	SPACER	1	*	*				
7	V720 - 102 - 402 - 10	O - RING/P21	1	*	*				
8	V720 - 103 - 502 - 80	O - RING/P28	1	*	*				
9	V211 - 260 - 802 - 00	BOLT,SEMS (S)	1	*	*				
10	1682 - 508 - 200 - 10	PIPE/SUCTION COMP	1	*	*				
11	V720 - 112 - 402 - 00	O - RING/P20	1	*	*				
12	V210 - 260 - 604 - 50	BOLT,SEMS/M64X45	2	*	*				
13	V211 - 260 - 801 - 60	BOLT,SEMS (S) M8X16	1	*	*				
14	1672 - 508 - 270 - 10	PUMP/GEAR ASSY	1	*	*				
15	1672 - 508 - 262 - 00	GASKET	2	*	*				
16	1672 - 508 - 263 - 00	GASKET	1	*	*				
17	V220 - 540 - 802 - 50	SCREW/SOCKET	4	*	*				
18	1672 - 508 - 264 - 00	WASHER	4	*	*				
19	V744 - 114 - 280 - 70	SEAL,OIL	1	*	*				
20	V705 - 140 - 028 - 00	RING,SNAP/28 C	1	*	*				
21	V682 - 200 - 001 - 00	BALL	2	*	*				
22	1404 - 503 - 006 - 00	PACKING,OIL PUMP	1	*	*				
23	V401 - 160 - 008 - 00	WASHER,SP/M 8	4	*	*				
24	V304 - 260 - 008 - 00	NUT/M. 8	2	*	*				
25	1560 - 515 - 004 - 40	NUT/M8	2	*	*				

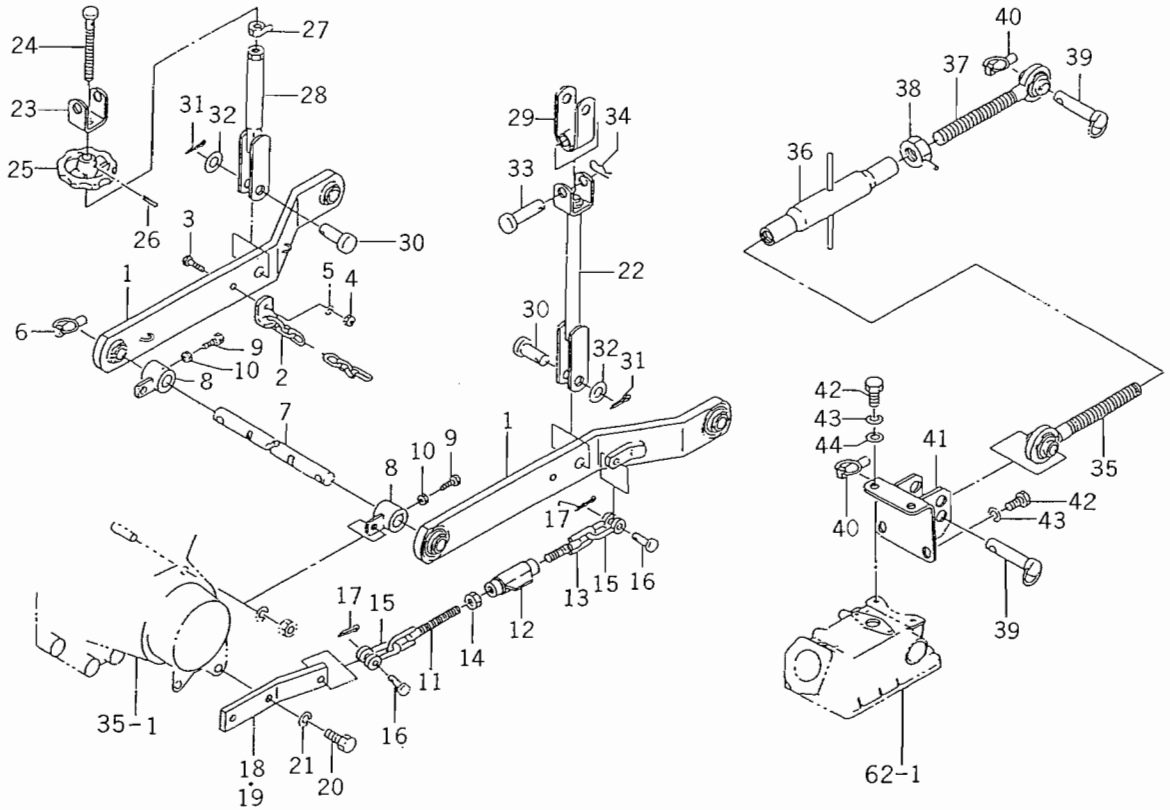
FIG. 69 PIPING SYSTEM (U TYPE)



1682-508A

KEY	PART CODE	DESCRIPTION	QTY	TYPE OF MODEL		I T C	C O L	G R P	REMARKS
				TM215	TM217				
1	1434 - 503 - 320 - 00	FILTER,OIL COMP	1	*	*				
2	1434 - 503 - 004 - 10	CASE,OIL FILTER	1	*	*				
3	1682 - 508 - 001 - 00	SPACER	1	*	*				
4	1434 - 503 - 330 - 00	BOLT,SET COMP	1	*	*				
5	V720 - 103 - 502 - 80	O - RING/P28	3	*	*				
6	1682 - 508 - 002 - 00	SPACER	1	*	*				
7	V720 - 102 - 402 - 10	O - RING/P21	1	*	*				
8	V720 - 103 - 502 - 80	O - RING/P28	1	*	*				
9	V211 - 260 - 802 - 00	BOLT,SEMS (S)	1	*	*				
10	1682 - 508 - 220 - 10	PIPE/SUCTION/U COMP	1	*	*				
11	V720 - 112 - 402 - 00	O - RING/P20	1	*	*				
12	V210 - 260 - 604 - 50	BOLT,SEMS/M64X45	2	*	*				
13	V211 - 260 - 801 - 60	BOLT,SEMS (S) M8X16	1	*	*				
14	1672 - 508 - 270 - 10	PUMP/GEAR ASSY	1	*	*				
15	1672 - 508 - 262 - 00	GASKET	2	*	*				
16	1672 - 508 - 263 - 00	GASKET	1	*	*				
17	V220 - 540 - 802 - 50	SCREW/SOCKET	4	*	*				
18	1672 - 508 - 264 - 00	WASHER	4	*	*				
19	V744 - 114 - 280 - 70	SEAL,OIL	1	*	*				
20	V705 - 140 - 028 - 00	RING,SNAP/28 C	1	*	*				
21	V682 - 200 - 001 - 00	BALL	2	*	*				
22	1404 - 503 - 006 - 00	PACKING,OIL PUMP	1	*	*				
23	V401 - 160 - 008 - 00	WASHER,SP/M 8	4	*	*				
24	V304 - 260 - 008 - 00	NUT/M 8	2	*	*				
25	1560 - 515 - 004 - 40	NUT/M8	2	*	*				

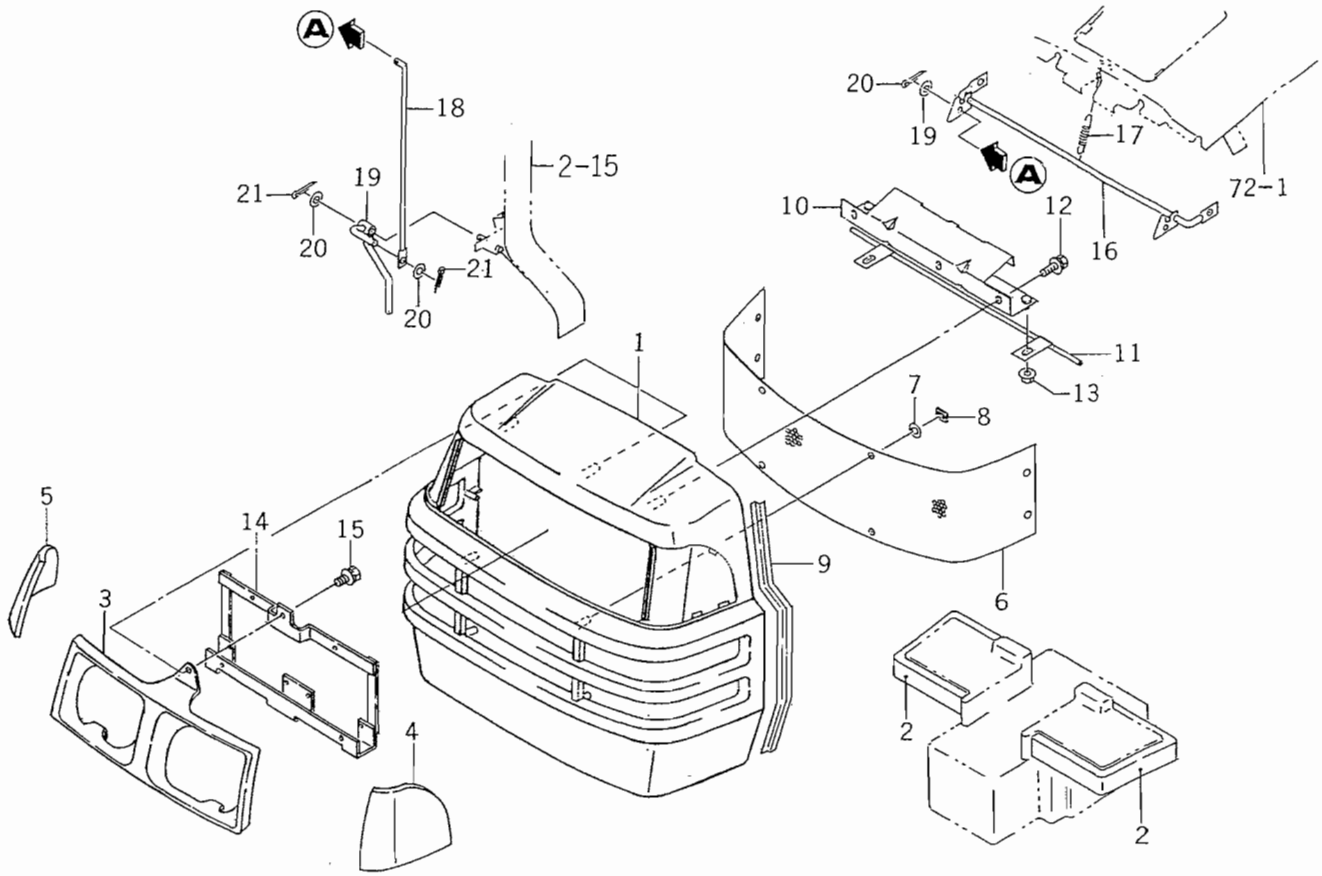
FIG. 70 3P LINK SYSTEM



1581-511B

KEY	PART CODE	DESCRIPTION	QTY	TYPE OF MODEL		I T C	C O L	G R P	REMARKS
				TM215	TM217				
1	1435 - 511 - 250 - 10	LINK/LOWER COMP	2	*	*				
2	1427 - 511 - 310 - 00	CHAIN,LW LINK	2	*	*				
3	V201 - 260 - 803 - 00	BOLT/M 8X30	2	*	*				
4	V304 - 260 - 008 - 00	NUT/M 8	2	*	*				
5	V401 - 160 - 008 - 00	WASHER,SP/M 8	2	*	*				
6	1421 - 502 - 002 - 00	PIN,LINK	2	*	*				
7	1600 - 514 - 001 - 00	PIN,/22X384	1	*	*				
8	1435 - 511 - 260 - 00	HUB,/22X40X37 COMP	2	*	*				
9	V201 - 360 - 802 - 50	BOLT/M 8X25	2	*	*				
10	V305 - 260 - 008 - 00	NUT/M 8	2	*	*				
11	1435 - 511 - 270 - 00	CHAIN,/CHECK,/148 COMP	2	*	*				
12	1427 - 511 - 320 - 00	TURNBUCKLE 12 COMP	2	*	*				
13	1427 - 511 - 220 - 00	CHAIN,CHECK RH	2	*	*				
14	V305 - 260 - 012 - 00	NUT/M12	2	*	*				
15	1427 - 511 - 002 - 00	SHACKLE	4	*	*				
16	1427 - 511 - 001 - 00	PIN,/10X32	4	*	*				
17	V500 - 162 - 502 - 00	PIN,SPLIT,/2.5X20	4	*	*				
18	1600 - 514 - 002 - 00	PLATE,L,/38X116/LH	1	*	*				
19	1600 - 514 - 003 - 00	PLATE,L,/38X116/RH	1	*	*				
20	V201 - 361 - 203 - 00	BOLT/M12X30	4	*	*				
21	V401 - 160 - 012 - 00	WASHER,SP/M12	4	*	*				
22	1427 - 511 - 270 - 00	ROD,/LIFT/LH COMP	1	*	*				
23	1427 - 511 - 273 - 00	FORK	1	*	*				
24	1427 - 511 - 003 - 00	SCREW	1	*	*				
25	1427 - 511 - 004 - 00	HANDLE/ADJUST	1	*	*				

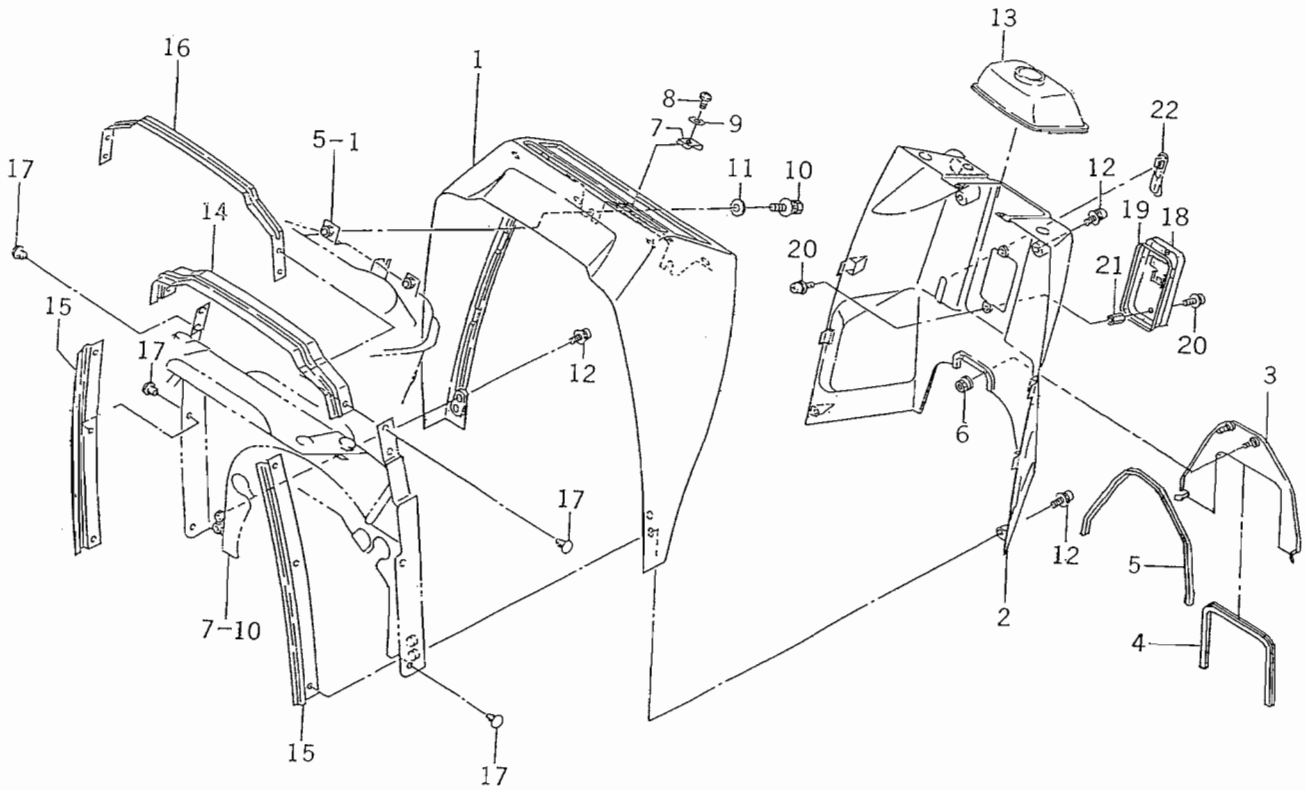
FIG. 74 GRILLE SYSTEM (FE4)



1683-602

KEY	PART CODE	DESCRIPTION	QTY	TYPE OF MODEL		I T C	C O L	G R P	REMARKS
				TM215	TM217				
1	1672 - 602 - 003 - 10	GRILL	1	*	*				
2	1683 - 602 - 002 - 00	INSULATOR/575	1	*	*				
3	1683 - 602 - 001 - 00	HOOD/LAMP	1	*	*				
4	1675 - 602 - 004 - 00	MOLDING/GRILLE/LH	1	*	*				
5	1675 - 602 - 005 - 00	MOLDING/GRILLE/RH	1	*	*				
6	1675 - 602 - 001 - 00	NET/GRILLE	1	*	*				
7	1444 - 601 - 015 - 00	WASHER/6X14X3	8	*	*				
8	V350 - 160 - 006 - 00	NUT,SPEED/P6	8	*	*				
9	1675 - 602 - 007 - 00	TRIM/420	2	*	*				
10	1672 - 602 - 210 - 00	PLATE/GRILLE COMP	1	*	*				
11	1672 - 602 - 240 - 00	PIN COMP	1	*	*				
12	V210 - 360 - 601 - 60	BOLT (SP) /M6X16	3	*	*				
13	V363 - 260 - 008 - 00	NUT,LOCK/M8	2	*	*				
14	1683 - 602 - 220 - 00	BRACKET/LAMP COMP	1	*	*				
15	V210 - 360 - 601 - 60	BOLT (SP) /M6X16	3	*	*				
16	1672 - 602 - 230 - 00	PLATE/LOCK COMP	1	*	*				
17	1414 - 312 - 002 - 00	SPRING,TENSION/53	1	*	*				
18	1672 - 602 - 002 - 00	ROD	1	*	*				
19	1672 - 602 - 250 - 10	LEVER COMP	1	*	*				
20	V411 - 260 - 008 - 00	WASHER,PL/M 8	3	*	*				
21	V500 - 162 - 002 - 00	PIN,SPLIT/2 X20	3	*	*				

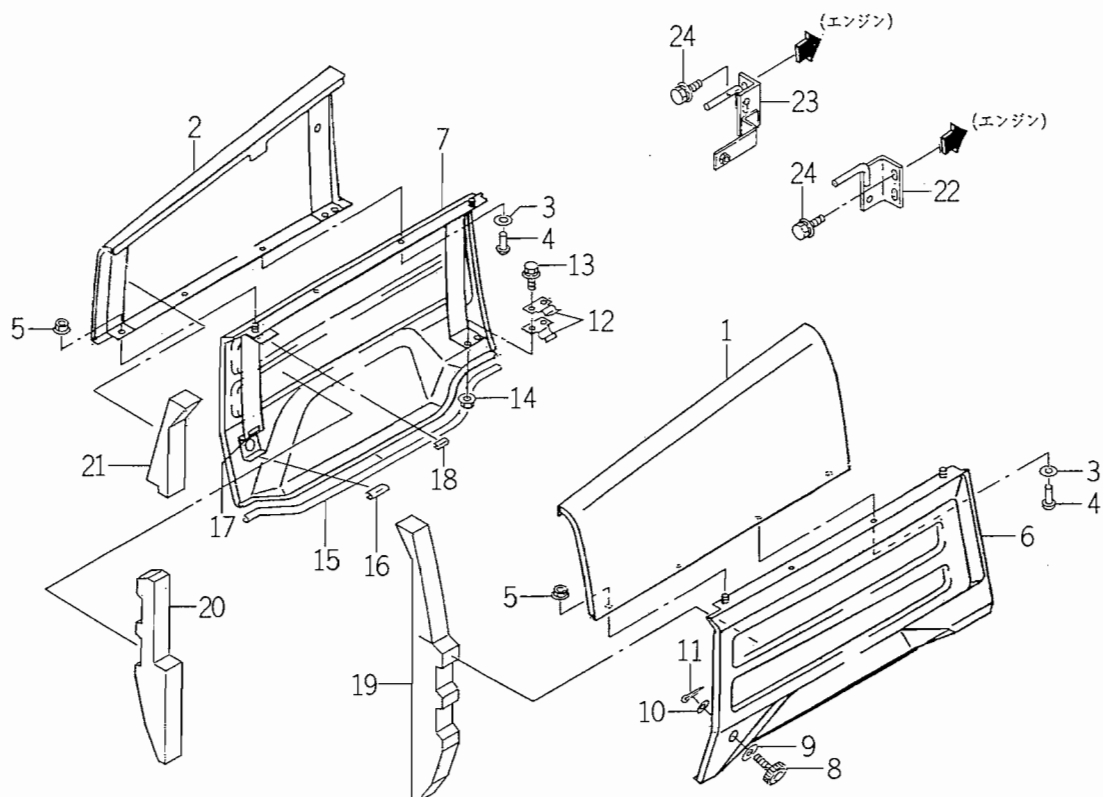
FIG. 76 STEERING COVER SYSTEM (FE4)



1683-603

KEY	PART CODE	DESCRIPTION	QTY	TYPE OF MODEL		I T C	C O L	G R P	REMARKS
				TM215	TM217				
1	1614 - 603 - 051 - 00	COVER/DUSH/F	1	*	*				
2	1614 - 603 - 052 - 00	COVER/DUSH/R	1	*	*				
3	1682 - 603 - 210 - 00	COVER/DUSH/REAR COMP	1	*	*				
4	1682 - 603 - 005 - 00	TRIM/385	1	*	*				
5	1682 - 603 - 006 - 00	TRIM/570	1	*	*				
6	V350 - 160 - 006 - 00	NUT,SPEED/P6	2	*	*				
7	1614 - 603 - 018 - 00	NUT/SPRING	2	*	*				
8	1560 - 401 - 004 - 40	BOLT/M5X16	2	*	*				
9	V411 - 260 - 006 - 00	WASHER / M6	2	*	*				
10	V211 - 360 - 801 - 60	BOLT,SEMS (SP)	2	*	*				
11	4101 - 102 - 038 - 00	WASHER/24X9X3.2	2	*	*				
12	1581 - 740 - 116 - 00	SCREW/M6X20	6	*	*				
13	1612 - 603 - 002 - 00	BOOT/STEERING	1	*	*				
14	1614 - 603 - 201 - 10	INSULATOR	1	*	*				
15	1614 - 603 - 202 - 00	INSULATOR	2	*	*				
16	1614 - 603 - 008 - 00	STAY/INSULATOR	1	*	*				
17	1527 - 604 - 002 - 00	CLIP (B)	8	*	*				
18	1672 - 603 - 200 - 00	BRACKET/FUSE COMP	1	*	*				
19	1672 - 603 - 005 - 00	TRIM/350	1	*	*				
20	V120 - 376 - 001 - 20	SCREW/SP	4	*	*				
21	1672 - 603 - 004 - 00	NUT/M6	2	*	*				
22	1612 - 603 - 005 - 00	CAP/PARKING	1	*	*				

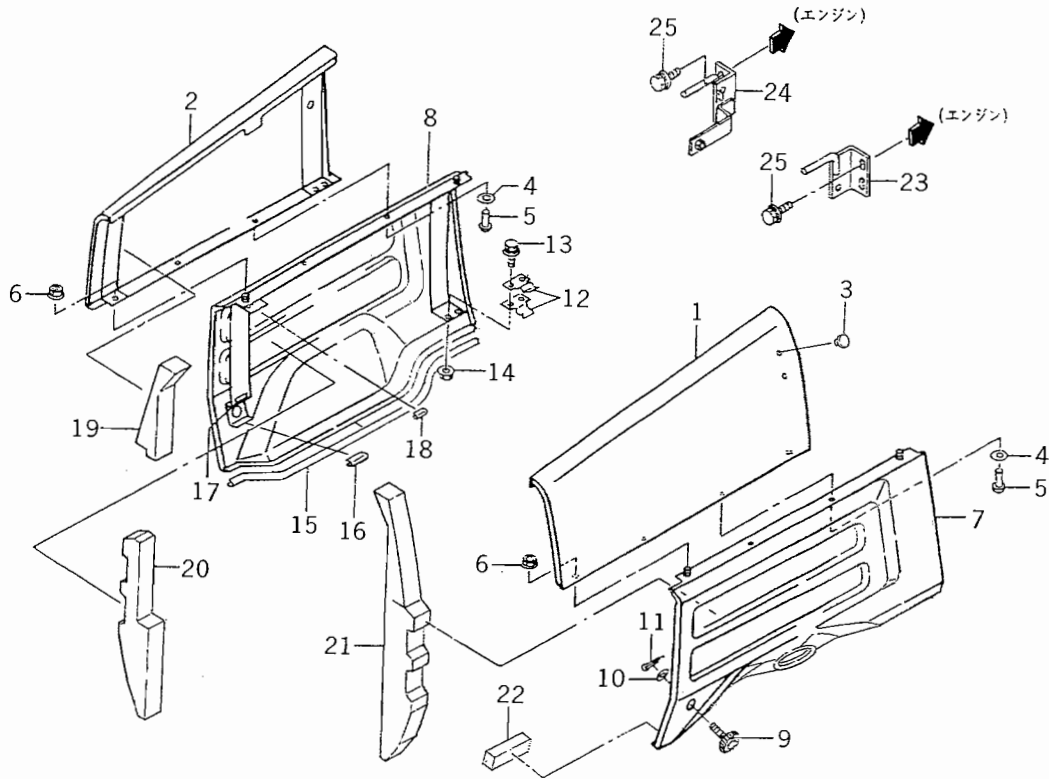
FIG. 77 SIDE COVER SYSTEM (FE1)



1672-604

KEY	PART CODE	DESCRIPTION	QTY	TYPE OF MODEL		I T C	C O L	G R P	REMARKS
				TM215	TM217				
1	1672-604-240-00	COVER/SIDE/LH COMP	1		*				
2	1672-604-250-00	COVER/SIDE/RH COMP	1		*				
3	1480-604-204-00	WASHER	4		*				
4	W296-134-007-00	RIVET,BLIND	4		*				
5	V360-260-006-00	NUT/M6	4		*				
6	1672-604-200-00	COVER/UNDER/LH COMP	1		*				
7	1672-604-210-00	COVER/UNDER/RH COMP	1		*				
8	1672-604-003-00	BOLT/KNOB/M08X31	2		*				
9	V411-260-012-00	WASHER /M12	2		*				
10	V411-260-008-00	WASHER,PL/M 8	2		*				
11	V500-162-001-50	PIN,SPLIT/2 X15	2		*				
12	1560-604-022-70	SPRING	4		*				
13	V211-360-801-60	BOLT,SEMS (SP)	4		*				
14	V362-260-008-00	NUT/WASHER	4		*				
15	1672-604-004-00	INSULATOR	2		*				
16	1672-604-005-00	INSULATOR	2		*				
17	1672-601-001-00	INSULATOR	2		*				
18	1672-601-002-00	TRIM/20	2		*				
19	1672-604-006-00	INSULATOR/LH	1		*				
20	1672-604-007-00	INSULATOR/RH	1		*				
21	1672-604-008-00	INSULATOR/RH	1		*				
22	1672-604-220-00	STAY/COVER/LH COMP	1		*				
23	1672-604-230-10	STAY/COVER/RH COMP	1		*				
24	V211-360-802-50	BOLT,SEMS	4		*				

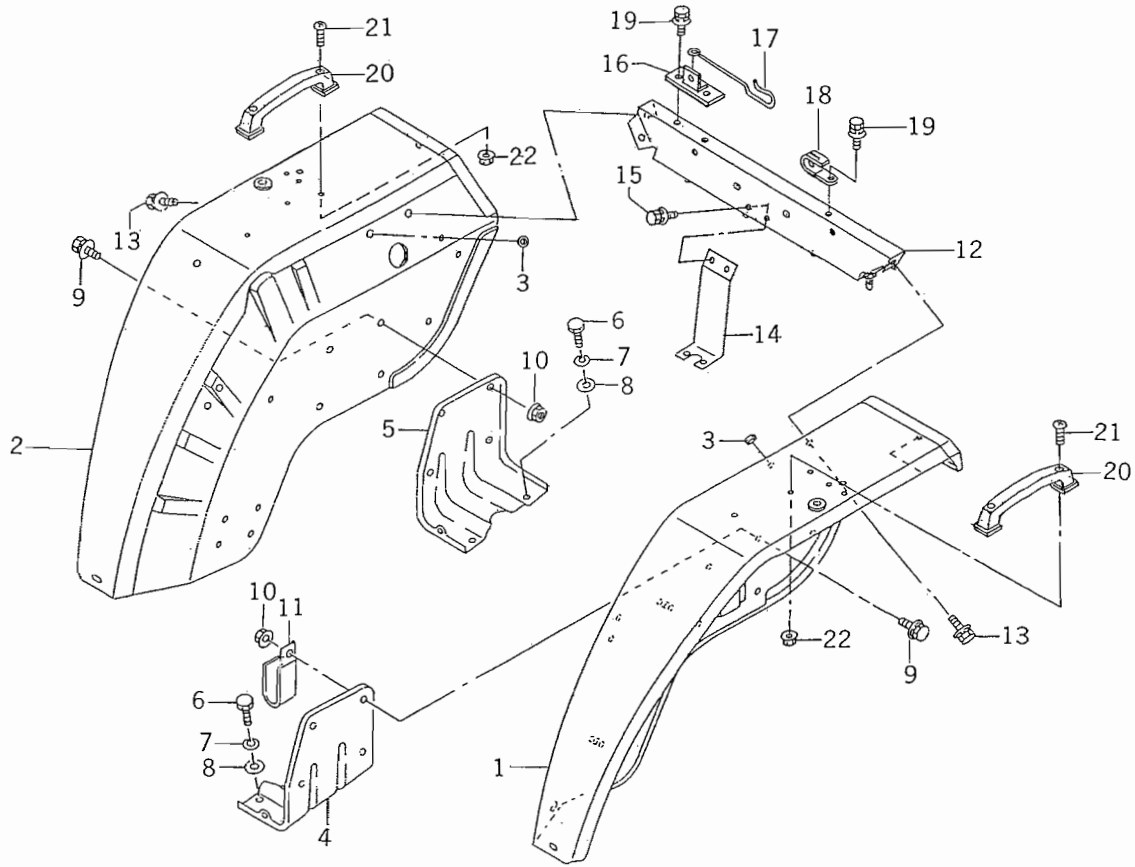
FIG. 78 SIDE COVER SYSTEM (FE4)



1583-604

KEY	PART CODE	DESCRIPTION	QTY	TYPE OF MODEL		I T C	C O L	G R P	REMARKS
				TM215	TM217				
1	1683 - 604 - 240 - 10	COVER/SIDE/LH COMP	1	*	*				
2	1683 - 604 - 250 - 10	COVER/SIDE/RH COMP	1	*	*				
3	1444 - 621 - 016 - 00	CAP,RUBBER (9)	4	*	*				
4	1480 - 604 - 204 - 00	WASHER	16	*	*				
5	W296 - 134 - 007 - 00	RIVET,BLIND	6	*	*				
6	V360 - 260 - 006 - 00	NUT/M6	4	*	*				
7	1683 - 604 - 200 - 20	COVER/UNDER/LH COMP	1	*	*				
8	1683 - 604 - 210 - 20	COVER/UNDER/RH COMP	1	*	*				
9	1672 - 604 - 003 - 00	BOLT/KNOB/M08X31	2	*	*				
10	V411 - 260 - 008 - 00	WASHER,PL/M 8	2	*	*				
11	V500 - 162 - 001 - 50	PIN,SPLIT/2 X15	2	*	*				
12	1560 - 604 - 022 - 70	SPRING	4	*	*				
13	V211 - 360 - 801 - 60	BOLT,SEMS (SP)	4	*	*				
14	V362 - 260 - 008 - 00	NUT/WASHER	4	*	*				
15	1683 - 604 - 004 - 00	INSULATOR/565	2	*	*				
16	1672 - 604 - 005 - 00	INSULATOR	2	*	*				
17	1672 - 601 - 001 - 00	INSULATOR	2	*	*				
18	1672 - 601 - 002 - 00	TRIM/20	2	*	*				
19	1672 - 604 - 008 - 00	INSULATOR/RH	1	*	*				
20	1672 - 604 - 007 - 00	INSULATOR/RH	1	*	*				
21	1672 - 604 - 006 - 00	INSULATOR/LH	1	*	*				
22	1682 - 604 - 007 - 10	INSULATOR/30X30X80	2	*	*				
23	1672 - 604 - 220 - 00	STAY/COVER/LH COMP	1	*	*				
24	1683 - 604 - 230 - 00	STAY/COVER/RH COMP	1	*	*				
25	V211 - 360 - 802 - 50	BOLT,SEMS	4	*	*				

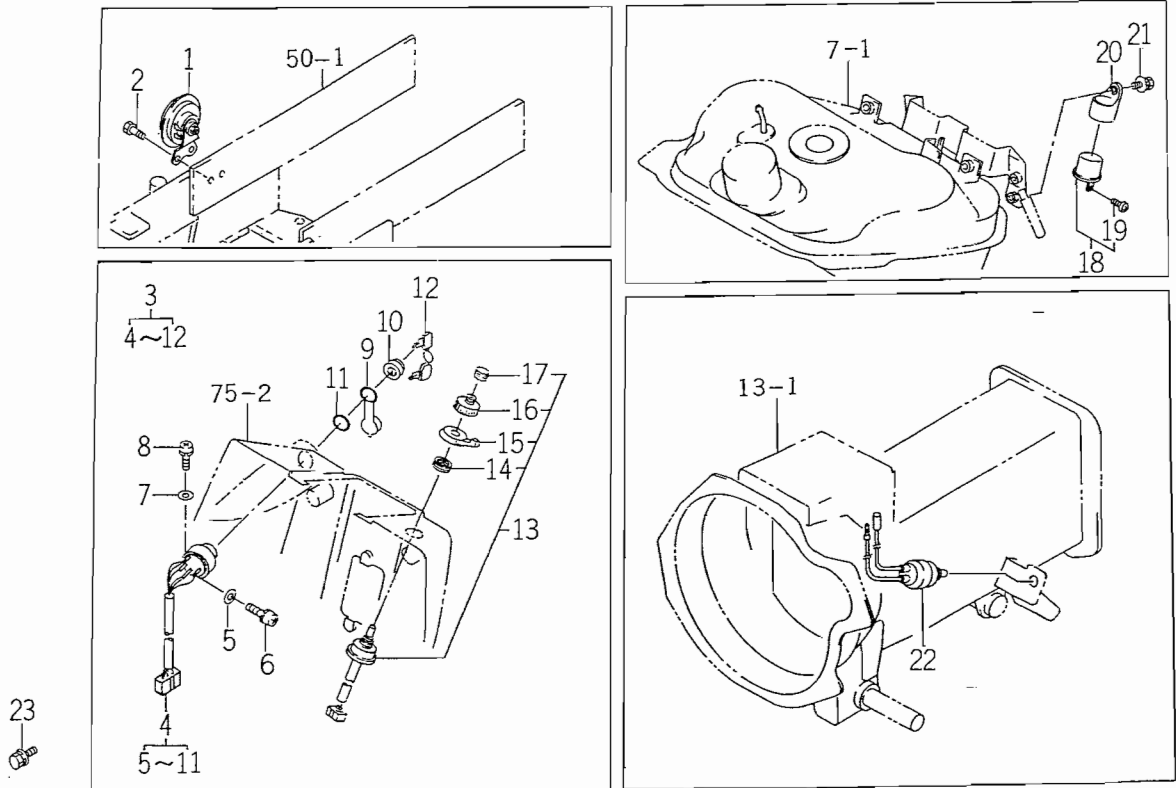
FIG. 80 FENDER SYSTEM (FE4)



1682-605A

KEY	PART CODE	DESCRIPTION	QTY	TYPE OF MODEL		I T C	C O L	G R P	REMARKS
				TM215	TM217				
1	1682 - 606 - 250 - 20	FENDER/LH COMP	1	*	*				
2	1682 - 606 - 260 - 20	FENDER/RH COMP	1	*	*				
3	1444 - 621 - 016 - 00	CAP,RUBBER (9)	4	*	*				
4	1672 - 606 - 001 - 00	HOLDER/FENDER/LH	1	*	*				
5	1672 - 606 - 002 - 00	HOLDER/FENDER/RH	1	*	*				
6	V201 - 261 - 202 - 50	BOLT/M12X25	4	*	*				
7	V401 - 160 - 012 - 00	WASHER,SP/M12	4	*	*				
8	V411 - 260 - 012 - 00	WASHER /M12	4	*	*				
9	V211 - 360 - 801 - 60	BOLT,SEMS (SP)	8	*	*				
10	V362 - 260 - 008 - 00	NUT/WASHER	8	*	*				
11	1425 - 621 - 004 - 00	CLAMP,HARNESS	1	*	*				
12	1682 - 606 - 270 - 10	STAY/FENDER COMP	1	*	*				
13	V211 - 360 - 802 - 00	BOLT (SP) M8X20	2	*	*				
14	1682 - 606 - 230 - 10	STAY/PLATE COMP	1	*	*				
15	V211 - 360 - 802 - 00	BOLT (SP) M8X20	2	*	*				
16	1620 - 626 - 600 - 00	PLATE COMP	1	*	*				
17	1566 - 525 - 101 - 00	HOOK, TOP LINK	1	*	*				
18	1425 - 621 - 004 - 00	CLAMP,HARNESS	1	*	*				
19	V211 - 360 - 801 - 60	BOLT,SEMS (SP)	3	*	*				
20	3670 - 236 - 003 - 00	GRIP	2	*	*				
21	1581 - 740 - 116 - 00	SCREW/M6X20	4	*	*				
22	V361 - 260 - 006 - 00	NUT	4	*	*				

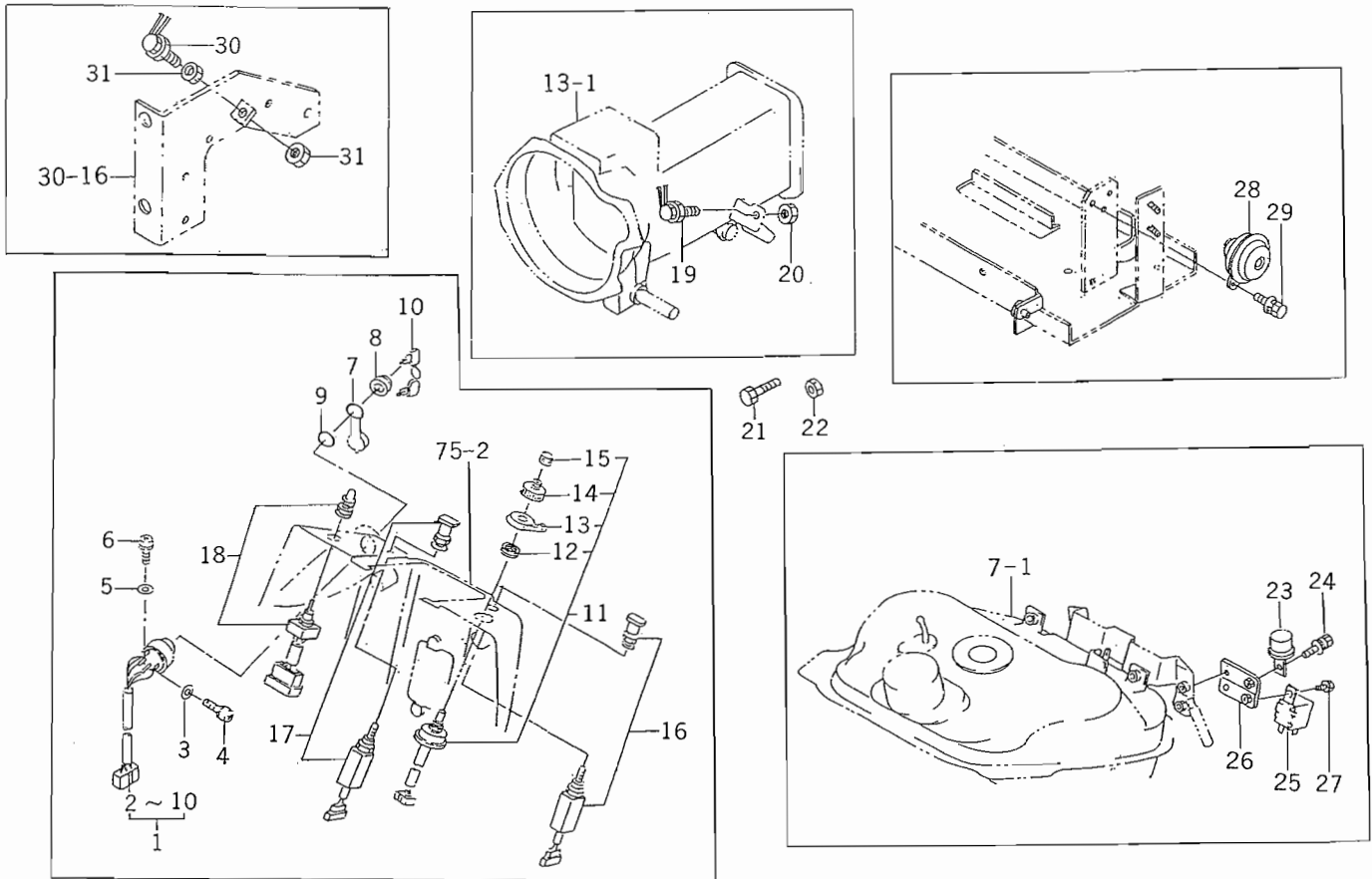
FIG. 91 SWITCH SYSTEM (FE1)



1612-680

KEY	PART CODE	DESCRIPTION	QTY	TYPE OF MODEL		I T C	C O L	G R P	REMARKS
				TM215	TM217				
1	1427 - 621 - 008 - 00	HORN	1		*				
2	V200 - 260 - 601 - 60	BOLT/M 6X16	2		*				
3	1575 - 623 - 210 - 00	SWITCH,STARTER ASSY	1		*				
4	1488 - 621 - 220 - 10	SWITCH,STARTER SET	1		*				
5	V411 - 260 - 004 - 00	WASHER,PL/M4	3		*				
6	V120 - 264 - 000 - 80	SCREW,PLUS/M4X8	3		*				
7	V411 - 260 - 005 - 00	WASHER,PL/M 5	3		*				
8	V120 - 265 - 001 - 00	SCREW,PLUS/M5X0.8X8	3		*				
9	1444 - 621 - 311 - 00	CAP	1		*				
10	1444 - 621 - 312 - 00	NUT,RING/M28X1.0	1		*				
11	1444 - 621 - 313 - 00	WASHER	1		*				
12	1444 - 621 - 320 - 00	KEY ASSY	1		*				
13	1544 - 623 - 001 - 00	SWITCH ASSY	1		*				
14	1544 - 623 - 232 - 00	NUT/M22	1		*				
15	1544 - 623 - 233 - 00	LEVER.	1		*				
16	1544 - 623 - 234 - 00	KNOB	1		*				
17	1544 - 623 - 235 - 00	BOOT/HORN	1		*				
18	1426 - 621 - 035 - 00	FLASHER UNIT	1		*				
19	V111 - 164 - 000 - 60	SCREW M4X6	2		*				
20	1426 - 621 - 036 - 00	BASE,FLASHER	1		*				
21	V210 - 360 - 601 - 60	BOLT (SP) /M6X16	1		*				
22	1427 - 621 - 011 - 00	SWITCH,SAFETY	1		*				

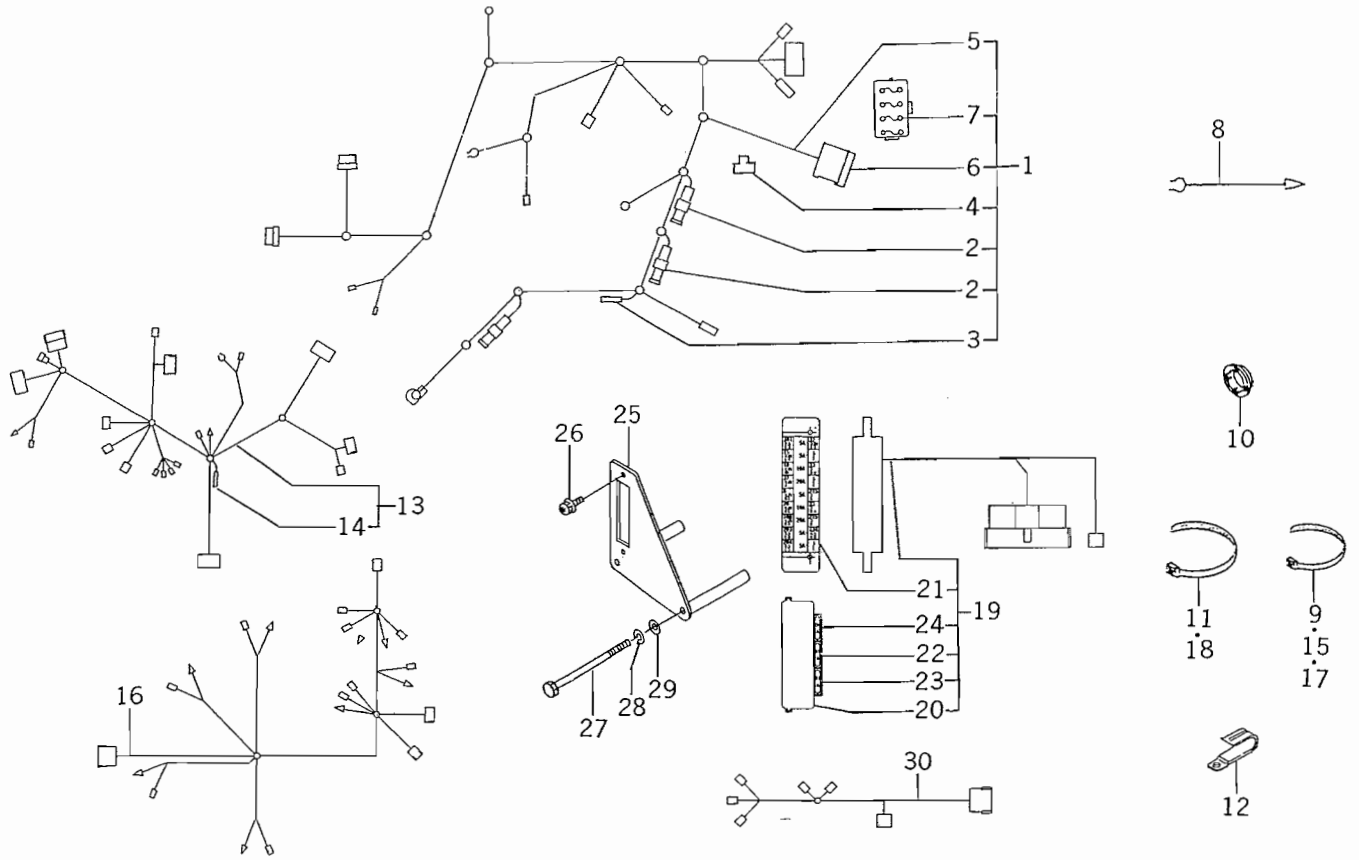
FIG. 92 SWITCH SYSTEM (FE4)



1683-680

KEY	PART CODE	DESCRIPTION	QTY	TYPE OF MODEL		I T C	C O L	G R P	REMARKS
				TM215	TM217				
1	1575 - 623 - 210 - 00	SWITCH,STARTER ASSY	1	*	*				
2	1488 - 621 - 220 - 10	SWITCH,STARTER SET	1	*	*				
3	V411 - 260 - 004 - 00	WASHER,PL/M4	3	*	*				
4	V120 - 264 - 000 - 80	SCREW,PLUS/M4X8	3	*	*				
5	V411 - 260 - 005 - 00	WASHER,PL/M 5	3	*	*				
6	V120 - 265 - 001 - 00	SCREW,PLUS/M5X0.8X8	3	*	*				
7	1444 - 621 - 311 - 00	CAP	1	*	*				
8	1444 - 621 - 312 - 00	NUT,RING/M28X1.0	1	*	*				
9	1444 - 621 - 313 - 00	WASHER	1	*	*				
10	1444 - 621 - 320 - 00	KEY ASSY	1	*	*				
11	1544 - 623 - 001 - 00	SWITCH ASSY	1	*	*				
12	1544 - 623 - 232 - 00	NUT/M22	1	*	*				
13	1544 - 623 - 233 - 00	LEVER	1	*	*				
14	1544 - 623 - 234 - 00	KNOB	1	*	*				
15	1544 - 623 - 235 - 00	BOOT/HORN	1	*	*				
16	1600 - 623 - 200 - 00	SWITCH	1	*	*				
17	1600 - 623 - 210 - 00	SWITCH,LAMP ASSY	1	*	*				
18	1600 - 623 - 220 - 00	SWITCH,HAZARD ASSY	1	*	*				
19	1518 - 621 - 320 - 00	SWITCH,STOP	1	*	*				
20	1432 - 621 - 006 - 10	NUT,LOCK	1	*	*				
21	1620 - 680 - 003 - 00	BOLT/M8X28	1	*	*				
22	V304 - 260 - 008 - 00	NUT/M 8	1	*	*				
23	1600 - 623 - 002 - 00	FLASHER ASSY	1	*	*				
24	V210 - 360 - 601 - 60	BOLT (SP) /M6X16	1	*	*				
25	1581 - 621 - 290 - 00	RELAY/4P	1	*	*				

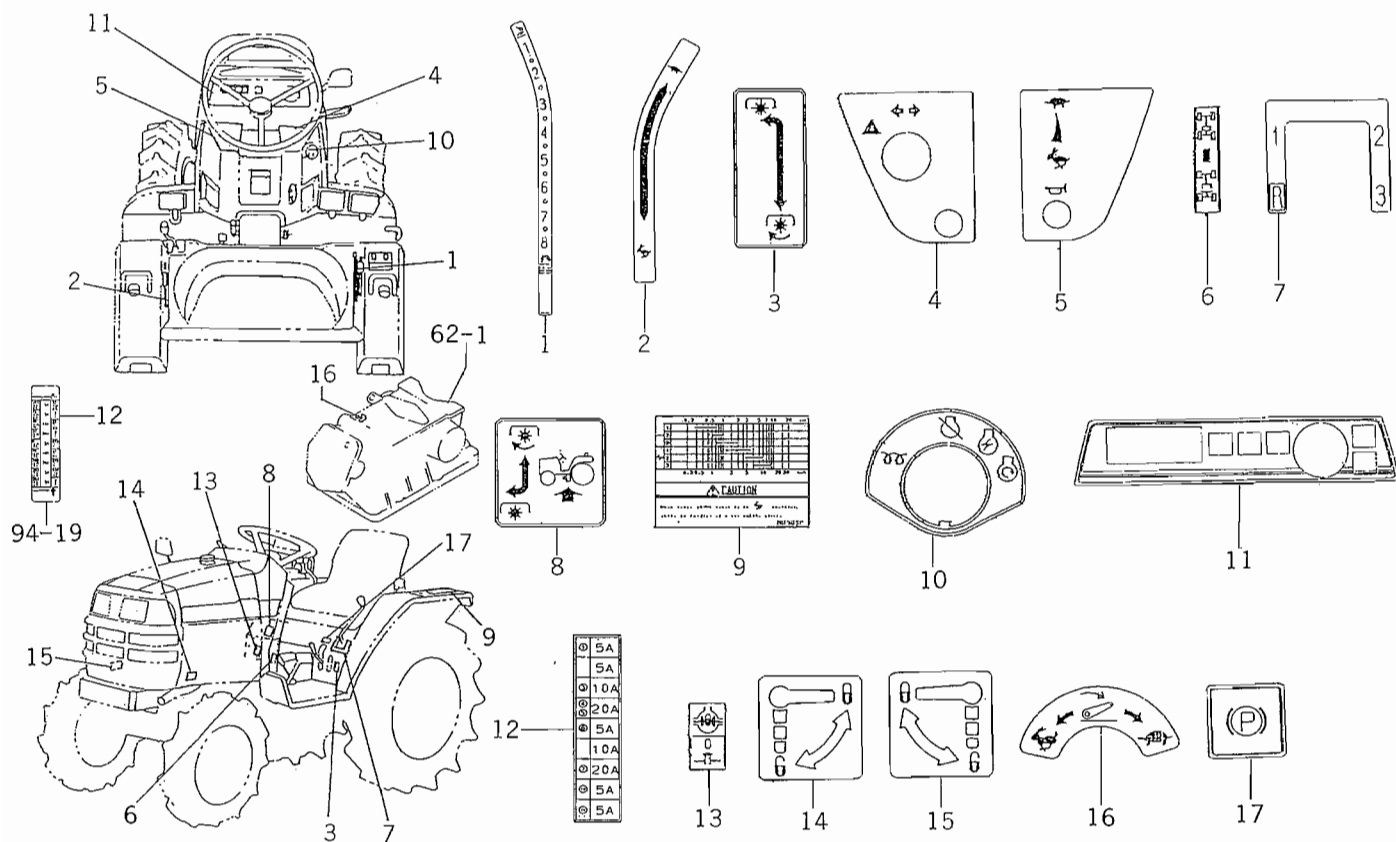
FIG. 94 HARNESS SYSTEM (FE4)



1682-690A

KEY	PART CODE	DESCRIPTION	QTY	TYPE OF MODEL		I T C	C O L	G R P	REMARKS
				TM215	TM217				
1	1682 - 690 - 300 - 30	HARNESS/ENGINE/E4	1	*	*	1			
2	1614 - 690 - 202 - 00	FUSE/SLOWBLOW	2	*	*				
3	1560 - 666 - 212 - 00	DIODE	2	*	*				
4	3650 - 261 - 261 - 00	LINK,FUSIBLE	1	*	*				
5	1620 - 690 - 341 - 00	HARNESS/ENGINE	1	*	*				
6	1593 - 623 - 503 - 00	CAP,FUSE BOX	1	*	*				
7	1560 - 664 - 264 - 00	FUSE,BLADE	4	*	*				
8	1600 - 624 - 004 - 00	HARNESS,OIL PRESSURE	1	*	*				
9	1376 - 402 - 003 - 00	BAND,WIRE/140	5	*	*				
10	1612 - 690 - 001 - 00	INSULATOR/36	1	*	*				
11	1342 - 402 - 006 - 00	BAND,WIRE/250	1	*	*				
12	1425 - 621 - 004 - 00	CLAMP,HARNESS	1	*	*				
13	1682 - 690 - 310 - 30	HARNESS/MAIN/E4 ASSY	1	*	*	1			
14	1560 - 666 - 212 - 00	DIODE	1	*	*				
15	1376 - 402 - 003 - 00	BAND,WIRE/140	4	*	*				
16	1682 - 690 - 320 - 10	HARNESS/REAR/E4 ASSY	1	*	*				
17	1376 - 402 - 003 - 00	BAND,WIRE/140	2	*	*				
18	1342 - 402 - 006 - 00	BAND,WIRE/250	1	*	*				
19	1682 - 690 - 340 - 00	HARNESS/FUSE ASSY	1	*	*				
20	1650 - 650 - 246 - 00	COVER/FUSE	1	*	*				
21	1650 - 652 - 253 - 20	LABEL/FUSE/MAIN	1	*	*				
22	1575 - 623 - 010 - 00	FUSE/32V10A	3	*	*				
23	1593 - 623 - 203 - 00	FUSE/32V20A	3	*	*				
24	1560 - 664 - 264 - 00	FUSE,BLADE	6	*	*				
25	1682 - 690 - 360 - 10	BRACKET/FUSE COMP	1	*	*				

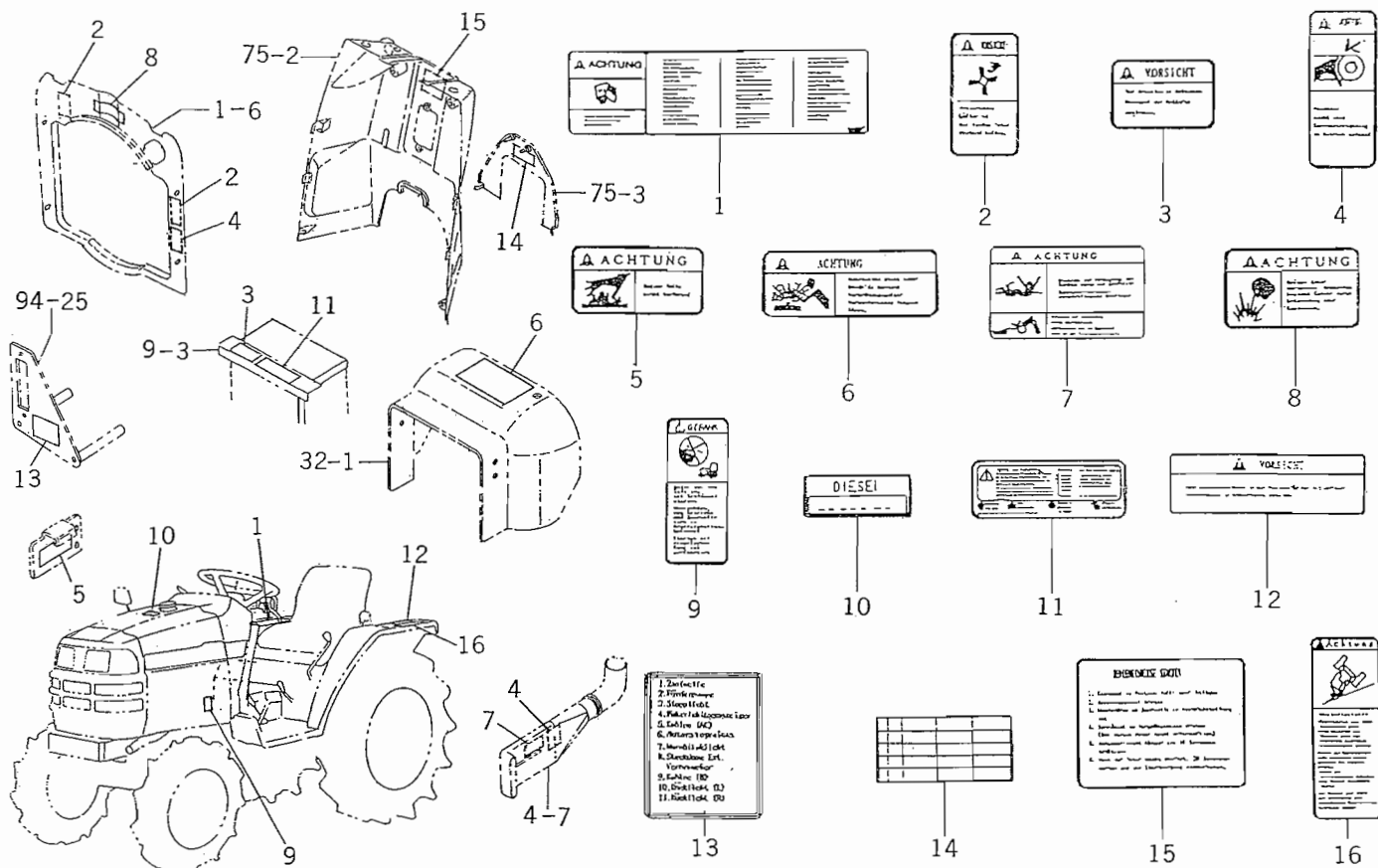
FIG. 97 LABEL/CONTROL SYSTEM



1682-902A

KEY	PART CODE	DESCRIPTION	QTY	TYPE OF MODEL		I T C	C O L	G R P	REMARKS
				TM215	TM217				
1	1682 - 902 - 001 - 00	LABEL/CONTROL/POSITI	1	*	*				
2	1682 - 902 - 002 - 00	LABEL/CONTROL/SUB	1	*	*				
3	1682 - 902 - 011 - 00	LABEL/CONTROL/PTO	1	*	*				
4	1620 - 903 - 003 - 00	LABEL/COLUMN/LH	1	*	*				
5	1682 - 902 - 004 - 00	LABEL/COLUMN/RH	1	*	*				
6	1600 - 904 - 051 - 00	LABEL/4WD	1	*	*				
7	1682 - 902 - 005 - 00	LABEL/CONTROL/MAIN	1	*	*				
8	1682 - 902 - 008 - 00	LABEL/PTO/MID	1	*	*				
9	1682 - 902 - 012 - 10	LABEL/SPEED/STD	1	*	*				
10	1620 - 904 - 011 - 00	LABEL/SWITCH/P	1	*	*				
11	1682 - 902 - 006 - 00	MOLDING/METER	1	*	*				
12	1682 - 902 - 007 - 10	LABEL/FUSE	1	*	*	1			
13	1636 - 901 - 005 - 00	LABEL/DIFF	1	*	*				
14	1640 - 902 - 005 - 00	LABEL/KNOB/OPEN	1	*	*				
15	1640 - 902 - 006 - 00	LABEL/KNOB/OPEN	1	*	*				
16	1682 - 902 - 013 - 00	LABEL/CONTROL/ADJUST	1	*	*				
17	1682 - 902 - 014 - 00	LABEL/CONTROL/PARKIN	1	*	*				

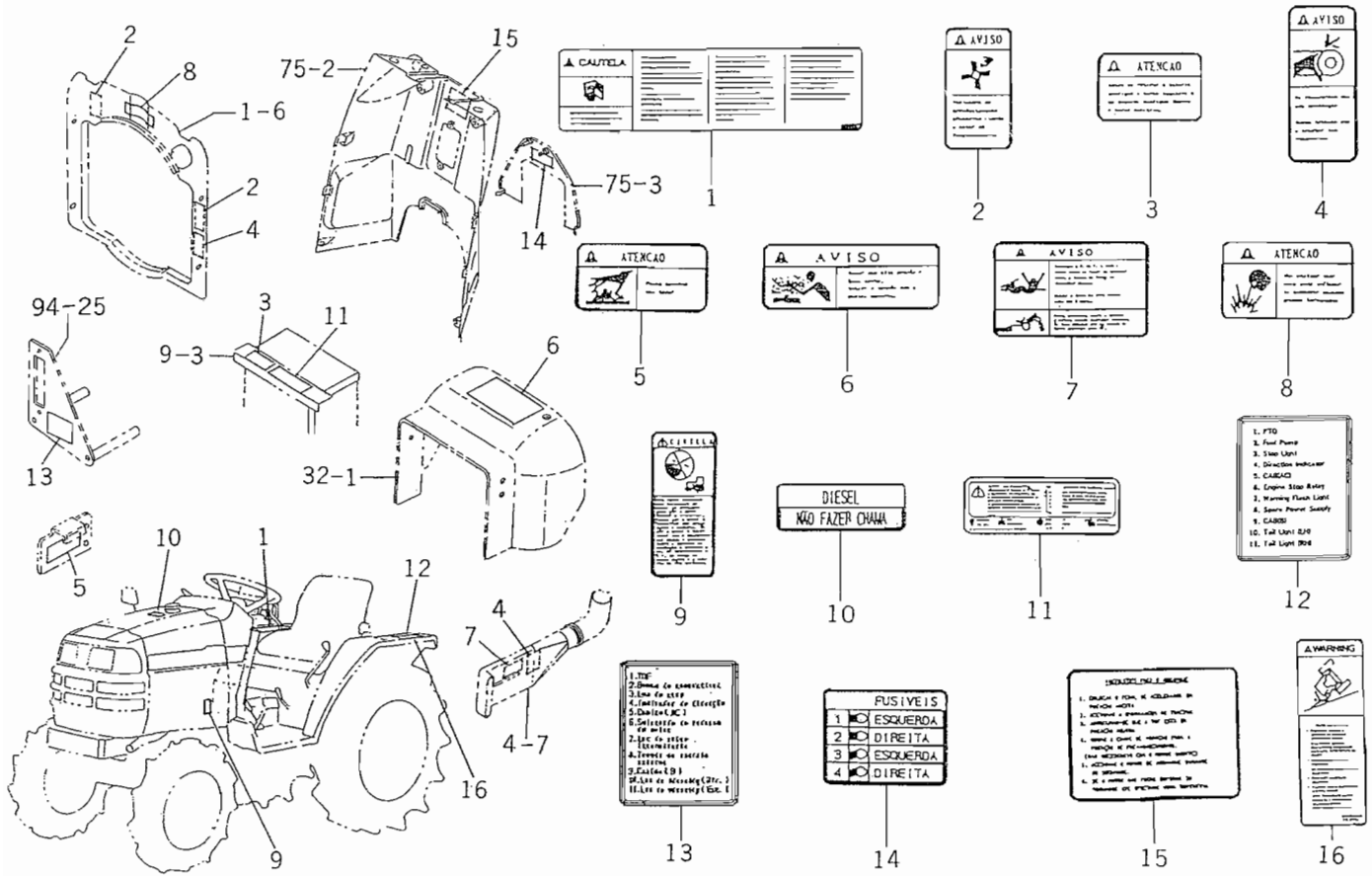
FIG.100 LABEL (GERMANY) SYSTEM (FE4,FMUE4) (OPTION)



1620-904B

KEY	PART CODE	DESCRIPTION	QTY	TYPE OF MODEL		I T C	C O L	G R P	REMARKS
				TM215	TM217				
1	1640 - 904 - 024 - 00	LABEL/C/DRIVE/D	1	T	T				
2	1640 - 903 - 026 - 00	LABEL/W/FAN	2	T	T				
3	1640 - 903 - 027 - 00	LABEL/C/BATTERY	1	T	T				
4	1640 - 903 - 028 - 00	LABEL/W/SHIELD	2	T	T				
5	1640 - 903 - 029 - 00	LABEL/W/MUFFLER	1	T	T				
6	1640 - 903 - 032 - 00	LABEL/W/SHIELD/PTO	1	T	T				
7	1640 - 903 - 031 - 00	LABEL/W/ETHER	1	T	T				
8	1640 - 903 - 033 - 00	LABEL/W/RADIATOR	1	T	T				
9	1640 - 903 - 035 - 00	LABEL/D/STARTER	1	T	T				
10	1600 - 902 - 023 - 00	LABEL,FUEL/D	1	T	T				
11	1640 - 903 - 036 - 00	LABEL/D/BATTERY	1	T	T				
12	1640 - 903 - 039 - 00	LABEL/C/SHIFT	1	T	T				
13	1620 - 904 - 008 - 00	LABEL/FUSE/11	1	T	T				
14	1594 - 904 - 025 - 00	MARK,FUSE/4	1	T	T				
15	1640 - 903 - 025 - 00	LABEL/START	1	T	T				
16	1640 - 903 - 047 - 00	LABEL/W/ROPS/E20	1	T	T				

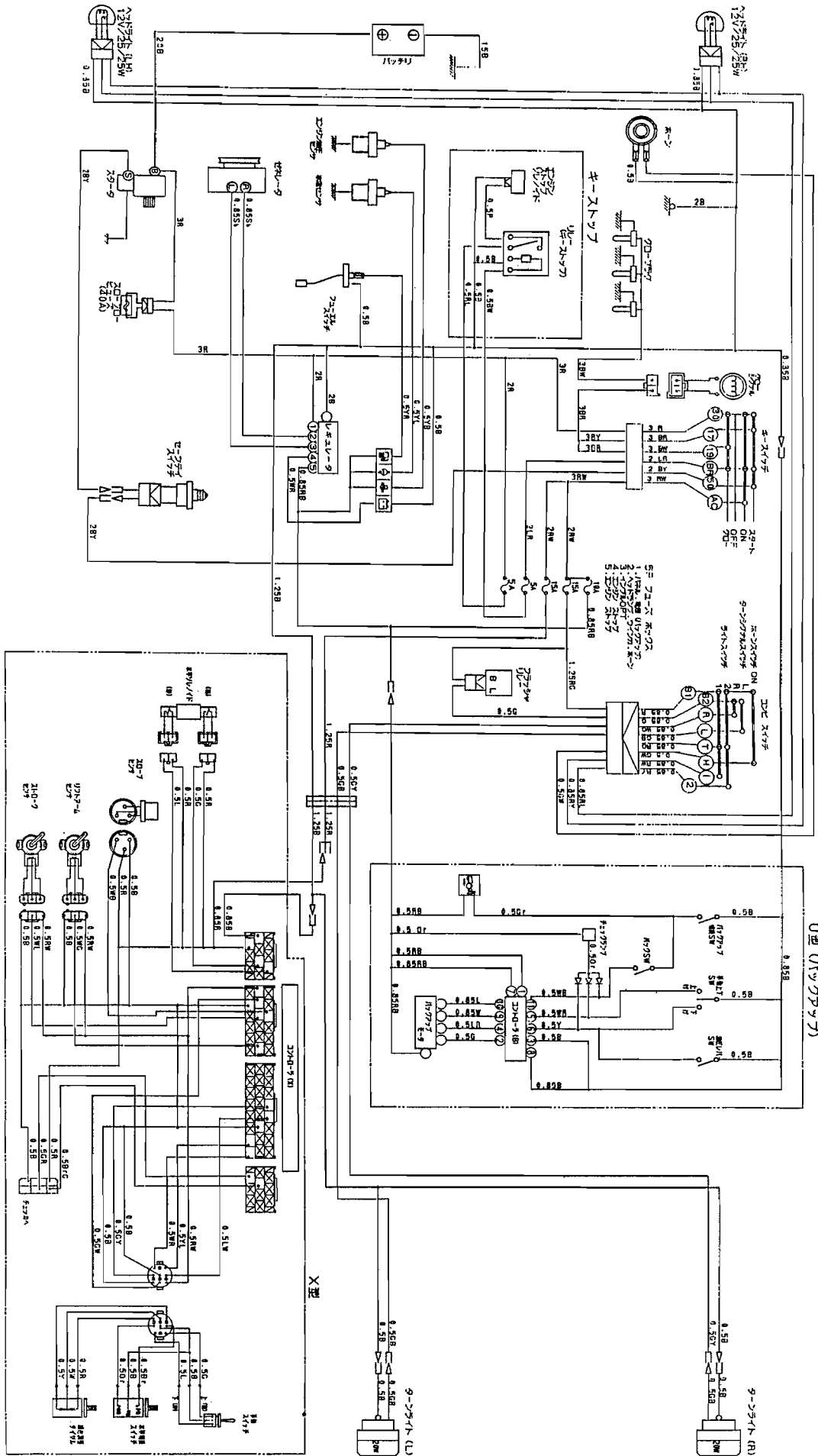
FIG.101 LABEL (PORTUGAL) SYSTEM (FE4,FMUE4) (OPTION)



1620-S04C

KEY	PART CODE	DESCRIPTION	QTY	TYPE OF MODEL		I T C	C O L	G R P	REMARKS
				TM215	TM217				
1	1640 - 904 - 025 - 00	LABEL/C/DR.VE/P	1	T	T				
2	1640 - 903 - 056 - 00	LABEL/W/FAN	2	T	T				
3	1640 - 903 - 057 - 00	LABEL/C/BATTERY	1	T	T				
4	1640 - 903 - 058 - 00	LABEL/W/SHIELD	2	T	T				
5	1640 - 903 - 059 - 00	LABEL/W/MUFFLER	1	T	T				
6	1640 - 903 - 062 - 00	LABEL/W/SHIELD/PTO	1	T	T				
7	1640 - 903 - 061 - 00	LABEL/W/ETHER	1	T	T				
8	1640 - 903 - 063 - 00	LABEL/W/RADIATOR	1	T	T				
9	1640 - 903 - 065 - 00	LABEL/D/STARTER	1	T	T				
10	1640 - 903 - 067 - 00	LABEL/FUEL/P	1	T	T				
11	1640 - 903 - 066 - 00	LABEL/D/BATTERY	1	T	T				
12	1640 - 903 - 069 - 00	LABEL/C/SHIFT	1	T	T				
13	1620 - 904 - 009 - 00	LABEL/FUSE/11	1	T	T				
14	1640 - 903 - 052 - 00	LABEL/FUSE/4	1	T	T				
15	1640 - 903 - 055 - 00	LABEL/START	1	T	T				
16	1640 - 903 - 048 - 00	LABEL/W/ROPS/E40P	1	T	T				

WIRING DIAGRAM



NUMERICAL INDEX

6003-097-170-00

PART CODE	FIG. KEY	PART CODE	FIG. KEY	PART CODE	FIG. KEY
J061-210-015-00	17 23	6209-046-001-00	9 18	6211-342-002-10	8 2
J062-062-067-00	21 5	6209-050-001-00	9 35	6211-361-010-10	7 1
J062-076-082-00	21 4	6209-050-002-00	9 36	6211-510-001-00	5 10
P117-303-003-00	9 25	6209-056-001-00	20 7	6211-511-003-00	5 11
V203-361-004-50	22 8	6209-300-002-00	17 18	6211-511-004-00	5 12
V211-560-802-00	3 3 9 14 17 19 17 27 22 3	6209-300-004-00 6209-300-013-00 6209-360-010-00 6209-360-028-10 6209-409-001-00	8 5 5 29 21 2 2 6 9 21	6211-540-001-00 6211-560-001-00 6211-599-001-10	6 1 6 3 5 13 6 2 6 4
V211-560-802-50	4 3	6209-409-003-00	11 18	6211-715-002-00	1 5
V341-120-008-00	9 22	6209-440-003-00	13 7	6211-721-001-00	1 6
V411-260-006-00	20 39	6209-490-002-00	2 4	6211-721-002-00	1 7
V523-101-001-80	15 2	6209-500-003-00	9 19	6211-751-001-10	2 2
V600-110-600-40	20 12	6209-580-002-10	20 36	6211-760-012-20	5 28
V600-110-600-50	9 52	6209-587-001-00	13 4	6211-777-007-20	10 1
V600-110-620-30	20 11	6209-605-004-00	1 4	6212-111-015-10	13 1
V600-150-600-20	15 8	6209-605-005-10	5 30	6212-114-015-10	14 1
V682-200-000-60	1 9	6209-610-001-00	5 3	6212-116-015-10	14 3
V704-140-016-00	11 16	6209-610-002-10	9 4	6212-121-008-00	13 2
V705-140-012-00	9 34	6209-625-001-00	5 14	6212-124-008-00	14 2
V710-140-004-00	20 21 20 32	6209-625-002-00 6209-630-002-10	9 9 23 6	6212-126-008-00 6212-211-001-10	14 4 13 3
V720-101-900-80	20 35	6209-740-001-00	9 29	6212-230-003-00	13 5
V720-102-401-50	16 9	6209-740-004-00	5 17	6212-235-001-00	13 6
V720-102-401-80	7 3	6209-749-001-10	5 15	6212-261-006-00	13 8
V723-102-002-40	9 39		9 49	6212-264-006-00	6 5
V723-102-003-60	9 43	6209-940-004-00	11 15	6212-266-006-00	6 6
V723-102-005-00	9 48	6211-110-020-20	1 1	6212-310-008-10	15 1
V723-102-005-50	17 31	6211-141-008-20	1 10	6212-330-017-20	15 5
1373-121-001-00	22 4	6211-150-008-00	1 2	6212-333-001-00	15 6
1425-621-004-00	9 17	6211-170-004-10	2 1	6212-370-011-00	15 10
3625-301-002-00	7 2	6211-173-003-00	2 3	6212-371-009-00	15 11
3625-540-004-00	9 41	6211-210-050-10	5 1	6212-372-002-10	15 12
6209-000-002-00	11 19	6211-258-001-00	5 8	6212-379-001-00	15 15
6209-000-003-00	1 11	6211-258-002-00	5 9	6212-511-002-00	12 1
6209-000-004-10	5 2	6211-291-016-00	5 24	6212-521-002-00	15 3
6209-000-013-00	15 9	6211-292-001-20	5 25	6212-522-003-00	12 2
6209-009-001-00	16 6	6211-310-021-00	9 1	6212-523-003-00	12 6
6209-030-005-00	9 10	6211-311-011-00	9 44	6212-524-002-00	20 9
6209-030-006-00	9 16 17 28	6211-312-002-20 6211-312-003-10	9 45 9 30	6212-530-005-10 6212-531-005-10	9 51 5 6
6209-030-043-00	20 16	6211-319-003-00	9 47	6212-535-001-00	12 4
6209-030-044-00	18 4	6211-322-002-00	9 56	6212-535-002-00	20 13
6209-031-083-00	22 5	6211-341-032-00	8 1	6212-551-001-00	11 1

6003-097-170-00

PART CODE	FIG. KEY		PART CODE	FIG. KEY		PART CODE	FIG. KEY	
6212-552-001-00	11	2	6213-671-003-00	18	5	6215-542-C06-00	20	20
6212-561-001-00	11	3	6213-674-006-10	22	2	6215-543-001-10	20	19
6212-563-001-00	11	4	6213-711-003-20	17	30	6215-546-C03-00	9	20
6212-565-001-00	11	5	6213-716-001-40	17	24	6215-549-001-10	5	27
6212-569-002-00	1	8	6213-721-003-00	17	25	6215-549-003-00	20	22
6212-571-001-10	11	6	6213-721-007-00	5	23	6215-549-005-10	20	26
6212-575-001-00	11	7	6213-729-013-00	17	22	6215-549-006-00	20	27
6212-600-002-00	11	8	6213-743-002-10	17	26	6215-549-007-10	20	37
6212-611-004-10	11	9	6214-111-011-20	3	1	6215-549-008-00	20	41
6212-616-002-00	11	17	6214-115-001-20	3	2	6215-549-009-00	20	28
6212-620-001-10	11	10	6214-141-010-10	4	1	6215-549-010-00	20	29
6212-621-002-10	11	11	6214-145-001-30	4	2	6215-549-023-00	20	30
6212-626-002-10	11	12	6215-300-005-00	19	1	6215-549-024-00	20	31
6212-628-004-00	11	13	6215-311-005-00	24	1	6215-549-027-10	20	25
6212-628-005-00	11	14	6215-315-002-00	19	2	6215-549-028-00	20	24
6213-100-003-20	16	1	6215-330-007-00	24	2	6215-600-113-00	20	1
6213-111-001-20	16	2	6215-332-002-00	24	16	6215-611-002-00	25	1
6213-120-003-00	16	3	6215-339-002-00	24	15	6215-612-002-00	25	49
6213-125-001-00	16	4	6215-342-002-00	24	3	6215-619-012-00	25	50
6213-140-008-00	16	8	6215-343-002-00	24	4	6215-619-014-00	25	53
6213-149-002-00	16	10	6215-345-044-00	24	5		25	57
6213-160-002-00	9	31	6215-345-045-00	24	6	6215-619-015-00	25	54
6213-161-001-00	9	32	6215-345-046-00	24	7	6215-619-016-00	25	55
6213-164-001-00	9	33	6215-345-047-00	24	8	6215-619-026-00	25	56
6213-211-001-10	9	42	6215-345-048-00	24	9	6215-619-030-00	25	52
6213-240-002-00	16	15	6215-345-049-00	24	10	6215-621-001-30	20	8
6213-311-003-10	16	12	6215-345-050-00	24	11	6215-622-002-00	25	12
6213-319-004-00	9	2	6215-345-051-00	24	12	6215-629-017-00	25	13
6213-610-005-30	17	1	6215-345-052-00	24	13	6215-629-018-00	25	14
6213-611-003-20	17	2	6215-345-053-00	24	14	6215-629-020-00	25	18
6213-612-004-00	17	9	6215-355-003-00	24	18	6215-629-021-00	25	19
6213-613-002-10	17	8	6215-359-003-00	24	17	6215-629-022-00	25	20
6213-614-003-10	17	12	6215-359-004-00	24	19	6215-629-023-00	25	21
6213-614-006-10	17	17	6215-410-035-10	19	3	6215-629-024-00	25	22
6213-619-002-00	17	11	6215-410-036-10	19	4	6215-629-025-00	25	23
6213-619-003-00	17	10	6215-410-057-00	19	5	6215-629-026-00	25	24
6213-619-005-00	17	16	6215-412-006-00	21	1	6215-629-027-00	25	25
6213-621-003-00	17	6	6215-520-001-00	20	15	6215-629-028-00	25	26
6213-622-002-10	17	5	6215-526-001-10	20	17	6215-629-029-00	25	27
6213-631-002-00	17	3	6215-531-021-00	20	33	6215-629-030-00	25	28
6213-631-005-00	17	4	6215-541-001-00	20	18	6215-629-031-00	25	29
6213-641-002-00	18	2	6215-541-016-30	20	23	6215-629-032-00	25	30
6213-642-002-00	17	7	6215-541-024-10	20	34	6215-629-033-00	25	31
6213-660-007-00	18	1	6215-542-004-20	9	24	6215-629-034-00	25	32
6213-669-008-00	18	3	6215-542-005-00	9	26	6215-629-068-00	25	33

PART CODE	FIG. KEY		PART CODE	FIG. KEY		PART CODE	FIG. KEY	
6215-629-069-00	25	34	6281-129-009-00	26	19	6581-129-092-00	26	15
6215-629-070-00	25	35	6281-129-010-00	26	4	6581-129-096-00	26	16
6215-629-071-00	25	36	6281-129-011-00	26	5	6581-129-099-00	26	13
6215-629-072-00	25	37	6281-129-020-00	26	7	6581-129-100-00	26	14
6215-629-073-00	25	38	6281-151-005-00	26	8	6894-453-344-00	5	21
6215-629-074-00	25	39	6281-200-005-00	22	1	6901-050-850-00	11	20
6215-629-075-00	25	40	6281-213-006-00	27	7	6901-066-645-00	15	16
6215-629-076-00	25	41	6281-214-003-00	27	12	6901-910-612-00	7	4
6215-629-077-00	25	42	6281-214-004-00	27	13		12	5
6215-629-078-00	25	43	6281-215-001-00	27	17		20	14
6215-629-079-00	25	44	6281-216-001-00	27	18		23	7
6215-629-080-00	25	45	6281-217-001-00	27	16	6901-910-614-00	5	26
6215-629-081-00	25	46	6281-221-001-00	27	4	6901-910-616-00	9	40
6215-629-082-00	25	47	6281-222-004-00	27	1	6901-910-625-00	16	7
6215-631-017-00	25	2	6281-229-002-00	27	2	6901-910-816-00	16	11
6215-634-002-00	25	15	6281-229-003-00	27	3	6901-910-830-00	17	32
6215-635-002-00	25	8	6281-229-004-00	27	6	6901-910-840-00	3	4
6215-635-008-00	25	51	6281-229-005-00	27	5	6901-910-845-00	9	15
6215-637-002-00	25	48	6281-229-006-00	27	8		17	13
6215-639-006-00	25	16	6281-229-007-00	27	9	6901-911-020-00	8	3
6215-639-007-00	25	17	6281-229-008-00	27	11		10	2
6215-641-002-00	25	3	6281-229-009-00	27	10	6902-050-610-00	15	13
6215-643-002-00	25	4	6281-229-011-00	27	15	6902-050-816-00	9	46
6215-644-003-00	25	6	6281-229-012-00	27	19	6904-110-818-00	5	19
6215-649-003-00	25	5	6281-229-013-00	27	20	6904-110-822-00	9	5
6215-649-004-00	25	7	6281-229-014-00	27	21		9	50
6215-649-005-00	25	9	6281-229-015-00	27	22	6904-110-840-00	5	20
6215-649-006-00	25	10	6281-229-016-00	27	23	6904-110-850-00	9	7
6215-649-007-00	25	11	6281-229-017-00	27	24	6904-110-855-00	9	6
6219-310-003-10	9	38	6281-229-018-00	27	25	6908-000-716-00	12	3
6219-732-002-00	23	4	6281-229-029-00	27	14		20	10
6219-752-001-00	20	2	6281-271-002-00	27	26	6908-000-750-00	15	4
6219-752-002-00	20	3	6281-410-014-00	23	3	6908-160-408-00	16	5
6219-752-003-00	20	4	6281-910-001-00	23	5	6908-160-510-00	5	18
6219-752-004-00	20	5	6281-920-001-00	23	8		9	8
6219-752-005-00	20	6	6281-971-003-00	23	1	6908-160-816-00	5	16
6281-100-005-00	22	7	6282-450-002-00	23	2		8	4
6281-111-002-00	26	1	6509-000-084-00	9	11		15	7
6281-115-005-00	26	11	6509-605-019-10	5	5	6909-110-406-00	9	37
6281-116-002-00	26	2		9	3		20	38
6281-118-002-00	26	9	6511-321-083-00	9	55	6909-110-408-00	9	53
6281-121-003-00	26	3	6513-770-022-10	17	29		9	57
6281-124-001-00	26	6	6515-419-014-00	21	3		26	22
6281-129-006-00	26	17	6581-117-007-00	26	10	6909-110-410-00	22	6
6281-129-008-00	26	18	6581-123-011-00	26	12		22	9

NUMERICAL INDEX

6004-097-180-00

PART CODE	FIG. KEY	PART CODE	FIG. KEY	PART CODE	FIG. KEY
J061-210-015-00	17 23	6209-050-001-00	9 33	6211-511-003-00	5 11
J062-076-082-00	21 3	6209-050-002-00	9 34	6211-511-004-00	5 12
P117-303-003-00	9 23	6209-300-004-00	8 5	6211-540-001-00	6 1
V201-360-802-00	20 7	6209-300-005-00	5 31	6211-560-001-00	6 3
V203-361-004-50	22 9	6209-360-010-00	21 2	6211-599-001-10	5 13
V210-560-603-00	18 4	6209-360-028-10	2 6		6 2
V211-560-802-00	3 3	6209-409-001-00	9 19		6 4
	9 12	6209-409-003-00	11 18	6211-715-002-00	1 5
	17 19	6209-440-003-00	13 7	6211-721-001-00	1 6
	17 27	6209-490-002-00	2 4	6211-721-002-00	1 7
V211-560-802-50	22 4	6209-500-003-00	9 17	6211-751-001-10	2 2
V341-120-008-00	4 3	6209-580-002-10	20 37	6211-751-002-00	5 32
V411-260-006-00	9 20	6209-587-001-00	13 4	6211-760-012-20	5 30
V523-101-001-80	20 40	6209-605-004-00	1 4	6211-777-007-20	10 1
	15 2	6209-610-001-00	5 3	6212-111-013-10	13 1
V600-110-600-40	20 14	6209-610-002-10	9 3	6212-114-013-10	14 1
V600-110-600-50	9 48	6209-625-001-00	5 14	6212-116-013-10	14 3
V600-110-620-30	20 13	6209-625-002-00	9 7	6212-121-008-00	13 2
V600-150-600-20	15 8	6209-630-002-10	23 7	6212-124-008-00	14 2
V682-200-000-60	1 9	6209-740-001-00	9 27	6212-126-008-00	14 4
V704-140-016-00	11 16	6209-740-004-00	5 17	6212-211-001-10	13 3
V705-140-012-00	9 32	6209-740-005-00	5 18	6212-230-004-00	13 5
V710-140-004-00	20 23	6209-749-001-10	5 15	6212-235-001-00	13 6
	20 33		9 45	6212-261-006-00	13 8
V720-101-900-80	20 36	6209-940-004-00	11 15	6212-264-006-00	6 5
V720-102-401-50	16 9	6211-110-014-20	1 1	6212-266-006-00	6 6
V720-102-401-80	7 3	6211-141-008-20	1 10	6212-310-009-00	15 1
V720-103-502-50	5 33	6211-150-011-00	1 2	6212-330-017-20	15 5
V723-102-002-40	9 37	6211-170-004-10	2 1	6212-333-001-00	15 6
V723-102-005-00	9 44	6211-173-003-00	2 3	6212-370-011-00	15 10
V723-102-005-50	17 31	6211-210-053-00	5 1	6212-371-009-00	15 11
1373-121-001-00	22 5	6211-258-001-00	5 8	6212-372-002-10	15 12
1425-621-004-00	9 15	6211-258-002-00	5 9	6212-379-001-00	15 15
3625-301-002-00	7 2	6211-291-016-00	5 26	6212-511-002-00	12 1
3625-540-004-00	9 39	6211-292-001-20	5 27	6212-521-002-00	15 3
6209-000-002-00	11 19	6211-310-020-00	9 1	6212-522-003-00	12 2
6209-000-003-00	1 11	6211-311-007-20	9 40	6212-523-003-00	12 6
6209-000-004-10	5 2	6211-312-003-10	9 28	6212-524-002-00	20 11
6209-000-013-00	15 9	6211-312-004-10	9 41	6212-530-005-10	9 47
6209-009-001-00	16 6	6211-319-003-00	9 43	6212-531-005-10	5 6
6209-030-005-00	9 8	6211-322-002-00	9 52	6212-535-001-00	12 4
6209-030-006-00	9 14	6211-341-020-30	8 1	6212-535-002-00	20 15
	17 28	6211-342-002-10	8 2	6212-551-001-00	11 1
6209-030-043-00	20 18	6211-361-010-10	7 1	6212-552-001-00	11 2
6209-046-001-00	9 16	6211-510-001-00	5 10	6212-561-001-00	11 3

6004-097-180-00

PART CODE	FIG. KEY	PART CODE	FIG. KEY	PART CODE	FIG. KEY
6212-563-001-00	11 4	6213-716-001-40	17 24	6215-345-010-00	25 17
6212-565-001-00	11 5	6213-721-003-00	17 25	6215-345-011-00	24 18
6212-569-002-00	1 8	6213-721-007-00	5 24		25 18
6212-571-001-10	11 6	6213-729-013-00	17 22	6215-345-012-00	24 19
6212-575-002-00	11 7	6213-743-002-10	17 26		25 19
6212-600-002-00	11 8	6214-111-011-20	3 1	6215-345-013-00	24 20
6212-611-004-10	11 9	6214-115-001-20	3 2		25 20
6212-616-002-00	11 17	6214-141-010-10	4 1	6215-345-014-00	24 21
6212-620-001-10	11 10	6214-145-001-30	4 2		25 21
6212-621-002-10	11 11	6215-300-006-10	19 1	6215-345-015-00	24 22
6212-626-002-10	11 12	6215-300-009-10	19 2		25 22
6212-628-004-00	11 13	6215-311-019-00	24 1	6215-345-016-00	24 23
6212-628-005-00	11 14		25 1		25 23
6213-100-003-20	16 1	6215-315-002-00	19 3	6215-345-017-00	24 24
6213-111-001-20	16 2	6215-330-003-00	25 2		25 24
6213-120-003-00	16 3	6215-330-004-00	24 2	6215-345-018-00	24 25
6213-125-001-00	16 4	6215-331-001-00	25 3		25 25
6213-140-008-00	16 8	6215-331-002-00	24 3	6215-345-019-00	24 26
6213-149-002-00	16 10	6215-332-004-00	24 6		25 26
6213-160-002-00	9 29		25 6	6215-345-020-00	24 27
6213-161-001-00	9 30	6215-339-001-00	24 7		25 27
6213-164-001-00	9 31		25 7	6215-345-021-00	24 28
6213-240-002-00	16 15	6215-342-001-00	24 4		25 28
6213-311-006-00	16 12		25 4	6215-345-022-00	24 29
6213-319-001-00	5 25	6215-343-001-00	24 5		25 29
6213-610-005-30	17 1		25 5	6215-345-023-00	24 30
6213-611-003-20	17 2	6215-345-001-00	24 8		25 30
6213-612-004-00	17 9		25 8	6215-345-024-00	24 31
6213-613-002-10	17 8	6215-345-002-00	24 9		25 31
6213-614-003-10	17 12		25 9	6215-345-025-00	24 32
6213-614-004-10	17 17	6215-345-003-00	24 10		25 32
6213-619-001-00	17 16		25 10	6215-345-026-00	24 33
6213-619-002-00	17 11	6215-345-004-00	24 11		25 33
6213-619-003-00	17 10		25 11	6215-345-027-00	24 34
6213-621-003-00	17 6	6215-345-005-00	24 12		25 34
6213-622-002-10	17 5		25 12	6215-345-028-00	24 35
6213-631-002-00	17 3	6215-345-006-00	24 13		25 35
6213-631-005-00	17 4		25 13	6215-345-029-00	24 36
6213-641-004-00	18 2	6215-345-007-00	24 14		25 36
6213-642-002-00	17 7		25 14	6215-345-030-00	24 37
6213-660-007-00	18 1	6215-345-008-00	24 15		25 37
6213-669-003-00	18 3		25 15	6215-345-031-00	24 38
6213-671-004-00	18 5	6215-345-009-00	24 16		25 38
6213-674-004-10	22 3		25 16	6215-345-032-00	24 39
6213-711-003-20	17 30	6215-345-010-00	24 17		25 39

6004-097-180-00

PART CODE	FIG. KEY	PART CODE	FIG. KEY	PART CODE	FIG. KEY
6509-605-019-10	9 2	6909-110-406-00	20 39		
6511-321-083-00	9 51	6909-110-408-00	9 49		
6513-770-022-10	17 29		9 53		
6581-117-007-00	27 10		27 22		
6581-123-011-00	27 12	6909-110-410-00	22 7		
6581-129-092-00	27 15		22 10		
6581-129-096-00	27 16	6909-110-508-00	9 10		
6581-129-099-00	27 13		11 21		
6581-129-100-00	27 14		17 14		
6894-207-904-00	22 6		17 20		
6894-453-344-00	5 22		20 8		
6901-050-850-00	11 20	6909-111-508-00	27 20		
6901-066-645-00	15 16	6909-150-506-00	15 14		
6901-910-612-00	7 4		20 41		
	12 5	6909-150-508-00	9 11		
	20 16		9 50		
	23 8		9 54		
6901-910-614-00	5 28		17 15		
6901-910-616-00	9 38		17 21		
6901-910-625-00	16 7		20 9		
6901-910-816-00	16 11		27 21		
6901-910-830-00	17 32	6909-150-510-00	22 11		
6901-910-840-00	3 4	6909-164-508-00	11 22		
6901-910-845-00	9 13	6909-202-308-00	9 25		
	17 13	6909-572-008-00	2 5		
6901-911-020-00	8 3	6909-830-212-00	1 12		
	10 2	6909-902-299-00	5 23		
6902-050-610-00	15 13	6909-906-105-10	16 13		
6902-050-816-00	9 42	6909-920-843-00	9 21		
6904-110-814-00	9 4		9 26		
6904-110-818-00	5 20		16 14		
6904-110-822-00	5 21	6911-129-006-00	1 3		
	9 46	6911-129-083-00	5 7		
6904-110-840-00	5 19	6911-219-195-00	5 4		
	17 18				
6904-110-850-00	9 6				
6904-110-855-00	9 5				
6908-000-716-00	12 3				
	20 12				
6908-000-750-00	15 4				
6908-160-408-00	16 5				
6908-160-816-00	5 16				
	8 4				
	15 7				
6909-110-406-00	9 35				

NUMERICAL INDEX

6004-097-190-00

PART CODE	FIG. KEY	PART CODE	FIG. KEY	PART CODE	FIG. KEY
J061-210-015-00	17 23	6209-050-001-00	9 33	6211-511-003-00	5 11
J062-076-082-00	21 3	6209-050-002-00	9 34	6211-511-004-00	5 12
P117-303-003-00	9 23	6209-300-004-00	8 5	6211-540-001-00	6 1
V201-360-802-00	20 7	6209-300-013-00	5 31	6211-560-001-00	6 3
V203-361-004-50	22 8	6209-360-010-00	21 2	6211-599-001-10	5 13
V211-560-802-00	3 3	6209-360-028-10	2 6		6 2
	9 12	6209-409-001-00	9 19		6 4
	17 19	6209-409-003-00	11 18	6211-715-002-00	1 5
	17 27	6209-440-003-00	13 7	6211-721-001-00	1 6
	22 3	6209-490-002-00	2 4	6211-721-002-00	1 7
V211-560-802-50	4 3	6209-500-003-00	9 17	6211-751-001-10	2 2
V341-120-008-00	9 20	6209-580-002-10	20 37	6211-760-012-20	5 30
V411-260-006-00	20 40	6209-587-001-00	13 4	6211-777-007-20	10 1
V523-101-001-80	15 2	6209-605-004-00	1 4	6212-111-013-10	13 1
V600-110-600-40	20 14	6209-610-001-00	5 3	6212-114-013-10	14 1
V600-110-600-50	9 48	6209-610-002-10	9 3	6212-116-013-10	14 3
V600-110-620-30	20 13	6209-625-001-00	5 14	6212-121-008-00	13 2
V600-150-600-20	15 8	6209-625-002-00	9 7	6212-124-008-00	14 2
V682-200-000-60	1 9	6209-630-002-10	23 6	6212-126-008-00	14 4
V704-140-016-00	11 16	6209-740-001-00	9 27	6212-211-001-10	13 3
V705-140-012-00	9 32	6209-740-004-00	5 17	6212-230-004-00	13 5
V710-140-004-00	20 23	6209-740-005-00	5 18	6212-235-001-00	13 6
	20 33	6209-749-001-10	5 15	6212-261-006-00	13 8
V720-101-900-80	20 36		9 45	6212-264-006-00	6 5
V720-102-401-50	16 9	6209-940-004-00	11 15	6212-266-006-00	6 6
V720-102-401-80	7 3	6211-110-014-20	1 1	6212-310-009-00	15 1
V723-102-002-40	9 37	6211-141-008-20	1 10	6212-330-017-20	15 5
V723-102-005-00	9 44	6211-150-011-00	1 2	6212-333-001-00	15 6
V723-102-005-50	17 31	6211-170-004-10	2 1	6212-370-011-00	15 10
1373-121-001-00	22 4	6211-173-003-00	2 3	6212-371-009-00	15 11
1425-621-004-00	9 15	6211-210-046-00	5 1	6212-372-002-10	15 12
3625-301-002-00	7 2	6211-258-001-00	5 8	6212-379-001-00	15 15
3625-540-004-00	9 39	6211-258-002-00	5 9	6212-511-002-00	12 1
6209-000-002-00	11 19	6211-291-016-00	5 26	6212-521-002-00	15 3
6209-000-003-00	1 11	6211-292-001-20	5 27	6212-522-003-00	12 2
6209-000-004-10	5 2	6211-310-012-10	9 1	6212-523-003-00	12 6
6209-000-013-00	15 9	6211-311-007-20	9 40	6212-524-002-00	20 11
6209-009-001-00	16 6	6211-312-003-10	9 28	6212-530-005-10	9 47
6209-030-005-00	9 8	6211-312-004-10	9 41	6212-531-005-10	5 6
6209-030-006-00	9 14	6211-319-003-00	9 43	6212-535-001-00	12 4
	17 28	6211-322-002-00	9 52	6212-535-002-00	20 15
6209-030-043-00	20 18	6211-341-032-00	8 1	6212-551-001-00	11 1
6209-030-044-00	18 4	6211-342-002-10	8 2	6212-552-001-00	11 2
6209-031-083-00	22 5	6211-361-010-10	7 1	6212-561-001-00	11 3
6209-046-001-00	9 16	6211-510-001-00	5 10	6212-563-001-00	11 4

6004-097-190-00

PART CODE	FIG. KEY	PART CODE	FIG. KEY	PART CODE	FIG. KEY
6212-565-001-00	11 5	6213-721-003-00	17 25	6215-345-011-00	24 18
6212-569-002-00	1 8	6213-721-007-00	5 24		25 18
6212-571-001-10	11 6	6213-729-013-00	17 22	6215-345-012-00	24 19
6212-575-002-00	11 7	6213-743-002-10	17 26		25 19
6212-600-002-00	11 8	6214-111-011-20	3 1	6215-345-013-00	24 20
6212-611-004-10	11 9	6214-115-001-20	3 2		25 20
6212-616-002-00	11 17	6214-141-010-10	4 1	6215-345-014-00	24 21
6212-620-001-10	11 10	6214-145-001-30	4 2		25 21
6212-621-002-10	11 11	6215-300-006-10	19 1	6215-345-015-00	24 22
6212-626-002-10	11 12	6215-300-009-10	19 2		25 22
6212-628-004-00	11 13	6215-311-019-00	24 1	6215-345-016-00	24 23
6212-628-005-00	11 14		25 1		25 23
6213-100-003-20	16 1	6215-315-002-00	19 3	6215-345-017-00	24 24
6213-111-001-20	16 2	6215-330-003-00	25 2		25 24
6213-120-003-00	16 3	6215-330-004-00	24 2	6215-345-018-00	24 25
6213-125-001-00	16 4	6215-331-001-00	25 3		25 25
6213-140-008-00	16 8	6215-331-002-00	24 3	6215-345-019-00	24 26
6213-149-002-00	16 10	6215-332-004-00	24 6		25 26
6213-160-002-00	9 29		25 6	6215-345-020-00	24 27
6213-161-001-00	9 30	6215-339-001-00	24 7		25 27
6213-164-001-00	9 31		25 7	6215-345-021-00	24 28
6213-240-002-00	16 15	6215-342-001-00	24 4		25 28
6213-311-006-00	16 12		25 4	6215-345-022-00	24 29
6213-319-001-00	5 25	6215-343-001-00	24 5		25 29
6213-610-005-30	17 1		25 5	6215-345-023-00	24 30
6213-611-003-20	17 2	6215-345-001-00	24 8		25 30
6213-612-004-00	17 9		25 8	6215-345-024-00	24 31
6213-613-002-10	17 8	6215-345-002-00	24 9		25 31
6213-614-003-10	17 12		25 9	6215-345-025-00	24 32
6213-614-004-10	17 17	6215-345-003-00	24 10		25 32
6213-619-001-00	17 16		25 10	6215-345-026-00	24 33
6213-619-002-00	17 11	6215-345-004-00	24 11		25 33
6213-619-003-00	17 10		25 11	6215-345-027-00	24 34
6213-621-003-00	17 6	6215-345-005-00	24 12		25 34
6213-622-002-10	17 5		25 12	6215-345-028-00	24 35
6213-631-002-00	17 3	6215-345-006-00	24 13		25 35
6213-631-005-00	17 4		25 13	6215-345-029-00	24 36
6213-641-002-00	18 2	6215-345-007-00	24 14		25 36
6213-642-002-00	17 7		25 14	6215-345-030-00	24 37
6213-660-007-00	18 1	6215-345-008-00	24 15		25 37
6213-669-008-00	18 3		25 15	6215-345-031-00	24 38
6213-671-003-00	18 5	6215-345-009-00	24 16		25 38
6213-674-006-10	22 2		25 16	6215-345-032-00	24 39
6213-711-003-20	17 30	6215-345-010-00	24 17		25 39
6213-716-001-40	17 24		25 17	6215-345-033-00	24 40

PART CODE	FIG. KEY	PART CODE	FIG. KEY	PART CODE	FIG. KEY
6215-345-033-00	25 40	6215-549-010-00	20 30	6219-310-003-10	9 36
6215-345-034-00	24 41	6215-549-012-00	20 42	6219-732-002-00	23 4
	25 41	6215-549-013-00	5 29	6219-752-006-00	20 2
6215-345-035-00	24 42	6215-549-019-00	20 27	6219-752-007-00	20 3
	25 42	6215-549-023-00	20 31	6219-752-008-00	20 4
6215-345-036-00	24 43	6215-549-024-00	20 32	6219-752-009-00	20 5
	25 43	6215-549-027-10	20 26	6219-752-010-00	20 6
6215-345-037-00	24 44	6215-549-028-00	20 25	6281-100-005-00	22 7
	25 44	6215-600-110-00	20 1	6281-111-002-00	27 1
6215-345-038-00	24 45	6215-611-001-00	26 8	6281-115-005-00	27 11
6215-345-039-00	25 45	6215-612-001-00	26 11	6281-116-002-00	27 2
	24 46	6215-619-010-00	26 2	6281-118-002-00	27 9
	25 46	6215-619-022-00	26 10	6281-121-003-00	27 3
6215-345-040-00	24 47	6215-619-027-00	26 1	6281-124-001-00	27 6
	25 47	6215-619-028-00	26 34	6281-129-006-00	27 17
6215-345-041-00	24 48	6215-619-029-00	26 35	6281-129-008-00	27 18
	25 48	6215-621-002-30	20 10	6281-129-009-00	27 19
6215-345-042-00	24 49	6215-622-001-00	26 14	6281-129-010-00	27 4
	25 49	6215-629-001-00	26 12	6281-129-011-00	27 5
6215-345-043-00	24 50	6215-629-002-00	26 13	6281-129-020-00	27 7
6215-355-001-00	25 50	6215-629-003-00	26 20	6281-151-005-00	27 8
	25 53	6215-629-004-00	26 21	6281-200-005-00	22 1
6215-355-002-00	24 53	6215-629-005-00	26 22	6281-213-006-00	28 7
6215-359-001-00	24 51	6215-629-006-00	26 23	6281-214-003-00	28 12
	25 51	6215-629-007-00	26 24	6281-214-004-00	28 13
6215-359-002-00	24 52	6215-629-008-00	26 25	6281-215-001-00	28 17
	25 52	6215-629-009-00	26 26	6281-216-001-00	28 18
6215-410-006-10	19 4	6215-629-010-00	26 27	6281-217-001-00	28 16
6215-410-007-10	19 5	6215-629-011-00	26 28	6281-221-001-00	28 4
6215-410-008-10	19 6	6215-629-012-00	26 29	6281-222-004-00	28 1
6215-412-007-00	21 1	6215-629-013-00	26 30	6281-229-002-00	28 2
6215-520-001-00	20 17	6215-629-014-00	26 31	6281-229-003-00	28 3
6215-526-001-10	20 19	6215-629-015-00	26 32	6281-229-004-00	28 6
6215-531-021-00	20 34	6215-629-016-00	26 33	6281-229-005-00	28 5
6215-541-001-00	20 20	6215-631-001-00	26 9	6281-229-006-00	28 8
6215-541-016-30	20 24	6215-634-001-00	26 18	6281-229-007-00	28 9
6215-541-024-10	20 35	6215-635-001-00	26 16	6281-229-008-00	28 11
6215-542-004-20	9 22	6215-637-001-00	26 15	6281-229-009-00	28 10
6215-542-005-00	9 24	6215-639-004-00	26 17	6281-229-011-00	28 15
6215-542-006-00	20 22	6215-639-005-00	26 19	6281-229-012-00	28 19
6215-543-002-10	20 21	6215-641-001-00	26 7	6281-229-013-00	28 20
6215-546-003-00	9 18	6215-643-001-00	26 3	6281-229-014-00	28 21
6215-549-006-00	20 28	6215-644-008-00	26 4	6281-229-015-00	28 22
6215-549-007-10	20 38	6215-649-001-00	26 5	6281-229-016-00	28 23
6215-549-009-00	20 29	6215-649-002-00	26 6	6281-229-017-00	28 24

6004-097-190-00

PART CODE	FIG. KEY	PART CODE	FIG. KEY	PART CODE	FIG. KEY
6281-229-018-00	28 25	6904-110-855-00	9 5		
6281-229-029-00	28 14	6908-000-716-00	12 3		
6281-271-002-00	28 26		20 12		
6281-410-002-20	23 3	6908-000-750-00	15 4		
6281-910-003-00	23 5	6908-160-408-00	16 5		
6281-920-001-00	23 8	6908-160-816-00	5 16		
6281-971-003-00	23 1		8 4		
6282-450-002-00	23 2		15 7		
6509-000-084-00	9 9	6909-110-406-00	9 35		
6509-605-019-10	5 5		20 39		
6511-321-083-00	9 2 9 51	6909-110-408-00	9 49 9 53		
6513-770-022-10	17 29		27 22		
6581-117-007-00	27 10	6909-110-410-00	22 6		
6581-123-011-00	27 12		22 9		
6581-129-092-00	27 15	6909-110-508-00	9 10		
6581-129-096-00	27 16		11 21		
6581-129-099-00	27 13		17 14		
6581-129-100-00	27 14		17 20		
6894-453-344-00	5 22		20 8		
6901-050-850-00	11 20	6909-111-508-00	27 20		
6901-066-645-00	15 16	6909-150-506-00	15 14		
6901-910-612-00	7 4 12 5 20 16	6909-150-508-00	20 41 9 11 9 50		
6901-910-614-00	23 7 5 28		9 54 17 15		
6901-910-616-00	9 38		17 21		
6901-910-625-00	16 7		20 9		
6901-910-816-00	16 11		27 21		
6901-910-830-00	17 32	6909-150-510-00	22 10		
6901-910-840-00	3 4	6909-164-508-00	11 22		
6901-910-845-00	9 13 17 13	6909-202-308-00	9 25		
6901-911-020-00	8 3	6909-572-008-00	2 5		
		6909-830-212-00	1 12		
6902-050-610-00	10 2 15 13	6909-902-299-00	5 23		
6902-050-816-00	9 42	6909-906-105-10	16 13		
6904-110-818-00	5 20	6909-920-843-00	9 21		
6904-110-822-00	5 21		9 26 16 14		
6904-110-840-00	9 4 9 46 5 19 17 18	6911-129-006-00	1 3		
		6911-129-083-00	5 7		
6904-110-850-00	9 6	6911-219-195-00	5 4		

NUMERICAL INDEX

1683-097-100-00

PART CODE	FIG. KEY	PART CODE	FIG. KEY	PART CODE	FIG. KEY
J061-116-025-00	49 13	V120-366-001-60	90 13	V201-361-202-50	60 9
J061-210-012-00	6 15		94 26		61 9
J061-210-015-00	1 26	V120-376-001-20	75 17	V201-361-203-00	37 9
	2 25		76 20		55 13
J061-224-032-00	1 22	V200-260-501-0B	7 6		56 13
	2 21		8 6		70 20
J061-230-038-00	1 20	V200-260-601-60	91 2	V201-361-204-00	62 16
	2 19	V200-260-605-50	49 3	V201-361-206-00	62 17
J061-236-044-00	1 19	V200-360-604-00	30 14	V203-261-002-00	48 5
	1 23		31 13	V203-361-002-00	7 11
	2 18		33 34		8 9
	2 22	V201-260-801-20	33 26		48 2
J061-242-050-00	4 8	V201-260-801-60	62 26	V203-361-002-50	50 2
	5 8	V201-260-802-50	15 3		50 6
J061-247-055-00	4 10	V201-260-803-00	70 3	V203-361-003-00	3 3
	5 10	V201-260-803-50	16 20		3 9
J062-081-087-00	6 18		17 21		3 13
J062-111-120-00	6 16	V201-260-806-00	16 19	V210-260-603-00	67 19
K185-031-302-00	45 5		17 20		68 28
K185-031-303-00	45 6	V201-260-806-50	6 11	V210-260-604-50	67 5
K211-001-000-00	64 8	V201-260-808-00	4 13		68 12
K211-001-006-20	107 2		5 13		69 12
K211-001-007-00	107 3	V201-260-813-00	65 2	V210-360-601-20	1 8
K211-001-008-00	107 4		94 27		2 9
K211-001-009-00	107 5	V201-261-004-50	35 4	V210-360-601-60	73 10
K211-001-100-10	107 1		36 5		73 13
K211-008-011-00	108 5	V201-261-202-50	32 2		74 12
K233-002-003-00	108 2		50 9		74 15
K233-002-004-00	108 3		70 42		86 4
K233-002-005-00	108 4		79 6		91 21
K233-003-000-00	49 9		80 6		92 24
K233-003-001-00	108 1	V201-261-203-50	55 7		92 27
K250-001-000-00	62 11		56 7	V210-360-602-00	16 33
K250-001-009-00	62 13	V201-261-205-00	35 3		17 34
K250-019-000-10	107 9		36 4		33 30
P113-211-330-00	49 14	V201-360-802-50	70 9	V210-360-602-50	7 23
P120-605-031-00	40 9	V201-360-804-00	38 16	V210-560-603-00	84 10
V111-164-000-60	91 19	V201-361-002-5B	57 40	V211-260-801-60	1 14
V111-165-003-00	95 4	V201-361-002-50	57 39		7 22
V120-264-000-80	91 6	V201-361-008-50	45 20		8 21
	92 4	V201-361-009-00	33 2		13 6
V120-265-001-00	91 8	V201-361-010-00	62 5		13 10
	92 6	V201-361-202-50	13 4		14 6
V120-366-001-20	1 9		14 4		14 10
V120-366-001-60	89 5		57 42		14 29

1683-097-100-00

PART CODE	FIG. KEY	PART CODE	FIG. KEY	PART CODE	FIG. KEY
V211-260-801-60	64 21 67 6 67 23 68 13 68 32	V211-360-801-60	80 9 80 19 82 5 83 2 92 29	V220-540-802-50 V251-261-202-5C V251-261-203-50 V251-341-003-5C	69 17 16 8 17 8 34 35 56 15
V211-260-802-00	69 13 69 32 88 17 13 29 22 8	V211-360-802-00	1 30 4 12 5 12 30 19 31 17	V252-261-004-00 V252-261-005-50 V252-261-204-50	16 9 17 9 16 10 17 10 16 11
	23 11 38 15 39 15 51 13 52 12		49 19 79 12 80 13 80 15 81 2	V252-341-003-00	17 11 16 3 16 12 17 3 17 13
V211-260-802-50 V211-260-805-00	68 9 69 9 82 11 62 21 64 9	V211-360-802-50	81 4 82 12 83 6 84 17 41 25	V252-341-003-50 V252-341-203-00 V252-341-204-50	16 4 17 4 16 13 17 14 17 12
V211-261-002-00 V211-261-003-00 V211-360-801-60	30 17 16 31 17 32 1 17 2 13	V211-360-803-00	57 30 77 24 78 25 82 9 22 2	V273-360-601-20 V290-106-001-20 V301-260-006-00	1 5 2 5 71 8 72 7 9 5
	2 16 3 6 7 2 8 2 9 9	V211-360-804-00 V211-361-002-50 V211-361-003-50	23 2 2 29 33 48 84 3 16 14	V301-460-006-00 V304-260-008-00	10 6 30 15 31 14 33 35 15 4
	10 10 10 13 13 33 14 33 24 7	V211-361-005-00 V211-560-802-00 V211-560-802-50	84 4 22 17 23 17 57 36 16 28		15 13 22 5 23 5 24 5 38 17
	66 4 71 5 72 4 73 14 75 8	V211-561-001-60 V211-561-003-00 V211-561-003-50	17 29 57 35 64 6 57 3 45 16		40 17 41 10 41 22 41 28 68 24
	76 10 77 13 78 13 79 9 79 16	V211-661-003-50 V211-661-004-00 V211-661-004-50 V220-540-802-50	17 15 62 4 62 6 67 10 68 17	V304-260-010-00	69 24 70 4 84 13 92 22 16 7

PART CODE	FIG. KEY	PART CODE	FIG. KEY	PART CODE	FIG. KEY
V304-260-010-00	34 26 35 8 36 9 40 20 45 19	V350-160-006-00 V360-260-006-00	76 6 77 5 78 6 79 14 84 12	V401-160-010-00	33 3 34 25 35 6 36 7 45 17
V304-260-012-00	65 9 34 36 35 10 55 8 56 8	V361-260-006-00 V362-260-008-00	80 22 88 13 34 34 49 20 77 14		48 3 48 6 50 3 50 7 57 41
V304-460-010-00 V304-460-012-00	17 7 62 9 13 30 14 30 35 9		78 14 79 10 80 10 88 4 88 18	V401-160-012-00	62 8 87 6 13 5 13 31 14 5
V305-260-008-00 V305-260-012-00	41 40 63 9 70 10 85 5 34 37	V363-260-008-00	7 3 8 3 73 11 74 13 85 12		14 31 32 3 35 5 36 6 37 10
V327-262-110-00	40 19 70 14 44 5 44 10 45 3	V401-160-006-00 V401-160-008-00	49 4 4 14 5 14 6 12 16 21		50 10 55 14 56 14 57 43 60 10
V328-262-110-00	45 9 58 5 12 6 43 3 43 8		17 22 26 3 26 11 33 27 34 11		61 10 62 18 70 21 70 43 79 7
V334-260-010-00 V334-260-020-00 V334-460-010-00	43 14 87 7 46 3 47 3 7 12		38 18 65 3 68 23 69 23 70 5	V401-160-020-00 V411-260-004-00	80 7 46 4 47 4 51 10 52 9
	8 10 13 7 14 7 46 6 47 6	V401-160-010-00	94 28 3 4 3 10 3 14 7 13	V411-260-005-00	91 5 92 3 64 17 88 2 91 7
V350-160-006-00	71 9 72 8 73 6 74 8 75 4		8 11 13 8 14 8 16 5 17 5	V411-260-006-00	92 5 95 5 9 4 10 5 11 2

1683-097-100-00

PART CODE	FIG. KEY	PART CODE	FIG. KEY	PART CODE	FIG. KEY	
V411-260-006-00	12 10	V500-162-001-50	33 43	V523-101-002-40	57 4	
	15 8		64 13		57 29	
	64 14		64 16		57 38	
	75 5		77 11		V530-240-502-40	34 22
	76 9		78 11		V580-140-402-00	11 7
V411-260-008-00	2 31	V500-162-002-00	11 3	V580-140-403-60	62 24	
	15 15		15 9		V580-140-502-00	25 9
	16 22		25 5		V580-140-502-50	66 2
	17 23		34 32			25 16
	25 7		40 14			30 10
	26 4		41 15		31 9	
	26 12		41 19		53 13	
	33 42		43 4		54 13	
	34 31		43 9		V580-140-502-80	41 38
	40 8		43 15		V580-140-503-20	70 26
	40 13	V500-162-002-50	73 20	V580-140-601-60	20 6	
	41 14		74 21		V580-140-602-50	33 45
	41 18		44 9		V580-140-603-20	13 23
	41 27		45 13			14 23
	41 41		58 4			51 6
	73 19	V500-162-501-50	12 11	V580-140-604-00	52 6	
	74 20	V500-162-502-00	41 29		33 9	
	77 10		41 42		V580-140-802-80	41 37
	78 10		44 4		V600-110-600-50	57 9
	85 3		70 17			57 21
V411-260-010-00	94 29	V500-162-502-50	12 7	V600-110-600-80	57 12	
	7 14		30 4		V600-110-600-90	34 12
	8 12		31 4		V600-110-601-00	34 13
	12 5		46 11			53 15
	16 6		47 10			54 15
	17 6	V500-163-001-50	15 16	V600-110-620-40	18 3	
	43 5	V500-163-002-00	13 18		21 4	
	43 10		14 17		27 11	
	43 16	V500-164-002-50	70 31		28 13	
	62 7	V511-100-805-00	40 2		V600-110-620-50	33 16
V411-260-012-00	64 7	V522-100-801-60 V522-100-801-80	41 2	V600-110-620-60	57 25	
	65 8		34 9		34 17	
	32 4		16 15		57 26	
	70 44		16 23		V600-110-620-80	37 6
	77 9		17 16		V600-110-630-40	19 11
V411-260-014-00	79 8		17 24		21 3	
	80 8		35 7		27 2	
	46 10		36 8		28 2	
V411-260-016-00	47 9	V523-101-002-40	33 4		33 15	
	70 32		45 18		V600-110-630-50	57 6

PART CODE	FIG. KEY	PART CODE	FIG. KEY	PART CODE	FIG. KEY
V600-110-630-60	37 5	V704-140-030-00	37 7	V720-102-402-10	69 7
V600-110-690-70	57 11	V704-140-035-00	57 13	V720-103-502-80	67 3
V600-110-691-10	53 18		63 6		68 5
	54 18	V705-140-020-00	28 5		68 8
V606-110-520-50	18 4		51 5		69 5
V607-110-620-40	18 8		52 5		69 8
V607-110-620-50	27 8	V705-140-028-00	22 10	V720-103-503-60	48 10
	28 10		23 9	V720-103-504-10	57 34
V607-110-630-40	29 5		67 13	V720-103-504-40	6 7
V653-622-282-00	20 2		68 20	V720-105-705-50	64 2
V654-416-201-70	18 5		69 20	V720-105-707-10	55 11
V654-420-261-70	27 14	V705-140-047-00	57 17		56 11
V654-420-262-70	28 16	V705-140-052-00	19 12	V720-111-900-60	107 8
V682-200-001-00	25 4		27 3	V720-112-401-10	49 7
	26 8		28 3		49 11
	26 18		33 17		49 15
	30 3		53 7	V720-112-401-20	62 12
	31 3		54 7		62 14
	33 12	V706-140-040-00	53 17		62 20
	67 14		54 17		107 7
	68 21		63 5	V720-112-401-40	69 28
	69 21	V706-140-045-00	13 14		108 6
V704-140-014-00	26 14		14 20	V720-112-401-80	67 22
V704-140-020-00	18 9	V706-140-055-00	53 16		68 31
	27 16		54 16		69 31
	29 7	V707-140-055-00	57 14		108 7
V704-140-022-00	20 4	V707-140-062-00	57 7	V720-112-402-00	49 2
	38 7	V707-140-080-00	37 8		67 4
	38 14	V720-101-900-70	62 23		67 18
	39 7		64 20		68 11
	39 14	V720-102-401-00	6 3		68 27
	40 3		26 5		69 11
	41 3		26 13		108 8
V704-140-025-00	18 6		34 24	V720-113-502-50	108 9
	27 9		64 23	V720-113-502-90	45 12
	28 11	V720-102-401-40	25 14	V720-113-504-50	14 18
	33 14		30 7	V721-103-104-50	13 19
	33 39		31 7	V721-103-107-00	55 12
	38 19		33 23		56 12
	39 16	V720-102-401-80	38 5	V721-103-109-00	57 2
	46 15		38 12	V721-113-106-00	62 15
	47 14		39 5	V723-101-501-40	24 2
	53 5		39 12	V723-102-003-00	22 11
	54 5	V720-102-402-00	48 9		23 10
	57 27	V720-102-402-10	68 7	V742-120-320-50	51 12

1683-097-100-00

PART CODE	FIG. KEY	PART CODE	FIG. KEY	PART CODE	FIG. KEY
V742-120-320-50	52 11	V999-200-003-00	59 4	1404-503-006-00	69 22
V742-135-500-60	63 2		59 8	1407-406-002-00	43 12
V744-114-280-70	67 12		60 4	1407-406-004-00	43 13
	68 19		60 8	1414-312-002-00	11 10
	69 19		61 3		65 10
V744-120-350-70	13 20		61 7		73 16
	14 19	W296-134-007-00	71 12		74 17
	18 2		72 11	1415-102-007-00	6 2
	21 5		77 4	1415-102-008-00	6 4
V744-130-450-80	34 18		78 5	1415-102-009-00	6 5
V744-135-520-80	33 19	1105-106-001-00	15 6	1415-102-011-00	6 8
V744-135-550-80	29 8		41 4	1415-102-013-00	6 10
V760-150-000-00	57 37		41 7	1415-312-500-00	40 10
	58 3	1302-225-003-00	25 3		41 12
V763-150-000-00	13 2		30 2	1415-312-600-00	40 11
	14 2		31 2	1415-505-014-00	67 21
	15 5		33 13		68 30
	40 6	1305-241-001-00	82 3		69 30
	41 5	1305-931-003-00	70 34	1416-501-011-00	64 3
	41 8	1326-706-002-10	13 3	1416-621-037-00	7 5
V780-140-000-1T	107 6		14 3		8 5
V781-160-000-6B	33 28		49 5	1421-122-003-00	15 12
V881-005-001-20	60 3	1342-402-006-00	94 11	1421-400-052-00	43 11
	60 7		94 18	1421-502-002-00	70 6
V883-005-001-20	59 3	1376-402-003-00	93 7		70 40
V888-240-081-60	59 7		93 9	1421-507-002-10	64 1
	42 2		94 9	1421-603-004-00	10 15
	42 6		94 15		50 4
V888-240-081-80	42 10		94 17	1421-606-002-00	79 15
	42 14	1386-241-002-00	61 4	1421-906-001-00	106 1
V889-000-081-60	42 3		61 8	1423-520-001-10	70 33
	42 7	1401-906-005-00	106 2	1423-621-003-00	89 6
V889-000-081-80	42 11	1402-511-600-00	70 38		90 14
	42 15	1403-621-031-00	90 6	1424-101-203-00	1 28
V920-550-801-00	106 5		90 8		2 27
V920-551-201-40	106 6		90 10	1424-101-204-00	1 29
V920-551-301-70	106 7		90 12		2 28
V920-551-902-20	106 8	1404-117-008-00	12 4	1425-621-004-00	2 32
V936-150-015-00	106 3	1404-312-006-00	40 12		80 11
V999-200-003-00	42 4		41 13		80 18
	42 8		41 17		94 12
	42 12	1404-402-001-00	45 2	1426-406-203-00	48 8
	42 16		45 8	1426-621-035-00	91 18
	42 19	1404-503-006-00	67 15	1426-621-036-00	91 20
	42 22		68 22	1427-111-229-00	4 15

PART CODE	FIG. KEY		PART CODE	FIG. KEY		PART CODE	FIG. KEY	
1427-111-229-00	5	15	1427-301-021-00	34	30	1427-511-270-00	70	22
1427-201-002-50	16	2	1427-306-003-00	36	3	1427-511-273-00	70	23
	17	2	1427-307-002-10	37	2	1427-511-280-00	70	27
1427-201-005-00	16	18	1427-307-003-00	37	3	1427-511-290-00	70	28
	17	19	1427-310-001-00	38	2	1427-511-300-00	70	29
1427-201-007-00	16	16		38	9	1427-511-310-00	70	2
	17	17		39	2	1427-511-320-00	70	12
1427-201-008-00	16	17		39	9	1427-601-003-00	25	15
	17	18	1427-310-003-10	38	6	1427-611-001-00	82	7
1427-201-012-00	16	24		38	13		83	4
1427-201-013-00	17	25		39	6	1427-621-002-10	10	2
	16	25		39	13	1427-621-006-00	10	11
	17	26	1427-310-220-10	38	3	1427-621-007-00	9	6
1427-201-014-00	16	26		38	10	1427-621-008-00	91	1
	17	27		39	3	1427-621-011-00	91	22
1427-201-015-00	16	27		39	10	1427-621-012-00	84	8
	17	28	1427-310-230-00	38	4	1427-621-263-00	87	3
1427-201-016-00	35	12		39	4	1427-621-264-00	87	4
	36	11	1427-310-270-00	38	11	1427-621-267-00	87	5
1427-203-002-00	19	4		39	11	1427-934-013-00	99	11
1427-204-003-10	20	3	1427-406-018-00	44	2	1427-941-016-00	98	11
1427-209-200-00	25	11		44	7	1432-616-002-00	40	4
1427-210-003-00	26	2		58	2		41	43
	26	10	1427-431-011-00	51	3	1432-621-006-10	92	20
1427-210-008-10	25	1		52	3		92	31
1427-210-009-00	25	2	1427-431-220-00	51	2	1434-122-002-00	13	17
1427-210-011-00	25	6		52	2		14	16
1427-210-200-00	25	8	1427-432-016-00	53	6	1434-122-007-00	15	11
1427-212-002-00	29	6		54	6	1434-203-002-00	19	10
1427-212-003-20	29	2	1427-433-201-00	51	4	1434-211-004-00	27	5
1427-301-002-20	33	18		52	4		28	7
1427-301-004-00	34	1	1427-433-241-00	44	3	1434-317-201-10	42	1
1427-301-005-00	34	3		44	8		42	5
1427-301-006-00	34	4		45	4	1434-317-281-00	42	18
	34	5		45	10		42	21
1427-301-007-00	34	6	1427-501-003-00	62	3	1434-317-290-00	42	17
1427-301-009-00	34	7	1427-502-003-00	63	7		42	20
1427-301-011-10	34	14	1427-503-006-10	67	1	1434-441-201-10	59	2
1427-301-012-10	34	15	1427-511-001-00	70	16		59	6
1427-301-013-10	34	16	1427-511-002-00	70	15	1434-441-231-00	61	2
1427-301-014-10	34	19	1427-511-003-00	70	24		61	6
1427-301-015-00	34	20	1427-511-004-00	70	25	1434-501-003-00	62	19
1427-301-016-00	34	21	1427-511-005-00	70	30	1434-501-004-00	62	22
1427-301-018-00	34	23	1427-511-220-00	70	13	1434-501-005-00	62	25
1427-301-019-00	34	27	1427-511-250-10	70	35	1434-501-006-00	64	10

1683-097-100-00

PART CODE	FIG. KEY	PART CODE	FIG. KEY	PART CODE	FIG. KEY
1434-502-004-00	63 4	1480-501-003-00	62 2	1544-623-001-00	92 11
1434-503-001-00	64 12	1480-604-204-00	77 3	1544-623-232-00	91 14
1434-503-002-00	64 15		78 4		92 12
1434-503-004-10	68 2	1488-413-023-10	57 10	1544-623-233-00	91 15
	69 2	1488-611-001-00	82 13		92 13
1434-503-250-10	64 19	1488-611-003-10	82 2	1544-623-234-00	91 16
1434-503-260-20	64 22	1488-621-220-10	91 4		92 14
1434-503-320-00	68 1		92 2	1544-623-235-00	91 17
	69 1	1491-120-001-00	13 15		92 15
1434-503-330-00	68 4		14 14	1545-623-003-00	93 10
1434-511-200-20	69 4	1491-203-006-10	19 3	1546-434-001-10	57 22
1434-511-210-00	70 41	1491-204-002-10	20 5	1550-514-290-00	70 36
1434-621-200-00	70 39	1491-211-003-00	27 7	1560-104-006-60	1 25
1434-621-210-20	89 2		28 9	1560-104-010-40	1 27
	10 1	1491-307-201-00	37 4		2 26
1435-120-002-20	13 22	1491-434-017-00	57 24	1560-111-003-20	7 19
	14 22	1491-622-200-00	87 1		8 18
1435-122-002-00	13 16	1493-441-201-00	60 2	1560-132-007-30	40 16
	14 15		60 6		41 21
1435-317-201-10	42 9	1507-216-004-10	53 3	1560-401-004-40	75 7
1435-511-250-10	42 13		54 3		76 8
1435-511-260-00	70 1	1510-328-260-00	41 16	1560-404-002-30	38 20
1435-511-270-00	70 8	1518-306-203-00	55 3	1560-515-004-40	67 16
1444-101-016-10	70 11		56 3		68 25
	49 18	1518-432-250-00	55 2		69 25
1444-102-204-00	6 6		56 2	1560-601-014-30	71 11
1444-314-009-10	16 32	1518-621-320-00	33 24		72 10
	17 33		92 19	1560-601-017-00	71 10
	33 29		92 30		72 9
1444-411-006-00	34 2	1527-604-002-00	75 15	1560-602-001-40	71 2
1444-601-015-00	73 5		76 17		72 2
	74 7	1544-104-205-00	4 4	1560-604-022-70	77 12
1444-621-016-00	78 3		5 4		78 12
	80 3	1544-123-005-00	15 7	1560-630-021-50	95 3
1444-621-242-00	87 2	1544-215-015-00	22 9	1560-664-264-00	93 3
1444-621-251-00	86 2		23 8		94 7
1444-621-311-00	91 9	1544-215-016-00	22 13		94 24
	92 7		23 14	1560-666-212-00	94 3
1444-621-312-00	91 10	1544-219-005-00	23 6		94 14
	92 8	1544-304-006-10	34 10	1561-121-212-40	13 28
1444-621-313-00	91 11	1544-502-003-00	63 1		14 28
	92 9	1544-503-001-20	64 4	1564-201-003-00	57 16
1444-621-320-00	91 12	1544-503-200-20	64 5	1564-304-003-00	22 18
	92 10	1544-603-004-00	85 4		23 18
1480-212-003-00	33 8	1544-623-001-00	91 13	1564-434-222-10	55 5

PART CODE	FIG. KEY	PART CODE	FIG. KEY	PART CODE	FIG. KEY
1564-434-222-10	56 5	1600-120-220-00	13 26	1612-111-002-10	8 16
1566-525-101-00	80 17		14 26	1612-111-230-10	7 20
1568-525-300-10	70 37	1600-120-222-00	13 27		8 19
1572-102-003-00	6 9		14 27	1612-117-200-20	12 1
1575-612-220-00	7 7	1600-120-230-00	13 25	1612-201-002-00	16 30
1575-612-222-00	7 8		14 25		17 31
1575-612-223-00	7 9	1600-203-006-00	19 7	1612-406-001-00	46 14
1575-623-010-00	93 4	1600-306-002-00	36 2		47 13
	94 22	1600-310-270-00	38 1	1612-406-240-10	46 9
1575-623-011-00	93 5		38 8		47 8
1575-623-210-00	91 3		39 1	1612-433-002-00	55 6
	92 1		39 8		56 6
1579-112-230-00	10 7	1600-431-002-00	51 9	1612-433-200-00	55 4
1579-306-001-00	36 1		52 8		56 4
1579-501-002-00	62 10	1600-431-003-00	51 11	1612-434-004-20	57 15
1579-501-200-00	62 1		52 10	1612-434-006-00	57 19
1579-502-001-00	63 3	1600-502-003-00	22 4	1612-434-007-00	57 20
1581-521-642-00	33 37		23 4	1612-434-008-00	57 23
1581-621-290-00	92 25		24 4	1612-434-009-00	57 28
1581-740-116-00	75 10		63 8	1612-505-220-00	66 1
	76 12	1600-514-001-00	70 7	1612-603-002-00	75 11
	80 21	1600-514-002-00	70 18		76 13
1593-102-003-20	2 23	1600-514-003-00	70 19	1612-603-005-00	75 20
1593-102-004-20	2 24	1600-616-006-00	7 15		76 22
1593-112-002-50	9 2		8 13	1612-690-001-00	8 14
	10 3	1600-622-321-00	79 13		93 8
1593-112-051-30	9 3		88 12		94 10
1593-402-051-10	46 13	1600-623-002-00	92 23	1614-102-003-00	1 24
	47 12	1600-623-200-00	92 16	1614-102-213-00	1 3
1593-623-203-00	94 23	1600-623-210-00	92 17		2 3
1593-623-503-00	94 6	1600-623-220-00	92 18	1614-102-214-00	1 4
1594-105-001-00	3 2	1600-624-004-00	94 8		2 4
	3 8	1600-624-201-00	95 1	1614-104-001-00	4 6
	3 12	1600-624-202-00	95 2		5 6
1594-218-001-00	19 2	1600-902-023-00	100 10	1614-117-001-00	12 2
	29 3	1600-904-051-00	97 6	1614-215-006-00	22 14
1594-221-001-00	53 2	1612-102-003-00	1 21		23 13
	54 2	1612-102-005-00	1 11	1614-262-003-00	24 8
1594-654-261-10	88 16		2 11	1614-432-002-00	53 8
1594-904-025-00	98 13	1612-105-002-00	6 17		54 8
	99 14	1612-111-001-00	1 10	1614-432-003-00	53 9
	100 14		2 10		54 9
1600-112-231-00	10 8		7 16	1614-432-004-00	53 10
1600-112-232-00	10 9		8 15		54 10
1600-117-002-00	12 3	1612-111-002-10	7 17	1614-432-005-00	53 11

1683-097-100-00

PART CODE	FIG. KEY	PART CODE	FIG. KEY	PART CODE	FIG. KEY
1614-432-005-00	54 11	1636-437-210-00	61 5	1640-903-072-00	102 14
1614-432-006-00	53 12	1636-901-005-00	97 13	1640-903-075-00	102 15
	54 12	1637-102-202-00	1 2	1640-903-076-00	102 2
1614-433-212-00	55 10		2 2	1640-903-077-00	102 3
	56 10	1640-902-005-00	97 14	1640-903-078-00	102 4
1614-435-004-00	57 45	1640-902-006-00	97 15	1640-903-079-00	102 5
1614-437-211-00	59 1	1640-903-005-00	99 15	1640-903-081-00	102 6
	59 5	1640-903-006-00	99 2	1640-903-082-00	102 7
	60 1	1640-903-007-00	99 3	1640-903-083-00	102 8
	60 5	1640-903-008-00	99 4	1640-903-085-00	102 9
1614-501-015-10	82 6	1640-903-009-00	99 5	1640-903-086-00	102 10
	83 3	1640-903-011-00	99 6	1640-903-087-00	102 11
1614-505-002-00	65 5	1640-903-012-00	99 7	1640-903-089-00	102 12
1614-505-003-00	65 6	1640-903-013-00	99 8	1640-903-091-00	102 16
1614-505-004-00	65 7	1640-903-015-00	99 9	1640-903-092-00	103 16
1614-505-007-00	66 5	1640-903-016-00	99 10	1640-903-093-00	104 16
1614-603-008-00	75 14	1640-903-019-10	99 12	1640-903-094-00	105 16
	76 16	1640-903-025-00	100 15	1640-904-005-00	98 14
1614-603-018-00	75 6	1640-903-026-00	100 2	1640-904-006-00	98 2
	76 7	1640-903-027-00	100 3	1640-904-007-00	98 3
1614-603-051-00	76 1	1640-903-028-00	100 4	1640-904-008-00	98 4
1614-603-052-00	76 2	1640-903-029-00	100 5	1640-904-009-10	98 5
1614-603-201-10	75 12	1640-903-031-00	100 7	1640-904-011-00	98 6
	76 14	1640-903-032-00	100 6	1640-904-012-00	98 8
1614-603-202-00	76 15	1640-903-033-00	100 8	1640-904-013-00	98 7
1614-690-001-00	93 12	1640-903-035-00	100 9	1640-904-016-00	98 10
1614-690-202-00	94 2	1640-903-036-00	100 11	1640-904-019-00	98 9
1617-102-006-00	2 30	1640-903-039-00	100 12	1640-904-022-00	98 1
1617-435-002-00	57 44	1640-903-045-00	98 15	1640-904-023-00	99 1
1620-255-208-00	33 25	1640-903-046-00	99 16	1640-904-024-00	100 1
1620-410-001-10	50 8	1640-903-047-00	100 16	1640-904-025-00	101 1
1620-626-600-00	80 16	1640-903-048-00	101 16	1640-904-026-00	102 1
1620-680-003-00	92 21	1640-903-052-00	101 14	1640-904-027-00	103 1
1620-690-341-00	94 5	1640-903-055-00	101 15	1640-904-028-00	104 1
1620-903-003-00	97 4	1640-903-056-00	101 2	1640-904-029-00	105 1
1620-904-006-00	98 12	1640-903-057-00	101 3	1640-905-002-00	103 14
1620-904-007-00	99 13	1640-903-058-00	101 4	1640-905-005-00	103 15
1620-904-008-00	100 13	1640-903-059-00	101 5	1640-905-006-00	103 2
1620-904-009-00	101 13	1640-903-061-00	101 7	1640-905-007-00	103 3
1620-904-011-00	97 10	1640-903-062-00	101 6	1640-905-008-00	103 4
1620-904-012-00	102 13	1640-903-063-00	101 8	1640-905-009-00	103 5
1620-904-013-00	103 13	1640-903-065-00	101 9	1640-905-011-00	103 6
1620-904-014-00	104 13	1640-903-066-00	101 11	1640-905-012-00	103 7
1620-904-015-00	105 13	1640-903-067-00	101 10	1640-905-013-00	103 8
1636-437-210-00	61 1	1640-903-069-00	101 12	1640-905-015-00	103 9

PART CODE	FIG. KEY		PART CODE	FIG. KEY		PART CODE	FIG. KEY	
1640-905-016-00	103	10	1672-102-220-00	1	15	1672-207-200-00	22	3
1640-905-017-00	103	11	1672-102-230-20	1	16		23	3
1640-905-019-00	103	12	1672-102-240-00	1	6	1672-207-230-00	22	12
1640-905-022-00	104	14	1672-103-001-00	3	5	1672-207-240-00	22	7
1640-905-025-00	104	15	1672-103-200-10	3	1	1672-208-001-00	24	9
1640-905-026-00	104	2	1672-105-001-00	6	13		66	6
1640-905-027-00	104	3	1672-105-210-00	6	1	1672-208-200-20	24	1
1640-905-028-00	104	4	1672-111-001-00	7	18	1672-208-210-20	24	3
1640-905-029-00	104	5		8	17	1672-208-220-00	24	6
1640-905-031-00	104	6	1672-111-200-00	7	1	1672-210-001-00	26	1
1640-905-032-00	104	7		8	1	1672-210-002-00	26	6
1640-905-033-00	104	8	1672-111-210-00	7	4	1672-210-003-10	26	9
1640-905-035-00	104	9		8	4	1672-210-004-00	26	15
1640-905-036-00	104	10	1672-111-220-20	7	10	1672-210-005-00	26	16
1640-905-037-00	104	11	1672-111-230-00	7	21	1672-211-009-10	27	10
1640-905-039-00	104	12		8	20		28	12
1640-905-042-00	105	14	1672-112-200-00	9	8	1672-212-001-00	29	1
1640-905-045-00	105	15	1672-112-220-10	9	7	1672-212-002-10	29	4
1640-905-046-00	105	2	1672-112-240-00	9	1	1672-216-310-00	30	6
1640-905-047-00	105	3	1672-116-001-00	11	6		31	6
1640-905-048-00	105	4	1672-116-200-10	11	5	1672-301-001-00	34	29
1640-905-049-00	105	5	1672-120-001-00	13	21	1672-301-002-00	34	8
1640-905-051-00	105	6	1672-120-002-10	13	11	1672-301-210-00	34	33
1640-905-052-00	105	7		14	11	1672-312-001-00	40	22
1640-905-053-00	105	8	1672-120-003-00	13	12	1672-312-200-00	40	1
1640-905-055-00	105	9		14	12	1672-312-220-10	40	5
1640-905-056-00	105	10	1672-120-004-00	13	13	1672-312-230-10	40	18
1640-905-057-00	105	11		14	13	1672-312-250-00	40	15
1640-905-059-00	105	12	1672-120-200-30	13	1	1672-402-200-00	44	1
1650-104-201-00	4	5	1672-120-220-00	13	9	1672-403-003-00	45	11
	5	5		14	9	1672-406-201-00	46	2
1650-259-010-00	26	7	1672-122-001-10	15	14		47	2
	26	17	1672-122-002-00	15	10	1672-406-210-00	46	1
1650-432-001-00	53	4	1672-122-003-00	15	2	1672-406-220-00	46	8
	54	4		41	11		47	7
1650-508-002-00	108	10	1672-122-200-10	15	1	1672-406-230-00	46	12
1650-650-222-00	93	2	1672-201-003-00	16	29		47	11
1650-650-246-00	94	20		17	30	1672-407-220-00	48	4
1650-652-253-20	94	21	1672-201-004-00	16	1	1672-408-001-30	49	1
1656-401-220-00	43	6	1672-202-002-10	18	7	1672-408-002-00	49	12
1656-401-222-00	43	7	1672-207-001-00	22	1	1672-408-200-00	49	8
1672-102-001-00	1	18		23	1	1672-408-210-00	49	6
1672-102-003-00	1	12	1672-207-002-10	22	16	1672-408-230-00	49	10
1672-102-004-00	1	13		23	16	1672-410-200-00	50	1
	2	12	1672-207-003-00	22	6	1672-431-001-00	51	1

1683-097-100-00

PART CODE	FIG. KEY	PART CODE	FIG. KEY	PART CODE	FIG. KEY
1672-431-210-00	51 8	1672-602-230-00	73 15	1672-611-001-00	82 8
1672-432-200-00	53 1		74 16	1672-611-200-10	82 4
1672-433-001-00	55 1	1672-602-240-00	73 9		83 1
1672-433-200-00	55 9		74 11	1672-611-210-10	82 10
	56 9	1672-602-250-10	73 18		83 5
1672-434-002-00	57 5		74 19	1672-616-002-00	84 6
1672-434-003-00	57 8	1672-603-001-00	75 1	1672-616-003-00	84 9
1672-502-002-00	63 10	1672-603-002-00	75 2	1672-670-001-10	89 1
1672-503-200-00	64 11	1672-603-003-00	75 3	1672-670-200-00	89 3
1672-503-210-00	64 18	1672-603-004-00	75 18		90 3
1672-505-002-00	66 3		76 21	1672-690-210-10	93 1
1672-505-200-00	65 1	1672-603-005-00	75 19	1672-690-212-00	93 6
1672-505-210-00	65 4		76 19	1672-690-220-00	93 11
1672-508-200-10	67 2	1672-603-006-00	75 13	1672-902-013-00	93 13
1672-508-220-10	67 17	1672-603-200-00	75 16	1673-105-002-00	46 5
1672-508-230-20	67 20		76 18		47 5
1672-508-250-00	69 27	1672-604-003-00	77 8	1674-619-200-00	85 6
1672-508-260-10	67 7		78 9	1674-619-202-00	85 7
1672-508-262-00	67 8	1672-604-004-00	77 15	1674-619-203-00	85 8
	68 15	1672-604-005-00	77 16	1674-619-204-00	85 9
	69 15		78 16	1674-619-205-00	85 10
1672-508-263-00	67 9	1672-604-006-00	77 19	1674-652-200-00	86 5
	68 16		78 21	1674-652-202-00	86 6
	69 16	1672-604-007-00	77 20	1674-654-200-00	88 1
1672-508-264-00	67 11		78 20	1674-654-211-00	88 6
	68 18	1672-604-008-00	77 21		88 9
	69 18		78 19	1674-654-212-00	88 7
1672-508-270-10	68 14	1672-604-200-00	77 6		88 10
	69 14	1672-604-210-00	77 7	1674-654-240-00	88 5
1672-601-001-00	77 17	1672-604-220-00	77 22	1674-654-260-00	88 8
	78 17		78 23	1674-654-270-00	88 14
1672-601-002-00	71 3	1672-604-230-10	77 23	1674-654-272-00	88 15
	77 18	1672-604-240-00	77 1	1674-664-200-00	92 28
	78 18	1672-604-250-00	77 2	1675-102-002-00	1 7
1672-601-200-00	71 1	1672-606-001-00	79 4		2 8
1672-601-210-00	71 7		80 4	1675-102-004-00	2 17
1672-602-001-00	73 3	1672-606-002-00	79 5	1675-102-006-00	2 20
1672-602-002-00	73 17		80 5	1675-102-200-00	1 1
	74 18	1672-606-210-30	79 2		2 1
1672-602-003-10	73 1	1672-606-220-00	79 11	1675-104-001-00	4 7
	74 1	1672-606-240-30	79 1	1675-104-002-00	4 9
1672-602-004-00	73 2	1672-608-003-00	81 7		5 9
1672-602-210-00	73 8	1672-608-200-00	81 5	1675-104-200-10	4 11
	74 10	1672-608-210-00	81 1	1675-104-210-00	4 1
1672-602-220-10	73 12	1672-608-220-00	81 3		5 1

PART CODE	FIG. KEY	PART CODE	FIG. KEY	PART CODE	FIG. KEY
1675-104-211-00	4 2	1682-205-200-10	21 2	1682-312-004-10	41 34
	5 2	1682-207-200-00	23 7	1682-312-005-00	41 26
1675-104-213-00	4 3	1682-207-210-00	23 12		41 39
	5 3	1682-209-200-20	25 12	1682-312-211-10	41 20
1675-116-001-00	11 4	1682-211-002-20	27 15	1682-312-230-10	41 35
1675-116-210-00	11 1		28 4	1682-312-240-20	41 6
1675-117-210-10	12 9	1682-211-003-00	27 4	1682-312-250-00	41 36
1675-312-051-00	40 7		28 6	1682-312-260-00	41 23
	41 9	1682-211-004-20	27 1	1682-312-300-00	41 30
1675-601-003-00	71 6		28 1	1682-312-310-00	41 32
1675-601-004-00	72 5	1682-211-005-10	27 12	1682-312-320-10	41 1
	71 4		28 14	1682-402-200-30	44 6
1675-602-001-00	73 4	1682-211-006-10	27 13	1682-403-001-30	45 15
	74 6		28 15	1682-403-200-20	45 1
1675-602-004-00	74 4	1682-211-210-00	27 6	1682-403-250-10	45 7
1675-602-005-00	74 5		28 8	1682-406-210-00	47 1
1675-602-007-00	73 7	1682-216-001-10	31 5	1682-407-200-10	48 1
	74 9	1682-216-002-10	30 5	1682-407-210-10	48 7
1675-901-005-00	96 5	1682-216-003-10	31 16	1682-408-220-00	49 17
1678-901-004-00	96 8	1682-216-004-10	30 18	1682-410-200-10	50 5
1682-102-003-00	2 6	1682-216-006-00	30 1	1682-431-001-00	52 1
1682-103-200-00	3 7		31 1	1682-431-210-00	52 7
1682-103-300-00	3 11	1682-216-200-20	30 8	1682-432-200-00	54 1
1682-104-001-00	5 7	1682-216-210-20	30 11	1682-433-001-10	56 1
1682-104-200-00	5 11		31 10	1682-434-001-20	57 1
1682-111-210-00	8 8	1682-216-220-20	30 16	1682-434-004-10	57 32
1682-111-300-00	8 7		31 15	1682-434-005-20	57 33
1682-112-001-00	10 14	1682-218-200-00	32 1	1682-434-006-30	57 31
1682-112-006-00	10 4	1682-255-001-00	33 47	1682-436-210-00	58 1
1682-120-001-00	14 21	1682-255-002-00	33 7	1682-508-001-00	68 3
1682-120-011-00	13 32	1682-255-201-00	33 1		69 3
	14 32	1682-255-202-00	33 6	1682-508-002-00	68 6
1682-120-200-30	14 1	1682-255-203-00	33 5		69 6
1682-201-001-10	17 1	1682-255-204-00	33 10	1682-508-200-10	68 10
1682-202-001-00	18 1	1682-255-205-00	33 11	1682-508-210-10	68 29
1682-202-002-00	18 10	1682-255-210-30	33 21		69 29
1682-202-003-00	18 11	1682-255-301-10	33 40	1682-508-220-10	69 10
1682-202-004-00	18 12	1682-255-302-00	33 41	1682-508-230-00	68 26
1682-203-001-00	19 6	1682-255-310-10	33 31	1682-508-240-00	69 26
1682-203-002-00	19 8	1682-255-320-00	33 36	1682-603-005-00	76 4
1682-203-003-00	19 5	1682-255-330-10	33 44	1682-603-006-00	76 5
1682-203-004-00	19 9	1682-301-200-00	34 28	1682-603-210-00	76 3
1682-203-200-00	19 1	1682-306-001-00	35 1	1682-604-007-10	78 22
1682-204-001-00	20 1	1682-306-002-00	35 2	1682-606-230-10	80 14
1682-205-001-00	21 1	1682-307-001-00	37 1	1682-606-250-20	80 1

1683-097-100-00

PART CODE	FIG. KEY	PART CODE	FIG. KEY	PART CODE	FIG. KEY
1682-606-260-20	80 2	1683-604-200-20	78 7	3693-240-200-00	82 1
1682-606-270-10	80 12	1683-604-210-20	78 8	3737-172-011-00	46 7
1682-616-002-00	84 7	1683-604-230-00	78 24		79 17
1682-616-300-30	84 1	1683-604-240-10	78 1	3768-185-022-10	45 14
1682-616-310-40	84 2	1683-604-250-10	78 2		49 16
1682-616-320-40	84 14	1683-901-003-00	96 6	4101-102-038-00	75 9
1682-616-330-30	84 15	1683-901-004-00	96 7		76 11
1682-616-340-20	84 16	1683-901-005-00	96 1		85 2
1682-640-210-10	85 11	1683-901-006-00	96 2	7955-201-026-00	35 11
1682-660-003-00	88 11	1683-901-007-00	96 3		36 10
1682-660-220-00	88 3	1683-901-008-00	96 4		57 18
1682-670-001-00	90 1	2101-230-001-00	25 13		
1682-670-210-00	90 7		30 12		
1682-670-220-00	90 9		31 11		
1682-670-230-00	90 11		33 32		
1682-670-250-10	90 2	2130-931-200-00	106 9		
1682-690-240-10	94 30	2130-931-210-00	106 4		
1682-690-300-30	94 1	2139-505-002-00	84 5		
1682-690-310-30	94 13	2144-801-008-00	41 24		
1682-690-320-10	94 16	2149-601-031-00	30 13		
1682-690-340-00	94 19		31 12		
1682-690-350-00	92 26		33 33		
1682-690-360-10	94 25	2150-420-008-00	11 9		
1682-902-001-00	97 1	2157-301-220-00	43 1		
1682-902-002-00	97 2	2157-301-222-00	43 2		
1682-902-004-00	97 5	2500-901-027-00	96 9		
1682-902-005-00	97 7	2502-105-002-00	6 14		
1682-902-006-00	97 11	2703-101-020-00	33 22		
1682-902-007-10	97 12	3505-605-007-00	81 6		
1682-902-008-00	97 8	3560-503-302-00	84 11		
1682-902-011-00	97 3	3610-440-018-00	12 8		
1682-902-012-10	97 9	3622-822-008-00	79 3		
1682-902-013-00	97 16	3625-701-003-00	33 20		
1682-902-014-00	97 17	3631-671-003-00	40 21		
1683-102-002-00	2 7	3650-261-261-00	94 4		
1683-102-200-20	2 14	3650-270-214-00	89 4		
1683-102-210-20	2 15		90 4		
1683-112-200-20	10 12	3652-271-220-00	90 5		
1683-601-001-00	72 6	3656-271-280-10	86 1		
1683-601-002-00	72 3	3656-271-282-00	86 3		
1683-601-200-10	72 1	3659-271-220-00	85 1		
1683-602-001-00	74 3	3668-612-001-00	41 31		
1683-602-002-00	74 2		41 33		
1683-602-220-00	74 14	3670-236-003-00	80 20		
1683-604-004-00	78 15	3670-520-008-00	33 38		

DESCRIPTION	REF . NO	DESCRIPTION	REF . NO	DESCRIPTION	REF . NO	DESCRIPTION	REF . NO	DESCRIPTION	REF . NO
ADAPTER(90°/PUMP)	45	BASE,FLASHER	91	BEARING, RB/6306	20	BOLT/M 8X25	5		15
	49	BATTERY ASSY	10	BOLT	1		29		70
ADAPTER/L/PFI/4 ASSY	49	BATTERY/38B20R ASSY	9		1	BOLT/M 8X30	3		70
ADAPTER/PFI/4 ASSY	49	BEARING	19		3	BOLT/M 8X35	9		16
ADAPTER/PF3/8 ASSY	59		22		9		13		17
ARM	11		23		8	BOLT/M 8X60	14		16
ARM/DIFFLOCK	34		28		16		13		17
ARM/KNUCKLE/LH	57		53		18	BOLT/M 8X65	34		6
ARM/PARKING	40		54		18	BOLT/M 8X80	20		4
ARM/PARKING/LH	41		57		11		2		5
ARM/PARKING/RH	41	BEARING/BALL 6205SH2	53		2	BOLT/M06X08/APSET	6		6
ARM/PITMAN	46		54		2	BOLT/M06X32	17		10
	47	BEARING/BALL 6305SH2	19	BOLT(S) M10X30	2	BOLT/M10X1.25X20	31		7
ARM/POSITION	65		29		3		32		8
	66	BEARING/NEEDLE	33	BOLT(S) M6X30	7		19		48
ARM/PTO	30	BEARING, CLUTCH RS	13		15	BOLT/M10X100	28		62
ARM/PTO/MID	33		14	BOLT(S)7	14	BOLT/M10X20	6		48
	33	BEARING, NEEDLE	19	BOLT(S) M8X20	7	BOLT/M10X25	1		57
ARM/SHIFT/MAIN	22	BEARING, NR/KTI62017	18		5	BOLT/M10X30	12		57
	23	BEARING, NR/KTI202617	27		14		12		16
ARM/SHIFT/MID	33	BEARING, NR/TLA222820	20		2	BOLT/M10X35	19		16
ARM/SHIFT/PTO	30	BEARING, RB/5205	18		4		17		17
	31	BEARING, RB/6005	57		9	BOLT/M10X45	19		35
ARM/SHIFT/SUB	24		57		21		12		36
ARM/STEERING	46	BEARING, RB/6008	57		12	BOLT/M10X55	13		16
	47	BEARING, RB/6009	34		12		15		17
ARM, LIFT	63	BEARING, RB/6010	34		13		2		33
ARM, SHIFT	25		53		15	BOLT/M10X90	4		13
BALL	25		54		15	BOLT/M12X25	12		14
	26	BEARING, RB/6204	18		3		6		32
	26		21		4		17		50
	30		27	BOLT(SP)/M6X16	11		10		57
	31		28		13		13		60
	33	BEARING, RB/6204NR	18		8		12		61
	67	BEARING, RB/6205	33		16		15		70
	68		57		25		4		79
	69	BEARING, RB/6205NR	27		8		21		80
BAND/CLEANER	4		28		10	BOLT/M12X30	24		16
	5	BEARING, RB/6206	34		17		27		17
BAND, WIRE/140	93		57	BOLT/KNOB	26		6		37
	93	BEARING, RB/6208	37	BOLT/KNOB/M08X31	6		8		55
	94	BEARING, RB/6304	19		11		9		56
	94		21	BOLT/M 6X16	3		2		70
	94		27	BOLT/M 6X55	2	BOLT/M12X35	3		55
BAND, WIRE/250	94		28	BOLT/M 8X12	2		26		56
	94		33	BOLT/M 8X130	15		2		62
BASE/BATTERY	10	BEARING, RB/6304NR	29		5		27		16
BASE/STEERING	48	BEARING, RB/6305	57	BOLT/M 8X16	6		26		17

DESCRIPTION	REF . NO	DESCRIPTION	REF . NO	DESCRIPTION	REF . NO	DESCRIPTION	REF . NO	DESCRIPTION	REF . NO
BOLT/M12X50	35	BOLT, BATTERY	9	BOLT, SEMS (S)	2	BRACKET/LEVER COMP	69	BRACKET/TANK COMP	7
BOLT/M5X16	36	BOLT, CONNECTOR	10	BOLT, SEMS (S) M8X16	3	BRACKET/REFLECTOR	82	BRACKET/SEAT COMP	88
BOLT/M8X20	75		67		21	BRACKET/SEAT	1	BRACKET/SEAT/F COMP	82
	76		68		30		7		83
	22		69		30		8		82
	23		1		8		13		83
	57		2		9		13		7
BOLT/M8X25	26		30		17		14		7
	26		41		25		14		8
	34		57		30		14		8
BOLT/M8X28	92		77		24		64		38
BOLT/M8X30	22		78		25		67		38
	23		82		9		67		39
	25		1		17		68		39
BOLT/M8X40	38	BOLT, SEMS (SP)	2		13		68		61
BOLT/M8X50	64		2		16		69		61
BOLT/S	45		3		6		69		61
	62		7		2		88		90
	84		8	BOLT, SEMS/M64X45	2		67	BULB/12V 20W	87
BOLT/SEAL	7		9		9		68	BULB/12V 3W	90
	8		10		10		69		90
	57		10	BOLT, SEMS/M8X25 7T	13		16		90
BOLT/SP	7		13		33		17		90
	16		14		33		57		86
	17		24	BOLT, SET COMP	7		68	BULB/12V21W	88
	17		66		4		69		88
	33		71	BOLT, SM/M08X25	5		22	BULB/12V25/25W	86
	33		72		4		23	BULB/12V5W	88
	62		73		14		24		88
	62		75		8		63	BUSH	41
	84		76	BOOT/HORN	10		91		41
BOLT/STUD	16		77		13		92	BUSH/RUBBER	79
	16		78	BOOT/STEERING	13		75	BUSH/08X15X11	11
	16		79		9		76	BUSH/20X38X26	51
	16		79	BOOT, CHANGE	16		22		52
	17		80		9		23	BUSH/25X28X25	46
	17		80	BRACKET/AXLE COMP	19		50		47
	17		82		5		50	BUSH/25X28X27	33
	17		83	BRACKET/CLEANER COMP	2		4	BUSH/35X39X26	55
BOLT/STUD/M10X35	46		92		29		5		56
BOLT/STUD/SEAL	47	BOLT, SEMS (S)	13	BRACKET/FUSE COMP	29		75	BUSH/35X39X30	62
	16		22		8		76	BUSH/40X43X30	62
	17		23		11		94	BUSH/62X67X30	55
BOLT/TRIMED	56		38	BRACKET/LAMP COMP	15		73		56
	15		39		15		74	BUSH, COLUMN	48
	41		51	BRACKET/LAMP/NUMBER	13		88	BUSH, LEVER	10
BOLT/WING/SP	1		52	BRACKET/LEVER COMP	12		7		50
	2		68		9		8	CABLE/ACCELERATOR	12

DESCRIPTION	REF . NO	DESCRIPTION	REF . NO	DESCRIPTION	REF . NO	DESCRIPTION	REF . NO	DESCRIPTION	REF . NO
CABLE/BATTERY ASSY	9	CASE/FINAL	57	CLIP(B)	1	COVER/UNDER/LH COMP	78		7
CABLE/PEDAL ASSY	11	CASE/JOINT ASSY	57		15	COVER/UNDER/RH COMP	77		7
CABLE, BATTERY	10		51	CLIP/HOSE/11.1-12	8		78		8
CABLE, EARTH	9		52	CLIP/HOSE/8.1-8.7	7		57		28
	10	CASE/PTO/MID	33	CLUTCH ASSY	7	COVER/WHEEL	38		3
CABLE, METER	89	CASE/STEERING ASSY	46		1	COVER, BRAKE	38		10
	90		47	CLUTCH, DIFF-LOCK	1		39		3
CAM, DIFF- LOCK	34	CASE/TRANSMISSION/F	17	COLLAR/07X11X11	84		39		10
CAP	1	CASE/TRANSMISSION/FR	16	COLLAR/10X14X09	84	COVER, DUST	44		2
	2	CASE/TRANSMISSION/RE	16	COLLAR/10X22X35	84		44		7
	43		17	COLLAR/20X36X04	27		45		2
	91	CASE, DIFF	34		1		45		8
	92	CASE,OIL FILTER	68	COLLAR/21X36X1	2		58		2
CAP ASSY	7	CASE, SPRING	69	COLLAR/22X34X2	20	COVER, SUB CONTROL	62		19
CAP/FUEL ASSY	8	CASE, SYLINDER	25	COLLAR/25X32X3	2	CRANK, LIFT	63		3
CAP/FUSEBOX/5P	93	CATCHER, HAND	62		1	CUP	6		5
CAP/OIL/30	82	CHAIN/CHECK RH	79	COLLAR/26X36X3	15	CUSHION, RUBBER	5		15
	83	CHAIN, CHECK RH	70		11		5		15
CAP/PARKING	75	CHAIN, LW LINK	70	COLLAR/48X52X17	13	CYLINDER/TIEROD ASSY	45		1
	76	CLAMP/WIRE/10-12	6		2	DIODE	94		3
CAP, SEAL/47	57	CLAMP/WIRE/10-15	1	COLLAR, PINION THRUST	15		94		14
CAP, BATTERY	10	CLAMP/WIRE/24-32	1	COLLAR, SHIFTER	26	DISK, CLUTCH/184 COMP	13		26
CAP, BLANK/M12	35		2	COLLAR, THRUST	25		14		26
	36		1	CONNECTOR	22	DRUM/BRAKE	38		6
CAP, BLANK/52	33	CLAMP/WIRE/30-38	2		21		38		13
CAP, FUSE BOX	94	CLAMP/WIRE/36-44	1	CONTROLLER/STEERING	2		39		6
CAP, OIL ASSY	55		2	COVER	19	ELBOW/90° /L ASSY	49		13
	56		1	COVER ASSY	19	ELEMENT	6		8
CAP, PTO SHAFT	16		2		18	ELEMENT	4		3
	17		2	COVER/CHANGE COMP	22	FACING	13		27
	33		2	COVER/DUSH/F	8	FENDER/LH COMP	80		1
	78	CLAMP/WIRE/42-50	4	COVER/DUSH/R	8	FENDER/LH/X COMP	79		1
	80	CLAMP/WIRE/47-55	5	COVER/DUSH/REAR	5	FENDER/RH COMP	79		2
CAP, STEERING	43	CLAMP/WORM/16-25	49	COVER/DUSH/REAR COMP	5	FILTER/FUEL ASSY	6		1
CAP, TIRE VALVE	42	CLAMP/32	3	COVER/FUSE	32	FILTER/LINE/12X18X15	108		10
	42	CLAMP, HARNESS	2	COVER/HOOD	7	FILTER, OIL COMP	68		1
	42		46	COVER/HOOD COMP	17	FILTER, SUCTION	67		1
	42		78	COVER/SHIELD	80	FLASHER ASSY	92		23
	42		80	COVER/SIDE/LH COMP	18	FLASHER UNIT	91		18
	42		80	COVER/SIDE/RH COMP	18	FLOOR/LH COMP	84		1
	59	CLAMP, RADIATOR HOSE ASSY	49	COVER/SIDE/RH COMP	1	FLOOR/RH COMP	84		2
	59	CLEANER/AIR ASSY	4	COVER/UNDER/LH COMP	5	FORK	70		23
	59	CLIP	5		5	FORK/BRACKET COMP	70		29
CASE/DIFF	53		4		5		70		23
	54		5		5		70		29

DESCRIPTION	REF. NO	DESCRIPTION	REF. NO	DESCRIPTION	REF. NO	DESCRIPTION	REF. NO
FORK/RELEASE	13	GEAR/SPUR/20-23	20	HOLDER/SLEEVE	13	INSULATOR	2
FORK/SHIFT/DIFFLOCK	14	GEAR/SPUR/26	27	COMP	14		2
FORK/SHIFT/FRONT	34	GEAR/SPUR/30	28	HOLDER, BATTERY	9		7
FORK/SHIFT/SUB	25	GEAR/SPUR/32	19	HOLDER, PINION SHAFT	34		7
FORK/SHIFT/1ST	26	GEAR/SPUR/33	18	HOOD	71		8
FORK/SHIFT/2ND	26	GEAR/SPUR/33 COMP	19	HOOD/LAMP	72		8
FUNNEL, PL ASSY	106	GEAR/SPUR/34	27		73		10
FUSE/SLOWBLOW	93	GEAR, DIFF-SIDE/14T	28		74		71
FUSE/15A	93	GEAR, WHEEL/58	33	HOOK, SPRING	62		71
FUSE/32V10A	93	GRILL	34	HOOK, TOP LINK	80		72
	94		37	HORN	91		73
	22		73	HORN ASSY	92		75
	23	GRIP	74	HOSE	1		75
FUSE, BLADE	93	GRIP/SUB	22	HOSE/CLEANER/OUTLET	2		76
	94	GRIP/THROTTLE	80		4		76
GASKET	3	GRIP/03X17X97	20	HOSE/DERIVERY ASSY	4		76
	3	GROMMET	24	HOSE/RADIATOR/INLET	5		77
	67	GUIDE/CHANGE	66		1		77
	67	GUIDE/LEVER/LH COMP	84	HOSE/RADIATOR/OUTLET	2		78
	68	GUIDE/LEVER/RH COMP	84		17		16
	68	GUIDE/PTO/MID	33	HOSE/TANK	2		17
GAUGE/FUEL ASSY	69	HANDLE/ADJUST	40	HOSE/06X10X350	2	INSULATOR/LEVER/SUB	24
	7	HARNESSE/EARTH	25	HOSE/205	1	INSULATOR/LH	66
	4	HARNESSE/ENGINE	70	HOSE/210	2		77
	8	HARNESSE/ENGINE ASSY	93	HOSE/270	2		78
	22	HARNESSE/ENGINE/E4	12	HOSE/290	1	INSULATOR/RH	77
	23	HARNESSE/FUSE ASSY	94	HOSE/350	6		77
GEAR/BEVEL/11	57	HARNESSE/ENGINE/E4 ASSY	93	HOSE/650	6		78
GEAR/BEVEL/12	57	HARNESSE/FUSE ASSY	94	HOUSING/AXLE	55		78
GEAR/BEVEL/15	53	HARNESSE/LAMP	94	HOUSING/AXLE	1	INSULATOR/TANK	7
	54	HARNESSE/MATN/E4 ASSY	88	HOUSING/AXLE/REAR/LH	56		8
	57	HARNESSE/PANEL/E ASSY	15	HOUSING/AXLE/REAR/RH	35	INSULATOR/15X20X420	8
	57	HARNESSE/REAR ASSY	13	HOUSING/CLUTCH COMP	36	INSULATOR/20X40X36	2
GEAR/BEVEL/47	57	HARNESSE/REAR/E4 ASSY	30		35	INSULATOR/30X30X80	72
GEAR/SPUR/14-33	18	HARNESSE, OIL PRESSURE	11	INSULATOR	13	INSULATOR/36	78
GEAR/SPUR/15	18	HARNESSE, SOCKET	16		1		8
	33	HARNESSE, WIRE/NO.9	94	HOUSING, AXLE/REAR/RH	36		93
GEAR/SPUR/16-34	19	HOLDER	95	HUB/09X14X20	2	INSULATOR/565	94
GEAR/SPUR/17-24	19		93	HUB/20X30X62	13	INSULATOR/575	78
GEAR/SPUR/18-20	27	HOLDER/FENDER/LH	62	INSULATOR	14	INSULATOR/75	74
	27		11		70		7
	28		85		1		8
GEAR/SPUR/19	27	HOLDER/FENDER/RH	79		1	JOINT	51
	28		80		1		4
	29		79		1	JOINT, B ASSY	52
GEAR/SPUR/19-25	18	HOLDER/SHAFT/LH ASSY	80		1		51
GEAR/SPUR/20	21	HOLDER/SHAFT/RH ASSY	41		1	KEY ASSY	52
			41		2		91
			32		2		12
			32		2		10

DESCRIPTION	REF . NO	DESCRIPTION	REF . NO	DESCRIPTION	REF . NO	DESCRIPTION	REF . NO	DESCRIPTION	REF . NO
KNOB	25	LABEL/D/STARTER	99	LABEL/W/ETHER/T	103	LABEL/W/SHIELD/T	103	LABEL/W/SHIELD/T	103
	30		100	LABEL/W/ETHER/V	105	LABEL/W/SHIELD/V	105	LABEL/W/SHIELD/V	105
	31		101	LABEL/W/FAN	98	LABEL/4WD	97	LABEL/4WD	97
	33	LABEL/D/STARTER/A	102		99	LABEL,FUEL/D	100	LABEL,FUEL/D	100
	91	LABEL/D/STARTER/H	104		100	LAMP,COMBI/REAR/LH	88	LAMP,COMBI/REAR/LH	88
	92	LABEL/D/STARTER/T	103		101	LAMP/COMBI/REAR/RH	88	LAMP/COMBI/REAR/RH	88
KNOB, LEVER/12	23	LABEL/D/STARTER/V	105	LABEL/W/FAN/A	102	LAMP/FRONT SET	88	LAMP/FRONT SET	88
LABEL/C/BATTERY	98	LABEL/D/DIFF	97	LABEL/W/FAN/H	104	LAMP/HAZARD ASSY	90	LAMP/HAZARD ASSY	90
	99	LABEL/FUEL/A	102	LABEL/W/FAN/T	103	LAMP/HEAD ASSY	86	LAMP/HEAD ASSY	86
	100	LABEL/FUEL/H	104	LABEL/W/FAN/V	105	LAMP/LIGHT ASSY	90	LAMP/LIGHT ASSY	90
	101	LABEL/FUEL/P	101	LABEL/W/MUFFLER	98	LAMP/NUMBERPLAT SFT	88	LAMP/NUMBERPLAT SFT	88
LABEL/C/BATTERY/A	102	LABEL/FUEL/T	103		99	LAMP/TRAILER ASSY	90	LAMP/TRAILER ASSY	90
LABEL/C/BATTERY/H	104	LABEL/FUEL/V	105	LABEL/W/MUFFLER/A	100	LAMP/TURNSIGNAL ASSY	87	LAMP/TURNSIGNAL ASSY	87
LABEL/C/BATTERY/T	103	LABEL/FUSE	97	LABEL/W/MUFFLER/H	104	LAMP,WINKER ASSY	90	LAMP,WINKER ASSY	90
LABEL/C/BATTERY/V	105	LABEL/FUSE/MAIN	94	LABEL/W/MUFFLER/T	103	LEAD COMP	86	LEAD COMP	86
LABEL/C/DRIVE/A	102	LABEL/FUSE/MAIN/B	93	LABEL/W/MUFFLER/V	105	LENS	87	LENS	87
LABEL/C/DRIVE/D	100	LABEL/FUSE/11	99	LABEL/W/RADIATOR	98	LEVER	91	LEVER	91
LABEL/C/DRIVE/F	99		100		100	LEVER	92	LEVER	92
LABEL/C/DRIVE/G	98		101		101	LEVER	12	LEVER	12
LABEL/C/DRIVE/H	104	LABEL/FUSE/11/A	102	LABEL/W/RADIATOR/H	104	LEVER/MAIN COMP	22	LEVER/MAIN COMP	22
LABEL/C/DRIVE/P	101	LABEL/FUSE/11/H	104	LABEL/W/RADIATOR/T	105	LEVER/PARKING COMP	41	LEVER/PARKING COMP	41
LABEL/C/DRIVE/T	103	LABEL/FUSE/11/T	103	LABEL/W/RADIATOR/V	105	LEVER/POSITION COMP	66	LEVER/POSITION COMP	66
LABEL/C/DRIVE/V	105	LABEL/FUSE/11/V	105	LABEL/W/ROPS/A	102	LEVER/PTO/MID COMP	33	LEVER/PTO/MID COMP	33
LABEL/C/SHIFT	99	LABEL/FUSE/4	101	LABEL/W/ROPS/E20	100	LEVER/SUB COMP	24	LEVER/SUB COMP	24
	100	LABEL/FUSE/4/A	102	LABEL/W/ROPS/E30	98	LINING/11X30X02	65	LINING/11X30X02	65
LABEL/C/SHIFT/A	102	LABEL/FUSE/4/H	104	LABEL/W/ROPS/E40P	101	LINING/11X40X03	12	LINING/11X40X03	12
LABEL/C/SHIFT/H	104	LABEL/FUSE/4/T	103	LABEL/W/ROPS/H	97	LINK BRACKET	70	LINK BRACKET	70
LABEL/C/SHIFT/T	103	LABEL/FUSE/4/V	105	LABEL/W/ROPS/T	97	LINK SHIFT ARM	64	LINK SHIFT ARM	64
LABEL/C/SHIFT/V	105	LABEL/FUSE/4/V	105	LABEL/W/ROPS/V	98	LINK/LOWER COMP	70	LINK/LOWER COMP	70
LABEL/GE	96	LABEL/KNOB/OPEN	97	LABEL/W/SHIELD	99	LINK/SPOOL COMP	64	LINK/SPOOL COMP	64
LABEL/COLUMN/LH	97	LABEL/PTO/MID	97	LABEL/W/SHIELD/PTO	100	LINK/SUPPORT COMP	64	LINK/SUPPORT COMP	64
LABEL/COLUMN/RH	97	LABEL/SPEED/STD	97	LABEL/W/SHIELD/A	101	LINK/TOP/RH COMP	70	LINK/TOP/RH COMP	70
LABEL/CONTROL/ADJUST	97	LABEL/START	98	LABEL/W/SHIELD/H	104	LINK,CRANK	64	LINK,CRANK	64
LABEL/CONTROL/MAIN	97		99	LABEL/W/SHIELD/H	104	LINK,FUSIBLE	94	LINK,FUSIBLE	94
LABEL/CONTROL/PARKIN	97	LABEL/SWITCH/P	100	LABEL/W/SHIELD/PTO	98	LINK, TOP LH COMP	70	LINK, TOP LH COMP	70
LABEL/CONTROL/POSITI	97	LABEL/W/ETHER	97		99	LOCKPLATE	40	LOCKPLATE	40
LABEL/CONTROL/PTO	97		101		100	MARK, FUEL	98	MARK, FUEL	98
LABEL/CONTROL/SUB	97		102		101	MARK, FUEL/FR	99	MARK, FUEL/FR	99
LABEL/D/BATTERY	98	LABEL/START/A	104	LABEL/W/SHIELD/PTO/A	102	MARK, FUSE/4	98	MARK, FUSE/4	98
	98	LABEL/START/H	103	LABEL/W/SHIELD/PTO/H	104		99		99
	99	LABEL/START/T	105	LABEL/W/SHIELD/PTO/T	103		100		100
	100	LABEL/START/V	97	LABEL/W/SHIELD/PTO/V	105		16		16
	101	LABEL/SWITCH/P	98		104				
LABEL/D/BATTERY/A	102	LABEL/W/ETHER	99		101				
LABEL/D/BATTERY/H	104		100		102				
LABEL/D/BATTERY/T	103	LABEL/W/ETHER/A	101		104				
LABEL/D/BATTERY/V	105	LABEL/W/ETHER/H	102		104				
LABEL/D/STARTER	98	LABEL/W/ETHER/H	104		105				

DESCRIPTION	REF . NO	DESCRIPTION	REF . NO	DESCRIPTION	REF . NO	DESCRIPTION	REF . NO
METAL/INPUT	17	NUT	40	NUT/M10X1.25	58	NUT,SPEED/P6	73
METAL/PIVOT/Front	55		43	NUT/M12	13		74
	56		43		14		75
METAL/PIVOT/REA ASSY	55		43		34		76
	56		45		34	NUT, TOP LINK LOCK	70
METAL/P.T.O.	16		45		35	O-RING	22
	17		47		35		23
METAL/SHIFT	22		65		40	O-RING G60	62
	23		80		55	O-RING /P41	57
METAL/U	49		88		56	O-RING P6 HS90	107
METAL, DIFF-CASE LH	16	NUT/M 6	9		70	O-RING/G45	13
	17		10	NUT/M22	91	O-RING/G70	55
METAL, DIFF-CASE RH	16		30		92		56
	17		31	NUT/M6	75	O-RING/G90	57
METER/HOUR ASSY	90		33		76	O-RING/P 7	62
METER,SPEED ASSY	89	NUT/M 8	15		77		64
MIRROR ASSY	85		15		78	O-RING/P10A	6
	85		22		79		26
MOLDING/GRILLE/LH	74		23		84		26
MOLDING/GRILLE/RH	74		24	NUT/M8	40		34
MOLDING/METER	97		38		41		64
MONITOR ASSY	89		40		67	O-RING/P12	62
	90		41		68		62
MUFFLER ASSY	3		41		69		62
	3		41		84		107
MUFFLER COMP	3		41	NUT/SPRING	75	O-RING/P14	25
NEEDLE	107		63		76		30
NET/GRILLE	73		68	NUT/WASHER	34		31
	74		69		49		33
NET/WIRE COMP	1		70		77		69
	2		70		78		108
NIPPLE, GREASE	57		85		79	O-RING/P18	38
	58		92		80		38
NIPPLE, GREASE/PT1/4	44	NUT/M06	10		88		39
	44	NUT/M08	85		88		39
	45	NUT/M10	17	NUT, LOCK	92		67
	45		62		92		68
NIPPLE, GREASE/PT1/8	13		87	NUT, LOCK/M8	7		69
	14	NUT/M10 7T P=1.25	7		8		108
	15		8		73	O-RING/P20	48
	40		13		74		49
	41		14		85		67
	41		46	NUT, LOCK/16	70		67
	12		47	NUT, RING	6		68
	16	NUT/M10X1.25	44	NUT, RING/M28X1.0	91		68
	34		44		92		69
	35		45		71		108
	36		45	NUT, SPEED/P6	72	O-RING/P21	68

DESCRIPTION	REF. NO	DESCRIPTION	REF. NO	DESCRIPTION	REF. NO	DESCRIPTION	REF. NO	DESCRIPTION	REF. NO
0-RING/P21	69	PIN	16	PIN, SPLIT/2 X20	34	PIN, YOKE	32		14
0-RING/P28	67		17		16	PIN, YOKE A	14		16
	68		17		24		15		40
	68		33		4		19		41
	69		34		9	PINION/BEVEL SET	4		41
	69		35		7		9		17
0-RING/P36	48		36		8		15		19
0-RING/P44	6		45		18		20		53
0-RING/P55	64		57		4		21		54
0-RING/P71	55		57	PIN, SPLIT/2 X25	44	PINION, DIFF/12T	9		34
	56		57		38	PINION, WHEEL/11.L	13		34
ORNAMENT/STEERING	96	PIN	73		9	PINION, WHEEL/11.R	4		34
	96		74	PIN, SPLIT/2.5X15	12	PIPE/CLEANER/INLET	4		4
ORNAMENT/215/LH	96	PIN SPLIT W 6.0X16	20	PIN, SPLIT/2.5X20	41		29		5
ORNAMENT/215/RH	96	PIN/BRAKE CAM/L COMP	38		4	PIPE/DEL/F COMP	42		68
ORNAMENT/217/LH	96	PIN/BRAKE CAM/R COMP	39		4	PIPE/DEL/F/U COMP	4		69
	96		38		11	PIPE/DEL/R COMP	17		68
ORNAMENT/217/RH	96	PIN/SPLITTED	34	PIN, SPLIT/2.5X25	12		7		69
	96	PIN/SUPPORT COMP	64		22	PIPE/DERIVERY/F COMP	4		67
PACKING	1	PIN/10X32	70		16	PIPE/DERIVERY/R COMP	4		67
	2	PIN/12X75	53		12	PIPE/SUCTION COMP	11		67
	55	PIN/15X42 COMP	46		9		18		68
	56		47		8	PIPE/SUCTION/U COMP	16		69
	62	PIN/16X44	70		30	PIPE/U COMP	49		8
PACKING/PISTON	45	PIN/16X63	70	PIN, SPLIT/4 X25 W	25	PIPE/I23	17		37
PACKING/RUBBER	7	PIN/20X51	33	PIN, SPLIT/4 X25 W	70	PIPE/63	31		27
	8	PIN/22X384	70	PIN, SPRING/4 X20 W	11		31		28
	82	PIN/47X19	57	PIN, SPRING/5 X20 W	25	PISTON	7		64
	83		57		31	PLATE	9		65
PACKING/4X5X6	87	PIN/5X17	64	PIN, SPRING/5 X25 W	66	PLATE COMP	2		9
PACKING,CAP	7	PIN, ADJ	62		15		16		80
	43	PIN, BACK GEAR	20		22	PLATE/BATTERY	10		10
	67	PIN, HAIR	70		34	PLATE/BUMPER	9		50
	68		82		3	PLATE/GRILLE COMP	13		73
	69		63		7		13		74
PACKING, REAR AXLE	36	PIN, LIFT ARM	70	PIN, SPRING/5 X28 W	41	PLATE/GUIDE	38		22
PANEL/METER	89	PIN, LINK	70	PIN, SPRING/5 X32 W	70		26		23
	90	PIN, ROD COMP	64	PIN, SPRING/6 X25 W	33	PLATE/I/30X50	45		33
PEDAL	34	PIN, SEAT SET	82	PIN, SPRING/6 X32 W	13	PLATE/I/70X80	23		13
PEDAL/ACCELERATOR	11	PIN, SPLIT/2 X15	33		2		23		32
PEDAL/BRAKE/LH SET	40		64		13	PLATE/L/50X117 COMP	6		14
	41		64		16	PLATE/LH COMP	6		88
PEDAL/BRAKE/RH COMP	40		77	PIN, SPRING/6 X40 W	33		9		2
	41		78	PIN, SPRING/8 X28 W	41	PLATE/LOCK COMP	37		73
PEDAL/CLUTCH COMP	15		11	PIN, TAPER/8X50	40		2		74
PEDAL/DIFFROCK COMP	34	PIN, SPLIT/2 X20	15		3	PLATE/RH COMP	2		1
PIN	16		25	PIN, TOP LINK	41		2		1
				PIN, YOKE	70		39		2
					13	PLATE/STOPPER	17		81

BP049 1683-097-100-0B

*** ALPHABETICAL INDEX ***

96.06.04 P. 8

DESCRIPTION	REF . NO	DESCRIPTION	REF . NO	DESCRIPTION	REF . NO	DESCRIPTION	REF . NO	DESCRIPTION	REF . NO
PLATE,L/38X116/LH	70	RING, SNAP/14 C	26	RIVET, BLIND	77	SCREWDRIVER ASSY	106	SEAL/DUST	45
PLATE,L/38X116/RH	70	RING, SNAP/20 C	28	ROD	78	SEAL/OIL	55	SEAL/QLNY35571116	57
PLIERS/G150	106		51		15		56	SEAL/RING	16
PLUG	1		52		64		57		30
	2	RING, SNAP/20C	18		73		24		31
	27		9		74		17		17
	107		16	ROD/BRAKE	41		31		45
PLUG/SCREW/SEAL	33	RING, SNAP/22 C	29	ROD/BRAKE	40	COMP	5	SEAL, OIL/TC20357	13
	107		4	ROD/CLUTCH/B	15		10		14
PLUG/7P	95		38	ROD/DRAG	44	ASSY	12		18
PLUG, DRAIN	13		39		44		68		19
	14		7	ROD/LIFT/LH	44		69		19
	14		39		70	COMP	22		4
	16		40	ROD/LIFT/RH	70	COMP	37		20
	17		41	ROD/PISTON	45	ASSY	20		19
	17		19	ROD/STEERING	46	COMP	14		2
PLUG, DRAIN (1/4)	49	RING, SNAP/25	18		47		18		5
	35	RING, SNAP/25 C	27	ROD/TIE	58	ASSY	34		18
	36		27	ROD/130	34		33		19
	57		28	ROD/150	41		29		8
PUMP/GEAR	67		33		41		26		11
	68		33		41		39		52
	69		39	ROD/232	33		41		63
RADIATOR	1		39	ROD, CLUTCH (A)	15		43		6
	1		46	RUBBER, CUSHION	40		53		6
	2		47		41		54		6
REFLECTOR	79		53		85		54		6
	88		54	RUBBER, CUSHION (A)	82		54		6
RELAY/4P	92		57	SCREW	1		70		15
RIM/WHEEL	61		22		70		57		19
	61	RING, SNAP/28 C	23		89		57		44
RIM, R. WHEEL/10LBX15	42		67		90		57		45
	42		67		90		57		45
RING/O	14		68		94		18		7
	24		69	SCREW M4X6	91		18		7
	45	RING, SNAP/30 C	37	SCREW M4X30	91		51		1
	49	RING, SNAP/35 C	57	SCREW M6X20	75		52		1
	49		63		76		27		1
	49		57		80		28		1
	49	RING, SNAP/47 C	57	SCREW/SOCKET	67		21		2
	108	RING, SNAP/52 C	19		67		13		21
RING/SNAP	13		27		68		14		21
	14		28		69		41		34
	37		33	SCREW/SP	75		29		1
	53		53	SCREW, PLUS/M4X8	76		33		10
	53		54		91		48		7
	54	RIVET	13		92		37		1
	54		14	SCREW, PLUS/M5X0.8X8	91		34		2
	57		71		92		57		22
	57		72	SCREW, TAPPING	51		63		1
	63	RIVET, BLIND	71		52		30		1
	64		72		87		31		1

DESCRIPTION	REF. NO	DESCRIPTION	REF. NO	DESCRIPTION	REF. NO	DESCRIPTION	REF. NO	DESCRIPTION	REF. NO
SHIM,DIFF-CASE A	16	SPRING,SHIFTER	30	SWITCH,STARTER SET	2	VALVE	4	VALVE CONTROL ASSY	107
SHIM,DIFF-CASE B	17	SPRING,TENSION	31	SWITCH,STOP	2	VALVE	2	VALVE CONTROL ASSY	64
SHROUD	16	SPRING,TENSION	33	TANK/FUEL COMP	13	VALVE/FLOCON ASSY	24	VALVE/FLOCON ASSY	49
SHROUD	17	SPRING,TENSION	38	TIRE	2	VALVE/RELIEF ASSY	19	VALVE/RELIEF ASSY	107
SHROUD	2	SPRING,TENSION	39	TIRE/4P 500-12	9	VALVE,RELIEF ASSY	30	VALVE,RELIEF ASSY	62
SLEEVE	1	SPRING,TENSION/121	39	TIRE/4P 8-16	2	VIS	1	VIS	6
SPACER	13	SPRING,TENSION/31	39	TIRE/4P 8-18	17	WASHER	1	WASHER	12
SPANNER/ 8X10	14	SPRING,TENSION/53	34	TIRE/4P 8-18	2	WASHER	8	WASHER	12
SPANNER/12X14	29	SPRING,VALVE	64	TIRE,TURF20.5X800-10	30	WASHER	2	WASHER	53
SPANNER/13X17	33	STAY/COVER/LH COMP	64	TIRE,TURF29X12.00X15	10	WASHER	6	WASHER	54
SPANNER/19X22	18	STAY/COVER/RH COMP	11	TRIM/20	10	WASHER	2	WASHER	54
SPANNER,BOX/22	68	STAY/CYLINDER	65	TRIM/350	10	WASHER	2	WASHER	67
SPOOL/FLOCON/1.8	3	STAY/FENDER	73	TRIM/385	16	WASHER	2	WASHER	68
SPOOL/STOPPER	6	STAY/FLOOR/LH COMP	74	TRIM/420	17	WASHER	2	WASHER	68
SPRING	3	STAY/FLOOR/RH COMP	77	TUBE/ 8-16	16	WASHER	2	WASHER	69
	6	STAY/INSULATOR	78	TUBE/ 8-18	17	WASHER	2	WASHER	69
	69	STAY/MIRROR	78	TUBE/SHIFT/MAIN COMP	17	WASHER	2	WASHER	69
	6	STAY/PLATE	79	TUBE/SHIFT/MAIN COMP	17	WASHER	2	WASHER	69
	10	STAY/RELAY	80	TUBE/TIRE	17	WASHER	2	WASHER	69
	5	STAY/SHIFT/PTO	84	TUBE/TIRE	17	WASHER	2	WASHER	69
	6	STAY/SHIFT/1ST	75	TUBE/TIRE	17	WASHER	2	WASHER	69
	7	STAY/SHIFT/2ND	76	TURBUCKLE 12 COMP	11	WASHER	2	WASHER	69
	17	STAY,SHIFTER	85	TURNBUCKLE COMP	11	WASHER	2	WASHER	69
	13	STEERING CAP	85	U-NUT	11	WASHER	2	WASHER	69
	12	STEERING WHEEL ASSY	88	VALVE	11	WASHER	2	WASHER	69
	12	STOPPER	92		11	WASHER	2	WASHER	69
	33	STOPPER/CRANK	31		11	WASHER	2	WASHER	69
SPRING/HC027	108	STRAINER/TANK	26		11	WASHER	2	WASHER	69
SPRING/HC060	22	STUD/M12X35	26		11	WASHER	2	WASHER	69
SPRING/HC094	23	SWITCH	25		11	WASHER	2	WASHER	69
	15	SWITCH ASSY	34		11	WASHER	2	WASHER	69
	41		92		11	WASHER	2	WASHER	69
SPRING/HC64	13		91		11	WASHER	2	WASHER	69
	14		92		11	WASHER	2	WASHER	69
SPRING/WASHER	65	SWITCH,HAZARD ASSY	92		11	WASHER	2	WASHER	69
SPRING,PRESS/22	12	SWITCH,LAMP ASSY	92		11	WASHER	2	WASHER	69
SPRING,PRESS/40	34	SWITCH,SAFETY	92		11	WASHER	2	WASHER	69
SPRING,ROD COVER	40	SWITCH,STARTER ASSY	91		11	WASHER	2	WASHER	69
SPRING,SHIFTER	25		92		11	WASHER	2	WASHER	69

DESCRIPTION	REF . NO	DESCRIPTION	REF . NO	DESCRIPTION	REF . NO	DESCRIPTION	REF . NO
WASHER/24X9X3.2	76	WASHER,SP/M 8	6	WASHER,SP/M12	62		18
	85		16		70		21
WASHER/25X34X02	33		17		70		43
WASHER/26X35X02	46		26		79		7
	47		26		80		7
WASHER/46X70X2	13		33	WASHER,SP/M20	46		4
	14		34		47		4
WASHER/6X14X2	71		38	WASHER,WIRE TENSION	84		11
	72		65	WHEEL	59		1
WASHER/6X14X3	73		68	COMP	59		5
	74		69		60		1
WASHER,PL/M 4	51		70		60		5
	52		94	WHEEL/STEERING ASSY	43		6
WASHER,PL/M 5	64	WASHER,SP/M10	3	WHEEL/16X5JA	42		1
	88		3	COMP	42		5
	91		3	WHEEL/18X06	42		9
	92		7	COMP	42		13
	95		8	WHEEL,STEERING ASSY	43		11
WASHER,PL/M 8	2		13	WIRE	11		8
	15		14		13		24
	16		16		14		24
	17		17		22		15
	25		33		23		15
	26		34		25		10
	26		35		25		17
	33		36		30		9
	34		45		31		8
	40		48		33		46
	40		48		51		7
	41		50		53		14
	41		50		54		14
	41		57	WRENCH,SOCKET/17X19	106		2
	41		62	YOKE COMP	41		16
	73		87	YOKE,LH	40		10
	74	WASHER,SP/M12	13		41		12
	77		13	YOKE,RH	40		11
	78		14	YOKE,SPLINE B	51		3
	85		14		52		3
	94		32				
WASHER,PL/M14	46		35				
	47		36				
WASHER,PL/M4	91		37				
	92		50				
WASHER,SEAL/16	16		55				
	17		56				
WASHER,SP/M 6	49		57				
WASHER,SP/M 8	4		60				
	5		61				