

Directions for use of Parts Catalogue

1. Applicable model of machines

All component and option parts used for SG173H lawn & garden tractors are listed in this parts catalogue.

1) MODEL TYPE

- U..... POWER STEERING
- 48..... SIDE DISCHARGE MOWER: CUTTING WIDTH 48(inch)
- R..... REAR DISCHARGE MOWER
- EXCEPT S... E374-G (ENGINE)
- S..... E374-G01 (ENGINE)
- .

2) AREA CODE

- E20..... GERMANY
- E40..... UNITED KINGDOM & OCEANIA
- E42M..... EUROPE STANDARDIZED MODEL (ILLUSTRATION LABEL)
- E50..... FRANCE
- E50T..... ITALY

2. Explanation for head paragraph

KEY	PART CODE	DESCRIPTION	S P C	TYPE OF MODEL						I T C	C O L	G R P	REMARKS
				SSM48M	SSM48F	SSM48G	SRM48M	SRM48F	SRM48G				
1	8595-211-001-20	CASE/UPPER	*	1									
1A	8657-201-081-00	CASE/UPPER	*	1									
2	8595-211-002-10	CASE/LOWER	*	1									
3	V523-100-801-80	PIN	*	2									
4	V211-260-803-00	BOLT, SEMS	*	6									

- ① KEY shows the location of parts diagramed in the illustration.
- ② Parts numbers begin with `V` and `W` are standard parts of the market.
- ③ `LH` and `RH` on the parts name are described against the moving

direction of the machine or are described on the condition how to install parts on the machines.

- ④ SPC : The following symbol classifies parts to be used for machines.

`*` means standard parts.

`T` shows that the parts can be installed as optional parts.

`R` shows that the parts can be used as applicable parts to replace originally equipped parts.

- ⑤ Upper column : QTY shows the number of parts to be used for one unit of machine.

`M` is indicated for parts supplied by a meter long.

`l` is indicated for parts supplied by liter.

`AR` is indicated for parts need to be adjusted or regulated.

Lower column : serial number

—229 means serial number up to 229.

230— means serial number 230 and after.

- ⑥ ITC : Interchangeability

`1`...OLD ← NEW

New parts can be used in place of the old parts.

`2`...OLD → NEW

Old parts can be used in place of the new parts.

`3`...OLD →← NEW

Old parts and new parts can not be replaced each other.

- ⑦ COL : Color code

Color is signified with color code number for colored parts.

Please see the color list shown in the next page.

- ⑧ GRP : Parts shown in this column can be replaced by SET parts.

Example : Parts marked ① can be replaced by parts marked ②, and ④ for ③, so the rest follow in the same alphabetical order.

- ⑨ Remarks

* Other maker's part code number is shown in this column.

* When Fig. No. is shown in the Remark column of SET parts or ASSY parts, each of their component parts are listed in said Fig. No.

3. Color :

The following colors are used color parts.

COLOR CODE	COLOR	SPRAY TYPE CODE NUMBER	PAINTS 4K DRUM	PAINTS 16K DRUM
4 L	NEO-BLUE	1300-985-001-10	1300-985-003-00	—————
6 G	SUMMER WHITE	1300-958-001-10	1300-958-003-00	1300-958-004-00
7 F	MIRROR BLACK	1300-954-001-10	1300-954-003-00	1300-954-004-00
8 E	SILVER MIST	1300-968-001-10	1300-968-003-00	1300-968-004-00

NOTE : Color code is signified only for the parts assigned by the maker as color parts.

4. Serial Numbers :

1) For engines serial number is stamped on CYLINDER BLOCK ASSY.

Please see Fig. No. 5-1.

2) For chassies serial number is shown on the LABEL.

Please see



5. Parts Order

1) Parts numbers listed in the parts catalogue are all registered in “ISEKI on-line computer” .

2) When you order parts, please make sure of correct numbers.

3) When substitute parts is available, the part number ordered will be

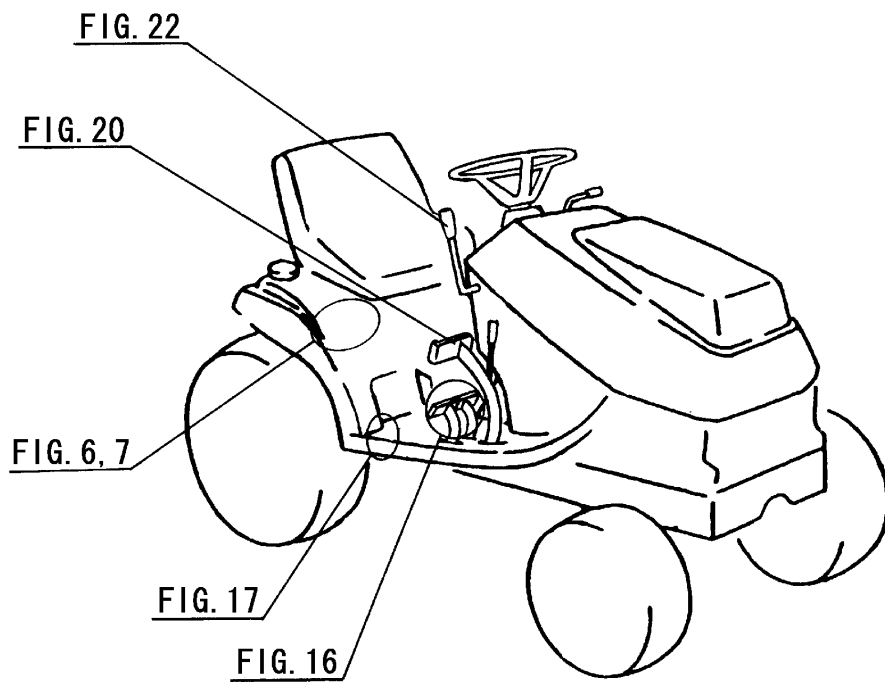
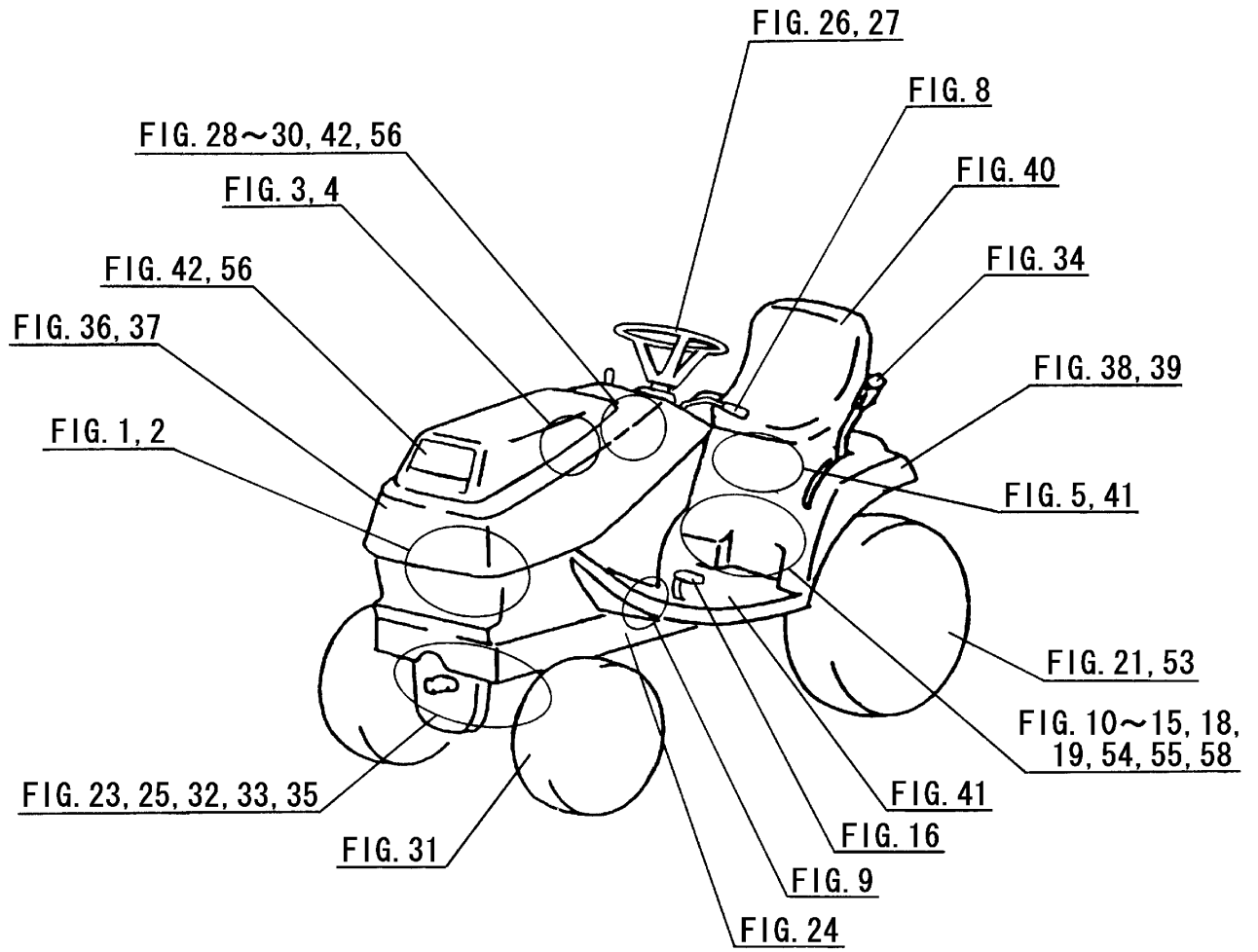
automatically turned to a new part number.

- 4) Please be sure to use "ISEKI GENUINE PARTS" .

Any other similar parts other than ISEKI parts when used may cause a trouble that makes us unable to repair or guarantee the warrant.

***** Structure Table of Model *****

M O D E L	S G	1EEUU	UUUUU	UUUUU	44444	44444	44444	44444	4						
		724EE	44444	44444	88888	88888	88888	88888	8						
		30224	88888	88888	EEEE	EEEE	EEEE	EEEE	R						
		HSM02	EEEE	EEER	2244	4455	55EE		EE						
		SSM	2244	45EE	0000	2200	0044		4						
		S	0000	2004	S	SM	STO		0						
FIG.			S	SM	SO		S		S						
1		*****	*****	*****	*****	*****	*****	*****	*						
2		*****	*****	*****	*****	*****	*****	*****	*						
3		*****	*****	*****	*****	*****	*****	*****	*						
4		*****	*****	*****	*****	*****	*****	*****	*						
5		*****	*****	*****	*****	*****	*****	*****	*						
6		* * *	* * *	* * *	* * *	* * *	* * *	* * *	*						
7		* * *	* * *	* * *	* * *	* * *	* * *	* * *	*						
8		*****	*****	*****	*****	*****	*****	*****	*						
9		*****	*****	*****	*****	*****	*****	*****	*						
10		**							*						
11		*****	*****	*****	*****	*****	*****	*****	*						
12		*****	*****	*****	*****	*****	*****	*****	*						
13		*****	*****	*****	*****	*****	*****	*****	*						
14		**							*						
15		* * *	* * *	* * *	* * *	* * *	* * *	* * *	*						
16		*****	*****	*****	*****	*****	*****	*****	*						
17		*****	*****	*****	*****	*****	*****	*****	*						
18		*****	*****	*****	*****	*****	*****	*****	*						
19		*****	*****	*****	*****	*****	*****	*****	*						
20		*****	*****	*****	*****	*****	*****	*****	*						
21		*****	*****	*****	*****	*****	*****	*****	*						
22		*****	*****	*****	*****	*****	*****	*****	*						
23		*****	*****	*****	*****	*****	*****	*****	*						
24		*****	*****	*****	*****	*****	*****	*****	*						
25		*****	*****	*****	*****	*****	*****	*****	*						
26		* * *	* * *	* * *	* * *	* * *	* * *	* * *	*						
27		**							*						
28		* * *	* * *	* * *	* * *	* * *	* * *	* * *	*						
29		**							*						
30		* * *	* * *	* * *	* * *	* * *	* * *	* * *	*						
31		*****	*****	*****	*****	*****	*****	*****	*						
32		*****	*****	*****	*****	*****	*****	*****	*						
33		*****	*****	*****	*****	*****	*****	*****	*						
34		*****	*****	*****	*****	*****	*****	*****	*						
35		* * *	* * *	* * *	* * *	* * *	* * *	* * *	*						
36		* * *	* * *	* * *	* * *	* * *	* * *	* * *	*						
37		* * *	* * *	* * *	* * *	* * *	* * *	* * *	*						
38		* * *	* * *	* * *	* * *	* * *	* * *	* * *	*						
39		* * *	* * *	* * *	* * *	* * *	* * *	* * *	*						
40		*****	*****	*****	*****	*****	*****	*****	*						
41		*****	*****	*****	*****	*****	*****	*****	*						
42		*****	*****	*****	*****	*****	*****	*****	*						
43		* * *	* * *	* * *	* * *	* * *	* * *	* * *	*						
44		*****	*****	*****	*****	*****	*****	*****	*						
45		* * *	* * *	* * *	* * *	* * *	* * *	* * *	*						



Contents

SG173 (EXCEPT S-TYPE)

ENGINE(E374G)

CYLINDER HEAD.....	Fig. 1
CYLINDER HEAD COVER.....	Fig. 2
INLET MANIFOLD.....	Fig. 3
EXHAUST MANIFOLD.....	Fig. 4
CYLINDER BLOCK.....	Fig. 5
BEARING/UNDER SIZE (OPTION).....	Fig. 6
OIL PAN.....	Fig. 7
REAR PLATE.....	Fig. 8
REAR PLATE.....	Fig. 9
TIMING GEAR CASE.....	Fig. 10
HANGER.....	Fig. 11
VALVE.....	Fig. 12
CAM SHAFT.....	Fig. 13
PISTON.....	Fig. 14
PISTON/OVER SIZE (OPTION).....	Fig. 15
CRANK SHAFT.....	Fig. 16
OIL PUMP.....	Fig. 17
WATER PUMP.....	Fig. 18
WATER PUMP.....	Fig. 19
COOLING FAN.....	Fig. 20
INJECTION NOZZLE.....	Fig. 21
INJECTION PUMP.....	Fig. 22
FUEL PIPE.....	Fig. 23
ADAPTER.....	Fig. 24

ELECTRIC (1).....	Fig. 25
ELECTRIC (1).....	Fig. 26
ELECTRIC (2).....	Fig. 27
REPAIR PARTS (OPTION).....	Fig. 28
COMPONENT PARTS	
FOR 6215-300-005-00 ON Fig.21.....	Fig. 29
COMPONENT PARTS	
FOR 6215-300-030-00 ON Fig.21.....	Fig. 30
COMPONENT PARTS	
FOR 6215-300-037-00 ON Fig.21.....	Fig. 31
COMPONENT PARTS	
FOR 6215-600-088-10 ON Fig.22.....	Fig. 32
COMPONENT PARTS	
FOR 6281-100-003-10 ON Fig.25.....	Fig. 33
COMPONENT PARTS	
FOR 6251-100-014-00 ON Fig.26.....	Fig. 34
COMPONENT PARTS	
FOR 6281-200-007-00 ON Fig.25,26.....	Fig. 35

Contents

SG173 (S-TYPE)

ENGINE(E374G01)

CYLINDER HEAD.....	Fig. 1
CYLINDER HEAD COVER.....	Fig. 2
INLET MANIFOLD.....	Fig. 3
EXHAUST MANIFOLD.....	Fig. 4
CYLINDER BLOCK.....	Fig. 5
BEARING/UNDER SIZE (OPTION).....	Fig. 6
OIL PAN.....	Fig. 7
REAR PLATE.....	Fig. 8
REAR PLATE.....	Fig. 9
TIMING GEAR CASE.....	Fig. 10
HANGER.....	Fig. 11
VALVE.....	Fig. 12
CAM SHAFT.....	Fig. 13
PISTON.....	Fig. 14
PISTON/OVER SIZE (OPTION).....	Fig. 15
CRANK SHAFT.....	Fig. 16
OIL PUMP.....	Fig. 17
WATER PUMP.....	Fig. 18
WATER PUMP.....	Fig. 19
COOLING FAN.....	Fig. 20
INJECTION NOZZLE.....	Fig. 21
INJECTION PUMP.....	Fig. 22
FUEL PIPE.....	Fig. 23
ADAPTER.....	Fig. 24

ELECTRIC (1)..... Fig. 25

ELECTRIC (1)..... Fig. 26

ELECTRIC (2)..... Fig. 27

REPAIR PARTS (OPTION)..... Fig. 28

COMPONENT PARTS

 FOR 6215-300-005-00 ON Fig.21..... Fig. 29

COMPONENT PARTS

 FOR 6215-300-030-00 ON Fig.21..... Fig. 30

COMPONENT PARTS

 FOR 6215-300-037-00 ON Fig.21..... Fig. 31

COMPONENT PARTS

 FOR 6215-600-088-10 ON Fig.22..... Fig. 32

COMPONENT PARTS

 FOR 6281-100-003-10 ON Fig.25..... Fig. 33

COMPONENT PARTS

 FOR 6251-100-014-00 ON Fig.26..... Fig. 34

COMPONENT PARTS

 FOR 6281-200-007-00 ON Fig.25,26..... Fig. 35

COMPONENT PARTS

 FOR 6281-200-016-00 ON Fig.25..... Fig. 36

C o n t e n t s

CHASSIS

ENGINE BRACKET SYSTEM.....	Fig. 1
RADIATOR SYSTEM.....	Fig. 2
MUFFLER AND AIR CLEANER	
(EXCEPT U TYPE) SYSTEM.....	Fig. 3
AIR CLEANER SYSTEM (U TYPE).....	Fig. 4
FUEL FILTER AND FUEL HOSE SYSTEM.....	Fig. 5
BATTERY SYSTEM (EXCEPT M TYPE).....	Fig. 6
BATTERY SYSTEM (M TYPE).....	Fig. 7
ACCELERATOR SYSTEM.....	Fig. 8
DRIVE SHAFT SYSTEM.....	Fig. 9
TRANSMISSION CASE SYSTEM	
(EXCEPT U TYPE).....	Fig. 10
TRANSMISSION CASE SYSTEM (U TYPE).....	Fig. 11
TRANSMISSION GEAR SYSTEM.....	Fig. 12
HST (1) SYSTEM.....	Fig. 13
HST (2) SYSTEM (EXCEPT U TYPE).....	Fig. 14
HST (2) SYSTEM (U TYPE).....	Fig. 15
HST (3) SYSTEM(1/3)-(3/3).....	Fig. 16
HST (UNLOAD) SYSTEM.....	Fig. 17
DIFFERENTIAL GEAR	
AND WHEEL SHAFT SYSTEM.....	Fig. 18
BRAKE SYSTEM.....	Fig. 19
BRAKE PEDAL AND ARM SYSTEM.....	Fig. 20
REAR TIRE SYSTEM.....	Fig. 21
PTO CLUTCH SYSTEM.....	Fig. 22
PTO SHAFT SYSTEM.....	Fig. 23
CHASSIS AND FRONT AXLE SYSTEM.....	Fig. 24

KNUCKLE ARM SYSTEM.....	Fig. 25
STEERING WHEEL SYSTEM (U TYPE).....	Fig. 26
STEERING WHEEL SYSTEM (EXCEPT U TYPE).....	Fig. 27
STEERING SYSTEM (U TYPE).....	Fig. 28
STEERING SYSTEM (EXCEPT U TYPE).....	Fig. 29
POWER STEERING SYSTEM (U TYPE).....	Fig. 30
FRONT TIRE SYSTEM.....	Fig. 31
LIFT SYSTEM.....	Fig. 32
LINK SYSTEM.....	Fig. 33
LIFT CAM SYSTEM.....	Fig. 34
PTO COVER SYSTEM (EXCEPT M TYPE).....	Fig. 35
HOOD SYSTEM (EXCEPT M TYPE).....	Fig. 36
HOOD SYSTEM (M TYPE).....	Fig. 37
FENDER SYSTEM (EXCEPT M TYPE).....	Fig. 38
FENDER SYSTEM (M TYPE).....	Fig. 39
SEAT SYSTEM.....	Fig. 40
FUEL TANK AND STEP SYSTEM.....	Fig. 41
PANEL SYSTEM.....	Fig. 42
HARNESS SYSTEM (EXCEPT S TYPE).....	Fig. 43
HARNESS SYSTEM (S TYPE).....	Fig. 44
MARK (EXCEPT M TYPE).....	Fig. 45
MARK (M TYPE).....	Fig. 46
LABEL (GERMAN) (E20 TYPE).....	Fig. 47
LABEL (FRENCH) (E50 TYPE EXCEPT T).....	Fig. 48
LABEL (ENGLISH) (E40 TYPE).....	Fig. 49
LABEL (ENGLISH) (E42 TYPE).....	Fig. 50
LABEL (ITALIAN) (E50T TYPE).....	Fig. 51
TOOL.....	Fig. 52

OPTIONAL PARTS

REAR TIRE (FIELD) SYSTEM (OPTION).....	Fig. 53
----------------------------------------	---------

REAR PTO SYSTEM (OPTION).....	Fig. 54
REAR HITCH SYSTEM (OPTION).....	Fig. 55
HEAD LAMP AND HOUR METER SET (OPTION).....	Fig. 56
BUMPER WEIGHT SET (OPTION).....	Fig. 57

COMPONENT PARTS

COMPONENT PARTS

FOR K211-012-000-00 ON Fig 14,15.....	Fig. 58
---------------------------------------	---------

WIRING DIAGRAM/SG173

WIRING DIAGRAM/SG173/S

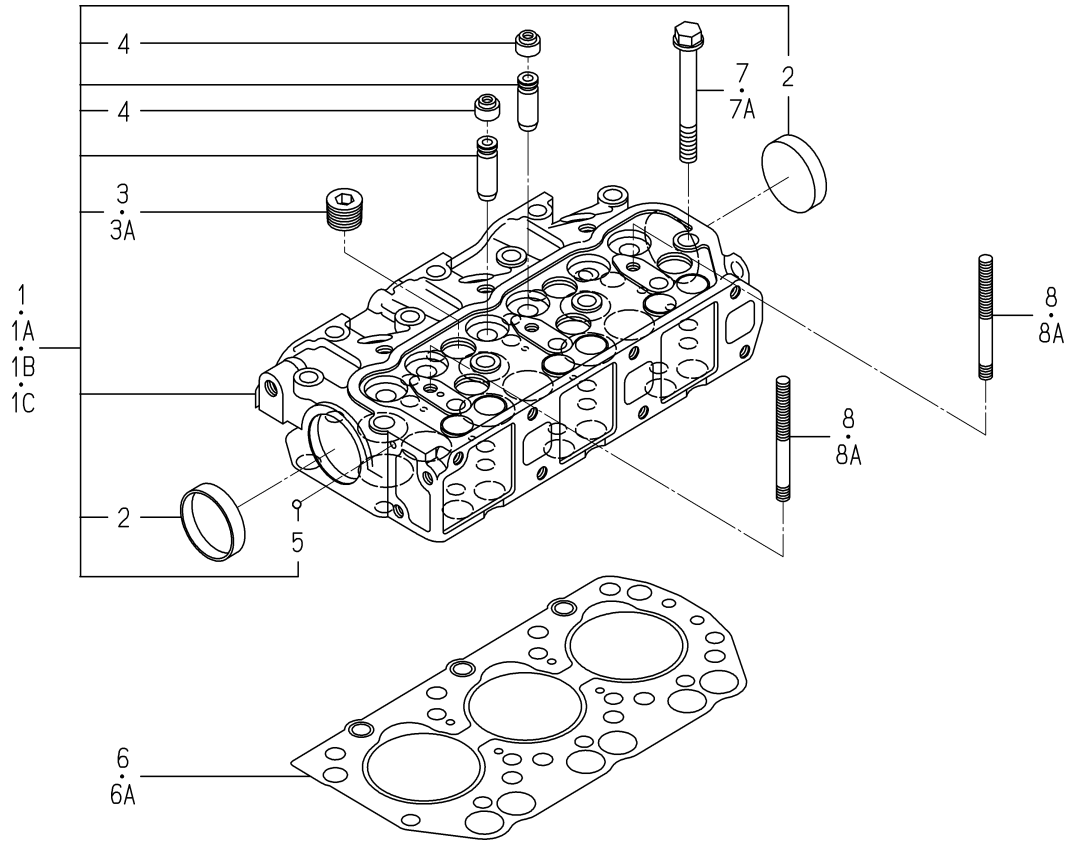
REAL WIRING DIAGRAM/SG173

REAL WIRING DIAGRAM/SG173/S

ENGINE

E374G...SG173(EXCEPT S-TYPE)

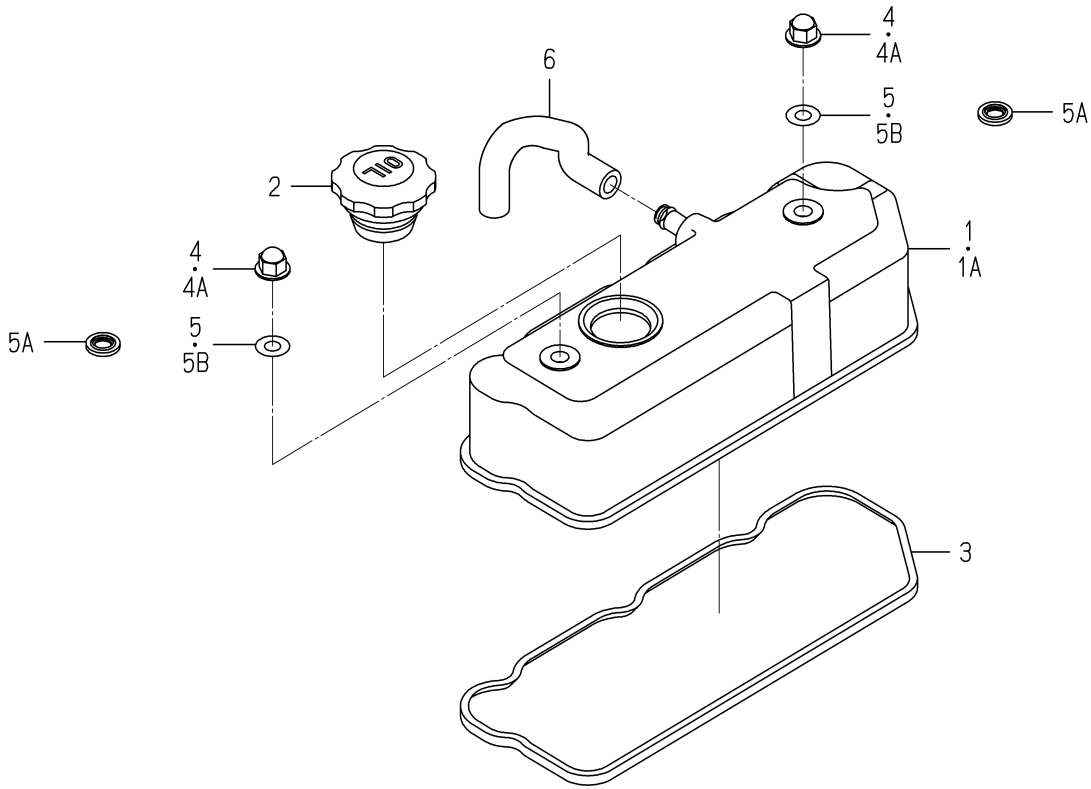
FIG. 1 CYLINDER HEAD



6003-101A-0100,6003-101A-0200

KEY	PART CODE	DESCRIPTION	S P C	TYPE OF MODEL		I T C	C O L	G R P	REMARKS
				E374G					
1	6211-110-011-40	CYLINDERHEAD ASSY	*	1					
1A	6211-110-063-10	CYLINDERHEAD ASSY	*	1					
1B	6211-110-063-20	CYLINDERHEAD ASSY	*	1		1			
1C	6211-110-063-30	CYLINDERHEAD ASSY	*	1		1			
2	6911-129-006-00	CAP,SEALING	*	2					
3	6209-605-004-00	PLUG/PT1/2	*	5					
3A	6209-605-004-10	PLUG/PT1/2	*	139377-5					
4	6212-569-002-00	SEAL,OIL	*	6					
5	V682-200-000-60	BALL	*	1					
6	6211-141-007-30	GASKET/CYLINDERHEAD	*	1					
6A	6211-141-007-40	GASKET/CYLINDERHEAD	*	186097-1		1			
7	6209-000-003-00	BOLT/M10X1.25X82	*	14					
7A	6209-000-044-00	BOLT	*	133377-14					
8	6909-830-212-00	STUD,HEAD COVER	*	2					
8A	6209-300-014-00	STUD	*	172219-2					

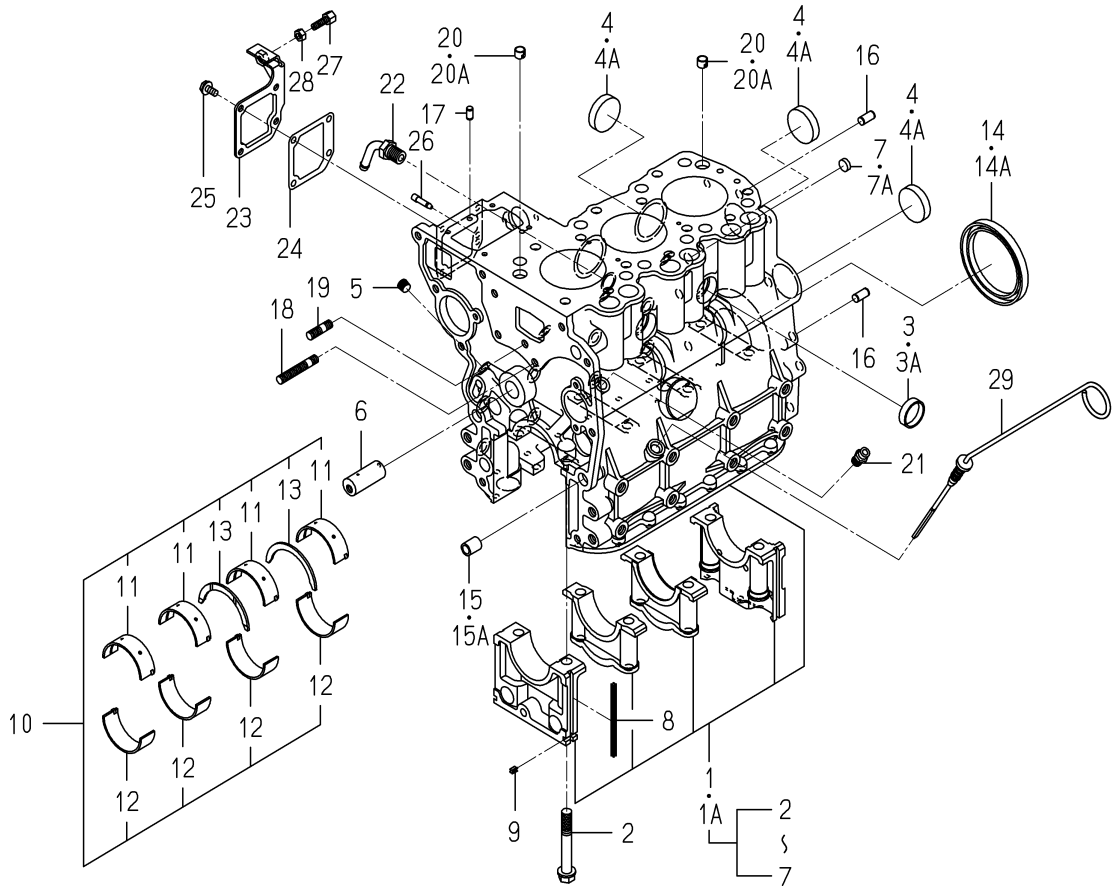
FIG. 2 CYLINDER HEAD COVER



6003-110 -0100

KEY	PART CODE	DESCRIPTION	S P C	TYPE OF MODEL		I T C	C O L	G R P	REMARKS
				E374G					
1	6211-170-004-10	COVER,CYLINDER HEAD	*	1					
1A	6211-170-004-20	COVER/CYLINDER HEAD	*	207189					
2	6211-751-001-10	CAP,OIL FILLER	*	1					
3	6211-173-003-00	SEAL,CYL.HEAD COVER	*	1					
4	6209-490-002-00	NUT,CAP	*	2					
4A	6209-490-002-10	NUT/CAP	*	213417		1			
5	6909-572-008-00	PACKING	*	2					
5A	6209-572-002-00	GASKET	*	204834					
5B	6209-572-003-00	GASKET	*	2					
6	6209-360-028-10	HOSE/RABBER	*	222070					
				222071-					
				1					

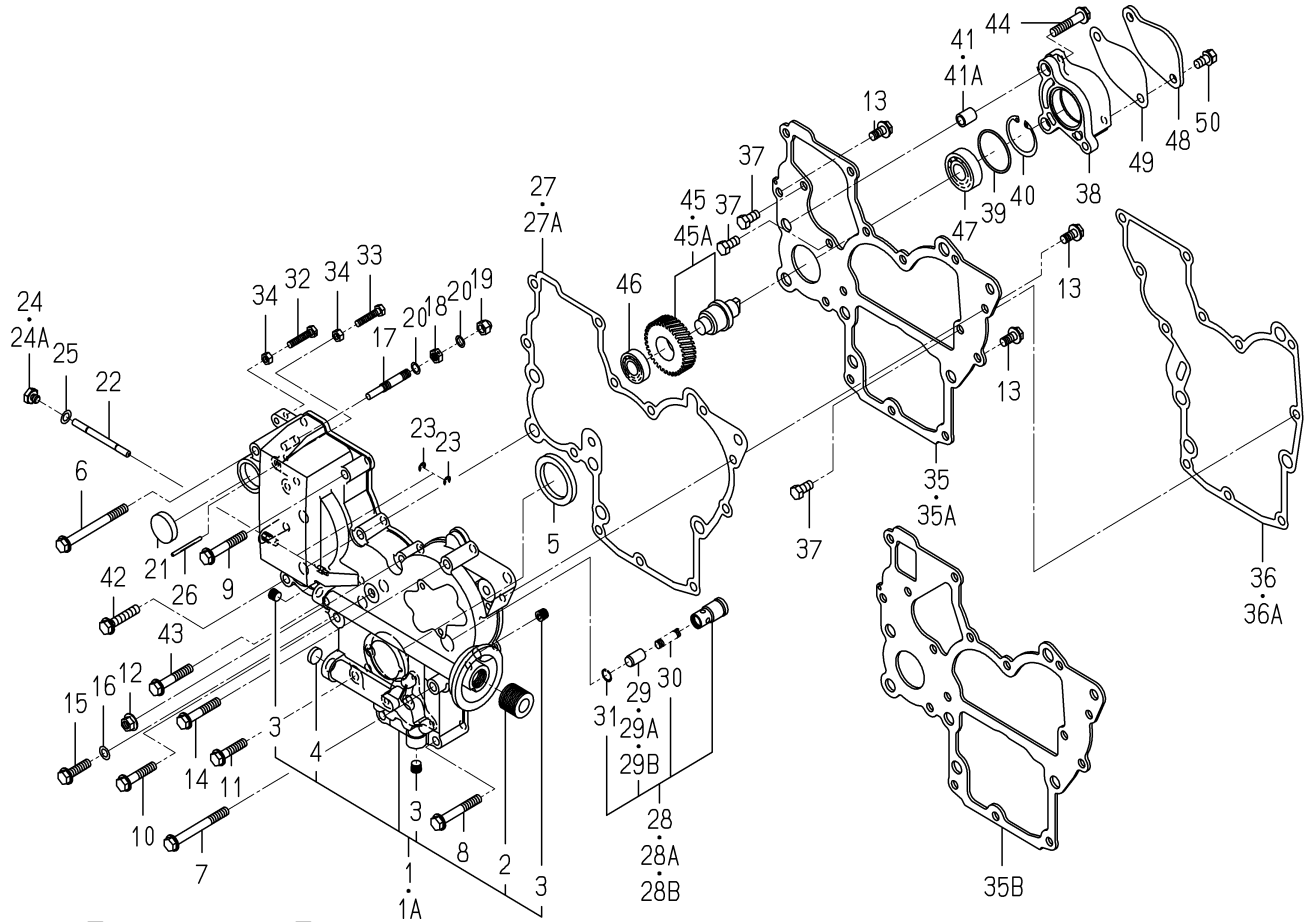
FIG. 5 CYLINDER BLOCK



6003-201P-0100

KEY	PART CODE	DESCRIPTION	S P C	TYPE OF MODEL		I T C	C O L	G R P	REMARKS
				E374G					
1	6211-210-014-20	CYLINDERBLOCK ASSY	*	1	-160680				
1A	6211-210-014-30	CYLINDERBLOCK ASSY	*	1	160681-	1			
2	6209-000-004-10	BOLT	*	8		1			
3	6209-610-001-00	CAP,SEALING	*	2	-202173				
3A	6209-610-001-10	CUP/SEALING/28	*	2	202174-	1			
4	6911-219-195-00	CAP,SEALING	*	4	-201994				
4A	6209-610-009-00	CUP/SEALING/36	*	4	201995-				
5	6509-605-019-10	PLUG	*	3					
6	6212-531-005-10	PIN/IDLEGEAR	*	1					
7	6911-129-083-00	CAP,SEALING	*	1	-202033				
7A	6209-610-008-00	CUP/SEALING/12	*	1	202034-				
8	6211-258-001-00	SEAL, BEARING CAP	*	4					
9	6211-258-002-00	SEAL, BEARING CAP/7	*	2					
10	6211-510-001-00	METAL, CRANK SET	*	1					
11	6211-511-003-00	BEARING/CRANK/UPPER	*	4					
12	6211-511-004-00	BEARING/CRANK/LOWER	*	4					
13	6211-599-001-10	BEARING, THRUST CRANK	*	2					
14	6209-625-001-00	SEAL, OIL	*	1	-187229				
14A	6209-625-012-00	OILSEAL	*	1	187230-				
15	6209-749-001-10	PIN, TUBE	*	2	-140551				
15A	6209-749-001-20	PIN/TUBE	*	2	140552-	1			
16	6213-129-006-00	PIN/STRAIGHT	*	2					
17	6213-129-005-00	PIN/STRAIGHT	*	2					
18	6904-110-840-00	STUD/M8X40	*	1					
19	6904-110-818-00	STUD	*	1					
20	6894-453-344-00	DOWEL	*	2	-126110				
20A	6294-453-002-00	DOWEL	*	2	126111-				
21	6909-902-299-00	NIPPLE	*	1					
22	6213-721-001-00	PIPE, WATER DRAIN	*	1					
23	6211-291-001-10	COVER, INJ PUMP	*	1					

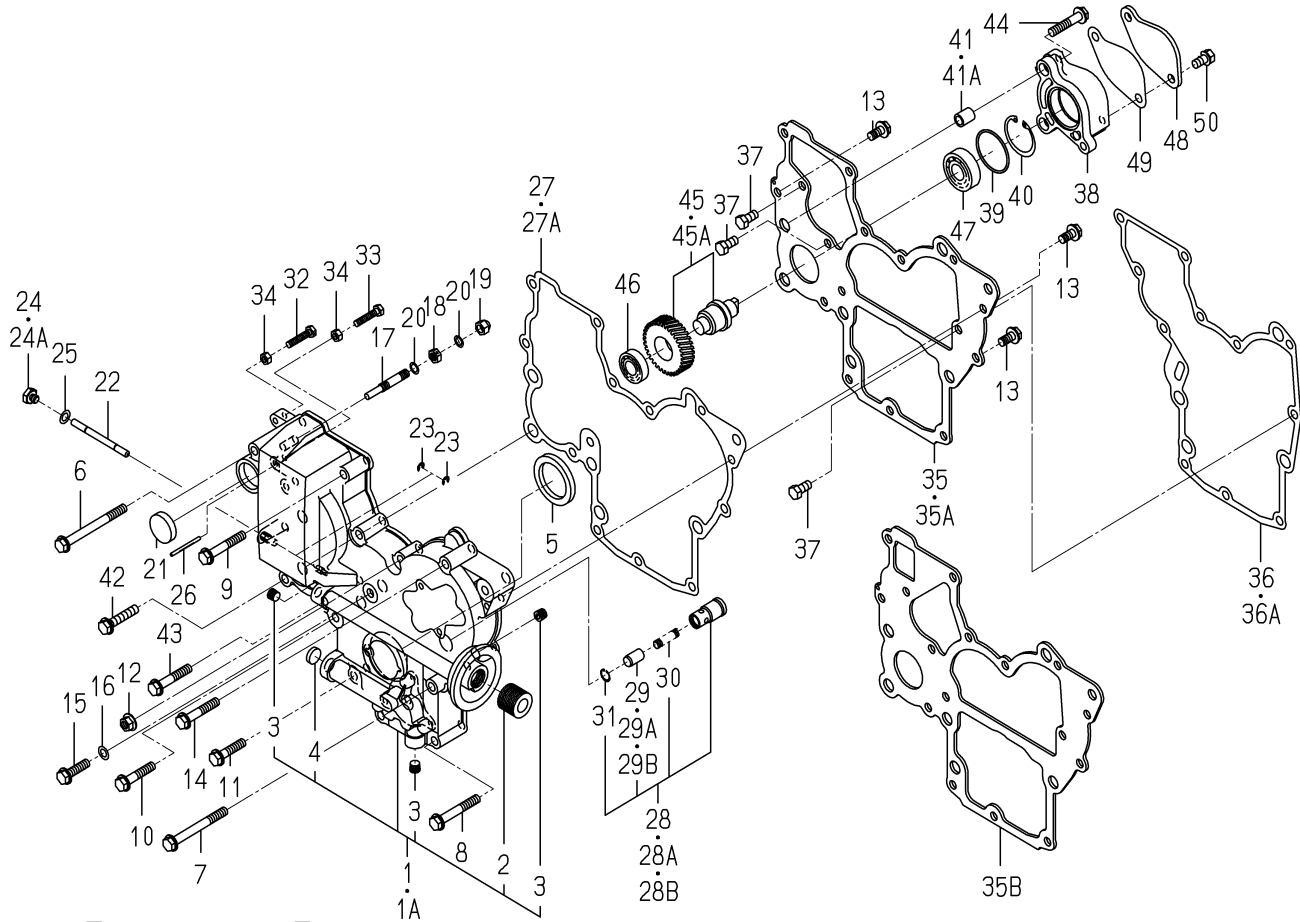
FIG. 10 TIMING GEAR CASE



6003-240E-0100,6003-240E-0200

KEY	PART CODE	DESCRIPTION	S P C	TYPE OF MODEL		I T C	C O L	G R P	REMARKS
				E374G					
1	6211-310-006-20	GEARCASE ASSY	*	1	-150775				
1A	6211-310-006-30	GEARCASE ASSY	*	1	150776-	1			
2	6213-319-001-00	CONNECTOR,OIL FILTER	*	1					
3	6509-605-019-10	PLUG	*	3					
4	6209-610-002-10	CUP/SEALING/16	*	1					
5	6209-625-002-00	SEAL,OIL	*	1					
6	V231-360-808-50	FLANGE BOLT	*	1					
7	V231-360-807-50	FLANGE BOLT	*	1					
8	V231-360-805-50	FLANGE BOLT	*	2					
9	V231-360-805-00	FLANGE BOLT	*	2					
10	V231-360-804-00	FLANGE BOLT	*	1					
11	V231-360-803-50	FLANGE BOLT	*	1					
12	3817-401-001-00	NUT/M08	*	1					
13	V231-360-801-60	FLANGE BOLT	*	3					
14	V231-360-804-50	FLANGE BOLT	*	1					
15	V231-360-803-00	FLANGE BOLT	*	1					
16	6209-500-003-00	WASHER/08X14X01	*	1					
17	6215-546-001-00	STOPPER,FULL-LOAD	*	1					
18	6209-409-001-00	NUT/M8	*	1					
19	V341-120-008-00	NUT,CAP/M 8	*	1					
20	6209-920-002-00	PACKING	*	2					
21	3625-540-004-00	CAP,BLANK/30	*	1					
22	6215-542-001-10	PIN/ARM	*	1					
23	V710-140-004-00	RING,SNAP/ 4 E	*	2					
24	6909-202-308-00	PLUG	*	1	-204998				
24A	6209-600-004-00	PLUG/SCREW	*	1	204999-				
25	6209-500-003-00	WASHER/08X14X01	*	1					
26	6209-740-001-00	PIN,GROOVE	*	1					
27	6211-312-001-20	GASKET/GEARCASE	*	1	-148221				
27A	6211-312-001-30	GASKET/GEARCASE	*	1	148222-	1			

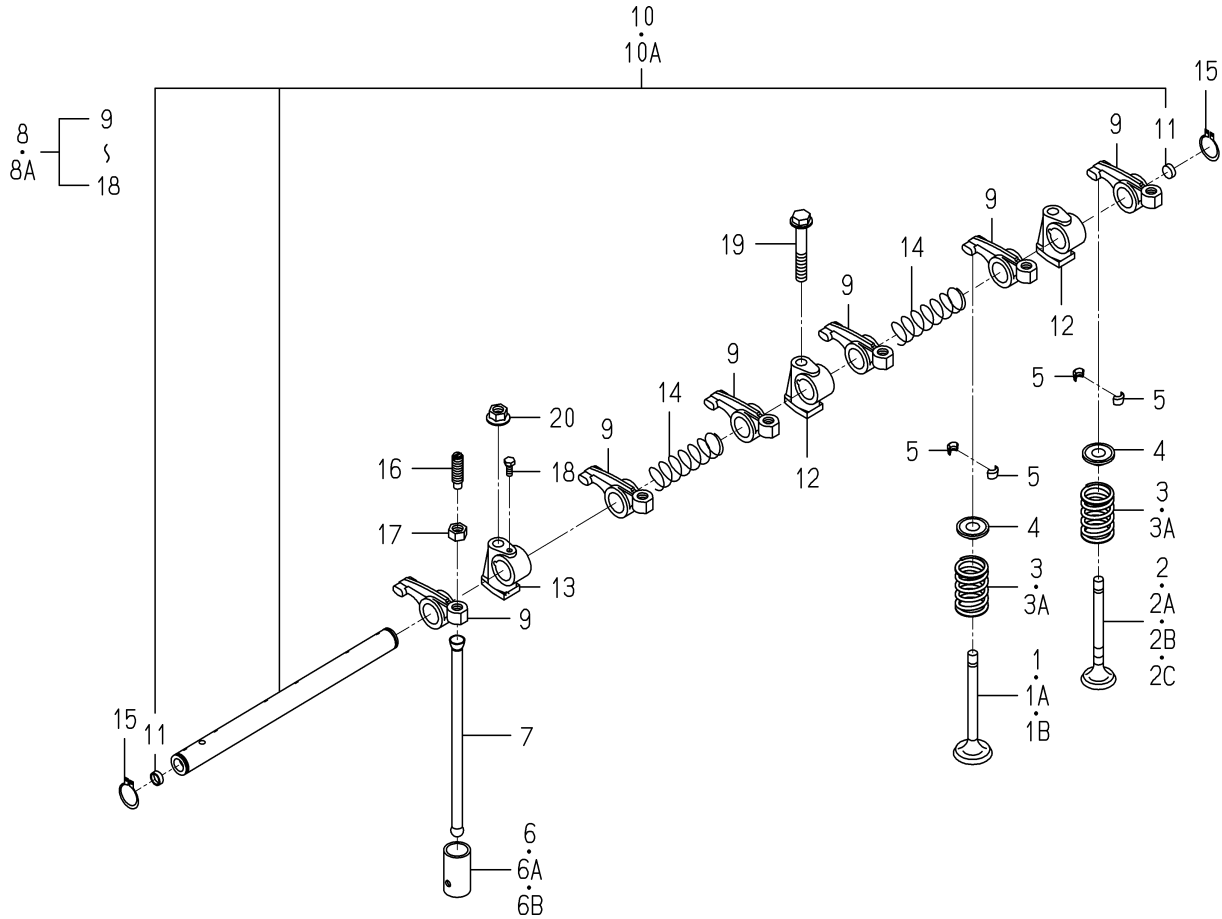
FIG. 10 TIMING GEAR CASE



6003-240E-0100,6003-240E-0200

KEY	PART CODE	DESCRIPTION	S P C	TYPE OF MODEL		I T C	C O L	G R P	REMARKS
				E374G					
28	6213-160-002-00	VALVE/RELIEF ASSY	*	1	-160774				
28A	6213-160-002-10	VALVE/RELIEF ASSY	*	1	-162896	1			
28B	6213-160-002-20	VALVE/RELIEF ASSY	*	1	162897-	1			
29	6213-161-001-00	PISTON/RELIEF VALVE	*	1	-160774				
29A	6213-161-001-10	PISTON/VALVE/RELIEF	*	1	-162896	1			
29B	6213-161-001-20	PISTON/VALVE/RELIEF	*	1	162897-	1			
30	6213-164-001-00	SPRING/RELIEF VALVE	*	1					
31	V705-140-012-00	RING,SNAP/12 C	*	1					
32	6209-050-001-00	BOLT/M6	*	1					
33	6209-050-002-00	BOLT/M6	*	1					
34	6909-110-406-00	NUT	*	2					
35	6211-311-004-20	PLATE,FRONT	*	1	-196813				
35A	6211-311-004-30	PLATE/FRONT	*	1	-210421	1			
35B	6211-311-004-40	PLATE/FRONT	*	1	210422-	1			
36	6211-312-002-20	GASKET/PLATE	*	1	-148221				
36A	6211-312-002-30	GASKET/PLATE	*	1	148222-	1			
37	6902-050-816-00	BOLT	*	3					
38	6211-319-002-00	SPACER,HYD,REAR	*	1					
39	V723-102-004-20	O-RING	*	1					
40	V705-140-040-00	RING,SNAP/40 C	*	1					
41	6209-749-001-10	PIN,TUBE	*	2	-140551				
41A	6209-749-001-20	PIN/TUBE	*	2	140552-	1			
42	V231-360-805-00	FLANGEBOLT	*	1					
43	V231-360-804-50	FLANGEBOLT	*	1					
44	V231-360-804-00	FLANGEBOLT	*	1					
45	6212-530-004-00	SHAFT,HYD. ASSY	*	1	-208003				
45A	6212-530-004-10	SHAFT/HYDRAULIC ASSY	*	1	208004-	1			
46	V600-110-600-20	BEARING,RB/6002	*	1					
47	V600-110-620-30	BEARING,RB/6203	*	1					
48	6211-321-001-10	COVER	*	1					

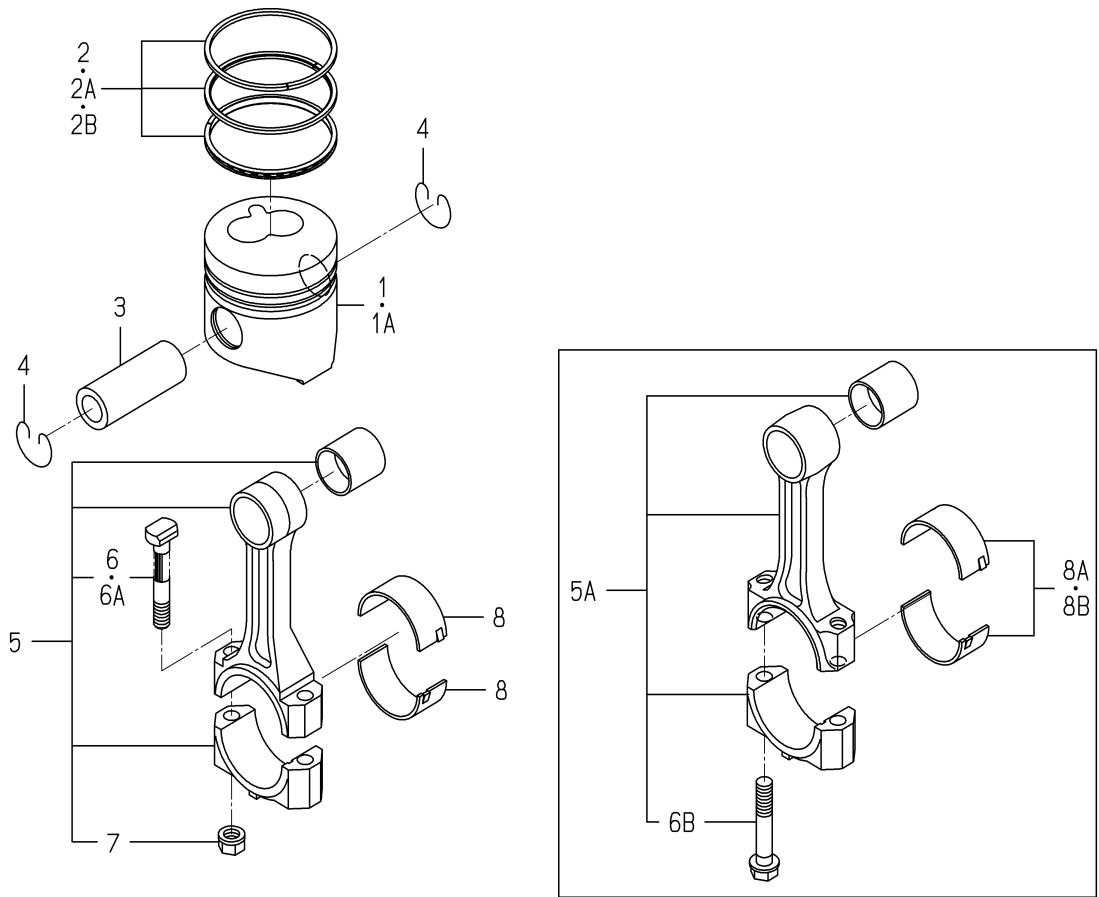
FIG. 12 VALVE



6003-301 -0100

KEY	PART CODE	DESCRIPTION	S P C	TYPE OF MODEL		I T C	C O L	G R P	REMARKS
				E374G					
1	6212-551-001-00	VALVE,INTAKE	*	3	-215014				
1A	6212-551-001-10	VALVE/INTAKE	*	3	-240842	1			
1B	6212-551-028-00	VALVE/INTAKE	*	3	240843-				
2	6212-552-001-00	VALVE,EXHAUST	*	3	-162896				
2A	6212-552-001-10	VALVE/EXHAUST	*	3	-215014	1			
2B	6212-552-001-20	VALVE/EXHAUST	*	3	-240842	1			
2C	6212-552-014-00	VALVE/EXHAUST	*	3	240843-				
3	6212-561-001-00	SPRING/VALVE	*	6	-212419				
3A	6212-561-001-10	SPRING/VALVE	*	6	212420-	1			
4	6212-563-001-00	SEAT,VALVE SPRING	*	6					
5	6212-565-001-00	CUTTER,VALVE	*	12					
6	6212-571-001-10	TAPPET	*	6	-141050				
6A	6212-571-003-00	TAPPET	*	6	-212429				
6B	6212-571-006-00	TAPPET	*	6	212430-				
7	6212-575-001-00	ROD,PUSH	*	6					
8	6212-600-002-00	SHAFT,ROCKER ASSY	*	1	-186860				
8A	6212-600-002-10	ROCKERSHAFT ASSY	*	1	186861-	1			
9	6212-611-004-10	ROCKERARM	*	6					
10	6212-620-001-10	SHAFT,ROCKER ARM ASSY	*	1	-186860				
10A	6212-620-001-20	SHAFT/ROCKERARM ASSY	*	1	186861-	1			
11	6212-626-002-10	PLUG	*	2					
12	6212-628-004-00	BRACKET ROCKER SHAFT	*	2					
13	6212-628-005-00	BRACKET,ROCKER SHAFT	*	1					
14	6209-940-004-00	SPRING	*	2					
15	V704-140-016-00	RING,SNAP/16 C	*	2					
16	6212-616-002-00	SCREW ADJUST	*	6					
17	6209-409-003-00	NUT	*	6					
18	6209-000-002-00	BOLT	*	1					
19	V231-360-805-00	FLANGE BOLT	*	1					
20	3817-401-001-00	NUT/M08	*	2					

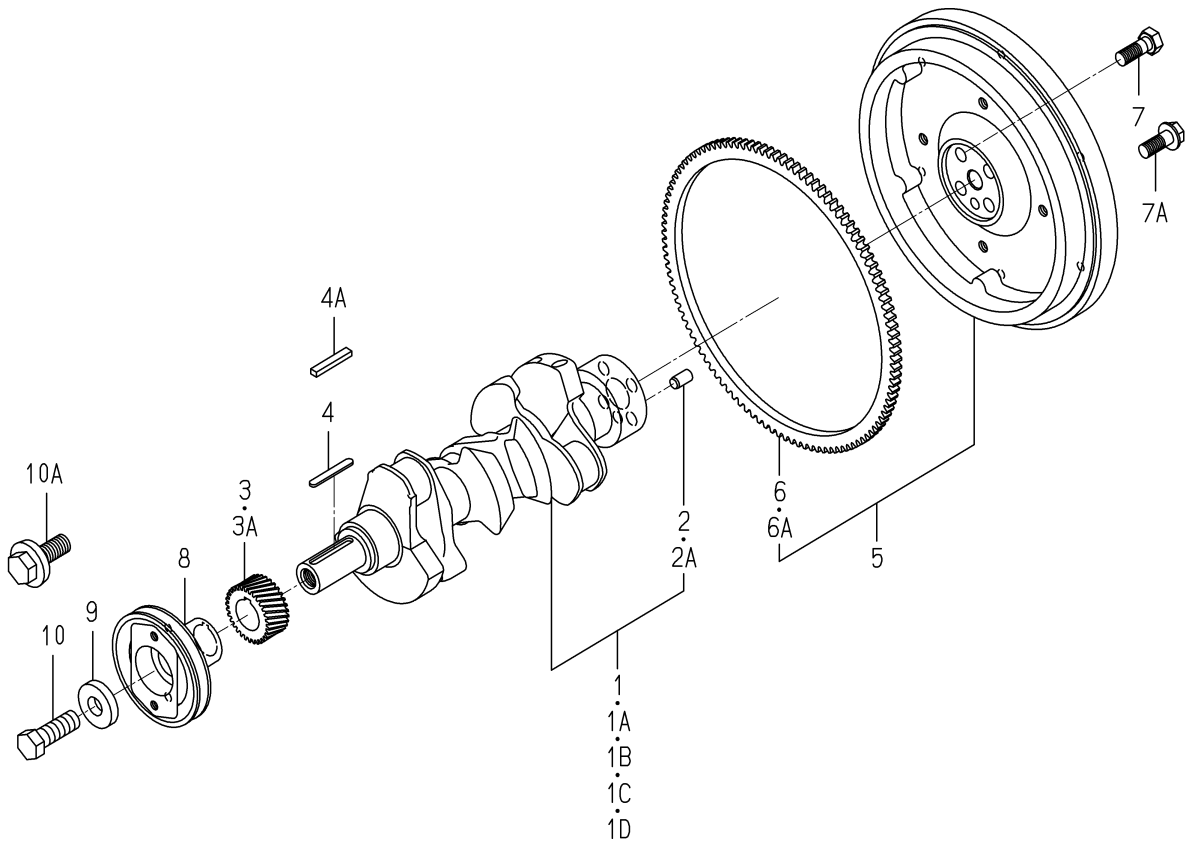
FIG. 14 PISTON



6003-340A-0100

KEY	PART CODE	DESCRIPTION	S P C	TYPE OF MODEL		I T C	C O L	G R P	REMARKS
				E374G					
1	6212-111-010-10	PISTON	*	3					
1A	6212-111-010-20	PISTON	*	-249487 3		1			
2	6212-121-005-00	RING/PISTON SET	*	249488- 3					
2A	6212-121-005-10	RING/PISTON SET	*	-181223 3		1			
2B	6212-121-005-20	RING/PISTON SET	*	-190317 3		1			
3	6212-211-001-10	PIN,PISTON	*	190318- 3					
4	6209-587-001-00	RING,SNAP	*	3 6					
5	6212-230-003-00	ROD,CONNECTING	*	-219825 3					
5A	6212-230-003-10	CONNECTINGROD ASSY	*	219826- 3		3			
6	6212-235-001-00	BOLT,CONN ROD	*	6 -142430					
6A	6212-235-001-10	BOLT/CONNECTINGROD	*	6 -219825		1			
6B	6212-235-005-00	BOLT/CONNECTINGROD	*	219826- 6					
7	6209-440-003-00	NUT/FLANGE	*	6 -219825					
8	6212-261-006-00	BEARING/CONN ROD	*	6 -212553					
8A	6212-271-006-00	BEARING/CONNECTING R	*	3 -259197					
8B	6212-271-016-00	BEARING/CONNECTING R	*	3 259198-					

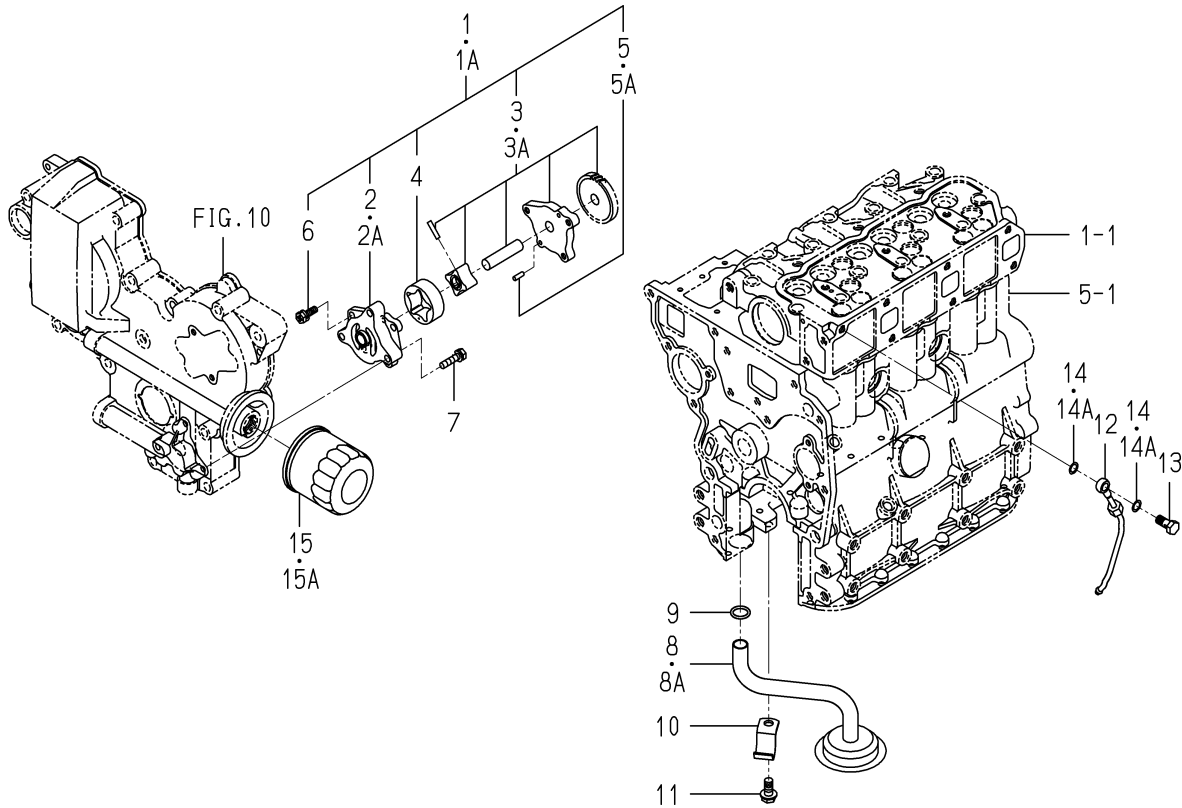
FIG. 16 CRANK SHAFT



6003-350H-0100

KEY	PART CODE	DESCRIPTION	S P C	TYPE OF MODEL		I T C	C O L	G R P	REMARKS
				E374G					
1	6212-310-008-00	SHAFT,CRANK ASSY	*	1	-113098				
1A	6212-310-008-10	CRANKSHAFT ASSY	*	1	-177251	1			
1B	6212-310-008-20	CRANKSHAFT ASSY	*	1	-187441	1			
1C	6212-310-008-30	CRANKSHAFT ASSY	*	1	-243180	1			
1D	6212-310-008-50	CRANKSHAFT ASSY	*	1	243181-	1			
2	6908-161-018-00	PIN	*	1	-125071				
2A	V523-101-001-80	PIN	*	1	125072-				
3	6212-521-002-00	GEAR,CRANK SHAFT	*	1	-206907				
3A	6212-521-008-00	GEAR/CRANK	*	1	206908-				
4	6908-000-750-00	KEY	*	1	-205638				
4A	6209-730-006-00	KEY/07X05X43	*	1	205639-				
5	6212-330-013-30	FLYWHEEL	*	1					
6	6212-333-001-00	GEAR,RING	*	1	-134270				
6A	6212-333-003-00	RINGGEAR	*	1	134271-				
7	6209-000-013-00	BOLT	*	4	-194128				
7A	6209-046-015-00	BOLT/FLANGE	*	4	194129-				
8	6212-371-014-20	PULLEY	*	1					
9	6212-379-001-00	WASHER	*	1	-261516				
10	6901-066-645-00	BOLT	*	1	-261516				
10A	6209-000-043-00	BOLT/CRANK	*	1	261517-				

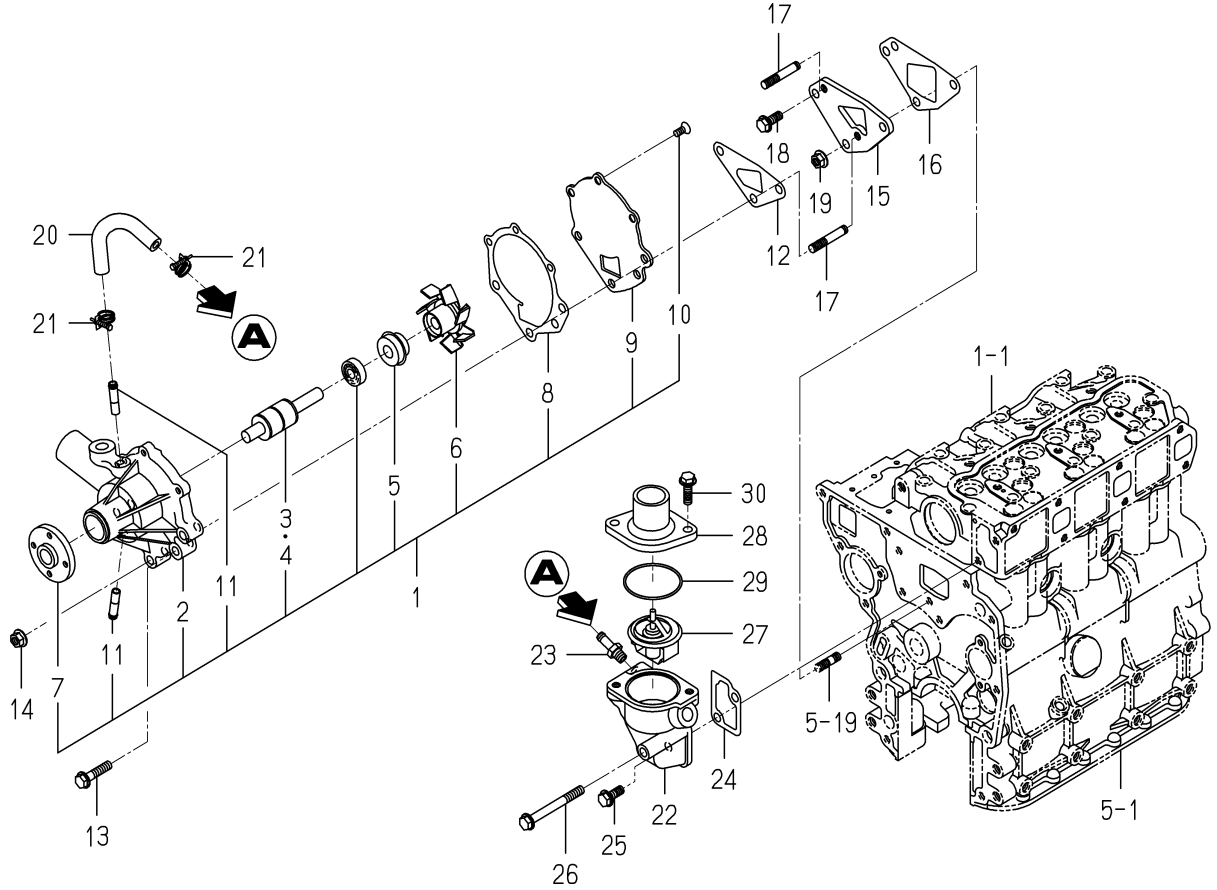
FIG. 17 OIL PUMP



6003-401 -0100

KEY	PART CODE	DESCRIPTION	S P C	TYPE OF MODEL		I T C	C O L	G R P	REMARKS
				E374G					
1	6213-100-003-20	PUMP,OIL ASSY	*	1	-146749				
1A	6213-100-003-30	OILPUMP ASSY	*	1	146750	1			
2	6213-111-001-20	BODY/OILPUMP	*	1	-189679				
2A	6213-111-001-30	BODY/OILPUMP	*	1	189680	3			
3	6213-120-003-00	GEAR/OILPUMP ASSY	*	1	-146755				
3A	6213-120-003-20	GEAR/OILPUMP ASSY	*	1	146756	1			
4	6213-125-001-00	ROTOR/OUTER	*	1					
5	6908-160-408-00	PIN/STRAIGHT	*	2	-189679				
5A	6213-129-003-00	PIN/STRAIGHT	*	2	189680				
6	6213-119-001-00	BOLT/WS	*	3					
7	6901-910-625-00	BOLT	*	3					
8	6213-140-002-00	STRAINER	*	1	-194271				
8A	6213-140-002-10	STRAINER COMP	*	1	194272	1			
9	V720-102-401-50	O-RING/P15	*	1					
10	6213-149-001-00	CLAMP,STRAINER	*	1					
11	V231-360-801-60	FLANGEBOLT	*	1					
12	6213-311-003-10	PIPE,OIL	*	1					
13	6909-906-105-10	BOLT,JOINT	*	1					
14	6909-920-843-00	PACKING	*	2	-135532				
14A	6209-920-002-00	PACKING	*	2	135533				
15	6213-240-002-00	CARTRIDGE,OIL FILTER	*	1	-159738				
15A	6213-240-002-10	CARTRIDGE/OILFILTER	*	1	159739	1			

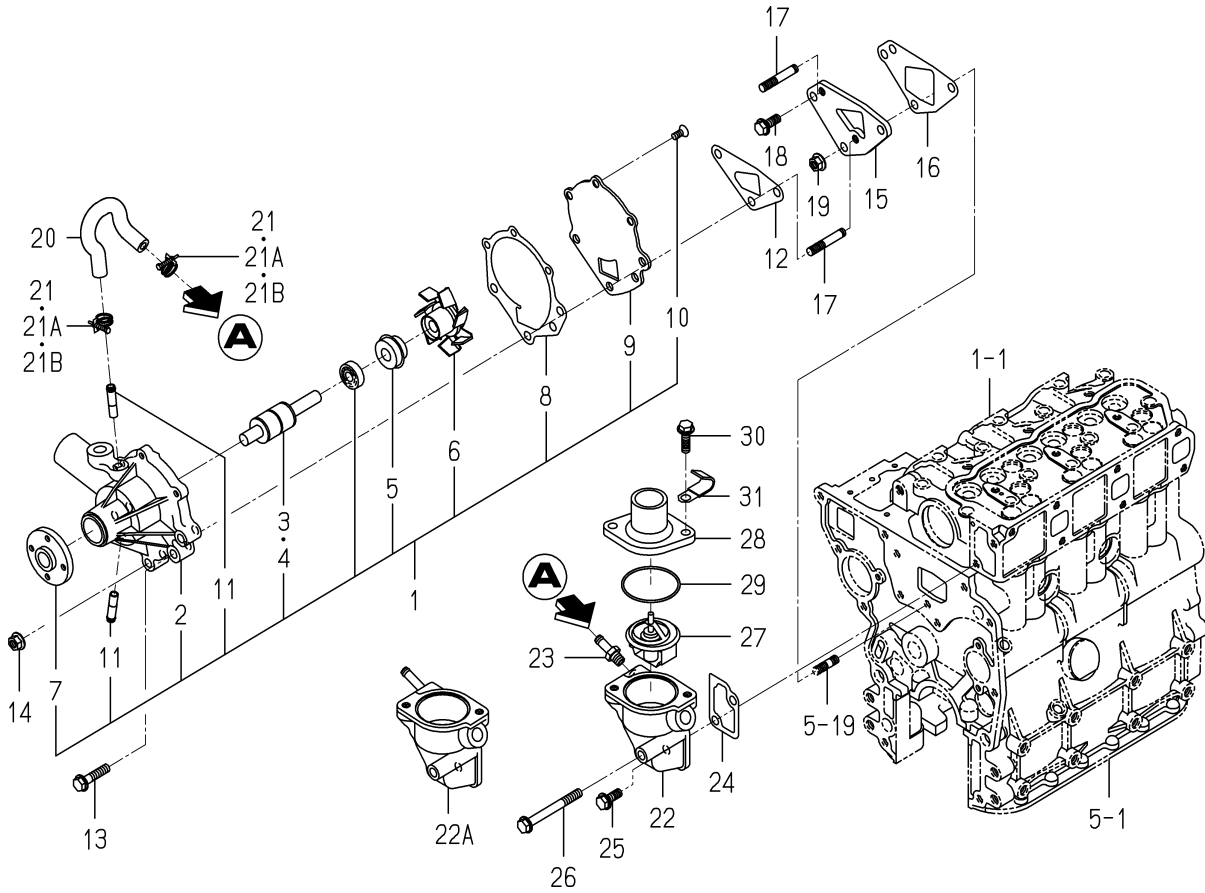
FIG. 18 WATER PUMP



6003-420B-0100

KEY	PART CODE	DESCRIPTION	S P C	TYPE OF MODEL		I T C	C O L	G R P	REMARKS
				E374G					
1	6213-610-005-30	WATERPUMP ASSY	*	1	-116762				
2	6213-611-003-20	BODY/WATERPUMP	*	1	-116762				
3	6213-631-002-00	BEARING/WATER PUMP	*	1	-116762				
4	6213-631-005-00	BEARING/WATERPUMP	*	1	-116762				
5	6213-622-002-10	SEAL SET/WATER PUMP	*	1	-116762				
6	6213-621-003-00	ROTOR/WATERPUMP	*	1	-116762				
7	6213-642-002-00	SEAL/WATER PUMPPULLE	*	1	-116762				
8	6213-613-002-10	GASKET	*	1	-116762				
9	6213-612-004-00	PLATE/WATER PUMP	*	1	-116762				
10	6213-619-003-00	SCREW/WATER PUMP	*	3	-116762				
11	6213-619-002-00	PIPE/WATER PUMP	*	2	-116762				
12	6213-614-003-10	GASKET/WATER PUMP	*	1	-116762				
13	V231-360-804-50	FLANGE BOLT	*	1	-116762				
14	3817-401-001-00	NUT/M08	*	2	-116762				
15	6213-619-005-00	SPACER, WATER PUMP	*	1	-116762				
16	6213-614-006-10	GASKET/SPACER	*	1	-116762				
17	6209-300-002-00	STUD	*	2	-116762				
18	V231-360-802-00	FLANGE BOLT	*	1	-116762				
19	3817-401-001-00	NUT/M08	*	1	-116762				
20	6213-729-001-00	HOSE, RUBBER	*	1	-116762				
21	J061-210-015-00	CLAMP/WIRE/10-15	*	2	-116762				
22	6213-716-001-40	HOUSING/THERMOSTAT	*	1	-116762				
23	6213-721-003-00	PIPE, PUMP HOUSING	*	1	-116762				
24	6213-743-002-10	GASKET/HOUSING	*	1	-116762				
25	V231-360-802-00	FLANGE BOLT	*	1	-116762				
26	V231-360-807-50	FLANGE BOLT	*	1	-116762				
27	6513-770-022-10	THERMOSTAT	*	1	-116762				
28	6213-711-003-20	PIPE, WATER OUTLET	*	1	-116762				
29	V723-102-005-50	O-RING	*	1	-116762				
30	V231-360-802-50	FLANGE BOLT	*	2	-116762				

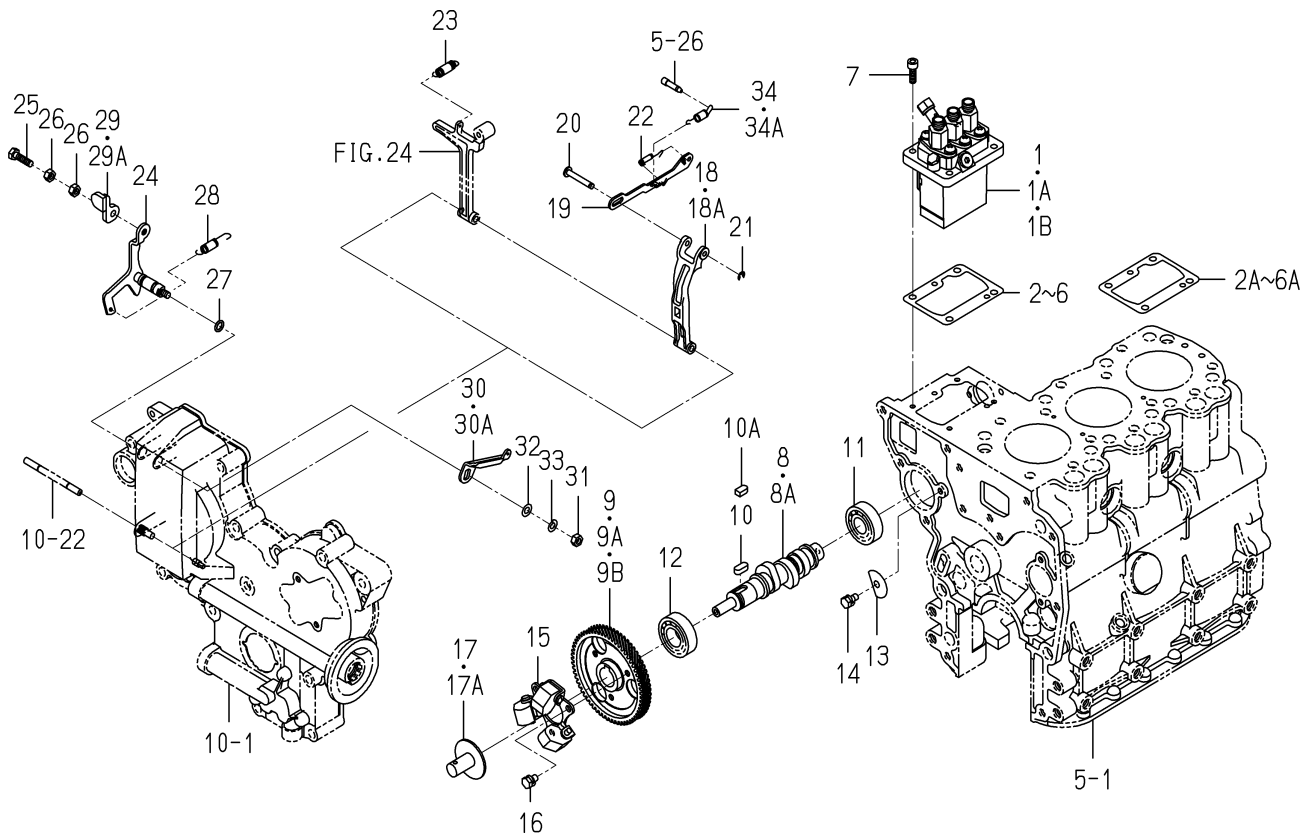
FIG. 19 WATER PUMP



6003-420G-0100

KEY	PART CODE	DESCRIPTION	S P C	TYPE OF MODEL		I T C	C O L	G R P	REMARKS
				E374G					
1	6213-610-005-40	WATERPUMP ASSY	*	1	116763-				
2	6213-611-003-20	BODY/WATERPUMP	*	1	116763-				
3	6213-631-002-00	BEARING/WATER PUMP	*	1	116763-				
4	6213-631-005-00	BEARING/WATERPUMP	*	1	116763-				
5	6213-622-002-10	SEAL SET/WATER PUMP	*	1	116763-				
6	6213-621-003-00	ROTOR/WATERPUMP	*	1	116763-				
7	6213-642-002-00	SEAL/WATER PUMPPULLE	*	1	116763-				
8	6213-613-002-10	GASKET	*	1	116763-				
9	6213-612-004-00	PLATE/WATER PUMP	*	1	116763-				
10	6213-619-003-00	SCREW/WATER PUMP	*	3	116763-				
11	6213-619-002-00	PIPE/WATER PUMP	*	2	116763-				
12	6213-614-003-10	GASKET/WATER PUMP	*	1	116763-				
13	V231-360-804-50	FLANGE BOLT	*	1	116763-				
14	3817-401-001-00	NUT/M08	*	2	116763-				
15	6213-619-005-00	SPACER, WATER PUMP	*	1	116763-				
16	6213-614-006-10	GASKET/SPACER	*	1	116763-				
17	6209-300-002-00	STUD	*	2	116763-				
18	V231-360-802-00	FLANGE BOLT	*	1	116763-				
19	3817-401-001-00	NUT/M08	*	1	116763-				
20	6213-729-013-10	HOSE/RUBBER	*	1	116763-				
21	J061-210-015-00	CLAMP/WIRE/10-15	*	2	-198868				
21A	J062-138-148-00	CLIP/HOSE/13.8-14.8	*	2	-198888				
21B	J061-210-015-00	CLAMP/WIRE/10-15	*	2	198889				
22	6213-716-001-40	HOUSING/THERMOSTAT	*	1	-207142				
22A	6213-716-001-50	HOUSING/THERMOSTAT	*	1	207143		1		
23	6213-721-003-00	PIPE, PUMP HOUSING	*	1	-208007				
24	6213-743-002-10	GASKET/HOUSING	*	1	186554				
25	V231-360-802-00	FLANGE BOLT	*	1	116763-				
26	V231-360-807-50	FLANGE BOLT	*	1	116763-				
27	6513-770-022-10	THERMOSTAT	*	1	116763-				

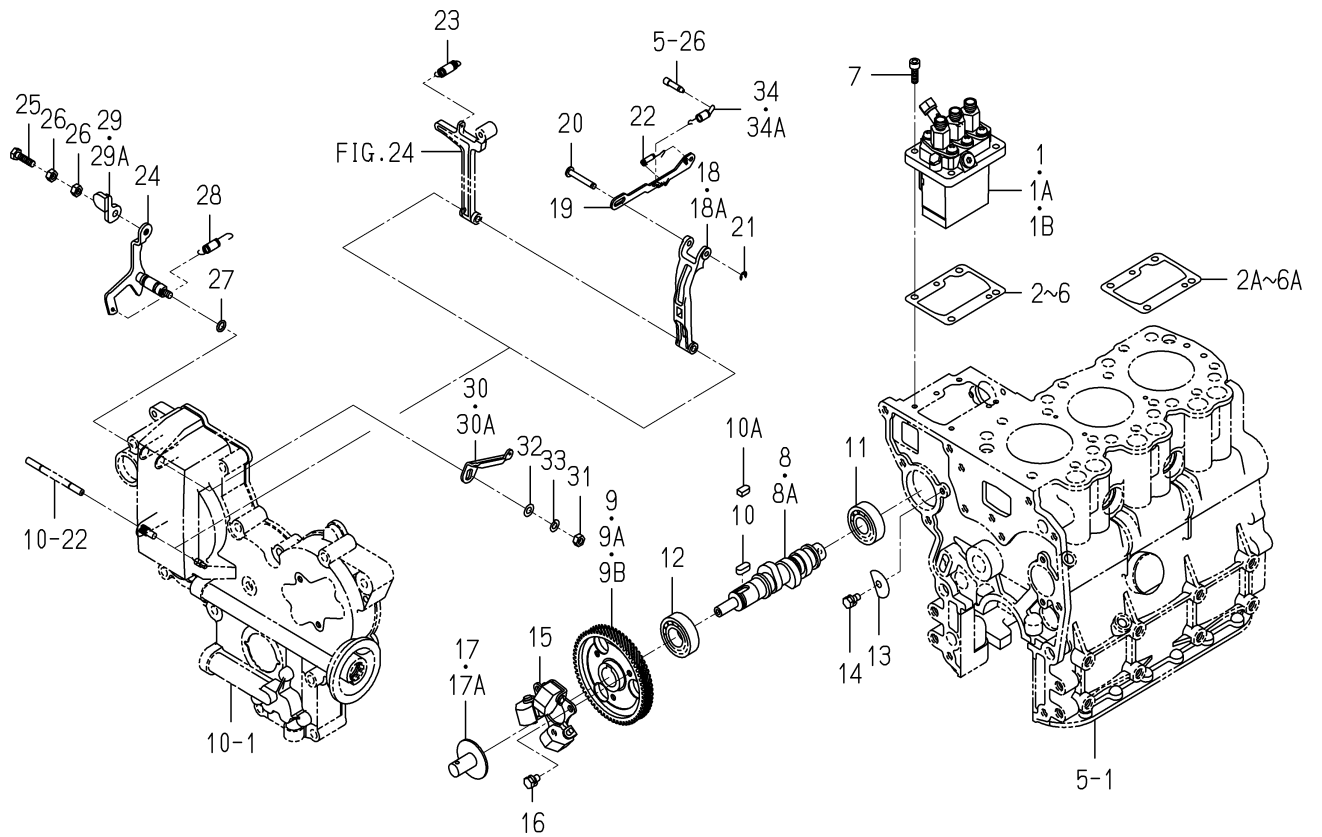
FIG. 22 INJECTION PUMP



6003-510H-0100

KEY	PART CODE	DESCRIPTION	S P C	TYPE OF MODEL		I T C	C O L	G R P	REMARKS
				E374G					
1	6215-600-088-00	PUMP,INJECTION ASSY	*	1					FIG 032
1A	6215-600-088-10	INJECTIONPUMP ASSY	*	1		1			FIG 032
1B	6215-600-088-20	INJECTIONPUMP ASSY	*	1		1			FIG 032
2	6219-752-001-00	SHIM/INJECTION P/0.3	*	1					
2A	6219-752-041-00	SHIM/INJECTIONPUMP	*	1					
3	6219-752-002-00	SHIM/INJECTION P/0.1	*	1					
4	6219-752-003-00	SHIM/INJECTION P/0.2	*	1					
4A	6219-752-040-00	SHIM/INJECTIONPUMP	*	1					
5	6219-752-004-00	SHIM/INJECTION P/0.4	*	1					
5A	6219-752-042-00	SHIM/INJECTIONPUMP	*	1					
6	6219-752-005-00	SHIM/INJECTION P/0.5	*	1					
6A	6219-752-043-00	SHIM/INJECTIONPUMP	*	1					
7	6209-056-001-00	BOLT/M6X18	*	4					
8	6215-621-006-10	SHAFT,CAM/INJ.PUMP	*	1					
8A	6215-621-006-20	CAMSHAFT/INJPUMP	*	1		1			
9	6212-524-002-00	GEAR,INJ PUMP	*	1					
9A	6212-524-002-10	GEAR/INJECTIONPUMP	*	1		1			
9B	6212-524-002-20	GEAR/INJECTIONPUMP	*	1		1			
10	6908-000-716-00	KEY	*	1					
10A	6209-730-005-00	KEY/07X05X09	*	1					
11	V600-110-620-30	BEARING,RB/6203	*	1					
12	V600-110-600-40	BEARING,RB/6004	*	1					
13	6212-535-002-00	PLATE,THRUST INJPUMP	*	1					
14	6901-910-612-00	BOLT,SEMS/M6X12	*	1					
15	6215-520-001-00	FLYWEIGHT	*	1					
16	6209-030-043-00	BOLT/M6X10	*	3					
17	6215-526-001-10	PIECE,THRUST	*	1					
17A	6215-526-004-00	THRUSTPIECE	*	1					
18	6215-541-001-00	ARM,FLOATING	*	1					
18A	6215-541-001-10	ARM/FLOATING COMP	*	1		1			

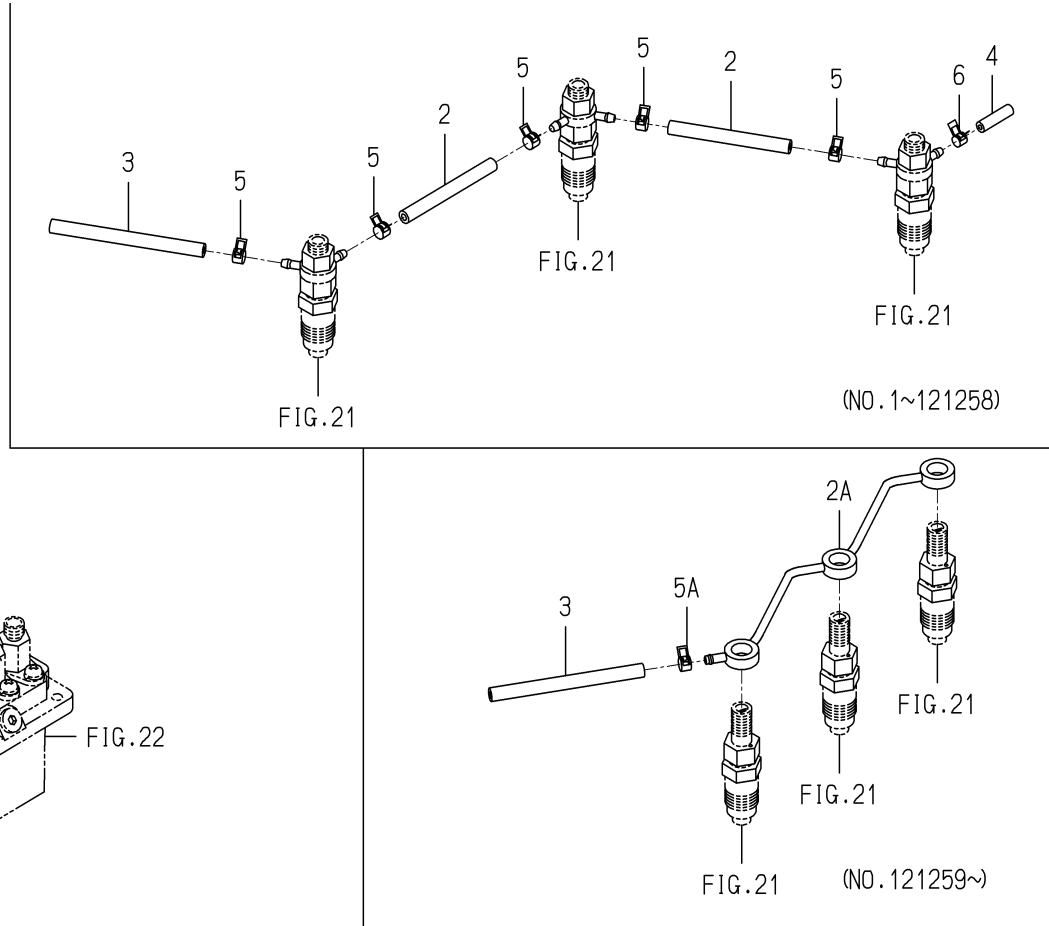
FIG. 22 INJECTION PUMP



6003-510H-0100

KEY	PART CODE	DESCRIPTION	S P C	TYPE OF MODEL		I T C	C O L	G R P	REMARKS
				E374G					
19	6215-543-001-10	LINK,CONTROL	*	1					
20	6215-542-002-00	PIN,CONTROL LINK	*	1					
21	V710-140-004-00	RING,SNAP/ 4 E	*	1					
22	6215-549-003-00	SPRING,SETTING	*	1					
23	6215-531-005-00	SPRING,GOVERNOR	*	1					
24	6215-541-003-10	LEVER,CONTROL	*	1					
25	6209-044-001-00	BOLT/M6X18	*	1					
26	6909-111-406-00	NUT	*	2					
27	V720-101-900-80	O-RING/P 8	*	1					
28	6209-580-002-10	SPRING,RETURN	*	1					
29	6215-549-021-00	PLATE,CONTROL VALVE	*	1					
29A	6215-549-021-10	PLATE(CONTROLLEVER)	*	1		1			
30	6215-549-007-00	ARM,CONTROL	*	1					
30A	6215-549-007-10	ARM/CONTROL	*	1		1			
31	6909-110-406-00	NUT	*	1					
32	V411-260-006-00	WASHER / M6	*	1					
33	V401-160-006-00	WASHER,SP/M 6	*	1					
34	6215-549-008-00	SPRING,STARTING	*	1					
34A	6215-549-008-10	SPRING/STARTING	*	1		1			

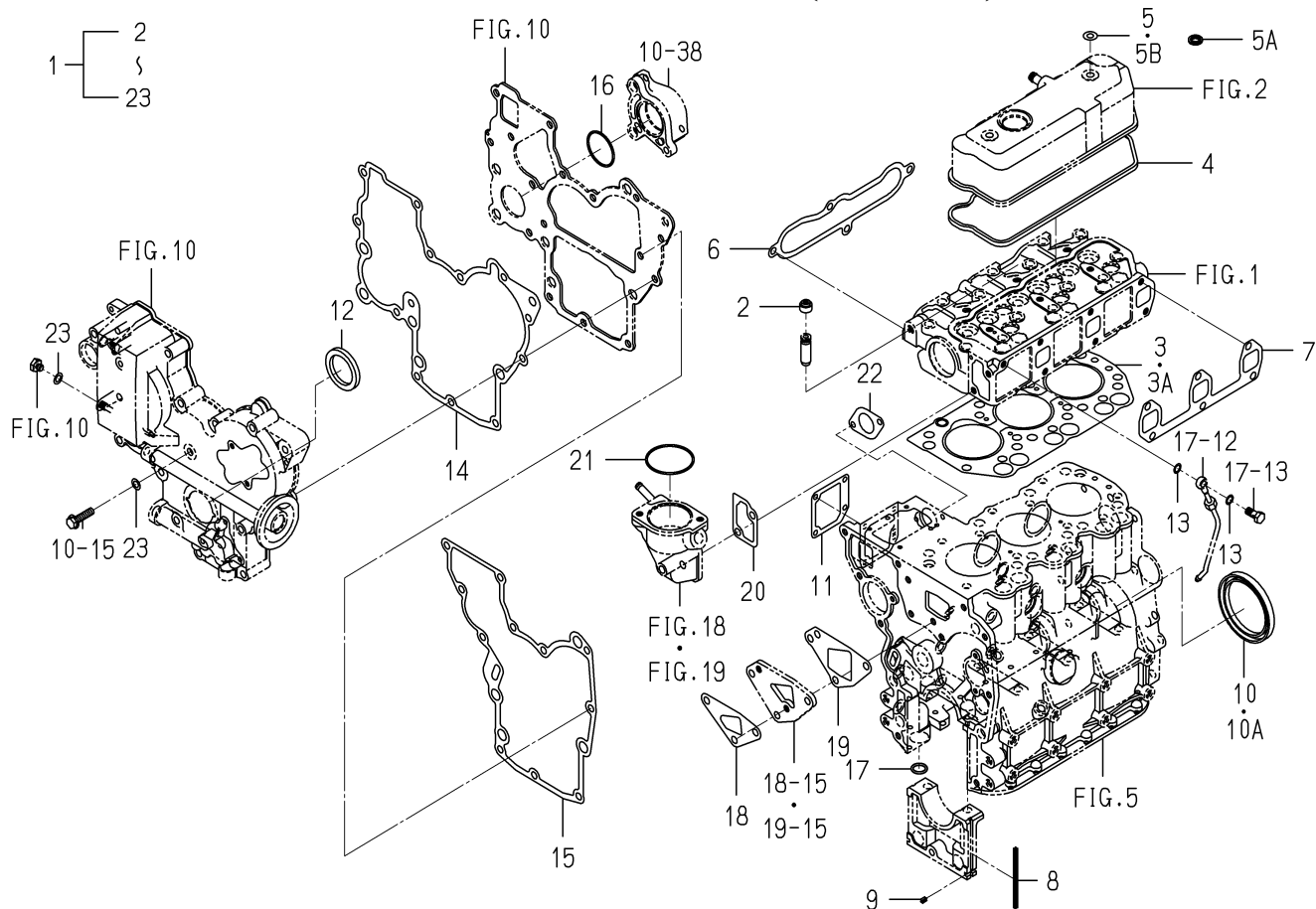
FIG. 23 FUEL PIPE



6003-550I-0100

KEY	PART CODE	DESCRIPTION	S P C	TYPE OF MODEL		I T C	C O L	G R P	REMARKS
				E374G					
1	6215-412-001-20	CONNECTOR/FUEL	*	1					
2	6209-360-010-00	HOSE,RUBBER	*	2					
				-121258					
2A	6215-411-074-10	PIPE/FUEL	*	1					
				121259-					
3	6509-360-912-10	HOSE,RUBBER	*	1					
4	6515-419-014-00	CAP	*	1					
				-121185					
5	J062-076-082-00	CLIP/HOSE/7.6-8.2	*	1					
6	J062-062-067-00	CLIP/HOSE/6.2-6.7	*	1					
				-121185					

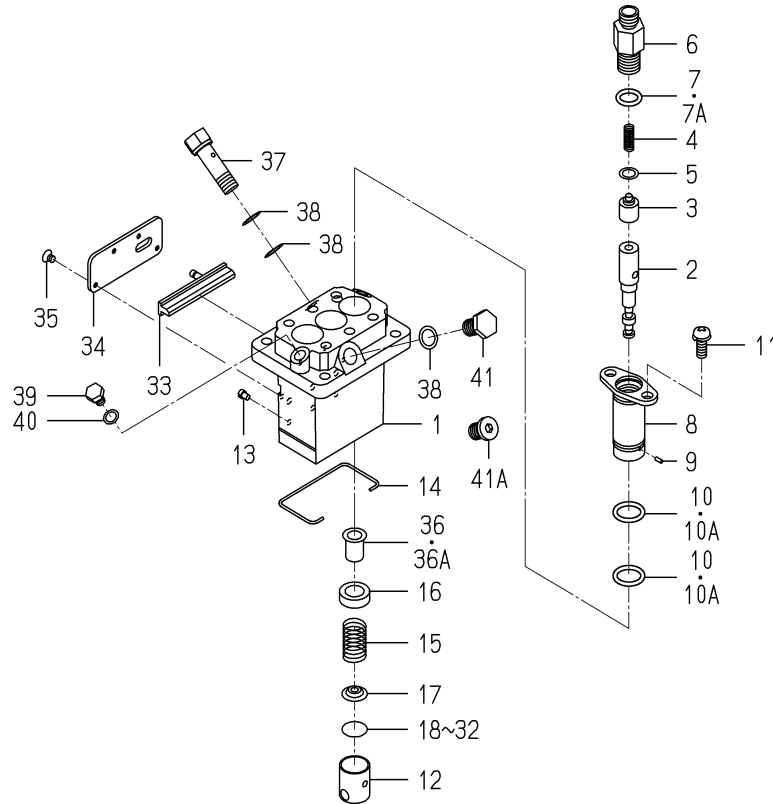
FIG. 28 REPAIR PARTS (OPTION)



6003-999 -0100

KEY	PART CODE	DESCRIPTION	S P C	TYPE OF MODEL		I T C	C O L	G R P	REMARKS
				E374G					
1	6287-810-004-30	REPAIR/ENGINE SET	R	1		1			
2	6212-569-002-00	SEAL,OIL	R	6					
3	6211-141-007-30	GASKET/CYLINDERHEAD	R	1	-186096				
3A	6211-141-007-40	GASKET/CYLINDERHEAD	R	1	186097-	1			
4	6211-173-003-00	SEAL,CYL.HEAD COVER	R	1					
5	6909-572-008-00	PACKING	R	2	-204834				
5A	6209-572-002-00	GASKET	R	2	-222070				
5B	6209-572-003-00	GASKET	R	2	222071-				
6	6214-115-001-20	GASKET,INLET MANIFOL	R	1					
7	6214-145-001-30	GASKET,EXH.MANIFOLD	R	1					
8	6211-258-001-00	SEAL,BEARING CAP	R	4					
9	6211-258-002-00	SEAL,BEARING CAP/7	R	2					
10	6209-625-001-00	SEAL,OIL	R	1	-187229				
10A	6209-625-012-00	OILSEAL	R	1	187230-				
11	6211-292-001-20	GASKET/COVER	R	1					
12	6209-625-002-00	SEAL,OIL	R	1					
13	6209-920-002-00	PACKING	R	2					
14	6211-312-001-30	GASKET/GEARCASE	R	1		1			
15	6211-312-002-30	GASKET/PLATE	R	1		1			
16	V723-102-004-20	O-RING	R	1					
17	V720-102-401-50	O-RING/P15	R	1					
18	6213-614-003-10	GASKET/WATER PUMP	R	1					
19	6213-614-006-10	GASKET/SPACER	R	1					
20	6213-743-002-10	GASKET/HOUSING	R	1					
21	V723-102-005-50	O-RING	R	1					
22	6209-630-002-10	GASKET	R	1					
23	6209-500-003-00	WASHER/08X14X01	R	2					

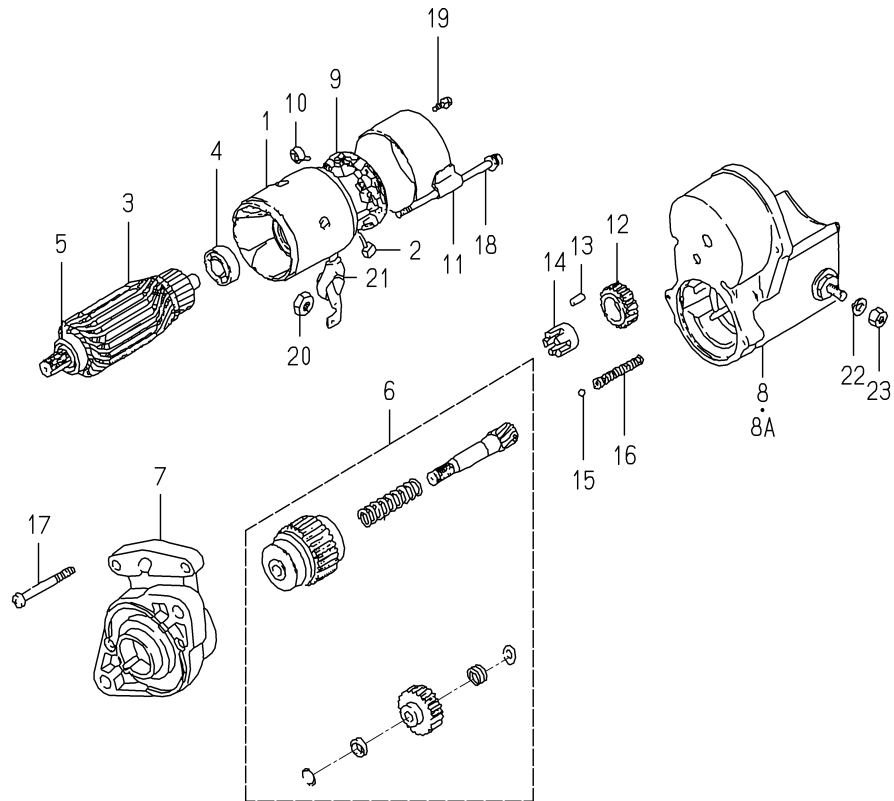
**FIG. 32 COMPONENT PARTS
FOR 6215-600-088-10 ON Fig.22**



6215-600-088-1E

KEY	PART CODE	DESCRIPTION	S P C	TYPE OF MODEL		I T C	C O L	G R P	REMARKS
				E374G					
1	6215-611-002-00	HOUSING,PUMP	*	1					
2	6215-631-004-00	PLUNGER ASSY	*	3					
3	6215-641-002-00	VALVE,DELIVERY	*	3					
4	6215-643-003-00	SPRING,DELIVERYVALVE	*	3					
5	6215-649-003-00	GASKET	*	3					
6	6215-644-003-00	HOLDER,DELIVERYVALVE	*	3					
7	6215-649-004-00	O-RING	*	3	-211460				
7A	6215-649-004-10	ORING	*	3	211461-	1			
8	6215-635-002-00	SLEEVE,FRANGE	*	3					
9	6215-649-005-00	PIN	*	3					
10	6215-649-006-00	O-RING	*	6	-211460				
10A	6215-649-006-10	ORING	*	6	211461-	1			
11	6215-649-007-00	SCREW	*	6					
12	6215-622-002-00	TAPPET	*	3					
13	6215-629-017-00	PIN	*	3					
14	6215-629-018-00	RING,SNAP	*	1					
15	6215-634-002-00	SPRING,PLUNGER	*	3					
16	6215-639-006-00	SEAT,SPRING	*	3					
17	6215-639-007-00	SEAT,SPRING	*	3					
18	6215-629-020-00	PLATE/T=1.80	*	1					
19	6215-629-021-00	PLATE/T=1.85	*	1					
20	6215-629-022-00	PLATE/T=1.90	*	1					
21	6215-629-023-00	PLATE/T=1.95	*	1					
22	6215-629-024-00	PLATE/T=2.00	*	1					
23	6215-629-025-00	PLATE/T=2.05	*	1					
24	6215-629-026-00	PLATE/T=2.10	*	1					
25	6215-629-027-00	PLATE/T=2.15	*	1					
26	6215-629-028-00	PLATE/T=2.20	*	1					
27	6215-629-029-00	PLATE/T=2.25	*	1					
28	6215-629-030-00	PLATE/T=2.30	*	1					

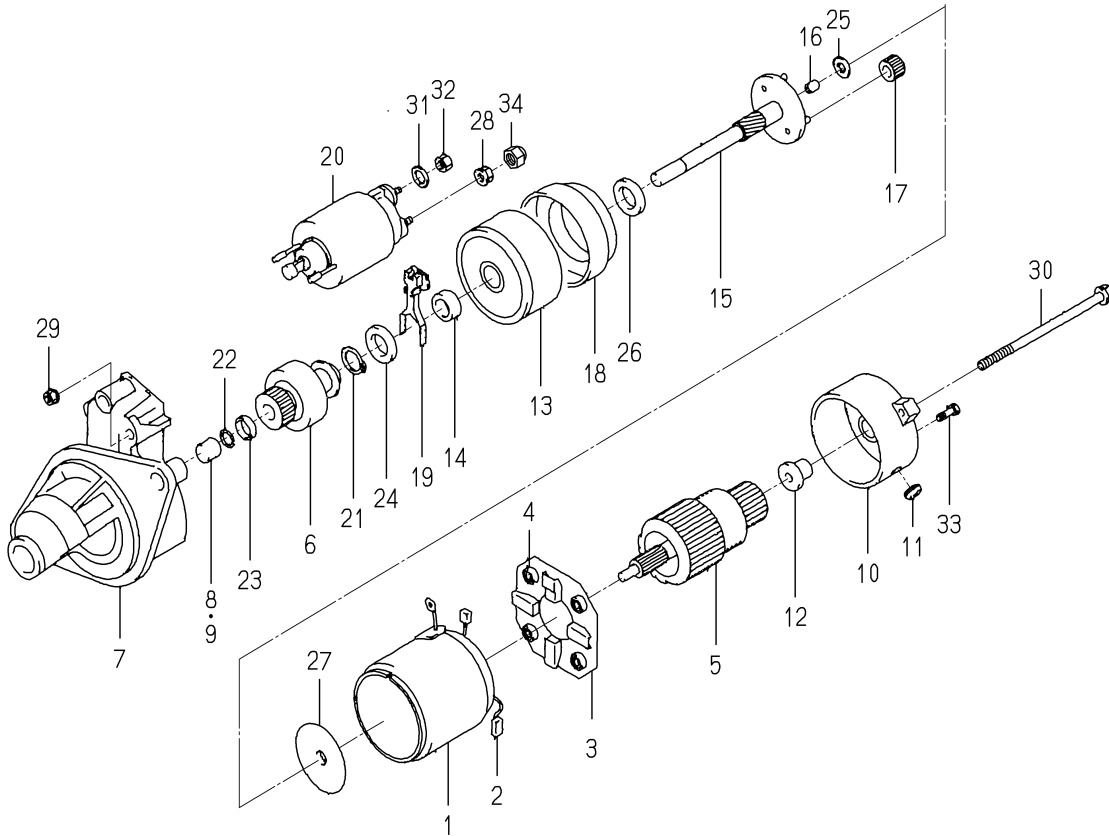
**FIG. 33 COMPONENT PARTS
FOR 6281-100-003-10 ON Fig.25**



6281-100-003-1D

KEY	PART CODE	DESCRIPTION	S P C	TYPE OF MODEL		I T C	C O L	G R P	REMARKS
				E374G					
1	6281-111-002-00	YOKE/STARTER	*	1	-208421				
2	6281-116-002-00	STARTER KIT	*	2	-208421				
3	6281-121-003-00	ARMATURE	*	1	-208421				
4	6281-129-010-00	BEARING,BALL	*	1	-208421				
5	6281-129-011-00	BEARING,BALL	*	1	-208421				
6	6281-124-001-00	STARTER KIT	*	1	-208421				
7	6281-129-007-00	HOUSING/STARTER ASSY	*		-208421				
8	6281-151-004-00	SWITCH/STARTER ASSY	*	1	-159252				
8A	6281-151-004-10	SWITCH/STARTER ASSY	*	1	-208421	1			
9	6281-118-001-00	HOLDER ASSY	*	1	-208421				
10	6581-117-007-00	SPRING,BRUSH	*	4	-208421				
11	6281-115-004-00	FRAME/STARTER END	*	1	-208421				
12	6581-123-011-00	PINION,STARTER	*	1	-208421				
13	6581-129-099-00	RORA	*	5	-208421				
14	6581-129-100-00	RETAINER	*		-208421				
15	6581-129-092-00	BALL	*	1	-208421				
16	6581-129-096-00	SPRING	*	1	-208421				
17	6281-129-006-00	SCREW	*	2	-208421				
18	6281-129-008-00	BOLT/WS	*	2	-208421				
19	6281-129-009-00	SCREW/WS	*	2	-208421				
20	6909-111-508-00	NUT	*	1	-208421				
21	6281-129-019-00	CAP/RABBER	*	4	-208421				
22	6909-150-508-00	WASHER	*		-208421				
23	6909-110-408-00	NUT/M8	*		-208421				

**FIG. 34 COMPONENT PARTS
FOR 6251-100-014-00 ON Fig.26**



6281-100-014-0A

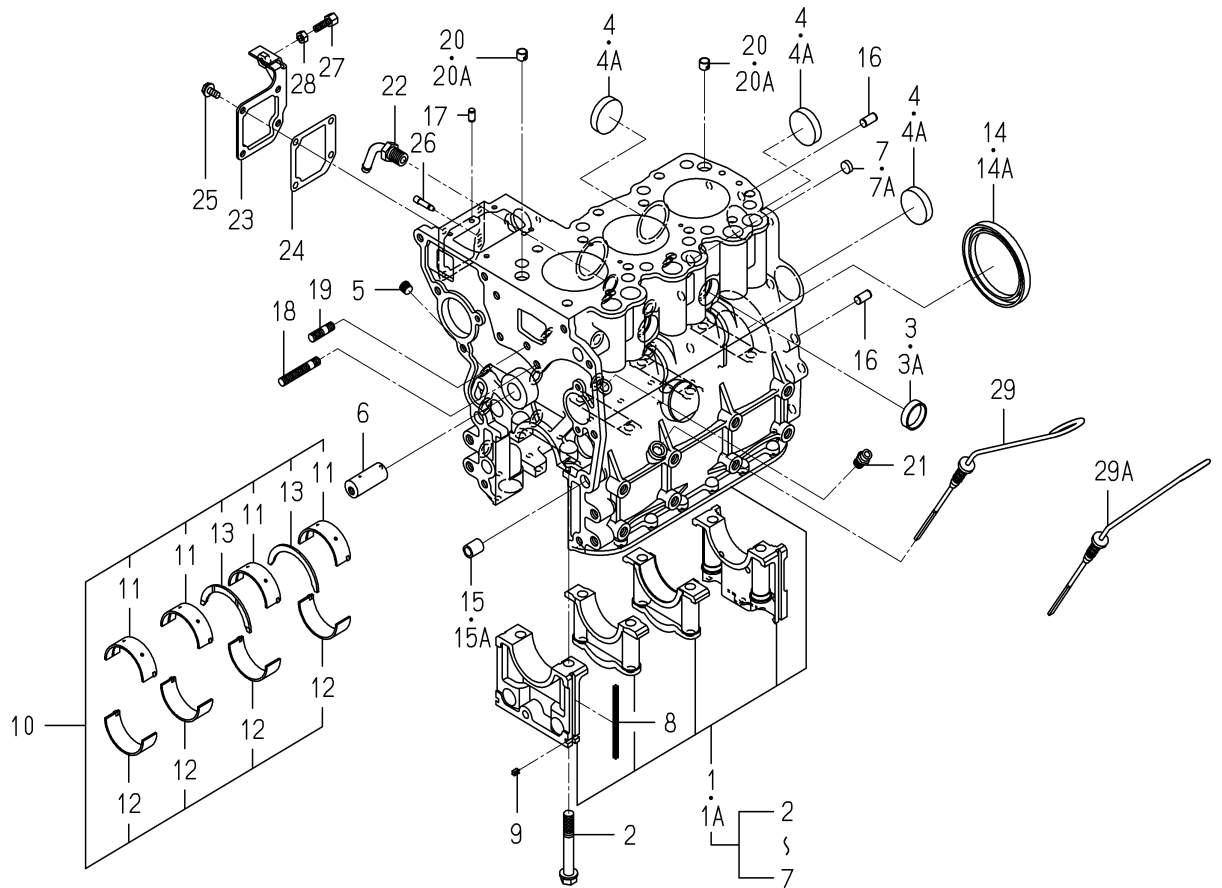
KEY	PART CODE	DESCRIPTION	S P C	TYPE OF MODEL		I T C	C O L	G R P	REMARKS
				E374G					
1	6281-111-009-00	YOKE/STARTER ASSY	*	1					
2	6281-119-009-00	BRUSH/STARTER	*	208422-2					
3	6281-118-007-00	HOLDER/STARTER ASSY	*	1					
4	6281-117-003-00	SPRING/STARTERBRUSH	*	208422-4					
5	6281-121-010-00	ARMATURE/STARTE ASSY	*	1					
6	6281-124-011-00	CLUTCH/STARTER ASSY	*	208422-1					
7	6281-129-064-00	HOUSING/STARTER ASSY	*	208422-1					
8	6281-129-080-00	BEARING/NEEDLE	*	208422-1					
9	6281-129-058-00	BEARING/NEEDLE	*	208422-1					
10	6281-115-017-00	FRAME/COMMUTATOR END	*	208422-1					
11	6281-115-018-00	COVER	*	208422-1					
12	6281-129-065-00	BEARING/OILLESS	*	208422-1					
13	6281-129-066-00	BEARING/WITH SHOCKAB	*	208422-1					
14	6281-129-067-00	BEARING/OILLESS	*	208422-1					
15	6281-129-068-00	SHAFT/STARTER PLANET	*	208422-1					
16	6281-129-069-00	BEARING/OILLESS	*	208422-1					
17	6281-129-070-00	GEAR/STARTER PLANETA	*	3					
18	6281-129-071-00	GEAR/STARTERINTERNAL	*	1					
19	6281-127-003-00	LEVER/PINIONDRIVE	*	208422-1					
20	6281-151-014-00	SWITCH/MAGNETIC ASSY	*	208422-1					
21	6281-129-072-00	RING/SNAP	*	208422-1					
22	6281-129-073-00	RING/SNAP	*	208422-1					
23	6281-129-074-00	NUT/PINIONSTOP	*	208422-1					
24	6281-129-075-00	WASHER/SK	*	208422-1					
25	6281-129-076-00	WASHER/SK	*	208422-1					
26	6281-129-077-00	WASHER/SK	*	208422-1					
27	6281-129-078-00	PLATE	*	208422-1					
28	6281-129-030-00	NUT	*	208422-1					
29	6281-129-029-00	NUT	*	208422-2					
30	6281-129-043-00	BOLT/THROUGH	*	208422-2					

ENGINE

E374G01...SG173(S-TYPE)

ENGINE

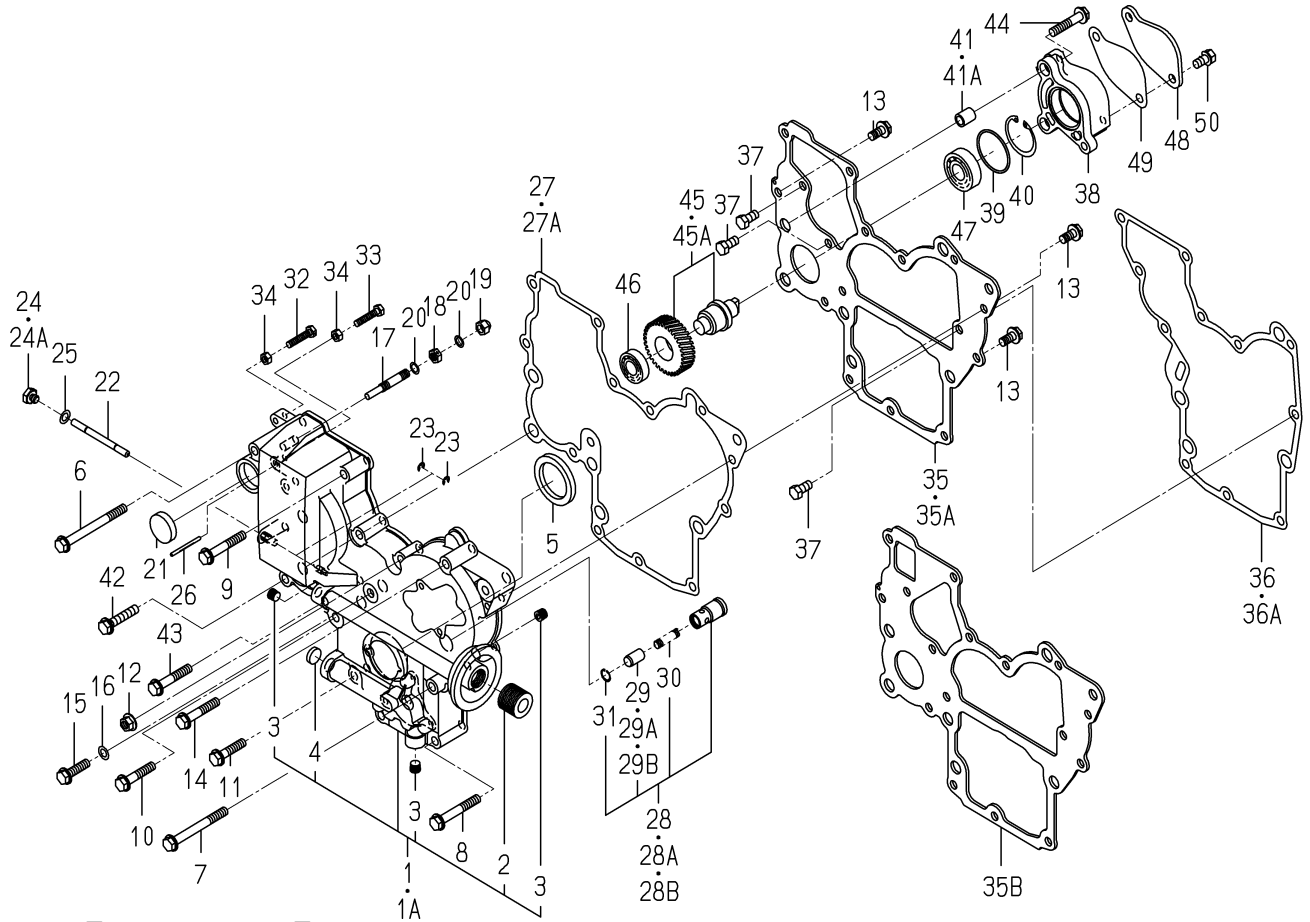
FIG. 5 CYLINDER BLOCK



6003-201T-0100

KEY	PART CODE	DESCRIPTION	S P C	TYPE OF MODEL		I T C	C O L	G R P	REMARKS
				E374G01					
1	6211-210-014-20	CYLINDERBLOCK ASSY	*	1	-160680				
1A	6211-210-014-30	CYLINDERBLOCK ASSY	*	1	160681-	1			
2	6209-000-004-10	BOLT	*	8		1			
3	6209-610-001-00	CAP,SEALING	*	2	-202173				
3A	6209-610-001-10	CUP/SEALING/28	*	2	202174-	1			
4	6911-219-195-00	CAP,SEALING	*	4	-201994				
4A	6209-610-009-00	CUP/SEALING/36	*	4	201995-				
5	6509-605-019-10	PLUG	*	3					
6	6212-531-005-10	PIN/IDLEGEAR	*	1					
7	6911-129-083-00	CAP,SEALING	*	1	-202033				
7A	6209-610-008-00	CUP/SEALING/12	*	1	202034-				
8	6211-258-001-00	SEAL,BEARING CAP	*	4					
9	6211-258-002-00	SEAL,BEARING CAP/7	*	2					
10	6211-510-001-00	METAL,CRANK SET	*	1					
11	6211-511-003-00	BEARING/CRANK/UPPER	*	4					
12	6211-511-004-00	BEARING/CRANK/LOWER	*	4					
13	6211-599-001-10	BEARING,THRUST CRANK	*	2					
14	6209-625-001-00	SEAL,OIL	*	1	-187265				
14A	6209-625-012-00	OILSEAL	*	1	187266-				
15	6209-749-001-10	PIN,TUBE	*	2	-140551				
15A	6209-749-001-20	PIN/TUBE	*	2	140552-	1			
16	6213-129-006-00	PIN/STRAIGHT	*	2					
17	6213-129-005-00	PIN/STRAIGHT	*	2					
18	6904-110-840-00	STUD/M8X40	*	1					
19	6904-110-818-00	STUD	*	1					
20	6894-453-344-00	DOWEL	*	2	-125996				
20A	6294-453-002-00	DOWEL	*	2	125997-				
21	6909-902-299-00	NIPPLE	*	1					
22	6213-721-001-00	PIPE,WATER DRAIN	*	1					
23	6211-291-001-10	COVER,INJ PUMP	*	1					

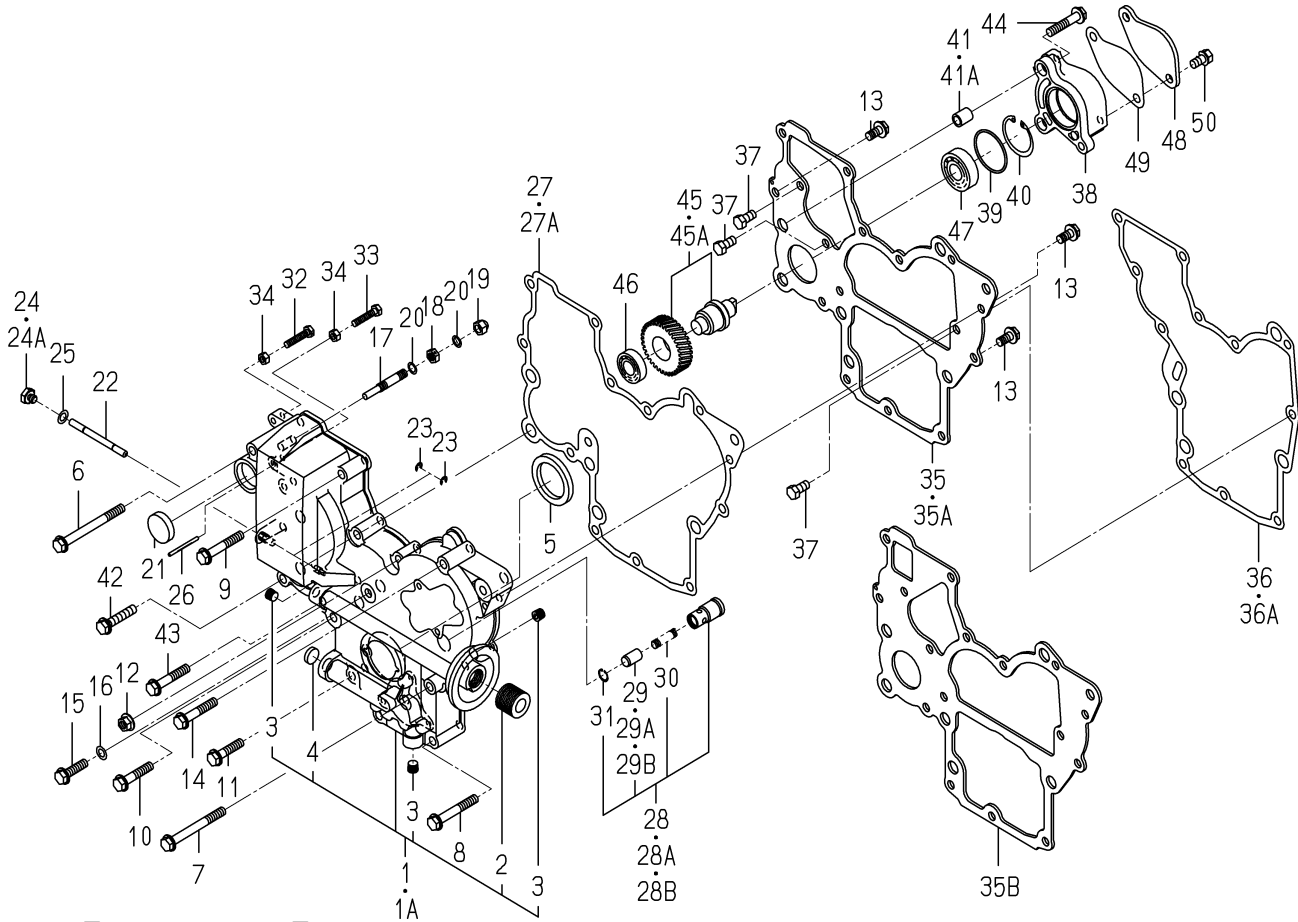
FIG. 10 TIMING GEAR CASE



6003-240E-0100,6003-240E-0200

KEY	PART CODE	DESCRIPTION	S P C	TYPE OF MODEL		I T C	C O L	G R P	REMARKS
				E374G01					
1	6211-310-006-20	GEARCASE ASSY	*	1	-150775				
1A	6211-310-006-30	GEARCASE ASSY	*	1	150776-	1			
2	6213-319-001-00	CONNECTOR,OIL FILTER	*	1					
3	6509-605-019-10	PLUG	*	3					
4	6209-610-002-10	CUP/SEALING/16	*	1					
5	6209-625-002-00	SEAL,OIL	*	1					
6	V231-360-808-50	FLANGE BOLT	*	1					
7	V231-360-807-50	FLANGE BOLT	*	1					
8	V231-360-805-50	FLANGE BOLT	*	2					
9	V231-360-805-00	FLANGE BOLT	*	2					
10	V231-360-804-00	FLANGE BOLT	*	1					
11	V231-360-803-50	FLANGE BOLT	*	1					
12	3817-401-001-00	NUT/M08	*	1					
13	V231-360-801-60	FLANGE BOLT	*	3					
14	V231-360-804-50	FLANGE BOLT	*	1					
15	V231-360-803-00	FLANGE BOLT	*	1					
16	6209-500-003-00	WASHER/08X14X01	*	1					
17	6215-546-001-00	STOPPER,FULL-LOAD	*	1					
18	6209-409-001-00	NUT/M8	*	1					
19	V341-120-008-00	NUT,CAP/M 8	*	1					
20	6209-920-002-00	PACKING	*	2					
21	3625-540-004-00	CAP,BLANK/30	*	1					
22	6215-542-001-10	PIN/ARM	*	1					
23	V710-140-004-00	RING,SNAP/ 4 E	*	2					
24	6909-202-308-00	PLUG	*	1	-204998				
24A	6209-600-004-00	PLUG/SCREW	*	1	204999-				
25	6209-500-003-00	WASHER/08X14X01	*	1					
26	6209-740-001-00	PIN,GROOVE	*	1					
27	6211-312-001-20	GASKET/GEARCASE	*	1	-148221				
27A	6211-312-001-30	GASKET/GEARCASE	*	1	148222-	1			

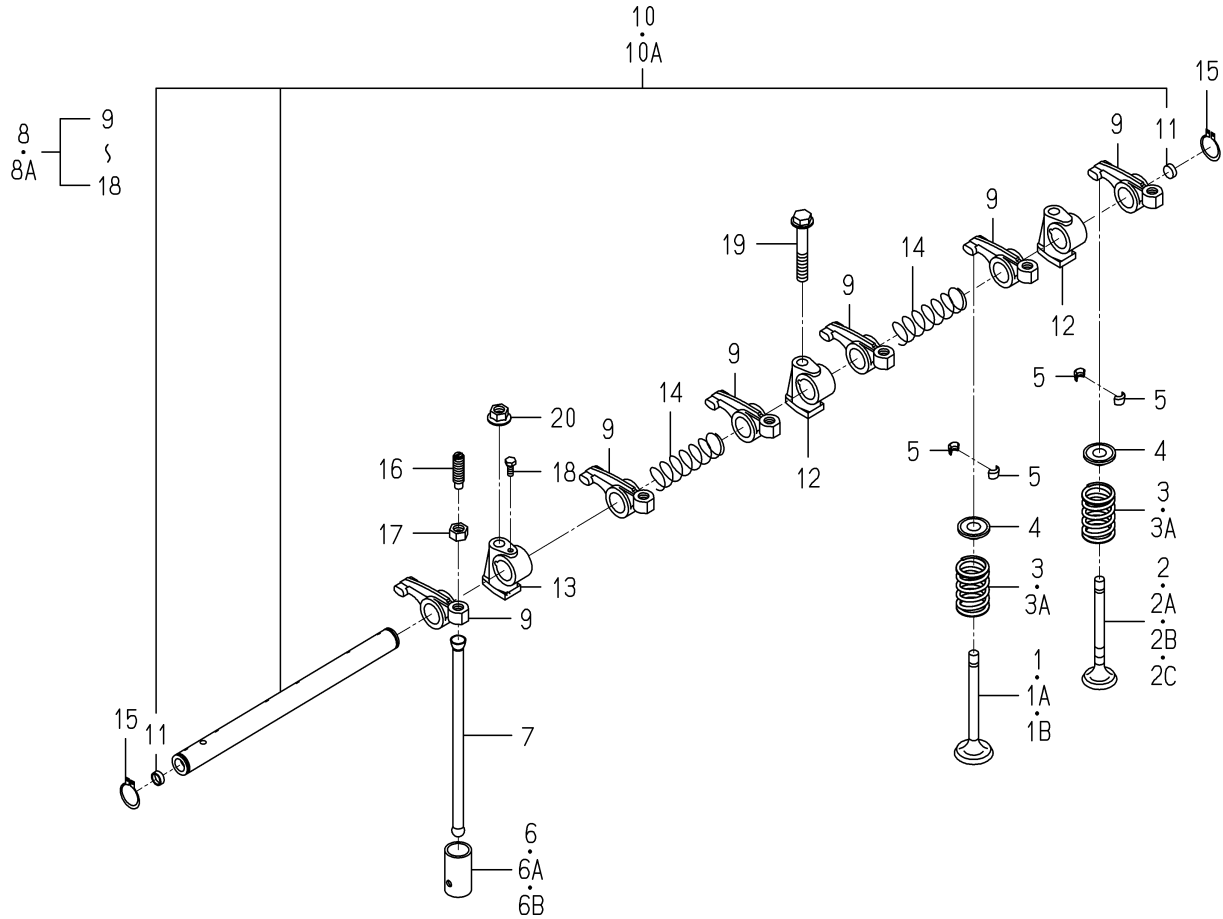
FIG. 10 TIMING GEAR CASE



6003-240E-0100,6003-240E-0200

KEY	PART CODE	DESCRIPTION	S P C	TYPE OF MODEL		I T C	C O L	G R P	REMARKS
				E374G01					
28	6213-160-002-00	VALVE/RELIEF ASSY	*	1	-160774				
28A	6213-160-002-10	VALVE/RELIEF ASSY	*	1	-162896	1			
28B	6213-160-002-20	VALVE/RELIEF ASSY	*	1	162897-	1			
29	6213-161-001-00	PISTON/RELIEF VALVE	*	1	-160774				
29A	6213-161-001-10	PISTON/VALVE/RELIEF	*	1	-162896	1			
29B	6213-161-001-20	PISTON/VALVE/RELIEF	*	1	162897-	1			
30	6213-164-001-00	SPRING/RELIEF VALVE	*	1					
31	V705-140-012-00	RING,SNAP/12 C	*	1					
32	6209-050-001-00	BOLT/M6	*	1					
33	6209-050-002-00	BOLT/M6	*	1					
34	6909-110-406-00	NUT	*	2					
35	6211-311-004-20	PLATE,FRONT	*	1	-196813				
35A	6211-311-004-30	PLATE/FRONT	*	1	-210421	1			
35B	6211-311-004-40	PLATE/FRONT	*	1	210422-	1			
36	6211-312-002-20	GASKET/PLATE	*	1	-148221				
36A	6211-312-002-30	GASKET/PLATE	*	1	148222-	1			
37	6902-050-816-00	BOLT	*	3					
38	6211-319-002-00	SPACER,HYD,REAR	*	1					
39	V723-102-004-20	O-RING	*	1					
40	V705-140-040-00	RING,SNAP/40 C	*	1					
41	6209-749-001-10	PIN,TUBE	*	2	-140551				
41A	6209-749-001-20	PIN/TUBE	*	2	140552-	1			
42	V231-360-805-00	FLANGEBOLT	*	1					
43	V231-360-804-50	FLANGEBOLT	*	1					
44	V231-360-804-00	FLANGEBOLT	*	1					
45	6212-530-004-00	SHAFT,HYD. ASSY	*	1	-208003				
45A	6212-530-004-10	SHAFT/HYDRAULIC ASSY	*	1	208004-	1			
46	V600-110-600-20	BEARING,RB/6002	*	1					
47	V600-110-620-30	BEARING,RB/6203	*	1					
48	6211-321-001-10	COVER	*	1					

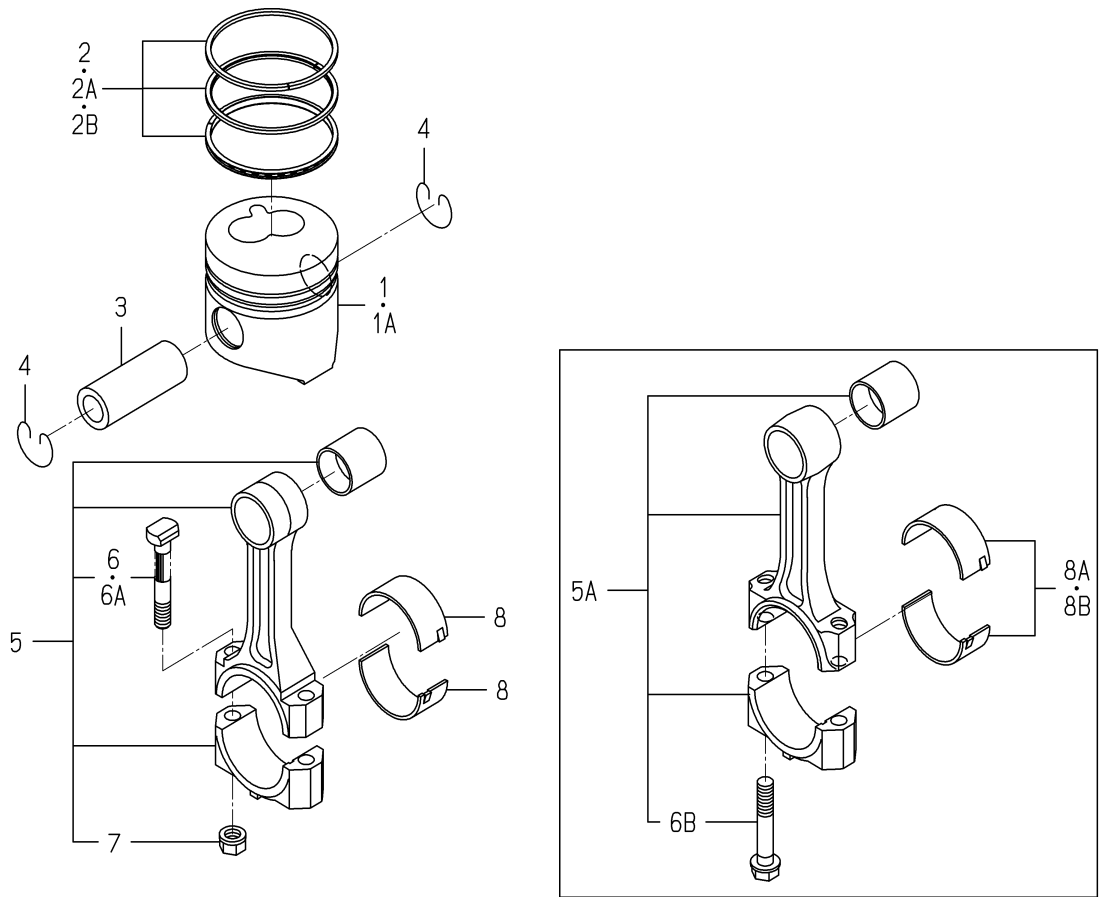
FIG. 12 VALVE



6003-301 -0100

KEY	PART CODE	DESCRIPTION	S P C	TYPE OF MODEL		I T C	C O L	G R P	REMARKS
				E374G01					
1	6212-551-001-00	VALVE,INTAKE	*	3	-215014				
1A	6212-551-001-10	VALVE/INTAKE	*	3	-240842	1			
1B	6212-551-028-00	VALVE/INTAKE	*	3	240843-				
2	6212-552-001-00	VALVE,EXHAUST	*	3	-162896				
2A	6212-552-001-10	VALVE/EXHAUST	*	3	-215014	1			
2B	6212-552-001-20	VALVE/EXHAUST	*	3	-240842	1			
2C	6212-552-014-00	VALVE/EXHAUST	*	3	240843-				
3	6212-561-001-00	SPRING/VALVE	*	6	-212419				
3A	6212-561-001-10	SPRING/VALVE	*	6	212420-	1			
4	6212-563-001-00	SEAT,VALVE SPRING	*	6					
5	6212-565-001-00	CUTTER,VALVE	*	12					
6	6212-571-001-10	TAPPET	*	6	-141050				
6A	6212-571-003-00	TAPPET	*	6	-212429				
6B	6212-571-006-00	TAPPET	*	6	212430-				
7	6212-575-001-00	ROD,PUSH	*	6					
8	6212-600-002-00	SHAFT,ROCKER ASSY	*	1	-186860				
8A	6212-600-002-10	ROCKERSHAFT ASSY	*	1	186861-	1			
9	6212-611-004-10	ROCKERARM	*	6					
10	6212-620-001-10	SHAFT,ROCKER ARM ASSY	*	1	-186860				
10A	6212-620-001-20	SHAFT/ROCKERARM ASSY	*	1	186861-	1			
11	6212-626-002-10	PLUG	*	2					
12	6212-628-004-00	BRACKET ROCKER SHAFT	*	2					
13	6212-628-005-00	BRACKET,ROCKER SHAFT	*	1					
14	6209-940-004-00	SPRING	*	2					
15	V704-140-016-00	RING,SNAP/16 C	*	2					
16	6212-616-002-00	SCREW ADJUST	*	6					
17	6209-409-003-00	NUT	*	6					
18	6209-000-002-00	BOLT	*	1					
19	V231-360-805-00	FLANGE BOLT	*	1					
20	3817-401-001-00	NUT/M08	*	2					

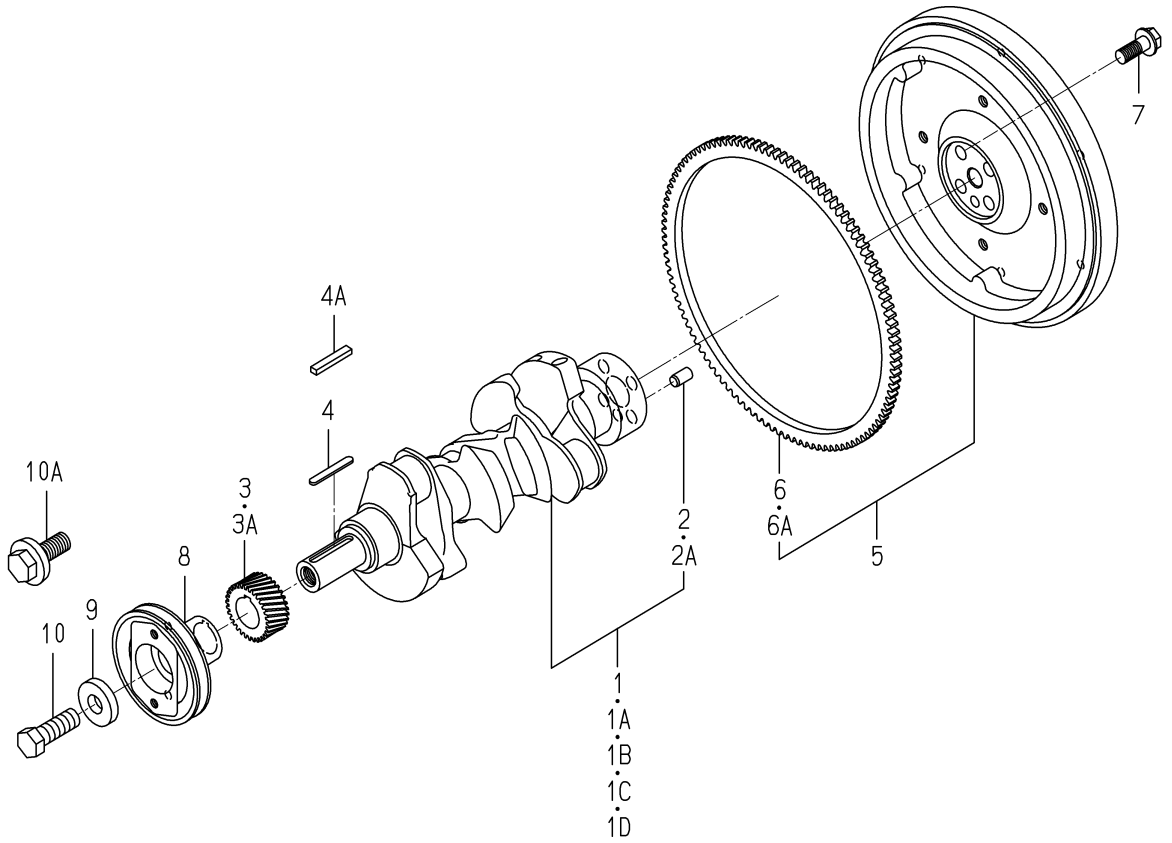
FIG. 14 PISTON



6003-340A-0100

KEY	PART CODE	DESCRIPTION	S P C	TYPE OF MODEL		I T C	C O L	G R P	REMARKS
1	6212-111-010-10	PISTON	*	3					
1A	6212-111-010-20	PISTON	*	-249487		1			
2	6212-121-005-00	RING/PISTON SET	*	3					
2A	6212-121-005-10	RING/PISTON SET	*	-181223		1			
2B	6212-121-005-20	RING/PISTON SET	*	3		1			
3	6212-211-001-10	PIN,PISTON	*	3					
4	6209-587-001-00	RING,SNAP	*	6					
5	6212-230-003-00	ROD,CONNECTING	*	3					
5A	6212-230-003-10	CONNECTINGROD ASSY	*	-219825		3			
6	6212-235-001-00	BOLT,CONN ROD	*	3					
6A	6212-235-001-10	BOLT/CONNECTINGROD	*	219826-		1			
6B	6212-235-005-00	BOLT/CONNECTINGROD	*	6					
7	6209-440-003-00	NUT/FLANGE	*	-142430					
8	6212-261-006-00	BEARING/CONN ROD	*	6					
8A	6212-271-006-00	BEARING/CONNECTING R	*	-219825					
8B	6212-271-016-00	BEARING/CONNECTING R	*	6					
				-259197					
				3					
				259198-					

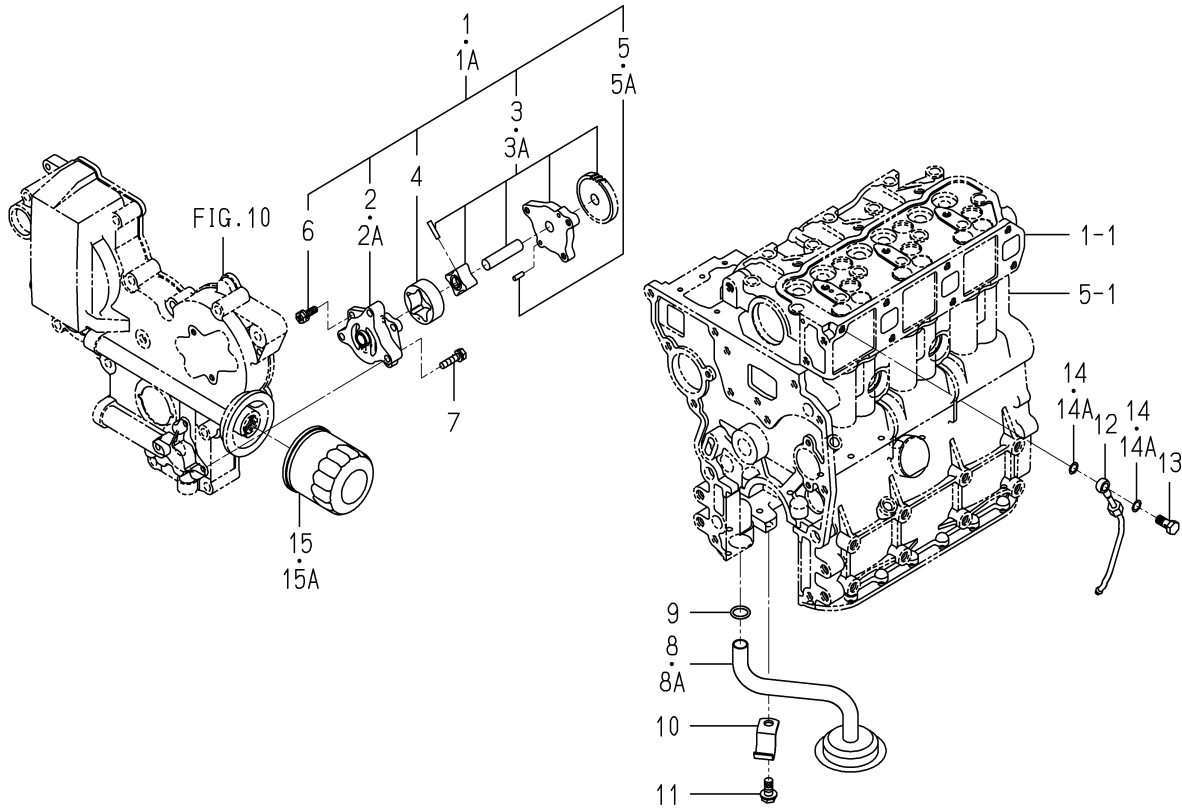
FIG. 16 CRANK SHAFT



6003-350H-0100

KEY	PART CODE	DESCRIPTION	S P C	TYPE OF MODEL		I T C	C O L	G R P	REMARKS
				E374G01					
1	6212-310-008-00	SHAFT,CRANK ASSY	*	1	-113098				
1A	6212-310-008-10	CRANKSHAFT ASSY	*	1	-177251	1			
1B	6212-310-008-20	CRANKSHAFT ASSY	*	1	-187441	1			
1C	6212-310-008-30	CRANKSHAFT ASSY	*	1	-243180	1			
1D	6212-310-008-50	CRANKSHAFT ASSY	*	1	243181-	1			
2	6908-161-018-00	PIN	*	1	-125071				
2A	V523-101-001-80	PIN	*	1	125072-				
3	6212-521-002-00	GEAR,CRANK SHAFT	*	1	-206907				
3A	6212-521-008-00	GEAR/CRANK	*	1	206908-				
4	6908-000-750-00	KEY	*	1	-205638				
4A	6209-730-006-00	KEY/07X05X43	*	1	205639-				
5	6212-330-013-30	FLYWHEEL	*	1					
6	6212-333-001-00	GEAR,RING	*	1	-134270				
6A	6212-333-003-00	RINGGEAR	*	1	134271-				
7	6209-046-015-00	BOLT/FLANGE	*	4					
8	6212-371-014-20	PULLEY	*	1					
9	6212-379-001-00	WASHER	*	1	-261516				
10	6901-066-645-00	BOLT	*	1	-261516				
10A	6209-000-043-00	BOLT/CRANK	*	1	261517-				

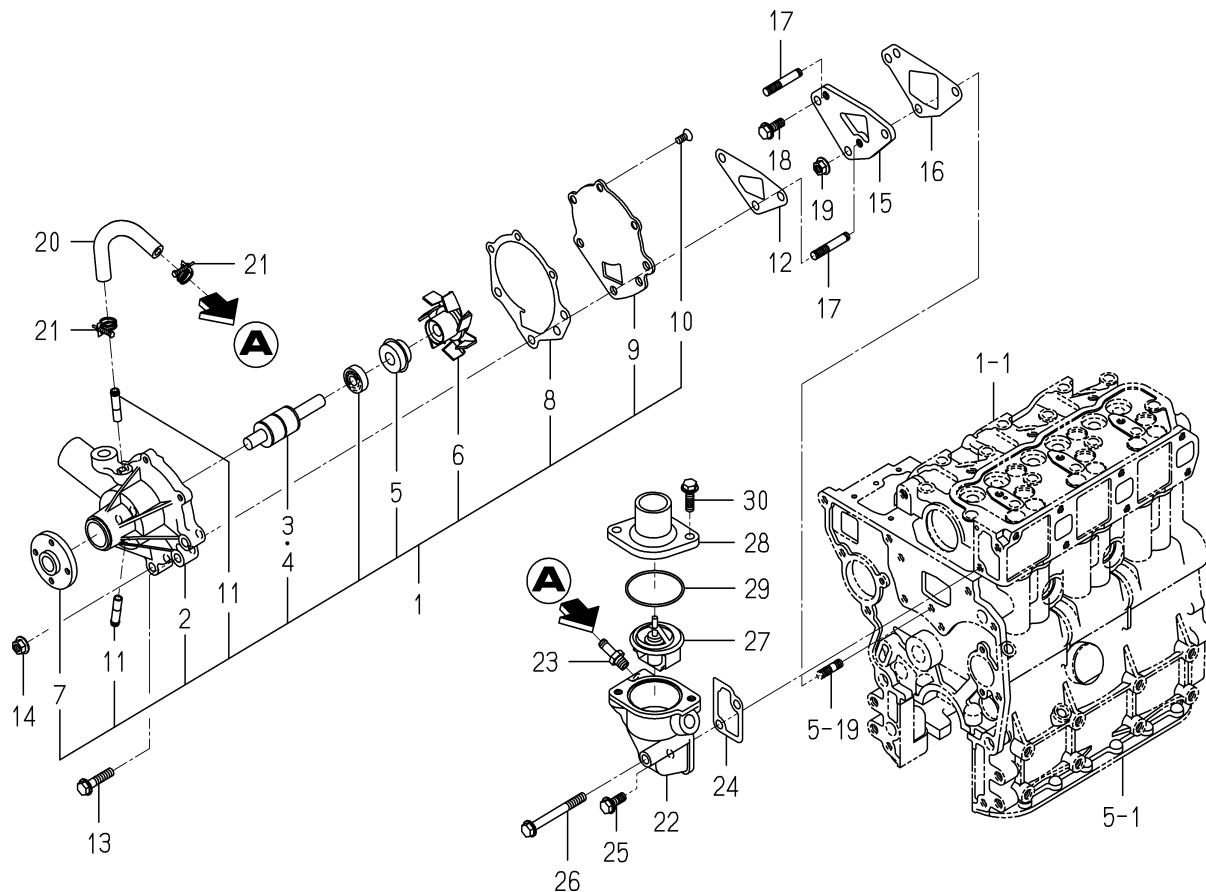
FIG. 17 OIL PUMP



6003-401 -0100

KEY	PART CODE	DESCRIPTION	S P C	TYPE OF MODEL		I T C	C O L	G R P	REMARKS
				E374G01					
1	6213-100-003-20	PUMP,OIL ASSY	*	1	-146749				
1A	6213-100-003-30	OILPUMP ASSY	*	1	146750-	1			
2	6213-111-001-20	BODY/OILPUMP	*	1	-189679				
2A	6213-111-001-30	BODY/OILPUMP	*	1	189680-	3			
3	6213-120-003-00	GEAR/OILPUMP ASSY	*	1	-146755				
3A	6213-120-003-20	GEAR/OILPUMP ASSY	*	1	146756-	1			
4	6213-125-001-00	ROTOR/OUTER	*	1					
5	6908-160-408-00	PIN/STRAIGHT	*	2	-189679				
5A	6213-129-003-00	PIN/STRAIGHT	*	2	189680-				
6	6213-119-001-00	BOLT/WS	*	3					
7	6901-910-625-00	BOLT	*	3					
8	6213-140-002-00	STRAINER	*	1	-194271				
8A	6213-140-002-10	STRAINER COMP	*	1	194272-	1			
9	V720-102-401-50	O-RING/P15	*	1					
10	6213-149-001-00	CLAMP,STRAINER	*	1					
11	V231-360-801-60	FLANGEBOLT	*	1					
12	6213-311-003-10	PIPE,OIL	*	1					
13	6909-906-105-10	BOLT,JOINT	*	1					
14	6909-920-843-00	PACKING	*	2	-135532				
14A	6209-920-002-00	PACKING	*	2	135533-				
15	6213-240-002-00	CARTRIDGE,OIL FILTER	*	1	-159738				
15A	6213-240-002-10	CARTRIDGE/OILFILTER	*	1	159739-	1			

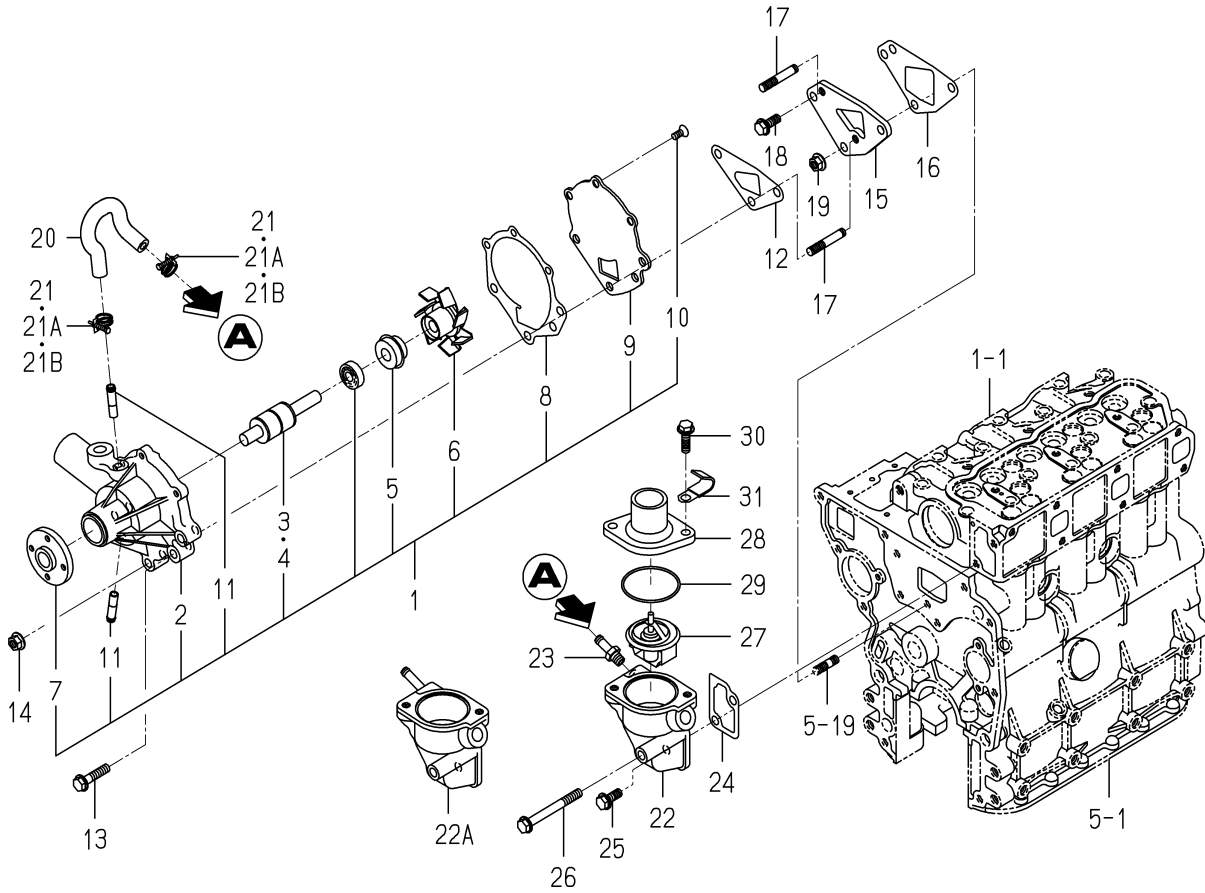
FIG. 18 WATER PUMP



6003-420B-0100

KEY	PART CODE	DESCRIPTION	S P C	TYPE OF MODEL		I T C	C O L	G R P	REMARKS
				E374G01					
1	6213-610-005-30	WATERPUMP ASSY	*	1	-116762				
2	6213-611-003-20	BODY/WATERPUMP	*	1	-116762				
3	6213-631-002-00	BEARING/WATER PUMP	*	1	-116762				
4	6213-631-005-00	BEARING/WATERPUMP	*	1	-116762				
5	6213-622-002-10	SEAL SET/WATER PUMP	*	1	-116762				
6	6213-621-003-00	ROTOR/WATERPUMP	*	1	-116762				
7	6213-642-002-00	SEAL/WATER PUMPPULLE	*	1	-116762				
8	6213-613-002-10	GASKET	*	1	-116762				
9	6213-612-004-00	PLATE/WATER PUMP	*	1	-116762				
10	6213-619-003-00	SCREW/WATER PUMP	*	3	-116762				
11	6213-619-002-00	PIPE/WATER PUMP	*	2	-116762				
12	6213-614-003-10	GASKET/WATER PUMP	*	1	-116762				
13	V231-360-804-50	FLANGEBOLT	*	1	-116762				
14	3817-401-001-00	NUT/M08	*	2	-116762				
15	6213-619-005-00	SPACER, WATER PUMP	*	1	-116762				
16	6213-614-006-10	GASKET/SPACER	*	1	-116762				
17	6209-300-002-00	STUD	*	2	-116762				
18	V231-360-802-00	FLANGEBOLT	*	1	-116762				
19	3817-401-001-00	NUT/M08	*	1	-116762				
20	6213-729-001-00	HOSE, RUBBER	*	1	-116762				
21	J061-210-015-00	CLAMP/WIRE/10-15	*	2	-116762				
22	6213-716-001-40	HOUSING/THERMOSTAT	*	1	-116762				
23	6213-721-003-00	PIPE, PUMP HOUSING	*	1	-116762				
24	6213-743-002-10	GASKET/HOUSING	*	1	-116762				
25	V231-360-802-00	FLANGEBOLT	*	1	-116762				
26	V231-360-807-50	FLANGEBOLT	*	1	-116762				
27	6513-770-022-10	THERMOSTAT	*	1	-116762				
28	6213-711-003-20	PIPE, WATER OUTLET	*	1	-116762				
29	V723-102-005-50	O-RING	*	1	-116762				
30	V231-360-802-50	FLANGEBOLT	*	2	-116762				

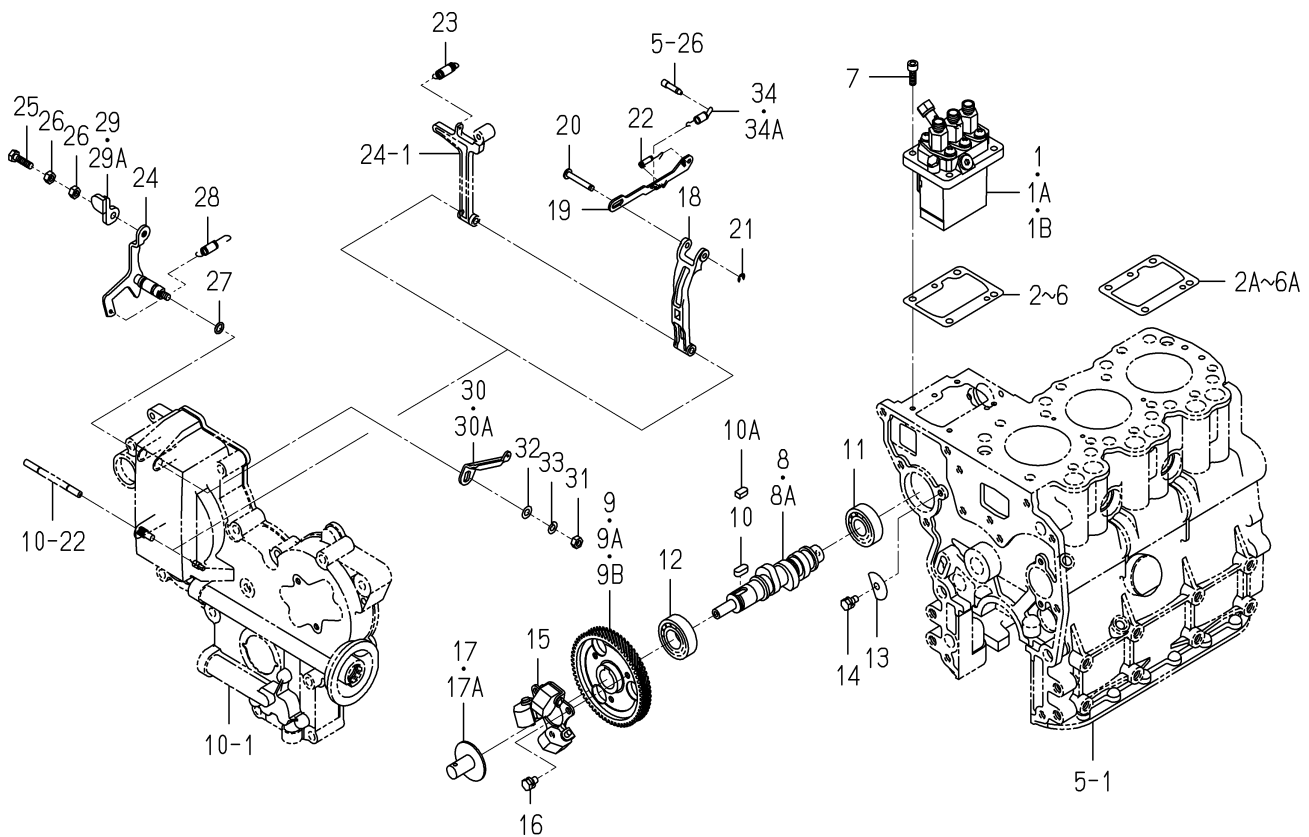
FIG. 19 WATER PUMP



6003-420G-0100

KEY	PART CODE	DESCRIPTION	S P C	TYPE OF MODEL		I T C	C O L	G R P	REMARKS
				E374G01					
1	6213-610-005-40	WATERPUMP ASSY	*	1	116763-				
2	6213-611-003-20	BODY/WATERPUMP	*	1	116763-				
3	6213-631-002-00	BEARING/WATER PUMP	*	1	116763-				
4	6213-631-005-00	BEARING/WATERPUMP	*	1	116763-				
5	6213-622-002-10	SEAL SET/WATER PUMP	*	1	116763-				
6	6213-621-003-00	ROTOR/WATERPUMP	*	1	116763-				
7	6213-642-002-00	SEAL/WATER PUMPPULLE	*	1	116763-				
8	6213-613-002-10	GASKET	*	1	116763-				
9	6213-612-004-00	PLATE/WATER PUMP	*	1	116763-				
10	6213-619-003-00	SCREW/WATER PUMP	*	3	116763-				
11	6213-619-002-00	PIPE/WATER PUMP	*	2	116763-				
12	6213-614-003-10	GASKET/WATER PUMP	*	1	116763-				
13	V231-360-804-50	FLANGE BOLT	*	1	116763-				
14	3817-401-001-00	NUT/M08	*	2	116763-				
15	6213-619-005-00	SPACER, WATER PUMP	*	1	116763-				
16	6213-614-006-10	GASKET/SPACER	*	1	116763-				
17	6209-300-002-00	STUD	*	2	116763-				
18	V231-360-802-00	FLANGE BOLT	*	1	116763-				
19	3817-401-001-00	NUT/M08	*	1	116763-				
20	6213-729-013-10	HOSE/RUBBER	*	1	116763-				
21	J061-210-015-00	CLAMP/WIRE/10-15	*	2	-198868				
21A	J062-138-148-00	CLIP/HOSE/13.8-14.8	*	2	-198888				
21B	J061-210-015-00	CLAMP/WIRE/10-15	*	2	198889-				
22	6213-716-001-40	HOUSING/THERMOSTAT	*	1	-207142				
22A	6213-716-001-50	HOUSING/THERMOSTAT	*	1	207143-		1		
23	6213-721-003-00	PIPE, PUMP HOUSING	*	1	-208007				
24	6213-743-002-10	GASKET/HOUSING	*	1	116763-				
25	V231-360-802-00	FLANGE BOLT	*	1	116763-				
26	V231-360-807-50	FLANGE BOLT	*	1	116763-				
27	6513-770-022-10	THERMOSTAT	*	1	116763-				

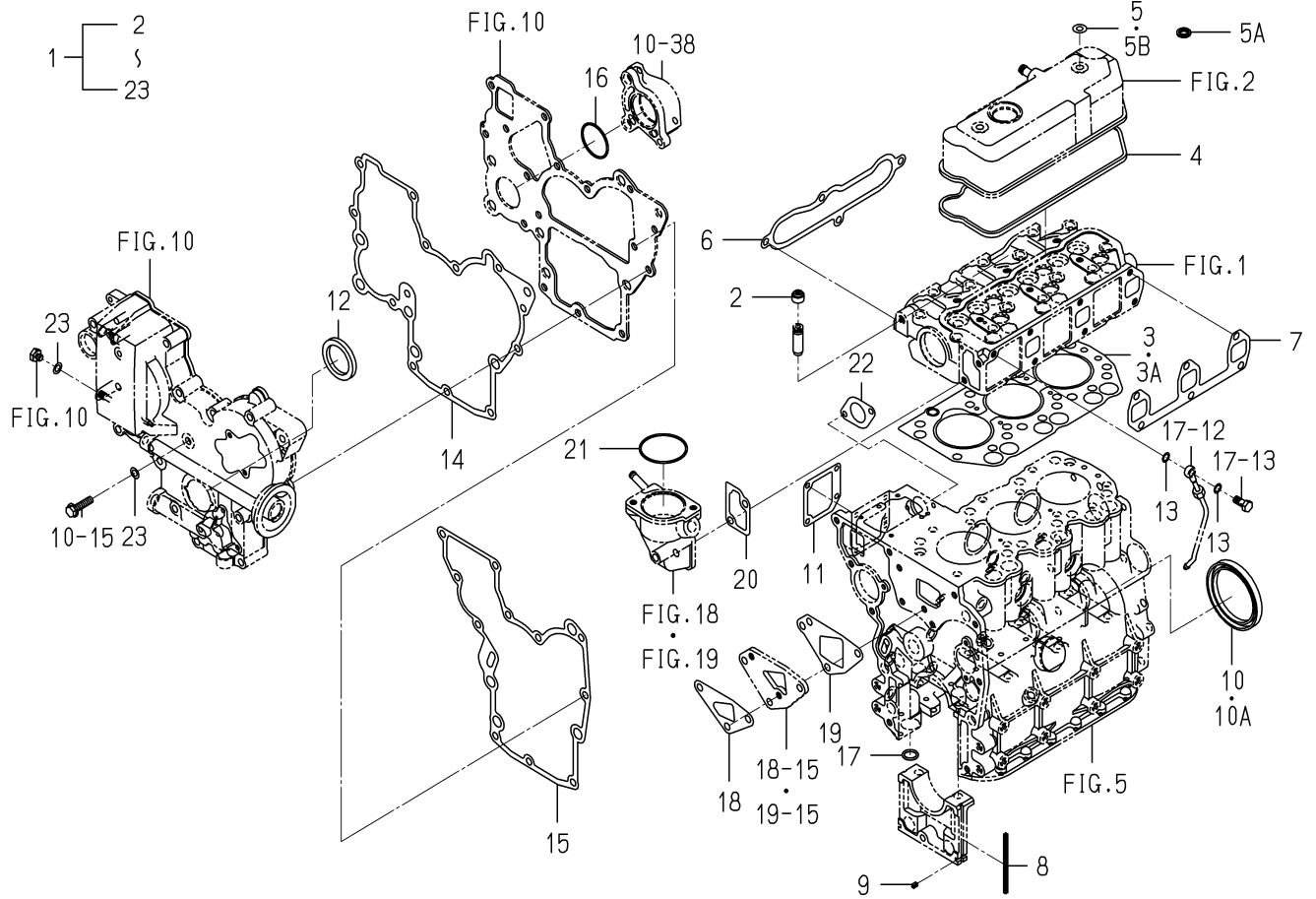
FIG. 22 INJECTION PUMP



6003-510H-0100

KEY	PART CODE	DESCRIPTION	S P C	TYPE OF MODEL		I T C	C O L	G R P	REMARKS
				E374G01					
1	6215-600-088-00	PUMP,INJECTION ASSY	*	1					FIG 032
1A	6215-600-088-10	INJECTIONPUMP ASSY	*	1		1			FIG 032
1B	6215-600-088-20	INJECTIONPUMP ASSY	*	1		1			FIG 032
2	6219-752-001-00	SHIM/INJECTION P/0.3	*	1					
2A	6219-752-041-00	SHIM/INJECTIONPUMP	*	1					
3	6219-752-002-00	SHIM/INJECTION P/0.1	*	1					
4	6219-752-003-00	SHIM/INJECTION P/0.2	*	1					
4A	6219-752-040-00	SHIM/INJECTIONPUMP	*	1					
5	6219-752-004-00	SHIM/INJECTION P/0.4	*	1					
5A	6219-752-042-00	SHIM/INJECTIONPUMP	*	1					
6	6219-752-005-00	SHIM/INJECTION P/0.5	*	1					
6A	6219-752-043-00	SHIM/INJECTIONPUMP	*	1					
7	6209-056-001-00	BOLT/M6X18	*	4					
8	6215-621-006-10	SHAFT,CAM/INJ.PUMP	*	1					
8A	6215-621-006-20	CAMSHAFT/INJPUMP	*	1		1			
9	6212-524-002-00	GEAR,INJ PUMP	*	1					
9A	6212-524-002-10	GEAR/INJECTIONPUMP	*	1		1			
9B	6212-524-002-20	GEAR/INJECTIONPUMP	*	1		1			
10	6908-000-716-00	KEY	*	1					
10A	6209-730-005-00	KEY/07X05X09	*	1					
11	V600-110-620-30	BEARING,RB/6203	*	1					
12	V600-110-600-40	BEARING,RB/6004	*	1					
13	6212-535-002-00	PLATE,THRUST INJPUMP	*	1					
14	6901-910-612-00	BOLT,SEMS/M6X12	*	1					
15	6215-520-001-00	FLYWEIGHT	*	1					
16	6209-030-043-00	BOLT/M6X10	*	3					
17	6215-526-001-10	PIECE,THRUST	*	1					
17A	6215-526-004-00	THRUSTPIECE	*	1					
18	6215-541-001-00	ARM,FLOATING	*	1					
18A	6215-541-001-10	ARM/FLOATING COMP	*	1		1			

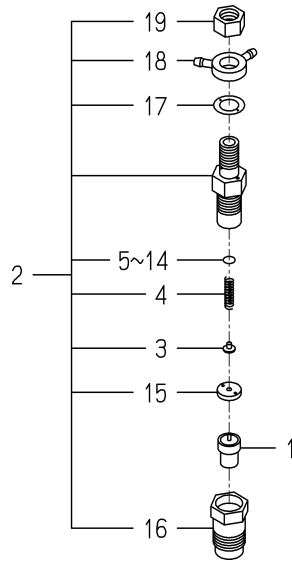
FIG. 28 REPAIR PARTS (OPTION)



6003-999 -0100

KEY	PART CODE	DESCRIPTION	S P C	TYPE OF MODEL		I T C	C O L	G R P	REMARKS
				E374G01					
1	6287-810-004-30	REPAIR/ENGINE SET	R	1		1			
2	6212-569-002-00	SEAL,OIL	R	6					
3	6211-141-007-30	GASKET/CYLINDERHEAD	R	1	-186096				
3A	6211-141-007-40	GASKET/CYLINDERHEAD	R	1	186097-	1			
4	6211-173-003-00	SEAL,CYL.HEAD COVER	R	1					
5	6909-572-008-00	PACKING	R	2	-204834				
5A	6209-572-002-00	GASKET	R	2	-222070				
5B	6209-572-003-00	GASKET	R	2	222071-				
6	6214-115-001-20	GASKET,INLET MANIFOL	R	1					
7	6214-145-001-30	GASKET,EXH.MANIFOLD	R	1					
8	6211-258-001-00	SEAL,BEARING CAP	R	4					
9	6211-258-002-00	SEAL,BEARING CAP/7	R	2					
10	6209-625-001-00	SEAL,OIL	R	1	-187265				
10A	6209-625-012-00	OILSEAL	R	1	187266-				
11	6211-292-001-20	GASKET/COVER	R	1					
12	6209-625-002-00	SEAL,OIL	R	1					
13	6209-920-002-00	PACKING	R	2					
14	6211-312-001-30	GASKET/GEARCASE	R	1		1			
15	6211-312-002-30	GASKET/PLATE	R	1		1			
16	V723-102-004-20	O-RING	R	1					
17	V720-102-401-50	O-RING/P15	R	1					
18	6213-614-003-10	GASKET/WATER PUMP	R	1					
19	6213-614-006-10	GASKET/SPACER	R	1					
20	6213-743-002-10	GASKET/HOUSING	R	1					
21	V723-102-005-50	O-RING	R	1					
22	6209-630-002-10	GASKET	R	1					
23	6209-500-003-00	WASHER/08X14X01	R	2					

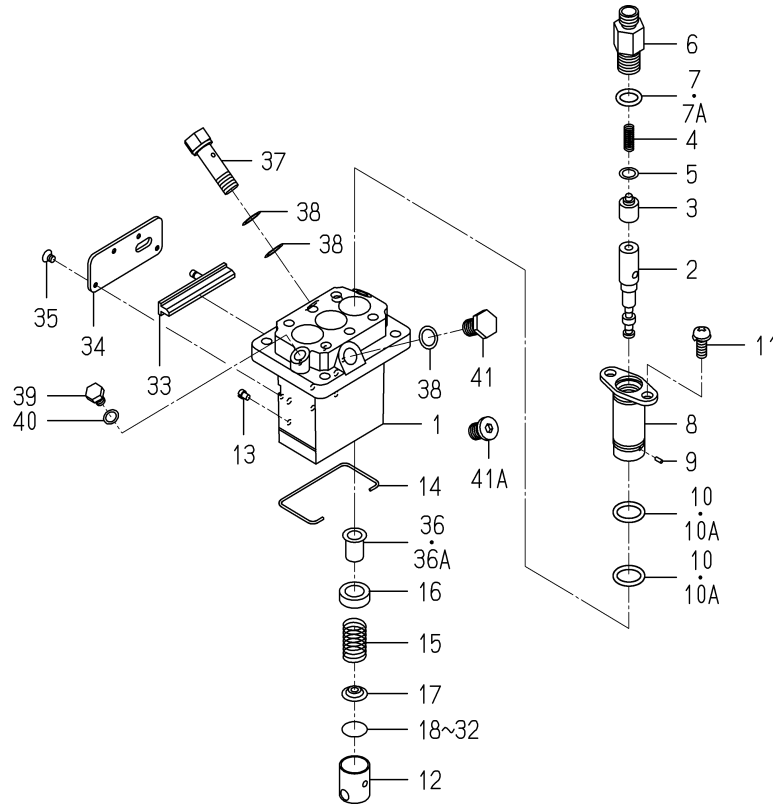
FIG. 29 COMPONENT PARTS FOR 6215-300-005-00 ON Fig.21



6215-300-005-0B

KEY	PART CODE	DESCRIPTION	S P C	TYPE OF MODEL		I T C	C O L	G R P	REMARKS
				E374G01					
1	6215-311-005-00	NOZZLE	*		3 -121372				
2	6215-330-007-00	HOLDER,NOZZLE ASSY	*		3 -121372				
3	6215-342-002-00	SPRINGSEAT	*		3 -121372				
4	6215-343-002-00	SPRING,NOZZLE	*		3 -121372				
5	6215-345-044-00	SHIM/0.10	*		3 -121372				
6	6215-345-045-00	SHIM/0.20	*		3 -121372				
7	6215-345-046-00	SHIM/0.30	*		3 -121372				
8	6215-345-047-00	SHIM/0.40	*		3 -121372				
9	6215-345-048-00	SHIM/0.50	*		3 -121372				
10	6215-345-049-00	SHIM/0.52	*		3 -121372				
11	6215-345-050-00	SHIM/0.54	*		3 -121372				
12	6215-345-051-00	SHIM/0.56	*		3 -121372				
13	6215-345-052-00	SHIM/0.58	*		3 -121372				
14	6215-345-053-00	SHIM/0.80	*		3 -121372				
15	6215-339-002-00	SPACER	*		3 -121372				
16	6215-332-002-00	NUT,RETAINING	*		3 -121372				
17	6215-359-003-00	GASKET	*		3 -121372				
18	6215-355-003-00	EYE	*		3 -121372				
19	6215-359-004-00	NUT	*		3 -121372				

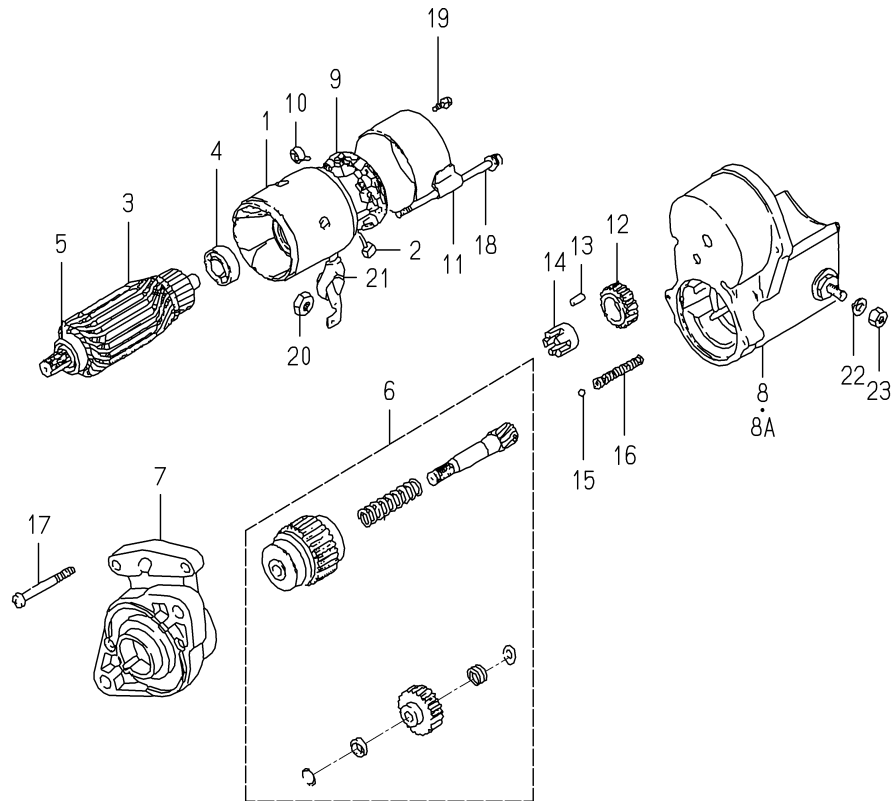
**FIG. 32 COMPONENT PARTS
FOR 6215-600-088-10 ON Fig.22**



6215-600-088-1E

KEY	PART CODE	DESCRIPTION	S P C	TYPE OF MODEL		I T C	C O L	G R P	REMARKS
				E374G01					
1	6215-611-002-00	HOUSING,PUMP	*	1					
2	6215-631-004-00	PLUNGER ASSY	*	3					
3	6215-641-002-00	VALVE,DELIVERY	*	3					
4	6215-643-003-00	SPRING,DELIVERYVALVE	*	3					
5	6215-649-003-00	GASKET	*	3					
6	6215-644-003-00	HOLDER,DELIVERYVALVE	*	3					
7	6215-649-004-00	O-RING	*	3	-211460				
7A	6215-649-004-10	ORING	*	3	211461-	1			
8	6215-635-002-00	SLEEVE,FRANGE	*	3					
9	6215-649-005-00	PIN	*	3					
10	6215-649-006-00	O-RING	*	6	-211460				
10A	6215-649-006-10	ORING	*	6	211461-	1			
11	6215-649-007-00	SCREW	*	6					
12	6215-622-002-00	TAPPET	*	3					
13	6215-629-017-00	PIN	*	3					
14	6215-629-018-00	RING,SNAP	*	1					
15	6215-634-002-00	SPRING,PLUNGER	*	3					
16	6215-639-006-00	SEAT,SPRING	*	3					
17	6215-639-007-00	SEAT,SPRING	*	3					
18	6215-629-020-00	PLATE/T=1.80	*	1					
19	6215-629-021-00	PLATE/T=1.85	*	1					
20	6215-629-022-00	PLATE/T=1.90	*	1					
21	6215-629-023-00	PLATE/T=1.95	*	1					
22	6215-629-024-00	PLATE/T=2.00	*	1					
23	6215-629-025-00	PLATE/T=2.05	*	1					
24	6215-629-026-00	PLATE/T=2.10	*	1					
25	6215-629-027-00	PLATE/T=2.15	*	1					
26	6215-629-028-00	PLATE/T=2.20	*	1					
27	6215-629-029-00	PLATE/T=2.25	*	1					
28	6215-629-030-00	PLATE/T=2.30	*	1					

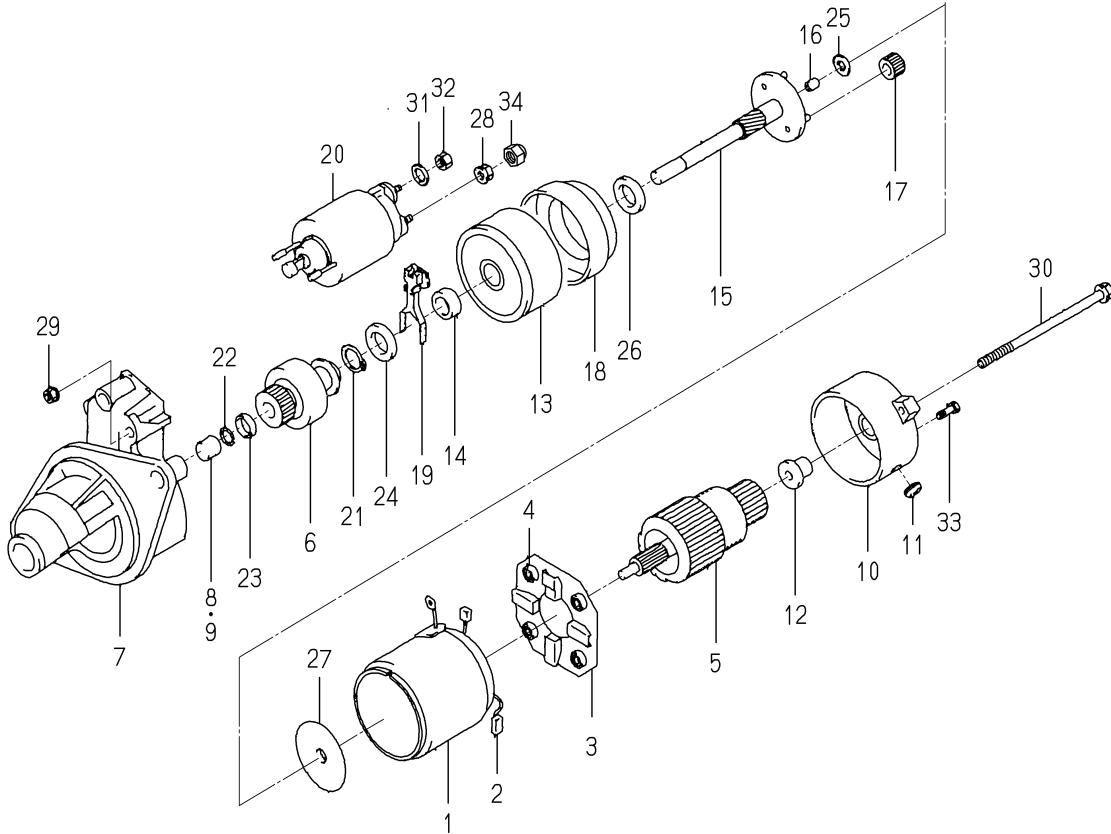
**FIG. 33 COMPONENT PARTS
FOR 6281-100-003-10 ON Fig.25**



6281-100-003-1D

KEY	PART CODE	DESCRIPTION	S P C	TYPE OF MODEL		I T C	C O L	G R P	REMARKS
				E374G01					
1	6281-111-002-00	YOKE/STARTER	*	1					
2	6281-116-002-00	STARTER KIT	*	2					
3	6281-121-003-00	ARMATURE	*	1					
4	6281-129-010-00	BEARING,BALL	*	1					
5	6281-129-011-00	BEARING,BALL	*	1					
6	6281-124-001-00	STARTER KIT	*	1					
7	6281-129-007-00	HOUSING/STARTER ASSY	*	1					
8	6281-151-004-00	SWITCH/STARTER ASSY	*	1					
8A	6281-151-004-10	SWITCH/STARTER ASSY	*	1		1			
9	6281-118-001-00	HOLDER ASSY	*	1					
10	6581-117-007-00	SPRING,BRUSH	*	4					
11	6281-115-004-00	FRAME/STARTER END	*	1					
12	6581-123-011-00	PINION,STARTER	*	1					
13	6581-129-099-00	RORA	*	5					
14	6581-129-100-00	RETAINER	*	1					
15	6581-129-092-00	BALL	*	1					
16	6581-129-096-00	SPRING	*	1					
17	6281-129-006-00	SCREW	*	2					
18	6281-129-008-00	BOLT/WS	*	2					
19	6281-129-009-00	SCREW/WS	*	2					
20	6909-111-508-00	NUT	*	1					
21	6281-129-019-00	CAP/RABBER	*	4					
22	6909-150-508-00	WASHER	*	1					
23	6909-110-408-00	NUT/M8	*	1					

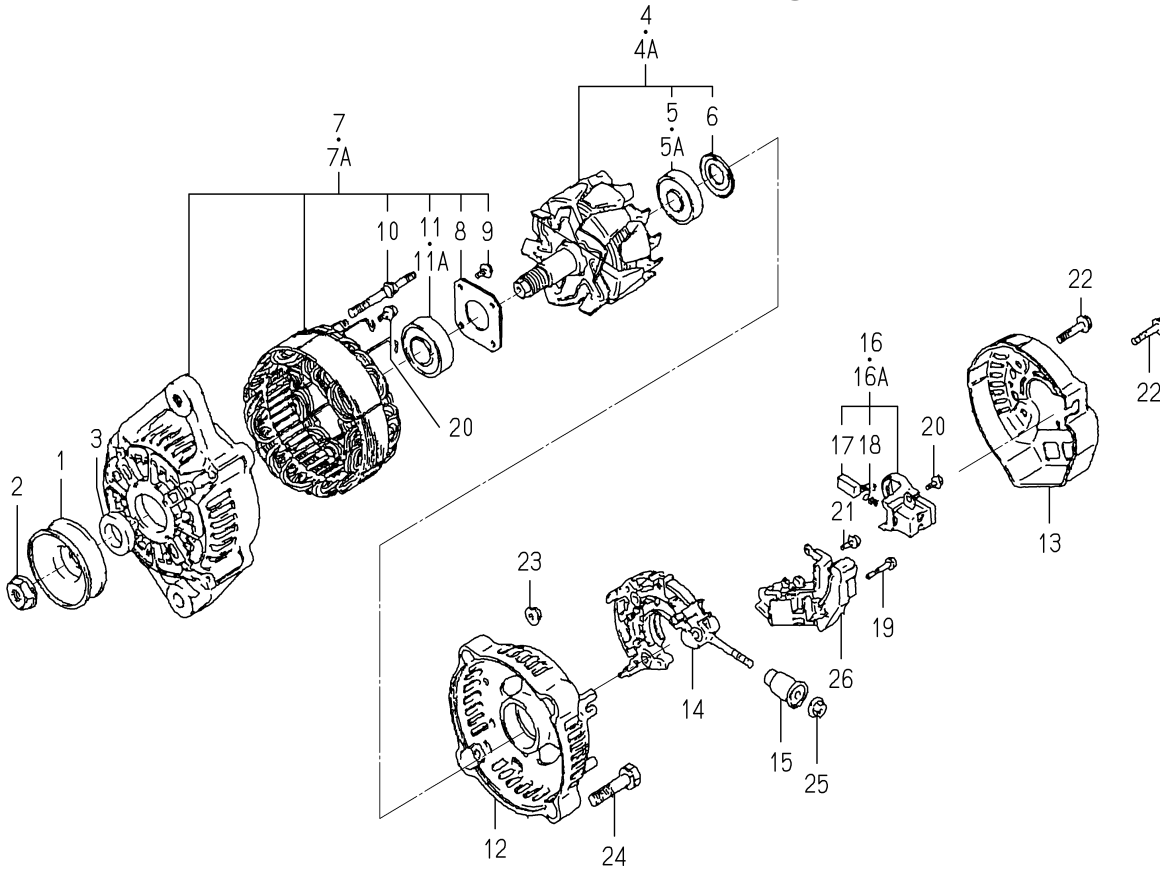
**FIG. 34 COMPONENT PARTS
FOR 6251-100-014-00 ON Fig.26**



6281-100-014-0A

KEY	PART CODE	DESCRIPTION	S P C	TYPE OF MODEL		I T C	C O L	G R P	REMARKS
				E374G01					
1	6281-111-009-00	YOKE/STARTER ASSY	*	1	208658-				
2	6281-119-009-00	BRUSH/STARTER	*	2	208658-				
3	6281-118-007-00	HOLDER/STARTER ASSY	*	1	208658-				
4	6281-117-003-00	SPRING/STARTERBRUSH	*	4	208658-				
5	6281-121-010-00	ARMATURE/STARTE ASSY	*	1	208658-				
6	6281-124-011-00	CLUTCH/STARTER ASSY	*	1	208658-				
7	6281-129-064-00	HOUSING/STARTER ASSY	*	1	208658-				
8	6281-129-080-00	BEARING/NEEDLE	*	1	208658-				
9	6281-129-058-00	BEARING/NEEDLE	*	1	208658-				
10	6281-115-017-00	FRAME/COMMUTATOR END	*	1	208658-				
11	6281-115-018-00	COVER	*	1	208658-				
12	6281-129-065-00	BEARING/OILLESS	*	1	208658-				
13	6281-129-066-00	BEARING/WITH SHOCKAB	*	1	208658-				
14	6281-129-067-00	BEARING/OILLESS	*	1	208658-				
15	6281-129-068-00	SHAFT/STARTER PLANET	*	1	208658-				
16	6281-129-069-00	BEARING/OILLESS	*	1	208658-				
17	6281-129-070-00	GEAR/STARTER PLANETA	*	3	208658-				
18	6281-129-071-00	GEAR/STARTERINTERNAL	*	1	208658-				
19	6281-127-003-00	LEVER/PINIONDRIVE	*	1	208658-				
20	6281-151-014-00	SWITCH/MAGNETIC ASSY	*	1	208658-				
21	6281-129-072-00	RING/SNAP	*	1	208658-				
22	6281-129-073-00	RING/SNAP	*	1	208658-				
23	6281-129-074-00	NUT/PINIONSTOP	*	1	208658-				
24	6281-129-075-00	WASHER/SK	*	1	208658-				
25	6281-129-076-00	WASHER/SK	*	1	208658-				
26	6281-129-077-00	WASHER/SK	*	1	208658-				
27	6281-129-078-00	PLATE	*	1	208658-				
28	6281-129-030-00	NUT	*	1	208658-				
29	6281-129-029-00	NUT	*	2	208658-				
30	6281-129-043-00	BOLT/THROUGH	*	2	208658-				

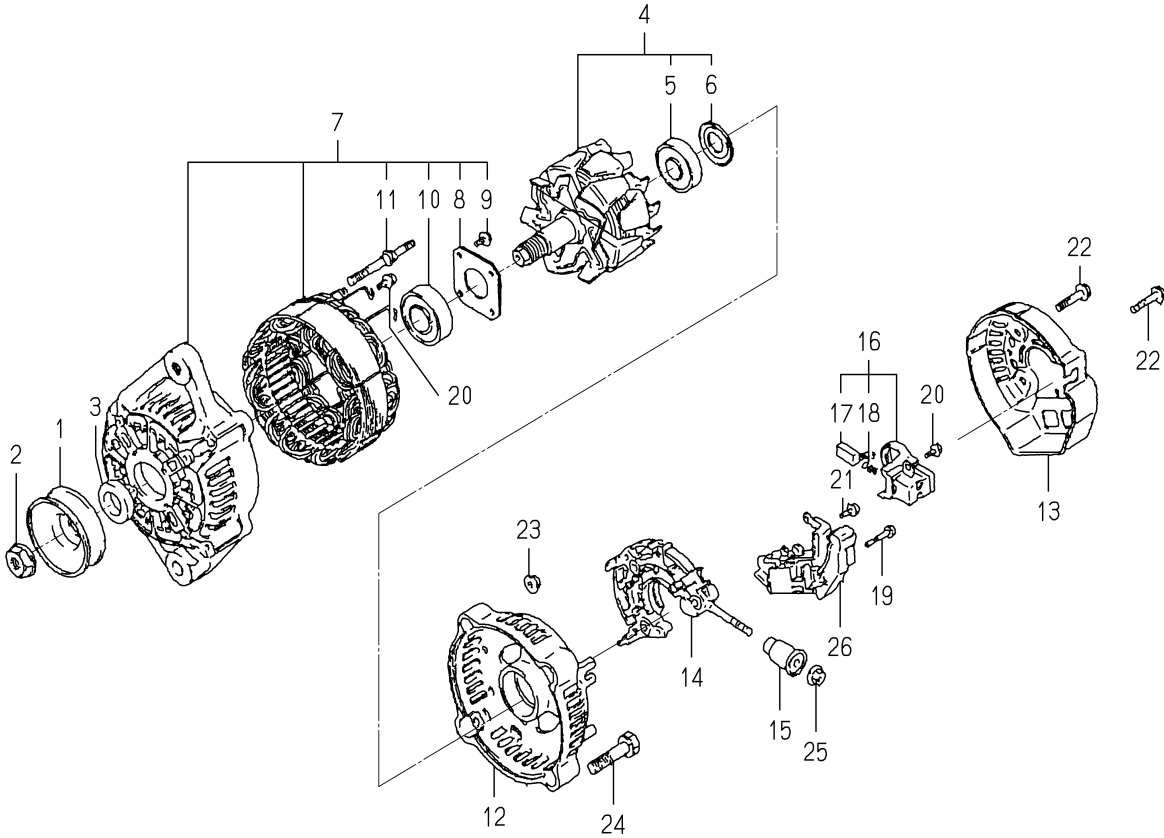
**FIG. 35 COMPONENT PARTS
FOR 6281-200-007-00 ON Fig.25,26**



6281-200-005-0B

KEY	PART CODE	DESCRIPTION	S P C	TYPE OF MODEL		I T C	C O L	G R P	REMARKS
				E374G01					
1	6281-222-004-00	PULLEY	*	1	130377-				
2	6281-229-002-00	NUT	*	1	130377-				
3	6281-229-003-00	COLLOR	*	1	130377-				
4	6281-221-001-00	ROTOR ASSY	*	1	-186338				
4A	6281-221-007-00	ROTOR ASSY	*	1	186339-				
5	6281-229-005-00	BEARING	*	1	-186338				
5A	6281-229-004-00	COVER,BEARING	*	1	130377-				
6	6281-229-032-00	BEARING/BALL	*	1	186339-				
7	6281-213-006-00	FRAME ASSY	*	1	-186338				
7A	6281-213-018-00	FRAME/DRIVEEND ASSY	*	1	186339-				
8	6281-229-006-00	PLATE	*	1	130377-				
9	6281-229-007-00	BOLT	*	4	130377-				
10	6281-229-008-00	BOLT	*	2	130377-				
11	6281-229-009-00	BEARING	*	1	-186338				
11A	6281-229-033-00	BEARING/BALL	*	1	186339-				
12	6281-214-003-00	FRAME	*	1	130377-				
13	6281-214-004-00	COVER	*	1	130377-				
14	6281-229-029-00	HOLDER ASSY	*	1	130377-				
15	6281-229-011-00	BUSH	*	1	130377-				
16	6281-217-001-00	HOLDER,BRUSH ASSY	*	1	-186338				
16A	6281-217-002-00	HOLDER/BRUSH ASSY	*	1	186339-				
17	6281-215-001-00	BRUSH	*	2	130377-				
18	6281-216-001-00	SPRING	*	2	130377-				
19	6281-229-012-00	BOLT	*	2	130377-				
20	6281-229-013-00	BOLT	*	6	130377-				
21	6281-229-014-00	BOLT	*	1	130377-				
22	6281-229-015-00	BOLT	*	3	130377-				
23	6281-229-016-00	NUT	*	2	130377-				
24	6281-229-017-00	BOLT	*	2	130377-				
25	6281-229-018-00	NUT	*	1	130377-				

**FIG. 36 COMPONENT PARTS
FOR 6281-200-016-00 ON Fig.25**

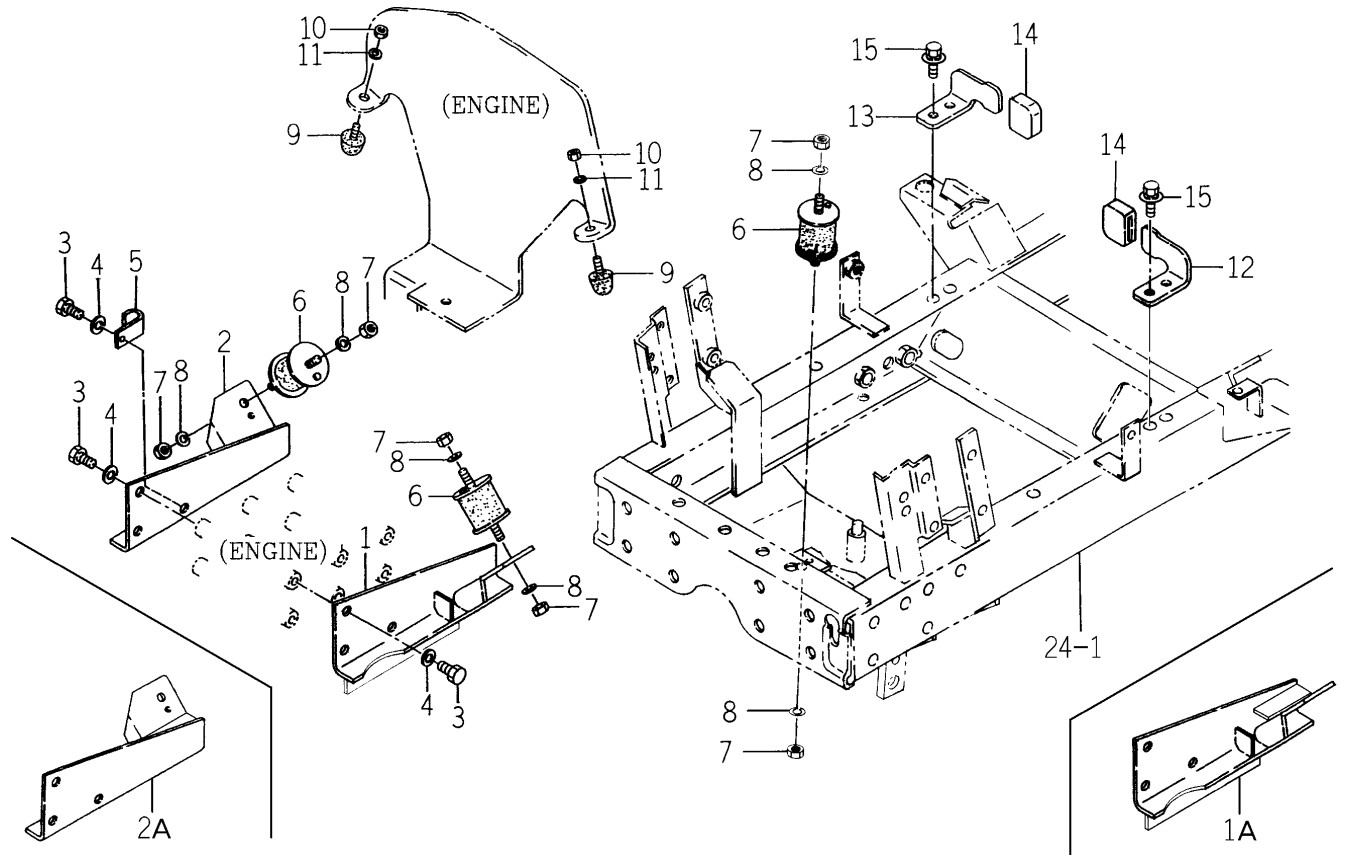


6281-200-016-0C

KEY	PART CODE	DESCRIPTION	S P C	TYPE OF MODEL		I T C	C O L	G R P	REMARKS
				E374G01					
1	6281-222-004-00	PULLEY	*	1	-130376				
2	6281-229-002-00	NUT	*	1	-130376				
3	6281-229-003-00	COLLOR	*	1	-130376				
4	6281-221-001-00	ROTOR ASSY	*	1	-130376				
5	6281-229-005-00	BEARING	*	1	-130376				
6	6281-229-004-00	COVER,BEARING	*	1	-130376				
7	6281-213-003-00	FRAME,DRIVE END ASSY	*	1	-130376				
8	6281-229-006-00	PLATE	*	1	-130376				
9	6281-229-007-00	BOLT	*	4	-130376				
10	6281-229-009-00	BEARING	*	1	-130376				
11	6281-229-008-00	BOLT	*	2	-130376				
12	6281-214-003-00	FRAME	*	1	-130376				
13	6281-214-004-00	COVER	*	1	-130376				
14	6281-229-010-00	HOLDER ASSY	*	1	-130376				
15	6281-229-011-00	BUSH	*	1	-130376				
16	6281-217-001-00	HOLDER,BRUSH ASSY	*	1	-130376				
17	6281-215-001-00	BRUSH	*	2	-130376				
18	6281-216-001-00	SPRING	*	2	-130376				
19	6281-229-012-00	BOLT	*	2	-130376				
20	6281-229-013-00	BOLT	*	6	-130376				
21	6281-229-014-00	BOLT	*	1	-130376				
22	6281-229-015-00	BOLT	*	3	-130376				
23	6281-229-016-00	NUT	*	2	-130376				
24	6281-229-017-00	BOLT	*	2	-130376				
25	6281-229-018-00	NUT	*	1	-130376				
26	6281-271-002-00	REGULATOR ASSY	*	1	-130376				

CHASSIS

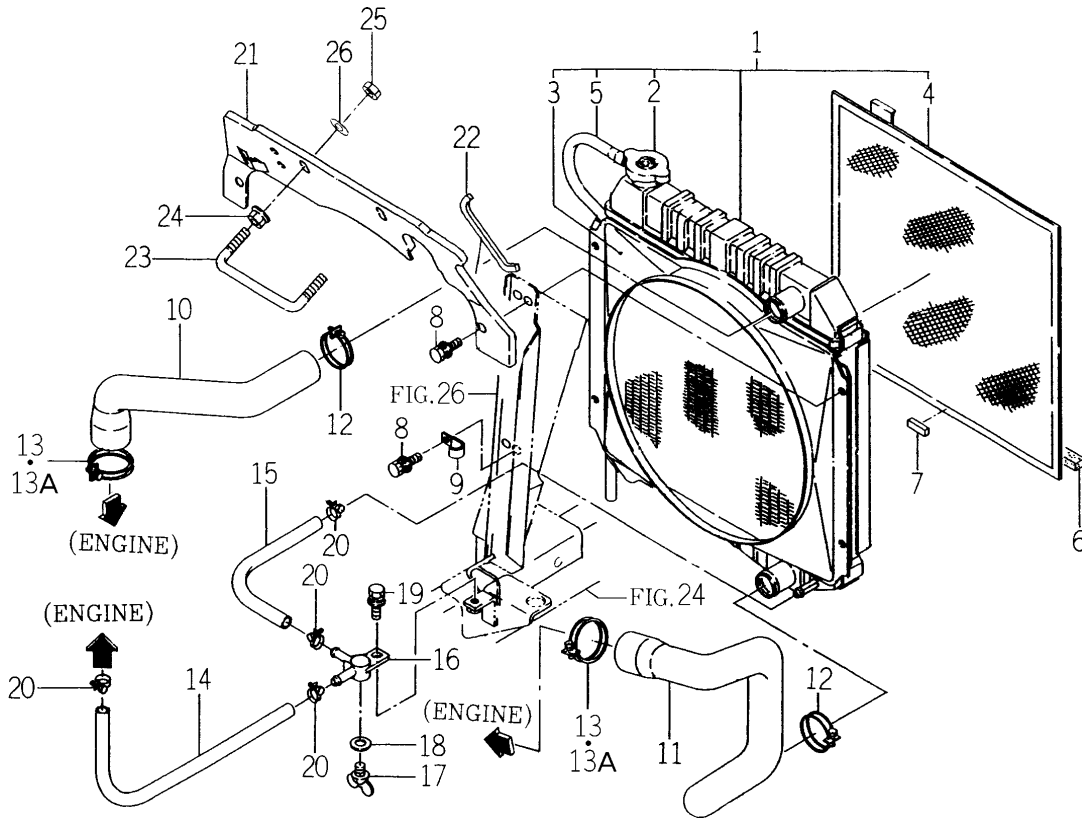
CHASSIS



1631-101-0100

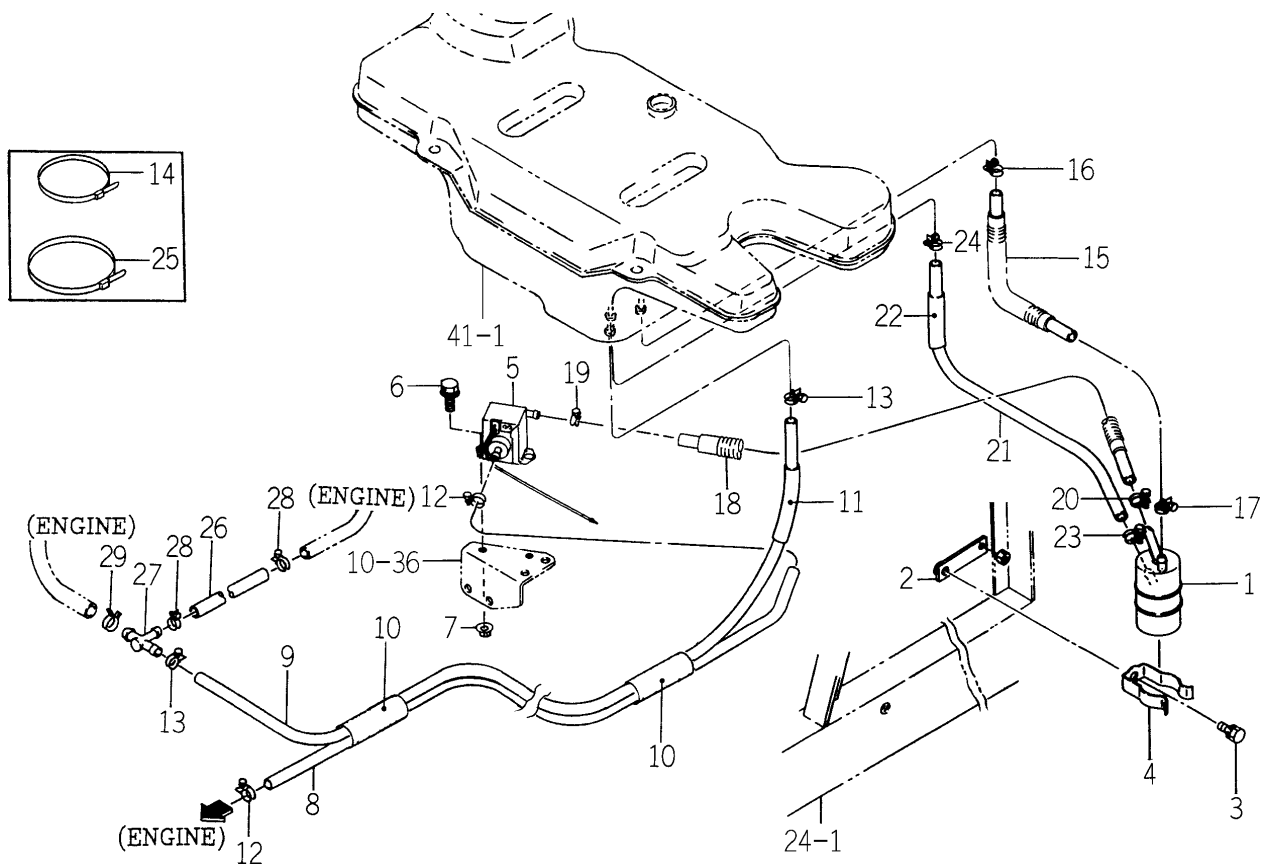
KEY	PART CODE	DESCRIPTION	S P C	TYPE OF MODEL	I T C	C O L	G R P	REMARKS
				SG173H				
1	1631-101-210-00	BLACKET/ENGINE/LH	*	1 -301350				
1A	1631-101-210-10	BLACKET/ENGINE/LH	*	1 301351-	1			
2	1593-101-220-40	BRACKET,ENGINE/RH	*	1 -301350				
2A	1593-101-220-50	BRACKET/ENGINE/RH	*	1 301351-	1			
3	V203-461-002-00	BOLT/M10X1.25X20	*	6				
4	V401-160-010-00	WASHER,SP/M10	*	6				
5	3737-172-011-00	CLAMP,HARNESS	*	1				
6	1593-101-003-20	INSULATOR	*	3				
7	V304-260-008-00	NUT	*	6				
8	V401-160-008-00	WASHER,SP/M 8	*	6				
9	3631-221-001-00	CUSHION,PEDAL/RUBBER	*	2				
10	V301-260-006-00	NUT/M 6	*	2				
11	V401-160-006-00	WASHER,SP/M 6	*	2				
12	1593-101-009-10	GUIDE/LH ENGINE	*	1				
13	1593-101-011-10	GUIDE/RH ENGINE	*	1				
14	1593-101-012-00	STOPPER	*	2				
15	V211-360-802-50	BOLT/SP	*	4				

FIG. 2 RADIATOR SYSTEM



1593-102A-0100

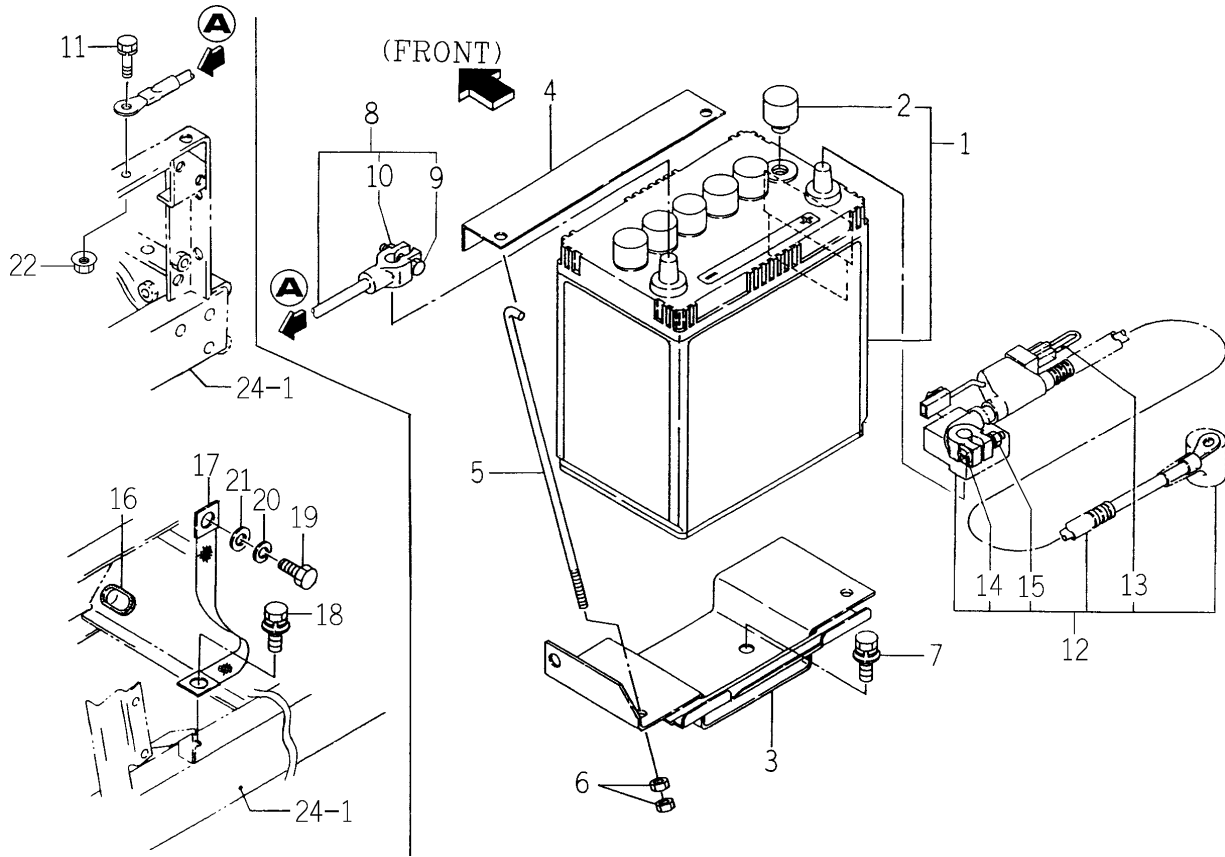
KEY	PART CODE	DESCRIPTION	S P C	TYPE OF MODEL		I T C	C O L	G R P	REMARKS
				SG173H					
1	1593-102-500-10	RADIATOR ASSY	*	1					
2	1593-102-502-00	CAP	*	1					
3	1593-102-503-00	SHRUOD, FAN	*	1					
4	1593-102-504-00	PROTECTOR, FRONT	*	1					
5	1593-102-505-00	HOSE, VINYL	*	1					
6	1593-102-005-30	SEAL (10X10X340)	*	1					
7	1593-102-011-00	SEAL (10X05X27)	*	1					
8	V211-360-802-00	BOLT/SP	*	4					
9	1425-621-004-00	HOLDER/JE/9-9	*	1					
10	1593-102-001-10	HOSE, RADIATOR/UP	*	1					
11	1593-102-002-10	HOSE, RADIATOR/LW	*	1					
12	J061-232-040-00	CLAMP/WIRE/32-40	*	2					
13	J061-238-046-00	CLAMP/WIRE/38-46	*	2	-300963				
13A	J061-236-044-00	CLAMP/WIRE/36-44	*	2	300964-				
14	1593-102-003-20	HOSE/270	*	1					
15	1593-102-004-20	HOSE/210	*	1					
16	1560-104-010-40	CONNECTOR	*	1					
17	1424-101-203-00	PLUG	*	1					
18	1424-101-204-00	PACKING	*	1					
19	V211-360-802-00	BOLT/SP	*	1					
20	J061-210-015-00	CLAMP/WIRE/10-15	*	4					
21	1593-102-006-50	PANEL/RADIATOR	*	1					
22	1593-102-012-00	SEAL (10X05X130)	*	1					
23	1593-102-009-10	HOOK, RADIATOR PANEL	*	1					
24	V363-260-010-00	NUT/M10	*	2					
25	V304-260-010-00	NUT	*	2					
26	V411-260-010-00	WASHER/M10	*	2					



1631-105-0100

KEY	PART CODE	DESCRIPTION	S P C	TYPE OF MODEL		I T C	C O L	G R P	REMARKS
				SG173H					
1	6213-200-002-10	FILTER,FUEL	*	1					
2	1608-105-230-00	PLATE/I/19X85 COMP	*	1					
3	V211-260-801-60	BOLT,SEMS (S) M8X16	*	1					
4	6219-755-001-00	HOLDER(FUEL FILTER)	*	1					
5	1588-105-210-00	PUMP,FUEL	*	1					
6	V210-360-601-60	BOLT(SP)/M6X16	*	2					
7	V360-260-006-00	NUT/M6	*	2					
8	1631-105-202-00	HOSE/1220	*	1					
9	1631-105-201-10	HOSE/1800	*	1					
10	1593-105-213-10	PROTECTOR	*	2					
11	1608-105-241-00	PROTECTOR/250	*	1					
12	J061-210-012-00	CLAMP/WIRE/10-12	*	2					
13	J061-211-013-00	CLAMP/WIRE/11-13	*	2					
14	1342-402-006-00	BAND,WIRE/250	*	1					
15	1427-111-006-00	HOSE/270 ASSY	*	1					
16	J061-210-012-00	CLAMP/WIRE/10-12	*	1					
17	J061-209-011-00	CLAMP/WIRE/09-11	*	1					
18	1427-111-006-00	HOSE/270 ASSY	*	1					
19	J061-210-012-00	CLAMP/WIRE/10-12	*	1					
20	J061-209-011-00	CLAMP/WIRE/09-11	*	1					
21	2502-105-002-00	HOSE/350	*	1					
22	1608-105-241-00	PROTECTOR/250	*	1					
23	J061-210-012-00	CLAMP/WIRE/10-12	*	1					
24	J061-211-013-00	CLAMP/WIRE/11-13	*	1					
25	3737-172-010-00	BAND/202	*	1					
26	3659-310-004-00	HOSE/07X13X120	*	1					
27	3643-586-001-00	JOINTT-TYPE	*	1					
28	J061-210-012-00	CLAMP/WIRE/10-12	*	2					
29	J062-081-087-00	CLIP/HOSE/8.1-8.7	*	1					

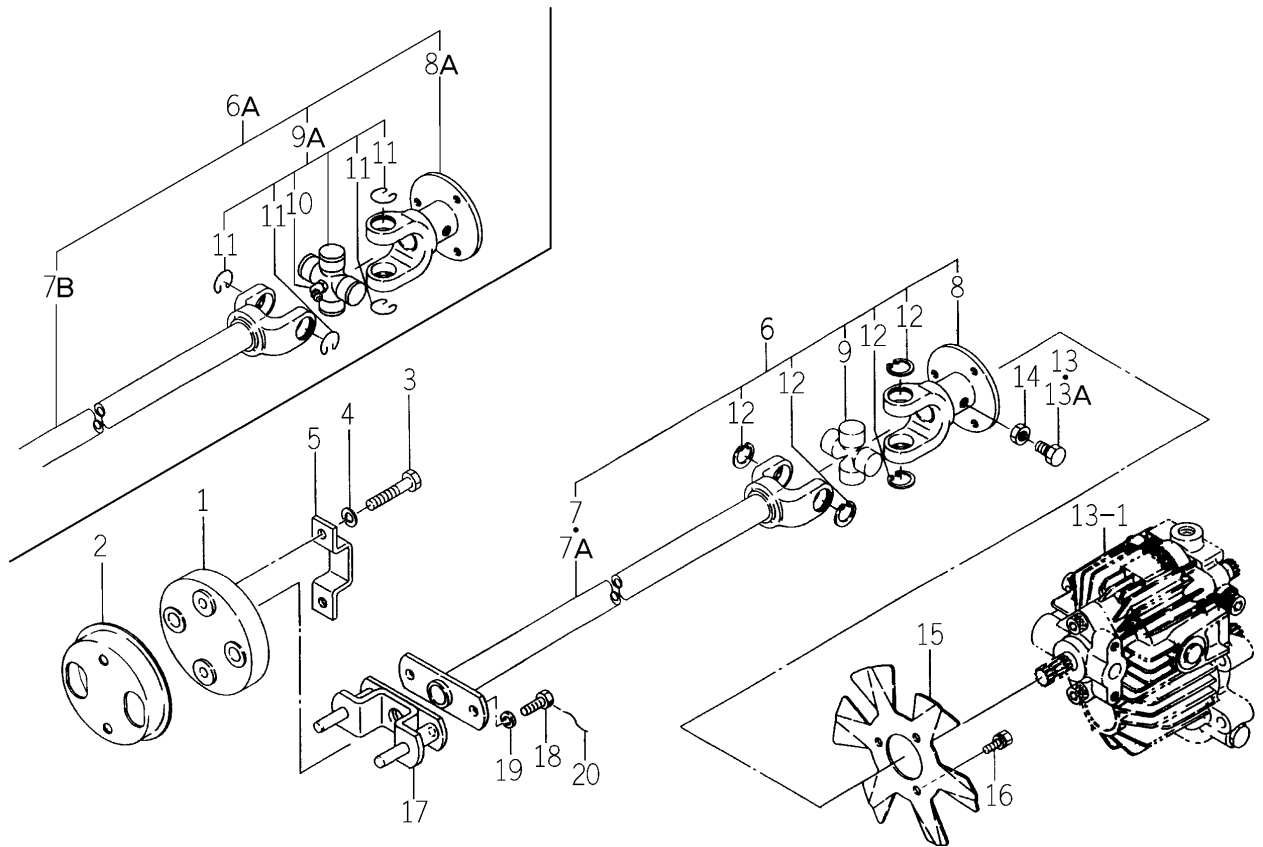
FIG. 6 BATTERY SYSTEM (EXCEPT M TYPE)



1593-112 -0100

KEY	PART CODE	DESCRIPTION	S P C	TYPE OF MODEL		I T C	C O L	G R P	REMARKS
				SG173H					
1	1593-112-200-10	BATTERY/38B20L ASSY	*	1					
2	1427-621-002-10	CAP,BATTERY	*	6					
3	1593-112-510-30	PLATE,BATTERY	*	1					
4	1593-112-051-30	HOLDER,BATTERY	*	1					
5	1593-112-002-50	BOLT,BATTERY	*	2					
6	V301-260-006-00	NUT/M 6	*	4					
7	V211-360-802-00	BOLT/SP	*	3					
8	1593-112-003-20	CABLE,EARTH	*	1					
9	1593-112-222-00	BOLT/M06X28	*	1					
10	1600-112-232-00	NUT/M06	*	1					
11	V211-260-801-60	BOLT,SEMS (S) M8X16	*	1					
12	1593-112-520-10	CABLE	*	1					
13	3652-261-202-00	LINK,FUSIBLE	*	1					
14	1600-112-231-00	BOLT/M06X32	*	1					
15	1600-112-232-00	NUT/M06	*	1					
16	1593-623-001-00	GROMMET	*	1					
17	3626-276-003-00	CABLE,WIRE	*	1					
18	V211-361-002-00	BOLT,SEMS	*	1					
19	V203-461-002-00	BOLT/M10X1.25X20	*	1					
20	V401-160-010-00	WASHER,SP/M10	*	1					
21	V411-260-010-00	WASHER/M10	*	1					
22	V363-260-008-00	NUT/WASHER	*	1					

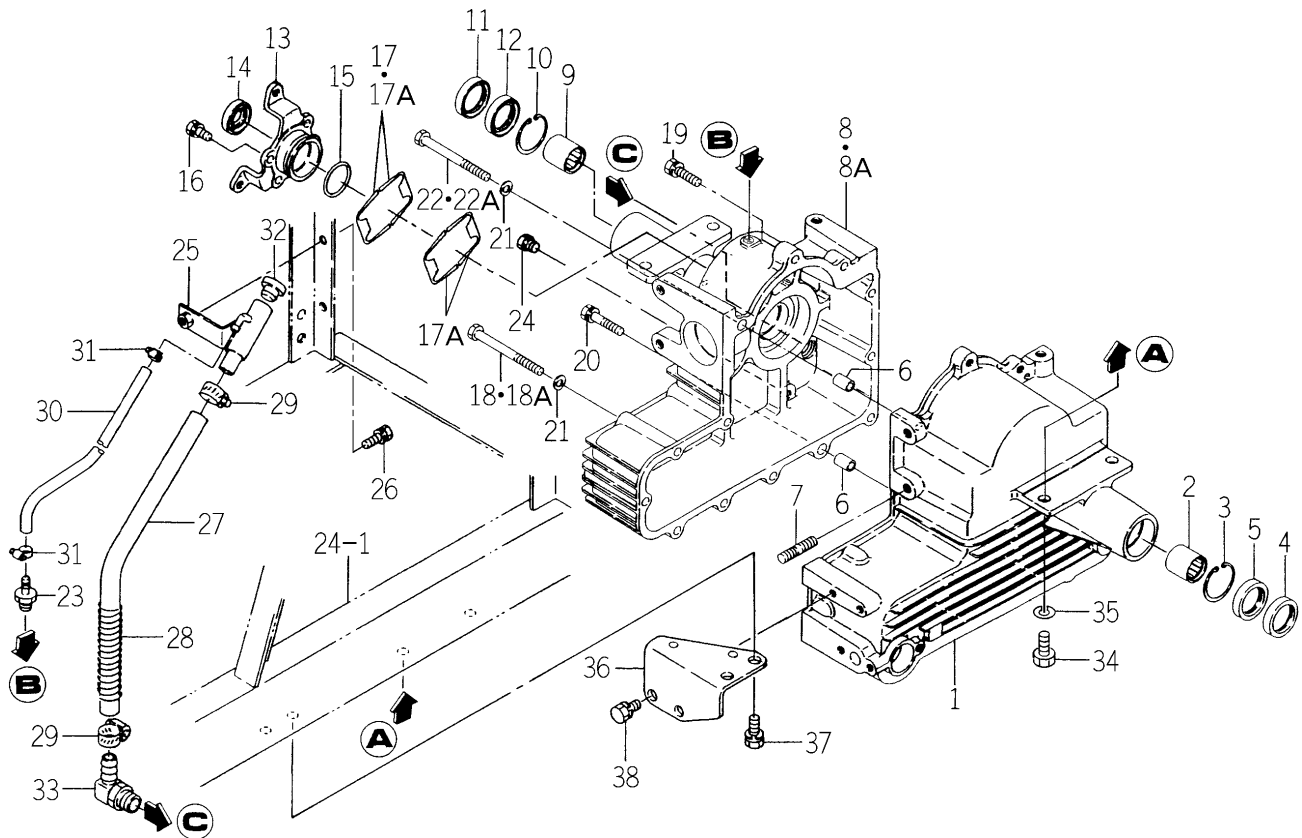
FIG. 9 DRIVE SHAFT SYSTEM



1608-122 -0100

KEY	PART CODE	DESCRIPTION	S P C	TYPE OF MODEL		I T C	C O L	G R P	REMARKS
				SG173H					
1	1593-122-051-00	COUPLING	*	1					
2	1608-122-004-00	COVER/COUPLING	*	1					
3	V201-460-804-50	BOLT/M8X45	*	2					
4	V401-160-008-00	WASHER,SP/M 8	*	2					
5	1608-122-003-00	PLATE,STOPPER	*	1					
6	1608-122-200-50	JOINT UNIVERSAL ASSY	*	1	-302656				
6A	1608-122-200-60	JOINT/UNIVERSAL ASSY	*	1	302657-		3		
7	1608-122-210-20	JOINT/HST/F COMP	*	1	-302331				
7A	1608-122-206-00	FLANGEYOKE ASSY	*	1	-302656				
7B	1608-122-206-10	FLANGEYOKE ASSY	*	1	302657-		3		
8	1608-122-220-20	JOINT/HST/R COMP	*	1	-302331				
8A	1608-122-207-00	SHAFTYOKE ASSY	*	1	302332-				
9	8592-011-204-00	JOURNAL KIT	*	1	-302331				
9A	8654-101-230-00	JOURNALCROSSE ASSY	*	1	302332-				
10	8654-101-232-00	GREASENIPPLE	*	1	302332-				
11	8654-101-233-00	SURCLIP/HOLE	*	4	302332-				
12	V705-140-020-00	RING,SNAP/20 C	*	4	-302331				
13	V201-460-802-00	BOLT/M 8X20	*	1	-302672				
13A	V201-460-802-50	BOLT/M 8X25	*	1	302673-				
14	V304-460-008-00	NUT/M8	*	1					
15	1608-122-002-10	FAN(HST)	*	1					
16	V210-260-601-20	BOLT/S	*	3					
17	1608-122-230-10	JOINT,CAP LING	*	1					
18	1416-209-005-00	BOLT	*	2					
19	V401-160-008-00	WASHER,SP/M 8	*	2					
20		WIRE	*	1					

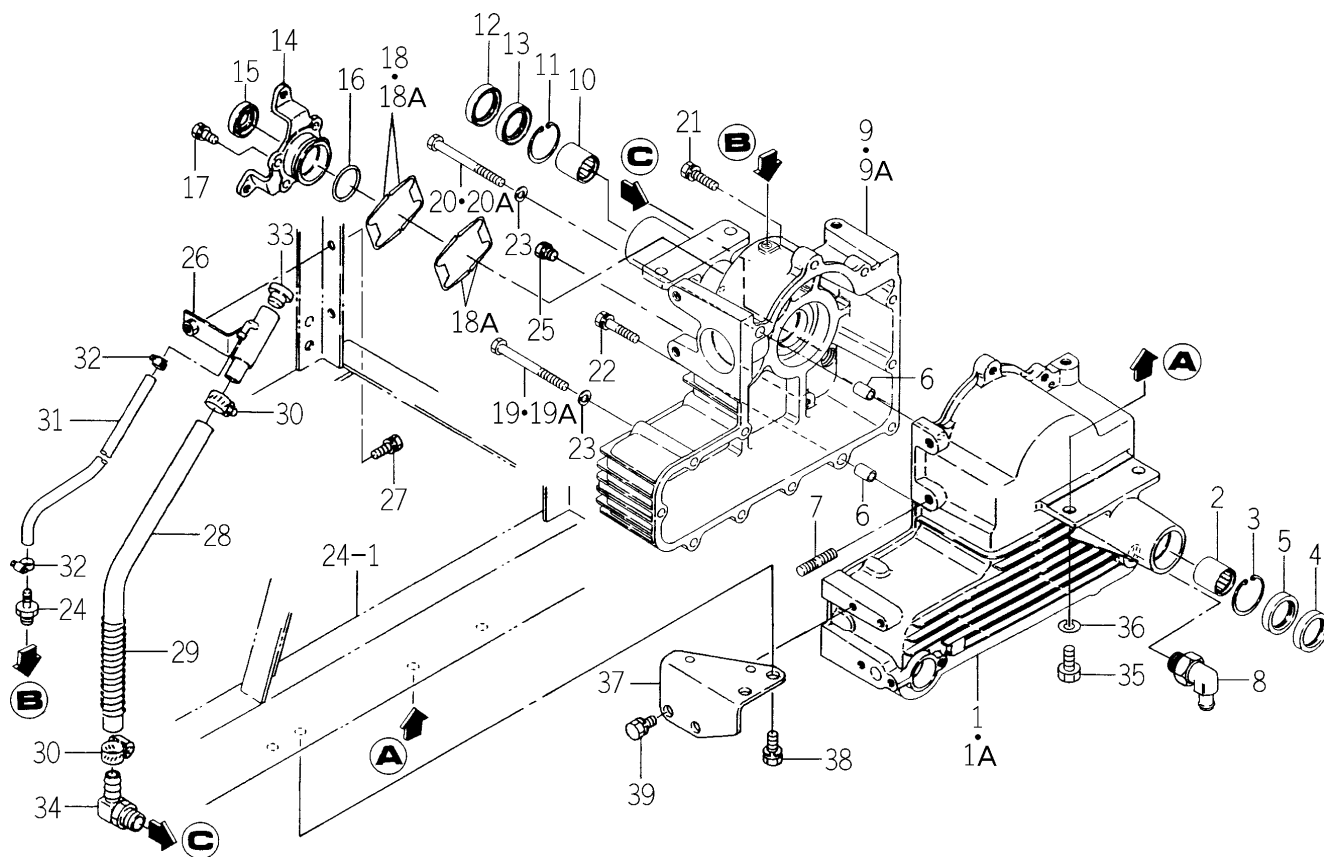
**FIG. 10 TRANSMISSION CASE SYSTEM
(EXCEPT U TYPE)**



1608-201-0100

KEY	PART CODE	DESCRIPTION	S P C	TYPE OF MODEL		I T C	C O L	G R P	REMARKS
				SG173H					
1	1608-201-001-40	CASE/TRANSMISSION LH	*	1					
2	V653-430-403-00	BEARING,NR/TA3030Z	*	1					
3	V705-140-042-00	RING,SNAP/42 C	*	1					
4	V744-130-420-80	SEAL,OIL/TC30428	*	1					
5	V740-130-420-80	SEAL,OIL	*	1					
6	3737-113-005-00	PIN,KNOCK	*	2					
7	V251-261-004-5D	BOLT/STUD/SEAL	*	1					
8	1608-201-002-30	CASE/TRANSMISSION RH	*	1					
8A	1608-201-002-40	CASE/TRANSMISSION/RH	*	1	-302502		1		
9	V653-430-403-00	BEARING,NR/TA3030Z	*	1	302503-				
10	V705-140-042-00	RING,SNAP/42 C	*	1					
11	V744-130-420-80	SEAL,OIL/TC30428	*	1					
12	V740-130-420-80	SEAL,OIL	*	1					
13	1608-201-004-20	METAL,BRAKE	*	1					
14	V744-120-350-70	SEAL,OIL/TC20357	*	1					
15	V721-103-104-50	O-RING/G45	*	1					
16	V211-260-801-60	BOLT,SEMS (S) M8X16	*	4					
17	1608-201-005-10	SHIM(BRAKE METAL)	*	2	-302645				
17A	1608-201-005-10	SHIM(BRAKE METAL)	*	4	302646-				
18	V201-260-809-50	BOLT/M 8X95	*	6	-302359				
18A	V201-260-809-50	BOLT/M 8X95	*	5	302360-				
19	V211-260-803-00	BOLT,SEMS	*	6					
20	V211-260-804-00	BOLT,SEMS	*	1					
21	V401-160-008-00	WASHER,SP/M 8	*	6					
22	V201-260-810-50	BOLT/M 8X105	*	1	-302677				
22A	V201-260-810-00	BOLT/M 8X100	*	1	302678-				
23	2137-223-004-00	ADAPTER(STRAIGHT)	*	1					
24	7955-201-026-00	PLUG,DRAIN (1/4)	*	1					
25	1608-201-200-20	PLATE,FILLER COMP	*	1					
26	V211-260-802-00	BOLT/S	*	1					

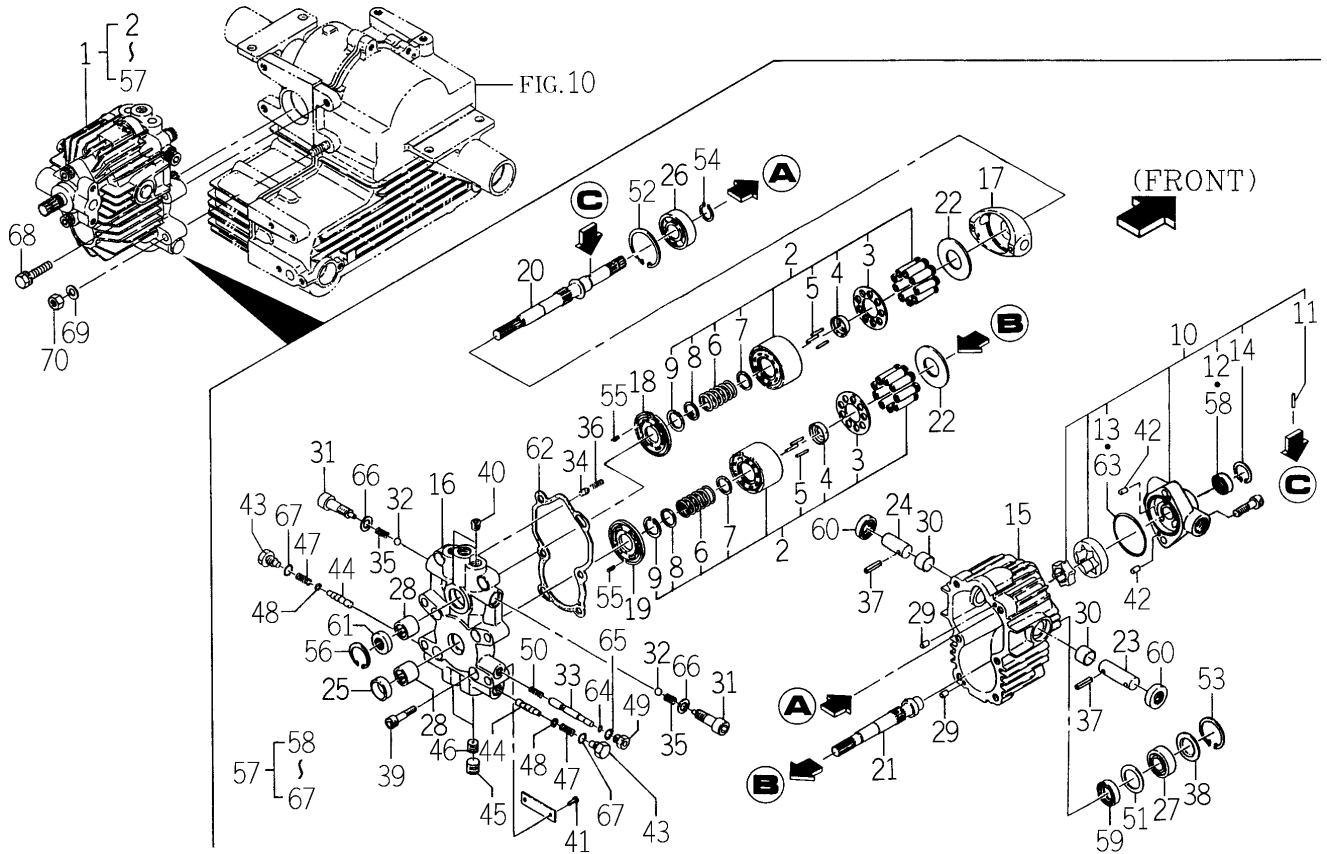
FIG. 11 TRANSMISSION CASE SYSTEM (U TYPE)



1631-201A-0100

KEY	PART CODE	DESCRIPTION	S P C	TYPE OF MODEL		I T C	C O L	G R P	REMARKS
				SG173H					
1	1631-201-001-00	CASE/TRANSMISSON LH	*	1	-302541				
1A	1631-201-001-10	CASE/TRANSMISSION/LH	*	1	302542-	1			
2	V653-430-403-00	BEARING,NR/TA3030Z	*	1					
3	V705-140-042-00	RING,SNAP/42 C	*	1					
4	V744-130-420-80	SEAL,OIL/TC30428	*	1					
5	V740-130-420-80	SEAL,OIL	*	1					
6	3737-113-005-00	PIN,KNOCK	*	2					
7	V251-261-004-5D	BOLT/STUD/SEAL	*	1					
8	3631-353-001-10	ADAPTER(LOW PRESS)	*	1					
9	1608-201-002-30	CASE/TRANSMISSION RH	*	1	-302502				
9A	1608-201-002-40	CASE/TRANSMISSION/RH	*	1	302503-	1			
10	V653-430-403-00	BEARING,NR/TA3030Z	*	1					
11	V705-140-042-00	RING,SNAP/42 C	*	1					
12	V744-130-420-80	SEAL,OIL/TC30428	*	1					
13	V740-130-420-80	SEAL,OIL	*	1					
14	1608-201-004-20	METAL,BRAKE	*	1					
15	V744-120-350-70	SEAL,OIL/TC20357	*	1					
16	V721-103-104-50	O-RING/G45	*	1					
17	V211-260-801-60	BOLT,SEMS (S) M8X16	*	4					
18	1608-201-005-10	SHIM(BRAKE METAL)	*	2	-302654				
18A	1608-201-005-10	SHIM(BRAKE METAL)	*	4	302655-				
19	V201-260-809-50	BOLT/M 8X95	*	6	-302465				
19A	V201-260-809-50	BOLT/M 8X95	*	5	302466-				
20	V201-260-810-50	BOLT/M 8X105	*	1	-302677				
20A	V201-260-810-00	BOLT/M 8X100	*	1	302678-				
21	V211-260-803-00	BOLT,SEMS	*	6					
22	V211-260-804-00	BOLT,SEMS	*	1					
23	V401-160-008-00	WASHER,SP/M 8	*	6					
24	2137-223-004-00	ADAPTER(STRAIGHT)	*	1					
25	7955-201-026-00	PLUG,DRAIN (1/4)	*	1					

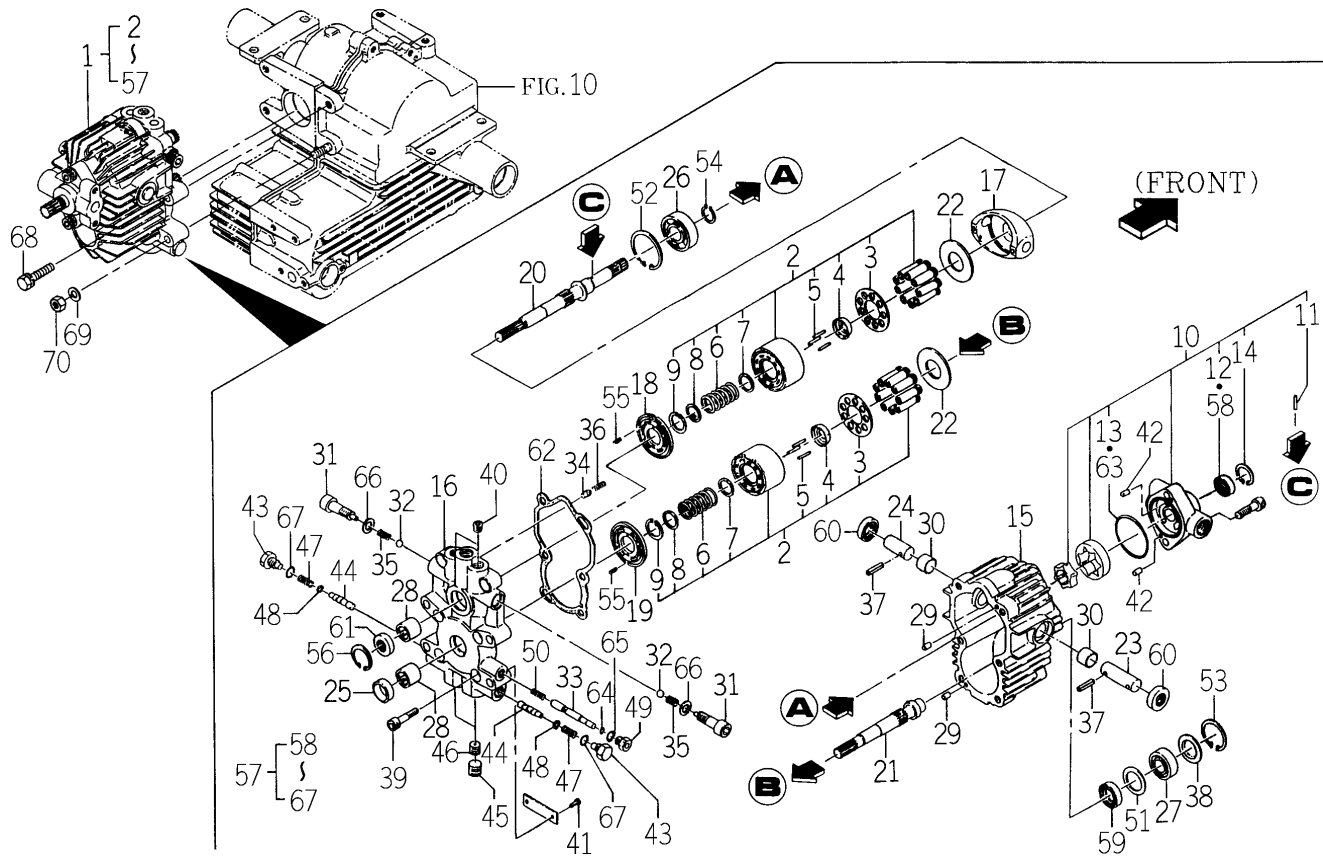
FIG. 13 HST (1) SYSTEM



1608-205-0100

KEY	PART CODE	DESCRIPTION	S P C	TYPE OF MODEL		I T C	C O L	G R P	REMARKS
				SG173H					
1	1608-205-200-10	HST ASSY	*	1					
2	1608-205-260-00	CYLINDERBLOCK ASSY	*	2					
3	1608-205-263-00	RETAINERPLATE	*	2					
4	1608-205-264-00	RETAINERHOLDER	*	2					
5	1608-205-265-00	PIN	*	6					
6	1608-205-266-00	SPRING	*	2					
7	1608-205-267-00	SPRINGHOLDER	*	2					
8	1608-205-268-00	WASHER	*	2					
9	1608-205-269-00	SNAPRING	*	2					
10	1608-205-280-00	CHARGE PUMP ASSY	*	1					
11	1608-205-283-00	PIN	*	1					
12	1608-205-284-00	SEAL,OIL	*	1					
13	1608-205-285-00	O-RING	*	1					
14	V705-140-030-00	RING,SNAP/30 C	*	1					
15	1608-205-201-00	CASE	*	1					
16	1608-205-202-00	PORTBLOCK	*	1					
17	1608-205-203-00	SLANTBOARD/P	*	1					
18	1608-205-204-00	VALVEPLATE	*	1					
19	1608-205-205-00	VALVEPLATE	*	1					
20	1608-205-206-10	SHAFT/P	*	1					
21	1608-205-207-00	SHAFT/M	*	1					
22	1608-205-208-00	THRUST PLATE	*	2					
23	1608-205-209-00	TRUNNIONPIN	*	1					
24	1608-205-211-00	TRUNNIONPIN	*	1					
25	1608-205-212-00	COLLAR	*	1					
26	1608-205-213-00	BALLBEARING	*	1					
27	1608-205-214-00	BALLBEARING	*	1					
28	1608-205-215-00	NEEDLEBEARING	*	2					
29	1608-205-216-00	PIN	*	2					
30	1608-205-217-00	BUSH	*	2					

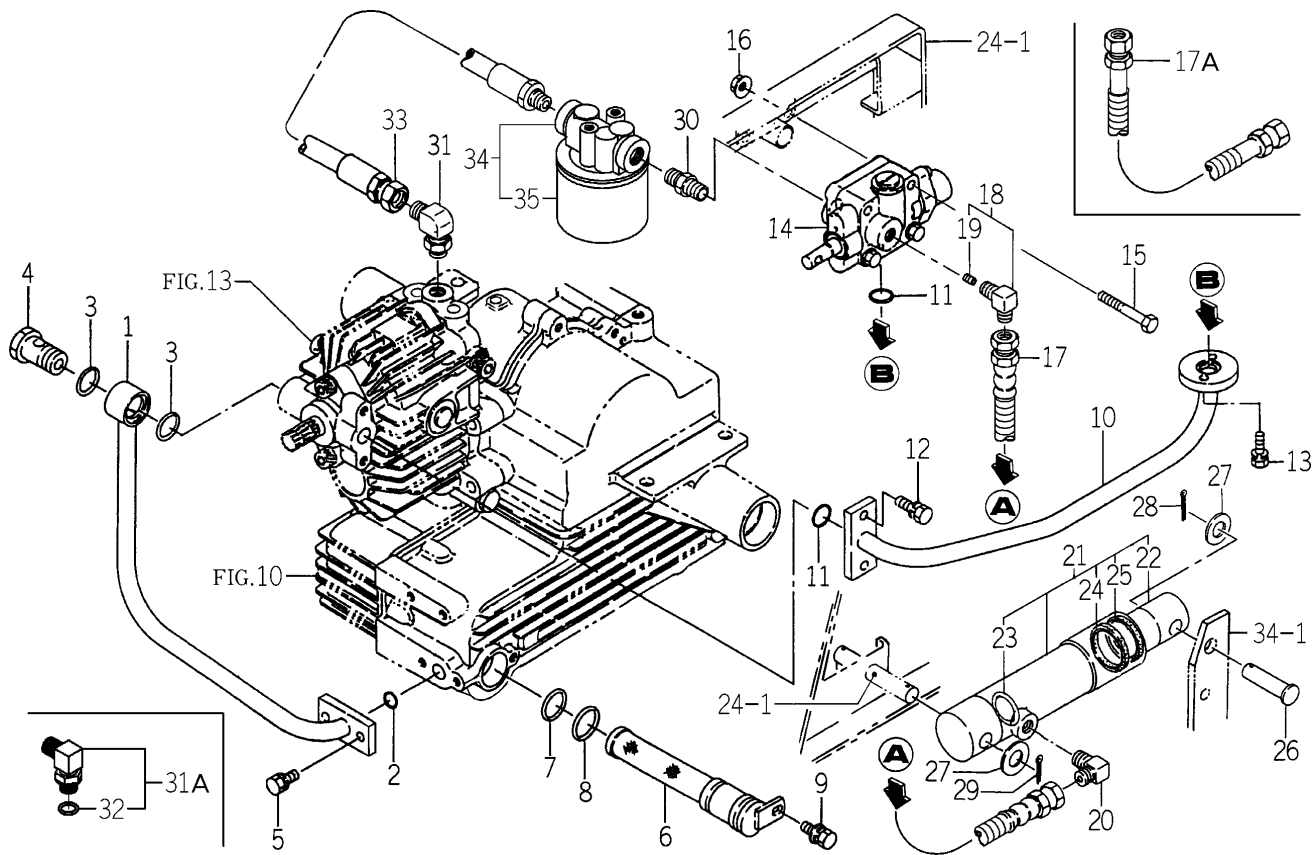
FIG. 13 HST (1) SYSTEM



1608-205-0100

KEY	PART CODE	DESCRIPTION	S P C	TYPE OF MODEL		I T C	C O L	G R P	REMARKS
				SG173H					
31	1608-205-218-00	PLUG	*	2					
32	1608-205-219-00	STEELBALL	*	2					
33	1608-205-221-00	UNLOADINGVALVE	*	1					
34	1608-205-222-00	VALVE RELIEF	*	1					
35	1608-205-223-00	SPRING	*	2					
36	1608-205-224-00	SPRING	*	1					
37	1608-205-225-00	SPRINGPIN	*	2					
38	1608-205-226-00	COVER	*	1					
39	1608-205-234-00	SOCKET-HEADBOLT	*	8					
40	1608-205-235-00	PLUG	*	2					
41	1608-205-236-00	DRIVESCREW	*	2					
42	1608-205-237-00	PIN	*	2					
43	1608-205-238-00	PLUG	*	2					
44	1608-205-239-00	VALVE	*	2					
45	1608-205-241-00	PLUG	*	2					
46	1608-205-242-00	ORIFICE	*	2					
47	1608-205-243-00	SPRING	*	2					
48	1608-205-244-00	SPRINGHOLDER	*	2					
49	1608-205-245-00	PLUG	*	1					
50	1608-205-246-00	SPRING	*	1					
51	1608-205-247-00	PLATE	*	1					
52	V705-140-052-00	RING,SNAP/52 C	*	1					
53	V705-140-040-00	RING,SNAP/40 C	*	1					
54	V704-140-020-00	RING,SNAP/20C	*	1					
55	V580-140-401-00	PIN/SPRING	*	2					
56	V705-140-030-00	RING,SNAP/30 C	*	1					
57	1608-205-290-00	SEALKIT	*	1	302503-				
58	1608-205-284-00	SEAL,OIL	*	1	302503-				
59	1608-205-227-00	OILSEAL	*	1					
60	1608-205-228-00	OILSEAL	*	2					

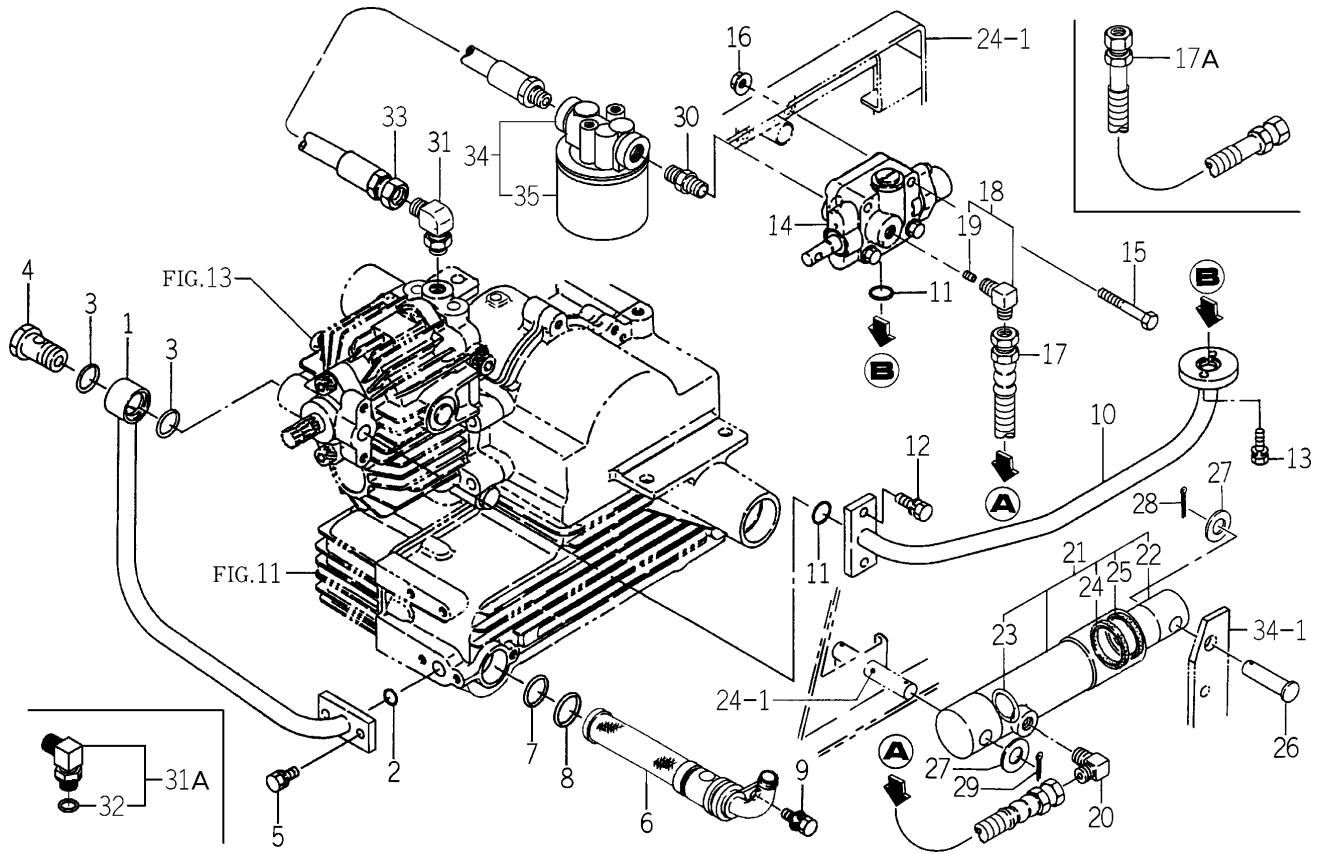
FIG. 14 HST (2) SYSTEM (EXCEPT U TYPE)



1608-206-0100

KEY	PART CODE	DESCRIPTION	S P C	TYPE OF MODEL		I T C	C O L	G R P	REMARKS
				SG173H					
1	1608-206-200-30	PIPE/SUCTION	*	1					
2	V720-102-401-80	O-RING/P18	*	1					
3	V720-102-402-20	O-RING/P22	*	2					
4	1608-206-001-00	BOLT(CONNECTER/PF1/2	*	1					
5	V211-260-802-00	BOLT/S	*	2					
6	1435-201-220-00	FILTER,SUCTION(HST)	*	1					
7	V720-103-502-40	O-RING/P24	*	1					
8	V720-103-502-60	O-RING/P26	*	1					
9	V211-360-801-60	BOLT,SEMS (SP)	*	1					
10	1608-206-210-20	PIPE/BOOST	*	1					
11	V720-102-401-80	O-RING/P18	*	2					
12	V211-260-802-00	BOLT/S	*	2					
13	V210-260-602-00	BOLT/S	*	2					
14	K211-012-000-00	VALVE,COUNTROL	*	1					FIG 058
15	V201-260-806-00	BOLT/M 8X60	*	2					
16	V363-260-008-00	NUT/WASHER	*	2					
17	3664-351-006-00	HOSE ASSY	*	1					
17A	1705-408-350-00	HOSE/HYDRO/610 ASSY	*	1	-302677				
18	1608-206-240-00	ADAPTER(90B)ORIFICE	*	1	302678-				
19	1608-206-241-00	ORIFICEBOLT/2.2	*	1					
20	3768-185-022-10	ADAPTER(90B/PUMP)	*	1					
21	K182-032-000-00	CYLINDER ASSY	*	1					
22	K182-032-001-00	PISTON	*	1					
23	K182-002-002-00	STOPPER,PISTON	*	1					
24	K182-032-002-00	ROD PACKING	*	1					
25	K182-032-003-00	DUST/SEAL	*	1					
26	1608-206-002-00	PIN (14X54)	*	1					
27	V411-260-014-00	WASHER,PL/M14	*	2					
28	V500-163-002-50	PIN,SPLIT/3 X25	*	1					
29	V500-164-003-00	PIN,SPLIT/4 X30	*	1					

FIG. 15 HST (2) SYSTEM (U TYPE)

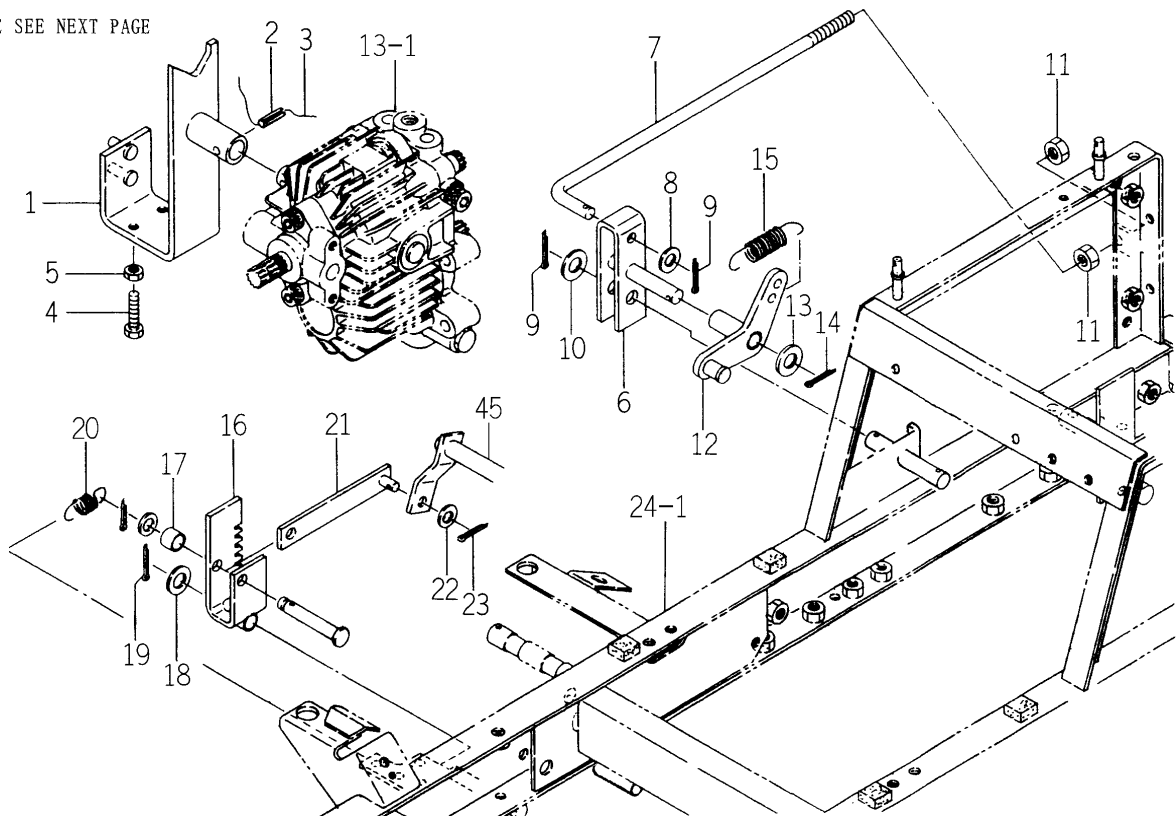


1631-206-0100

KEY	PART CODE	DESCRIPTION	S P C	TYPE OF MODEL		I T C	C O L	G R P	REMARKS
				SG173H					
1	1608-206-200-30	PIPE/SUCTION	*	1					
2	V720-102-401-80	O-RING/P18	*	1					
3	V720-102-402-20	O-RING/P22	*	2					
4	1608-206-001-00	BOLT(CONNECTER/PF1/2	*	1					
5	V211-260-802-00	BOLT/S	*	2					
6	1631-206-200-00	FILTER/SUCTION/HST	*	1					
7	V720-103-502-80	O-RING/P28	*	1					
8	V720-103-503-00	O-RING/P30	*	1					
9	V211-360-801-60	BOLT,SEMS (SP)	*	1					
10	1608-206-210-20	PIPE/BOOST	*	1					
11	V720-102-401-80	O-RING/P18	*	2					
12	V211-260-802-00	BOLT/S	*	2					
13	V210-260-602-00	BOLT/S	*	2					
14	K211-012-000-00	VALVE,COUNTROL	*	1					FIG 058
15	V201-260-806-00	BOLT/M 8X60	*	2					
16	V363-260-008-00	NUT/WASHER	*	2					
17	3664-351-006-00	HOSE ASSY	*	1					
17A	1705-408-350-00	HOSE/HYDRO/610 ASSY	*	1	-302677				
18	1608-206-240-00	ADAPTER(90B)ORIFICE	*	1	302678-				
19	1608-206-241-00	ORIFICEBOLT/2.2	*	1					
20	3768-185-022-10	ADAPTER(90B/PUMP)	*	1					
21	K182-032-000-00	CYLINDER ASSY	*	1					
22	K182-032-001-00	PISTON	*	1					
23	K182-002-002-00	STOPPER,PISTON	*	1					
24	K182-032-002-00	ROD PACKING	*	1					
25	K182-032-003-00	DUST/SEAL	*	1					
26	1608-206-002-00	PIN (14X54)	*	1					
27	V411-260-014-00	WASHER,PL/M14	*	2					
28	V500-163-002-50	PIN,SPLIT/3 X25	*	1					
29	V500-164-003-00	PIN,SPLIT/4 X30	*	1					

FIG. 16 HST (3) SYSTEM(1/3)

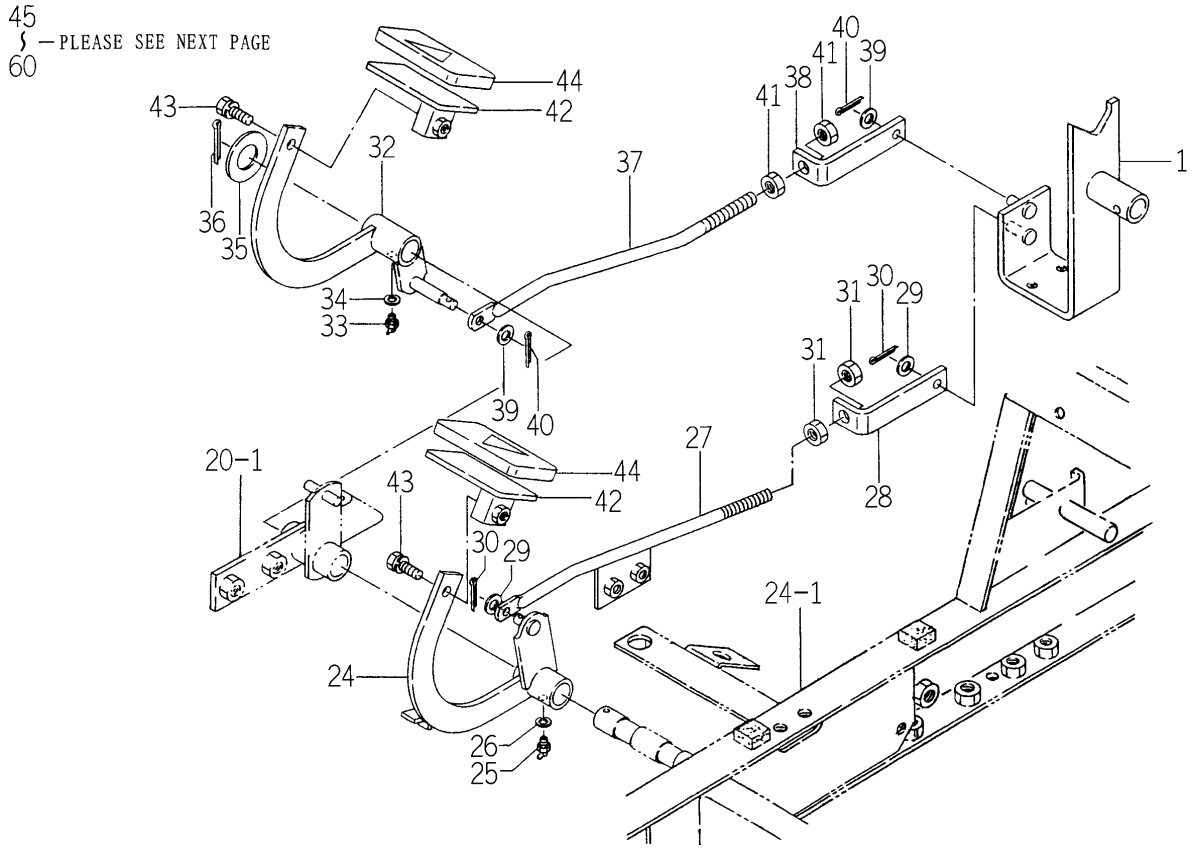
24
 } — PLEASE SEE NEXT PAGE
 30



1608-207-0100

KEY	PART CODE	DESCRIPTION	S P C	TYPE OF MODEL		I T C	C O L	G R P	REMARKS
				SG173H					
1	1608-207-200-30	PLATE,TRANON	*	1					
2	V580-140-602-50	PIN,SPRING/6 X25 W	*	1					
3		WIRE	*	1					
4	V201-260-803-50	BOLT/M 8X35	*	2					
5	V304-260-008-00	NUT	*	2					
6	1608-207-210-20	PIN(NEUTRAL)	*	1					
7	1608-207-011-00	ROD(NEUTRAL)	*	1					
8	V411-260-010-00	WASHER/M10	*	1					
9	V500-163-002-00	PIN,SPLIT/3 X20	*	2					
10	V411-260-012-00	WASHER /M12	*	1					
11	V304-260-010-00	NUT	*	2					
12	1608-207-220-20	LOCK(NEUTRAL)	*	1					
13	V411-260-012-00	WASHER /M12	*	1					
14	V500-163-002-00	PIN,SPLIT/3 X20	*	1					
15	3656-115-001-00	SPRING(HE085)	*	1					
16	1608-207-230-00	PLATE(HOOK) COMP	*	1					
17	1608-207-012-00	COLLAR(12X16X12)	*	1					
18	V411-260-012-00	WASHER /M12	*	2					
19	V500-163-002-00	PIN,SPLIT/3 X20	*	1					
20	3631-671-003-00	SPRING,ROD COVER	*	1					
21	1608-207-280-10	PLSTE(I/22X134)COMP	*	1					
22	V411-260-008-00	WASHER,PL/M 8	*	1					
23	V500-163-001-50	PIN,SPLIT/3 X15	*	1					
24	1608-207-240-20	ARM(HST/F) COMP	*	1					
25	V762-150-000-00	NIPPLE,GREASE/B-M6F	*	1					
26	V401-160-006-00	WASHER,SP/M 6	*	1					
27	1608-207-310-00	ROD(HST/F)COMP	*	1					
28	1608-207-004-10	PLATE(L/22X100)	*	1					
29	V411-260-008-00	WASHER,PL/M 8	*	2					
30	V500-163-001-50	PIN,SPLIT/3 X15	*	2					

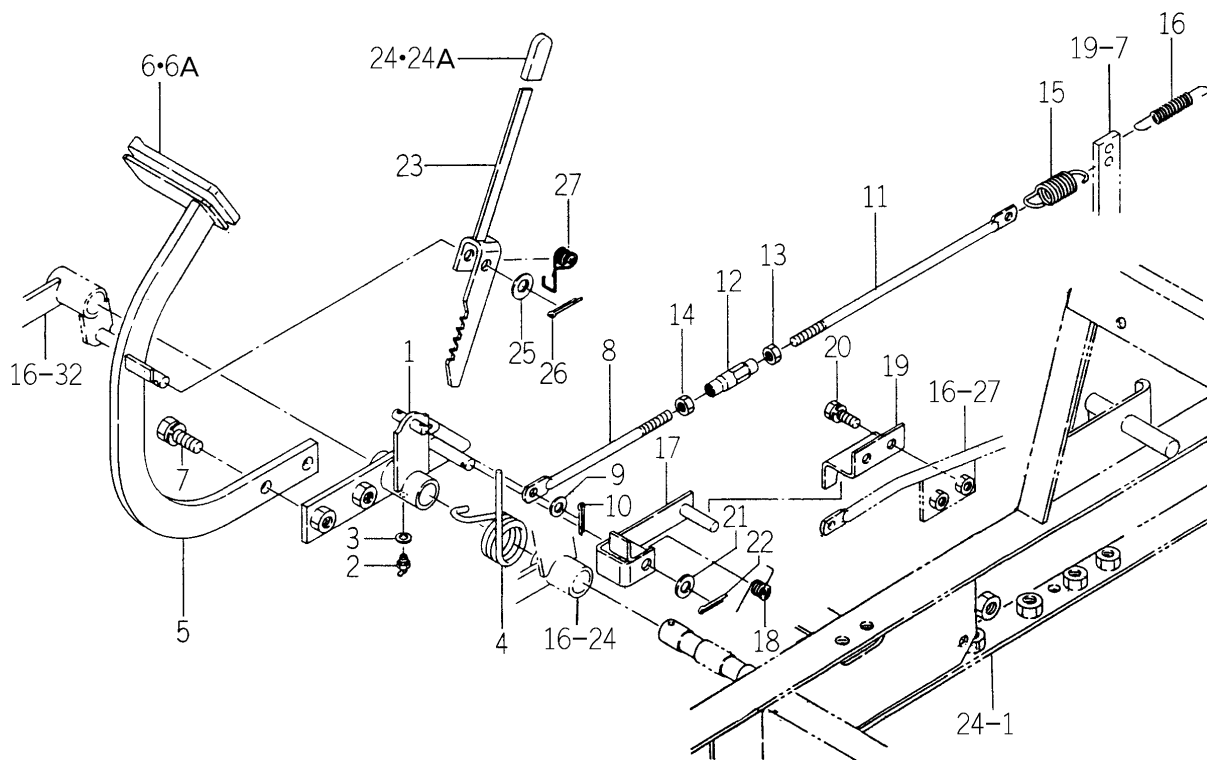
FIG. 16 HST (3) SYSTEM(2/3)



1608-207-0100

KEY	PART CODE	DESCRIPTION	S P C	TYPE OF MODEL		I T C	C O L	G R P	REMARKS
				SG173H					
31	V 304-260-010-00	NUT	*	2					
32	1608-207-250-20	ARM(HST/REVERSE)	*	1					
33	V 762-150-000-00	NIPPLE,GREASE/B-M6F	*	1					
34	V 401-160-006-00	WASHER,SP/M 6	*	1					
35	V 411-260-020-00	WASHER/M20	*	1					
36	V 500-163-003-00	PIN,SPLIT/3X30	*	1					
37	1608-207-003-20	ROD(HST/REVERSE)	*	1					
38	1608-207-004-10	PLATE(L/22X100)	*	1					
39	V 411-260-008-00	WASHER,PL/M 8	*	2					
40	V 500-163-001-50	PIN,SPLIT/3 X15	*	2					
41	V 304-260-010-00	NUT	*	2					
42	1608-207-260-20	PEDAL (HST)	*	2					
43	V 211-260-802-00	BOLT/S	*	2					
44	1608-207-014-00	PAD (HST)	*	2					
45	1608-207-270-10	SHAFT(HOOK)	*	1					
46	V 411-260-014-00	WASHER,PL/M14	*	1					
47	V 500-163-002-50	PIN,SPLIT/3 X25	*	1					
48	1608-207-290-00	ARM(HOOK)	*	1					
49	1593-101-012-00	STOPPER	*	1					
50	V 201-260-805-00	BOLT/M 8X50	*	1					
51	V 411-260-008-00	WASHER,PL/M 8	*	2					
52	V 304-260-008-00	NUT	*	2					
53	1608-207-006-10	ROD(M10X85)	*	1					
54	1608-207-007-10	PLATE(L/32X178)	*	1					
55	V 304-260-010-00	NUT	*	2					
56	V 411-260-008-00	WASHER,PL/M 8	*	1					
57	V 500-163-001-50	PIN,SPLIT/3 X15	*	1					
58	V 411-260-010-00	WASHER/M10	*	1					
59	V 500-163-002-00	PIN,SPLIT/3 X20	*	1					
60	1608-207-008-00	PIN (10X70)	*	1					

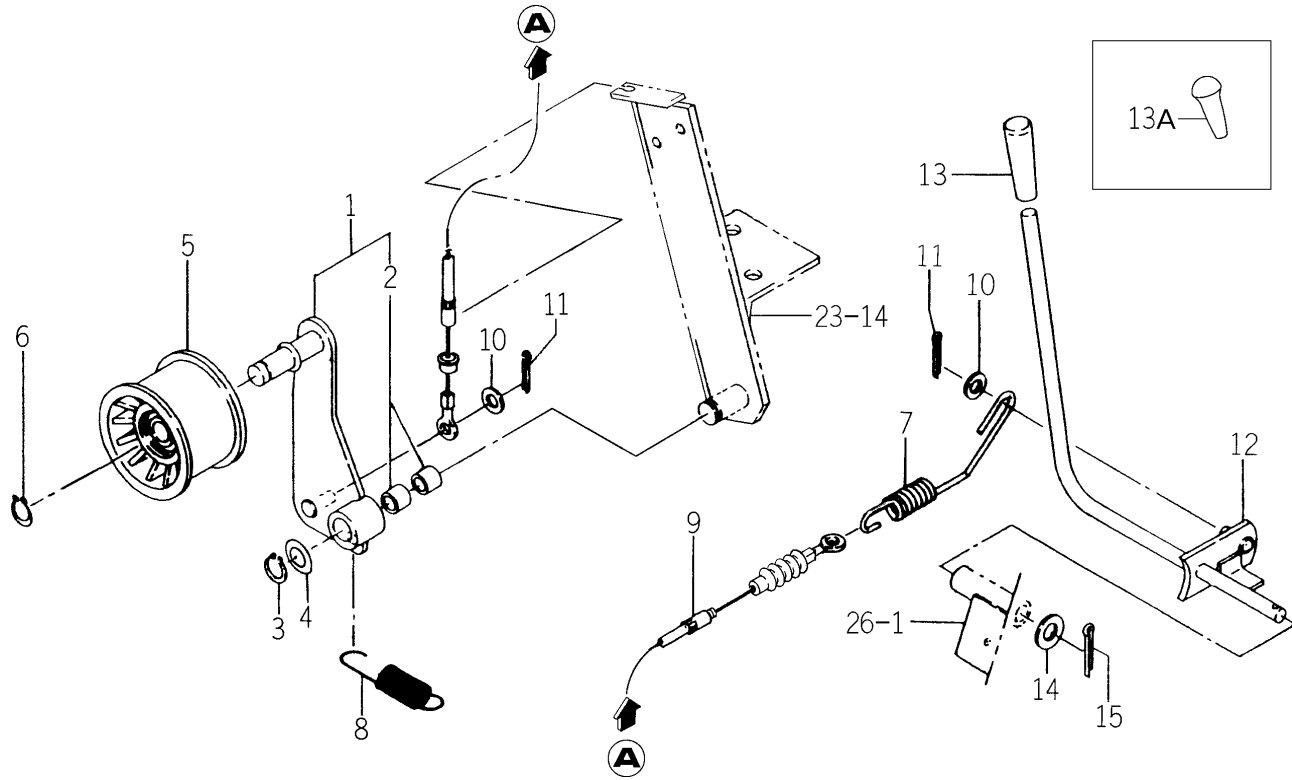
FIG. 20 BRAKE PEDAL AND ARM SYSTEM



1608-312 -0100,1608-313 -0100

KEY	PART CODE	DESCRIPTION	S P C	TYPE OF MODEL		I T C	C O L	G R P	REMARKS
				SG173H					
1	1608-312-200-40	ARM/BRAKE COMP	*	1					
2	V760-150-000-00	NIPPLE,GREASE	*	1					
3	V401-160-006-00	WASHER,SP/M 6	*	1					
4	1608-312-005-00	SPRING(HT035)	*	1					
5	1608-312-210-20	ARM(PEDAL)	*	1					
6	1524-122-001-00	PAD	*	1					
6A	1636-313-011-10	PAD/BRAKE	*	-302331					
7	V211-261-002-50	BOLT(S) M10X25	*	302332-					
8	1608-312-007-00	ROD/M08X140	*	1					
9	V411-260-008-00	WASHER,PL/M 8	*	1					
10	V500-163-001-50	PIN,SPLIT/3 X15	*	1					
11	1608-312-003-40	ROD/M08X250	*	1					
12	1444-122-002-00	TURNBUCKLE/M8	*	1					
13	V304-260-008-00	NUT	*	1					
14	1560-132-007-30	NUT/M8	*	1					
15	1337-401-006-00	SPRING	*	1					
16	1415-120-006-00	SPRING,TENSION/86	*	1					
17	1608-312-220-00	PLATE(BRAKE LOCK)	*	1					
18	1593-312-056-20	SPRING/HT013	*	1					
19	1608-312-006-20	PLATE,LOCK	*	1					
20	V211-260-802-00	BOLT/S	*	2					
21	V411-260-010-00	WASHER/M10	*	1					
22	V500-163-002-00	PIN,SPLIT/3 X20	*	1					
23	1608-313-200-10	PLATE(PARKING) COMP	*	1					
24	3600-201-013-00	GRIP,BRAKE	*	1					
24A	2171-213-002-00	GRIP/04X12X50	*	-302331					
25	V411-260-010-00	WASHER/M10	*	302332-					
26	V500-163-002-00	PIN,SPLIT/3 X20	*	1					
27	1593-312-056-20	SPRING/HT013	*	1					

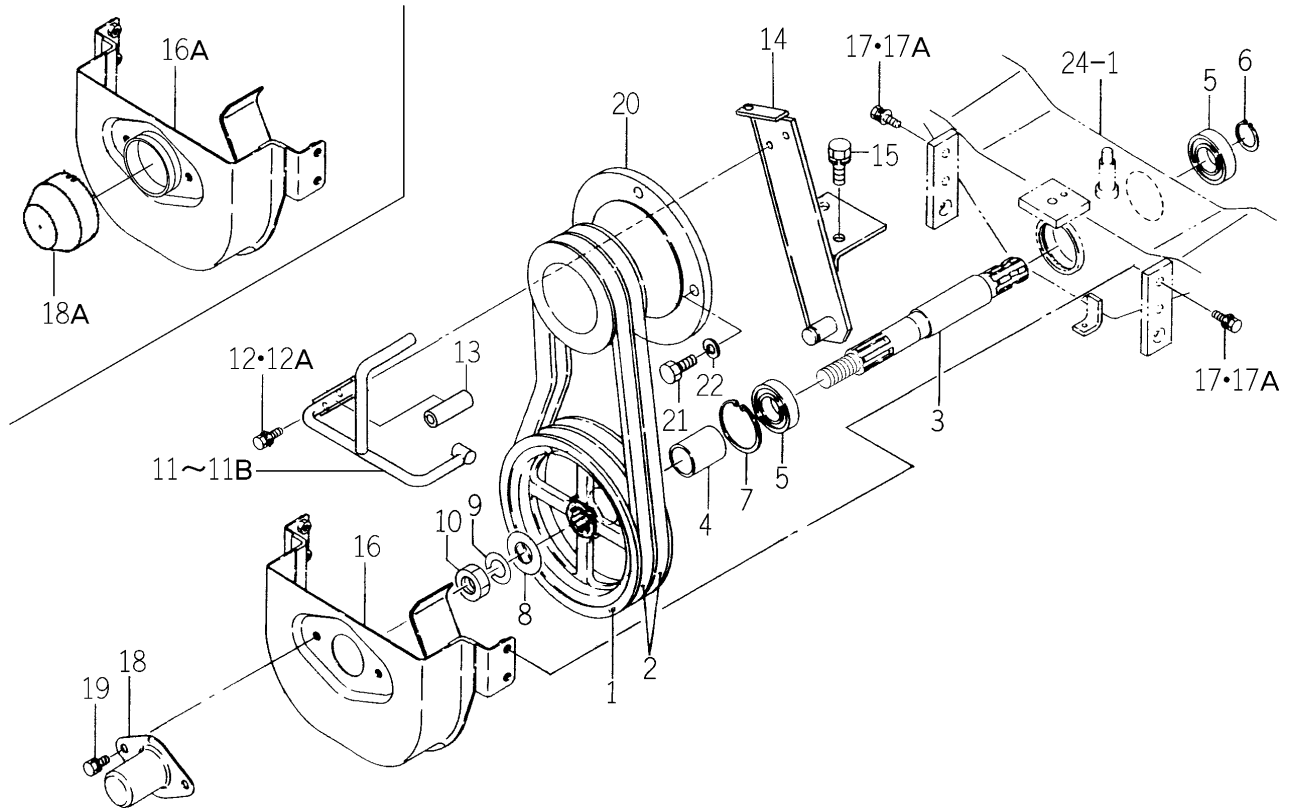
FIG. 22 PTO CLUTCH SYSTEM



1593-332A-0100,1593-333A-0100

KEY	PART CODE	DESCRIPTION	S P C	TYPE OF MODEL		I T C	C O L	G R P	REMARKS
				SG173H					
1	1593-332-520-30	ARM/PTO ASSY	*	1					
2	2502-407-001-10	BUSH/15X17X11	*	2					
3	V704-140-015-00	RING,SNAP/15 C	*	1					
4	1427-601-003-00	WASHER/15X24X2	*	1					
5	3648-703-001-00	PULLEY/FT80X47	*	1					
6	V704-140-015-00	RING,SNAP/15 C	*	1					
7	1593-332-052-10	SPRING/HE014	*	1					
8	1593-332-053-00	SPRING/HE083	*	1					
9	1593-332-051-30	CABLE/PTO ASSY	*	1					
10	V411-260-008-00	WASHER,PL/M 8	*	2					
11	V500-163-001-50	PIN,SPLIT/3 X15	*	2					
12	1593-333-500-30	LEVER,PTO	*	1					
13	4106-105-303-00	KNOB	*	1	-302331				
13A	1705-333-001-00	GRIP/PTO	*	1	302332				
14	V411-260-010-00	WASHER/M10	*	1					
15	V500-163-002-50	PIN,SPLIT/3 X25	*	1					

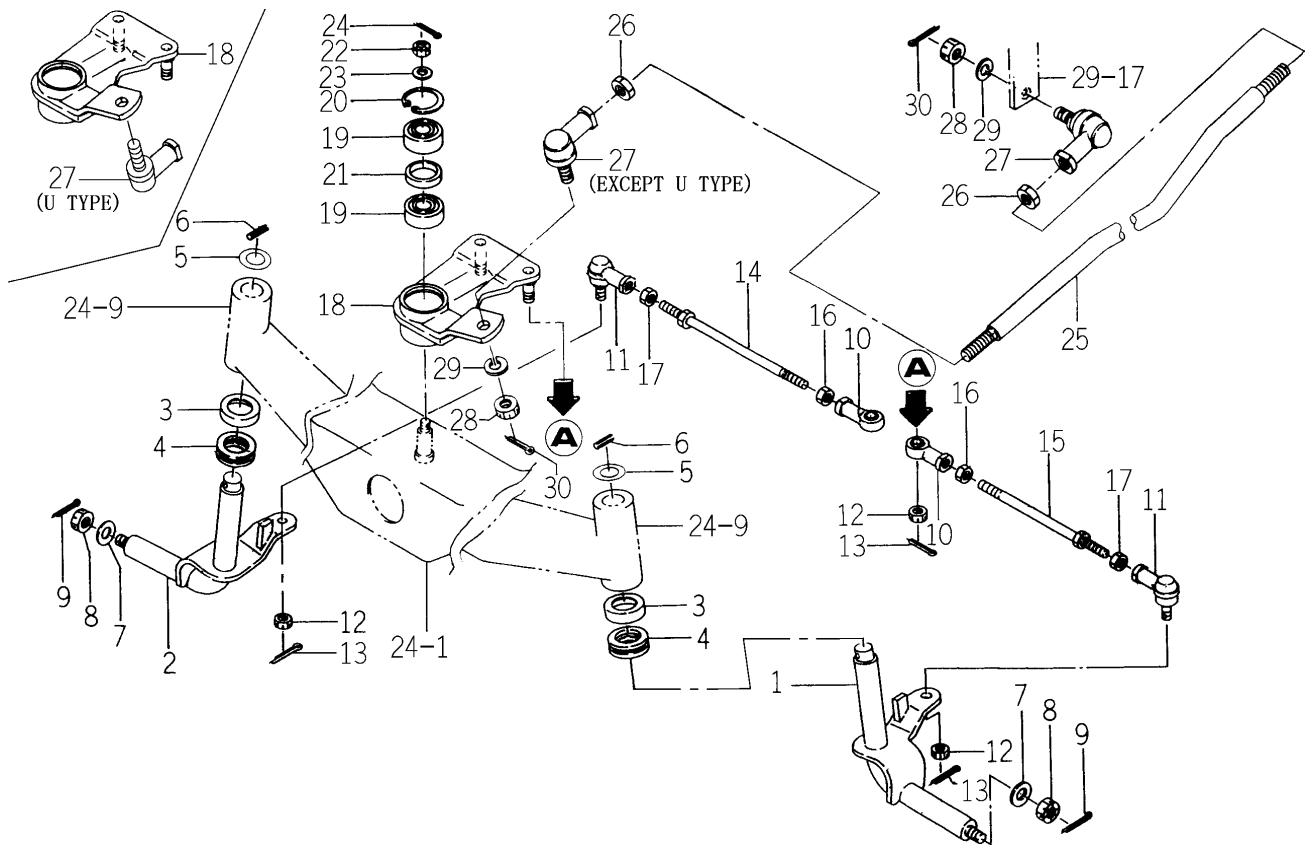
FIG. 23 PTO SHAFT SYSTEM



1593-334B-0100,1593-335 -0100

KEY	PART CODE	DESCRIPTION	S P C	TYPE OF MODEL		I T C	C O L	G R P	REMARKS
				SG173H					
1	1593-334-056-50	PULLY/V2B173	*	1					
2	1593-334-054-30	BELT/VB038	*	2					
3	1593-334-052-00	SHAFT/PTO/MID	*	1					
4	1593-334-055-00	COLLAR/26X32X41	*	1					
5	V600-150-600-50	BEARING,RB/6005SS	*	2					
6	V704-140-025-00	RING,SNAP/25 C	*	1					
7	V705-140-047-00	RING,SNAP/47 C	*	1					
8	3746-111-011-00	WASHER	*	1					
9	V401-160-016-00	WASHER,SP/M16	*	1					
10	V304-460-016-00	NUT/M16	*	2					
11	1593-334-300-20	BAR/PTO	*	1	-301714				
11A	1593-334-300-30	BAR/PTO	*	1	-302139		1		
11B	1593-334-300-40	BAR/PTO	*	1	302140-		1		
12	V210-360-601-60	BOLT(SP)/M6X16	*	2	-301714				
12A	V210-360-602-00	BOLT/SP	*	2	301715-				
13	1701-509-007-00	GROMMET/10X18X50	*	1					
14	1593-334-310-20	BRACKET,PTO/F	*	1					
15	V211-261-002-50	BOLT(S) M10X25	*	2					
16	1593-335-500-50	COVER,F/PTO COMP	*	1	-302620				
16A	1593-335-500-60	COVER/FRONT/PTO COMP	*	1	302621-		3		
17	V210-360-602-00	BOLT/SP	*	4	-302620				
17A	V210-660-602-00	BOLT/SP	*	4	302621-				
18	1427-130-260-00	CAP,SHAFT(A)COMP	*	1	-302620				
18A	1593-411-053-20	CAP/WHEEL	*	1	302621-				
19	V210-260-601-20	BOLT/S	*	2	-302620				
20	1593-335-058-00	PULLEY,V/2B105	*	1					
21	V203-461-002-50	BOLT/M10X25	*	4					
22	V401-160-010-00	WASHER,SP/M10	*	4					

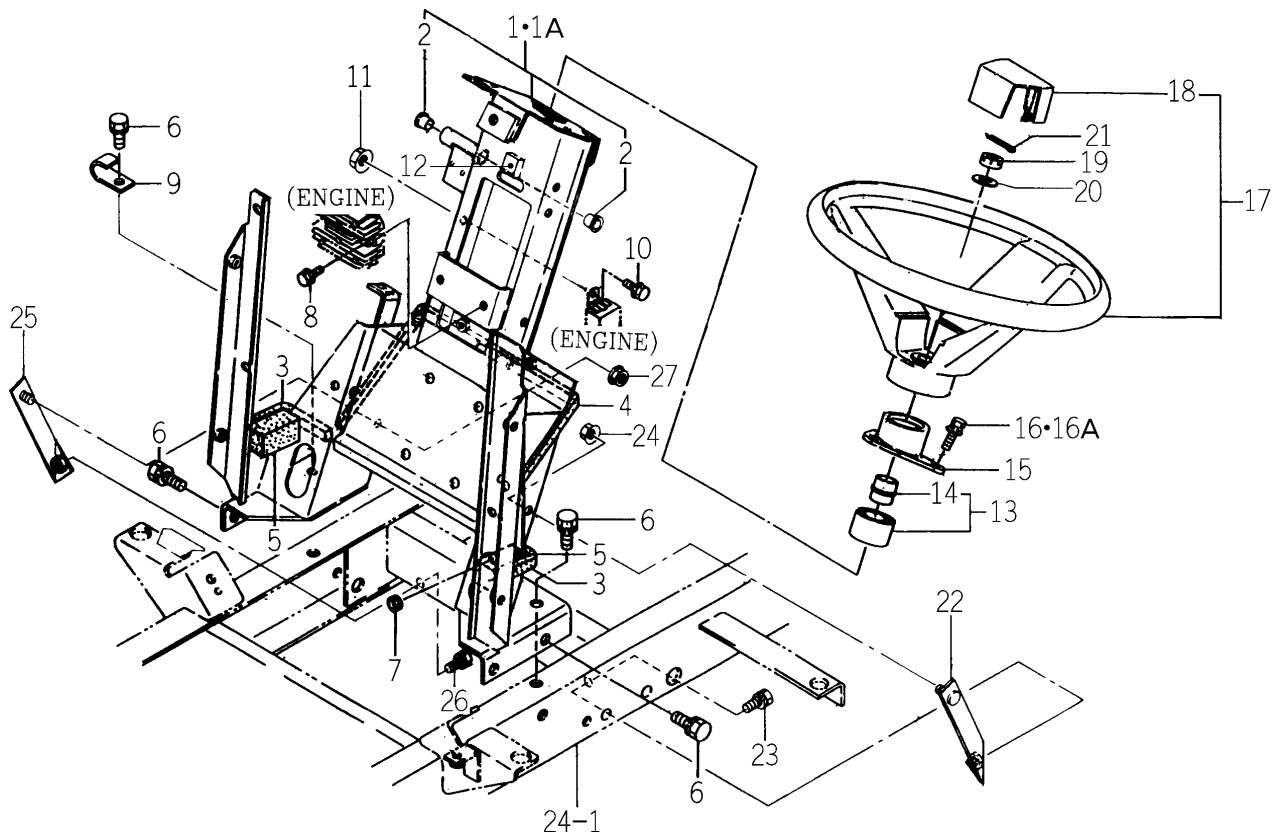
FIG. 25 KNUCKLE ARM SYSTEM



1631-403-0100

KEY	PART CODE	DESCRIPTION	S P C	TYPE OF MODEL		I T C	C O L	G R P	REMARKS
				SG173H					
1	1593-403-500-80	ARM/KNUCKLE/LH COMP	*	1					
2	1593-403-510-80	ARM/KNUCKLE/RH COMP	*	1					
3	1593-403-004-10	COVER/44X10	*	2					
4	1593-403-009-00	THRUST	*	2					
5	V411-260-018-00	WASHER,PL/M18	*	2					
6	V580-140-503-20	PIN,SPRING/5 X32 W	*	2					
7	3805-701-018-00	WASHER(13X34X05)	*	2					
8	V328-262-112-00	NUT/M12X1.25	*	2					
9	V500-163-002-50	PIN,SPLIT/3 X25	*	2					
10	1593-403-003-10	JOINT,BALL/LH	*	2					
11	1593-403-001-10	JOINT,BALL/RH	*	2					
12	V328-262-110-00	NUT	*	4					
13	V500-162-502-00	PIN,SPLIT/2.5X20	*	4					
14	1593-403-052-30	ROD/D=8.90-8.94	*	1					
15	1593-403-056-40	ROD/TIE/M10X193	*	1					
16	3625-212-007-00	NUT/M10	*	2					
17	V334-260-010-00	NUT/M10	*	2					
18	1631-403-200-00	ARM/PITMAN COMP	*	1					
19	V600-150-620-30	BEARING,RB/6203SS	*	2					
20	V705-140-040-00	RING,SNAP/40 C	*	1					
21	1593-403-007-20	COLLAR/31X38X06	*	1					
22	V328-262-110-00	NUT	*	1					
23	1376-121-001-00	WASHER/11X22X3	*	1					
24	V500-162-502-00	PIN,SPLIT/2.5X20	*	1					
25	1631-403-001-20	ROD/DRA	*	1					
26	V335-260-012-00	NUT	*	2					
27	1593-403-005-00	JOINT,BALL	*	2					
28	V328-262-112-00	NUT/M12X1.25	*	2					
29	V401-160-012-00	WASHER,SP/M12	*	2					
30	V500-163-002-50	PIN,SPLIT/3 X25	*	2					

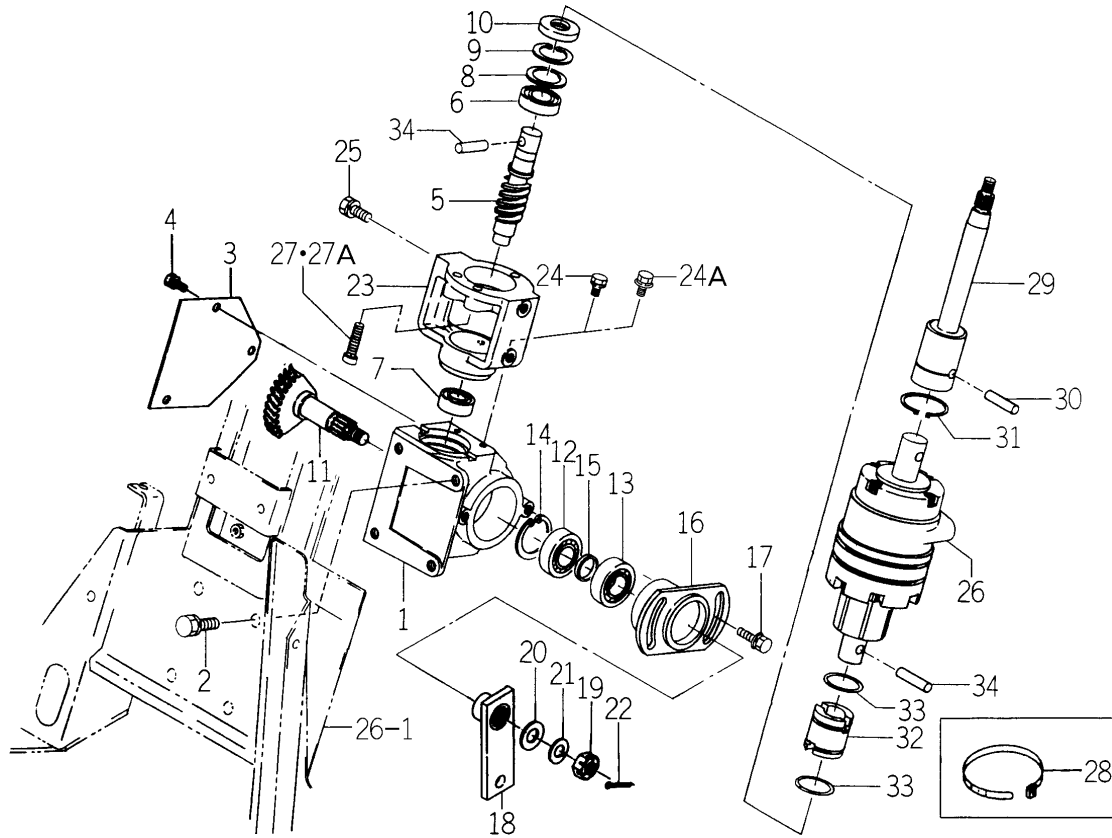
FIG. 26 STEERING WHEEL SYSTEM (U TYPE)



1631-406-0100

KEY	PART CODE	DESCRIPTION	S P C	TYPE OF MODEL		I T C	C O L	G R P	REMARKS
				SG173H					
1	1631-406-200-50	POST/STEERING ASSY	*	1	-302543				
1A	1631-406-200-60	POST/STEERING ASSY	*	1	302544-	1			
2	1564-512-001-00	BUSH/10X12X10	*	2					
3	1593-601-069-00	SEAL/15X20X120	*	2					
4	1593-601-065-10	SEAL/20X15X530	*	1					
5	1593-406-008-00	SEAL/30X30X50	*	2					
6	V211-561-002-50	BOLT/M10X25	*	6					
7	1427-621-012-00	GROMMET	*	1					
8	V210-360-602-00	BOLT/SP	*	2					
9	3737-172-011-00	CLAMP,HARNES	*	1					
10	V211-360-801-60	BOLT,SEMS (SP)	*	1					
11	V363-260-008-00	NUT/WASHER	*	1					
12	1593-401-007-20	INSULATOR/22	*	1					
13	1593-406-250-00	COLUMN,STEERING ASSY	*	1					
14	1593-406-005-10	BUSH,COLUMN	*	1					
15	1593-406-004-00	HUB,STEERING COLUMN	*	1					
16	V210-360-602-00	BOLT/SP	*	3	-302502				
16A	V210-360-602-50	BOLT/SP	*	3	302503-				
17	1593-406-240-10	WHEEL,STEERING ASSY	*	1					
18	1593-406-006-00	PAD,STEERING WHEEL	*	1					
19	V328-262-110-00	NUT	*	1					
20	V411-260-010-00	WASHER/M10	*	1					
21	V500-162-502-00	PIN,SPLIT/2.5X20	*	1					
22	1631-406-220-00	PLATE,POST/LH	*	1					
23	V211-260-802-00	BOLT/S	*	1					
24	V363-260-008-00	NUT/WASHER	*	1					
25	1631-406-230-00	PLATE,POST/RH	*	1					
26	V211-260-802-00	BOLT/S	*	1					
27	V363-260-008-00	NUT/WASHER	*	1					

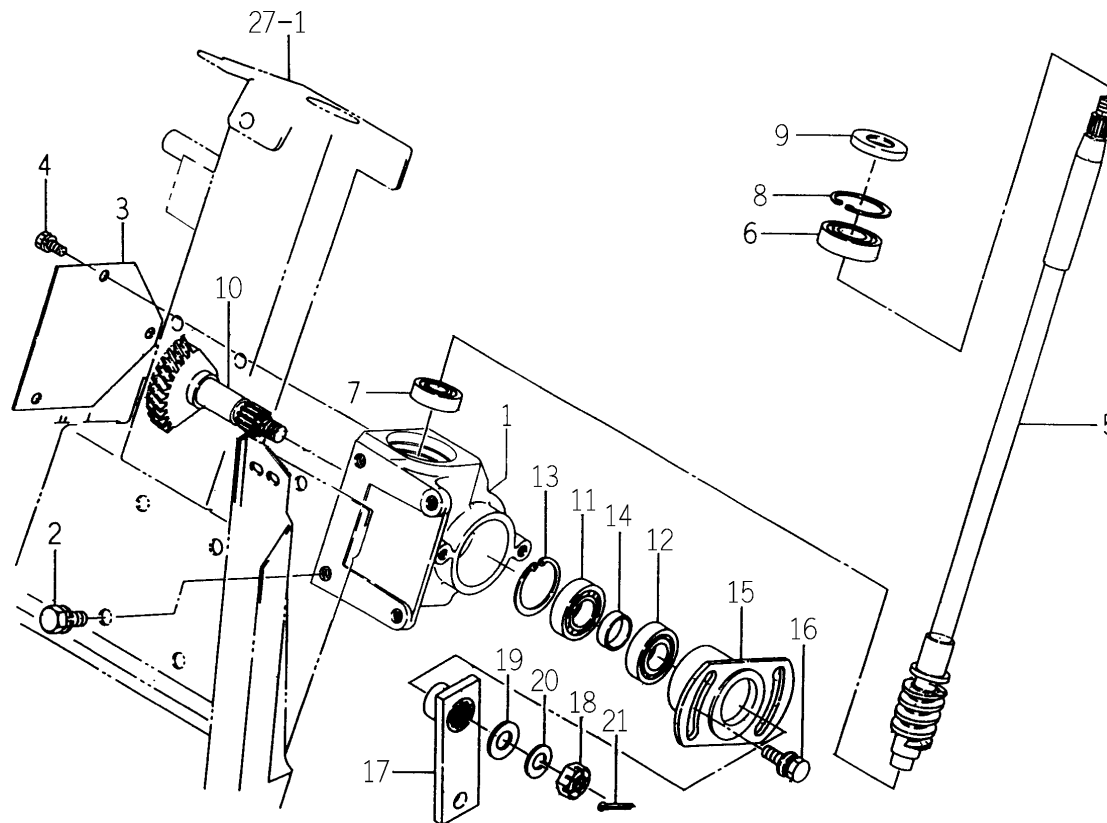
FIG. 28 STEERING SYSTEM (U TYPE)



1631-407-0100

KEY	PART CODE	DESCRIPTION	S P C	TYPE OF MODEL		I T C	C O L	G R P	REMARKS
				SG173H					
1	1631-407-201-10	CASE/STEERING	*	1					
2	V211-261-002-00	BOLT,SEMS	*	4					
3	1593-407-004-40	PLATE,STEERING	*	1					
4	V210-260-601-20	BOLT/S	*	3					
5	1631-407-202-00	WORM/24	*	1					
6	1593-407-002-00	BEARING,RB/7004	*	1					
7	1593-407-006-00	BEARING,RB/7202	*	1					
8	1480-207-011-00	WASHER/31X42X1	*	1					
9	V705-140-042-00	RING,SNAP/42 C	*	1					
10	V742-120-420-60	SEAL,OIL/VC20426	*	1					
11	1593-407-510-50	GEAR(HELICAL/T72)	*	1					
12	V600-110-620-40	BEARING,RB/6204	*	1					
13	V600-140-620-40	BEARING,RB/6204RS	*	1					
14	V705-140-047-00	RING,SNAP/47 C	*	1					
15	1631-407-203-10	COLLAR/21X25X04	*	1					
16	1631-407-210-10	FLANGE/CONTROL COMP	*	1					
17	V211-360-802-00	BOLT/SP	*	2					
18	1593-407-530-40	ARM/DRAG COMP	*	1					
19	V328-262-112-00	NUT/M12X1.25	*	1					
20	V411-260-012-00	WASHER /M12	*	1					
21	V401-160-012-00	WASHER,SP/M12	*	1					
22	V500-163-002-50	PIN,SPLIT/3 X25	*	1					
23	1631-407-001-00	CASE/POWERSTEERING	*	1					
24	V210-260-601-60	BOLT/S	*	2	-302502				
24A	V210-660-602-00	BOLT/SP	*	2	302503-				
25	V211-260-801-60	BOLT,SEMS (S) M8X16	*	3					
26	1631-407-300-00	TORQUEGENERATOR ASSY	*	1					
27	1631-407-004-00	BOLT/5/16X32	*	3	-302502				
27A	1631-407-004-00	BOLT/5/16X32	*	2	302503-				
28	3746-185-014-00	BAND,HOSE	*	2					

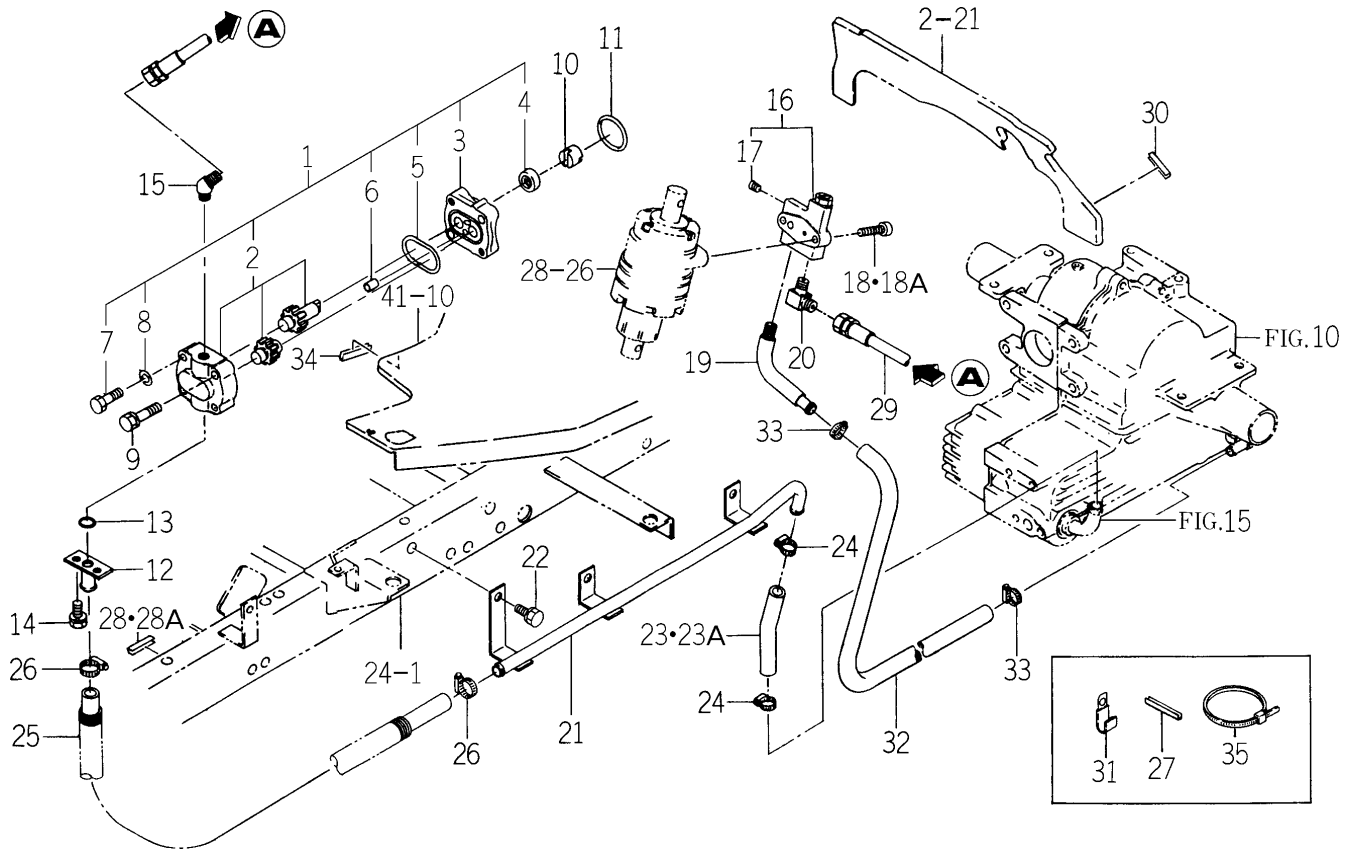
FIG. 29 STEERING SYSTEM (EXCEPT U TYPE)



1593-407A-0100

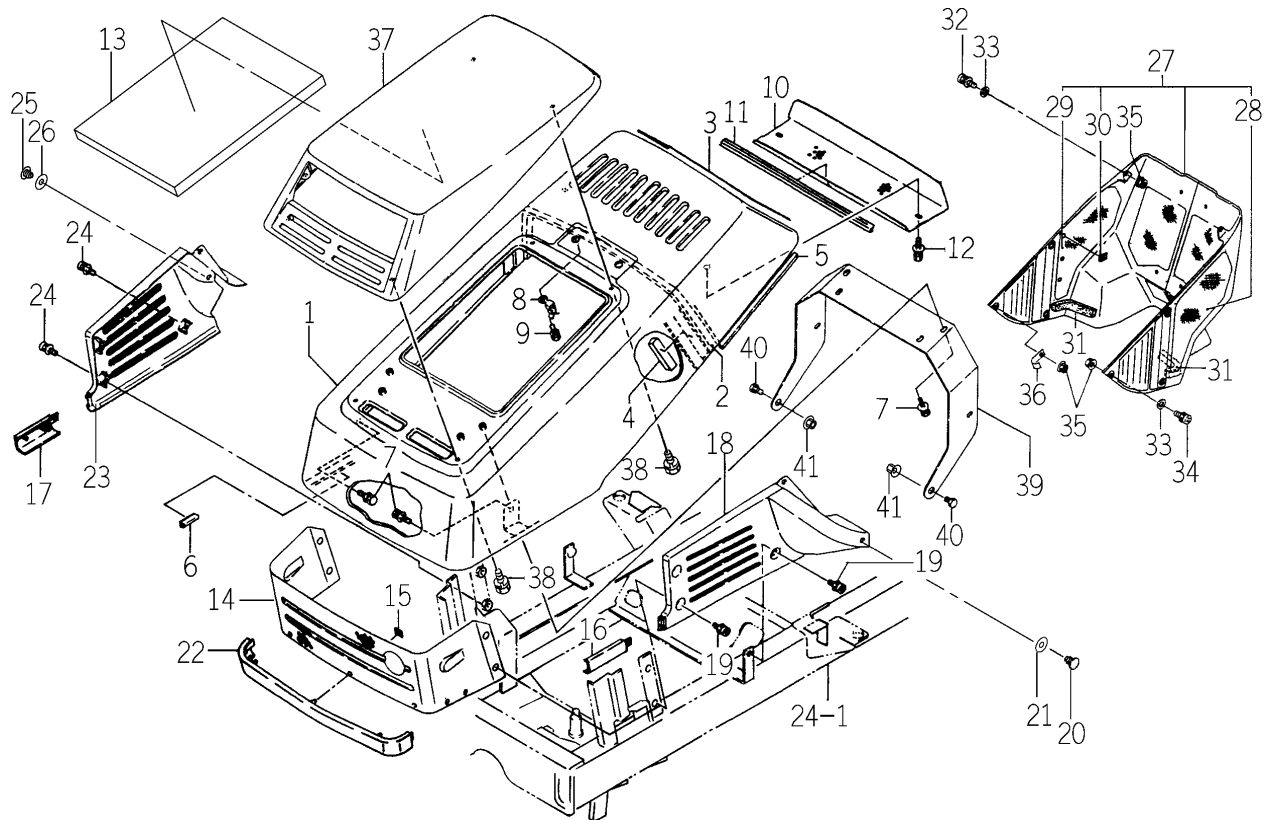
KEY	PART CODE	DESCRIPTION	S P C	TYPE OF MODEL		I T C	C O L	G R P	REMARKS
				SG173H					
1	1593-407-051-70	CASE/STEERING	*	1		3			
2	V211-261-002-00	BOLT,SEMS	*	4					
3	1593-407-004-40	PLATE,STEERING	*	1					
4	V210-260-601-20	BOLT/S	*	3					
5	1593-407-200-60	SHAFT/STEERING COMP	*	1		1			
6	1593-407-002-00	BEARING,RB/7004	*	1					
7	1593-407-006-00	BEARING,RB/7202	*	1					
8	V705-140-042-00	RING,SNAP/42 C	*	1					
9	V742-120-420-60	SEAL,OIL/VC20426	*	1					
10	1593-407-510-50	GEAR(HELICAL/T72)	*	1					
11	V600-110-600-40	BEARING,RB/6004	*	1					
12	V600-140-600-40	BEARING,RB/6004S	*	1					
13	V705-140-042-00	RING,SNAP/42 C	*	1					
14	1593-407-007-20	COLLAR/21X25X08	*	1					
15	1593-407-520-40	FLANGE/CONTROL COMP	*	1					
16	V211-360-802-00	BOLT/SP	*	2					
17	1593-407-530-40	ARM/DRAG COMP	*	1					
18	V328-262-112-00	NUT/M12X1.25	*	1					
19	V411-260-012-00	WASHER /M12	*	1					
20	V401-160-012-00	WASHER,SP/M12	*	1					
21	V500-163-002-50	PIN,SPLIT/3 X25	*	1					

FIG. 30 POWER STEERING SYSTEM (U TYPE)



1631-408-0100

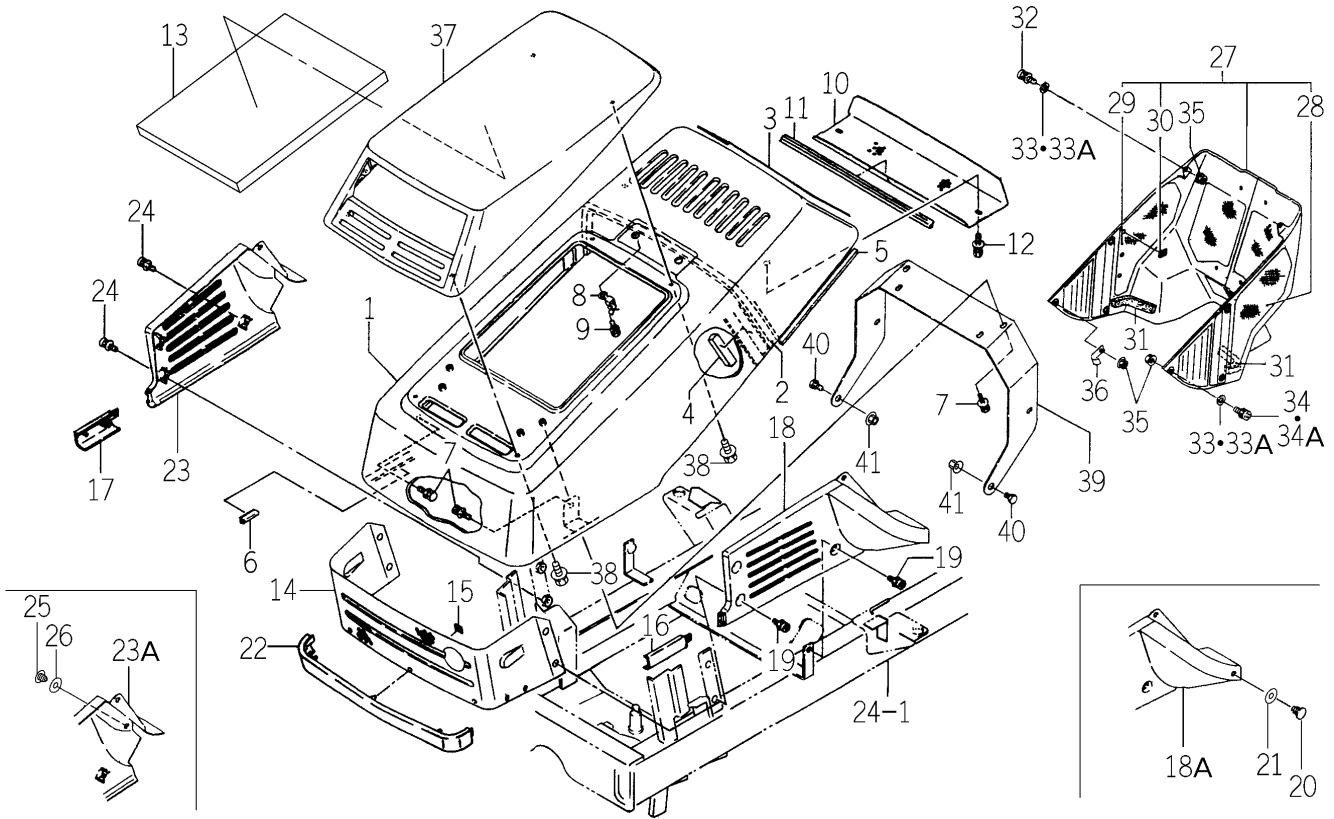
KEY	PART CODE	DESCRIPTION	S P C	TYPE OF MODEL		I T C	C O L	G R P	REMARKS
				SG173H					
1	K 130-003-000-00	PUMP/GEAR ASSY	*	1					
2	K 130-003-100-00	PUMP/BEAR SET	*	1					
3	K 130-003-003-00	COVER/GPF1	*	1					
4	V 744-115-250-70	SEAL,OIL/TC15257	*	1					
5	V 723-102-005-60	O-RING	*	1					
6	K 130-003-004-00	KNOK	*	2					
7	V 201-260-804-00	BOLT/M 8X40	*	2					
8	V 401-160-008-00	WASHER,SP/M 8	*	2					
9	V 211-260-804-00	BOLT,SEMS	*	2					
10	3640-350-006-10	CONNECTOR	*	1					
11	V 723-102-004-00	O-RING	*	1					
12	2144-409-210-10	SUCTION/OUT COMP	*	1					
13	V 720-102-401-60	O-RING/P16	*	1					
14	V 210-260-601-60	BOLT/S	*	2					
15	3631-350-201-10	ADAPTER/45B	*	1					
16	K 250-034-000-30	VALVE/RELIEF ASSY	*	1					
17	V 780-140-000-2T	PLUG/SCREW/SEAL	*	1					
18	1631-408-003-00	BOLT/5/16X25	*	2	-302502				
18A	1631-408-003-00	BOLT/5/16X25	*	3	302503-				
19	1631-408-001-10	PIPE/RETURN	*	1					
20	3768-185-022-10	ADAPTER(90B/PUMP)	*	1					
21	1631-408-210-00	PIPE/SUCTION COMP	*	1					
22	V 211-261-002-00	BOLT,SEMS	*	1					
23	3543-350-001-00	HOSE/14X22X150	*	1	-477				
23A	1435-201-012-10	HOSE/70	*	1	478-				
24	J 061-114-024-00	CLAMP/WORM/14-24	*	2					
25	1631-408-002-00	HOSE/14X22X460	*	1					
26	J 061-114-024-00	CLAMP/WORM/14-24	*	2					
27	3661-212-001-00	LINING/50	*	1					
28	3666-202-005-00	PROTECTOR	*	2	-302677				

FIG. 36 HOOD SYSTEM (EXCEPT M TYPE)

1631-601A-0100

KEY	PART CODE	DESCRIPTION	S P C	TYPE OF MODEL		I T C	C O L	G R P	REMARKS
				SG173H					
1	1631-601-200-11	HOOD/A COMP	*	1			4G		
2	1631-601-004-10	SEAL/20X20X720	*	1					
3	1593-601-067-30	TRIM/1X06X570	*	1					
4	1593-601-071-00	SEAL(20X10X130)	*	1					
5	1593-601-072-00	TRIM/1X6X360	*	2					
6	3661-212-001-00	LINING/50	*	1					
7	V210-360-601-60	BOLT(SP)/M6X16	*	6					
8	3610-631-002-00	HANGER,SUPPORT	*	2					
9	V211-260-801-20	BOLT,SEMS (S) M8X12	*	2					
10	1593-601-009-00	NET/100X388	*	1					
11	1593-601-072-00	TRIM/1X6X360	*	2					
12	4301-210-002-00	BOLT (S/N6X16)	*	2					
13	1593-601-015-00	INSULATOR/HOOD	*	3					
14	1631-601-001-11	COVER/FRONT/MESH	*	1			8E		
15	V350-160-006-00	NUT,SPEED/P6	*	5					
16	1631-601-005-00	COVER/SIDE/LH	*	1					
17	1631-601-006-00	COVER/SIDE/RH	*	1					
18	1593-601-011-10	COVER/FRONT/LH	*	1		1			
19	V120-366-001-60	SCREW	*	3					
20	1527-604-002-00	CLIP(B)	*	1					
21	V411-260-008-00	WASHER,PL/M 8	*	1					
22	1593-601-012-00	COVER/FRONT/C	*	1					
23	1593-601-013-10	COVER/FRONT/RH	*	1		1			
24	V120-366-001-60	SCREW	*	3					
25	1527-604-002-00	CLIP(B)	*	1					
26	V411-260-008-00	WASHER,PL/M 8	*	1					
27	1593-601-300-00	COVER/LOWER ASSY	*	1					
28	1593-601-524-10	NET,LOWER COVER/LH	*	1					
29	1593-601-525-10	NET,LOWER COVER/RH	*	1					
30	V350-160-004-00	NUT,SPEED/P4	*	33					

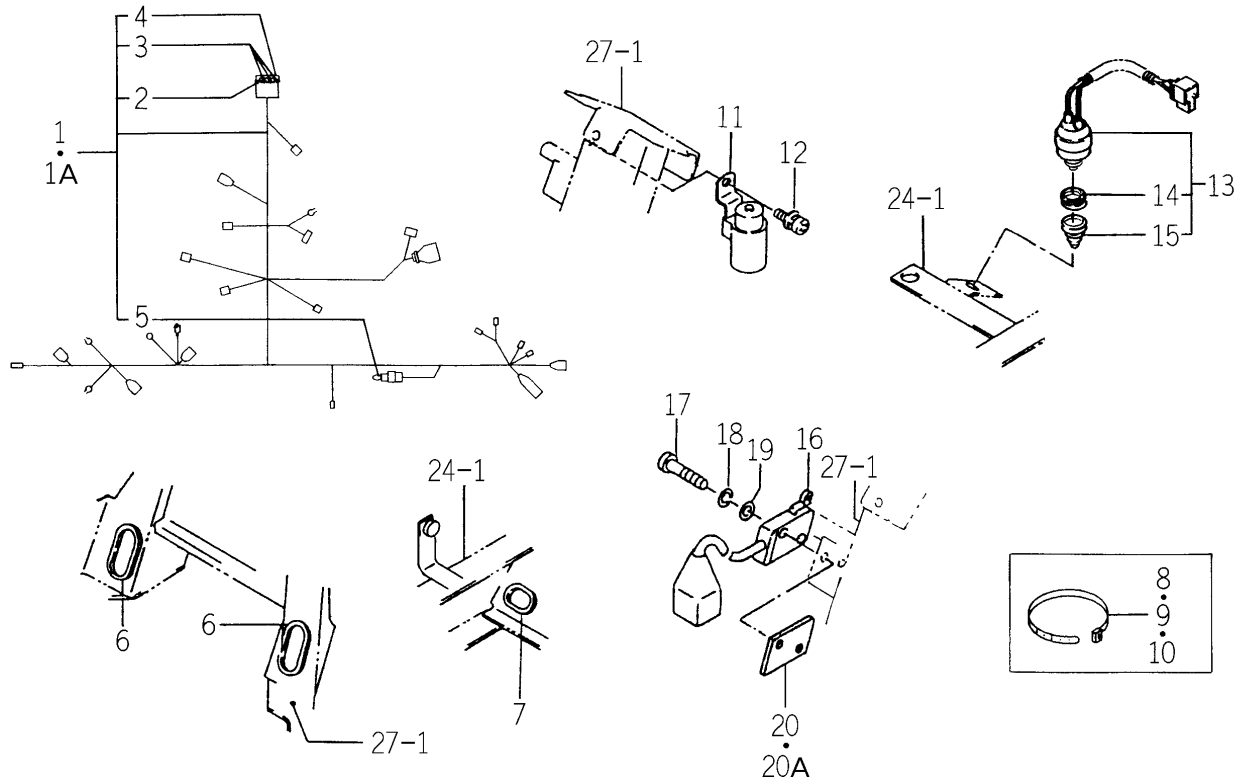
FIG. 37 HOOD SYSTEM (M TYPE)



1631-601B-0100

KEY	PART CODE	DESCRIPTION	S P C	TYPE OF MODEL		I T C	C O L	G R P	REMARKS
				SG173H					
1	1631-601-200-12	HOOD/A COMP	*	1					
2	1631-601-004-10	SEAL/20X20X720	*	1					
3	1593-601-067-30	TRIM/1X06X570	*	1					
4	1593-601-071-00	SEAL(20X10X130)	*	1					
5	1593-601-072-00	TRIM/1X6X360	*	2					
6	3661-212-001-00	LINING/50	*	1					
7	V210-360-601-60	BOLT(SP)/M6X16	*	6					
8	3610-631-002-00	HANGER,SUPPORT	*	2					
9	V211-260-801-20	BOLT,SEMS (S) M8X12	*	2					
10	1593-601-009-00	NET/100X388	*	1					
11	1593-601-072-00	TRIM/1X6X360	*	2					
12	4301-210-002-00	BOLT (S/N6X16)	*	2					
13	1593-601-015-00	INSULATOR/HOOD	*	3					
14	1631-601-001-10	COVER/FRONT/MESH	*	1			7F		
15	V350-160-006-00	NUT,SPEED/P6	*	7					
16	1631-601-011-00	COVER/SIDE/RH	*	1					
17	1631-601-012-00	COVER/SIDE/RH	*	1					
18	1608-601-001-00	COVER/FRONT/LH	*	1					
18A	1608-601-001-10	COVER/FRONT/LH	*	1	-302656		1		
19	V120-376-001-60	SCREW/SP	*	3	302657-				
20	1527-604-002-00	CLIP(B)	*	1	302657-				
21	V411-260-008-00	WASHER,PL/M 8	*	1	302657-				
22	1608-601-003-00	COVER/FRONT/C	*	1					
23	1608-601-002-00	COVER/FRONT/RH	*	1	-302656				
23A	1608-601-002-10	COVER/FRONT/RH	*	1	302657-		1		
24	V120-376-001-60	SCREW/SP	*	3					
25	1527-604-002-00	CLIP(B)	*	1	302657-				
26	V411-260-008-00	WASHER,PL/M 8	*	1	302657-				
27	1593-601-300-00	COVER/LOWER ASSY	*	1					
28	1593-601-524-10	NET,LOWER COVER/LH	*	1					

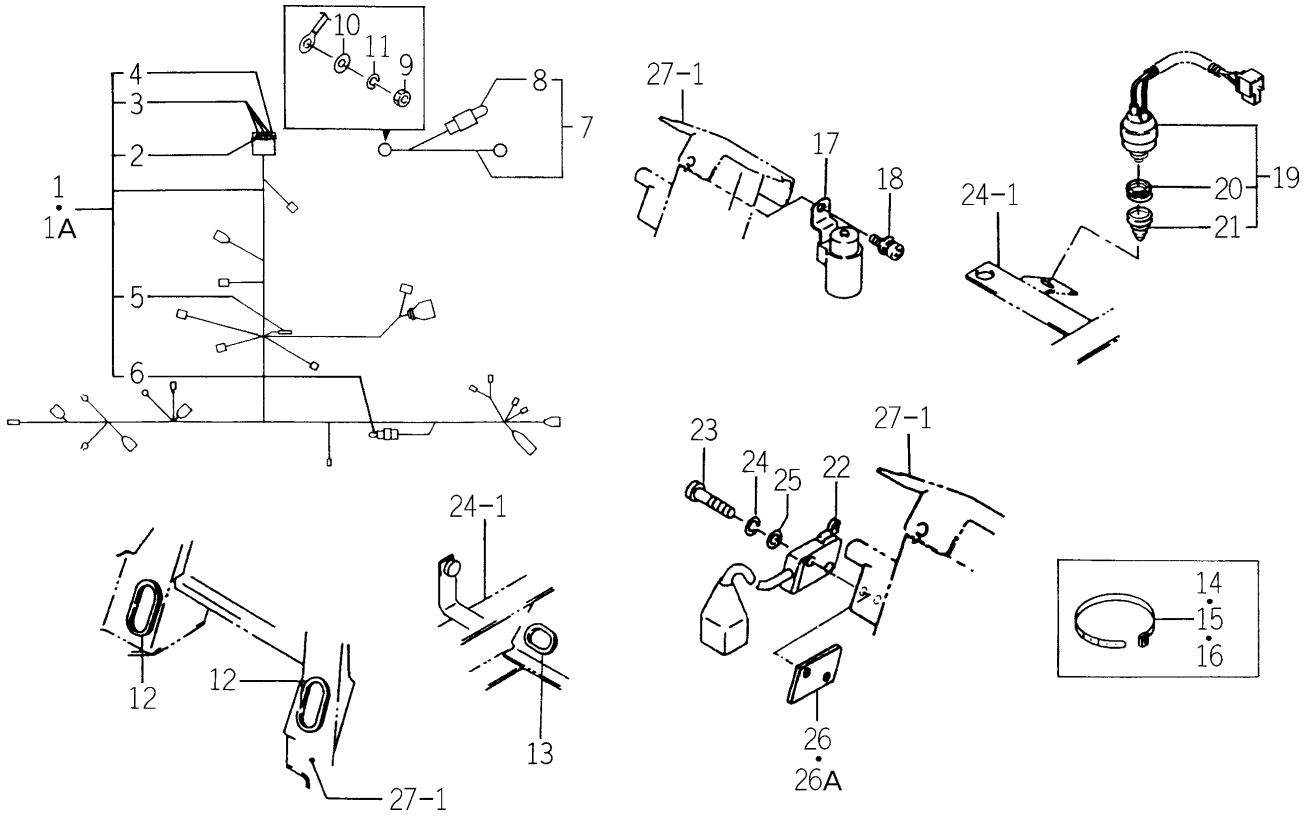
FIG. 43 HARNESS SYSTEM (EXCEPT S TYPE)



1608-623B-0100

KEY	PART CODE	DESCRIPTION	S P C	TYPE OF MODEL		I T C	C O L	G R P	REMARKS
				SG173H					
1	1608-623-200-00	HARNESS/MAIN ASSY	*	1	-302396				
1A	1608-623-200-10	HARNESS/MAIN ASSY	*	1	302397-	1			
2	1575-623-009-00	FUSE/32V03A	*	1					
3	1575-623-010-00	FUSE/32V10A	*	3					
4	1593-623-503-00	CAP,FUSE BOX	*	1					
5	1593-623-504-00	SHORT COUPLER/REAR/P	*	1					
6	1593-623-002-00	GROMMET/150	*	2					
7	1593-623-001-00	GROMMET	*	1					
8	1593-623-003-00	BAND	*	2					
9	3737-172-010-00	BAND/202	*	15					
10	3746-185-014-00	BAND,HOSE	*	2					
11	1581-621-290-00	RELAY/4P	*	1					
12	V120-366-001-60	SCREW	*	1					
13	1560-664-250-00	SWITCH/PUSH SET	*	1					
14	1560-664-252-00	NUT	*	1					
15	1560-664-253-00	BOOT	*	1					
16	1593-623-520-00	SWITCH,MERIT	*	1					
17	V111-163-002-00	SCREW M3X20	*	2					
18	V401-160-003-00	WASHER,SP/M 3	*	2					
19	V411-260-003-00	WASHER/M3	*	2					
20	3664-276-001-00	PLATE/IRX13X35	*	1	-302677				
20A	3642-496-007-10	PLATE,SWITCH	*	1	302678-				

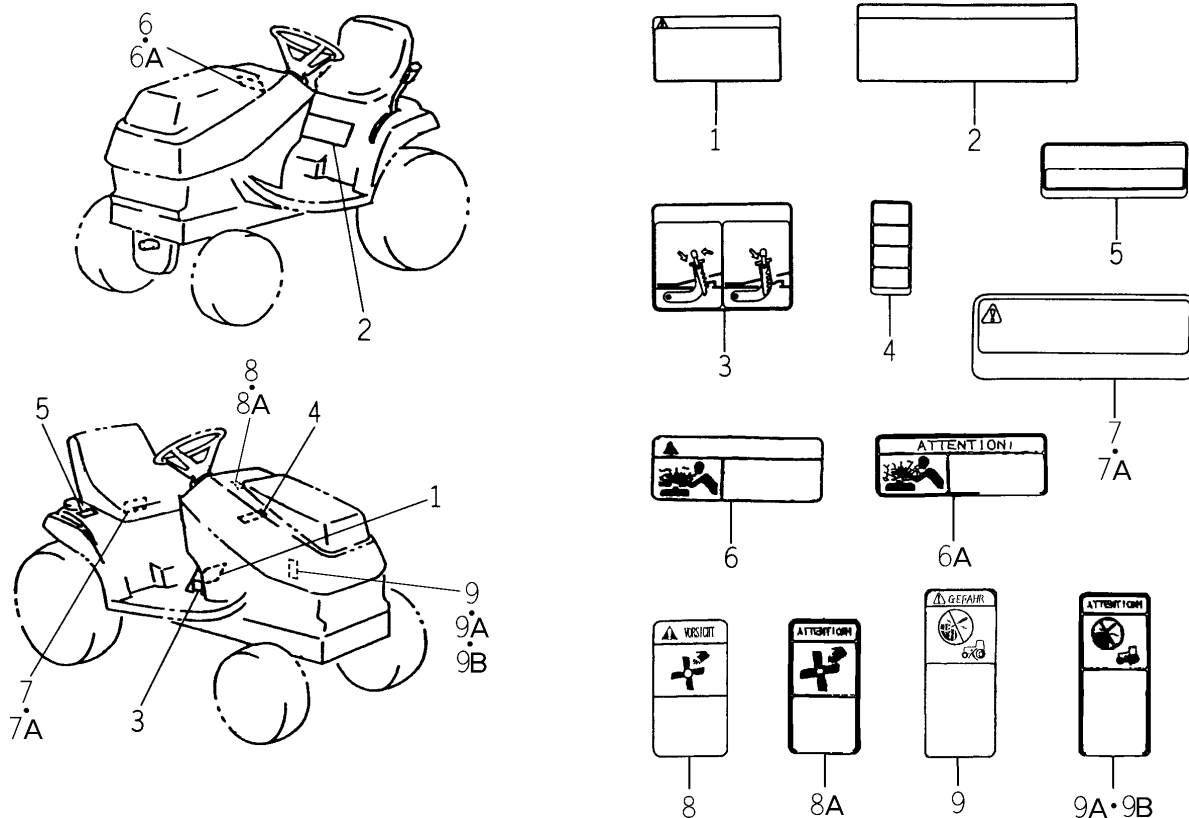
FIG. 44 HARNESS SYSTEM (S TYPE)



1608-623C-0100

KEY	PART CODE	DESCRIPTION	S P C	TYPE OF MODEL		I T C	C O L	G R P	REMARKS
				SG173H					
1	1608-623-210-00	HARNESS/MAIN/S ASSY	*	1					
1A	1608-623-210-10	HARNESS/MAIN/S ASSY	*	1		1			
2	1575-623-009-00	FUSE/32V03A	*	1					
3	1575-623-010-00	FUSE/32V10A	*	3					
4	1593-623-503-00	CAP,FUSE BOX	*	1					
5	3650-262-202-00	DIODE/3.0A	*	1					
6	1593-623-504-00	SHORT COUPLER/REAR/P	*	1					
7	1593-623-610-00	HARNESS/GENERATOR	*	1					
8	3650-261-261-00	LINK,FUSIBLE	*	1					
9	V301-260-006-00	NUT/M 6	*	1					
10	V411-260-006-00	WASHER / M6	*	1					
11	V401-160-006-00	WASHER,SP/M 6	*	1					
12	1593-623-002-00	GROMMET/150	*	2					
13	1593-623-001-00	GROMMET	*	1					
14	1593-623-003-00	BAND	*	3					
15	3737-172-010-00	BAND/202	*	15					
16	3746-185-014-00	BAND,HOSE	*	3					
17	1581-621-290-00	RELAY/4P	*	1					
18	V120-366-001-60	SCREW	*	1					
19	1560-664-250-00	SWITCH/PUSH SET	*	1					
20	1560-664-252-00	NUT	*	1					
21	1560-664-253-00	BOOT	*	1					
22	1593-623-520-00	SWITCH,MERIT	*	1					
23	V111-163-002-00	SCREW M3X20	*	2					
24	V401-160-003-00	WASHER,SP/M 3	*	2					
25	V411-260-003-00	WASHER/M3	*	2					
26	3664-276-001-00	PLATE/IRX13X35	*	1					
26A	3642-496-007-10	PLATE,SWITCH	*	1					

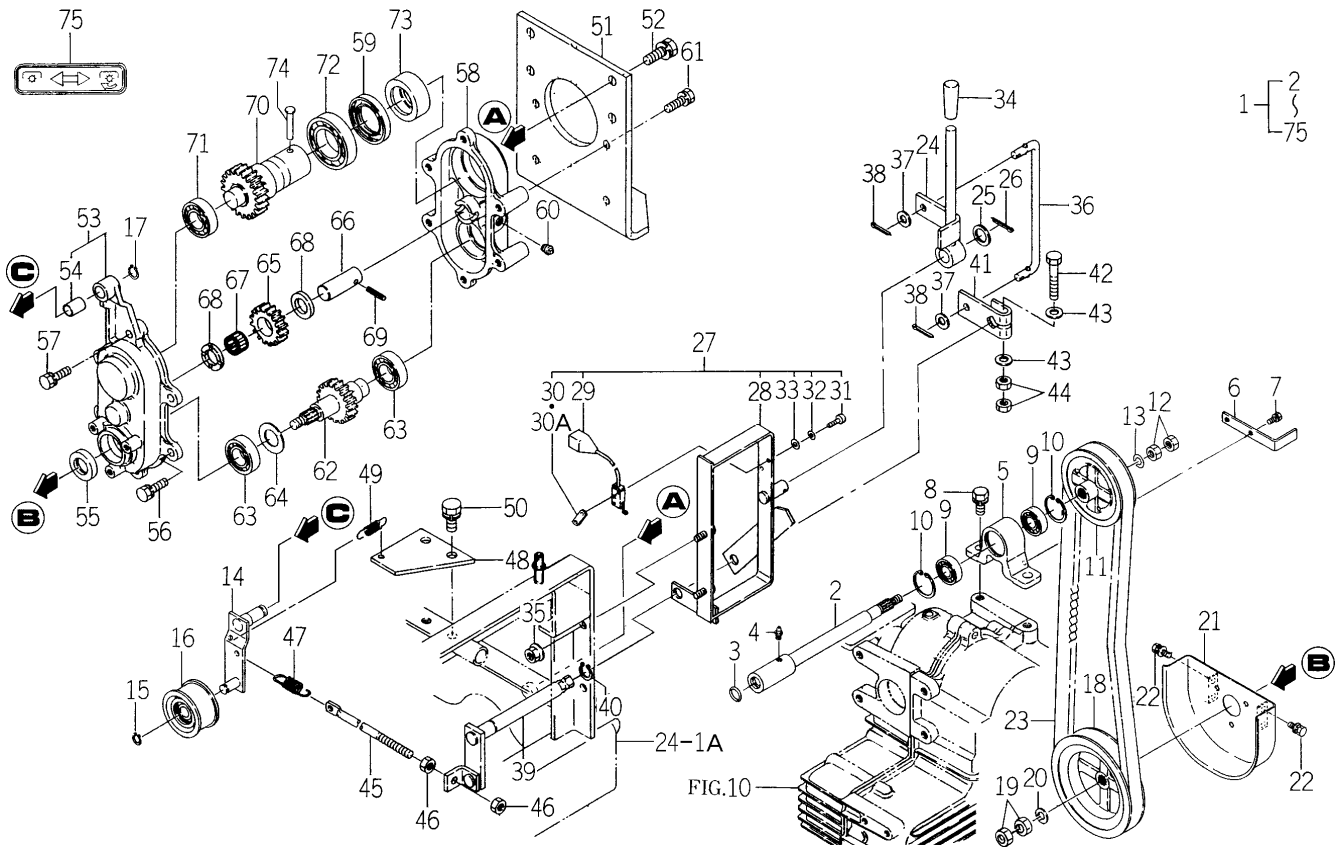
FIG. 48 LABEL (FRENCH) (E50 TYPE EXCEPT T)



1608-905A-0100

KEY	PART CODE	DESCRIPTION	S P C	TYPE OF MODEL		I T C	C O L	G R P	REMARKS
				SG173H					
1	1593-905-001-00	LABEL, CAUTION/F	*	1					
2	1608-905-002-00	LABEL/OPERATION/F	*	1					
3	1593-905-012-00	LABEL/PARKING/F	*	1					
4	1608-905-006-00	LABEL(FUSE/F)	*	1					
5	1427-934-013-00	MARK, FUEL/FR	*	1					
6	1640-903-013-00	LABEL/W/RADIATOR	*	1					
6A	1640-903-013-10	LABEL/W/RADIATOR/F	*	300490- 300491-		3			
7	1640-903-016-00	LABEL/D/BATTERY	*	1					
7A	1640-903-016-10	LABEL/D/BATTERY/F	*	300490- 300491-		3			
8	1640-903-006-00	LABEL/W/FAN	*	1					
8A	1640-903-006-10	LABEL/W/FAN/F	*	300490- 300491-		3			
9	1640-903-015-00	LABEL/D/STARTER	*	1					
9A	1640-903-015-10	LABEL/D/STARTER/F	*	300490- 300565-		3			
9B	1640-903-015-20	LABEL/D/STARTER/F	*	1		1			

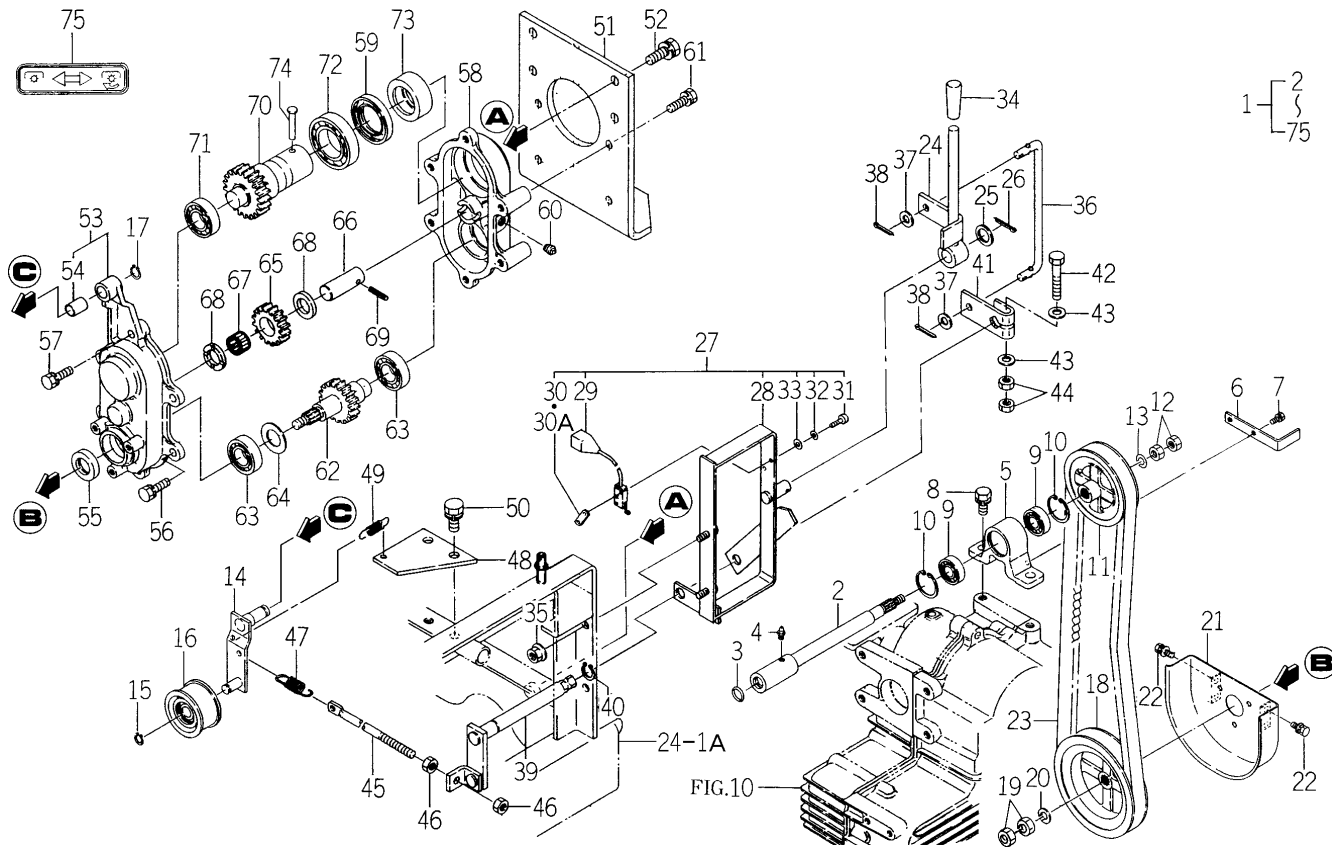
FIG. 54 REAR PTO SYSTEM (OPTION)



1608-341B-0101

KEY	PART CODE	DESCRIPTION	S P C	TYPE OF MODEL		I T C	C O L	G R P	REMARKS
				SG173H					
1	1608-341-300-40	PTO/REAR SET	T	1					
2	1608-341-210-30	SHAFT,JOINT/PTO	T	1					
3	V720-102-401-50	O-RING/P15	T	1					
4	V760-150-000-00	NIPPLE,GREASE	T	1					
5	1608-341-001-20	METAL/PTO	T	1					
6	1608-341-026-00	PLATE(L/16X101)	T	1					
7	V210-260-601-20	BOLT/S	T	2					
8	V211-561-002-00	BOLT/M10X20	T	2					
9	V600-150-620-20	BEARING,RB/6202SS	T	2					
10	V705-140-035-00	RING,CIRCLIP	T	2					
11	1608-341-003-20	PULLEY/VC100	T	1					
12	V334-460-010-00	NUT/M10 7T P=1.25	T	2					
13	V401-160-010-00	WASHER,SP/M10	T	1					
14	1608-341-220-20	ARM,TENTION COMP	T	1					
15	V704-140-012-00	RING,SNAP/12 C	T	1					
16	3737-122-001-00	PULLEY,TENSION	T	1					
17	V704-140-015-00	RING,SNAP/15 C	T	1					
18	1608-341-006-10	PULLEY(VC135)	T	1					
19	V334-460-010-00	NUT/M10 7T P=1.25	T	2					
20	V401-160-010-00	WASHER,SP/M10	T	1					
21	1608-341-330-00	COVER (BELT)	T	1					
22	V210-360-601-20	BOLT,SEMS	T	4					
23	1608-341-008-00	BELT/VC-31	T	1					
24	1608-341-230-20	LEVER (PTO)	T	1					
25	3517-205-007-00	WASHER	T	1					
26	V500-163-002-50	PIN,SPLIT/3 X25	T	1					
27	1608-341-270-00	STAY/LEVER ASSY	T	1					
28	1608-341-240-30	STAY/LEVER COMP	T	1					
29	1593-623-520-00	SWITCH,MERIT	T	1					
30	3664-276-001-00	PLATE/IRX13X35	T	1					

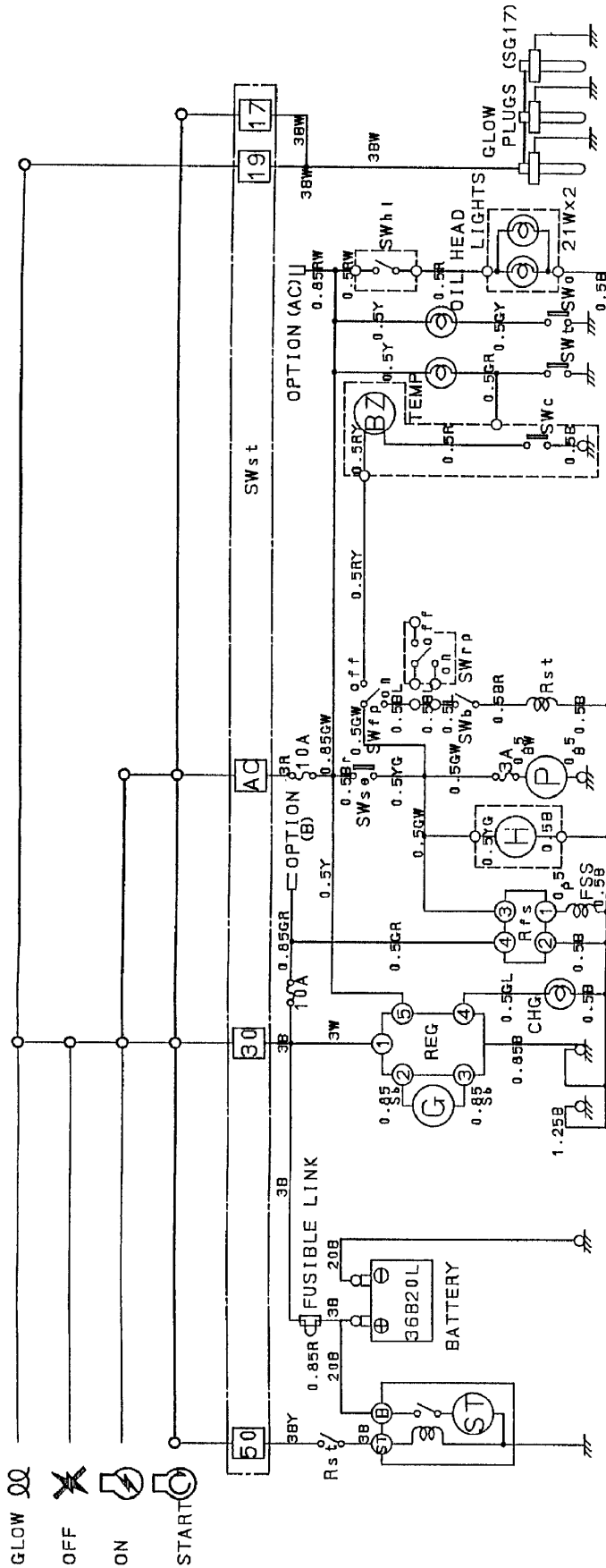
FIG. 54 REAR PTO SYSTEM (OPTION)



1608-341B-0101

KEY	PART CODE	DESCRIPTION	S P C	TYPE OF MODEL		I T C	C O L	G R P	REMARKS
				SG173H	302678-				
30A	3642-496-007-10	PLATE,SWITCH	T	1					
31	V111-163-002-00	SCREW M3X20	T	2					
32	V401-160-003-00	WASHER,SP/M 3	T	2					
33	V411-260-003-00	WASHER/M3	T	2					
34	4106-105-303-00	KNOB	T	1					
35	V363-260-008-00	NUT/WASHER	T	2					
36	1608-341-023-00	ROD(REAR PTO)	T	1					
37	V411-260-008-00	WASHER,PL/M 8	T	2					
38	V500-162-501-50	PIN,SPLIT/2.5X15	T	2					
39	1608-341-260-30	SHAFT COMP	T	1					
40	V704-140-015-00	RING,SNAP/15 C	T	1					
41	1608-341-021-10	ARM (40)	T	1					
42	V201-260-805-00	BOLT/M 8X50	T	1					
43	V411-260-008-00	WASHER,PL/M 8	T	2					
44	V304-260-008-00	NUT	T	2					
45	3728-552-008-00	TRIGGER,TENSION	T	1					
46	V304-260-008-00	NUT	T	2					
47	1337-401-006-00	SPRING	T	1					
48	1608-341-025-10	PLATE(RETURN)	T	1					
49	1415-125-021-00	SPRING,TENSION/46	T	1					
50	V211-561-002-00	BOLT/M10X20	T	2					
51	1593-342-001-00	PLATE/170X215	T	1					
52	V211-261-002-50	BOLT(S) M10X25	T	4					
53	1608-341-200-00	CASE(PTO/FRONT)	T	1					
54	1608-341-027-00	BUSH(12X14X20)	T	1					
55	V744-120-350-70	SEAL,OIL/TC20357	T	1					
56	V211-260-802-00	BOLT/S	T	5					
57	V211-260-803-00	BOLT,SEMS	T	1					
58	1608-341-012-00	CASE(PTO/RAER)	T	1					
59	V744-135-550-80	SEAL,OIL/TC35558	T	1					

WIRING DIAGRAM/SG173

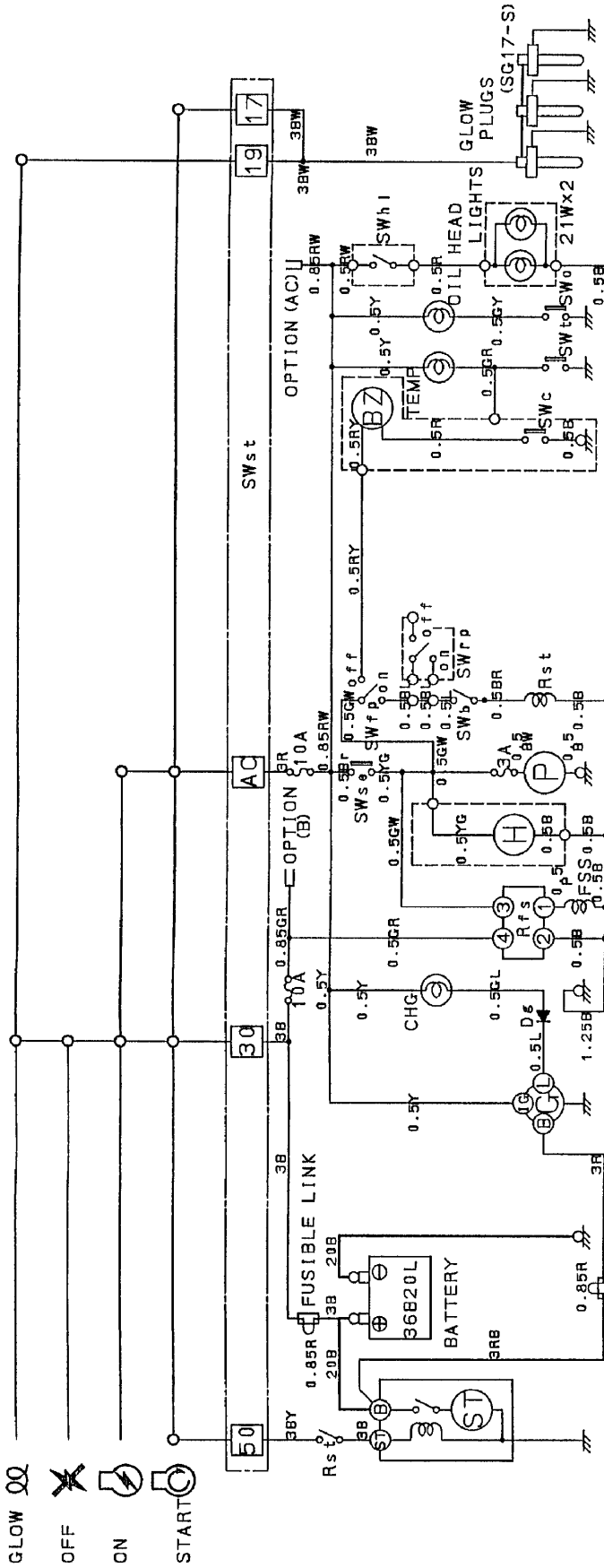


B	Black and white	G	Green and white
BW	Black and red	GW	Green and red
BR	Black and blue	GR	Green and blue
BL	Black and yellow	GL	Green and yellow
BY	White	P	Pink
W	Red	Br	Brown
R	Red and white	Sb	Skyblue
RY	Red and yellow		
L	Blue		
Y	Yellow		
YG	Yellow and green		

ST	: Starter (0.8kW)
G	: Generator (8.5A)
H	: Hour meter
P	: Pump
BZ	: Buzzer
Rst	: Starter relay
Rfs	: Fuel shut-off relay
SWst	: Starter switch
SWse	: Seat switch
SWfp	: Front PTO switch
SWrp	: Rear PTO switch
SWb	: Brake switch
SWc	: Collector switch
SWt	: Temperature switch
SWo	: Oil pressure switch
SWhl	: Head lights switch
FSS	: Fuel shut-off solenoid
CHG	: Charge lamp (3.4W)
TEMP	: Temperature lamp (3.4W)
OIL	: Oil pressure lamp (3.4W)

Switch connection	
SWse: On	: Sit on the seat
SWfp: On	: Disengage the front PTO
SWrp: On	: Disengage the rear PTO
SWb: On	: Depress the brake pedal
SWc: On	: Fill the collector with grass
SWt: On	: At the over heated
SWo: On	: At the low oil pressure
SWhl: On	: The lever turns up
Optional parts	

WIRING DIAGRAM/SG173/S



B	Black and White	YG	Yellow and green
BW	Black and red	G	Green
BR	Black and blue	GW	Green and white
BL	Black and yellow	GR	Green and red
BY	Black and blue	GL	Green and blue
W	White	P	Pink
R	Red	Br	Brown
RB	Red and black	Sb	Skyblue
RW	Red and white		
RY	Red and yellow		
L	Blue		
Y	Yellow		

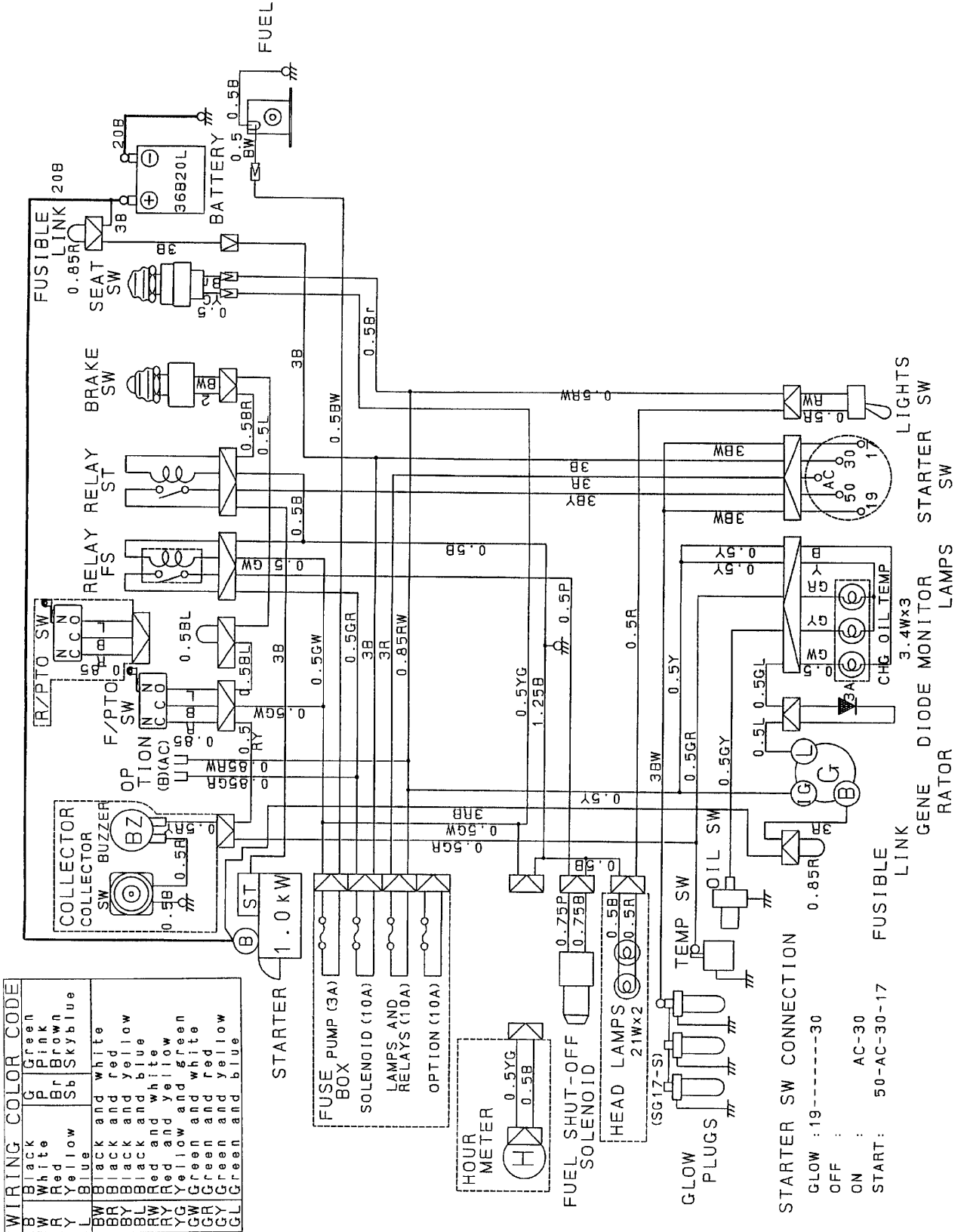
Switch connection

SWse: On : Sit on the seat
 SWfp: On : Disengage the front PTO
 SWrp: On : Disengage the rear PTO
 SWb : On : Depress the brake pedal
 SWc : On : Fill the collector with grass
 SWo : On : At the over heated
 SWh : On : The lever turns up

----- Optional parts

- ST : Starter (1kW)
- G : Generator (30A)
- H : Hour meter
- P : Pump
- BZ : Buzzer
- Rst : Starter relay
- Rfs : Fuel shut-off relay
- SWst: Starter switch
- SWse: Seat switch
- SWfp: Front PTO switch
- SWrp: Rear PTO switch
- SWb : Brake switch
- SWc : Collector switch
- SWt : Temperature switch
- SWo : Oil pressure switch
- SWh : Head lights switch
- FSS : Fuel shut-off solenoid
- CHG : Charge lamp (3.4W)
- TEMP: Temperature lamp (3.4W)
- OIL : Oil pressure lamp (3.4W)
- D₅ : Diode

REAL WIRING DIAGRAM/SG173/S



Numerical Index

6003-097-140-10

Part Code	Fig. Key	Part Code	Fig. Key	Part Code	Fig. Key
6211-110-011-40	1 1	6209-580-002-10	22 28	6211-258-001-00	5 8
1373-121-001-00	25 5	6209-587-001-00	14 4		28 8
	26 5	6209-600-004-00	10 24-A	6211-258-002-00	5 9
3625-301-002-00	7 2	6209-600-006-00	7 2-B		28 9
3625-540-004-00	10 21	6209-605-004-00	1 3	6211-291-001-10	5 23
3747-172-012-00	19 31	6209-605-004-10	1 3-A	6211-292-001-20	5 24
3748-172-007-00	27 8	6209-610-001-00	5 3		28 11
3805-355-002-10	7 2-A	6209-610-001-10	5 3-A	6211-310-006-20	10 1
3805-355-002-20	7 2-C	6209-610-002-10	10 4	6211-310-006-30	10 1-A
3817-401-001-00	10 12	6209-610-008-00	5 7-A	6211-311-004-20	10 35
	12 20	6209-610-009-00	5 4-A	6211-311-004-30	10 35-A
	18 14	6209-625-001-00	5 14	6211-311-004-40	10 35-B
	18 19		28 10	6211-312-001-20	10 27
	19 14	6209-625-002-00	10 5	6211-312-001-30	10 27-A
	19 19		28 12		28 14
6209-000-002-00	12 18	6209-625-012-00	5 14-A	6211-312-002-20	10 36
6209-000-003-00	1 7		28 10-A	6211-312-002-30	10 36-A
6209-000-004-10	5 2	6209-630-002-10	27 6		28 15
6209-000-013-00	16 7		28 22	6211-319-002-00	10 38
6209-000-043-00	16 10-A	6209-730-005-00	13 3-A	6211-321-001-10	10 48
6209-000-044-00	1 7-A		22 10-A	6211-322-003-00	10 49
6209-030-041-00	20 4	6209-730-006-00	16 4-A	6211-340-001-30	8 1
6209-030-043-00	22 16	6209-740-001-00	10 26	6211-340-002-30	9 1
6209-044-001-00	22 25	6209-749-001-10	5 15	6211-342-001-30	8 2
6209-046-015-00	16 7-A		10 41		9 2
6209-050-001-00	10 32	6209-749-001-20	5 15-A	6211-361-010-10	7 1
6209-050-002-00	10 33		10 41-A	6211-510-001-00	5 10
6209-056-001-00	22 7	6209-788-001-00	5 27	6211-511-003-00	5 11
6209-300-002-00	18 17	6209-920-002-00	10 20	6211-511-004-00	5 12
	19 17		17 14-A	6211-540-001-00	6 1
6209-300-014-00	1 8-A		28 13	6211-560-001-00	6 3
6209-360-010-00	23 2	6209-940-004-00	12 14	6211-599-001-10	5 13
6209-360-028-10	2 6	6211-110-063-10	1 1-A		6 2
6209-409-001-00	10 18	6211-110-063-20	1 1-B		6 4
6209-409-003-00	12 17	6211-110-063-30	1 1-C	6211-751-001-10	2 2
6209-440-003-00	14 7	6211-141-007-30	1 6	6211-760-003-10	5 29
6209-490-002-00	2 4		28 3	6211-777-007-20	11 1
6209-490-002-10	2 4-A	6211-141-007-40	1 6-A	6211-777-007-30	11 1-A
6209-500-003-00	10 16		28 3-A	6212-111-010-10	14 1
	10 25	6211-170-004-10	2 1	6212-111-010-20	14 1-A
	28 23	6211-170-004-20	2 1-A	6212-114-010-10	15 1
6209-572-002-00	2 5-A	6211-173-003-00	2 3	6212-114-010-20	15 1-A
	28 5-A		28 4	6212-116-010-10	15 3
6209-572-003-00	2 5-B	6211-210-014-20	5 1	6212-116-010-20	15 3-A
	28 5-B	6211-210-014-30	5 1-A	6212-121-005-00	14 2

Numerical Index

6003-097-140-10

Part Code	Fig. Key	Part Code	Fig. Key	Part Code	Fig. Key
6212-121-005-10	14 2-A	6212-552-001-00	12 2	6213-240-002-10	17 15-A
6212-121-005-20	14 2-B	6212-552-001-10	12 2-A	6213-311-003-10	17 12
6212-124-005-00	15 2	6212-552-001-20	12 2-B	6213-319-001-00	10 2
6212-124-005-10	15 2-A	6212-552-014-00	12 2-C	6213-610-005-30	18 1
6212-126-005-00	15 4	6212-561-001-00	12 3	6213-610-005-40	19 1
6212-126-005-10	15 4-A	6212-561-001-10	12 3-A	6213-611-003-20	18 2
6212-211-001-10	14 3	6212-563-001-00	12 4		19 2
6212-230-003-00	14 5	6212-565-001-00	12 5	6213-612-004-00	18 9
6212-230-003-10	14 5-A	6212-569-002-00	1 4		19 9
6212-235-001-00	14 6		28 2	6213-613-002-10	18 8
6212-235-001-10	14 6-A	6212-571-001-10	12 6		19 8
6212-235-005-00	14 6-B	6212-571-003-00	12 6-A	6213-614-003-10	18 12
6212-261-006-00	14 8	6212-571-006-00	12 6-B		19 12
6212-271-006-00	14 8-A	6212-575-001-00	12 7		28 18
6212-271-016-00	14 8-B	6212-600-002-00	12 8	6213-614-006-10	18 16
6212-274-016-00	6 5	6212-600-002-10	12 8-A		19 16
6212-276-016-00	6 6	6212-611-004-10	12 9		28 19
6212-310-008-00	16 1	6212-616-002-00	12 16	6213-619-002-00	18 11
6212-310-008-10	16 1-A	6212-620-001-10	12 10		19 11
6212-310-008-20	16 1-B	6212-620-001-20	12 10-A	6213-619-003-00	18 10
6212-310-008-30	16 1-C	6212-626-002-10	12 11		19 10
6212-310-008-50	16 1-D	6212-628-004-00	12 12	6213-619-005-00	18 15
6212-330-013-30	16 5	6212-628-005-00	12 13		19 15
6212-333-001-00	16 6	6213-100-003-20	17 1	6213-621-003-00	18 6
6212-333-003-00	16 6-A	6213-100-003-30	17 1-A		19 6
6212-371-014-20	16 8	6213-111-001-20	17 2	6213-622-002-10	18 5
6212-379-001-00	16 9	6213-111-001-30	17 2-A		19 5
6212-511-002-00	13 1	6213-119-001-00	17 6	6213-631-002-00	18 3
6212-521-002-00	16 3	6213-120-003-00	17 3		19 3
6212-521-008-00	16 3-A	6213-120-003-20	17 3-A	6213-631-005-00	18 4
6212-522-003-00	13 2	6213-125-001-00	17 4		19 4
6212-522-010-00	13 2-A	6213-129-003-00	17 5-A	6213-641-004-00	20 2
6212-523-003-00	13 6	6213-129-005-00	5 17	6213-641-004-10	20 2-A
6212-523-023-00	13 6-A	6213-129-006-00	5 16	6213-642-002-00	18 7
6212-524-002-00	22 9	6213-140-002-00	17 8		19 7
6212-524-002-10	22 9-A	6213-140-002-10	17 8-A	6213-660-006-00	20 1
6212-524-002-20	22 9-B	6213-149-001-00	17 10	6213-669-002-00	20 3
6212-530-004-00	10 45	6213-160-002-00	10 28	6213-671-012-00	20 5
6212-530-004-10	10 45-A	6213-160-002-10	10 28-A	6213-674-004-10	25 3
6212-531-005-10	5 6	6213-160-002-20	10 28-B	6213-674-004-20	25 3-A
6212-535-001-00	13 4	6213-161-001-00	10 29		26 3
6212-535-002-00	22 13	6213-161-001-10	10 29-A	6213-711-003-20	18 28
6212-551-001-00	12 1	6213-161-001-20	10 29-B		19 28
6212-551-001-10	12 1-A	6213-164-001-00	10 30	6213-716-001-40	18 22
6212-551-028-00	12 1-B	6213-240-002-00	17 15		19 22

Numerical Index

6003-097-140-10

Part Code	Fig. Key	Part Code	Fig. Key	Part Code	Fig. Key
6213-716-001-50	19 22-A	6215-345-046-00	31 4	6215-542-001-10	10 22
6213-721-001-00	5 22	6215-345-047-00	29 8	6215-542-002-00	22 20
6213-721-003-00	18 23		30 7	6215-543-001-10	22 19
	19 23		31 5	6215-546-001-00	10 17
6213-729-001-00	18 20	6215-345-048-00	29 9	6215-549-001-10	5 26
6213-729-013-10	19 20		30 8	6215-549-003-00	22 22
6213-743-002-10	18 24		31 6	6215-549-007-00	22 30
	19 24	6215-345-049-00	29 10	6215-549-007-10	22 30-A
	28 20		30 9	6215-549-008-00	22 34
6214-111-011-20	3 1		31 7	6215-549-008-10	22 34-A
6214-115-001-20	3 2	6215-345-050-00	29 11	6215-549-021-00	22 29
	28 6		30 10	6215-549-021-10	22 29-A
6214-141-022-00	4 1		31 8	6215-549-029-00	24 2
6214-145-001-30	4 2	6215-345-051-00	29 12	6215-600-088-00	22 1
	28 7		30 11	6215-600-088-10	22 1-A
6215-300-005-00	21 1		31 9	6215-600-088-20	22 1-B
6215-300-030-00	21 1-A	6215-345-052-00	29 13	6215-611-002-00	32 1
6215-300-037-00	21 1-B		30 12	6215-612-016-00	32 34
6215-311-005-00	29 1		31 10	6215-619-012-00	32 35
	30 18	6215-345-053-00	29 14	6215-619-013-00	32 37
	31 16		30 13	6215-619-014-00	32 38
6215-315-002-00	21 2		31 11	6215-619-015-00	32 39
6215-330-007-00	29 2	6215-355-003-00	29 18	6215-619-016-00	32 40
6215-330-021-00	30 1	6215-359-003-00	29 17	6215-619-017-00	32 41
6215-330-022-00	31 1		30 16	6215-619-026-00	32 41-A
6215-332-002-00	29 16		31 17	6215-621-006-10	22 8
	30 15	6215-359-004-00	29 19	6215-621-006-20	22 8-A
6215-332-006-00	31 15		30 17	6215-622-002-00	32 12
6215-339-002-00	29 15		31 18	6215-629-017-00	32 13
	30 14	6215-410-035-10	21 3	6215-629-018-00	32 14
6215-339-004-00	31 14	6215-410-036-10	21 4	6215-629-020-00	32 18
6215-342-002-00	29 3	6215-410-057-00	21 5	6215-629-021-00	32 19
	30 2	6215-411-074-10	23 2-A	6215-629-022-00	32 20
	31 13	6215-411-111-00	21 3-A	6215-629-023-00	32 21
6215-343-002-00	29 4	6215-411-112-00	21 4-A	6215-629-024-00	32 22
	30 3	6215-411-113-00	21 5-A	6215-629-025-00	32 23
	31 12	6215-412-001-20	23 1	6215-629-026-00	32 24
6215-345-044-00	29 5	6215-520-001-00	22 15	6215-629-027-00	32 25
	30 4	6215-526-001-10	22 17	6215-629-028-00	32 26
	31 2	6215-526-004-00	22 17-A	6215-629-029-00	32 27
6215-345-045-00	29 6	6215-531-005-00	22 23	6215-629-030-00	32 28
	30 5	6215-541-001-00	22 18	6215-629-031-00	32 29
	31 3	6215-541-001-10	22 18-A	6215-629-032-00	32 30
6215-345-046-00	29 7	6215-541-002-10	24 1	6215-629-033-00	32 31
	30 6	6215-541-003-10	22 24	6215-629-034-00	32 32

Numerical Index

6003-097-140-10

Part Code	Fig. Key	Part Code	Fig. Key	Part Code	Fig. Key
6215-631-004-00	32 2	6281-124-001-00	33 6	6281-229-023-00	35 7
6215-634-002-00	32 15	6281-124-011-00	34 6	6281-229-024-00	35 8
6215-635-002-00	32 8	6281-127-003-00	34 19	6281-229-025-00	35 9
6215-635-003-00	32 36	6281-129-006-00	33 17	6281-229-025-10	35 9-A
6215-635-008-00	32 36-A	6281-129-007-00	33 7	6281-229-026-00	35 10
6215-637-008-00	32 33	6281-129-008-00	33 18	6281-229-027-00	35 11
6215-639-006-00	32 16	6281-129-009-00	33 19	6281-229-028-00	35 12
6215-639-007-00	32 17	6281-129-010-00	33 4	6281-229-031-00	35 4
6215-641-002-00	32 3	6281-129-011-00	33 5	6281-270-001-00	25 2
6215-643-003-00	32 4	6281-129-019-00	33 21		26 2
6215-644-003-00	32 6	6281-129-029-00	34 29	6281-270-001-10	26 2-A
6215-649-003-00	32 5	6281-129-030-00	34 28	6281-270-001-20	26 2-B
6215-649-004-00	32 7	6281-129-043-00	34 30	6281-410-002-20	27 3
6215-649-004-10	32 7-A	6281-129-058-00	34 9	6281-410-010-00	27 3-A
6215-649-005-00	32 9	6281-129-062-00	34 33	6281-410-023-00	27 3-B
6215-649-006-00	32 10	6281-129-064-00	34 7	6281-910-001-00	27 5
6215-649-006-10	32 10-A	6281-129-065-00	34 12	6281-920-001-00	27 9
6215-649-007-00	32 11	6281-129-066-00	34 13	6281-971-001-10	27 1
6219-732-002-00	27 4	6281-129-067-00	34 14	6287-810-004-30	28 1
6219-732-016-00	27 4-A	6281-129-068-00	34 15	6294-453-002-00	5 20-A
6219-732-017-00	27 4-B	6281-129-069-00	34 16	6509-360-912-10	23 3
6219-752-001-00	22 2	6281-129-070-00	34 17	6509-605-019-10	5 5
6219-752-002-00	22 3	6281-129-071-00	34 18		10 3
6219-752-003-00	22 4	6281-129-072-00	34 21	6513-770-022-10	18 27
6219-752-004-00	22 5	6281-129-073-00	34 22		19 27
6219-752-005-00	22 6	6281-129-074-00	34 23	6515-419-014-00	23 4
6219-752-040-00	22 4-A	6281-129-075-00	34 24	6581-117-007-00	33 10
6219-752-041-00	22 2-A	6281-129-076-00	34 25	6581-123-011-00	33 12
6219-752-042-00	22 5-A	6281-129-077-00	34 26	6581-129-092-00	33 15
6219-752-043-00	22 6-A	6281-129-078-00	34 27	6581-129-096-00	33 16
6281-100-003-00	25 8	6281-129-079-00	34 34	6581-129-099-00	33 13
6281-100-003-10	25 8-A	6281-129-080-00	34 8	6581-129-100-00	33 14
6281-100-014-00	26 8	6281-151-004-00	33 8	6582-450-014-00	27 2
6281-111-002-00	33 1	6281-151-004-10	33 8-A	6894-453-344-00	5 20
6281-111-009-00	34 1	6281-151-014-00	34 20	6901-066-645-00	16 10
6281-115-004-00	33 11	6281-200-007-00	25 1	6901-910-612-00	13 5
6281-115-017-00	34 10		26 1		22 14
6281-115-018-00	34 11	6281-211-004-00	35 2	6901-910-625-00	17 7
6281-116-002-00	33 2	6281-213-008-00	35 1	6901-910-816-00	8 4
6281-117-003-00	34 4	6281-213-016-10	35 1-A		9 4
6281-118-001-00	33 9	6281-214-006-00	35 13	6901-911-020-00	8 3
6281-118-007-00	34 3	6281-222-007-00	35 3		9 3
6281-119-009-00	34 2	6281-222-010-10	35 3-A	6901-911-025-00	25 9
6281-121-003-00	33 3	6281-229-021-00	35 5		26 9
6281-121-010-00	34 5	6281-229-022-00	35 6	6902-050-816-00	10 37

Numerical Index

6003-097-140-10

Part Code	Fig. Key	Part Code	Fig. Key	Part Code	Fig. Key
6904-110-818-00	5 19	V231-360-802-00	25 4	V723-102-005-50	18 29
6904-110-840-00	5 18		26 4		19 29
6908-000-716-00	13 3	V231-360-802-50	18 30		28 21
	22 10		19 30		
6908-000-750-00	16 4	V231-360-803-00	10 15		
6908-160-408-00	17 5	V231-360-803-50	10 11		
6908-161-018-00	16 2	V231-360-804-00	3 4		
6909-110-406-00	5 28		10 10		
	10 34		10 44		
	22 31	V231-360-804-50	10 14		
6909-110-408-00	33 23		10 43		
	34 32		18 13		
6909-110-410-00	25 7		19 13		
	26 7	V231-360-805-00	10 9		
6909-111-406-00	22 26		10 42		
6909-111-508-00	33 20		12 19		
6909-150-508-00	33 22	V231-360-805-50	10 8		
	34 31	V231-360-807-50	10 7		
6909-202-308-00	10 24		18 26		
6909-572-008-00	2 5		19 26		
	28 5	V231-360-808-50	10 6		
6909-830-212-00	1 8	V233-361-002-00	11 2		
6909-902-299-00	5 21	V233-361-006-00	25 6		
6909-906-105-10	17 13		26 6		
6909-920-843-00	17 14	V341-120-008-00	10 19		
6911-129-006-00	1 2	V401-160-006-00	22 33		
6911-129-083-00	5 7	V411-260-006-00	22 32		
6911-219-195-00	5 4	V523-101-001-80	16 2-A		
J061-210-015-00	18 21	V600-110-600-20	10 46		
	19 21	V600-110-600-40	22 12		
	19 21-B	V600-110-620-30	10 47		
J062-062-067-00	23 6		22 11		
J062-076-082-00	23 5	V682-200-000-60	1 5		
J062-138-148-00	19 21-A	V704-140-016-00	12 15		
V211-560-802-50	4 3	V705-140-012-00	10 31		
V230-360-601-00	7 4	V705-140-040-00	10 40		
V230-360-601-20	5 25	V710-140-004-00	10 23		
	27 7		22 21		
V231-360-801-60	10 13		24 3		
	17 11	V720-101-900-80	22 27		
V231-360-802-00	3 3	V720-102-401-50	17 9		
	18 18		28 17		
	18 25	V720-102-401-80	7 3		
	19 18	V723-102-004-20	10 39		
	19 25		28 16		

Numerical Index

6003-097-150-10

Part Code	Fig. Key	Part Code	Fig. Key	Part Code	Fig. Key
6211-110-011-40	1 1	6209-587-001-00	14 4	6211-258-002-00	5 9
1373-121-001-00	25 4	6209-600-004-00	10 24-A		28 9
	26 4	6209-600-006-00	7 2-B	6211-291-001-10	5 23
3625-301-002-00	7 2	6209-605-004-00	1 3	6211-292-001-20	5 24
3625-540-004-00	10 21	6209-605-004-10	1 3-A		28 11
3747-172-012-00	19 31	6209-610-001-00	5 3	6211-310-006-20	10 1
3748-172-007-00	27 8	6209-610-001-10	5 3-A	6211-310-006-30	10 1-A
3805-355-002-10	7 2-A	6209-610-002-10	10 4	6211-311-004-20	10 35
3805-355-002-20	7 2-C	6209-610-008-00	5 7-A	6211-311-004-30	10 35-A
3817-401-001-00	10 12	6209-610-009-00	5 4-A	6211-311-004-40	10 35-B
	12 20	6209-625-001-00	5 14	6211-312-001-20	10 27
	18 14		28 10	6211-312-001-30	10 27-A
	18 19	6209-625-002-00	10 5		28 14
	19 14		28 12	6211-312-002-20	10 36
	19 19	6209-625-012-00	5 14-A	6211-312-002-30	10 36-A
6209-000-002-00	12 18		28 10-A		28 15
6209-000-003-00	1 7	6209-630-002-10	27 6	6211-319-002-00	10 38
6209-000-004-10	5 2		28 22	6211-321-001-10	10 48
6209-000-043-00	16 10-A	6209-730-005-00	13 3-A	6211-322-003-00	10 49
6209-000-044-00	1 7-A		22 10-A	6211-340-001-30	8 1
6209-030-041-00	20 4	6209-730-006-00	16 4-A	6211-340-002-30	9 1
6209-030-043-00	22 16	6209-740-001-00	10 26	6211-342-001-30	8 2
6209-044-001-00	22 25	6209-749-001-10	5 15		9 2
6209-046-015-00	16 7		10 41	6211-361-010-10	7 1
6209-050-001-00	10 32	6209-749-001-20	5 15-A	6211-510-001-00	5 10
6209-050-002-00	10 33		10 41-A	6211-511-003-00	5 11
6209-056-001-00	22 7	6209-788-001-00	5 27	6211-511-004-00	5 12
6209-300-002-00	18 17	6209-920-002-00	10 20	6211-540-001-00	6 1
	19 17		17 14-A	6211-560-001-00	6 3
6209-300-014-00	1 8-A		28 13	6211-599-001-10	5 13
6209-360-010-00	23 2	6209-940-004-00	12 14		6 2
6209-360-028-10	2 6	6211-110-063-20	1 1-A		6 4
6209-409-001-00	10 18	6211-110-063-30	1 1-B	6211-751-001-10	2 2
6209-409-003-00	12 17	6211-141-007-30	1 6	6211-760-012-20	5 29
6209-440-003-00	14 7		28 3	6211-760-025-00	5 29-A
6209-490-002-00	2 4	6211-141-007-40	1 6-A	6211-777-007-20	11 1
6209-490-002-10	2 4-A		28 3-A	6211-777-007-30	11 1-A
6209-500-003-00	10 16	6211-170-004-10	2 1	6212-111-010-10	14 1
	10 25	6211-170-004-20	2 1-A	6212-111-010-20	14 1-A
	28 23	6211-173-003-00	2 3	6212-114-010-10	15 1
6209-572-002-00	2 5-A		28 4	6212-114-010-20	15 1-A
	28 5-A	6211-210-014-20	5 1	6212-116-010-10	15 3
6209-572-003-00	2 5-B	6211-210-014-30	5 1-A	6212-116-010-20	15 3-A
	28 5-B	6211-258-001-00	5 8	6212-121-005-00	14 2
6209-580-002-10	22 28		28 8	6212-121-005-10	14 2-A

Numerical Index

6003-097-150-10

Part Code	Fig.	Key	Part Code	Fig.	Key	Part Code	Fig.	Key
6212-121-005-20	14	2-B	6212-552-001-10	12	2-A	6213-311-003-10	17	12
6212-124-005-00	15	2	6212-552-001-20	12	2-B	6213-319-001-00	10	2
6212-124-005-10	15	2-A	6212-552-014-00	12	2-C	6213-610-005-30	18	1
6212-126-005-00	15	4	6212-561-001-00	12	3	6213-610-005-40	19	1
6212-126-005-10	15	4-A	6212-561-001-10	12	3-A	6213-611-003-20	18	2
6212-211-001-10	14	3	6212-563-001-00	12	4		19	2
6212-230-003-00	14	5	6212-565-001-00	12	5	6213-612-004-00	18	9
6212-230-003-10	14	5-A	6212-569-002-00	1	4		19	9
6212-235-001-00	14	6		28	2	6213-613-002-10	18	8
6212-235-001-10	14	6-A	6212-571-001-10	12	6		19	8
6212-235-005-00	14	6-B	6212-571-003-00	12	6-A	6213-614-003-10	18	12
6212-261-006-00	14	8	6212-571-006-00	12	6-B		19	12
6212-271-006-00	14	8-A	6212-575-001-00	12	7		28	18
6212-271-016-00	14	8-B	6212-600-002-00	12	8	6213-614-006-10	18	16
6212-274-016-00	6	5	6212-600-002-10	12	8-A		19	16
6212-276-016-00	6	6	6212-611-004-10	12	9		28	19
6212-310-008-00	16	1	6212-616-002-00	12	16	6213-619-002-00	18	11
6212-310-008-10	16	1-A	6212-620-001-10	12	10		19	11
6212-310-008-20	16	1-B	6212-620-001-20	12	10-A	6213-619-003-00	18	10
6212-310-008-30	16	1-C	6212-626-002-10	12	11		19	10
6212-310-008-50	16	1-D	6212-628-004-00	12	12	6213-619-005-00	18	15
6212-330-013-30	16	5	6212-628-005-00	12	13		19	15
6212-333-001-00	16	6	6213-100-003-20	17	1	6213-621-003-00	18	6
6212-333-003-00	16	6-A	6213-100-003-30	17	1-A		19	6
6212-371-014-20	16	8	6213-111-001-20	17	2	6213-622-002-10	18	5
6212-379-001-00	16	9	6213-111-001-30	17	2-A		19	5
6212-511-002-00	13	1	6213-119-001-00	17	6	6213-631-002-00	18	3
6212-521-002-00	16	3	6213-120-003-00	17	3		19	3
6212-521-008-00	16	3-A	6213-120-003-20	17	3-A	6213-631-005-00	18	4
6212-522-003-00	13	2	6213-125-001-00	17	4		19	4
6212-522-010-00	13	2-A	6213-129-003-00	17	5-A	6213-641-004-00	20	2
6212-523-003-00	13	6	6213-129-005-00	5	17	6213-641-004-10	20	2-A
6212-523-023-00	13	6-A	6213-129-006-00	5	16	6213-642-002-00	18	7
6212-524-002-00	22	9	6213-140-002-00	17	8		19	7
6212-524-002-10	22	9-A	6213-140-002-10	17	8-A	6213-660-006-00	20	1
6212-524-002-20	22	9-B	6213-149-001-00	17	10	6213-669-002-00	20	3
6212-530-004-00	10	45	6213-160-002-00	10	28	6213-671-003-00	20	5
6212-530-004-10	10	45-A	6213-160-002-10	10	28-A	6213-674-006-10	25	2
6212-531-005-10	5	6	6213-160-002-20	10	28-B	6213-674-006-20	25	2-A
6212-535-001-00	13	4	6213-161-001-00	10	29		26	2
6212-535-002-00	22	13	6213-161-001-10	10	29-A	6213-711-003-20	18	28
6212-551-001-00	12	1	6213-161-001-20	10	29-B		19	28
6212-551-001-10	12	1-A	6213-164-001-00	10	30	6213-716-001-40	18	22
6212-551-028-00	12	1-B	6213-240-002-00	17	15		19	22
6212-552-001-00	12	2	6213-240-002-10	17	15-A	6213-716-001-50	19	22-A

Numerical Index

6003-097-150-10

Part Code	Fig. Key	Part Code	Fig. Key	Part Code	Fig. Key
6213-721-001-00	5 22	6215-345-047-00	29 8	6215-542-002-00	22 20
6213-721-003-00	18 23		30 7	6215-543-001-10	22 19
	19 23		31 5	6215-546-001-00	10 17
6213-729-001-00	18 20	6215-345-048-00	29 9	6215-549-001-10	5 26
6213-729-013-10	19 20		30 8	6215-549-003-00	22 22
6213-743-002-10	18 24		31 6	6215-549-007-00	22 30
	19 24	6215-345-049-00	29 10	6215-549-007-10	22 30-A
	28 20		30 9	6215-549-008-00	22 34
6214-111-011-20	3 1		31 7	6215-549-008-10	22 34-A
6214-115-001-20	3 2	6215-345-050-00	29 11	6215-549-021-00	22 29
	28 6		30 10	6215-549-021-10	22 29-A
6214-141-022-00	4 1		31 8	6215-549-029-00	24 2
6214-145-001-30	4 2	6215-345-051-00	29 12	6215-600-088-00	22 1
	28 7		30 11	6215-600-088-10	22 1-A
6215-300-005-00	21 1		31 9	6215-600-088-20	22 1-B
6215-300-030-00	21 1-A	6215-345-052-00	29 13	6215-611-002-00	32 1
6215-300-037-00	21 1-B		30 12	6215-612-016-00	32 34
6215-311-005-00	29 1		31 10	6215-619-012-00	32 35
	30 18	6215-345-053-00	29 14	6215-619-013-00	32 37
	31 16		30 13	6215-619-014-00	32 38
6215-315-002-00	21 2		31 11	6215-619-015-00	32 39
6215-330-007-00	29 2	6215-355-003-00	29 18	6215-619-016-00	32 40
6215-330-021-00	30 1	6215-359-003-00	29 17	6215-619-017-00	32 41
6215-330-022-00	31 1		30 16	6215-619-026-00	32 41-A
6215-332-002-00	29 16		31 17	6215-621-006-10	22 8
	30 15	6215-359-004-00	29 19	6215-621-006-20	22 8-A
6215-332-006-00	31 15		30 17	6215-622-002-00	32 12
6215-339-002-00	29 15		31 18	6215-629-017-00	32 13
	30 14	6215-410-035-10	21 3	6215-629-018-00	32 14
6215-339-004-00	31 14	6215-410-036-10	21 4	6215-629-020-00	32 18
6215-342-002-00	29 3	6215-410-057-00	21 5	6215-629-021-00	32 19
	30 2	6215-411-074-10	23 2-A	6215-629-022-00	32 20
	31 13	6215-411-111-00	21 3-A	6215-629-023-00	32 21
6215-343-002-00	29 4	6215-411-112-00	21 4-A	6215-629-024-00	32 22
	30 3	6215-411-113-00	21 5-A	6215-629-025-00	32 23
	31 12	6215-412-001-20	23 1	6215-629-026-00	32 24
6215-345-044-00	29 5	6215-520-001-00	22 15	6215-629-027-00	32 25
	30 4	6215-526-001-10	22 17	6215-629-028-00	32 26
	31 2	6215-526-004-00	22 17-A	6215-629-029-00	32 27
6215-345-045-00	29 6	6215-531-005-00	22 23	6215-629-030-00	32 28
	30 5	6215-541-001-00	22 18	6215-629-031-00	32 29
	31 3	6215-541-001-10	22 18-A	6215-629-032-00	32 30
6215-345-046-00	29 7	6215-541-002-10	24 1	6215-629-033-00	32 31
	30 6	6215-541-003-10	22 24	6215-629-034-00	32 32
	31 4	6215-542-001-10	10 22	6215-631-004-00	32 2

Numerical Index

6003-097-150-10

Part Code	Fig. Key	Part Code	Fig. Key	Part Code	Fig. Key
6215-634-002-00	32 15	6281-124-011-00	34 6	6281-215-001-00	36 17
6215-635-002-00	32 8	6281-127-003-00	34 19	6281-216-001-00	35 18
6215-635-003-00	32 36	6281-129-006-00	33 17		36 18
6215-635-008-00	32 36-A	6281-129-007-00	33 7	6281-217-001-00	35 16
6215-637-008-00	32 33	6281-129-008-00	33 18		36 16
6215-639-006-00	32 16	6281-129-009-00	33 19	6281-217-002-00	35 16-A
6215-639-007-00	32 17	6281-129-010-00	33 4	6281-221-001-00	35 4
6215-641-002-00	32 3	6281-129-011-00	33 5		36 4
6215-643-003-00	32 4	6281-129-019-00	33 21	6281-221-007-00	35 4-A
6215-644-003-00	32 6	6281-129-029-00	34 29	6281-222-004-00	35 1
6215-649-003-00	32 5	6281-129-030-00	34 28		36 1
6215-649-004-00	32 7	6281-129-043-00	34 30	6281-229-002-00	35 2
6215-649-004-10	32 7-A	6281-129-058-00	34 9		36 2
6215-649-005-00	32 9	6281-129-062-00	34 33	6281-229-003-00	35 3
6215-649-006-00	32 10	6281-129-064-00	34 7		36 3
6215-649-006-10	32 10-A	6281-129-065-00	34 12	6281-229-004-00	35 5-A
6215-649-007-00	32 11	6281-129-066-00	34 13		36 6
6219-732-002-00	27 4	6281-129-067-00	34 14	6281-229-005-00	35 5
6219-732-016-00	27 4-A	6281-129-068-00	34 15		36 5
6219-732-017-00	27 4-B	6281-129-069-00	34 16	6281-229-006-00	35 8
6219-752-001-00	22 2	6281-129-070-00	34 17		36 8
6219-752-002-00	22 3	6281-129-071-00	34 18	6281-229-007-00	35 9
6219-752-003-00	22 4	6281-129-072-00	34 21		36 9
6219-752-004-00	22 5	6281-129-073-00	34 22	6281-229-008-00	35 10
6219-752-005-00	22 6	6281-129-074-00	34 23		36 11
6219-752-040-00	22 4-A	6281-129-075-00	34 24	6281-229-009-00	35 11
6219-752-041-00	22 2-A	6281-129-076-00	34 25		36 10
6219-752-042-00	22 5-A	6281-129-077-00	34 26	6281-229-010-00	36 14
6219-752-043-00	22 6-A	6281-129-078-00	34 27	6281-229-011-00	35 15
6281-100-003-00	25 7	6281-129-079-00	34 34		36 15
6281-100-003-10	25 7-A	6281-129-080-00	34 8	6281-229-012-00	35 19
6281-100-014-00	26 7	6281-151-004-00	33 8		36 19
6281-111-002-00	33 1	6281-151-004-10	33 8-A	6281-229-013-00	35 20
6281-111-009-00	34 1	6281-151-014-00	34 20		36 20
6281-115-004-00	33 11	6281-200-005-00	25 1-A	6281-229-014-00	35 21
6281-115-017-00	34 10		26 1		36 21
6281-115-018-00	34 11	6281-200-016-00	25 1	6281-229-015-00	35 22
6281-116-002-00	33 2	6281-213-003-00	36 7		36 22
6281-117-003-00	34 4	6281-213-006-00	35 7	6281-229-016-00	35 23
6281-118-001-00	33 9	6281-213-018-00	35 7-A		36 23
6281-118-007-00	34 3	6281-214-003-00	35 12	6281-229-017-00	35 24
6281-119-009-00	34 2		36 12		36 24
6281-121-003-00	33 3	6281-214-004-00	35 13	6281-229-018-00	35 25
6281-121-010-00	34 5		36 13		36 25
6281-124-001-00	33 6	6281-215-001-00	35 17	6281-229-029-00	35 14

Numerical Index

6003-097-150-10

Part Code	Fig. Key	Part Code	Fig. Key	Part Code	Fig. Key
6281-229-032-00	35 6	6909-110-406-00	10 34	V231-360-804-00	10 44
6281-229-033-00	35 11-A		22 31	V231-360-804-50	10 14
6281-271-002-00	35 26	6909-110-408-00	33 23		10 43
	36 26		34 32		18 13
6281-410-002-20	27 3	6909-110-410-00	25 6		19 13
6281-410-010-00	27 3-A		26 6	V231-360-805-00	10 9
6281-410-023-00	27 3-B	6909-111-406-00	22 26		10 42
6281-910-001-00	27 5	6909-111-508-00	33 20		12 19
6281-920-001-00	27 9	6909-150-508-00	33 22	V231-360-805-50	10 8
6281-971-001-10	27 1		34 31	V231-360-807-50	10 7
6287-810-004-30	28 1	6909-202-308-00	10 24		18 26
6294-453-002-00	5 20-A	6909-572-008-00	2 5		19 26
6509-360-912-10	23 3		28 5	V231-360-808-50	10 6
6509-605-019-10	5 5	6909-830-212-00	1 8	V233-361-002-00	11 2
	10 3	6909-902-299-00	5 21	V233-361-007-00	25 5
6513-770-022-10	18 27	6909-906-105-10	17 13		26 5
	19 27	6909-920-843-00	17 14	V341-120-008-00	10 19
6515-419-014-00	23 4	6911-129-006-00	1 2	V401-160-006-00	22 33
6581-117-007-00	33 10	6911-129-083-00	5 7	V411-260-006-00	22 32
6581-123-011-00	33 12	6911-219-195-00	5 4	V523-101-001-80	16 2-A
6581-129-092-00	33 15	J061-210-015-00	18 21	V600-110-600-20	10 46
6581-129-096-00	33 16		19 21	V600-110-600-40	22 12
6581-129-099-00	33 13		19 21-B	V600-110-620-30	10 47
6581-129-100-00	33 14	J062-062-067-00	23 6		22 11
6582-450-014-00	27 2	J062-076-082-00	23 5	V682-200-000-60	1 5
6894-453-344-00	5 20	J062-138-148-00	19 21-A	V704-140-016-00	12 15
6901-066-645-00	16 10	V211-560-802-50	4 3	V705-140-012-00	10 31
6901-910-612-00	13 5	V230-360-601-00	7 4	V705-140-040-00	10 40
	22 14	V230-360-601-20	5 25	V710-140-004-00	10 23
6901-910-625-00	17 7		27 7		22 21
6901-910-816-00	8 4	V231-360-801-60	10 13		24 3
	9 4		17 11	V720-101-900-80	22 27
6901-911-020-00	8 3	V231-360-802-00	3 3	V720-102-401-50	17 9
	9 3		18 18		28 17
6901-911-025-00	25 8		18 25	V720-102-401-80	7 3
	26 8		19 18	V723-102-004-20	10 39
6902-050-816-00	10 37		19 25		28 16
6904-110-818-00	5 19		25 3	V723-102-005-50	18 29
6904-110-840-00	5 18		26 3		19 29
6908-000-716-00	13 3	V231-360-802-50	18 30		28 21
	22 10		19 30		
6908-000-750-00	16 4	V231-360-803-00	10 15		
6908-160-408-00	17 5	V231-360-803-50	10 11		
6908-161-018-00	16 2	V231-360-804-00	3 4		
6909-110-406-00	5 28		10 10		

Numerical Index

1631-097-100-10

Part Code	Fig. Key	Part Code	Fig. Key	Part Code	Fig. Key
1631-101-210-00	1 1	1488-611-001-00	40 9	1593-102-012-00	2 22
1323-220-012-00	19 10	1524-122-001-00	20 6	1593-102-500-10	2 1
1337-401-006-00	20 15	1527-604-002-00	36 20	1593-102-502-00	2 2
	54 47		36 25	1593-102-503-00	2 3
1342-402-006-00	5 14		37 20	1593-102-504-00	2 4
1376-121-001-00	25 23		37 25	1593-102-505-00	2 5
1376-606-005-00	40 16		41 17	1593-103-054-00	3 2
1386-241-002-00	21 4	1544-104-204-00	3 9	1593-103-500-10	3 1
	31 4		4 5	1593-104-004-00	3 13
	53 4	1544-104-205-00	3 10		4 11
1415-120-006-00	17 4		4 6	1593-104-500-00	3 6
	20 16	1560-104-010-40	2 16	1593-104-502-00	3 7
1415-120-020-00	28 30	1560-132-007-30	20 14	1593-105-213-10	5 10
	28 34	1560-664-250-00	43 13	1593-112-002-50	6 5
1415-125-021-00	54 49		44 19		7 4
1416-209-005-00	9 18	1560-664-252-00	43 14	1593-112-003-20	6 8
1416-600-057-00	38 9		44 20		7 7
1416-600-057-10	38 9-A	1560-664-253-00	43 15	1593-112-051-30	6 4
	39 9		44 21	7 3	
1424-101-203-00	2 17	1564-512-001-00	26 2	1593-112-200-10	6 1
1424-101-204-00	2 18		27 2	1593-112-222-00	6 9
1425-621-004-00	2 9	1564-654-213-00	56 4		7 8
	3 4	1575-104-202-00	4 3	1593-112-510-30	6 3
	30 31	1575-623-009-00	43 2		7 2
1427-111-006-00	5 15		44 2	1593-112-520-10	6 12
	5 18	1575-623-010-00	43 3		7 11
1427-130-260-00	23 18		44 3	1593-117-001-40	8 3
1427-601-003-00	22 4	1581-621-290-00	43 11	1593-117-003-10	8 6
1427-621-002-10	6 2		44 17	1593-117-200-20	8 1
1427-621-012-00	26 7	1588-105-210-00	5 5	1593-117-510-20	8 2
	27 7	1593-101-003-20	1 6	1593-122-051-00	9 1
	38 2	1593-101-009-10	1 12	1593-203-058-20	12 2
	39 2	1593-101-011-10	1 13	1593-304-008-00	18 3
	42 12	1593-101-012-00	1 14	1593-304-051-20	18 1
1427-934-013-00	48 5		16 49	1593-304-053-10	18 6
1427-941-016-00	49 5	1593-101-220-40	1 2	1593-304-054-10	18 4
1432-242-004-00	34 13	1593-101-220-50	1 2-A	1593-304-055-10	18 7
1435-201-012-10	30 23-A	1593-102-001-10	2 10	1593-304-057-10	18 8
1435-201-220-00	14 6	1593-102-002-10	2 11	1593-307-051-20	18 12
1444-122-002-00	20 12	1593-102-003-20	2 14		18 16
1444-601-015-00	42 15	1593-102-004-20	2 15	1593-307-052-10	18 13
1444-621-008-00	40 18	1593-102-005-30	2 6		18 17
1444-621-311-00	42 6	1593-102-006-50	2 21	1593-307-053-10	18 14
1444-621-312-00	42 7	1593-102-009-10	2 23		18 18
1480-207-011-00	28 8	1593-102-011-00	2 7	1593-310-054-20	19 6

Numerical Index

1631-097-100-10

Part Code	Fig. Key	Part Code	Fig. Key	Part Code	Fig. Key
1593-310-520-20	19 4	1593-406-004-00	26 15	1593-601-009-00	37 10
1593-310-540-00	19 9		27 10	1593-601-011-10	36 18
1593-312-056-20	20 18	1593-406-005-10	26 14	1593-601-012-00	36 22
	20 27		27 9	1593-601-013-10	36 23
1593-317-201-00	21 2	1593-406-006-00	26 18	1593-601-014-00	36 37
1593-317-210-00	21 1		27 13		37 37
1593-332-051-30	22 9	1593-406-008-00	26 5	1593-601-015-00	36 13
1593-332-052-10	22 7		27 5		37 13
1593-332-053-00	22 8	1593-406-240-10	26 17	1593-601-054-00	36 40
1593-332-520-30	22 1		27 12		37 40
1593-333-500-30	22 12	1593-406-250-00	26 13	1593-601-061-40	36 39
1593-334-052-00	23 3		27 8		37 39
1593-334-054-30	23 2	1593-406-500-30	27 1	1593-601-064-20	36 31
1593-334-055-00	23 4	1593-407-002-00	28 6		37 31
1593-334-056-50	23 1		29 6	1593-601-065-10	26 4
1593-334-300-20	23 11	1593-407-004-40	28 3		27 4
1593-334-300-30	23 11-A		29 3	1593-601-067-30	36 3
1593-334-300-40	23 11-B	1593-407-006-00	28 7		37 3
1593-334-310-20	23 14		29 7	1593-601-069-00	26 3
1593-335-058-00	23 20	1593-407-007-20	29 14		27 3
1593-335-500-50	23 16	1593-407-051-70	29 1	1593-601-071-00	36 4
1593-335-500-60	23 16-A	1593-407-200-60	29 5		37 4
1593-341-008-00	54 73	1593-407-510-50	28 11	1593-601-072-00	36 5
1593-341-009-00	54 74		29 10		36 11
1593-341-012-10	54 75	1593-407-520-40	29 15		37 5
1593-342-001-00	54 51	1593-407-530-40	28 18		37 11
	55 2		29 17	1593-601-073-00	36 33
1593-342-200-00	55 1	1593-411-001-10	31 6		37 33
1593-401-007-20	4 9	1593-411-052-20	31 7		37 33-A
	24 2	1593-411-053-20	23 18-A	1593-601-074-00	36 32
	26 12		31 8	1593-601-300-00	36 27
1593-401-071-50	24 3	1593-411-201-00	31 1		37 27
1593-402-051-10	24 10	1593-411-610-10	31 2	1593-601-524-10	36 28
1593-402-210-00	24 9	1593-553-003-20	33 2		37 28
1593-402-510-40	24 13	1593-553-007-20	33 7	1593-601-525-10	36 29
1593-403-001-10	25 11	1593-553-280-00	33 1		37 29
1593-403-003-10	25 10	1593-553-280-10	33 1-A	1593-606-006-10	38 5
1593-403-004-10	25 3	1593-553-550-10	33 6		39 5
1593-403-005-00	25 27	1593-553-670-30	32 2		41 14
1593-403-007-20	25 21		32 7	1593-611-001-00	40 13
1593-403-009-00	25 4	1593-555-011-00	35 1	1593-611-011-20	40 2
1593-403-052-30	25 14		35 5	1593-611-011-40	40 2-A
1593-403-056-40	25 15	1593-555-013-00	35 3	1593-611-013-00	40 10
1593-403-500-80	25 1		35 8	1593-611-014-00	40 15
1593-403-510-80	25 2	1593-601-009-00	36 10	1593-611-058-00	40 12

Numerical Index

1631-097-100-10

Part Code	Fig.	Key	Part Code	Fig.	Key	Part Code	Fig.	Key
1593-611-200-51	40	8	1593-901-019-00	45	4	1608-201-011-20	11	37
1593-611-200-52	40	8	1593-904-001-00	47	1	1608-201-013-00	10	28
1593-612-005-00	41	2	1593-904-012-00	47	3		11	29
1593-612-220-10	41	6	1593-905-001-00	48	1	1608-201-200-20	10	25
1593-612-230-00	41	9	1593-905-012-00	48	3		11	26
1593-616-004-20	38	3	1593-906-001-00	49	1	1608-203-002-30	12	4
	39	3	1593-906-012-00	49	3	1608-203-200-00	12	1
	41	11	1600-112-231-00	6	14	1608-205-200-10	13	1
1593-621-005-00	42	9		7	13	1608-205-201-00	13	15
1593-621-250-10	42	4	1600-112-232-00	6	10	1608-205-202-00	13	16
1593-621-252-00	42	5		6	15	1608-205-203-00	13	17
1593-621-510-30	42	2		7	9	1608-205-204-00	13	18
1593-622-004-00	56	11		7	14	1608-205-205-00	13	19
1593-622-211-10	42	13	1600-505-007-00	8	9	1608-205-206-10	13	20
1593-622-240-00	56	3	1600-902-023-00	47	5	1608-205-207-00	13	21
1593-622-250-00	56	2	1608-105-230-00	5	2	1608-205-208-00	13	22
1593-622-270-00	56	5	1608-105-241-00	5	11	1608-205-209-00	13	23
1593-622-272-00	56	7		5	22	1608-205-211-00	13	24
1593-622-273-00	56	8	1608-122-002-10	9	15	1608-205-212-00	13	25
1593-622-274-00	56	9	1608-122-003-00	9	5	1608-205-213-00	13	26
1593-622-275-00	56	10	1608-122-004-00	9	2	1608-205-214-00	13	27
1593-622-280-00	56	1	1608-122-200-50	9	6	1608-205-215-00	13	28
1593-623-001-00	6	16	1608-122-200-60	9	6-A	1608-205-216-00	13	29
	7	17	1608-122-206-00	9	7-A	1608-205-217-00	13	30
	43	7	1608-122-206-10	9	7-B	1608-205-218-00	13	31
1593-623-002-00	44	13	1608-122-207-00	9	8-A	1608-205-219-00	13	32
	43	6	1608-122-210-20	9	7	1608-205-221-00	13	33
	44	12	1608-122-220-20	9	8	1608-205-222-00	13	34
1593-623-003-00	43	8	1608-122-230-10	9	17	1608-205-223-00	13	35
	44	14	1608-201-001-40	10	1	1608-205-224-00	13	36
1593-623-272-00	40	4	1608-201-002-30	10	8	1608-205-225-00	13	37
1593-623-273-00	40	5		11	9	1608-205-226-00	13	38
1593-623-280-00	40	3	1608-201-002-40	10	8-A	1608-205-227-00	13	59
1593-623-503-00	43	4		11	9-A	1608-205-228-00	13	60
	44	4	1608-201-004-20	10	13	1608-205-229-00	13	61
1593-623-504-00	43	5		11	14	1608-205-231-00	13	62
	44	6	1608-201-005-10	10	17	1608-205-232-00	13	64
1593-623-520-00	43	16		10	17-A	1608-205-233-00	13	66
	44	22		11	18	1608-205-234-00	13	39
	54	29		11	18-A	1608-205-235-00	13	40
1593-623-610-00	44	7	1608-201-006-20	10	27	1608-205-236-00	13	41
1593-630-210-00	56	14		11	28	1608-205-237-00	13	42
1593-630-211-00	56	15	1608-201-008-10	10	30	1608-205-238-00	13	43
1593-630-230-00	56	13		11	31	1608-205-239-00	13	44
1593-901-015-00	45	8	1608-201-011-20	10	36	1608-205-241-00	13	45

Numerical Index

1631-097-100-10

Part Code	Fig. Key	Part Code	Fig. Key	Part Code	Fig. Key
1608-205-242-00	13 46	1608-207-007-10	16 54	1608-341-025-10	54 48
1608-205-243-00	13 47	1608-207-008-00	16 60	1608-341-026-00	54 6
1608-205-244-00	13 48	1608-207-009-20	16 61	1608-341-027-00	54 54
1608-205-245-00	13 49	1608-207-011-00	16 7	1608-341-200-00	54 53
1608-205-246-00	13 50	1608-207-012-00	16 17	1608-341-210-30	54 2
1608-205-247-00	13 51	1608-207-014-00	16 44	1608-341-220-20	54 14
1608-205-260-00	13 2	1608-207-200-30	16 1	1608-341-230-20	54 24
1608-205-263-00	13 3	1608-207-210-20	16 6	1608-341-240-30	54 28
1608-205-264-00	13 4	1608-207-220-20	16 12	1608-341-260-30	54 39
1608-205-265-00	13 5	1608-207-230-00	16 16	1608-341-270-00	54 27
1608-205-266-00	13 6	1608-207-240-20	16 24	1608-341-300-40	54 1
1608-205-267-00	13 7	1608-207-250-20	16 32	1608-341-310-30	54 62
1608-205-268-00	13 8	1608-207-260-20	16 42	1608-341-320-10	54 70
1608-205-269-00	13 9	1608-207-270-10	16 45	1608-341-330-00	54 21
1608-205-280-00	13 10	1608-207-280-10	16 21	1608-553-200-40	32 1
1608-205-283-00	13 11	1608-207-290-00	16 48		32 6
1608-205-284-00	13 12	1608-207-310-00	16 27	1608-553-210-00	32 4
	13 58	1608-208-200-10	17 1		32 10
1608-205-285-00	13 13	1608-304-001-00	18 2	1608-554-001-00	34 11
	13 63	1608-307-200-20	18 11	1608-554-002-00	34 14
1608-205-290-00	13 57	1608-307-200-30	18 11-A	1608-554-200-10	34 1
1608-206-001-00	14 4	1608-307-210-20	18 15	1608-554-210-10	34 4
	15 4	1608-307-210-30	18 15-A	1608-554-600-20	34 7
1608-206-002-00	14 26	1608-310-002-00	19 2	1608-601-001-00	37 18
	15 26	1608-310-200-10	19 1	1608-601-001-10	37 18-A
1608-206-004-00	14 30	1608-310-210-00	19 7	1608-601-002-00	37 23
	15 30	1608-312-003-40	20 11	1608-601-002-10	37 23-A
1608-206-005-00	14 33	1608-312-005-00	20 4	1608-601-003-00	37 22
	15 33	1608-312-006-20	20 19	1608-606-200-41	38 1
1608-206-200-30	14 1	1608-312-007-00	20 8	1608-606-200-42	39 1
	15 1	1608-312-200-40	20 1	1608-616-001-10	41 15
1608-206-210-20	14 10	1608-312-210-20	20 5	1608-616-002-20	41 16
	15 10	1608-312-220-00	20 17	1608-616-200-31	41 10
1608-206-240-00	14 18	1608-313-200-10	20 23	1608-616-200-32	41 10
	15 18	1608-341-001-20	54 5	1608-621-200-00	42 1
1608-206-241-00	14 19	1608-341-003-20	54 11	1608-623-200-00	43 1
	15 19	1608-341-006-10	54 18	1608-623-200-10	43 1-A
1608-206-250-00	14 34	1608-341-008-00	54 23	1608-623-210-00	44 1
	15 34	1608-341-012-00	54 58	1608-623-210-10	44 1-A
1608-206-260-00	14 35	1608-341-013-00	54 64	1608-901-003-10	45 7
	15 35	1608-341-014-10	54 65		46 7
1608-207-003-20	16 37	1608-341-015-00	54 66	1608-901-012-00	46 4
1608-207-004-10	16 28	1608-341-016-00	54 68	1608-904-002-00	47 2
	16 38	1608-341-021-10	54 41	1608-904-006-00	47 4
1608-207-006-10	16 53	1608-341-023-00	54 36	1608-905-002-00	48 2

Numerical Index

1631-097-100-10

Part Code	Fig.	Key	Part Code	Fig.	Key	Part Code	Fig.	Key
1608-905-006-00	48	4	1631-555-001-00	35	2	1640-903-036-00	47	7
1608-906-002-00	49	2		35	6	1640-904-006-10	49	8
1608-906-006-00	49	4	1631-555-002-00	35	7	1640-904-013-10	49	6
	50	8	1631-601-001-10	37	14	1640-904-016-10	49	7
1608-930-001-00	52	2	1631-601-001-11	36	14	1640-904-019-10	49	9
1614-104-202-00	4	4	1631-601-004-10	36	2	1640-905-006-00	51	8
1614-922-200-20	57	1		37	2	1640-905-013-00	51	5
1631-101-210-10	1	1-A	1631-601-005-00	36	16	1640-905-015-00	51	9
1631-104-001-00	3	12	1631-601-006-00	36	17	1640-905-016-00	51	7
	4	10	1631-601-011-00	37	16	1646-116-051-00	8	5-A
1631-104-200-00	4	1	1631-601-012-00	37	17	1646-116-051-10	8	5-B
1631-104-202-00	4	2	1631-601-200-11	36	1	1674-904-008-00	50	1-A
1631-105-201-10	5	9	1631-601-200-12	37	1	1689-440-230-00	31	2-A
1631-105-202-00	5	8	1631-611-210-20	40	1	1689-502-250-00	14	31-A
1631-201-001-00	11	1	1631-612-001-10	41	1		15	31-A
1631-201-001-10	11	1-A	1631-901-008-00	45	1	1701-509-007-00	23	13
1631-203-001-00	12	8		46	1	1705-333-001-00	22	13-A
1631-203-200-00	12	11	1631-901-009-00	45	2	1705-408-350-00	14	17-A
1631-206-200-00	15	6		46	2		15	17-A
1631-401-200-50	24	1	1631-901-011-00	45	3	1705-902-006-00	50	4
1631-401-200-70	24	1-A	1631-901-012-00	45	13	1705-902-007-00	50	6
1631-401-300-00	24	5	1631-901-013-00	46	3	1705-902-008-00	50	7
1631-401-310-00	24	7	1631-901-014-00	46	9	1705-904-001-00	50	9
1631-403-001-20	25	25	1631-901-021-00	46	8	1705-904-002-00	50	10
1631-403-200-00	25	18	1631-910-002-00	51	2	1705-904-002-10	50	10-A
1631-406-200-50	26	1	1631-910-004-00	51	4	1705-904-004-00	50	11
1631-406-200-60	26	1-A	1631-910-006-00	51	6	1705-904-011-00	45	6-A
1631-406-220-00	26	22	1631-910-008-00	51	1		46	6
1631-406-230-00	26	25	1631-910-009-00	51	3		50	2
1631-407-001-00	28	23	1636-313-011-10	20	6-A	1725-604-052-00	37	34-A
1631-407-002-00	28	32	1636-901-009-00	45	6	2111-101-011-00	10	32
1631-407-003-00	28	33	1636-901-015-00	45	9		11	33
1631-407-004-00	28	27	1636-901-022-00	45	12	2137-223-004-00	10	23
	28	27-A	1640-903-006-00	48	8		11	24
1631-407-201-10	28	1	1640-903-006-10	48	8-A	2144-117-002-00	40	17
1631-407-202-00	28	5	1640-903-013-00	48	6	2144-409-210-10	30	12
1631-407-203-10	28	15	1640-903-013-10	48	6-A	2157-410-001-00	30	32
1631-407-210-10	28	16	1640-903-015-00	48	9	2171-213-002-00	20	24-A
1631-407-220-10	28	29	1640-903-015-10	48	9-A	2500-901-027-00	45	5
1631-407-300-00	28	26	1640-903-015-20	48	9-B		46	5
1631-408-001-10	30	19	1640-903-016-00	48	7	2502-105-002-00	5	21
1631-408-002-00	30	25	1640-903-016-10	48	7-A	2502-407-001-10	22	2
1631-408-003-00	30	18	1640-903-026-00	47	8	2706-501-003-00	41	7
	30	18-A	1640-903-033-00	47	6	2706-501-004-00	41	8
1631-408-210-00	30	21	1640-903-035-00	47	9	3517-205-007-00	54	25

Numerical Index

1631-097-100-10

Part Code	Fig. Key	Part Code	Fig. Key	Part Code	Fig. Key
3543-350-001-00	30 23	3666-202-005-00	30 28	8595-901-007-00	50 3
3560-201-015-00	41 4	3666-202-005-10	30 28-A	8654-101-230-00	9 9-A
3600-201-013-00	20 24	3670-375-220-00	30 29	8654-101-232-00	9 10
3610-631-002-00	36 8	3728-552-008-00	54 45	8654-101-233-00	9 11
	37 8	3737-113-005-00	10 6	J061-114-024-00	10 29
3614-261-002-00	42 8		11 6		11 30
3623-820-013-00	24 4	3737-122-001-00	54 16		30 24
3625-212-007-00	25 16	3737-172-009-00	36 36		30 26
3626-276-003-00	6 17		37 36		30 33
	7 18	3737-172-010-00	5 25	J061-209-011-00	5 17
3631-221-001-00	1 9		30 35		5 20
3631-270-003-00	56 6		43 9	J061-210-012-00	5 12
3631-350-201-10	30 15		44 15		5 16
3631-353-001-10	10 33		56 12		5 19
	11 8	3737-172-011-00	1 5		5 23
	11 34		26 9		5 28
3631-353-002-10	14 31		27 18	J061-210-015-00	2 20
	15 31	3746-111-011-00	23 8	J061-211-013-00	5 13
3631-671-003-00	16 20	3746-185-014-00	28 28		5 24
3640-350-006-10	30 10		43 10	J061-232-040-00	2 12
3642-496-007-10	43 20-A		44 16	J061-236-044-00	2 13-A
	44 26-A	3768-185-022-10	14 20	J061-238-046-00	2 13
	54 30-A		15 20	J061-247-055-00	3 14
3643-586-001-00	5 27		30 20		4 12
3648-703-001-00	22 5	3805-701-018-00	25 7	J062-081-087-00	5 29
3650-261-261-00	44 8	3908-170-020-00	38 6	J062-104-111-00	10 31
3650-262-202-00	44 5		39 6		11 32
3650-270-214-00	42 3	4106-105-303-00	8 5	K130-003-000-00	30 1
3652-261-202-00	6 13		22 13	K130-003-003-00	30 3
	7 12		54 34	K130-003-004-00	30 6
3656-115-001-00	16 15	4301-210-002-00	36 12	K130-003-100-00	30 2
3656-221-001-10	34 8		37 12	K182-002-002-00	14 23
3659-310-004-00	5 26		42 14		15 23
3660-260-210-30	7 1	4319-911-001-00	52 1	K182-032-000-00	14 21
3661-212-001-00	17 5	6213-200-002-10	5 1		15 21
	30 27	6219-755-001-00	5 4	K182-032-001-00	14 22
	30 30	7955-201-026-00	10 24		15 22
	30 34		11 25	K182-032-002-00	14 24
	36 6	8523-202-241-00	53 1		15 24
	37 6	8523-202-242-00	53 2	K182-032-003-00	14 25
3664-276-001-00	43 20	8592-011-204-00	9 9		15 25
	44 26	8595-901-006-00	45 10	K211-004-007-00	58 7
	54 30		50 1	K211-012-000-00	14 14
3664-351-006-00	14 17		50 5		15 14
	15 17	8595-901-007-00	45 11	K211-012-003-00	58 2

Numerical Index

1631-097-100-10

Part Code	Fig. Key	Part Code	Fig. Key	Part Code	Fig. Key
K211-012-005-00	58 4	V210-260-601-20	9 16	V211-260-802-00	14 12
K211-012-006-00	58 5		23 19		15 5
K211-012-007-00	58 6		28 4		15 12
K211-012-008-00	58 10		29 4		16 43
K211-012-009-00	58 3		36 38		20 20
K211-012-011-00	58 13		54 7		26 23
K211-012-100-00	58 1	V210-260-601-60	28 24		26 26
K250-034-000-30	30 16		30 14		54 56
V111-163-002-00	43 17		42 10		54 61
	44 23		56 16	V211-260-802-50	35 4
V120-266-001-20	54 31	V210-260-602-00	14 13		35 9
	58 14		15 13	V211-260-803-00	10 19
V120-266-002-50	58 8		42 11		11 21
V120-366-001-60	36 19	V210-360-601-20	37 38		54 57
	36 24		54 22	V211-260-804-00	10 20
V120-376-001-60	43 12	V210-360-601-60	5 6		11 22
	44 18		8 4		30 9
	37 19		23 12	V211-260-804-50	58 12
	37 24		36 7	V211-261-002-00	24 14
V120-376-002-00	36 34		37 7		28 2
V120-376-002-50	37 34		42 10-A		29 2
	37 32	V210-360-602-00	23 12-A		30 22
V201-260-803-50	16 4		23 17	V211-261-002-50	20 7
V201-260-804-00	30 7		26 8		23 15
V201-260-805-00	16 50		26 16		54 52
V201-260-806-00	54 42		27 11		55 3
	14 15		27 17	V211-261-004-50	13 68
	15 15		42 11-A	V211-360-801-60	14 9
V201-260-809-50	10 18	V210-360-602-50	26 16-A		15 9
	10 18-A		27 11-A		16 62
V201-260-810-00	11 19	V210-660-602-00	23 17-A		26 10
	11 19-A		28 24-A		27 19
	10 22-A	V211-260-801-20	36 9		38 8
	11 20-A		37 9		39 8
V201-260-810-50	10 22	V211-260-801-60	5 3	V211-360-802-00	2 8
V201-460-802-00	11 20		6 11		2 19
	9 13		7 10		3 11
V201-460-802-50	9 13-A		10 16		4 8
V201-460-804-50	9 3		11 17		6 7
V201-461-003-00	10 34		19 3		7 6
V203-461-002-00	11 35		24 8		24 6
	1 3	V211-260-802-00	28 25		28 17
	6 19		10 26		29 16
	7 20		11 27	V211-360-802-50	1 15
V203-461-002-50	23 21		14 5	V211-361-002-00	6 18

Numerical Index

1631-097-100-10

Part Code	Fig. Key	Part Code	Fig. Key	Part Code	Fig. Key
V211-361-002-00	7 19	V305-260-012-00	57 3	V401-160-006-00	16 26
V211-561-001-60	10 38	V305-260-020-00	33 8		16 34
	11 39	V328-262-110-00	25 12		20 3
V211-561-002-00	3 3		25 22		40 7
	10 37		26 19		44 11
	11 38		27 14	V401-160-008-00	1 8
	54 8	V328-262-112-00	25 8		7 16
	54 50		25 28		9 4
V211-561-002-50	26 6		28 19		9 19
	27 6		29 18		10 21
	32 3	V334-260-010-00	25 17		11 23
	32 5	V334-460-010-00	54 12		30 8
	32 8		54 19	V401-160-010-00	1 4
	32 11	V335-260-012-00	25 26		6 20
V211-561-003-00	32 9	V350-160-004-00	36 30		7 21
V211-660-802-00	3 5		37 30		10 35
V251-261-004-5D	10 7	V350-160-006-00	36 15		11 36
	11 7		37 15		13 69
V271-160-602-50	3 8	V360-260-005-00	38 10-A		18 5
	4 7		39 10		21 6
V301-260-005-00	38 10	V360-260-006-00	5 7		23 22
V301-260-006-00	1 10		56 17		54 13
	6 6	V361-260-006-00	36 35		54 20
	7 5		37 35	V401-160-012-00	25 29
	40 6	V362-260-008-00	34 12		28 21
	44 9	V363-260-008-00	6 22		29 20
V304-260-008-00	1 7		14 16	V401-160-016-00	23 9
	7 15		15 16	V411-260-003-00	43 19
	16 5		19 8		44 25
	16 52		26 11		54 33
	20 13		26 24	V411-260-006-00	8 10
	54 44		26 27		44 10
	54 46		27 20	V411-260-008-00	16 22
V304-260-010-00	2 25		36 41		16 29
	8 7		37 41		16 39
	13 70		38 7		16 51
	16 11		39 7		16 56
	16 31		54 35		20 9
	16 41	V363-260-010-00	2 24		22 10
	16 55		33 3		34 15
V304-260-020-00	33 8-A	V401-160-003-00	43 18		36 21
V304-460-008-00	9 14		44 24		36 26
V304-460-010-00	21 5		54 32		37 21
V304-460-016-00	23 10	V401-160-005-00	38 11		37 26
V305-260-010-00	40 14	V401-160-006-00	1 11		38 4

Numerical Index

1631-097-100-10

Part Code	Fig. Key	Part Code	Fig. Key	Part Code	Fig. Key
V411-260-008-00	39 4	V500-163-001-50	34 16	V600-150-620-20	54 9
	41 3	V500-163-002-00	16 9	V600-150-620-30	25 19
	41 12		16 14	V600-150-620-50	31 5
	54 37		16 19	V653-430-403-00	10 2
	54 43		16 59		10 9
V411-260-010-00	2 26		17 3		11 2
	6 21		20 22		11 10
	7 22		20 26	V654-418-221-60	54 67
	8 8		34 6	V704-140-012-00	54 15
	16 8		40 11	V704-140-015-00	22 3
	16 58	V500-163-002-50	14 28		22 6
	17 2		15 28		54 17
	20 21		16 47		54 40
	20 25		22 15	V704-140-016-00	18 9
	22 14		25 9	V704-140-017-00	19 5
V411-260-012-00	26 20		25 30	V704-140-020-00	13 54
	27 15		28 22	V704-140-025-00	12 3
	16 10		29 21		23 6
	16 13		33 5	V705-140-020-00	9 12
	16 18		33 10	V705-140-030-00	13 14
V411-260-014-00	28 20		34 10		13 56
	29 19		54 26	V705-140-035-00	54 10
	34 5	V500-163-003-00	16 36	V705-140-040-00	13 53
	14 27		34 3		25 20
	15 27	V500-164-003-00	14 29	V705-140-042-00	10 3
V411-260-018-00	16 46		15 29		10 10
	33 4	V560-160-008-00	41 13		11 3
	33 9	V580-140-401-00	13 55		11 11
	34 9	V580-140-502-50	54 69		28 9
	25 5	V580-140-503-20	25 6		29 8
V411-260-020-00	16 35	V580-140-602-50	16 2		29 13
	34 2	V600-110-600-40	29 11	V705-140-047-00	23 7
V500-162-501-50	8 11		54 63		28 14
	41 5		54 71	V705-140-052-00	13 52
	54 38	V600-110-600-50	12 7	V706-140-040-00	28 31
V500-162-502-00	25 13	V600-110-600-70	54 72	V720-101-900-60	58 9
	25 24	V600-110-620-40	12 9	V720-102-401-50	54 3
V500-163-001-50	26 21		28 12	V720-102-401-60	30 13
	27 16	V600-110-620-50	12 10	V720-102-401-80	14 2
	16 23	V600-110-620-70	18 10		14 11
	16 30	V600-110-630-40	12 13		15 2
	16 40	V600-110-630-50	12 12		15 11
	16 57	V600-140-600-40	29 12	V720-102-402-20	14 3
	20 10	V600-140-620-40	28 13		15 3
	22 11	V600-150-600-50	23 5	V720-103-502-40	14 7

Numerical Index

1631-097-100-10

Part Code	Fig. Key	Part Code	Fig. Key	Part Code	Fig. Key
V720-103-502-60	14 8				
V720-103-502-80	15 7				
V720-103-503-00	15 8				
V720-111-900-80	13 65				
V720-112-401-10	13 67				
V720-112-401-40	14 32				
	15 32				
V721-103-103-00	12 5				
V721-103-104-50	10 15				
	11 16				
	12 6				
V721-103-105-50	58 11				
V723-102-004-00	30 11				
V723-102-005-60	30 5				
V740-130-420-80	10 5				
	10 12				
	11 5				
	11 13				
V742-120-420-60	28 10				
	29 9				
V744-115-250-70	30 4				
V744-120-350-70	10 14				
	11 15				
	54 55				
V744-130-420-80	10 4				
	10 11				
	11 4				
	11 12				
V744-135-550-80	54 59				
V760-150-000-00	20 2				
	24 11				
	54 4				
V762-150-000-00	16 25				
	16 33				
	24 12				
V780-140-000-2T	30 17				
V781-160-000-40	54 60				
V999-200-003-00	21 3				
	31 3				
	53 3				
W201-261-206-00	57 2				

Alphabetical Index

6003-097-140-10

Description	Fig. Key	Description	Fig. Key	Description	Fig. Key
CYLINDERHEAD ASSY	1 1	BOLT	12 18	CAP/RABBER	33 21
ARM, CONTROL	22 30		16 7	CARTRIDGE, OIL FILTER	17 15
ARM, FLOATING	22 18		16 10	CARTRIDGE/OILFILTER	17 15-A
ARM, TENSION	24 1		17 7	CLAMP	35 9
ARM/CONTROL	22 30-A		20 4		35 9-A
ARM/FLOATING COMP	22 18-A		25 9	CLAMP, 7	27 8
ARMATURE	33 3		26 9	CLAMP, HARNESS D	19 31
ARMATURE/STARTE ASSY	34 5		32 39	CLAMP, STRAINER	17 10
BALL	1 5	BOLT AEARNUKI	32 41	CLAMP/WIRE/10-15	18 21
	33 15	BOLT, ADJUST	5 27		19 21
BEARING, BALL	33 4	BOLT, CONN ROD	14 6		19 21-B
	33 5	BOLT, EYE	32 37	CLIP/HOSE/13. 8-14. 8	19 21-A
	35 4	BOLT, JOINT	17 13	CLIP/HOSE/6. 2-6. 7	23 6
BEARING, RB/6002	10 46	BOLT, SEMS/M10X20	8 3	CLIP/HOSE/7. 6-8. 2	23 5
BEARING, RB/6004	22 12		9 3	CLUTCH/STARTER ASSY	34 6
BEARING, RB/6203	10 47	BOLT, SEMS/M6X12	13 5	COLLAR	35 5
	22 11		22 14	CONNECTINGROD ASSY	14 5-A
BEARING, THRUST CRANK	5 13	BOLT, SEMS/M8X16	8 4	CONNECTOR, GLOW PLUG	27 4
	6 2		9 4	CONNECTOR, OIL FILTER	10 2
	6 4	BOLT, SEMS/M8X25 7T	4 3	CONNECTOR/FUEL	23 1
BEARING/CONN ROD	14 8	BOLT/CONNECTINGROD	14 6-A	CONNECTOR/GLOWPLUG	27 4-A
BEARING/CONNECTING R	6 5		14 6-B		27 4-B
	6 6	BOLT/CRANK	16 10-A	CONTROLROD	32 33
	14 8-A	BOLT/FLANGE	16 7-A	CONTROLSLEEVE	32 36-A
	14 8-B	BOLT/M10X1. 25X82	1 7	COUPLER	35 10
BEARING/CRANK/LOWER	5 12	BOLT/M6	10 32	COVER	10 48
BEARING/CRANK/UPPER	5 11		10 33		34 11
BEARING/NEEDLE	34 8	BOLT/M6X10	22 16	COVER, CYLINDER HEAD	2 1
	34 9	BOLT/M6X18	22 7	COVER, INJ PUMP	5 23
BEARING/OILLESS	34 12		22 25	COVER/CYLINDER HEAD	2 1-A
	34 14	BOLT/THROUGH	34 30	CRANKSHAFT ASSY	16 1-A
	34 16	BOLT/WS	17 6		16 1-B
BEARING/WATER PUMP	18 3		33 18		16 1-C
	19 3	BRACKET ROCKER SHAFT	12 12		16 1-D
BEARING/WATERPUMP	18 4	BRACKET, ROCKER SHAFT	12 13	CUP/SEALING/12	5 7-A
	19 4	BRUSH/STARTER	34 2	CUP/SEALING/16	10 4
BEARING/WITH SHOCKAB	34 13	CAMSHAFT/INJPUMP	22 8-A	CUP/SEALING/28	5 3-A
BELT/VHM34. 5/FAN	20 5	CAP	23 4	CUP/SEALING/36	5 4-A
BODY/OILPUMP	17 2		35 13	CUTTER, VALVE	12 5
	17 2-A	CAP, BLANK/30	10 21	CYLINDERBLOCK ASSY	5 1
BODY/WATERPUMP	18 2	CAP, OIL FILLER	2 2		5 1-A
	19 2	CAP, SEALING	1 2	CYLINDERHEAD ASSY	1 1-A
BOLT	1 7-A		5 3		1 1-B
	5 2		5 4		1 1-C
	10 37		5 7	DOWEL	5 20

Alphabetical Index

6003-097-140-10

Description	Fig. Key	Description	Fig. Key	Description	Fig. Key
DOWEL	5 20-A	GASKET	27 6	GEAR/INJECTIONPUMP	22 9-A
EYE	29 18		28 5-A		22 9-B
FAN, COOLING	20 1		28 5-B	GEAR/OILPUMP ASSY	17 3
FLANGE BOLT	3 3		28 22		17 3-A
	3 4		29 17	GEAR/STARTER PLANETA	34 17
	5 25		30 16	GEAR/STARTERINTERNAL	34 18
	7 4		31 17	GEARCASE ASSY	10 1
	10 6		32 5		10 1-A
	10 7		32 38	GENERATOR/12V-8.5A	25 1
	10 8		32 40		26 1
	10 9	GASKET, EXH. MANIFOLD	4 2	GLOWPLUG	27 3-A
	10 10		28 7		27 3-B
	10 11	GASKET, INLET MANIFOL	3 2	HANGER	11 1
	10 13		28 6		11 1-A
	10 14	GASKET, NOZZLE	21 2	HOLDER ASSY	33 9
	10 15	GASKET/COVER	5 24	HOLDER, DELIVERYVALVE	32 6
	10 42		10 49	HOLDER, NOZZLE ASSY	29 2
	10 43		28 11	HOLDER/NOZZLE ASSY	30 1
	10 44	GASKET/CYLINDERHEAD	1 6		31 1
	11 2		1 6-A	HOLDER/STARTER ASSY	34 3
	12 19		28 3	HOSE, RUBBER	18 20
	17 11		28 3-A		23 2
	18 13	GASKET/GEARCASE	10 27		23 3
	18 18		10 27-A	HOSE/RABBER	2 6
	18 25		28 14	HOSE/RUBBER	19 20
	18 26	GASKET/HOUSING	18 24	HOUSING, PUMP	32 1
	18 30		19 24	HOUSING/STARTER ASSY	33 7
	19 13		28 20		34 7
	19 18	GASKET/PLATE	10 36	HOUSING/THERMOSTAT	18 22
	19 25		10 36-A		19 22
	19 26		28 15		19 22-A
	19 30	GASKET/SPACER	18 16	INJECTIONNOZZLE ASSY	21 1-A
	25 4		19 16		21 1-B
	25 6		28 19	INJECTIONPUMP ASSY	22 1-A
	26 4	GASKET/WATER PUMP	18 12		22 1-B
	26 6		19 12	KEY	13 3
	27 7		28 18		16 4
FLYWEIGHT	22 15	GEAR, CAMSHAFT	13 2		22 10
FLYWHEEL	16 5	GEAR, CRANK SHAFT	16 3	KEY/07X05X09	13 3-A
FRAME/COMMUTATOR END	34 10	GEAR, IDLE	13 6		22 10-A
FRAME/STARTER END	33 11	GEAR, INJ PUMP	22 9	KEY/07X05X43	16 4-A
GASKET	2 5-A	GEAR, RING	16 6	LEVELGAGE	5 29
	2 5-B	GEAR/CAMSHAFT	13 2-A	LEVER, CONTROL	22 24
	18 8	GEAR/CRANK	16 3-A	LEVER/PINIONDRIVE	34 19
	19 8	GEAR/IDLE ASSY	13 6-A	LINK, CONTROL	22 19

Alphabetical Index

6003-097-140-10

Description	Fig. Key	Description	Fig. Key	Description	Fig. Key	
MANIFOLD (INLET) ASSY	3 1	O-RING	10 39	PIPE, PUMP HOUSING	18 23	
MANIFOLD/EXH.	4 1		18 29		19 23	
METAL, CRANK SET	5 10		19 29		PIPE, WATER DRAIN	5 22
	6 1		28 16		PIPE, WATER OUTLET	18 28
	6 3		28 21		19 28	
NIPPLE	5 21	ORING	32 7	PIPE/FUEL	23 2-A	
NOZZLE	29 1		32 10	PIPE/INJECTION ASSY	21 3-A	
	30 18		32 7-A	21 4-A		
	31 16		32 10-A	21 5-A		
NOZZLE, INJ. ASSY	21 1	O-RING/P 8	22 27	PIPE/WATER PUMP	18 11	
NUT	5 28	O-RING/P15	17 9	PISTON	19 11	
	10 34		28 17		14 1	
	12 17	O-RING/P18	7 3	14 1-A		
	22 26	PACKING	2 5	PISTON/OV	15 1	
	22 31		10 20	15 1-A		
	29 19	PAN, OIL COMP	17 14	PISTON/RELIEF VALVE	15 3	
	30 17		17 14-A		15 3-A	
	31 18		28 5		10 29	
	33 20		28 13		PISTON/VALVE/RELIEF	10 29-A
	34 28		7 1		10 29-B	
	34 29	PIECE, THRUST	22 17	PLATE	32 34	
	34 34	PIN	16 2		34 27	
	35 8		16 2-A		35 1	
NUT, CAP	2 4		32 9	PLATE COMP	35 1-A	
NUT, CAP/M 8	10 19		32 13	PLATE (CONTROLLEVER)	22 29-A	
NUT, RETAINING	29 16	PIN, ADAPTER	24 2	PLATE, ADJUST	25 3	
	30 15	PIN, CONTROL LINK	22 20	PLATE, CONTROL VALVE	22 29	
NUT/CAP	2 4-A	PIN, GROOVE	10 26	PLATE, FRONT	10 35	
NUT/FLANGE	14 7	PIN, PISTON	14 3	PLATE, THRUST	13 4	
NUT/M08	10 12	PIN, STARTING SPRING	5 26	PLATE, THRUST INJPUMP	22 13	
	12 20	PIN, TUBE	5 15	PLATE/ADJUST	25 3-A	
	18 14		10 41		26 3	
	18 19	PIN/ARM	10 22	PLATE/FRONT	10 35-A	
	19 14	PIN/IDLEGEAR	5 6		10 35-B	
	19 19	PIN/STRAIGHT	5 16	PLATE/REAR COMP	8 1	
NUT/M10	25 7	PIN/TUBE	5 17		9 1	
	26 7		17 5	PLATE/T=1. 80	32 18	
NUT/M8	10 18		17 5-A	PLATE/T=1. 85	32 19	
	33 23		5 15-A	PLATE/T=1. 90	32 20	
	34 32		10 41-A	PLATE/T=1. 95	32 21	
NUT/NOZZLERETAINING	31 15	PINION, STARTER	33 12	PLATE/T=2. 00	32 22	
NUT/PINIONSTOP	34 23	PIPE, INJ	21 3	PLATE/T=2. 05	32 23	
OILPUMP ASSY	17 1-A		21 4	PLATE/T=2. 10	32 24	
OILSEAL	5 14-A	PIPE, INJECTION ASSY	21 5	PLATE/T=2. 15	32 25	
	28 10-A	PIPE, OIL	17 12	PLATE/T=2. 20	32 26	

Alphabetical Index

6003-097-140-10

Description	Fig. Key	Description	Fig. Key	Description	Fig. Key
PLATE/T=2. 25	32 27	RING, SNAP/12 C	10 31	SEAT, SPRING	32 16
PLATE/T=2. 30	32 28	RING, SNAP/16 C	12 15		32 17
PLATE/T=2. 35	32 29	RING, SNAP/40 C	10 40	SEAT, VALVE SPRING	12 4
PLATE/T=2. 40	32 30	RING/PISTON SET	14 2-A	SHAFT, CAM	13 1
PLATE/T=2. 45	32 31		14 2-B	SHAFT, CAM/INJ. PUMP	22 8
PLATE/T=2. 50	32 32	RING/PISTON SET	14 2	SHAFT, CRANK ASSY	16 1
PLATE/WATER PUMP	18 9	RING/PISTON/OV SET	15 2-A	SHAFT, HYD. ASSY	10 45
	19 9		15 4-A	SHAFT, ROCKER ASSY	12 8
PLUG	5 5	RING/SNAP	34 21	SHAFT, ROCKER ARM ASSY	12 10
	10 3		34 22	SHAFT/HYDRAULIC ASSY	10 45-A
	10 24	RINGGEAR	16 6-A	SHAFT/ROCKERARM ASSY	12 10-A
	12 11	ROCKERARM	12 9	SHAFT/STARTER PLANET	34 15
	32 41-A	ROCKERSHAFT ASSY	12 8-A	SHIM/0. 10	29 5
PLUG (M14X15)	7 2	ROD, CONNECTING	14 5		30 4
PLUG, GLOW	27 3	ROD, PUSH	12 7		31 2
PLUG/M14X1. 5	7 2-A	RORA	33 13	SHIM/0. 20	29 6
	7 2-B	ROTOR/OUTER	17 4		30 5
	7 2-C	ROTOR/WATERPUMP	18 6		31 3
PLUG/PT1/2	1 3		19 6	SHIM/0. 30	29 7
	1 3-A	SCREW	32 11		30 6
PLUG/SCREW	10 24-A		32 35		31 4
PLUNGER ASSY	32 2		33 17	SHIM/0. 40	29 8
POINTER	8 2		34 33		30 7
	9 2		35 11		31 5
PULLEY	16 8		35 12	SHIM/0. 50	29 9
PULLEY COMP	35 3	SCREW ADJUST	12 16		30 8
PULLEY, WATER PUMP	35 3-A	SCREW/WATER PUMP	18 10		31 6
	20 2		19 10	SHIM/0. 52	29 10
	20 2-A	SCREW/WS	33 19		30 9
PUMP, INJECTION ASSY	22 1	SEAL SET/WATER PUMP	18 5		31 7
PUMP, OIL ASSY	17 1		19 5	SHIM/0. 54	29 11
REGULATOR	25 2	SEAL, BEARING CAP	5 8		30 10
	26 2		28 8		31 8
	26 2-A	SEAL, BEARING CAP/7	5 9	SHIM/0. 56	29 12
	26 2-B		28 9		30 11
RELAY, SOLENOID	27 9	SEAL, CYL. HEAD COVER	2 3		31 9
REPAIR/ENGINE SET	28 1		28 4	SHIM/0. 58	29 13
RETAINER	33 14	SEAL, OIL	1 4		30 12
RING, SET	15 2		5 14		31 10
	15 4		10 5	SHIM/0. 80	29 14
RING, SNAP	14 4		28 2		30 13
	32 14		28 10		31 11
RING, SNAP/ 4 E	10 23		28 12	SHIM/INJECTION P/0. 1	22 3
	22 21	SEAL/WATER PUMPPULLE	18 7	SHIM/INJECTION P/0. 2	22 4
	24 3		19 7	SHIM/INJECTION P/0. 3	22 2

Alphabetical Index

6003-097-140-10

Description	Fig. Key	Description	Fig. Key	Description	Fig. Key
SHIM/INJECTION P/0. 4	22 5	STUD	1 8-A	WATERPUMP ASSY	19 1
SHIM/INJECTION P/0. 5	22 6		5 19	YOKE/STARTER	33 1
SHIM/INJECTIONPUMP	22 2-A		18 17	YOKE/STARTER ASSY	34 1
	22 4-A		19 17		
	22 5-A	STUD, HEAD COVER	1 8		
	22 6-A	STUD/M8X40	5 18		
SLEEVE, CONTROL	32 36	SWITCH, THERMETER	27 2		
SLEEVE, FRANGE	32 8	SWITCH/MAGNETIC ASSY	34 20		
SOLENOID	27 5	SWITCH/OILPRESSURE	27 1		
SPACER	29 15	SWITCH/STARTER ASSY	33 8-A		
	30 14	SWITCH/STARTER ASSY	33 8		
	31 14	TAPPET	12 6		
SPACER, FAN/39	20 3		12 6-A		
SPACER, HYD, REAR	10 38		12 6-B		
SPACER, WATER PUMP	18 15		32 12		
	19 15	THERMOSTAT	18 27		
SPRING	12 14		19 27		
	33 16	THRUSTPIECE	22 17-A		
SPRING, BRUSH	33 10	VALVE, DELIVERY	32 3		
SPRING, DELIVERYVALVE	32 4	VALVE, EXHAUST	12 2		
	22 23	VALVE, INTAKE	12 1		
SPRING, GOVERNOR	29 4	VALVE/EXHAUST	12 2-A		
	30 3		12 2-B		
	31 12		12 2-C		
SPRING, PLUNGER	32 15	VALVE/INTAKE	12 1-A		
	22 28		12 1-B		
SPRING, RETURN	22 22	VALVE/RELIEF ASSY	10 28		
SPRING, SETTING	22 34		10 28-A		
SPRING, STARTING	10 30		10 28-B		
SPRING/RELIEF VALVE	34 4	WASHER	16 9		
SPRING/STARTING	22 34-A		33 22		
SPRING/VALVE	12 3		34 31		
	12 3-A		35 6		
SPRINGSEAT	29 3		35 7		
	30 2	WASHER / M6	22 32		
	31 13	WASHER, SP/M 6	22 33		
STARTER	35 2	WASHER/08X14X01	10 16		
STARTER ASSY	25 8-A		10 25		
	26 8		28 23		
STARTER ASSY	25 8	WASHER/9X22X2	25 5		
	33 2		26 5		
STARTER KIT	33 6	WASHER/SK	34 24		
STOPPER, FULL-LOAD	10 17		34 25		
STRAINER	17 8		34 26		
STRAINER COMP	17 8-A	WATERPUMP ASSY	18 1		

Alphabetical Index

6003-097-150-10

Description	Fig. Key	Description	Fig. Key	Description	Fig. Key
CYLINDERHEAD ASSY	1 1	BODY/WATERPUMP	18 2	BOLT/M6X10	22 16
ARM, CONTROL	22 30		19 2	BOLT/M6X18	22 7
ARM, FLOATING	22 18	BOLT	1 7-A		22 25
ARM, TENSION	24 1		5 2	BOLT/THROUGH	34 30
ARM/CONTROL	22 30-A		10 37	BOLT/WS	17 6
ARM/FLOATING COMP	22 18-A		12 18		33 18
ARMATURE	33 3		16 10	BRACKET ROCKER SHAFT	12 12
ARMATURE/STARTE ASSY	34 5		17 7	BRACKET, ROCKER SHAFT	12 13
BALL	1 5		20 4	BRUSH	35 17
	33 15		25 8		36 17
BEARING	35 5		26 8	BRUSH/STARTER	34 2
	35 11		32 39	BUSH	35 15
	36 5		35 9		36 15
	36 10		35 10	CAMSHAFT/INJPUMP	22 8-A
BEARING, BALL	33 4		35 19	CAP	23 4
	33 5		35 20	CAP, BLANK/30	10 21
BEARING, RB/6002	10 46		35 21	CAP, OIL FILLER	2 2
BEARING, RB/6004	22 12		35 22	CAP, SEALING	1 2
BEARING, RB/6203	10 47		35 24		5 3
	22 11		36 9		5 4
BEARING, THRUST CRANK	5 13		36 11		5 7
	6 2		36 19	CAP/RABBER	33 21
	6 4		36 20	CARTRIDGE, OIL FILTER	17 15
BEARING/BALL	35 6		36 21	CARTRIDGE/OILFILTER	17 15-A
	35 11-A		36 22	CLAMP, 7	27 8
BEARING/CONN ROD	14 8		36 24	CLAMP, HARNESS D	19 31
BEARING/CONNECTING R	6 5	BOLT AEARNUKI	32 41	CLAMP, STRAINER	17 10
	6 6	BOLT, ADJUST	5 27	CLAMP/WIRE/10-15	18 21
	14 8-A	BOLT, CONN ROD	14 6		19 21
	14 8-B	BOLT, EYE	32 37		19 21-B
BEARING/CRANK/LOWER	5 12	BOLT, JOINT	17 13	CLIP/HOSE/13. 8-14. 8	19 21-A
BEARING/CRANK/UPPER	5 11	BOLT, SEMS/M10X20	8 3	CLIP/HOSE/6. 2-6. 7	23 6
BEARING/NEEDLE	34 8		9 3	CLIP/HOSE/7. 6-8. 2	23 5
	34 9	BOLT, SEMS/M6X12	13 5	CLUTCH/STARTER ASSY	34 6
BEARING/OILLESS	34 12		22 14	COLLOR	35 3
	34 14	BOLT, SEMS/M8X16	8 4		36 3
	34 16		9 4	CONNECTINGROD ASSY	14 5-A
BEARING/WATER PUMP	18 3	BOLT, SEMS/M8X25 7T	4 3	CONNECTOR, GLOW PLUG	27 4
	19 3	BOLT/CONNECTINGROD	14 6-A	CONNECTOR, OIL FILTER	10 2
BEARING/WATERPUMP	18 4		14 6-B	CONNECTOR/FUEL	23 1
	19 4	BOLT/CRANK	16 10-A	CONNECTOR/GLOWPLUG	27 4-A
BEARING/WITH SHOCKAB	34 13	BOLT/FLANGE	16 7		27 4-B
BELT VHM034	20 5	BOLT/M10X1. 25X82	1 7	CONTROLROD	32 33
BODY/OILPUMP	17 2	BOLT/M6	10 32	CONTROLSLEEVE	32 36-A
	17 2-A		10 33	COVER	10 48

Alphabetical Index

6003-097-150-10

Description	Fig. Key	Description	Fig. Key	Description	Fig. Key
COVER	34 11	FLANGE BOLT	18 18	GASKET/CYLINDER HEAD	1 6
	35 13		18 25		1 6-A
	36 13		18 26		28 3
	35 5-A		18 30		28 3-A
	36 6		19 13		10 27
COVER, BEARING				GASKET/GEAR CASE	
COVER, CYLINDER HEAD	2 1		19 18		10 27-A
COVER, INJ PUMP	5 23		19 25		28 14
COVER/CYLINDER HEAD	2 1-A		19 26	GASKET/HOUSING	18 24
CRANKSHAFT ASSY	16 1-A		19 30		19 24
	16 1-B		25 3		28 20
	16 1-C		25 5	GASKET/PLATE	10 36
	16 1-D		26 3		10 36-A
CUP/SEALING/12	5 7-A		26 5		28 15
CUP/SEALING/16	10 4		27 7	GASKET/SPACER	18 16
CUP/SEALING/28	5 3-A	FLYWEIGHT	22 15		19 16
CUP/SEALING/36	5 4-A	FLYWHEEL	16 5		28 19
CUTTER, VALVE	12 5	FRAME	35 12	GASKET/WATER PUMP	18 12
CYLINDERBLOCK ASSY	5 1		36 12		19 12
	5 1-A	FRAME ASSY	35 7		28 18
CYLINDERHEAD ASSY	1 1-A	FRAME, DRIVE END ASSY	36 7	GEAR, CAMSHAFT	13 2
	1 1-B	FRAME/COMMUTATOR END	34 10	GEAR, CRANK SHAFT	16 3
DOWEL	5 20	FRAME/DRIVE END ASSY	35 7-A	GEAR, IDLE	13 6
	5 20-A	FRAME/STARTER END	33 11	GEAR, INJ PUMP	22 9
EYE	29 18	GASKET	2 5-A	GEAR, RING	16 6
FAN, COOLING	20 1		2 5-B	GEAR/CAMSHAFT	13 2-A
FLANGE BOLT	3 3		18 8	GEAR/CRANK	16 3-A
	3 4		19 8	GEAR/IDLE ASSY	13 6-A
	5 25		27 6	GEAR/INJECTION PUMP	22 9-A
	7 4		28 5-A		22 9-B
	10 6		28 5-B	GEAR/OIL PUMP ASSY	17 3
	10 7		28 22		17 3-A
	10 8		29 17	GEAR/STARTER PLANETA	34 17
	10 9		30 16	GEAR/STARTER INTERNAL	34 18
	10 10		31 17	GEAR CASE ASSY	10 1
	10 11		32 5		10 1-A
	10 13		32 38	GENERATOR ASSY	25 1
	10 14		32 40	GENERATOR ASSY	25 1-A
	10 15	GASKET, EXH. MANIFOLD	4 2		26 1
	10 42		28 7	GLOW PLUG	27 3-A
	10 43	GASKET, INLET MANIFOLD	3 2		27 3-B
	10 44		28 6	HANGER	11 1
	11 2	GASKET, NOZZLE	21 2		11 1-A
	12 19	GASKET/COVER	5 24	HOLDER ASSY	36 14
	17 11		10 49	HOLDER ASSY	33 9
	18 13		28 11		35 14

Alphabetical Index

6003-097-150-10

Description	Fig. Key	Description	Fig. Key	Description	Fig. Key
HOLDER, BRUSH ASSY	35 16	NUT	10 34	O-RING	32 10
	36 16		12 17	ORING	32 7-A
HOLDER, DELIVERYVALVE	32 6		22 26		32 10-A
HOLDER, NOZZLE ASSY	29 2		22 31	O-RING/P 8	22 27
HOLDER/BRUSH ASSY	35 16-A		29 19	O-RING/P15	17 9
HOLDER/NOZZLE ASSY	30 1		30 17		28 17
	31 1		31 18	O-RING/P18	7 3
HOLDER/STARTER ASSY	34 3		33 20	PACKING	2 5
HOSE, RUBBER	18 20		34 28		10 20
	23 2		34 29		17 14
	23 3		34 34		17 14-A
HOSE/RABBER	2 6		35 2		28 5
HOSE/RUBBER	19 20		35 23		28 13
HOUSING, PUMP	32 1		35 25	PAN, OIL COMP	7 1
HOUSING/STARTER ASSY	33 7		36 2	PIECE, THRUST	22 17
	34 7		36 23	PIN	16 2
HOUSING/THERMOSTAT	18 22		36 25		16 2-A
	19 22	NUT, CAP	2 4		32 9
	19 22-A	NUT, CAP/M 8	10 19		32 13
INJECTIONNOZZLE ASSY	21 1-A	NUT, RETAINING	29 16	PIN, ADAPTER	24 2
	21 1-B		30 15	PIN, CONTROL LINK	22 20
INJECTIONPUMP ASSY	22 1-A	NUT/CAP	2 4-A	PIN, GROOVE	10 26
	22 1-B	NUT/FLANGE	14 7	PIN, PISTON	14 3
KEY	13 3	NUT/M08	10 12	PIN, STARTING SPRING	5 26
	16 4		12 20	PIN, TUBE	5 15
	22 10		18 14		10 41
KEY/07X05X09	13 3-A		18 19	PIN/ARM	10 22
	22 10-A		19 14	PIN/IDLEGEAR	5 6
KEY/07X05X43	16 4-A		19 19	PIN/STRAIGHT	5 16
LEVELGAGE	5 29	NUT/M10	25 6		5 17
	5 29-A		26 6		17 5
LEVER, CONTROL	22 24	NUT/M8	10 18		17 5-A
LEVER/PINIONDRIVE	34 19		33 23	PIN/TUBE	5 15-A
LINK, CONTROL	22 19		34 32		10 41-A
MANIFOLD (INLET) ASSY	3 1	NUT/NOZZLERETAINING	31 15	PINION, STARTER	33 12
MANIFOLD/EXH.	4 1	NUT/PINIONSTOP	34 23	PIPE, INJ	21 3
METAL, CRANK SET	5 10	OILPUMP ASSY	17 1-A		21 4
	6 1	OILSEAL	5 14-A	PIPE, INJECTION ASSY	21 5
	6 3		28 10-A	PIPE, OIL	17 12
NIPPLE	5 21	O-RING	10 39	PIPE, PUMP HOUSING	18 23
NOZZLE	29 1		18 29		19 23
	30 18		19 29	PIPE, WATER DRAIN	5 22
	31 16		28 16	PIPE, WATER OUTLET	18 28
NOZZLE, INJ. ASSY	21 1		28 21		19 28
NUT	5 28		32 7	PIPE/FUEL	23 2-A

Alphabetical Index

6003-097-150-10

Description	Fig. Key	Description	Fig. Key	Description	Fig. Key
PIPE/INJECTION ASSY PIPE/WATER PUMP	21 3-A	PLATE/WATER PUMP PLUG	18 9	RING/SNAP RINGGEAR ROCKERARM ROCKERSHAFT ASSY	34 21
	21 4-A		19 9		34 22
	21 5-A		5 5		16 6-A
	18 11		10 3		12 9
	19 11		10 24		12 8-A
PISTON PISTON/OV	14 1	PLUG (M14X15) PLUG, GLOW PLUG/M14X1.5	12 11	ROD, CONNECTING ROD, PUSH RORA ROTOR ASSY ROTOR ASSY	14 5
	14 1-A		32 41-A		12 7
	15 1		7 2		33 13
	15 1-A		27 3		35 4-A
15 3	7 2-A	35 4			
PISTON/RELIEF VALVE PISTON/VALVE/RELIEF PLATE	15 3-A	PLUG/PT1/2 PLUG/SCREW	7 2-B	ROTOR/OUTER ROTOR/WATERPUMP SCREW	36 4
	10 29		7 2-C		17 4
	10 29-A		1 3		18 6
	10 29-B		1 3-A		19 6
32 34	10 24-A	32 11			
PLATE (CONTROLLEVER) PLATE, CONTROL VALVE	34 27	PLUNGER ASSY POINTER PULLEY	32 2	SCREW ADJUST SCREW/WATER PUMP	32 35
	35 8		8 2		33 17
	36 8		9 2		34 33
	22 29-A		16 8		12 16
	22 29		35 1		18 10
PLATE, FRONT PLATE, THRUST PLATE, THRUST INJPUMP PLATE/ADJUST	10 35	PULLEY, WATER PUMP PUMP, INJECTION ASSY PUMP, OIL ASSY	36 1	SCREW/WS SEAL SET/WATER PUMP SEAL, BEARING CAP	19 10
	13 4		20 2		33 19
	22 13		20 2-A		18 5
	25 2		22 1		19 5
	25 2-A		17 1		5 8
PLATE/FRONT PLATE/REAR COMP	26 2	REGULATOR ASSY RELAY, SOLENOID REPAIR/ENGINE SET RETAINER	35 26	SEAL, BEARING CAP/7 SEAL, CYL. HEAD COVER	28 8
	10 35-A		36 26		5 9
	10 35-B		27 9		28 9
	8 1		28 1		2 3
9 1	33 14	28 4			
PLATE/T=1.80 PLATE/T=1.85 PLATE/T=1.90 PLATE/T=1.95 PLATE/T=2.00	32 18	RING, SET RING, SNAP RING, SNAP/ 4 E	15 2	SEAL, OIL	1 4
	32 19		15 4		5 14
	32 20		14 4		10 5
	32 21		32 14		28 2
	32 22		10 23		28 10
PLATE/T=2.05 PLATE/T=2.10 PLATE/T=2.15 PLATE/T=2.20 PLATE/T=2.25	32 23	RING, SNAP/12 C RING, SNAP/16 C RING, SNAP/40 C	22 21	SEAL/WATER PUMPPULLE SEAT, SPRING	28 12
	32 24		24 3		18 7
	32 25		10 31		19 7
	32 26		12 15		32 16
	32 27		10 40		32 17
PLATE/T=2.30 PLATE/T=2.35 PLATE/T=2.40 PLATE/T=2.45 PLATE/T=2.50	32 28	RING/PISTON SET RING/PISTON SET RING/PISTON/OV SET	14 2-A	SEAT, VALVE SPRING SHAFT, CAM SHAFT, CAM/INJ. PUMP SHAFT, CRANK ASSY SHAFT, HYD. ASSY	12 4
	32 29		14 2-B		13 1
	32 30		14 2		22 8
	32 31		15 2-A		16 1
	32 32		15 4-A		10 45

Alphabetical Index

6003-097-150-10

Description	Fig. Key	Description	Fig. Key	Description	Fig. Key
SHAFT, ROCKER ASSY	12 8	SLEEVE, FRANGE	32 8	SWITCH, THERMETER	27 2
SHAFT, ROCKER ARM ASSY	12 10	SOLENOID	27 5	SWITCH/MAGNETIC ASSY	34 20
SHAFT/HYDRAULIC ASSY	10 45-A	SPACER	29 15	SWITCH/OILPRESSURE	27 1
SHAFT/ROCKERARM ASSY	12 10-A		30 14	SWITCH/STARTER ASSY	33 8-A
SHAFT/STARTER PLANET	34 15		31 14	SWITCH/STARTER ASSY	33 8
SHIM/0. 10	29 5	SPACER, FAN/39	20 3	TAPPET	12 6
	30 4	SPACER, HYD, REAR	10 38		12 6-A
	31 2	SPACER, WATER PUMP	18 15		12 6-B
SHIM/0. 20	29 6		19 15		32 12
	30 5	SPRING	12 14	THERMOSTAT	18 27
SHIM/0. 30	31 3		33 16		19 27
	29 7		35 18	THRUSTPIECE	22 17-A
	30 6		36 18	VALVE, DELIVERY	32 3
	31 4	SPRING, BRUSH	33 10	VALVE, EXHAUST	12 2
SHIM/0. 40	29 8	SPRING, DELIVERYVALVE	32 4	VALVE, INTAKE	12 1
SHIM/0. 50	30 7	SPRING, GOVERNOR	22 23	VALVE/EXHAUST	12 2-A
	31 5	SPRING, NOZZLE	29 4		12 2-B
	29 9		30 3		12 2-C
	30 8		31 12	VALVE/INTAKE	12 1-A
	31 6	SPRING, PLUNGER	32 15		12 1-B
SHIM/0. 52	29 10	SPRING, RETURN	22 28	VALVE/RELIEF ASSY	10 28
	30 9	SPRING, SETTING	22 22		10 28-A
	31 7	SPRING, STARTING	22 34		10 28-B
SHIM/0. 54	29 11	SPRING/RELIEF VALVE	10 30	WASHER	16 9
	30 10	SPRING/STARTERBRUSH	34 4		33 22
SHIM/0. 56	31 8	SPRING/STARTING	22 34-A		34 31
	29 12	SPRING/VALVE	12 3	WASHER / M6	22 32
	30 11		12 3-A	WASHER, SP/M 6	22 33
	31 9	SPRINGSEAT	29 3	WASHER/08X14X01	10 16
SHIM/0. 58	29 13		30 2		10 25
SHIM/0. 80	30 12		31 13		28 23
	31 10	STARTER ASSY	25 7-A	WASHER/9X22X2	25 4
	29 14		26 7		26 4
	30 13	STARTER ASSY	25 7	WASHER/SK	34 24
	31 11	STARTER KIT	33 2		34 25
SHIM/INJECTION P/0. 1	22 3		33 6		34 26
SHIM/INJECTION P/0. 2	22 4	STOPPER, FULL-LOAD	10 17	WATERPUMP ASSY	18 1
SHIM/INJECTION P/0. 3	22 2	STRAINER	17 8		19 1
SHIM/INJECTION P/0. 4	22 5	STRAINER COMP	17 8-A	YOKE/STARTER	33 1
SHIM/INJECTION P/0. 5	22 6	STUD	1 8-A	YOKE/STARTER ASSY	34 1
SHIM/INJECTIONPUMP	22 2-A		5 19		
	22 4-A		18 17		
	22 5-A		19 17		
	22 6-A	STUD, HEAD COVER	1 8		
SLEEVE, CONTROL	32 36	STUD/M8X40	5 18		

Alphabetical Index

1631-097-100-10

Description	Fig. Key	Description	Fig. Key	Description	Fig. Key	
BLACKET/ENGINE/LH ADAPTER (90°) ORIFICE	1 1 14 18 15 18	BAND/202	5 25 30 35 43 9	BOLT (S) M10X25	20 7 23 15 54 52	
ADAPTER (90° /PUMP)	14 20 15 20		44 15 56 12		BOLT (S) M8X45	55 3 58 12
ADAPTER (FILTER/B)	30 20 14 30 15 30		23 11 23 11-A 23 11-B		BOLT (S) 7 BOLT (SP) /M6X16	10 38 11 39 5 6
ADAPTER (HIGH PRESS)	14 31 15 31		7 1 6 1			8 4 23 12
ADAPTER (LOW PRESS)	10 33 11 8 11 34		BEARING, NR/TA3030Z		10 2 10 9 11 2	
ADAPTER (STRAIGHT)	10 23 11 24	BEARING, RB/6004	11 10 29 11	BOLT, BATTERY	6 5 7 4	
ADAPTER/45° ADAPTER/L/G3/8 ASSY	30 15 14 31-A 15 31-A	BEARING, RB/6004S BEARING, RB/6005 BEARING, RB/6005SS	54 63 54 71 29 12	BOLT, KMOB BOLT, SEMS	40 12 6 18 7 19	
ARM (40)	54 41		12 7		10 19	
ARM (HOOK)	16 48		23 5		10 20	
ARM (HST/F) COMP	16 24		BEARING, RB/6007	54 72		11 21
ARM (HST/REVERSE)	16 32	BEARING, RB/6202SS	54 9		11 22	
ARM (LIFT)	34 1	BEARING, RB/6203SS	25 19		24 14	
ARM (PEDAL)	20 5	BEARING, RB/6204	12 9		28 2	
ARM, TENTION COMP	54 14		28 12		29 2	
ARM/BRAKE COMP	19 7 20 1	BEARING, RB/6204RS BEARING, RB/6205	28 13 12 10		30 9 30 22	
ARM/CONTROL ASSY	34 7	BEARING, RB/6205SS	31 5		37 38	
ARM/DRAG COMP	28 18 29 17	BEARING, RB/6207 BEARING, RB/6304	18 10 12 13		54 22 54 57	
ARM/HOOD	36 39 37 39	BEARING, RB/6305 BEARING, RB/7004	12 12 28 6	BOLT, SEMS (SP)	14 9 15 9	
ARM/KNUCKLE/LH COMP	25 1		29 6		16 62	
ARM/KNUCKLE/RH COMP	25 2	BEARING, RB/7202	28 7		26 10	
ARM/PITMAN COMP	25 18		29 7		27 19	
ARM/PTO ASSY	22 1	BELT/VB038	23 2		38 8	
AXLE/FRONT ASSY	24 9	BELT/VC-31	54 23		39 8	
BALLBEARING	13 26 13 27	BLACKET/ENGINE/LH BOLT	1 1-A 9 18	BOLT, SEMS (S) M8X12	36 9 37 9	
BAND	43 8	BOLT (S)/M10X45	13 68	BOLT, SEMS (S) M8X16	5 3	
BAND, HOSE	44 14 28 28 43 10	BOLT (S/N6X16)	36 12 37 12 42 14		6 11 7 10 10 16	
BAND, WIRE/250	44 16 5 14	BOLT (CONNECTER/PF1/2)	14 4 15 4		11 17 19 3	

Alphabetical Index

1631-097-100-10

Description	Fig. Key	Description	Fig. Key	Description	Fig. Key
BOLT, SEMS (S) M8X16	24 8 28 25	BOLT/M10X30 BOLT/M12X60	32 9 57 2	BOLT/SP	26 16-A 27 11
BOLT/5/16X25	30 18 30 18-A	BOLT/M6X25	3 8 4 7		27 11-A 27 17
BOLT/5/16X32	28 27	BOLT/M8X45	9 3		28 17
BOLT/8X20	28 27-A 3 5	BOLT/S	9 16 10 26		28 24-A 29 16
BOLT/M 8X100	10 22-A 11 20-A		11 27 14 5	BOLT/STUD/SEAL	42 11-A 10 7
BOLT/M 8X105	10 22		14 12		11 7
BOLT/M 8X20	11 20 9 13		14 13 15 5	BONDEDSEAL BOOT	13 66 40 4
BOLT/M 8X25	9 13-A		15 12		43 15
BOLT/M 8X35	16 4		15 13		44 21
BOLT/M 8X40	30 7		16 43	BRACKET, ENGINE/RH	1 2
BOLT/M 8X50	16 50 54 42		20 20 23 19	BRACKET, PTO/F BRACKET/ENGINE/RH	23 14 1 2-A
BOLT/M 8X60	14 15 15 15		26 23 26 26	BREATHER, TANK CAP BULB	41 7 42 3
BOLT/M 8X95	10 18		28 4	BULB, LAMP/12V21W	56 4
BOLT/M06X28	10 18-A 11 19 11 19-A 6 9 7 8		28 24 29 4 30 14 35 4 35 9	BUSH BUSH (12X14X20) BUSH, COLUMN BUSH/10X12X10	13 30 54 54 26 14 27 9 26 2
BOLT/M06X32	6 14 7 13		36 38 42 10	BUSH/15X17X11 BUSH/15X17X16	27 2 22 2
BOLT/M10X1.25X20	1 3 6 19 7 20		42 11 54 7 54 56	BUSH/22X40C37 BUSH/25X28X25	34 8 28 32 24 10
BOLT/M10X1.25X25	18 4		54 61	CABLE	6 12
BOLT/M10X20	3 3 10 37 11 38 54 8	BOLT/SP	56 16 1 15 2 8 2 19	CABLE, EARTH CABLE, WIRE	7 11 6 8 7 7 6 17
BOLT/M10X25	54 50 23 21 26 6 27 6 32 3		3 11 4 8 6 7 7 6 23 12-A	CABLE/ACCELERATOR CABLE/PTO ASSY CAP	7 18 8 1 22 9 2 2 42 6
BOLT/M10X30	32 5 32 8 32 11 10 34 11 35		23 17 23 17-A 24 6 26 8 26 16	CAP, BATTERY CAP, FUSE BOX CAP, SHAFT (A) COMP CAP, TANK	6 2 43 4 44 4 23 18 41 6

Alphabetical Index

1631-097-100-10

Description	Fig. Key	Description	Fig. Key	Description	Fig. Key
CAP, TIRE VALVE CAP/WHEEL	21 3	CLAMP/WORM/14-24	10 29	COVER/44X10 COVER/BODY COVER/COUPLING COVER/FRONT/C	25 3
	31 3		11 30		58 10
	53 3		30 24		9 2
	23 18-A		30 26		36 22
	31 8		30 33		37 22
CARTRIDGE ASSY CASE CASE (PTO/FRONT) CASE (PTO/RAER)	14 35	CLEANER, AIR ASSY	3 6	COVER/FRONT/LH COVER/FRONT/MESH	36 18
	15 35	CLEANER/AIR ASSY	4 1		37 18
	13 15	CLIP (B)	36 20		37 18-A
	54 53		36 25		36 14
	54 58		37 20		37 14
CASE, DIFF CASE/POWERSTEERING CASE/STEERING CASE/TRANSMISSION LH	18 1	CLIP/HOSE/10. 4-11. 1 CLIP/HOSE/8. 1-8. 7	37 25	COVER/FRONT/PTO COMP COVER/FRONT/RH COVER/GPF1	23 16-A
	28 23		41 17		36 23
	28 1		10 31		37 23
	29 1		11 32		37 23-A
	10 1		5 29		30 3
CASE/TRANSMISSION RH CASE/TRANSMISSION/LH CASE/TRANSMISSION/RH	10 8	COLLAR	13 25	COVER/LOWER ASSY COVER/REAR COVER/SIDE/LH COVER/SIDE/RH	36 27
	11 9	COLLAR (12X16X12)	16 17		37 27
	11 1-A	COLLAR (21X35X02)	54 64		24 3
	10 8-A	COLLAR, 26X32X14	31 7		36 16
	11 9-A	COLLAR, WHEEL THRUST	18 14		36 17
CASE/TRANSMISSION LH CHARGE PUMP ASSY CHASSIS COMP CLAMP	11 1	COLLAR/17X27X02 COLLAR/18X30X05 COLLAR/21X25X04 COLLAR/21X25X08	18 18	COVER/SPOOL COVER/SWITCH COVER/U	37 16
	13 10		58 6		37 17
	24 1		54 68		58 2
	24 1-A		28 15		56 6
	40 18		29 14		35 7
CLAMP, HARNESS CLAMP, MAIN HARNESS	1 5	COLLAR/25X35X02	12 2	CUSHION, PEDAL/RUBBER CYLINDER ASSY CYLINDERBLOCK ASSY DIODE/3. 0A	1 9
	26 9	COLLAR/26X32X41	23 4		14 21
	27 18	COLLAR/26X32X53	31 6		15 21
	36 36	COLLAR/26X35X03	18 13		13 2
	37 36		18 17		44 5
CLAMP/WIRE/09-11 CLAMP/WIRE/10-12	5 17	COLLAR/31X38X06	25 21	DRIVESCREW DRUM, BRAKE DUST/SEAL ELEMENT	13 41
	5 20	COLLAR/31X41X03	18 12		19 4
	5 12		18 16		14 25
	5 16	COLUMN, STEERING ASSY	26 13		15 25
	5 19		27 8		3 7
CLAMP/WIRE/10-15 CLAMP/WIRE/11-13	5 23	CONNECTOR	2 16	ELEMENT, PAPER FAN (HST) FENDER COMP FILTER, FUEL	4 3
	5 28		30 10		9 15
	2 20	COUPLING	9 1		38 1
	5 13	COVER	13 38		39 1
	5 24		35 2		5 1
CLAMP/WIRE/32-40 CLAMP/WIRE/36-44 CLAMP/WIRE/38-46 CLAMP/WIRE/47-55	2 12	COVER (BELT) COVER (BRAKE) COVER, F/PTO COMP	35 6	FILTER, SUCTION (HST) FILTER/SUCTION/HST FLANGE/CONTROL COMP FLANGEYOKE ASSY	14 6
	2 13-A		42 5		15 6
	2 13		54 21		28 16
	3 14		19 1		29 15
	4 12		23 16		9 7-A

Alphabetical Index

1631-097-100-10

Description	Fig. Key	Description	Fig. Key	Description	Fig. Key
FLANGEYOKE ASSY	9 7-B	HARNES/M/AIN ASSY	43 1-A	HST ASSY	13 1
FUSE/32V03A	43 2	HARNES/M/AIN/S ASSY	44 1	HUB, PTO FRONT	24 13
	44 2		44 1-A	HUB, SEAL/INPUT	12 4
FUSE/32V10A	43 3	HITCH/REAR SET	55 1	HUB, STEERING COLUMN	26 15
	44 3	HOLDER (FUEL FILTER)	5 4		27 10
GASKET	13 62	HOLDER, BATTERY	6 4	INSULATOR	1 6
	41 8		7 3	INSULATOR/10X30X03	41 2
GASKET, MUFFLER	3 2	HOLDER/JE/9-9	2 9	INSULATOR/22	4 9
GAUGE, FUEL	41 9		3 4		24 2
GEAR (HELICAL/T72)	28 11		30 31		26 12
GEAR (T16)	29 10	HOLDER/SWITCH	40 2	INSULATOR/HOOD	36 13
	54 65		40 2-A		37 13
GEAR, BEVEL/12	18 6	HOOD/A COMP	36 1	JOINT UNIVERSAL ASSY	9 6
GEAR, BEVEL/T12-45SET	12 1		37 1	JOINT, BALL	25 27
GEAR/SPUR/12-37	12 11	HOOD/B	36 37	JOINT, BALL/LH	25 10
GEAR/SPUR/18	12 8		37 37	JOINT, BALL/RH	25 11
GEAR/T40	18 2	HOOK, RADIATOR PANEL	2 23	JOINT, CAP LING	9 17
GREASENIPPLE	9 10	HOSE ASSY	14 17	JOINT/HST/F COMP	9 7
GRIP, B	34 13		15 17	JOINT/HST/R COMP	9 8
GRIP, BRAKE	20 24	HOSE, RADIATOR/LW	2 11	JOINT/UNIVERSAL ASSY	9 6-A
GRIP/04X12X50	20 24-A	HOSE, RADIATOR/UP	2 10	JOINTT-TYPE	5 27
GRIP/PTO	22 13-A	HOSE, VINYL	2 5	JOURNAL KIT	9 9
GRIP/THROTTLE	8 5-A	HOSE/07X13X120	5 26	JOURNALCROSSE ASSY	9 9-A
	8 5-B	HOSE/1220	5 8	KEY ASSY	42 8
GROMMET	6 16	HOSE/14X22X150	30 23	KNOB	8 5
	7 17	HOSE/14X22X460	30 25		22 13
	26 7	HOSE/1800	5 9		54 34
	27 7	HOSE/210	2 15	KNOB, SET/12	24 4
	38 2	HOSE/270	2 14	KNOK	30 6
	39 2	HOSE/270 ASSY	5 15	LABEL (LIFT)	45 7
	42 12		5 18		46 7
	43 7	HOSE/320	10 30	LABEL (FUSE/D)	47 4
	44 13		11 31	LABEL (FUSE/E)	49 4
GROMMET/10X18X50	23 13	HOSE/350	5 21		50 8
GROMMET/10X30X5	38 3	HOSE/360	10 27	LABEL (FUSE/F)	48 4
	39 3		11 28	LABEL, CAUTION/D	47 1
	41 11	HOSE/70	30 23-A	LABEL, CAUTION/E	49 1
GROMMET/150	43 6	HOSE/700	30 29	LABEL, CAUTION/F	48 1
	44 12	HOSE/HYDRAULIC/350	14 33	LABEL, FUEL/D	47 5
GUIDE/LH ENGINE	1 12		15 33	LABEL/BATTERY	50 10
GUIDE/RH ENGINE	1 13	HOSE/HYDRO/610 ASSY	14 17-A		50 10-A
HANGER, SUPPORT	36 8		15 17-A	LABEL/CAUTION	50 11
	37 8	HOSE/INLET	3 12	LABEL/CAUTION/BATTER	45 12
HARNES/GENERATOR	44 7		4 10	LABEL/CAUTION/I	51 2
HARNES/M/AIN ASSY	43 1	HOSE/RETURN	30 32	LABEL/CE	45 5

Alphabetical Index

Description	Fig. Key	Description	Fig. Key	Description	Fig. Key
LABEL/CE	46 5	LABEL/WARNING/BELT	50 1	MUFFLER	3 1
LABEL/D/BATTERY	47 7		50 1-A	NEEDLE (GAGE)	54 67
	48 7		50 5	NEEDLEBEARING	13 28
	49 7	LABEL/WARNING/HOT	45 11	NET, LOWER COVER/LH	36 28
LABEL/D/BATTERY/F	48 7-A		50 3		37 28
LABEL/D/BATTERY/T	51 7	LABEL/WARNING/SLOPE	45 9	NET, LOWER COVER/RH	36 29
LABEL/D/STARTER	47 9	LAMP, HEAD ASSY	56 2		37 29
	48 9	LAMP, MONITOR	42 2	NET/100X388	36 10
	49 9	LAMP/HEAD SET	56 1		37 10
LABEL/D/STARTER/F	48 9-A	LEAD	56 3	NIPPLE, GREASE	20 2
	48 9-B	LENS	42 13		24 11
LABEL/D/STARTER/T	51 9	LEVER (PTO)	54 24		54 4
LABEL/FUEL	50 9	LEVER (HST LIFT)	34 11	NIPPLE, GREASE/B-M6F	16 25
LABEL/FUEL/I	51 4	LEVER, AXLE	8 2		16 33
LABEL/FUSE/I	51 6	LEVER, PTO	22 12		24 12
LABEL/MAINTENANCE	45 8	LEVER/UNLOAD COMP	17 1	NUT	1 7
LABEL/NOISE/LPA/90	45 6	LIFT/270 COMP	32 1		2 25
LABEL/NOISE/LWA/105	45 6-A		32 6		7 15
	46 6	LINING/13X50X3	8 9		8 7
	50 2	LINING/50	17 5		13 70
LABEL/OPERATION/D	47 2		30 27		16 5
LABEL/OPERATION/E	49 2		30 30		16 11
LABEL/OPERATION/F	48 2		30 34		16 31
LABEL/OPERATION/I	51 1		36 6		16 41
LABEL/PARKING	46 8		37 6		16 52
LABEL/PARKING/D	47 3	LINK COMP	33 1		16 55
LABEL/PARKING/E	49 3		33 1-A		20 13
LABEL/PARKING/F	48 3	LINK, FUSIBLE	6 13		25 12
LABEL/PARKING/I	51 3		7 12		25 22
LABEL/PTO	54 75		44 8		25 26
LABEL/SW/HEAD LAMP	56 11	LINK/A	33 6		26 19
LABEL/W/FAN	47 8	LOCK (NEUTRAL)	16 12		27 14
	48 8	MARK, FUEL	49 5		36 35
	49 8	MARK, FUEL/FR	48 5		37 35
	50 4	MAT (LH)	41 15		40 5
LABEL/W/FAN/F	48 8-A	MAT/RH	41 16		43 14
LABEL/W/FAN/T	51 8	METAL, BRAKE	10 13		44 20
LABEL/W/RADIATOR	47 6		11 14		54 44
	48 6	METAL, LIFTARM	32 2		54 46
	49 6		32 7	NUT, RING/M28X1.0	42 7
	50 7	METAL, LIFTARM/R COMP	32 4	NUT, SPEED/P4	36 30
LABEL/W/RADIATOR/F	48 6-A		32 10		37 30
LABEL/W/RADIATOR/T	51 5	METAL/PTO	54 5	NUT, SPEED/P6	36 15
LABEL/W/STARTER	50 6	METER, HOUR ASSY	56 14		37 15
LABEL/WARNING/BELT	45 10	METER/HOUR SET	56 13	NUT/A/M12	56 7

Alphabetical Index

1631-097-100-10

Description	Fig. Key	Description	Fig. Key	Description	Fig. Key
NUT/B/M12	56 10	NUT/WASHER	38 7	ORNAMENT/RH	46 2
NUT/M 6	1 10		39 7	PACKING	2 18
	6 6		54 35		3 9
	7 5	OIL/FILTER ASSY	14 34		4 2
	40 6		15 34		4 4
NUT/M06	44 9	OILSEAL	13 59		4 5
	6 10		13 60	PAD	20 6
	6 15	ORIFICE	13 46	PAD (HST)	16 44
	7 9	ORIFICEBOLT/2.2	14 19	PAD, STEERING WHEEL	26 18
	7 14		15 19		27 13
NUT/M10	2 24	O-RING	13 13	PAD/50	30 28-A
	21 5		13 63	PAD/BRAKE	20 6-A
	25 16		13 64	PANEL/INSTRUMEN SET	42 1
	25 17		30 5	PANEL/INSTRUMENT	42 9
	33 3		30 11	PANEL/RADIATOR	2 21
NUT/M10 7T P=1.25	40 14	O-RING/G30	12 5	PEDAL (HST)	16 42
	54 12	O-RING/G45	10 15	PIN	13 5
	54 19		11 16		13 11
NUT/M12	57 3		12 6		13 29
NUT/M12X1.25	25 8	O-RING/G55	58 11		13 42
	25 28	O-RING/P 6	58 9	PIN (10X18)	18 3
	28 19	O-RING/P14	14 32	PIN (10X70)	16 60
	29 18		15 32	PIN (14X54)	14 26
NUT/M16	23 10	O-RING/P15	54 3		15 26
NUT/M20	33 8	O-RING/P16	30 13	PIN (18X52)	54 66
NUT/M5	33 8-A	O-RING/P18	14 2	PIN (NEUTRAL)	16 6
	38 10		14 11	PIN, DIFF PINION	18 8
	38 10-A		15 2	PIN, KNOCK	10 6
	39 10		15 11		11 6
NUT/M6	5 7	O-RING/P22	14 3	PIN, PTO	54 74
NUT/M8	56 17		15 3	PIN, RELEASE ROD	28 30
	9 14	O-RING/P24	14 7		28 34
	20 14	O-RING/P26	14 8	PIN, SNAP/8	38 6
	40 17	O-RING/P28	15 7		39 6
NUT/WASHER	6 22	O-RING/P30	15 8	PIN, SPLIT/2.5X15	8 11
	14 16	O-RING/P8	13 65		41 5
	15 16	ORNAMENT/173	45 3		54 38
	19 8	ORNAMENT/173/NEO	46 3	PIN, SPLIT/2.5X20	25 13
	26 11	ORNAMENT/F	45 4		25 24
	26 24	ORNAMENT/ISEKI/NEO	46 4		26 21
	26 27	ORNAMENT/LH	45 1		27 16
	27 20		46 1	PIN, SPLIT/3 X15	16 23
	34 12	ORNAMENT/POWER STEER	45 13		16 30
	36 41		46 9		16 40
	37 41	ORNAMENT/RH	45 2		16 57

Alphabetical Index

1631-097-100-10

Description	Fig. Key	Description	Fig. Key	Description	Fig. Key	
PIN, SPLIT/3 X15	20 10	PIPE/SUCTION	14 1	PLATE/L/15X55	56 15	
	22 11		15 1	PLSTE (I/22X134) COMP	16 21	
	34 16	PIPE/SUCTION COMP	30 21	PLUG	2 17	
	PIN, SPLIT/3 X20	16 9	PISTON	14 22		13 31
		16 14		15 22		13 40
	16 19	PLATE	13 51		13 43	
	16 59		58 13		13 45	
	17 3	PLATE (BRAKE LOCK)	20 17		13 49	
	20 22	PLATE (HOOK) COMP	16 16	PLUG, DRAIN (1/4)	10 24	
	20 26	PLATE (I/20X122)	16 61		11 25	
PIN, SPLIT/3 X25	34 6	PLATE (L/16X101)	54 6	PLUG, OIL	10 32	
	40 11	PLATE (L/22X100)	16 28		11 33	
	14 28		16 38	PLUG/SCREW	54 60	
	15 28	PLATE (L/32X178)	16 54	PLUG/SCREW/SEAL	30 17	
	16 47	PLATE (PARKING) COMP	20 23	PORTBLOCK	13 16	
	22 15	PLATE (RETURN)	54 48	POST/STEERING ASSY	26 1	
	25 9	PLATE (UX27X71)	19 2		26 1-A	
	25 30	PLATE, AXLE	8 3		27 1	
	28 22	PLATE, BATTERY	6 3	PROTECTOR	5 10	
	29 21		7 2		30 28	
PIN, SPLIT/3X30	33 5	PLATE, FILLER COMP	10 25	PROTECTOR, FRONT	2 4	
	33 10		11 26	PROTECTOR/250	5 11	
	34 10	PLATE, I/22X240	35 3		5 22	
	54 26		35 8	PTO/REAR SET	54 1	
	16 36	PLATE, I/22X475	35 1	PULLEY (VC135)	54 18	
PIN, SPLIT/4 X30	34 3		35 5	PULLEY, TENSION	54 16	
	14 29	PLATE, I/25X486	34 4	PULLEY, V/2B105	23 20	
	15 29	PLATE, LOCK	20 19	PULLEY/FT80X47	22 5	
	PIN, SPRING/5 X25 W	54 69	PLATE, POST/LH	26 22	PULLEY/VC100	54 11
PIN, SPRING/5 X32 W		25 6	PLATE, POST/RH	26 25	PULLY/V2B173	23 1
	PIN, SPRING/6 X25 W	16 2	PLATE, STEERING	28 3	PUMP, FUEL	5 5
PIN/08X26		34 14		PUMP/BEAR SET	30 2	
PIN/10X382		40 10	PLATE, STOPPER	9 5	PUMP/GEAR ASSY	30 1
PIN/15X108		33 2	PLATE, SWITCH	43 20-A	RADIATOR ASSY	2 1
PIN/15X32		33 7		44 26-A	REFLECTOR ASSY	38 9-A
PIN/15X47		19 6		54 30-A		39 9
	PIN/8X36	38 5	PLATE, TRANON	16 1	REFLECTOR ASSY	38 9
		39 5	PLATE/170X215	54 51	RELAY/4P	43 11
		41 14		55 2		44 17
	PIN/SNAP	41 13	PLATE/CASE	10 36	RETAINERHOLDER	13 4
PIN/SPRING	13 55		11 37	RETAINERPLATE	13 3	
	PINION, BEVEL/11	18 7	PLATE/I/19X85 COMP	5 2	RIM, WHEEL	21 1
	PIPE/BOOST	14 10	PLATE/IRX13X35	43 20	RIM, WHEEL FRONT	31 2
		15 10		44 26	RIM/WHEEL COMP	31 2-A
PIPE/RETURN	30 19		54 30	RING, CIRCLIP	54 10	

Alphabetical Index

1631-097-100-10

Description	Fig. Key	Description	Fig. Key	Description	Fig. Key
RING, PTO	54 73	SCREW	43 12	SEAL/15X20X170	37 31
RING, SNAP	58 3		44 18	SEAL/20X15X530	26 4
RING, SNAP/12 C	54 15	SCREW M3X20	43 17		27 4
RING, SNAP/15 C	22 3		44 23	SEAL/20X20X720	36 2
	22 6		54 31		37 2
	54 17	SCREW SEMS M6X12	58 14	SEAL/30X30X50	26 5
	54 40	SCREW, SEMS	58 8		27 5
RING, SNAP/16 C	18 9	SCREW/M6X25	36 32	SEALKIT	13 57
RING, SNAP/17 C	19 5	SCREW/M8X11	36 40	SEAT ASSY	40 1
RING, SNAP/20 C	9 12		37 40	SEATSWITCH ASSY	40 3
RING, SNAP/20C	13 54	SCREW/SP	36 34	SHAFT COMP	54 39
RING, SNAP/25 C	12 3		37 19	SHAFT (HOOK)	16 45
	23 6		37 24	SHAFT (PTO) COMP	54 70
RING, SNAP/30 C	13 14		37 32	SHAFT, JOINT/PTO	54 2
	13 56		37 34	SHAFT/M	13 21
RING, SNAP/40 C	13 53	SCREW/SP/M06X20	37 34-A	SHAFT/P	13 20
	25 20	SEAL (10X05X130)	2 22	SHAFT/PTO/INPUT	54 62
RING, SNAP/42 C	10 3	SEAL (10X05X27)	2 7	SHAFT/PTO/MID	23 3
	10 10	SEAL (10X10X340)	2 6	SHAFT/STEERING COMP	28 29
	11 3	SEAL (20X10X130)	36 4		29 5
	11 11		37 4	SHAFT/WHEEL/LH COMP	18 11
	28 9	SEAL, CLEANER	3 13		18 11-A
	29 8		4 11	SHAFT/WHEEL/RH COMP	18 15
	29 13	SEAL, OIL	10 5		18 15-A
RING, SNAP/47 C	23 7		10 12	SHAFTYOKE ASSY	9 8-A
RING, SNAP/52 C	28 14		11 5	SHIM (BRAKE METAL)	10 17
	13 52		11 13		10 17-A
RING/O	13 67		13 12		11 18
RING/SNAP	28 31		13 58		11 18-A
RING/SPRING	28 33		13 61	SHOE/BRAKE/NON ASBES	19 9
ROD PACKING	14 24	SEAL, OIL/TC15257	30 4	SHORT COUPLER/REAR/P	43 5
	15 24	SEAL, OIL/TC20357	10 14		44 6
ROD (HST/F) COMP	16 27		11 15	SHRUOD, FAN	2 3
ROD (HST/REVERSE)	16 37		54 55	SLANTBOARD/P	13 17
ROD (M10X85)	16 53	SEAL, OIL/TC30428	10 4	SNAPRING	13 9
ROD (NEUTRAL)	16 7		10 11	SOCKET-HEADBOLT	13 39
ROD (REAR PTO)	54 36		11 4	SPANNER/L-TYPE	52 1
ROD/D=8.90-8.94	25 14		11 12	SPRING	13 6
ROD/DRAG	25 25	SEAL, OIL/TC35558	54 59		13 35
ROD/M08X140	20 8	SEAL, OIL/TC4, 14247	58 7		13 36
ROD/M08X250	20 11	SEAL, OIL/VC20426	28 10		13 47
ROD/TIE/M10X193	25 15		29 9		13 50
RUBBER, CUSHION (A)	40 9	SEAL/15X20X120	26 3		20 15
SCREW	36 19		27 3		54 47
	36 24	SEAL/15X20X170	36 31	SPRING (HC135)	10 28

Alphabetical Index

1631-097-100-10

Description	Fig. Key	Description	Fig. Key	Description	Fig. Key
SPRING (HC135)	11 29	TIRE, TURF/23-12	21 2	WASHER, PL/M 8	16 51
SPRING (HE085)	16 15	TIRE/23-12	53 1		16 56
SPRING (HT035)	20 4	TORQUEGENERATOR ASSY	28 26		20 9
SPRING, BRAKE SHOE	19 10	TRIGGER, TENSION	54 45		22 10
SPRING, DISK	8 6	TRIM/1X06X570	36 3		34 15
SPRING, ROD COVER	16 20		37 3		36 21
SPRING, TENSION/46	54 49	TRIM/1X6X360	36 5		36 26
SPRING, TENSION/86	17 4		36 11		37 21
	20 16		37 5		37 26
SPRING/D=6	40 15		37 11		38 4
SPRING/HCO42	58 5	TRUNNIONPIN	13 23		39 4
SPRING/HE014	22 7		13 24		41 3
SPRING/HE083	22 8	TUBE/23-12	53 2		41 12
SPRING/HT013	20 18	TURNBUCKLE/M8	20 12		54 37
	20 27	UNLOADINGVALVE	13 33		54 43
SPRINGHOLDER	13 7	VALVE	3 10	WASHER, PL/M14	14 27
	13 48		4 6		15 27
SPRINGPIN	13 37		13 44		16 46
STAY, FENDER/LH	24 5	VALVE SET	58 1		33 4
STAY, FENDER/RH	24 7	VALVE RELIEF	13 34		33 9
STAY/LEVER ASSY	54 27	VALVE, COUNTRLO	14 14		34 9
STAY/LEVER COMP	54 28		15 14	WASHER, PL/M18	25 5
STAY/SEAT COMP	40 8	VALVE/RELIEF ASSY	30 16	WASHER, SP/M 3	43 18
	40 8	VALVE/RIM	21 4		44 24
STEELBALL	13 32		31 4		54 32
STEP COMP	41 10		53 4	WASHER, SP/M 5	38 11
	41 10	VALVEPLATE	13 18	WASHER, SP/M 6	1 11
STOPPER	1 14		13 19		16 26
	16 49	WASHER	13 8		16 34
STOPPER, PISTON	14 23		23 8		20 3
	15 23		54 25		40 7
STOPPER/SPRING	58 4		56 9		44 11
SUCTION/OUT COMP	30 12	WASHER / M6	8 10	WASHER, SP/M 8	1 8
SURCLIP/HOLE	9 11		44 10		7 16
SWITCH (STARTER) ASSY	42 4	WASHER /M12	16 10		9 4
SWITCH, HEAD LAMP	56 5		16 13		9 19
SWITCH, MERIT	43 16		16 18		10 21
	44 22		28 20		11 23
	54 29		29 19		30 8
SWITCH/PUSH SET	43 13		34 5	WASHER, SP/M10	1 4
	44 19	WASHER (13X34X05)	25 7		6 20
TANK/FUEL	41 1	WASHER, BINDING SHAFT	41 4		7 21
THRUST	25 4	WASHER, PL/M 8	16 22		10 35
THRUST PLATE	13 22		16 29		11 36
TIRE, TURF/16-8	31 1		16 39		13 69

Alphabetical Index

1631-097-100-10

Description	Fig. Key	Description	Fig. Key	Description	Fig. Key
WASHER, SP/M10	18 5 21 6 23 22 54 13 54 20				
WASHER, SP/M12	25 29 28 21 29 20				
WASHER, SP/M16	23 9				
WASHER/06X16X01	36 33				
	37 33 37 33-A				
WASHER/11X22X3	25 23				
WASHER/11X35X02	40 13				
WASHER/13X18X01	56 8				
WASHER/15X24X2	22 4				
WASHER/31X42X1	28 8				
WASHER/6X14X3	42 15				
WASHER/9X32X2	40 16				
WASHER/M10	2 26				
	6 21 7 22 8 8 16 8 16 58				
	17 2 20 21 20 25 22 14 26 20				
WASHER/M20	27 15 16 35 34 2				
WASHER/M3	43 19 44 25				
	54 33				
WEIGHT/15 SET	57 1				
WHEEL, STEERING ASSY	26 17 27 12				
WORM/24	28 5				
WRENCH/BOX/10X12	52 2				