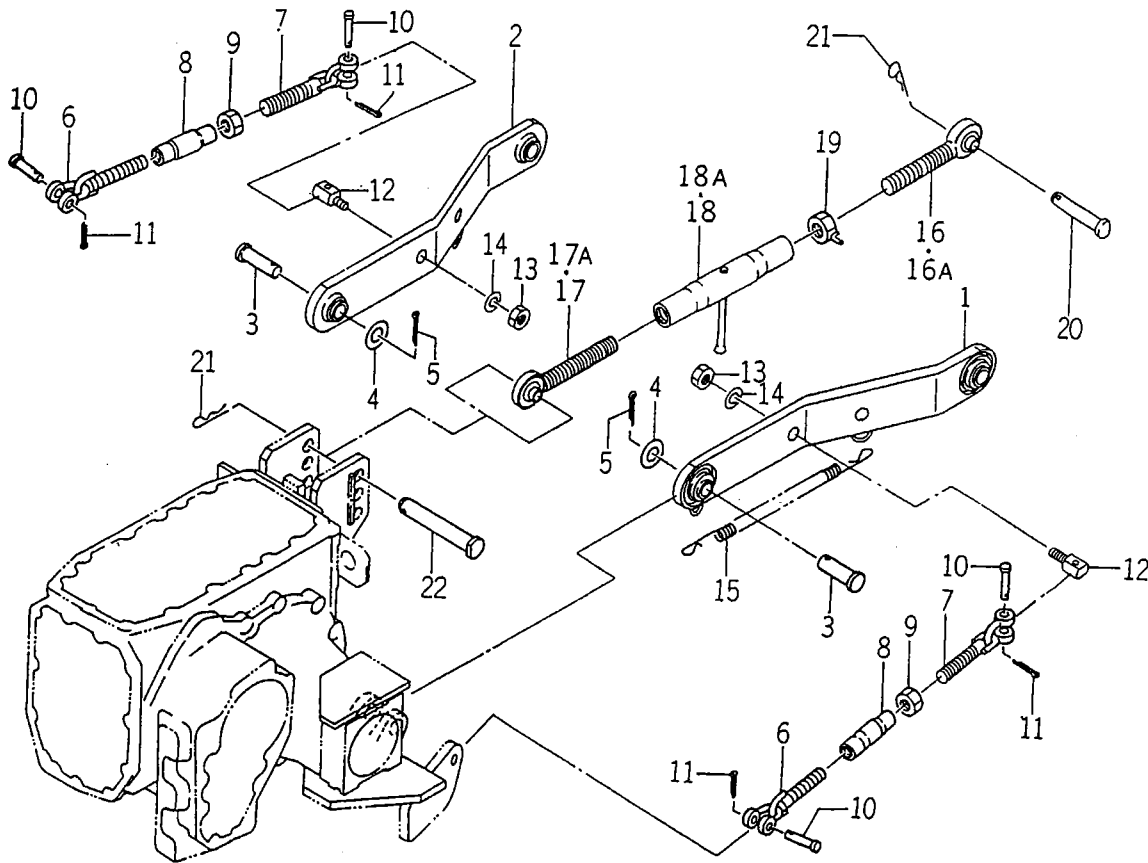


FIG. 71 LOWER LINK SYSTEM



1603-514

KEY	PART CODE	DESCRIPTION	QTY	TYPE OF MODEL		I T C	C O L	G R P	REMARKS
				TU320	TU320F				
1	1603 - 514 - 200 - 00	LINK,LOWER/LH COMP	1	*	*				
2	1603 - 514 - 210 - 00	LINK,LOWER/RH COMP	1	*	*				
3	1444 - 514 - 002 - 00	PIN,LOWER LINK	2	*	*				
4	V411 - 260 - 022 - 00	WASHER,PL/M22	2	*	*				
5	V500 - 164 - 003 - 50	PIN,SPLIT/4X35	2	*	*				
6	7963 - 611 - 230 - 00	CHAIN,CHECK/A COMP	2	*	*				
7	1603 - 514 - 220 - 00	CHAIN,CHECK COMP	2	*	*				
8	7963 - 611 - 002 - 00	BUCKLE,TURN	2	*	*				
9	V304 - 260 - 016 - 00	NUT/M16	2	*	*				
10	7963 - 611 - 003 - 00	PIN/12X48	4	*	*				
11	V500 - 163 - 002 - 50	PIN,SPLIT/3 X25	4	*	*				
12	7963 - 611 - 001 - 00	PIN,CHAIN	2	*	*				
13	V304 - 260 - 016 - 00	NUT/M16	2	*	*				
14	V401 - 160 - 016 - 00	WASHER,SP/M16	2	*	*				
15	1560 - 525 - 001 - 40	SPRING	1	*	*				
16	1600 - 514 - 220 - 00	LINK,RH COMP	1	*	1- -116				
16A	1444 - 514 - 300 - 00	LINK,TOP (R) COMP	1	*	117-				
17	1600 - 514 - 230 - 00	LINK,LH COMP	1	*	1- -116				
17A	1421 - 511 - 300 - 10	LINK,TOP LH COMP	1	*	117-				
18	1600 - 514 - 240 - 00	BUCKLE,TURN/M24 COMP	1	*	1- -116				
18A	1550 - 514 - 290 - 00	TURN - BUCKLE COMP	1	*	117-				
19	1402 - 511 - 600 - 00	NUT,TOP LINK LOCK	1	*	*				
20	1564 - 522 - 001 - 10	PIN/19X86	1	*	*				
21	1444 - 514 - 005 - 10	PIN,HAIR/19	2	*	*				
22	1564 - 525 - 001 - 00	PIN/19X122	1	*	*				