

PARTS CATALOGUE
ISEKI TRACTOR

TU 318F
ISEKI
TOKYO, JAPAN



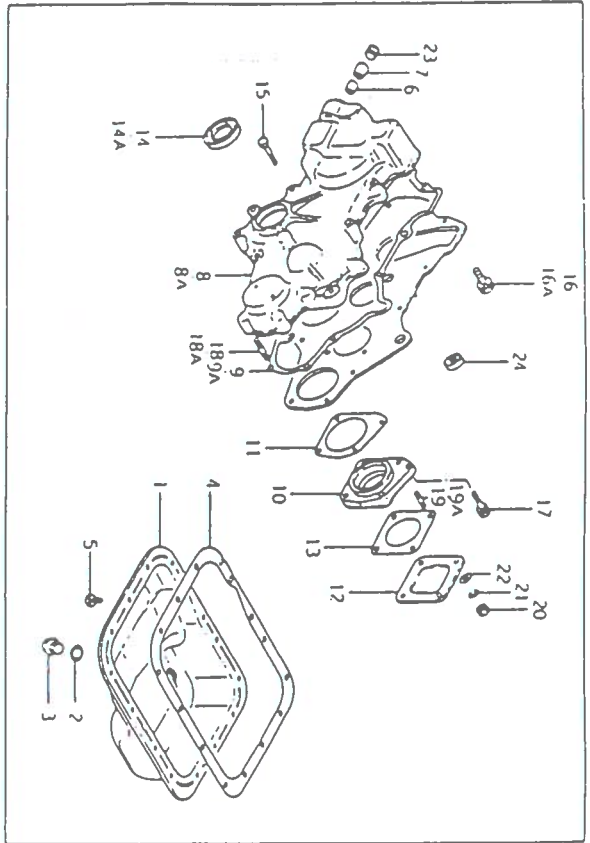
Applicable Model

Model	Destination
E 20	GERMAN
E 40	EUROPE
E 50	FRANCE
E 60	OCEANIA

FIG # 2

OLE PAN AND GEAR CASE GROUP

P 3



ITEM #	QTY	DESCRIPTION	UNIT	REMARKS
1	1	COVER	COVER	
2	1	SCREW	SCREW	
3	1	SCREW	SCREW	
4	1	GASKET	GASKET	
5	1	GASKET	GASKET	
6	1	SCREW	SCREW	
7	1	SCREW	SCREW	
8	1	SCREW	SCREW	
9	1	SCREW	SCREW	
10	1	SCREW	SCREW	
11	1	BEARING	BEARING	
12	1	BEARING	BEARING	
13	1	BEARING	BEARING	
14	1	GEAR	GEAR	
14A	1	GEAR	GEAR	
15	1	GEAR	GEAR	
16	1	HOUSING	HOUSING	
17	1	SHAFT	SHAFT	
18	1	BEARING	BEARING	
18A	1	BEARING	BEARING	
19	1	SHAFT	SHAFT	
19A	1	SHAFT	SHAFT	
20	1	SHAFT	SHAFT	
21	1	SCREW	SCREW	
22	1	SCREW	SCREW	
23	1	SCREW	SCREW	
24	1	SCREW	SCREW	

E. DESCRIPTION

Is the literal meaning of part number itself.

F. QTY (Quantity)

This is the actual number of piece, set and assembly of part required per unit of product of machine.
 "AR" is the abbreviation of "AS REQUIRED"
 "CC" shows that part required during replacement services is more than 100 pieces per unit.

G. ITC (Interchangeability)

0 : Old and new parts are interchangeable.
 1 : New part can be used in place of the old part but old part can not be used to replace the new part.(see illustration below)
 2 : Old part can be used in place of the new part but new part can not be used to replace the old part.(see illustration below)
 3 : Not interchangeable.(see illustration below)
 8 : Abolished
 9 : Newly added.(overlooked during publication or with some unforeseen reasons)

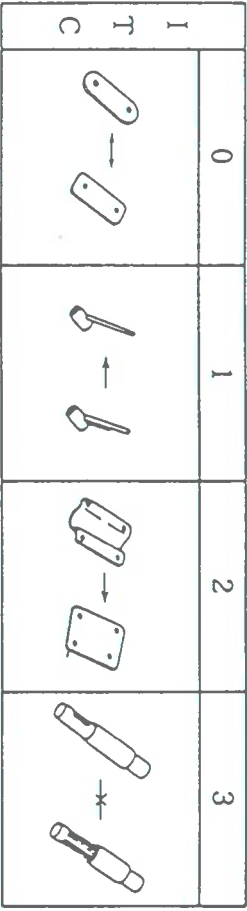


FIG # 2 OIL PAN AND GEAR CASE GROUP P 1

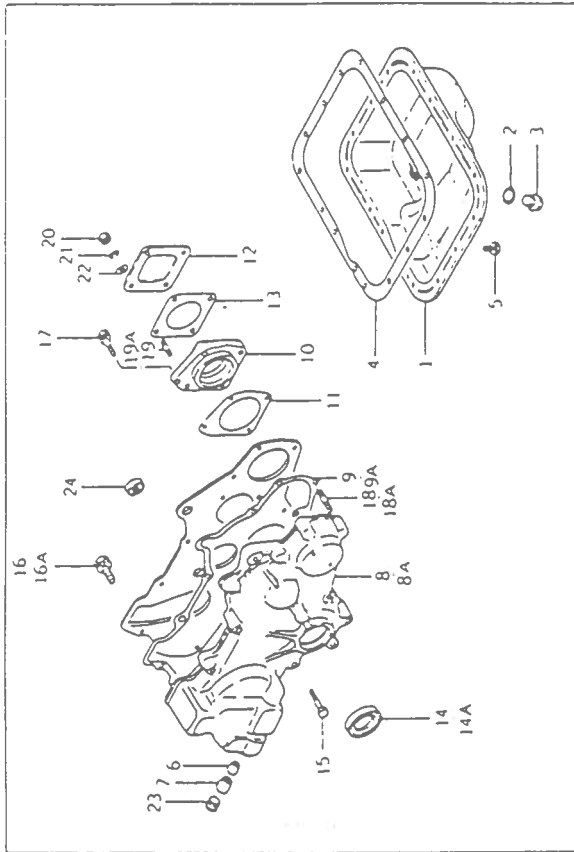


FIG #	1	2	3	4	5	6	7	8	9	10	11	12	13	14	15	16	17	18	19	20	21	22	23	24
DESCRIPTION	COVER GEAR CASE	COVER GEAR CASE	COVER GEAR CASE	COVER GEAR CASE	COVER GEAR CASE	COVER GEAR CASE	COVER GEAR CASE	COVER GEAR CASE	COVER GEAR CASE	COVER GEAR CASE	COVER GEAR CASE	COVER GEAR CASE	COVER GEAR CASE	COVER GEAR CASE	COVER GEAR CASE	COVER GEAR CASE	COVER GEAR CASE	COVER GEAR CASE	COVER GEAR CASE	COVER GEAR CASE	COVER GEAR CASE	COVER GEAR CASE	COVER GEAR CASE	COVER GEAR CASE
PART CODE	3530 010 011 20	3530 010 011 20	3530 010 011 20	3530 010 011 20	3530 010 011 20	3530 010 011 20	3530 010 011 20	3530 010 011 20	3530 010 011 20	3530 010 011 20	3530 010 011 20	3530 010 011 20	3530 010 011 20	3530 010 011 20	3530 010 011 20	3530 010 011 20	3530 010 011 20	3530 010 011 20	3530 010 011 20	3530 010 011 20	3530 010 011 20	3530 010 011 20	3530 010 011 20	3530 010 011 20
QTY	1	1	1	1	1	1	1	1	1	1	1	1	1	1	1	1	1	1	1	1	1	1	1	1
REMARKS																								
FROM																								
UP TO																								
REMARKS																								

H. S.C. (Serviceable parts)

Blank space : Parts can be supplied as it is shown in the list.

1 : Parts can be supplied as assembly, including sub group 2 to 9.

2-9 : Can be supplied as single or as breakdown parts.

A : Not serviceable separately. Strictly as set or assembly only.

B : Mode to order parts.

J. MATRIX OF MODELS

Models are shown at the upper column with under each models with marked "0" which indicates where the part/parts are being used.

Asterisk (*) shows that this part/parts can be installed as optional parts. While with "R" shows that this part is made to replace originally equipped part as replacement parts.

K. T.F.

T : 2WD tractor and others (see column L&M)

F : 4WD tractor only (see column L&M)

L. FROM

This shows serial numbers where the part/parts being changed from original with modified or with other reasons. While, if the column is blank this shows that the part/parts is/are original from the start of production.

M. UP TO

This shows serial number where the part/parts were ceased to use and being replaced with modified or other part/parts. If the column is blank, part/parts are still in use or as original.

N. REMARKS

For additional informations, if any.

CONTENTS

CONTENTS

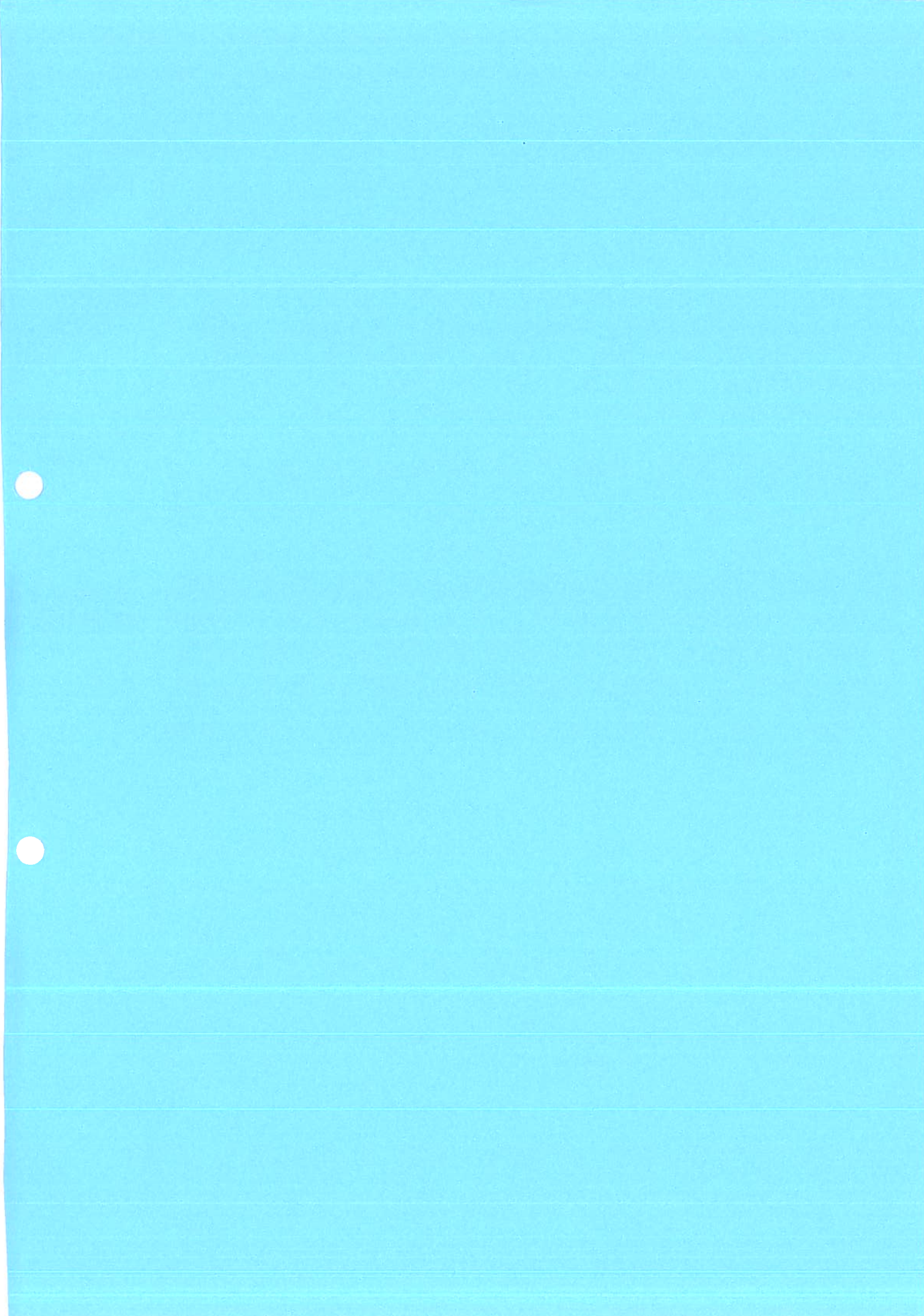
ENGINE(E3100-8)		CHASSIS	
	PAGE		PAGE
Fig. 1	CYLINDER HEAD.....	Fig. 20	RADIATOR SYSTEM.....
	1		39
Fig. 2	CYLINDER BLOCK.....	Fig. 21	RADIATOR SYSTEM (HST).....
	3		41
Fig. 3	TIMING GEAR CASE (1).....	Fig. 22	MUFFLER SYSTEM.....
	5		43
Fig. 4	TIMING GEAR CASE (2).....	Fig. 23	MUFFLER SYSTEM (LENGTH TYPE).....
	7		45
Fig. 5	OIL PAN.....	Fig. 24	AIR CLEANER SYSTEM.....
	9		47
Fig. 6	OIL PUMP.....	Fig. 25	AIR CLEANER SYSTEM (60).....
	11		49
Fig. 7	PISTON.....	Fig. 26	FILTER SYSTEM.....
	13		51
Fig. 8	VALVE MECHANISM.....	Fig. 27	BATTERY SYSTEM.....
	15		53
Fig. 9	OIL FILTER.....	Fig. 28	BATTERY SYSTEM (60).....
	17		55
Fig. 10	OIL PIPE.....	Fig. 29	ACCELE PEDAL AND ENGINE STOP SYSTEM.....
	19		57
Fig. 11	WATER PUMP AND FAN.....	Fig. 30	ACCELE LEVER SYSTEM.....
	21		59
Fig. 12	INLET AND EXHAUST SYSTEM.....	Fig. 31	CLUTCH HOUSING SYSTEM.....
	23		61
Fig. 13	FUEL SYSTEM.....	Fig. 32	CLUTCH HOUSING SYSTEM (HST).....
	25		63
Fig. 14	HANGER.....	Fig. 33	CLUTCH GEAR AND DRIVE GEAR SYSTEM.....
	27		65
Fig. 15	INJECTION PUMP.....	Fig. 34	CLUTCH PEDAL SYSTEM.....
	29		67
Fig. 16	ELECTRICAL PARTS.....	Fig. 35	FRONT P. T. O. (A20) SYSTEM (OPTION).....
	31		69
Fig. 17	INJECTION PUMP AND OTHER PARTS.....	Fig. 36	FRONT P. T. O. (B)SYSTEM(OPTION).....
	33		75
Fig. 18	STARTER(6581-100-205-00).....	Fig. 37	FRONT P. T. O. (C)SYSTEM(OPTION).....
	35		79
Fig. 19	GENERATOR.....	Fig. 38	FRONT 3P SYSTEM (1) (OPTION).....
	37		83
		Fig. 39	FRONT 3P SYSTEM (2) (OPTION).....
			87
		Fig. 40	FONT TRANSMISSION CASE SYSTEM.....
			89
		Fig. 41	FRONT TRANSMISSION CASE SYSTEM (HST).....
			91
		Fig. 42	INPUT GEAR AND CHANGE GEAR SYSTEM.....
			93

	PAGE
Fig. 68	PARKING BRAKE SYSTEM.....147
Fig. 69	PARKING BRAKE SYSTEM (E20).....149
Fig. 70	REAR WHEEL SYSTEM.....151
Fig. 71	FRONT WHEEL SYSTEM.....153
Fig. 72	P. T. O. DRIVE SHAFT SYSTEM.....155
Fig. 73	P. T. O. CHANGE SHIFTER SYSTEM.....157
Fig. 74	FRAME SYSTEM (1).....161
Fig. 75	FRAME SYSTEM (2).....163
Fig. 76	STEERING WHEEL SYSTEM.....165
Fig. 77	STEERING CASE SYSTEM.....167
Fig. 78	STEERING CASE SYSTEM (U).....169
Fig. 79	POWER STEERING ASSY (U).....171
Fig. 80	DRIVE SHAT SYSTEM.....175
Fig. 81	BEVEL CASE SYSTEM.....177
Fig. 82	FRONT HOUSING SYSTEM.....179
Fig. 83	FRONT GEAR CASE SYSTEM (1).....181
Fig. 84	FRONT GEAR CASE SYSTEM (2).....183
Fig. 85	FRONT GEAR CASE SYSTEM (2) (U).....185
Fig. 86	FRONT GEAR CASE SYSTEM (2) (E20).....187
Fig. 87	FRONT GEAR CASE SYSTEM (2) (UE20).....189
Fig. 88	CYLINDER CASE SYSTEM.....191
Fig. 89	CYLINDER SYSTEM.....193
Fig. 90	LIFT ARM SYSTEM (1).....195
Fig. 91	LIFT ARM SYSTEM (2).....197
Fig. 92	VALVE COVER SYSTEM.....199

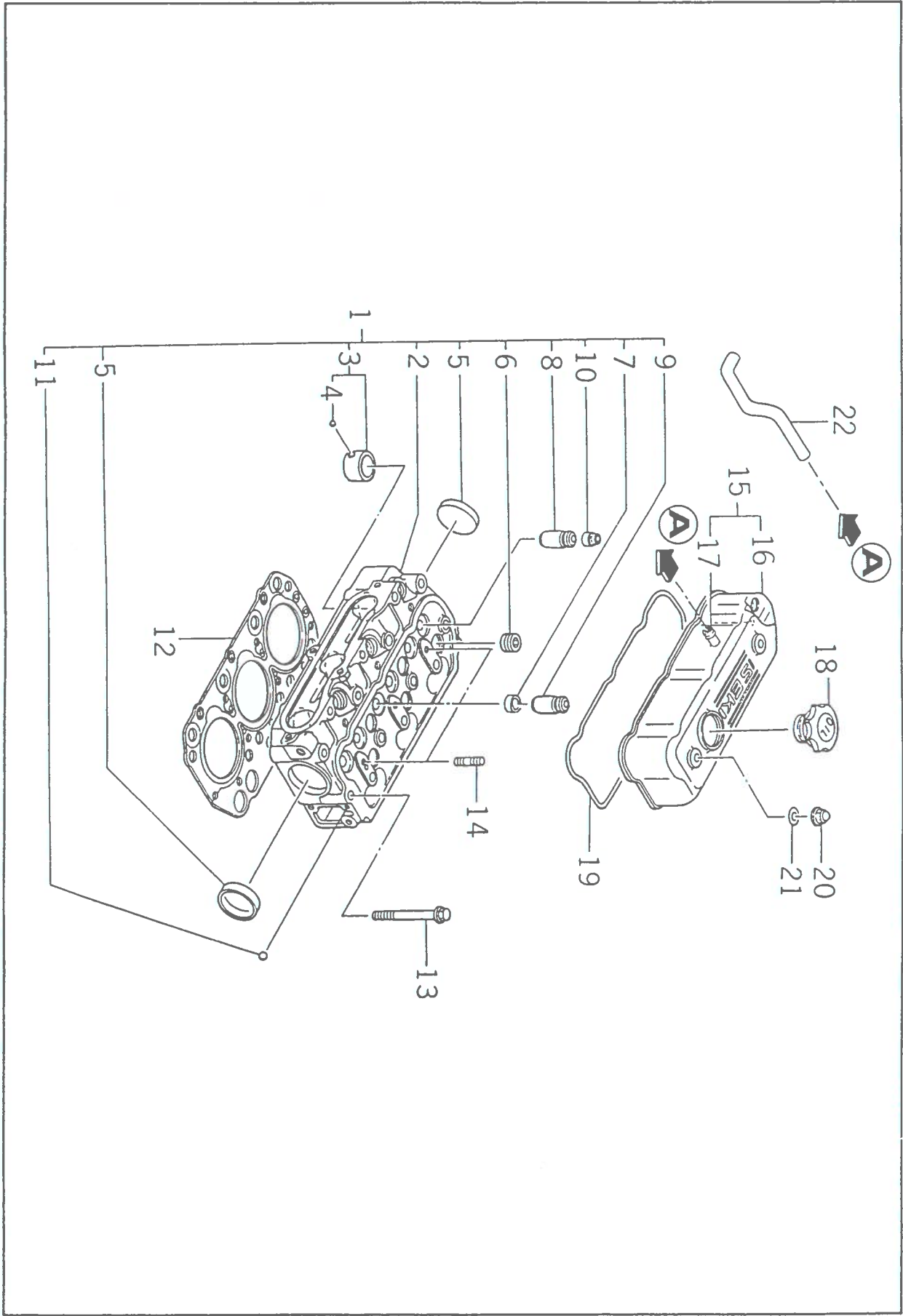
	PAGE
Fig. 43	INPUT GEAR AND CHANGE GEAR SYSTEM (GLAND)..... 95
Fig. 44	INPUT GEAR AND COUNTER GEAR SYSTEM (HST)..... 97
Fig. 45	DRIVE PINION SYSTEM..... 99
Fig. 46	FRONT DRIVE AND BACK GEAR SYSTEM.....101
Fig. 47	FRONT DRIVE (60. M).....103
Fig. 48	MAIN LEVER SYSTEM.....105
Fig. 49	COVER METAL SYSTEM (HST).....107
Fig. 50	MAIN CHANGE SHIFTER SYSTEM.....109
Fig. 51	SEALD COVER AND HITCH SYSTEM.....111
Fig. 52	SUB SHIFTER SYSTEM.....113
Fig. 53	SUB CHANGE SHIFTER SYSTEM (HST) (1).....115
Fig. 54	SUB CHANGE SHIFTER SYSTEM (HST) (2).....117
Fig. 55	FROT SHIFTER SYSTEM.....121
Fig. 56	FRONT CHANGE SHIFTER.....123
Fig. 57	MID-GEAR SYSTEM.....125
Fig. 58	UNIT SYSTEM (HST).....127
Fig. 59	58-A <i>P/28-124</i> LINK SYSTEM (HST).....129
Fig. 60	PEDAL SYSTEM (HST).....131
Fig. 61	PIPE SYSTEM (HST).....133
Fig. 62	REAR TRANSMISSION CASE SYSTEM.....135
Fig. 63	DIFF-CASE SYSTEM.....137
Fig. 64	REAR AXLE HOUSING SYSTEM.....139
Fig. 65	DIFF-LOCK SYSTEM.....141
Fig. 66	BRAKE SYSTEM.....143
Fig. 67	BRAKE PEDAL SYSTEM.....145

	PAGE		PAGE		
Fig. 93	POSITION LEVER SYSTEM.....	201	Fig. 118	HARNASS SYSTEM (1).....	253
Fig. 94	HYDRAULIC PIPING SYSTEM.....	203	Fig. 119	HARNASS SYSTEM (60).....	255
Fig. 95	HYDRAULIC PIPING SYSTEM (HST).....	205	Fig. 120	HARNASS SYSTEM (2).....	257
Fig. 96	LOWER LINK SYSTEM.....	207	Fig. 121	CREEP MISSION SYSTEM (OPTION).....	259
Fig. 97	LIFT ROD AND LINK BRACKET SYSTEM.....	209	Fig. 122	TRAILER HITCH SYSTEM (OPTION).....	261
Fig. 98	HOOD SYSTEM.....	211	Fig. 123	VALVE (SUB/1st) SET SYSTEM (OPTION).....	263
Fig. 99	GRILLE AND STEERING COVER SYSTEM.....	213	Fig. 124	CONTROL VALVE SYSTEM (OPTION).....	269
Fig. 100	SIDE COVER SYSTEM.....	215	Fig. 125	VALVE (SUB/1st) SET SYSTEM (OPTION).....	271
Fig. 101	SIDE COVER SYSTEM (MUFFLER, LENGTH TYPE).....	217	Fig. 126	TOOL.....	277
Fig. 102	FENDER SYSTEM.....	219	Fig. 127	MARKS.....	279
Fig. 103	FENDER SYSTEM (B).....	221		WIRING DIAGRAM.....	283
Fig. 104	FENDER SYSTEM (60).....	223			
Fig. 105	FRONT COVER SYSTEM (1).....	225			
Fig. 106	FRONT COVER SYSTEM (2).....	227			
Fig. 107	FRONT COVER SYSTEM (HST, HE20).....	229			
Fig. 108	FRONT COVER SYSTEM (HST, B).....	231			
Fig. 109	SEAT SYSTEM.....	233			
Fig. 110	FUEL TANK SYSTEM.....	235			
Fig. 111	STEP SYSTEM.....	237			
Fig. 112	DASH PANEL SYSTEM.....	239			
Fig. 113	DASH PANEL SYSTEM (B).....	241			
Fig. 114	METER SYSTEM.....	243			
Fig. 115	BALVE SYSTEM.....	245			
Fig. 116	BALVE SYSTEM (60).....	249			
Fig. 117	SWITCH SYSTEM.....	251			

ENGINE



TU318FE



TU318F

FIG #

1

P. 2

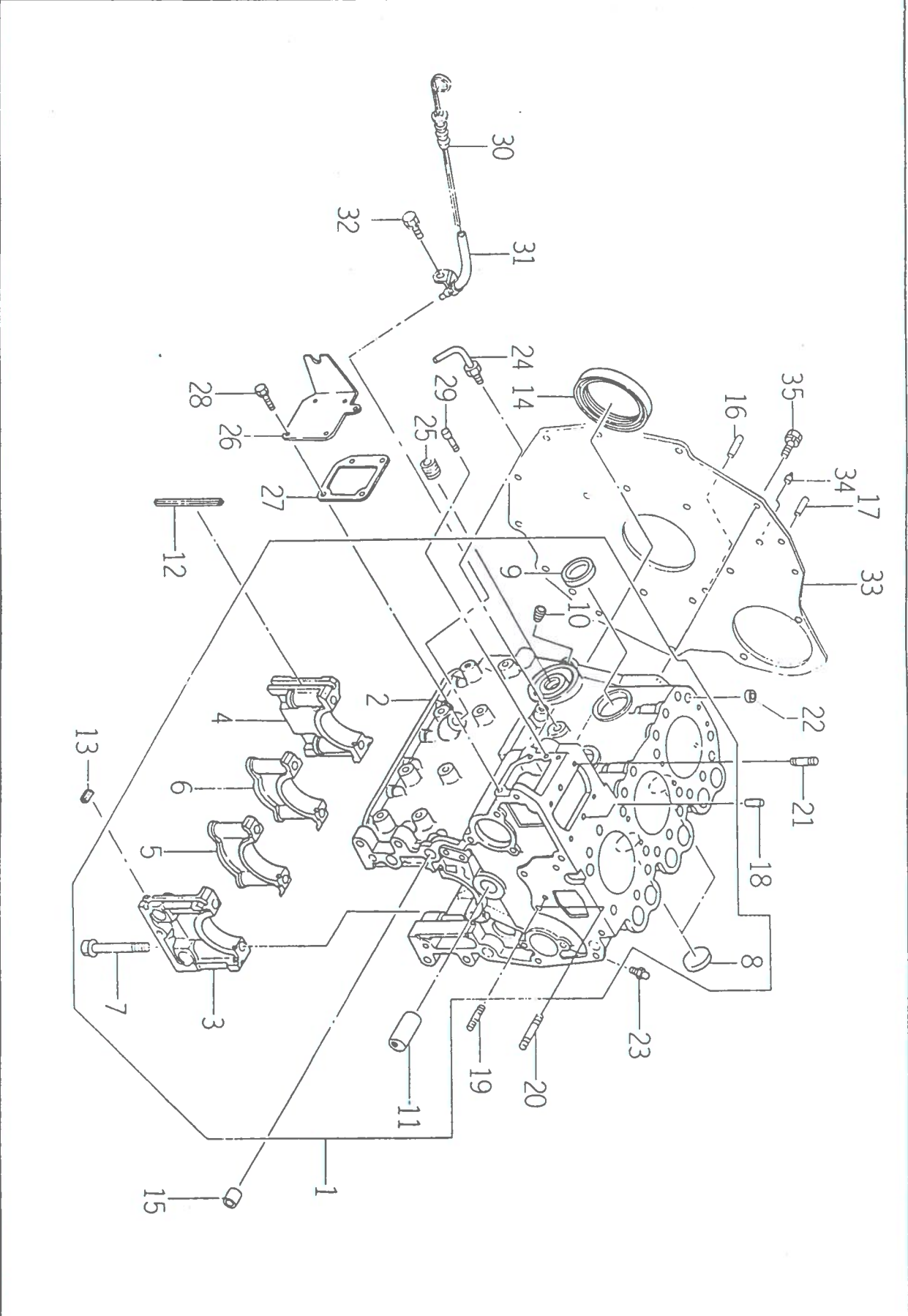
KEY#	S C P H C G	PART CODE	DESCRIPTION	Q T Y	I T E M C	T F	FROM	UPTO	REMARKS
1		6211-110-014-20	HEAD, CYLINDER ASSY	1	1				
2		6211-150-011-00	HEAD, CYLINDER ASSY	1	A				
3		6900-097-521-00	PLUG, HOT	3	2				
4		6911-129-006-00	BALL	3	2				
5		6209-605-002-10	CAP, SEALING	2	2				
6		6211-715-002-00	PLUG/1	5	2				
7		6211-721-001-00	VALVE SEAT, INLET	3	2				
8		6211-721-002-00	GUIDE, VALVE	3	2				
9		6211-721-002-00	GUIDE, VALVE	3	2				
10		6212-569-002-00	SEAL, OIL	6	2				
11		V681-200-000-60	BALL, STEEL	1	2				
12		6211-141-008-10	GASKET, CYLINDER HEAD	1					
13		6209-000-003-00	BOLT/M10X1.25X82	14					
14		6909-830-212-00	STUD, HEAD COVER	2					
15		6211-170-004-10	COVER, CYL. HEAD ASSY	1	1				
16		6211-171-004-20	COVER, CYLINDER HEAD	1	2				
17		6214-119-001-00	PIPE	1					
18		6211-751-001-10	CAP, OIL FILLER	1					
19		6211-173-003-00	SEAL, CYL. HEAD COVER	1					
20		6209-490-002-00	NUT, CAP	2					
21		6909-572-008-00	GASKET	2					
22		6209-360-027-10	HOSE, RUBBER	1					

FIG. # 2

CYLINDER BLOCK

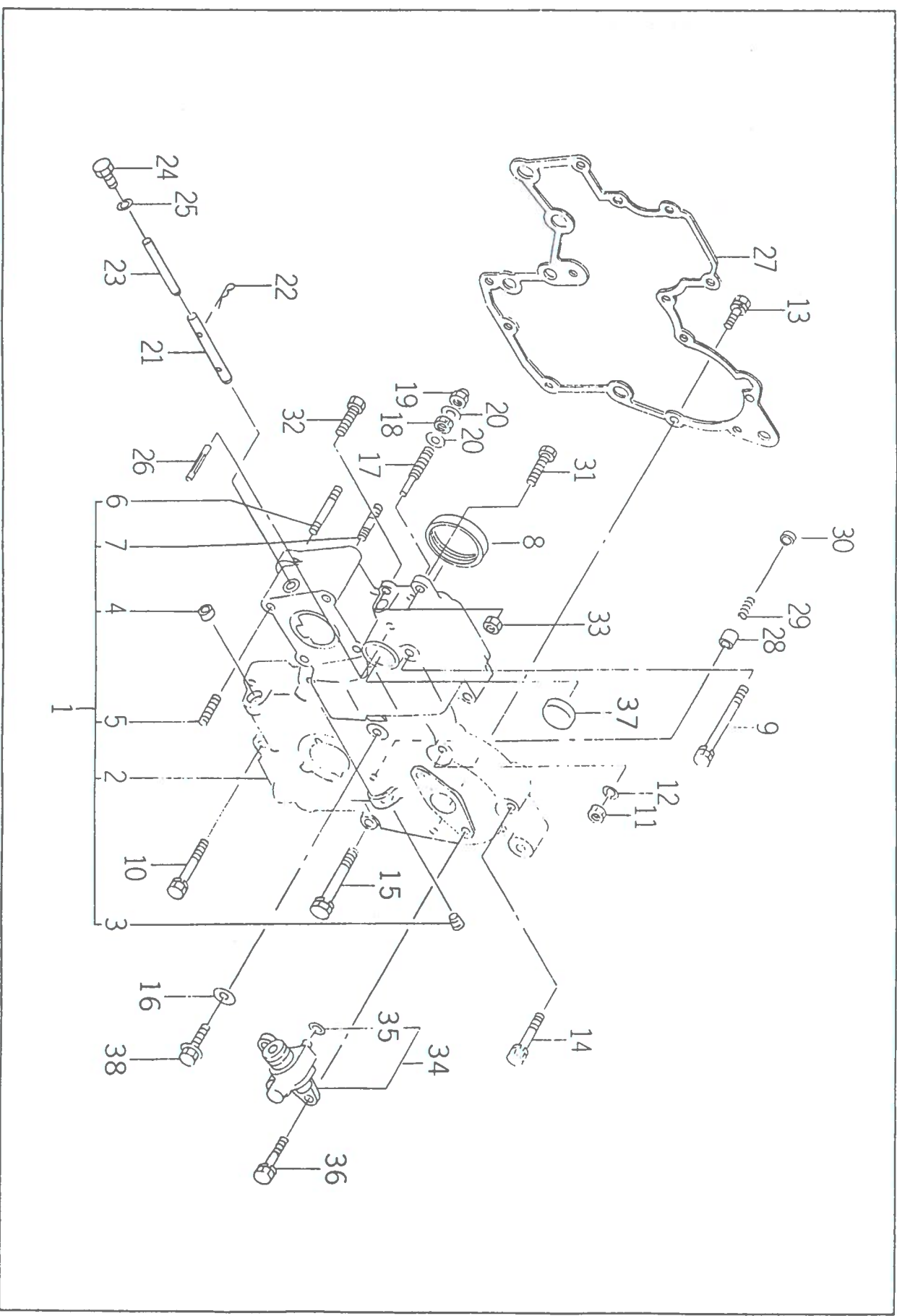
P. 3

TU318FE



KEY#	S P C	C H G	PART CODE	DESCRIPTION	Q T Y	I T C	S T C	T F	FROM	UPTO	REMARKS
1			6211-210-017-20	BLOCK, CYLINDER ASSY	1	A					
2				BLOCK, CYLINDER	1	A					
3				CAP, BEARING/F	1	A					
4				CAP, BEARING/R	1	A					
5				CAP, BEARING/I	1	A					
6				CAP, BEARING/T	1	A					
7			6209-000-004-00	BOLT	8	2					
8			6209-610-001-00	CAP, SEALING	2	2					
9			6911-219-195-00	CAP, SEALING	4	2					
10			6509-605-019-10	PLUG	5	2					
11			6212-531-005-00	PIN, IDLE GEAR	1	2					
12			6211-258-001-00	SEAL, BEARING CAP	4						
13			6211-258-002-00	SEAL, BEARING CAP/7	2						
14			6209-625-001-00	SEAL, OIL	1						
15			6209-749-001-10	PIN, TUBE	2						
16			6908-160-816-00	PIN	1						
17			V520-100-802-20	PIN, ST/8X22	1						
18			6908-160-612-00	PIN, STRAIGHT	2						
19			6904-110-840-00	STUD/M8X40	1						
20			6904-110-818-00	STUD	1						
21			6904-110-822-00	STUD	2						
22			6894-453-344-00	DOWEL	2						
23			6909-902-299-00	NIPPLE	1						
24			6213-721-001-00	PIPE, WATER DRAIN	1						
25			6213-319-001-00	CONNECTOR, OIL FILTER	1						
26			6211-291-007-20	COVER, INJECTION PUMP	1						
27			6211-292-001-20	GASKET, COVER	1						
28			6901-910-612-00	BOLT, SEMS/M6X12	4						
29			6215-549-013-00	PIN, STARTING SPRING	1						
30			6211-760-005-20	GAUGE, LEVEL	1						
31			6211-766-001-10	GUIDE, LEVEL GAUGE	1						
32			6209-030-081-00	BOLT/M10X1.25X18	1						
33			6211-341-007-10	PLATE, REAR	1						
34			6211-342-002-00	POINTER	1						
35			6901-911-020-00	BOLT, SEMS/M10X20	6						

TU318FE



TU318F

FIG # 3

P. 6

KEY#	S C P H C G	PART CODE	DESCRIPTION	Q I S T T C Y C	REVISIONS				FROM	UPTO	REMARKS
					D	C	G	T			
1		6211-310-005-10	CASE, GEAR ASSY	1							
2		6509-605-019-10	CASE, GEAR	1							
3		6209-610-002-00	PLUG	2							
4		6904-110-822-00	CAP, CYLINDER/14	1							
5		6904-110-855-00	STUD	4							
6		6904-110-850-00	STUD	2							
7		6209-625-002-00	SEAL, OIL	1							
8		6209-030-005-00	BOLT/M8X85	1							
9		6509-000-084-00	BOLT/L=55	2							
10											
11		6909-110-508-00	NUT/M8	1							
12		6909-150-508-00	WASHER	1							
13		6901-910-820-00	BOLT, SEMS/M8X20	3							
14		6901-910-845-00	BOLT, SEMS/M8X45	5							
15		6209-030-006-00	BOLT/M8X75	1							
16		6909-920-843-00	PACKING	1							
17		6215-546-001-00	STOPPER, FULL-LOAD	1							
18		6209-409-001-00	NUT/M8	1							
19		V341-120-008-00	NUT, CAP/M8	1							
20		6909-920-843-00	PACKING	2							
21		6215-542-004-10	PIN, ARM	1							
22		2130-601-018-00	PIN, SNAP/6	2							
23		6215-542-005-00	PIN	1							
24		6909-202-308-00	PLUG	1							
25		6909-920-843-00	PACKING	1							
26		6209-740-001-00	PIN, GROOVE	1							
27		6211-312-003-10	GASKET, GEAR CASE	1							
28		6213-161-001-00	PISTON, RELIEF VALVE	1							
29		6213-164-001-00	SPRING, RELIEF VALVE	1							
30		6213-163-002-00	CAP, RELIEF VALVE	1							
31		6209-050-001-00	BOLT/M6	1							
32		6209-050-002-00	BOLT/M6	1							
33		6909-110-406-00	NUT	2							
34		6219-310-003-00	DRIVE, TACHOMETER ASSY	1							
35		V723-102-002-40	O-RING	1							
36		6901-910-616-00	BOLT, SEMS/M6X16	2							
37		3625-540-004-00	CAP, BLANK/30	1							
38		6209-046-001-00	BOLT/M8X30	1							

TU318FE

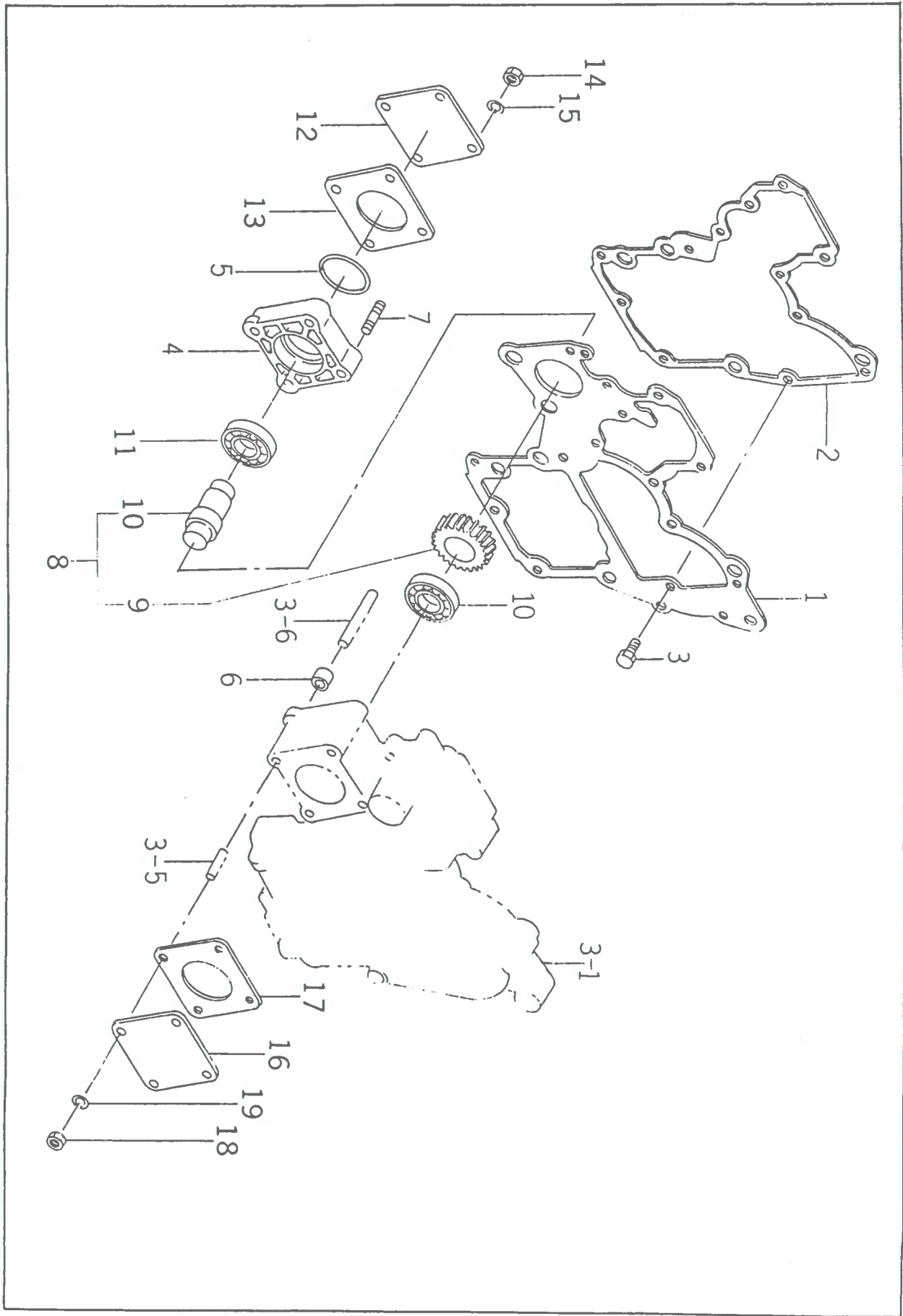
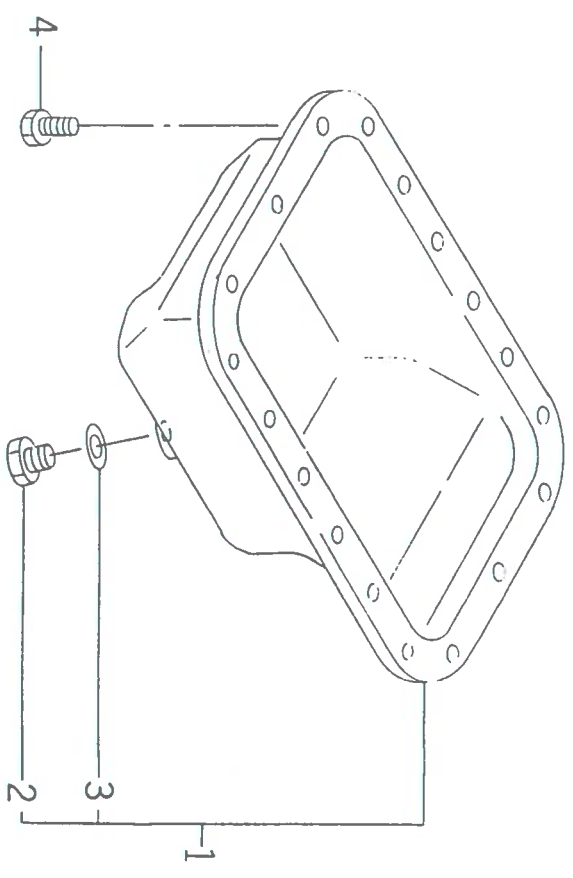


FIG. # 5

OIL PAN

TU318FE

P. 9



BBBBBBBB
 EE224455566
 22121211221
 12 TT 1212EE244566EE22412112211212
 2212212222445122
 22 GG 12 2122 S
 C GG

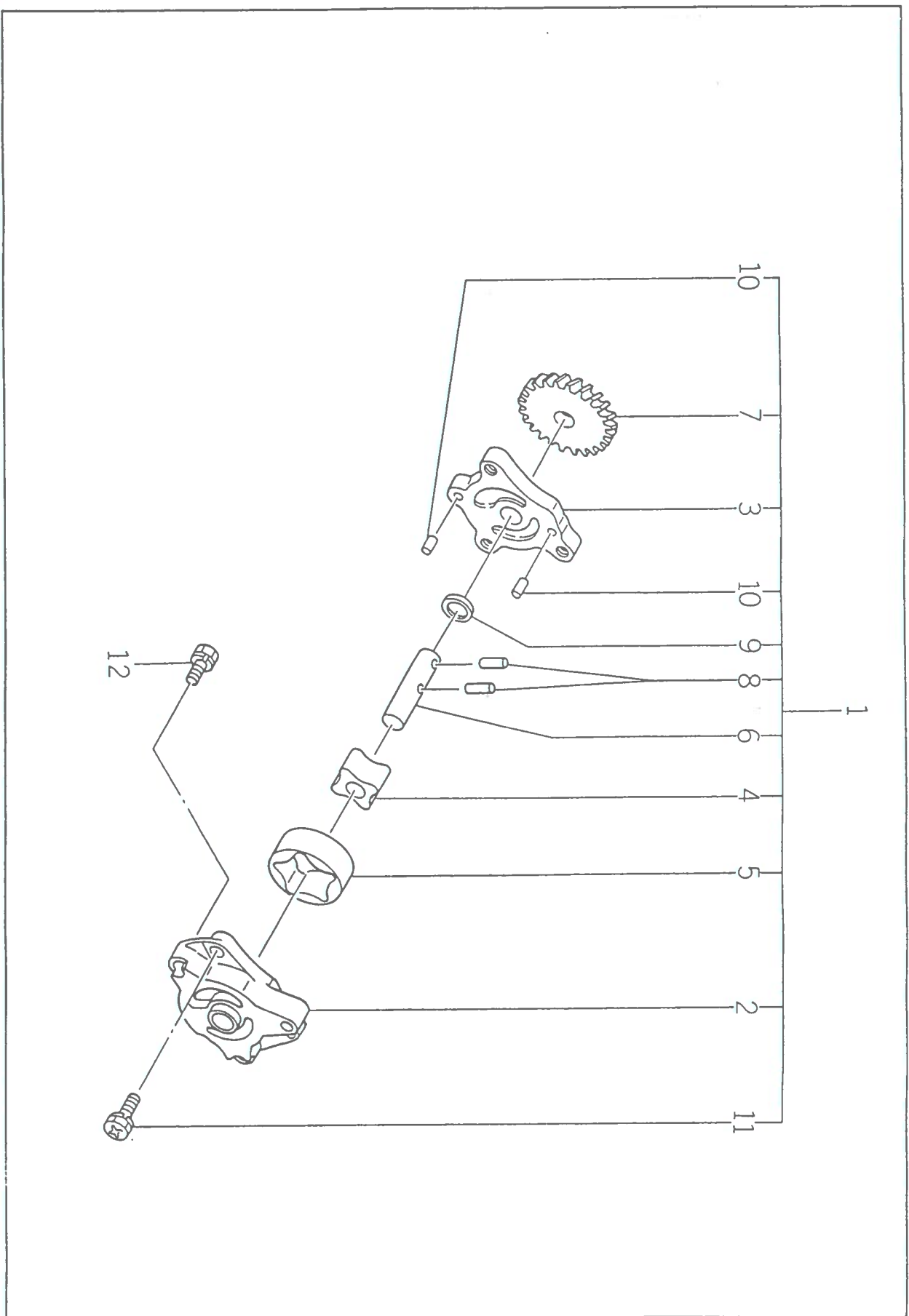
KEY#	S C P H C G	PART CODE	DESCRIPTION	Q I T Y	I T C	S C	T . F			REMARKS
							FROM	UPTO		
1		6211-360-002-10	PAN. OIL	1						
2		6999-202-314-00	PLUG	1						
3		6909-571-414-00	GASKET	1						
4		6901-910-612-00	BOLT, SEMS/M6X12	18						

FIG. # 6

OIL PUMP

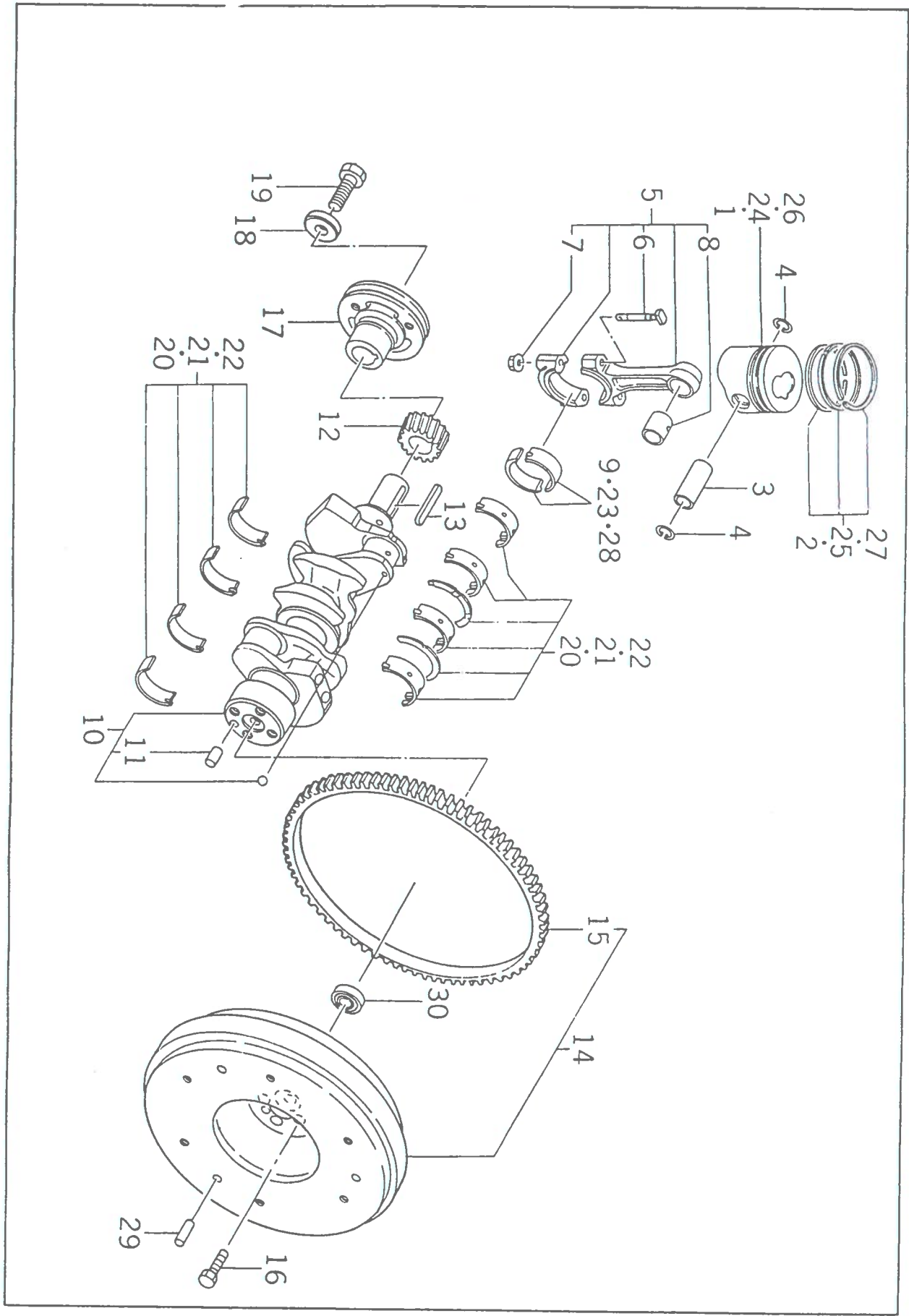
P. 11

TU318FE

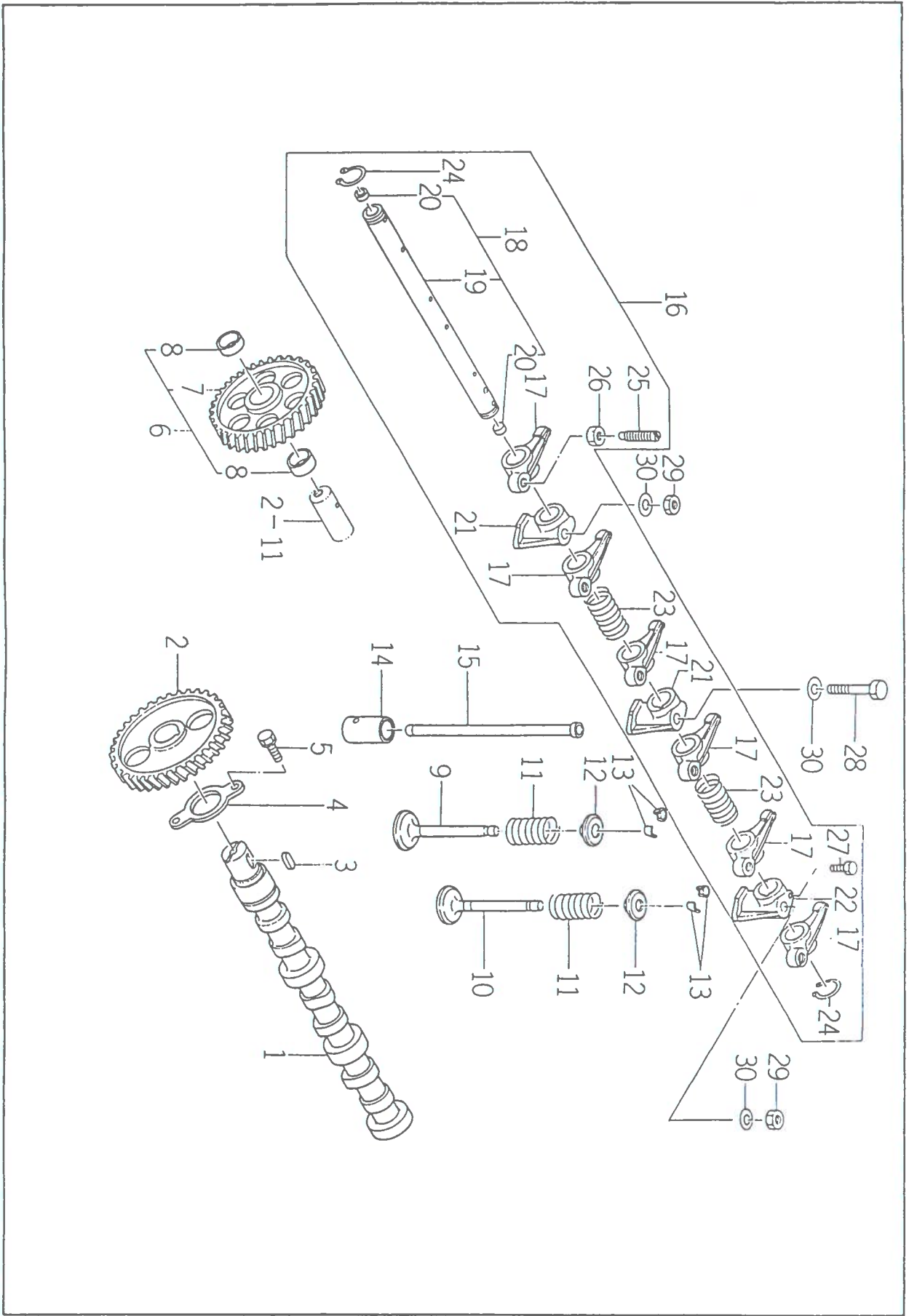


5)

6)



TU318FE



KEY#	S P C	C H G	PART CODE	DESCRIPTION	Q T Y	I T C	S T C	FROM	UPTO	REMARKS
1			6212-511-002-00	SHAFT, CAM	1					
2			6212-522-003-00	GEAR, CAMSHAFT	1					
3			6908-000-716-00	KEY	1					
4			6212-535-001-00	PLATE, THRUST	1					
5			6901-910-612-00	BOLT, SEMS/MGX12	2					
6			6212-523-003-00	GEAR, IDLE	1					
7				GEAR, IDLE	1	A				
8			6212-528-001-00	BUSH, IDLE GEAR	2					
9			6212-551-001-00	VALVE, INTAKE	3					
10			6212-552-001-00	VALVE, EXHAUST	3					
11			6212-561-001-00	SPRING, VALVE	6					
12			6212-563-001-00	SEAT, VALVE SPRING	6					
13			6212-565-001-00	CUTTER, VALVE	12					
14			6212-571-001-00	TAPPET	6					
15			6212-575-002-00	ROD, PUSH	6					
16			6212-600-002-00	SHAFT, ROCKER ASSY	1					
17			6212-611-003-10	ARM, ROCKER	6					
18			6212-620-001-10	SHAFT, ROCKER ARM	1	A				
19				SHAFT, ROCKER ARM	1	A				
20			6212-626-002-10	PLUG	2					
21			6212-628-004-00	BRACKET, ROCKER SHAFT	2					
22			6212-628-005-00	BRACKET, ROCKER SHAFT	1					
23			6209-940-002-00	SPRING	2					
24			V704-140-016-00	RING, SNAP/16 C	2					
25			6212-616-002-00	SCREW, ADJUST	6					
26			6209-409-003-00	NUT	6					
27			6209-000-002-00	BOLT	1					
28			6901-050-850-00	BOLT/M8X45	1					
29			6909-110-508-00	NUT/M8	2					
30			6909-164-508-00	WASHER, PL/M8	3					

```

BBBBBBBBBBBBBBBBBBBBBBBBBBBBBBBBBBBBBBBBBBBBBBBBBBBBBBBBBBBB
EE2244555566EEEEUUUUUUUUUUUUUUUUUUUUUUUUUUUUUUUUUUUUUUUUUUUU
2212121122125566BBEEEEUUUUUUUUUUUUUUUUUUUUUUUUUUUUUUUUUUUUUU
12TTT1212EE244566EE2EEEE224121122112211212GGTT
22212212222445122GGSS
22GG122122GG
C

```

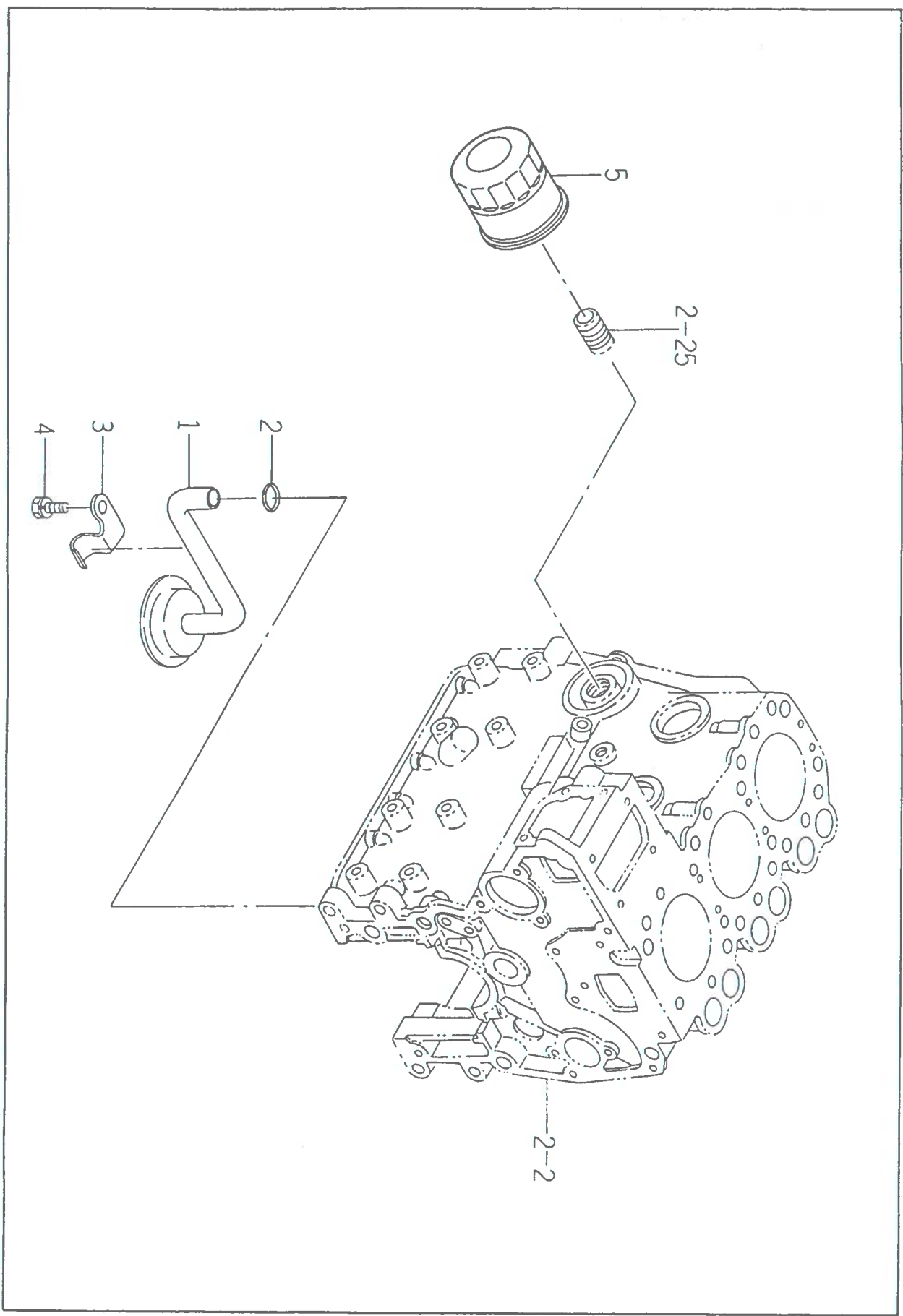
T F	FROM	UPTO	REMARKS

FIG. # 9

OIL FILTER

P. 17

TU318FE



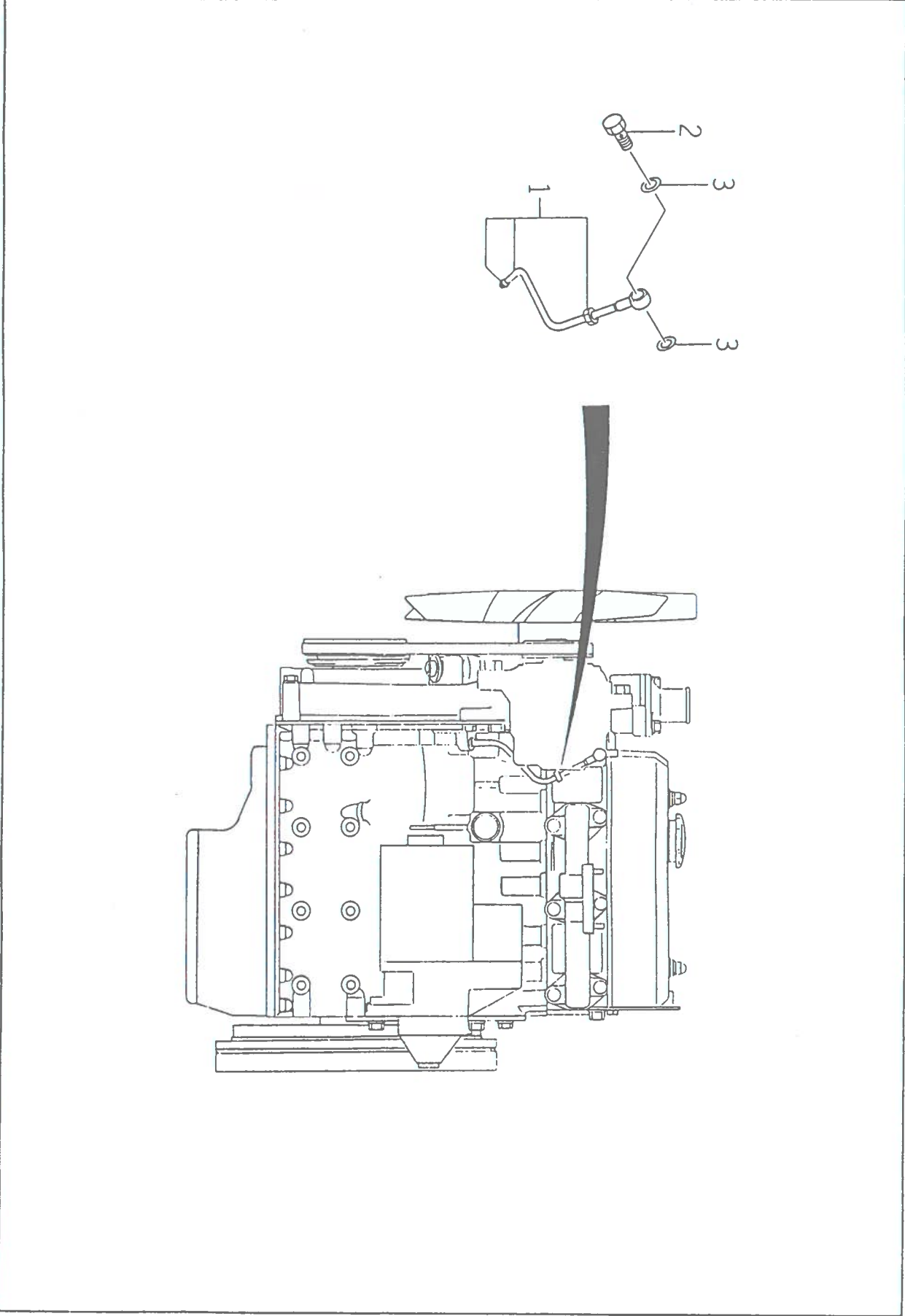
3/4

3/4

KEY#	S P C G	P H C	PART CODE	DESCRIPTION	Q T Y	I T C	S C C	FROM	UPTO	REMARKS
1			6213-140-003-00	STRAINER	1					
2			V720-102-401-50	O-RING/P15	1					
3			6213-149-002-00	CLAMP, STRAINER	1					
4			6901-910-816-00	BOLT, SEMS/M8X16	1					
5			6213-240-002-00	CARTRIDGE, OIL FILTER	1					

BBE224455556666EEEEHHHHHHHHHHHHMMMMMMUUUUUUUUUUUUUUUU
 EE224455556666EEEEHHHHHHHHHHHHHHHHHHBBEEEEEEEEEEEEEE
 221212112212556688EEEEEEEEBBUUUUUUUUUUUUUUUUUUUUUUUUUU
 12 T T 1212EE244566EE22412112211212 G G T T
 222122122222445122 G G T T
 22 GG 12 2122 S
 C GG

TU318FE



TU318F

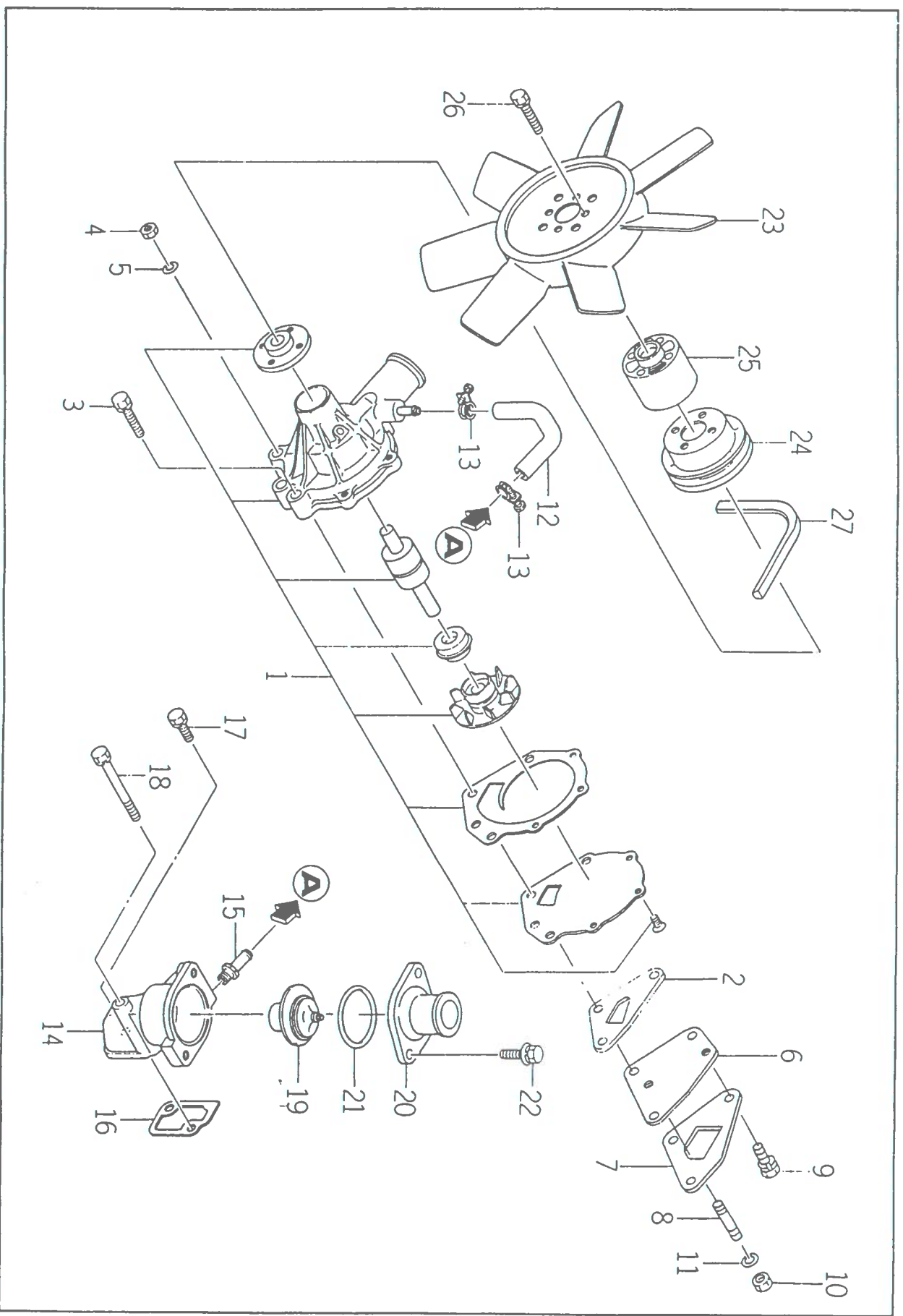
FIG # 10

P. 20

BBB
 EE224455556666EEEEUU
 2212121122125566BBBBEEEEEEEEUUUUUUUUUUUUUUUUUUUUUUUUUUUUUUUUUU
 12 TT 1212EE244566EE2EEEEE22412112211212 G G TT
 2212212222445122 S
 22 GG 12 2122 S
 C GG

KEY#	S P C	P C	PART CODE	DESCRIPTION	Q T Y	I T C	S T C	T Y C	T F	FROM	UPTO	REMARKS
1			6213-311-006-00	PIPE, OIL	1							
2			6909-906-105-10	BOLT, JOINT	1							
3			6909-920-843-00	PACKING	2							

TU318FE



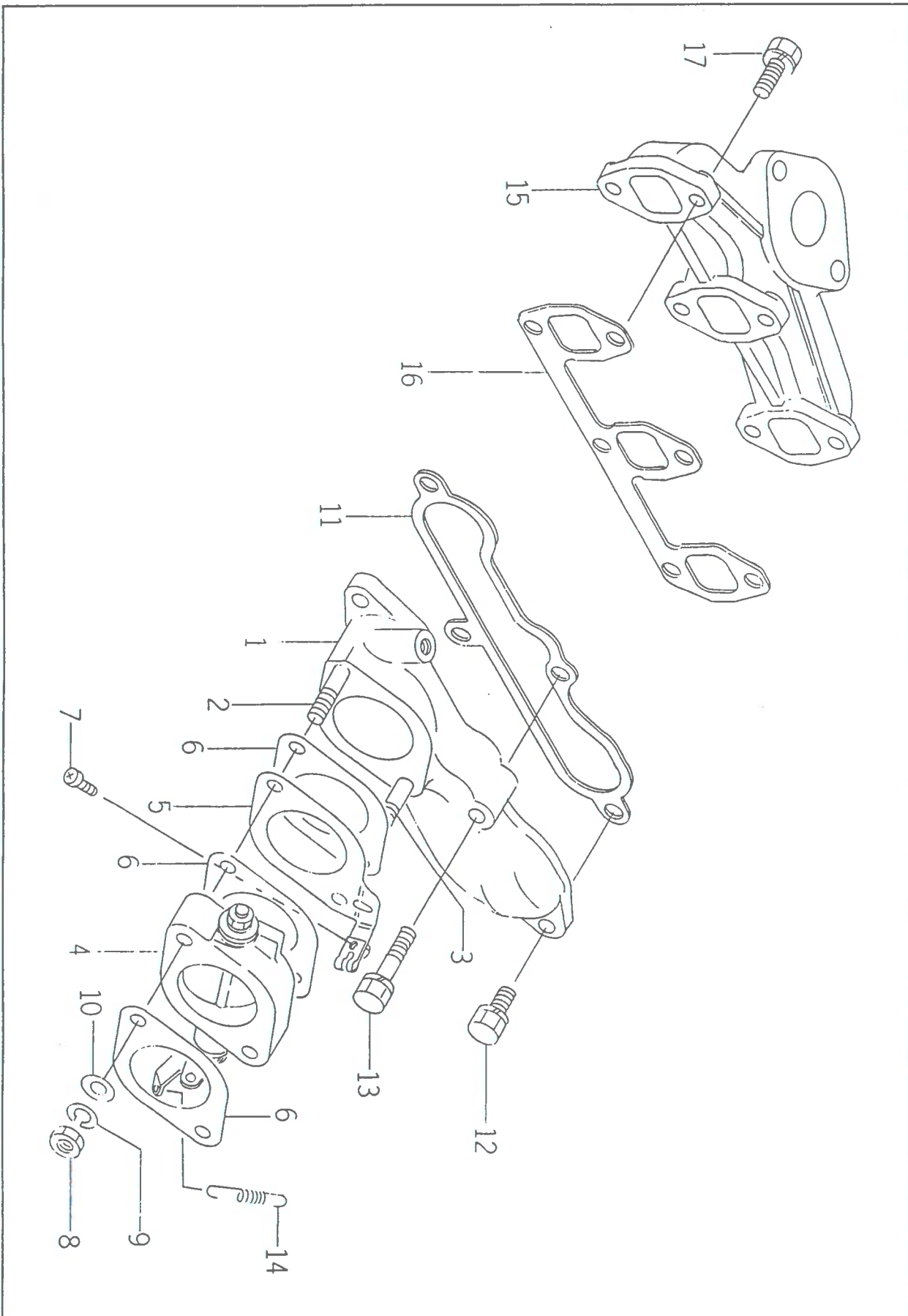
75

75

BBBBBBBBBBEEEEEEEEHHHHHHHHHHHHHHHHHHHHMMMMMMMMUUUUUUUUUUUUUUUUUUUU
 EE224455556666EEEEUUUUUUUUUUHHHHHHHHHHHHHHBBBEEEEEEEEEEEEEEEE
 221212122125566BBBEEEEEBBEEUU
 12 TT 1212EE2445666EE2EEEE22412122112211212 G G T T
 222122122222445122 G G T T
 22 GG 12 2122 S
 C GG

KEY#	S P C	C H G	PART CODE	DESCRIPTION	Q T Y	I T C	S C	FROM	UPTO	REMARKS
1			6213-610-005-10	PUMP, WATER ASSY	1					
2			6213-614-003-10	GASKET, WATER PUMP	1					
3			6901-910-845-00	BOLT, SEMS/M8X45	1					
4			6909-110-508-00	NUT/M8	2					
5			6909-150-508-00	WASHER	2					
6			6213-619-001-00	SPACER, WATER PUMP	1					
7			6213-614-004-10	GASKET, SPACER	1					
8			6904-110-840-00	STUD/M8X40	2					
9			6901-910-820-00	BOLT, SEMS/M8X20	1					
10			6909-110-508-00	NUT/M8	1					
11			6909-150-508-00	WASHER	1					
12			6213-729-001-00	HOSE, RUBBER	1					
13			1417-102-005-00	BAND, HOSE	2					
14			6213-716-001-20	HOUSING, THERMOSTAT	1					
15			6213-721-003-00	PIPE, PUMP HOUSING	1					
16			6213-743-002-10	GASKET, HOUSING	1					
17			6901-910-820-00	BOLT, SEMS/M8X20	1					
18			6209-030-006-00	BOLT/M8X75	1					
19			6513-770-022-10	THERMOSTAT	1					
20			6213-711-003-20	PIPE, WATER OUTLET	1					
21			V723-102-005-50	O-RING	1					
22			6901-910-830-00	BOLT	2					
23			6213-660-007-00	FAN, COOLING	1					
24			6213-641-002-00	PULLEY, WATER PUMP	1					
25			6213-669-002-00	SPACER, FAN/39	1					
26			6209-030-041-00	BOLT	4					
27			6213-671-003-00	VELT, V HM/34/FAN	1					

TU318FE



TU318F

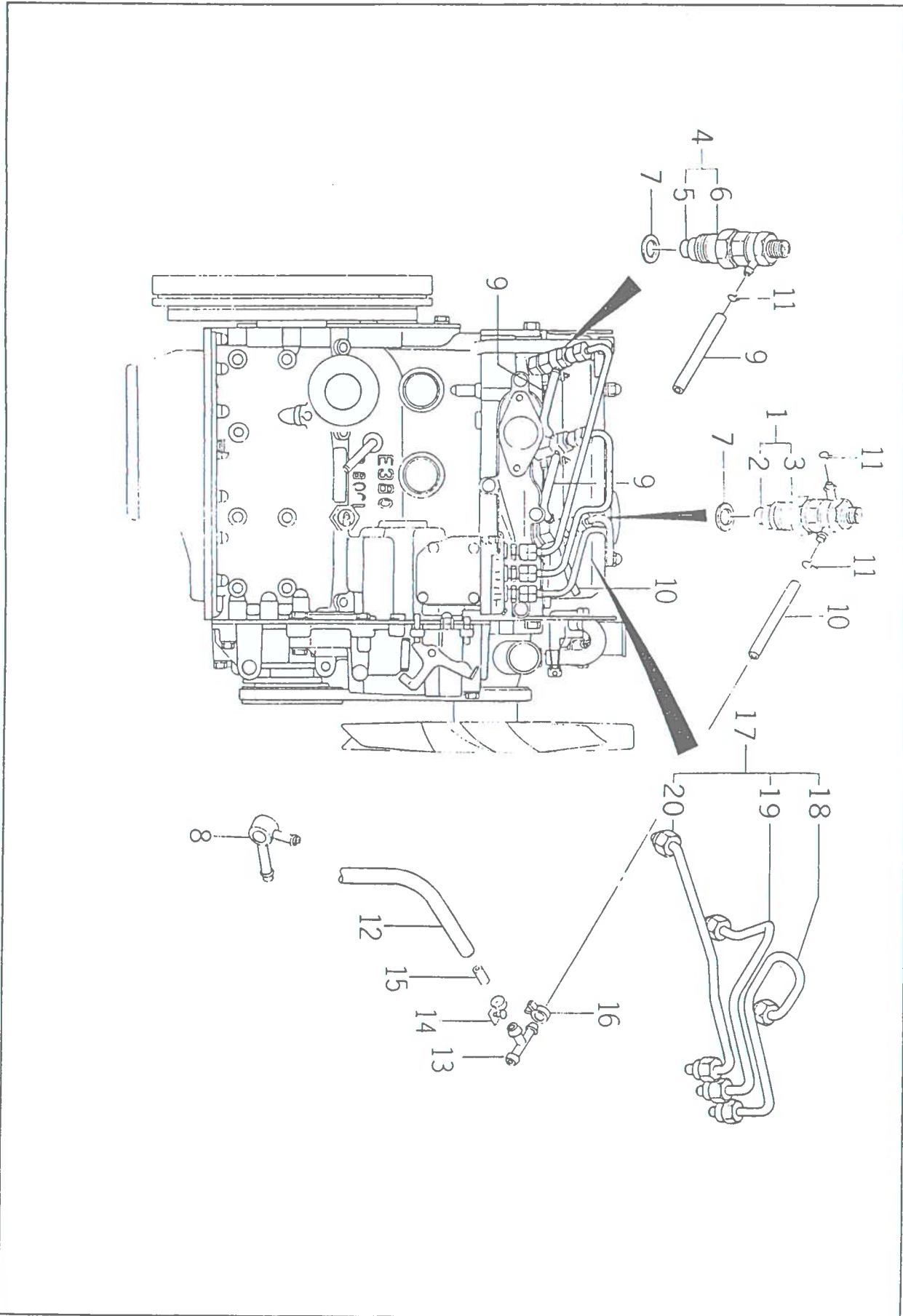
FIG # 12

P. 24

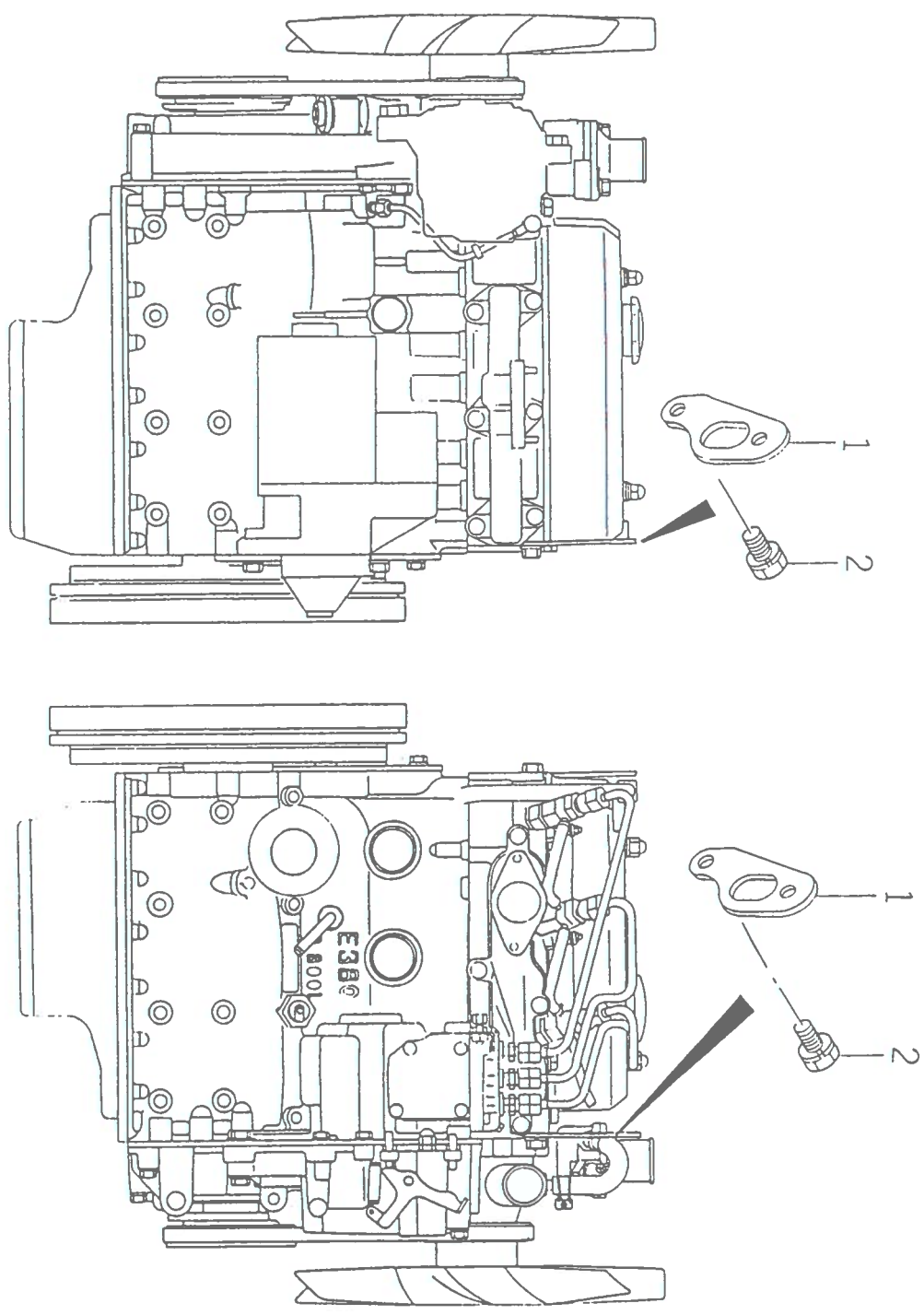
BB
 EE2244555566EEEEUUUUUUUUUUUUUUUUUUUUUU
 221212112212556688EEEEEEEEBBEUEEE2244445566
 12 TT 1212EE244566EE2EEEE22412112211212
 22122122222445122 G G TT
 22 GG 12 2122 S
 C GG

KEY#	S P H C	PART CODE	DESCRIPTION	Q I S T T T Y C C	FROM	UPTO	REMARKS
1		6214-111-009-10	MANIFOLD, INLET	1			
2		6904-110-845-00	STUD	1			
3		6209-300-003-00	STUD	1			
4		6214-310-002-00	SIUTTER, INTAKE ASSY	1			
5		6214-319-002-00	CLIP	1			
6		6509-637-015-00	PACKING	3			
7		6909-812-021-00	BOLT, SLOTTED	1			
8		6909-110-408-00	NUT/M8	2			
9		6909-150-508-00	WASHER	2			
10		6909-164-508-00	WASHER, PL/M8	2			
11		6214-115-001-20	GASKET, INLET MANIFOL	1			
12		6901-910-820-00	BOLT, SEMS/M8X20	3			
13		6901-910-840-00	BOLT	1			
14		6209-580-002-10	SPRING, RETURN	1			
15		6214-141-010-10	MANIFOLG, EXH	1			
16		6214-145-001-20	GASKET, MANIFOLD EXH.	1			
17		6901-910-825-00	BOLT, WS	6			

TU318FE



TU318FE



TU318F

FIG #

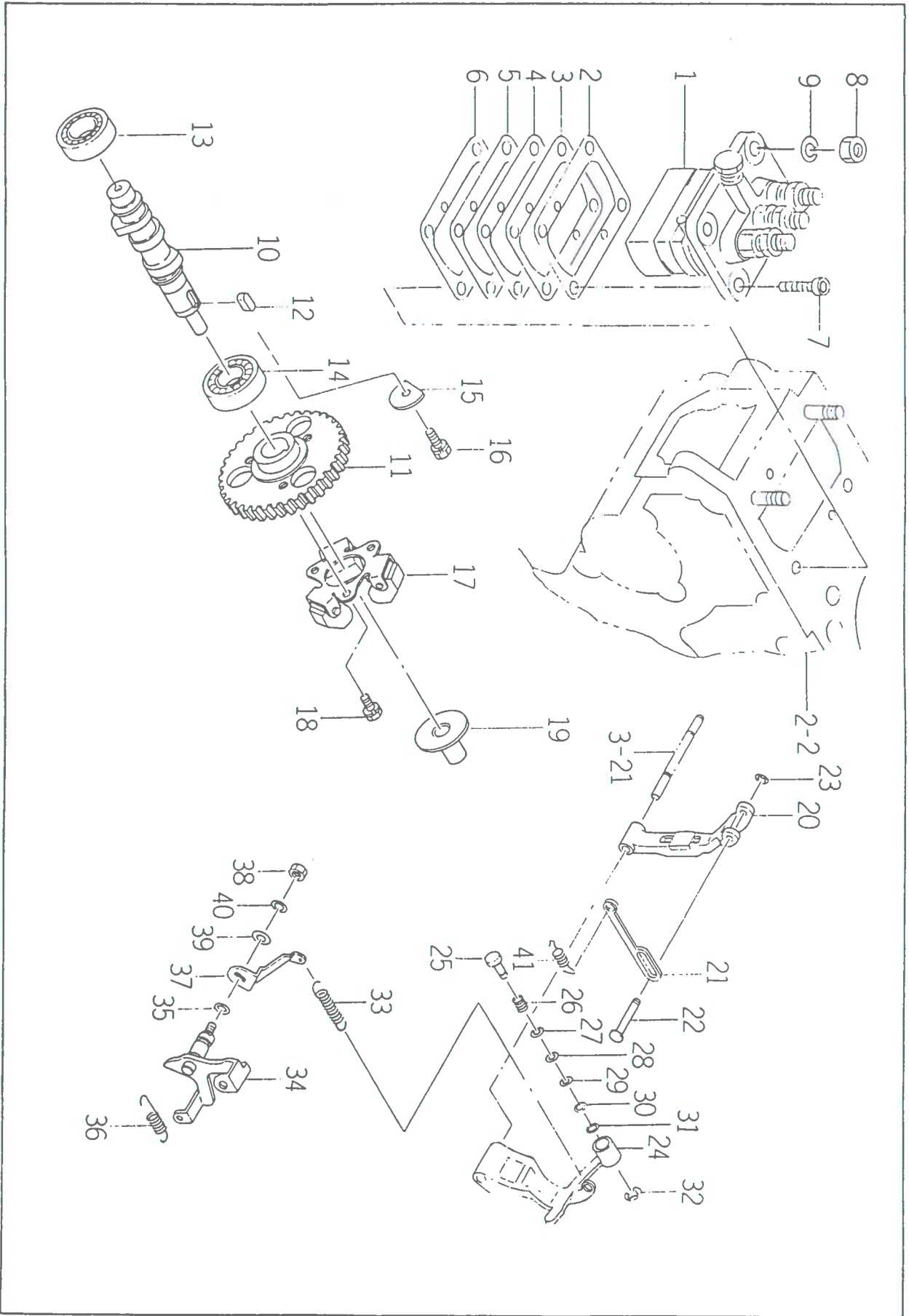
14

P. 28

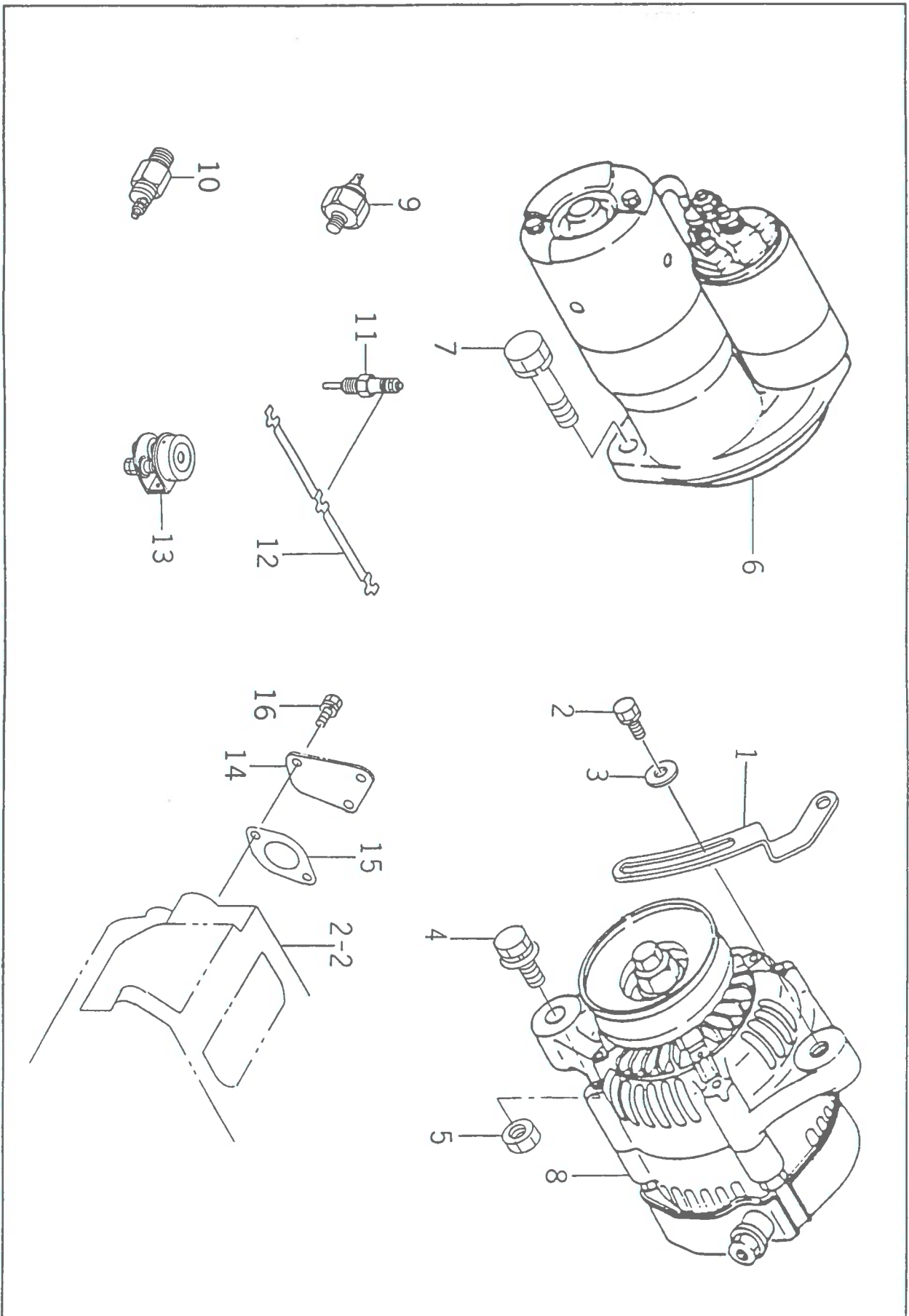
BBB
 EE2244555566EEEEUU
 2212121122125566BBBBEEEEUUUUUUUUUUUUUUUUUUUUUUUUUUUUUUUUUUUU
 12 TT 1212EE244566EE2EEEE22412112211212 G G TT
 2212212222445122 S
 22 GG 12 2122 S
 C GG

KEY#	S C P H C G	PART CODE	DESCRIPTION	Q T Y	I T T C	S C C	T F	FROM	UPTO	REMARKS
1		6211-777-010-00	HANGER	2						
2		6209-030-081-00	BOLT/M10X1.25X18	2						

TU318FE



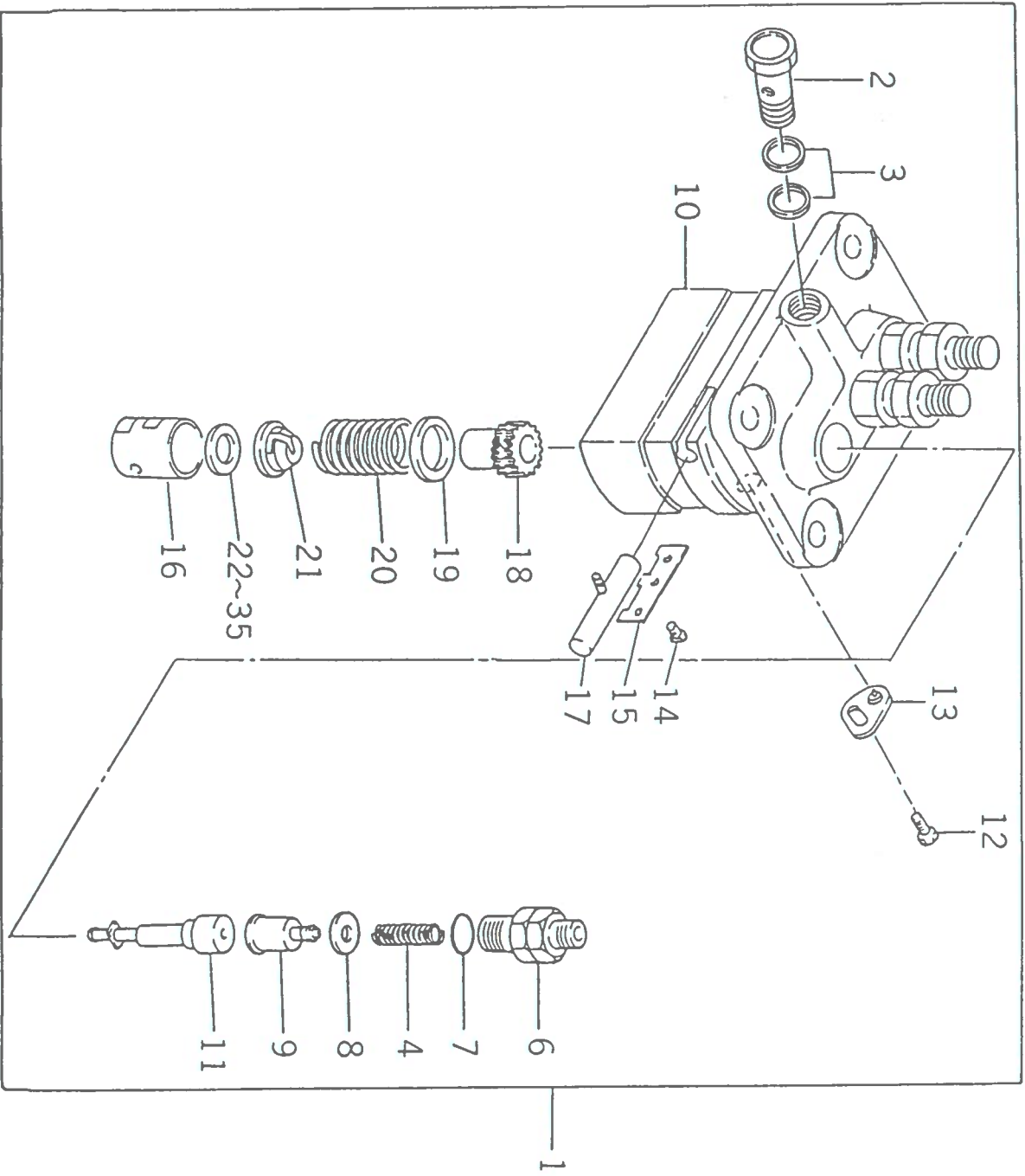
TU318FE



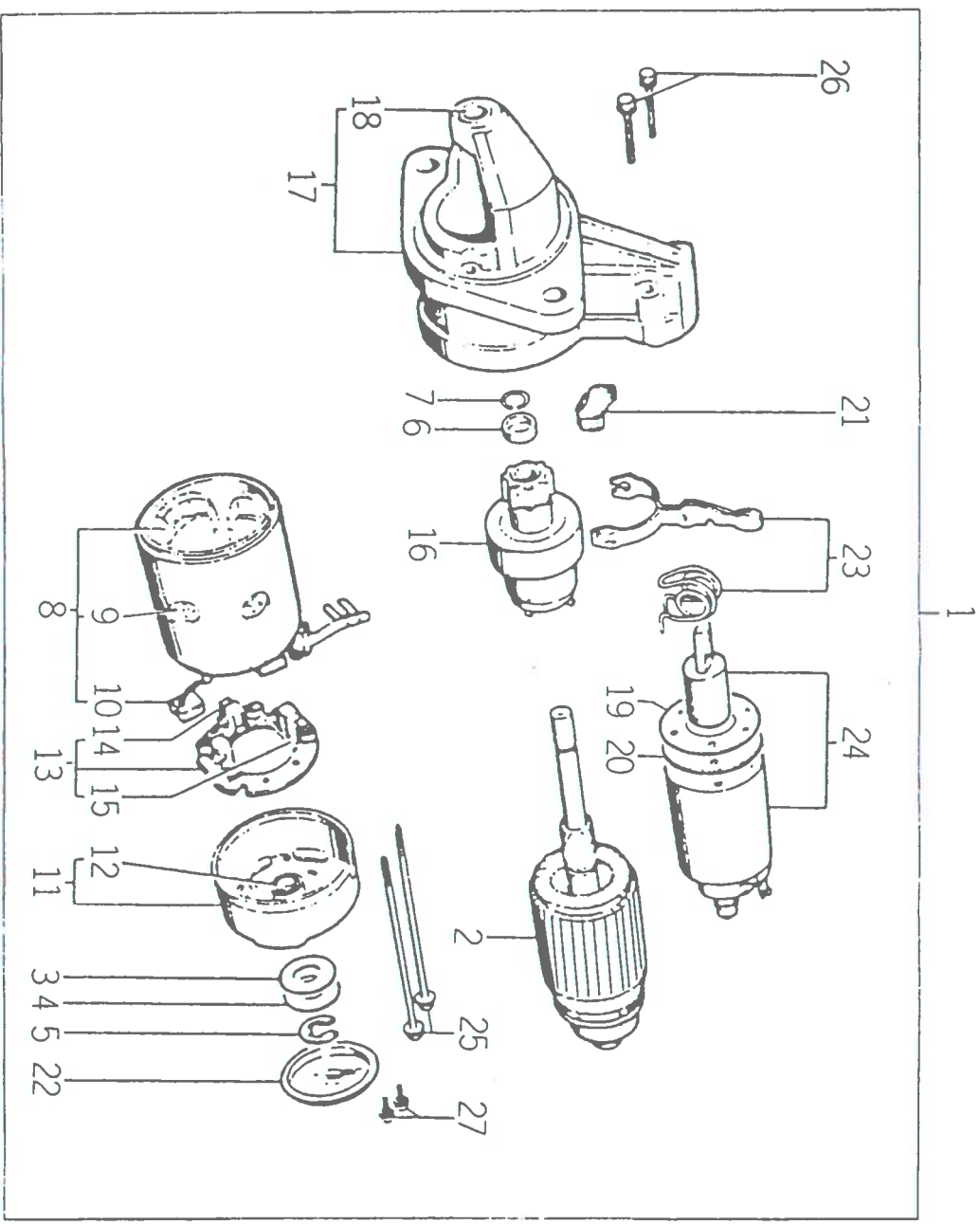
KEY#	S P C	C H C	PART CODE	DESCRIPTION	Q T Y	U N I T	Q T Y	U N I T	FROM	UPTO	REMARKS
1			6213-674-006-00	PLATE, ADJUST	1						
2			6901-910-820-00	BOLT, SEMS/M8X20	1						
3			6909-164-708-00	WASHER, PL/M8	1						
4			6209-031-083-00	BOLT, WSP	1						
5			6909-110-410-00	NUT/M10	1						
6			6581-100-205-00	STARTER ASSY	1						
7			6901-931-240-00	BOLT	2						
8			6281-200-005-00	GENERATOR ASSY	1						
9			6182-410-008-10	SWITCH, OIL PRESSURE	1						
10			6582-450-014-00	SWITCH, THERMETER	1						
11			6281-410-002-20	PLUG, GLOW	3						
12			6219-732-002-00	CONNECTOR, GLOW PLUG	1						
13			6281-420-001-00	RESISTANCE	1						
14			6211-291-008-10	COVER, SOLENOID	1						
15			6209-630-002-10	GASKET, SOLENOID	1						
16			6901-910-612-00	BOLT, SEMS/M6X12	2						

BBBBBBBBBBBBBBBBBBBBBBBBBBBBBBBBBBBBBB
EE224455556666EEUUUUUUUUUUUUUUUUUUUU
2212121122125566BBEEEEEEEEEE2244445566
12 TT 1212EE244566EE2EEEEE2241212211212
22212212222445122 GG TT
22 GG 12 2122 S
22 CC

TU318FE



TU318FE



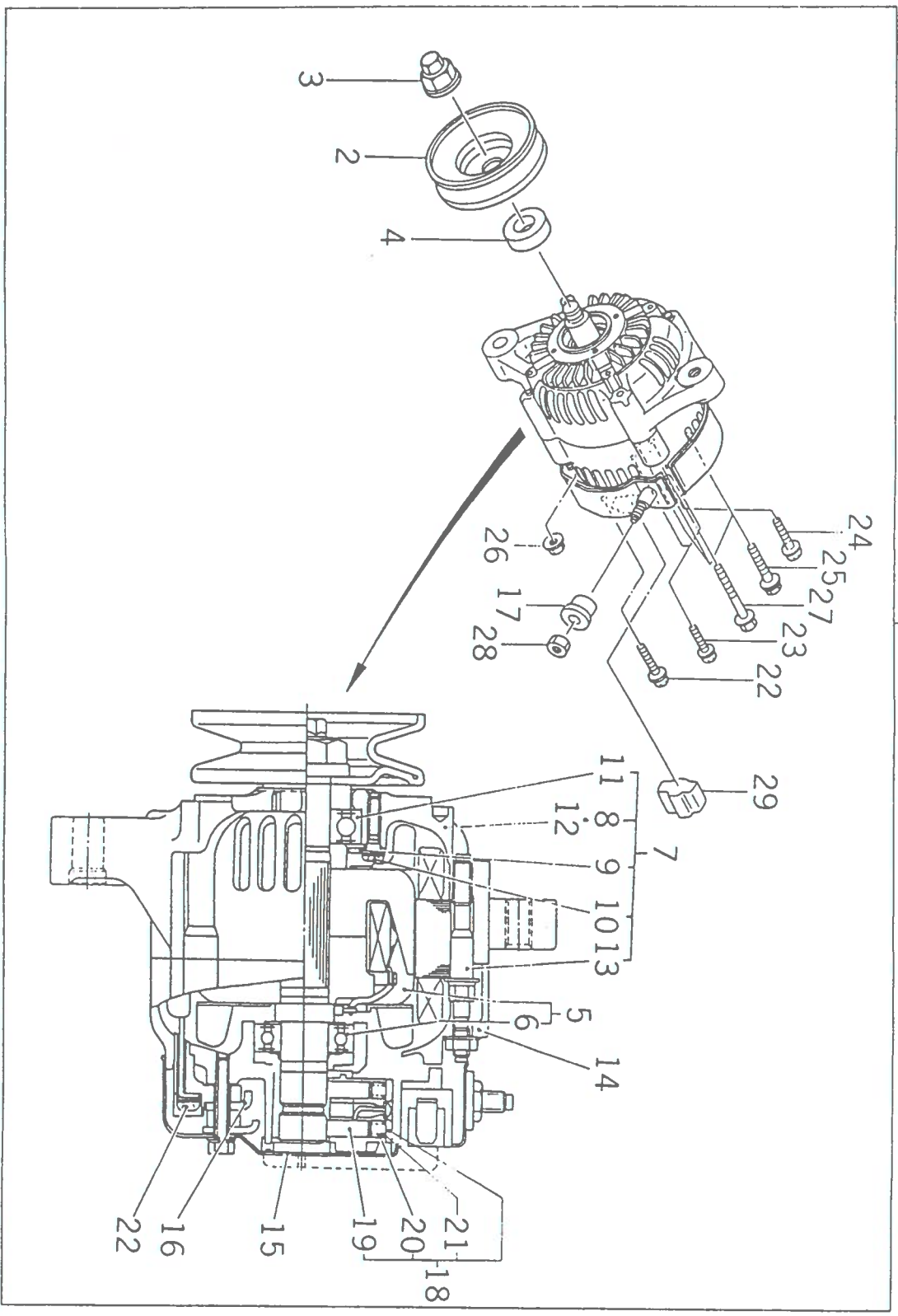
TU318F

FIG # 18

P. 36

KEY#	S P C	C H G	PART CODE	DESCRIPTION	Q T Y	I T C	S T C	FROM	UPTO	REMARKS
1			6581-100-205-00	STARTER	1	1	1			
2			6581-121-041-00	ARMATURE	1	1	1			
3			6894-208-187-00	WASHER	1	2	2			
4			6894-208-288-00	WASHER	1	2	2			
5			6894-208-257-00	E-RING	1	1	1			
6			6894-208-289-00	RING, SNAP	1	1	1			
7			6894-208-290-00	CLIP, PINION STOPPER	1	1	1			
8			6894-208-291-00	COIL, FIELD	1	1	1			
9			6894-208-291-00	SCREW	1	4	4			
10			6581-119-034-00	BRUSH(+)	2	3	3			
11			6581-115-010-00	COVER, REAR	1	2	2			
12			6894-208-295-00	METAL, REAR COVER	1	3	3			
13			6581-119-035-00	BRUSH, HOLDER	1	1	1			
14			6581-119-036-00	BRUSH(-)	1	3	3			
15			6581-117-023-00	SPRING, BRUSH	3	3	3			
16			6581-123-029-00	PINION	1	2	2			
17			6581-113-058-00	CASE, GEAR	1	2	2			
18			6894-208-298-00	METAL, GEAR CASE	1	3	3			
19			6894-208-305-00	COVER, A	1	2	2			
20			6894-208-306-00	COVER, B	1	2	2			
21			6894-208-307-00	COVER, C	1	2	2			
22			6894-208-308-00	COVER, D	1	2	2			
23			6581-127-028-00	LEVER, SHIFT KIT	1	2	2			
24			6581-151-062-00	SWITCH, MAGNETIC	1	2	2			
25			6581-129-280-00	BALL	2	2	2			
26			6901-045-632-00	BOLT	2	2	2			
27			6993-490-412-00	SCREW	2	2	2			

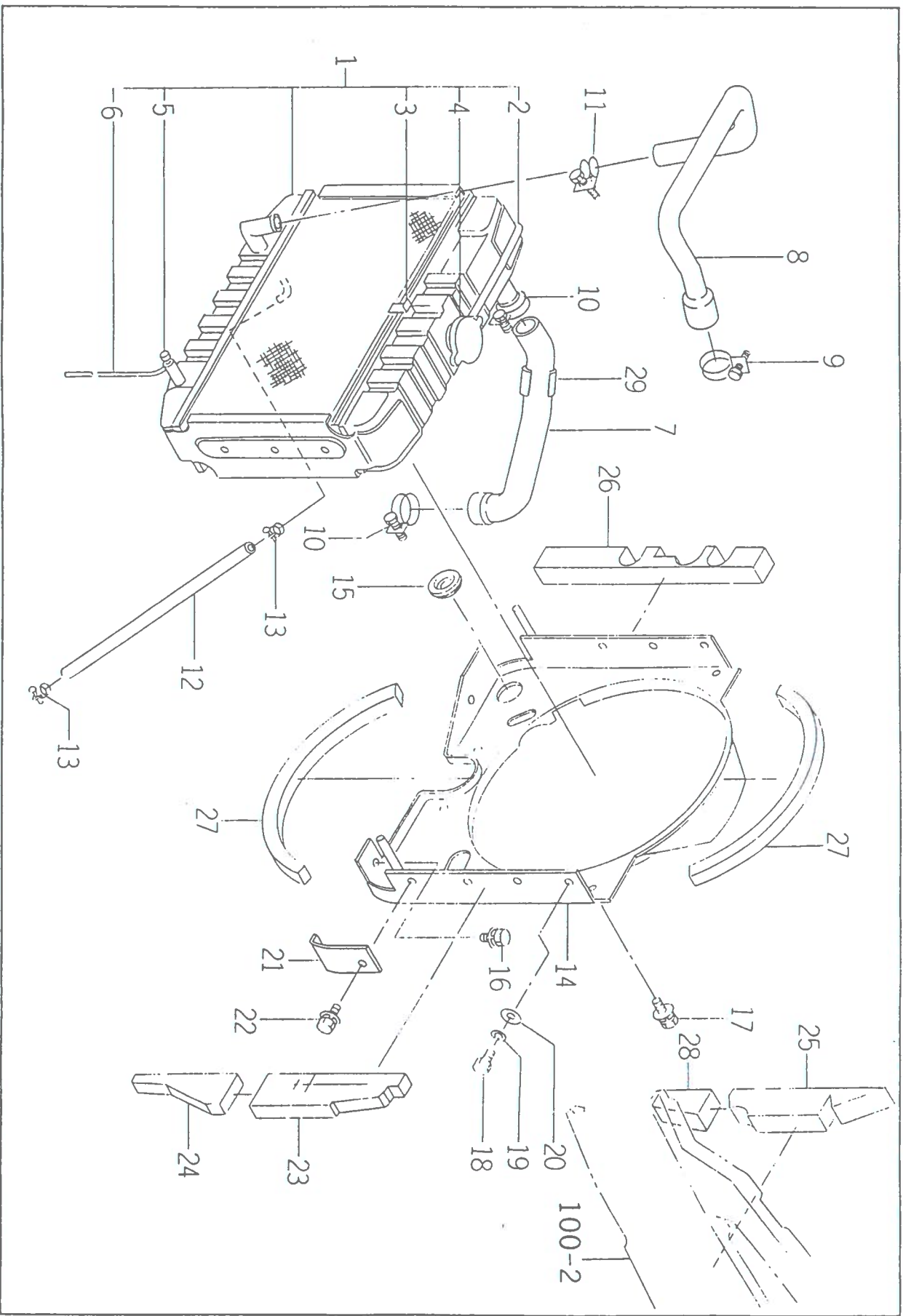
BBBBEEEEEE	EEEEEEEEEEEE	HHHHHHHHHH	HHHHHHHHHH	MMMMMMMMMM	UUUUUUUUUU	UUUUUUUUUU	UUUUUUUUUU			
EE2244555566	EEEEUUUUUUUU	UUUUUUUUUU	UUUUUUUUUU	HHHHHHHHHH	BBBBBBBBBB	EEEEEEEEEE	EEEEEEEEEE			
22121211221	125566BB	EEEEEE	BBUUUUUU	EE224444	555666					
12	T T	1212EE24	4566EE	224121	2211212	G G	TT			
		2221221222	22445122							
		22 GG	12 2122	S						
		C	GG							



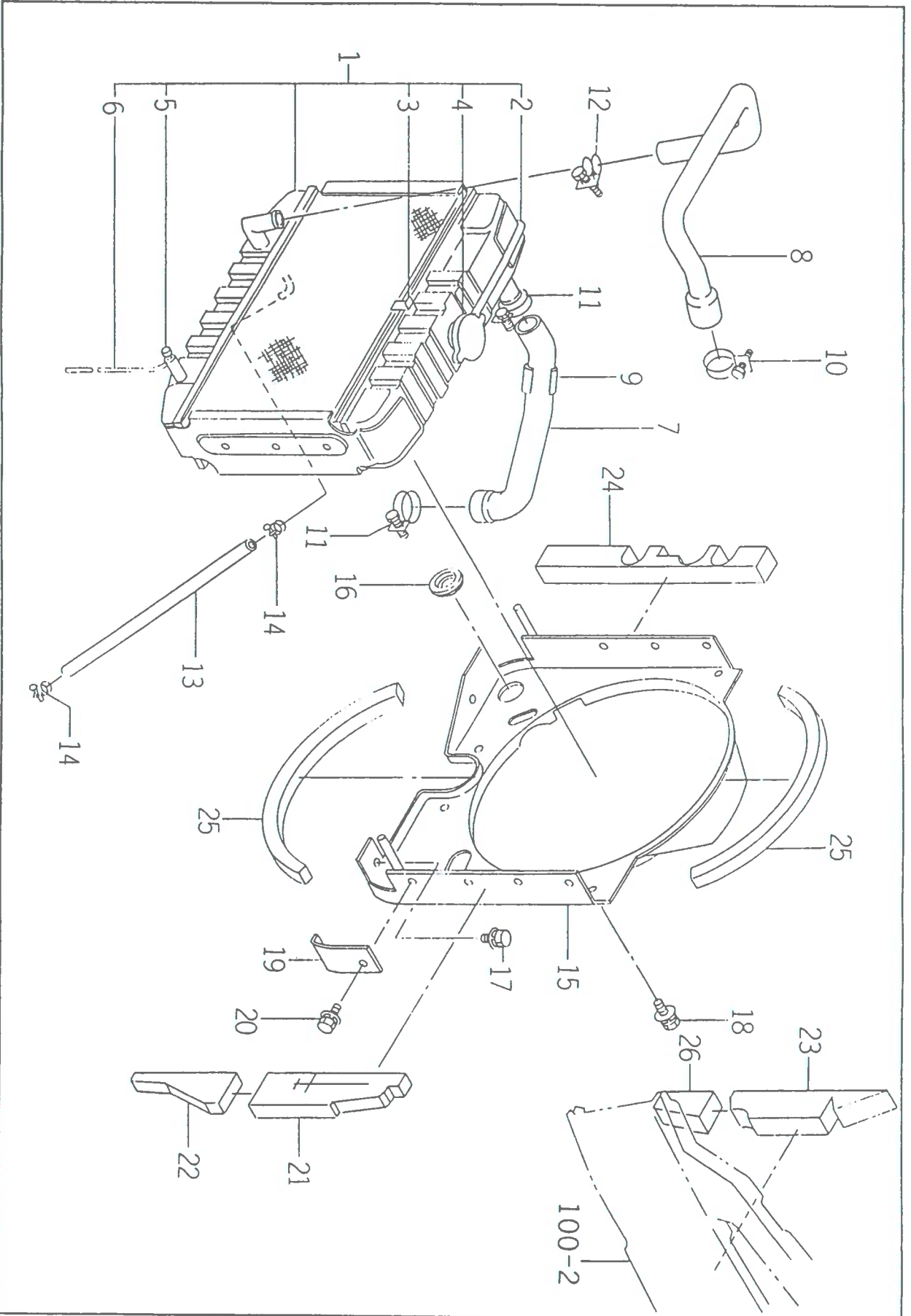
CHASSIS



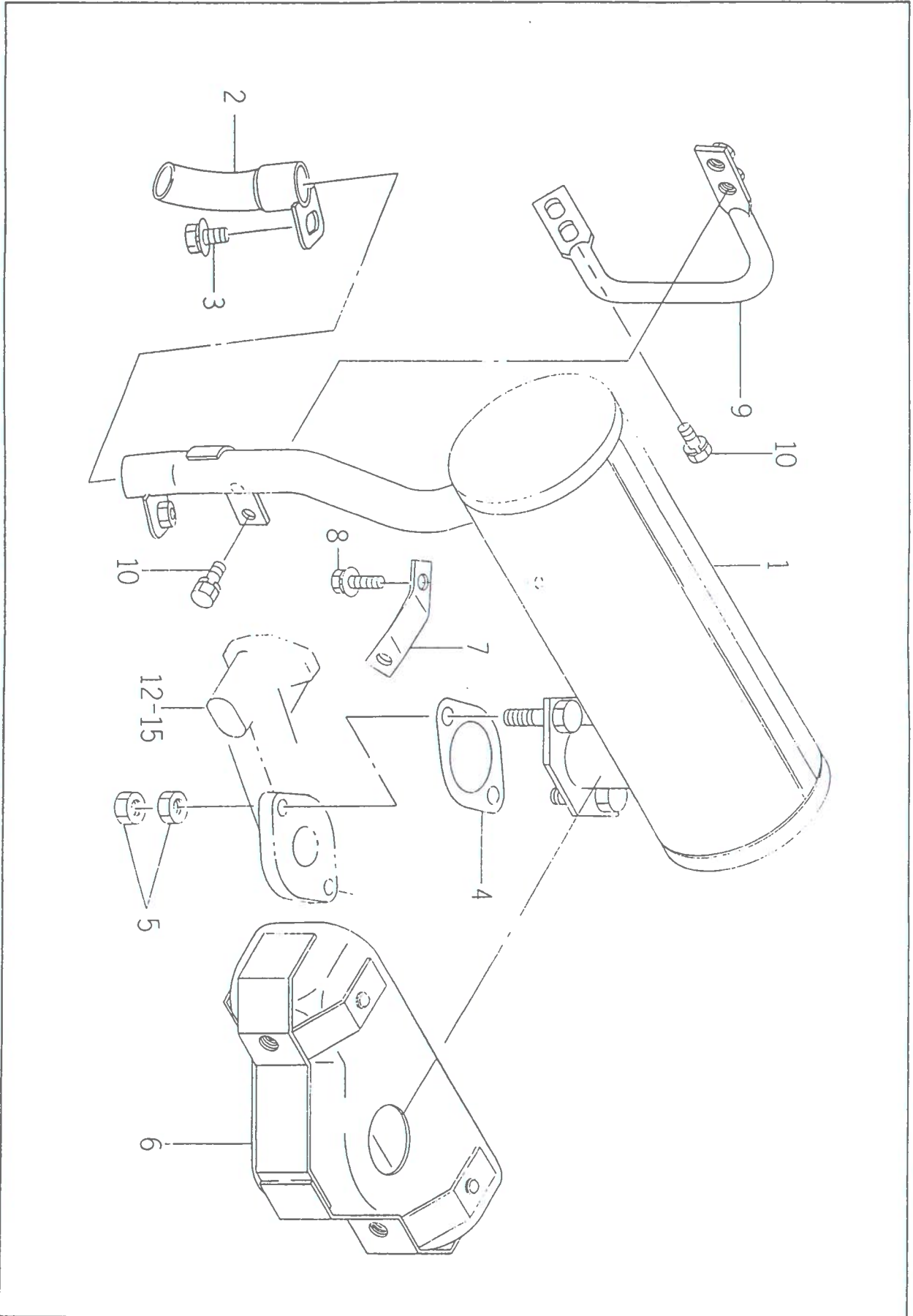
TU318FE



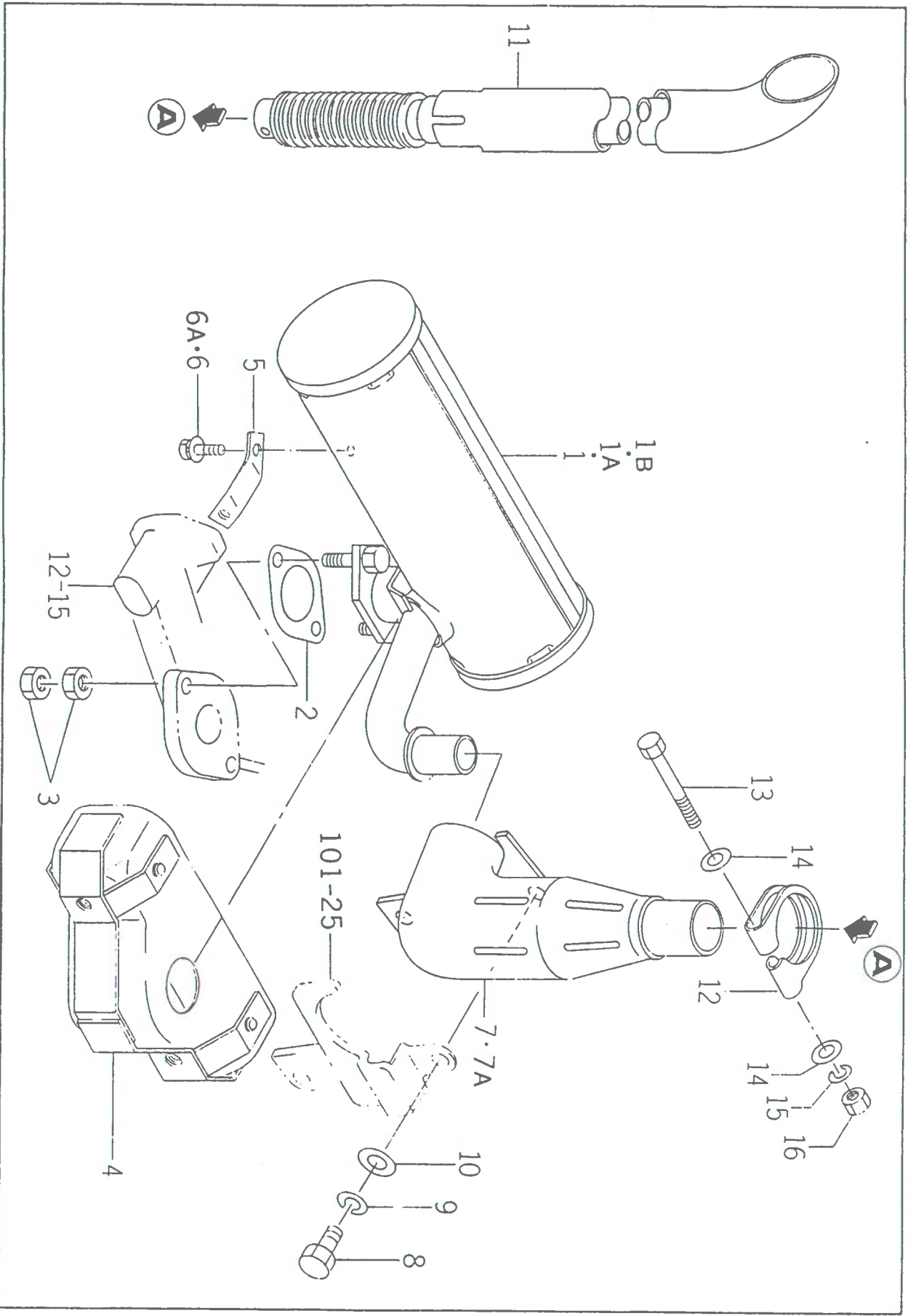
TU318FE



TU318FE



TU318FE



TU318F

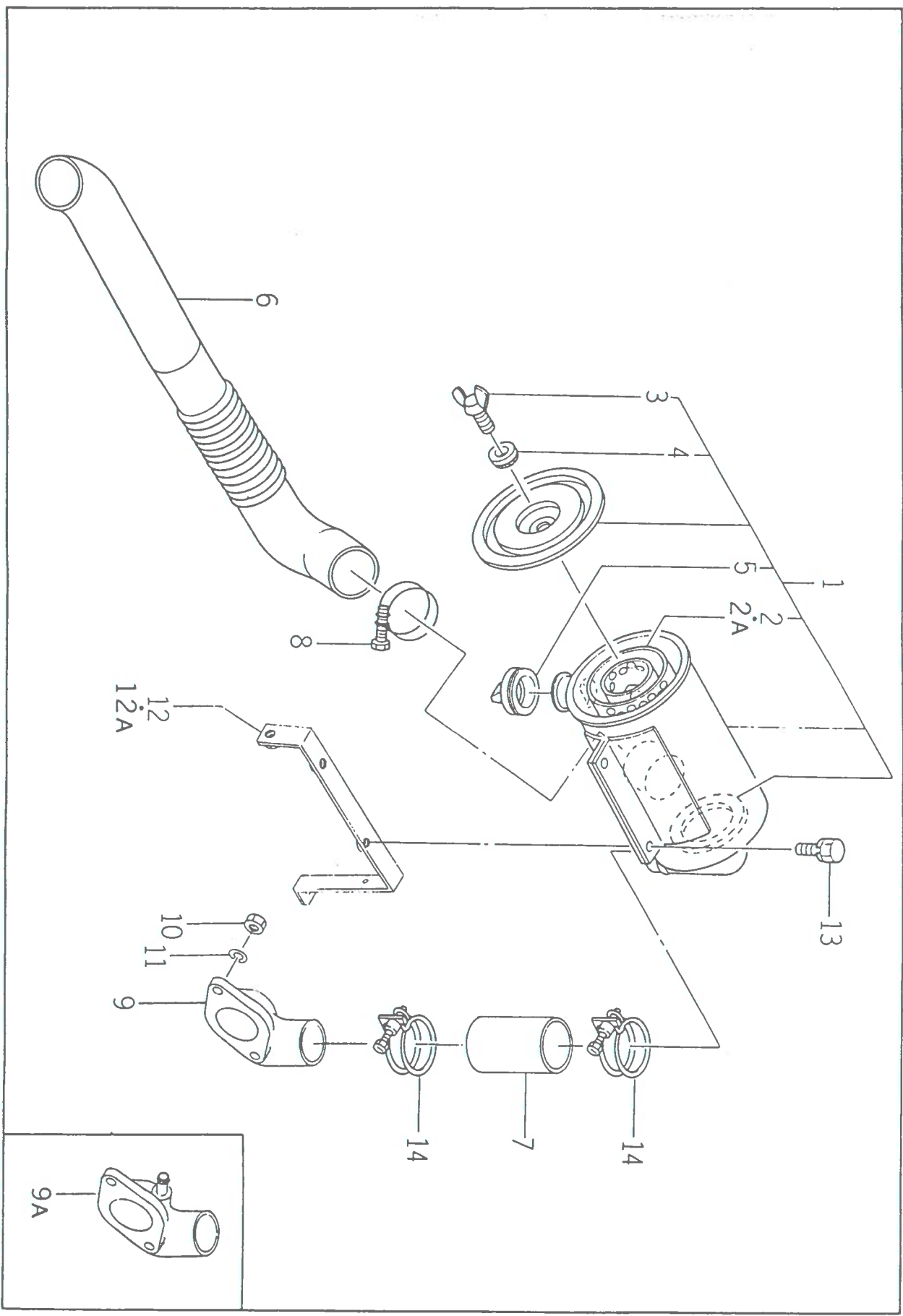
FIG # 23

P. 46

BBBBBBBBBB	EEEEEEEEEE	HHHHHHHH	HHHHHHHH	MMMMMMMM	UUUUUUUU	UUUUUUUU	UUUUUUUU	UUUUUUUU
FE224455	5566EEEE	UUUUUUUU	UUUUUUUU	HHHHHHHH	BBBBBB	EEEEEEEE	EEEEEEEE	EEEEEEEE
22121211	22125566	BBBBBB	EEEEEEEE	UUUUUU	EEEE	224444	555566	EEEEEEEE
12	TT	1212EE	244566EE	222244	5122	GG	TT	GG
		22	GG	12	2122	5		

KEY#	S P H C G	C P H C G	PART CODE	DESCRIPTION	Q T Y	I T C	S C	FROM	UPTO	REMARKS
1			1600-103-300-00	MUFFLER	1					
1A			1600-103-300-10	MUFFLER	1			64		
1B			1600-103-300-20	MUFFLER	1			84		
2			1594-105-001-00	GASKET	1					
3			V333-500-010-00	NUT M10	4					
4			1600-103-260-00	INSULATOR	1					
5			1600-103-003-00	STAY. MUFFLER	1					
6			V211-360-802-50	BOLT, SEMS	2			109		
6A			1600-103-006-00	BOLT, SP/M8X1.25X25	2			110		
7			1600-103-310-00	COVER, TAIL	1					
7A			1600-103-310-10	COVER, TAIL	1			67		
8			V201-261-202-50	BOLT/M12X25	2					
9			V401-160-012-00	WASHER, SP/M12	2					
10			V411-260-012-00	WASHER, /M12	2					
11			1600-103-320-00	PIPE, TAIL	1					
12			1560-105-251-00	CLAMP	1					
13			V201-260-808-00	BOLT/M 8X80	1					
14			V411-260-008-00	WASHER, PL/M 8	2					
15			V401-160-008-00	WASHER, SP/M 8	1					
16			V304-260-008-00	NUT/M 8	1					

TU318FE



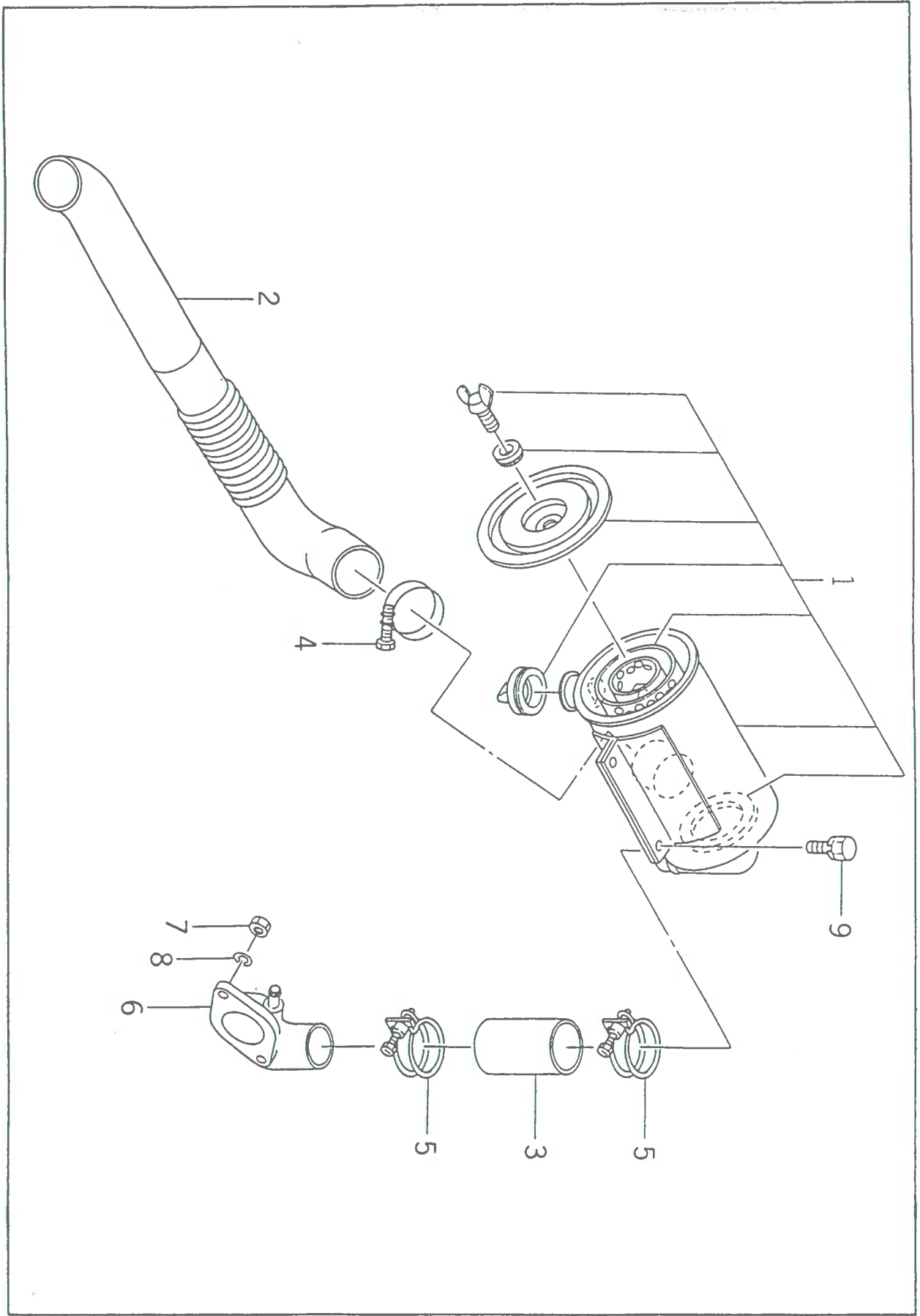
KEY#	S C P H C	PART CODE	DESCRIPTION	Q T Y	I S T C	BBEEEEE224455566EE2212122125566BBEE2244455566 12 TT 1212EE244566EE22212212222445122 GG TT 22 GG 12 2122 S C				FROM	UPTO	REMARKS
1		1575-104-200-10	CLEANER, AIR	1	1	0000000000	00	000000	000000000000000000	F	112	
2		1544-104-202-00	ELEMENT, PAPER	1	2	0000000 0	00	000000	0 00000000	F		
2A		1575-104-202-00	ELEMENT, PAPER	1	2	0000000000	00	000000	000000000000000000	F		
3		V271-160-602-50	BOLT/M6X25	1	2	0000000000	00	000000	000000000000000000			
4		1544-104-204-00	PACKING	1	2	0000000000	00	000000	000000000000000000			
5		1544-104-205-00	VALVE	1	2	0000000000	00	000000	000000000000000000			
6		1575-104-002-00	PIPE, INLET	1		0000000000	00	000000	000000000000000000			
7		1600-104-001-00	PIPE, OUTLET	1		0000000000	00	000000	000000000000000000			
8		1427-101-022-00	CLAMP/48	1		0000000000	00	000000	000000000000000000			
9		1600-104-002-00	PIPE, INLET	1		0000000 0	00	000 00	0 00000000	F	64	
9A		1600-104-230-00	PIPE, INLET	1		0000000000	00	000000	000000000000000000	F	65	
10		V304-260-008-00	NUT/M 8	2		0000000000	00	000000	000000000000000000			
11		V401-160-008-00	WASHER, SP/M 8	2		0000000000	00	000000	000000000000000000			
12		1600-104-210-10	BRACKET, AIR CLEANER	1		0000000000	00	000000	000000000000000000	F	79	
12A		1600-104-210-20	BRACKET, AIR CLEANER	1		0000000000	00	000000	000000000000000000	F	80	
13		V211-260-801-60	BOLT, SEMS (S) M8X16	4		0000000000	00	000000	000000000000000000			
14		3621-304-003-00	CLIP/56	2		0000000000	00	000000	000000000000000000			

FIG. # 25

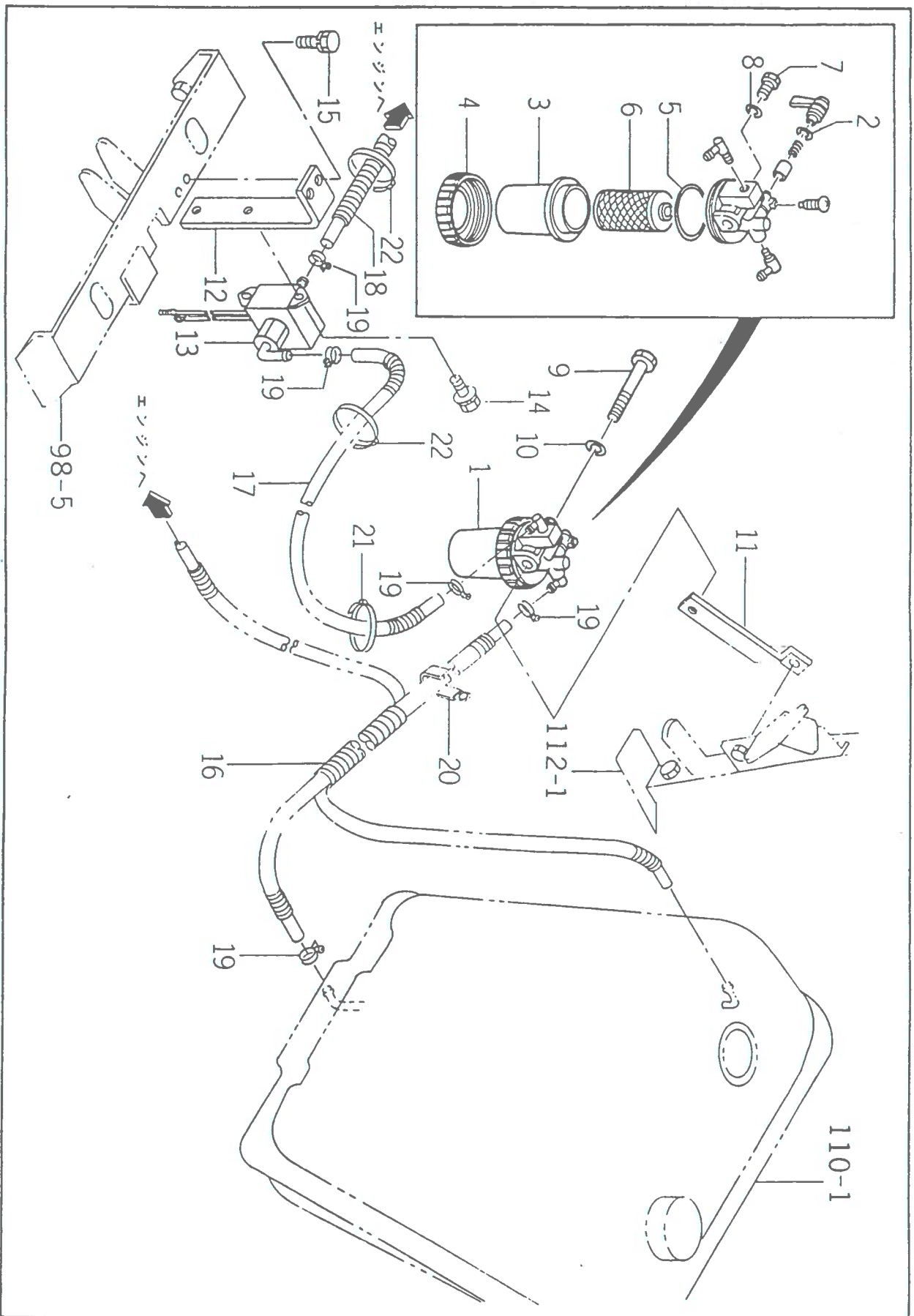
AIR CLEANER SYSTEM (60)

P. 49

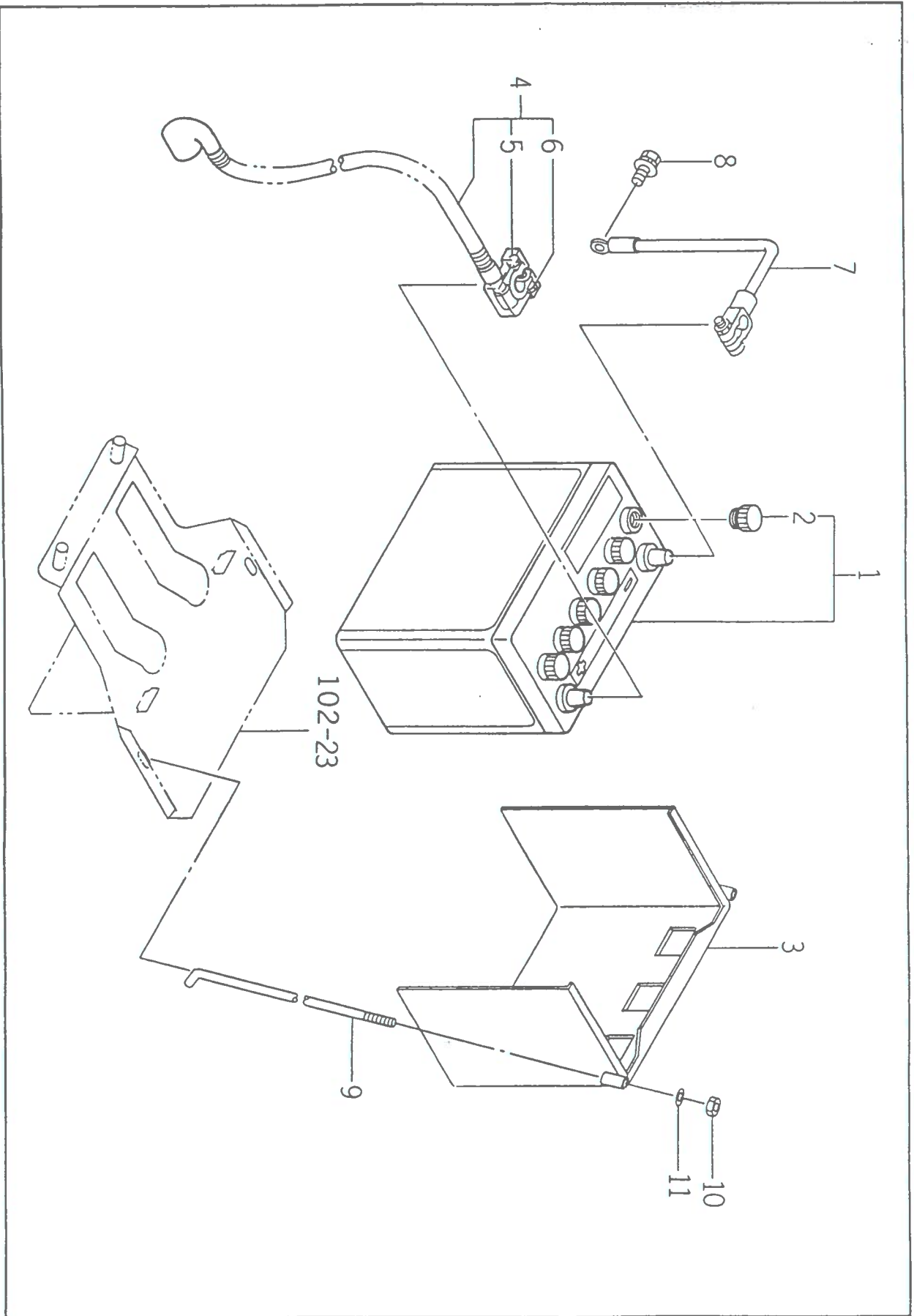
TU318FE



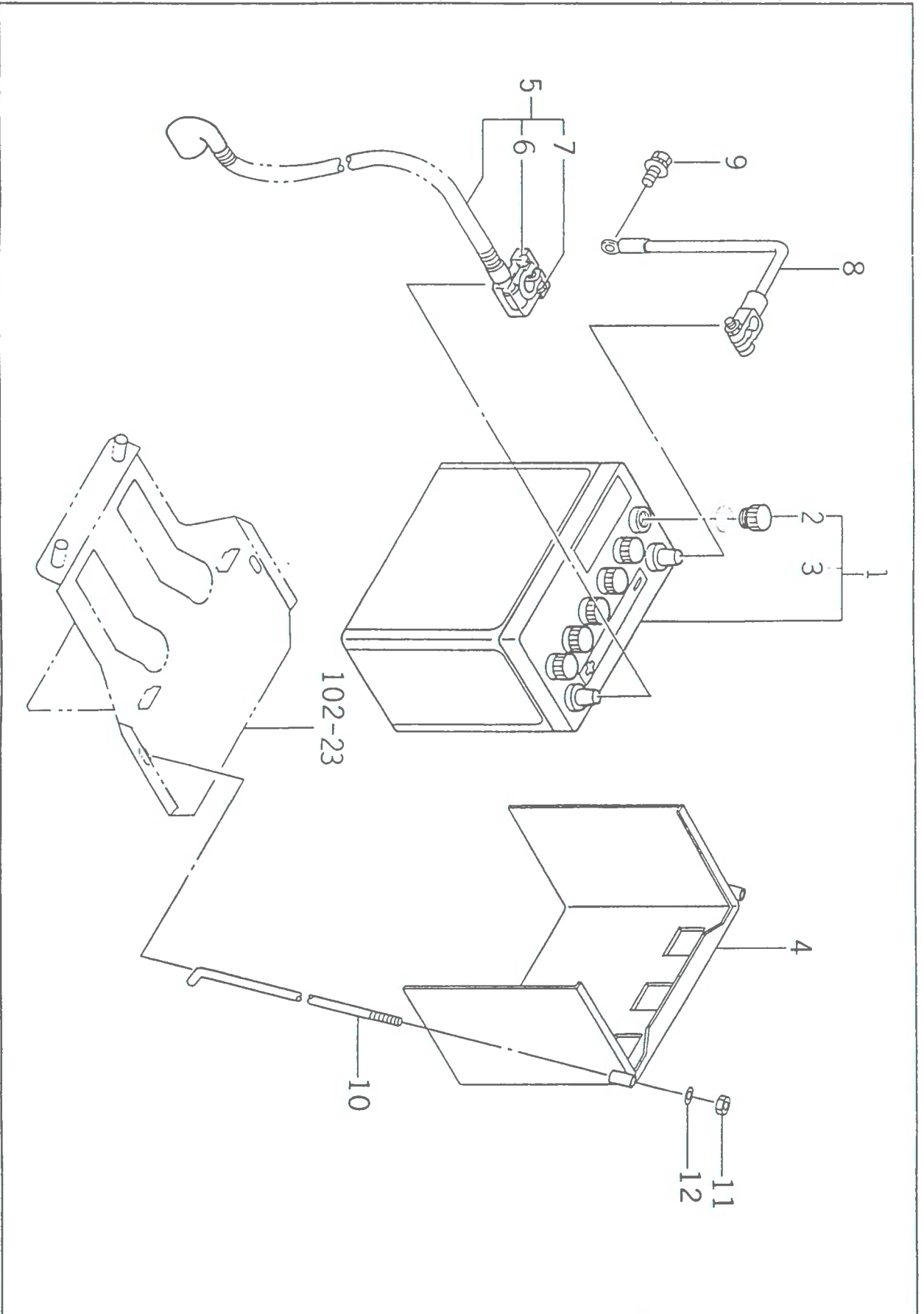
TU318FE



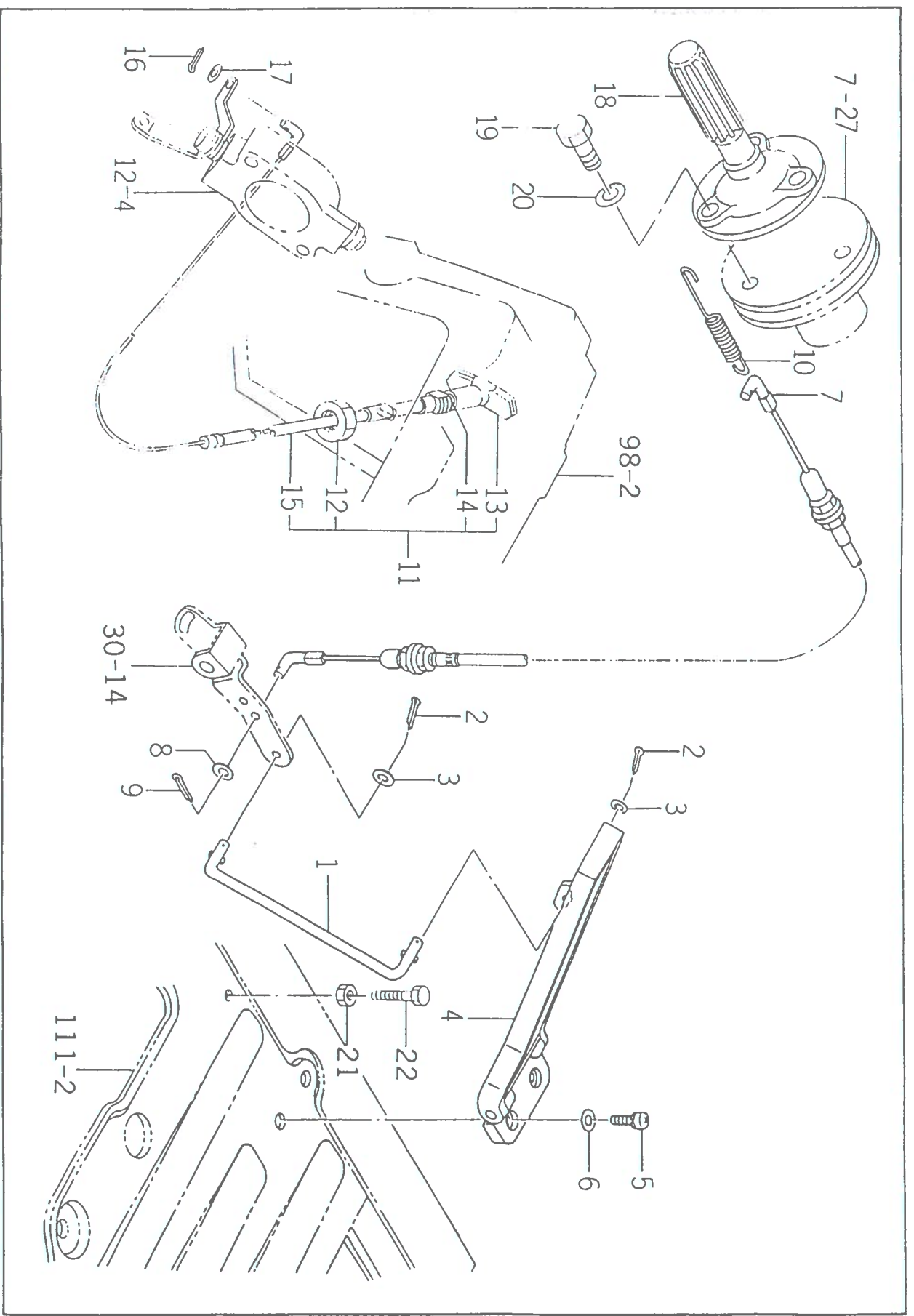
TU318FE

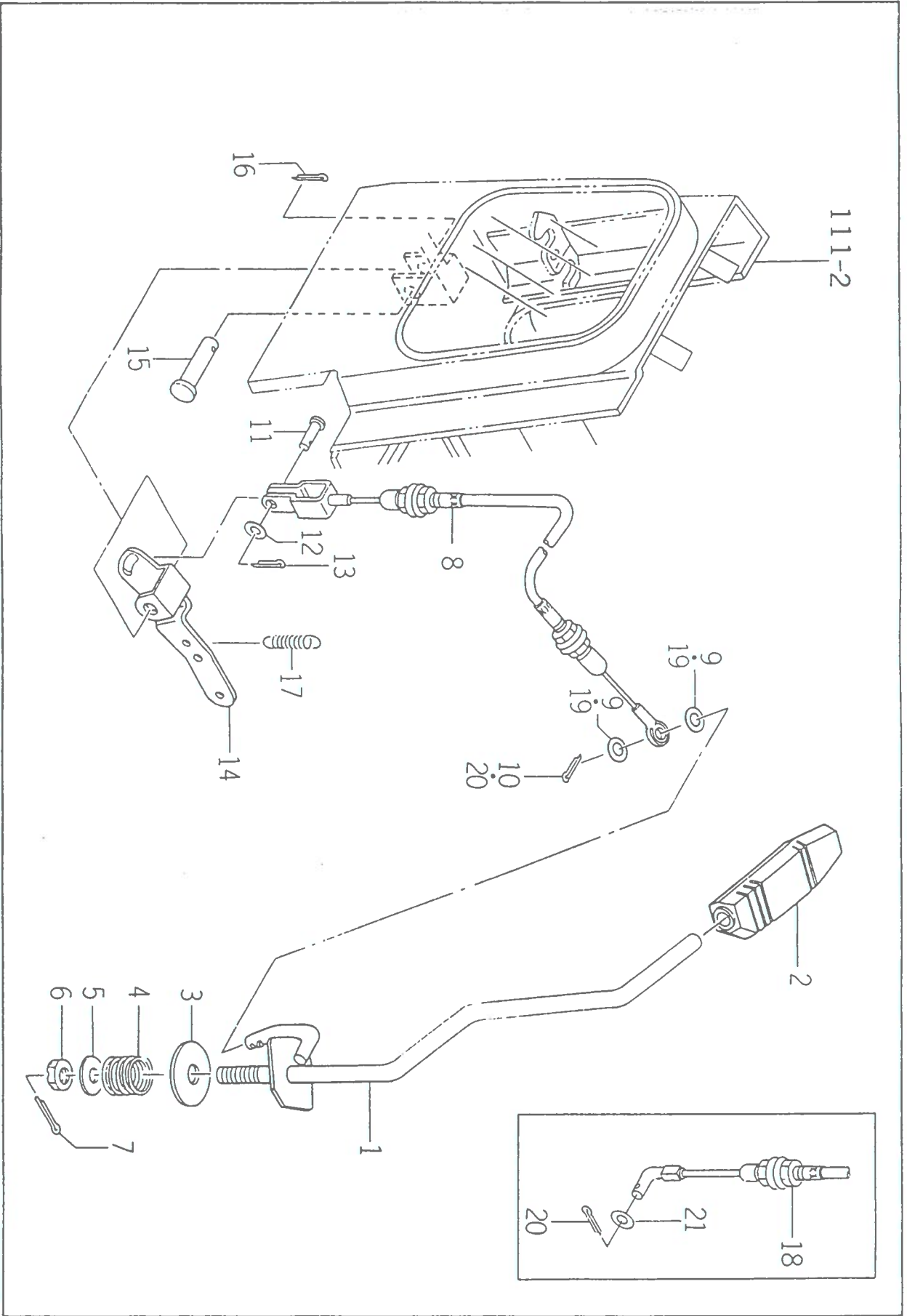


TU318FE



TU318FE





TU318F

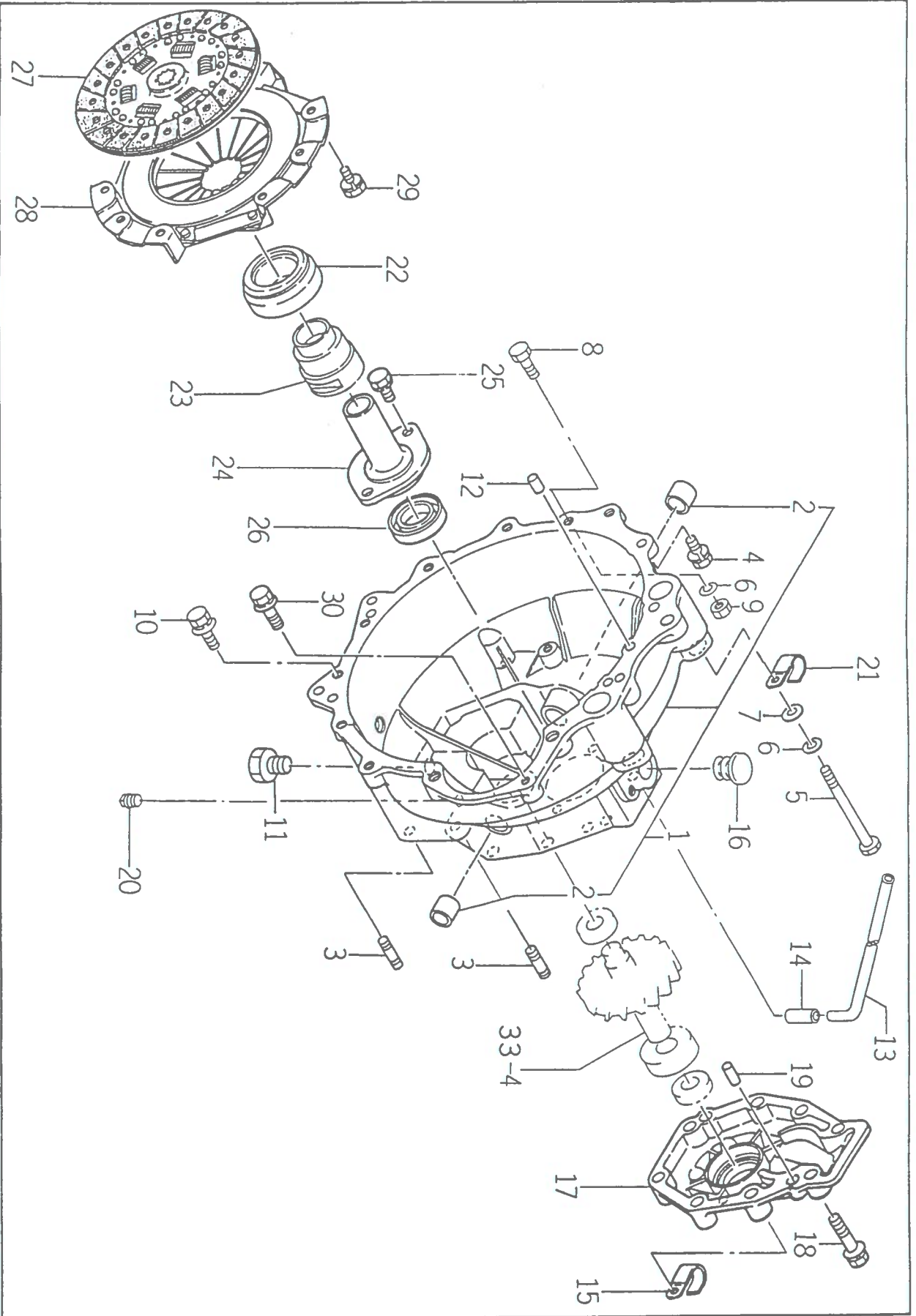
FIG #

30

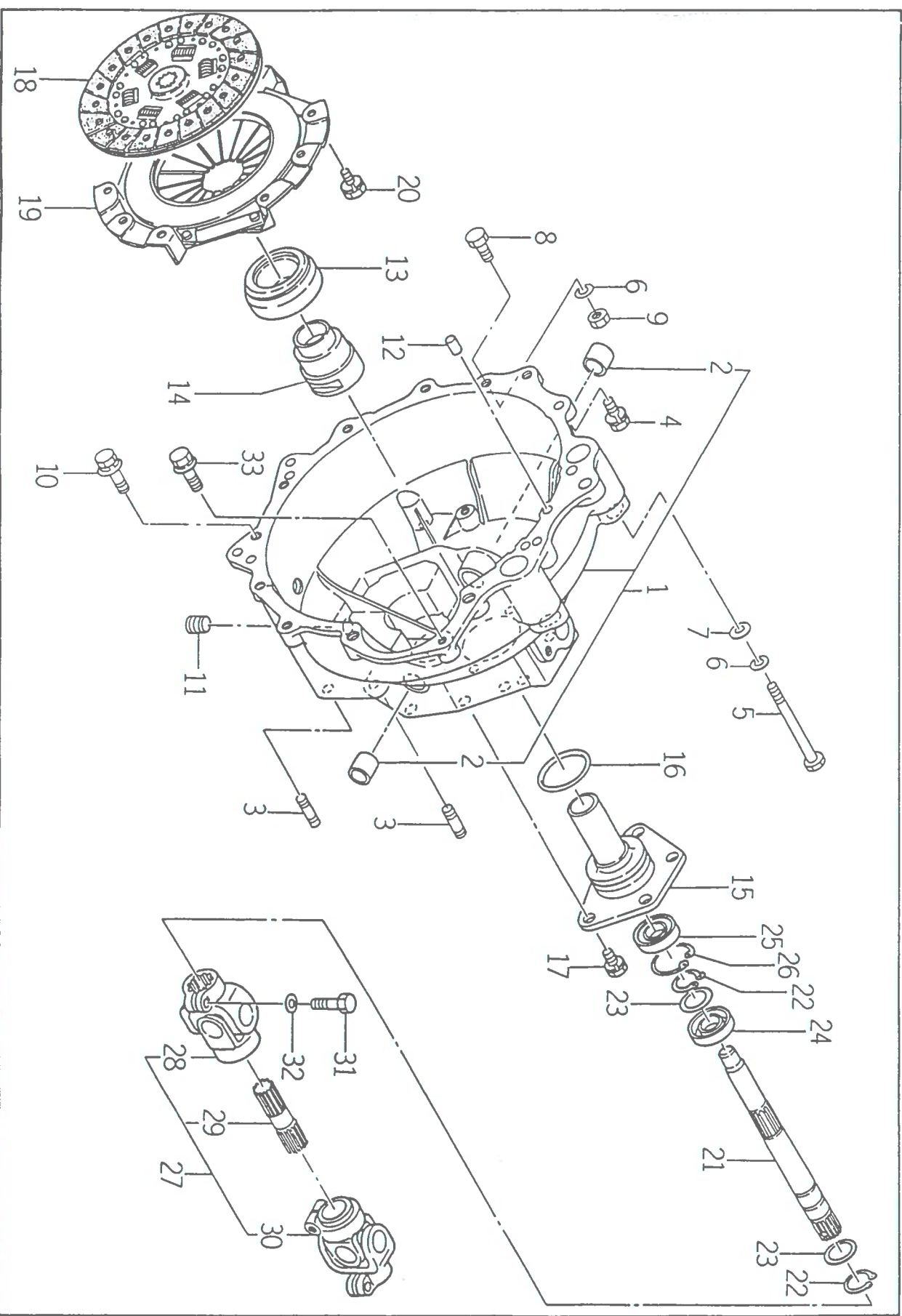
P. 60

KEY#	S C P H C G	PART CODE	DESCRIPTION	Q T Y	I S T C	FROM	UPTO	REMARKS
1		1600-117-200-00	LEVER, AXLE	1				
2		1544-117-005-10	CRIP/10X115	1				
3		1600-117-002-00	LINING/11X40X03	1				
4		1404-117-008-00	SPRING, PRESS/22	1				
5		V411-260-010-00	WASHER/M10	1				
6		V328-262-110-00	NUT/M10X1.25	1				
7		V500-162-502-50	PIN, SPLIT/2.5X25	1				
8		1575-117-220-00	CABLE	1				
9		V411-260-008-00	WASHER, PL/M 8	2				
10		V500-162-502-00	PIN, SPLIT/2.5X20	1				
11		1326-401-007-00	PIN, MAIN CLUTCH CAM	1				
12		V411-260-006-00	WASHER / M6	1				
13		V500-162-001-50	PIN, SPLIT/2 X15	1				
14		1575-117-001-00	ARM, AXLE	1				
15		2100-217-002-00	PIN, VALVE ARM	1				
16		V500-162-502-00	PIN, SPLIT/2.5X20	1				
17		1480-117-002-00	SPRING, TENSION (52)	1				
18		1600-117-500-00	CABLE, AXLE	1				
19		V411-260-008-00	WASHER, PL/M 8	2				
20		V500-162-002-00	PIN, SPLIT/2 X20	2				
21		V411-260-006-00	WASHER / M6	1				

TU318FE



TU318FE



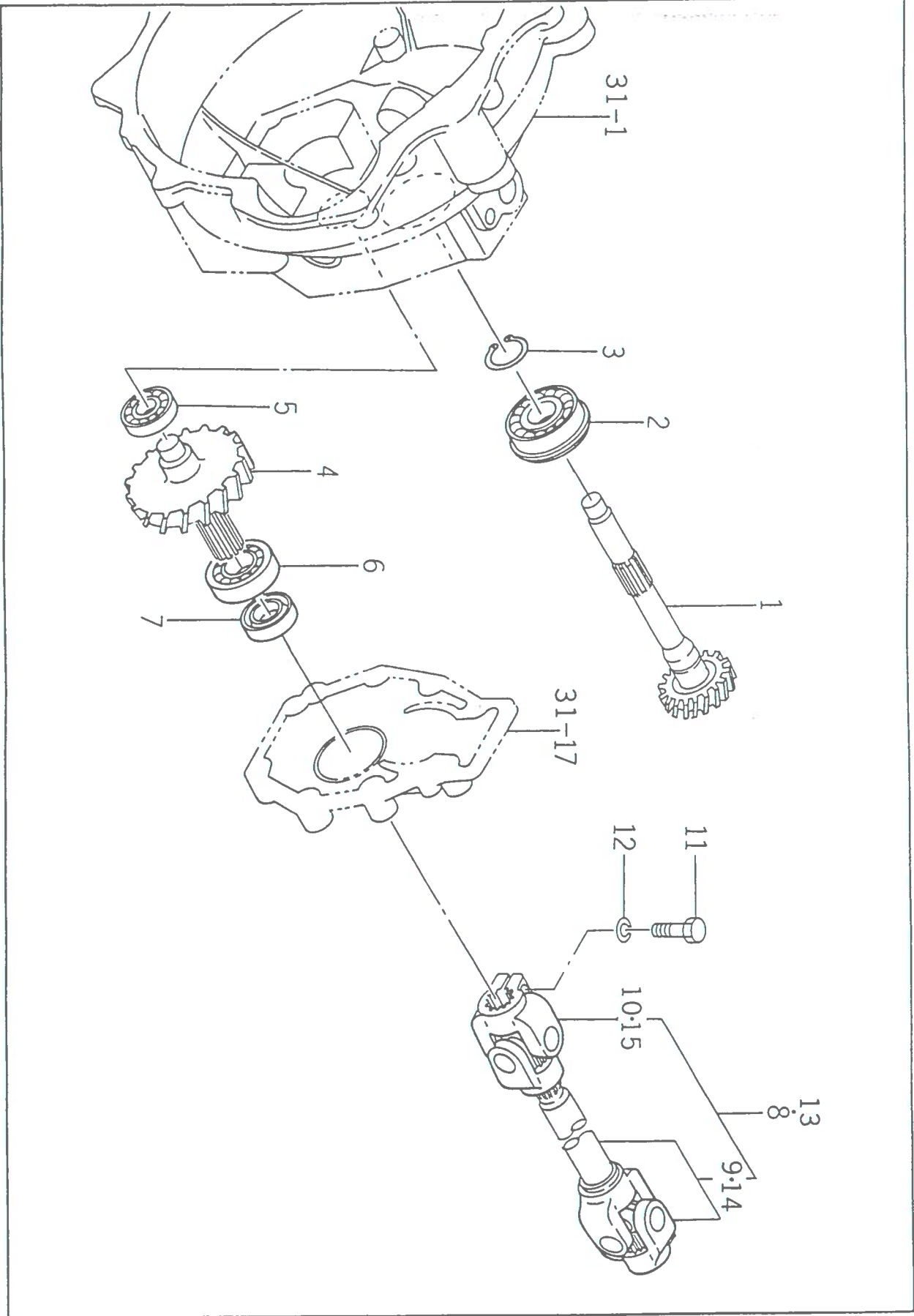
TU318F

FIG # 32

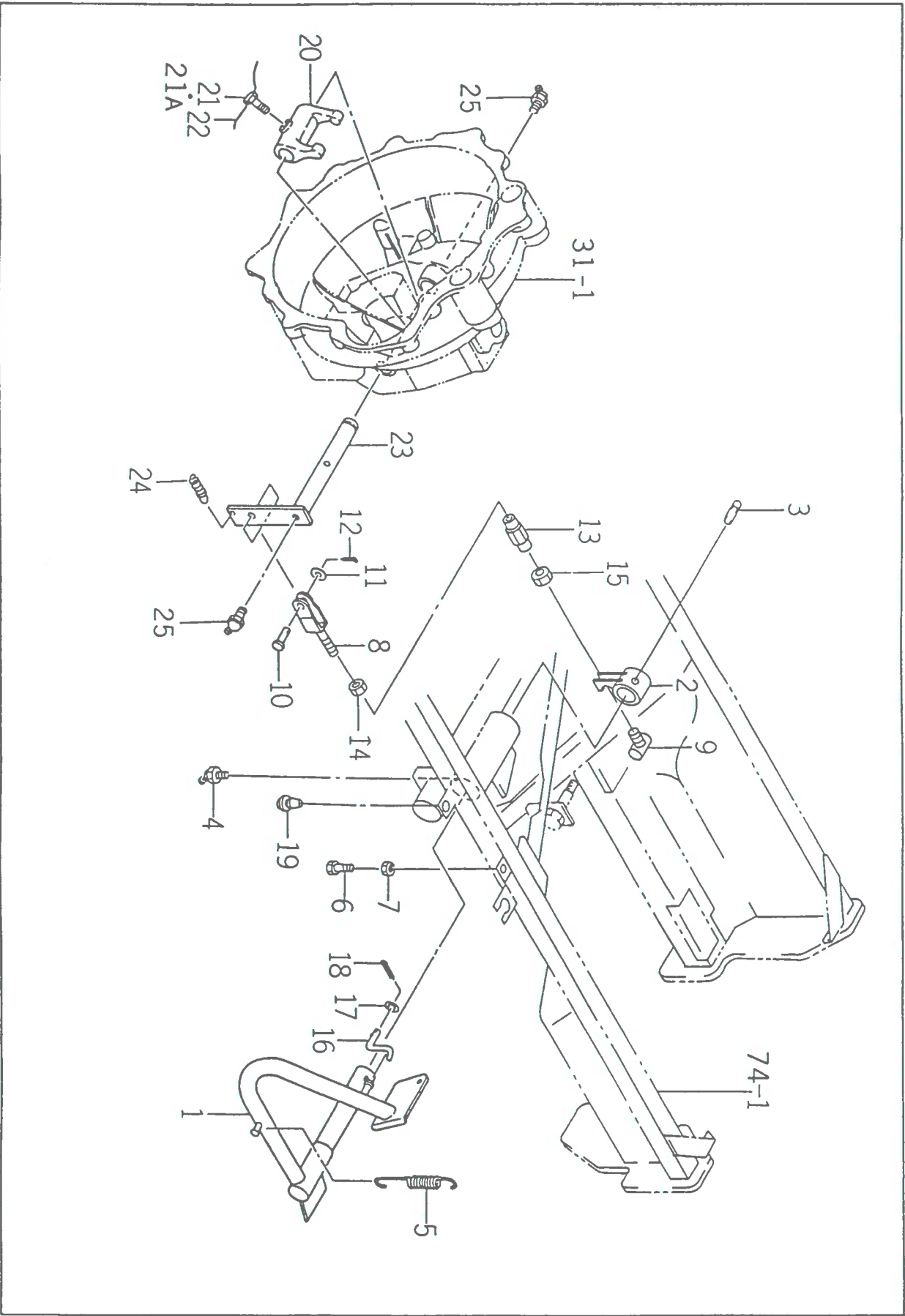
P. 64

KEY#	S C P H C G	PART CODE	DESCRIPTION	Q T Y	I T C	S C	FROM	UPTO	REMARKS
1		1575-120-200-00	HOUSING, CLUTCH SET	1	1				
2		1544-120-007-10	BUSH/19X22X20	2	2				
3		V252-261-002-50	BOLT, STUD/M10X25	4					
4		V211-261-003-00	BOLT(S) M10X30	5					
5		1600-120-004-00	BOLT, SM/M10X1.25X105	2					
6		V401-160-010-00	WASHER, SP/M10	3					
7		V411-260-010-00	WASHER/M10	2					
8		V201-261-003-50	BOLT/M10X35	1					
9		V304-260-010-00	NUT	1					
10		V211-361-002-50	BOLT/M10X25	2					
11		V780-100-000-40	PLUG PT1/4	1					
12		V520-100-801-60	PIN, ST/ 8X16	1					
13		1491-120-001-00	BEARING, CLUTCH RS	1					
14		1545-120-001-00	SLEEVE	1					
15		1579-120-001-00	GUIDE, SLEEVE	1					
16		V720-105-705-20	O-RING/P52	1					
17		V211-261-002-50	BOLT(S) M10X25	4					
18		1600-120-220-00	CLUTCH, DISK/184 COMP	1					
19		1600-120-230-00	CLUTCH ASSY	1					
20		V211-260-802-00	BOLT, SEMS (S)	6					
21		1600-120-003-00	SHAFT, INPUT	1					
22		V704-140-020-00	RING, SNAP/20 C	2					
23		1427-212-002-00	WASHER/20X28X2	2					
24		V744-120-420-80	SEAL, OIL/TC20428	1					
25		V600-150-600-40	BEARING, RB/6004SS	1					
26		V705-140-042-00	RING, SNAP/42 C	1					
27		1600-120-500-00	JOINT, UNIVERSAL ASSY	1					
28		1548-120-302-10	JOINT, UNIVERSAL, F	1					
29		1600-120-501-00	SHAFT, JOINT	1					
30		1548-120-303-10	JOINT, UNIVERSAL, R	1					
31		1544-122-004-10	BOLT/M8X30	3					
32		V401-160-008-00	WASHER, SP/M 8	3					
33		V201-261-204-00	BOLT/M12X40	2					

TU318FE



TU318FE



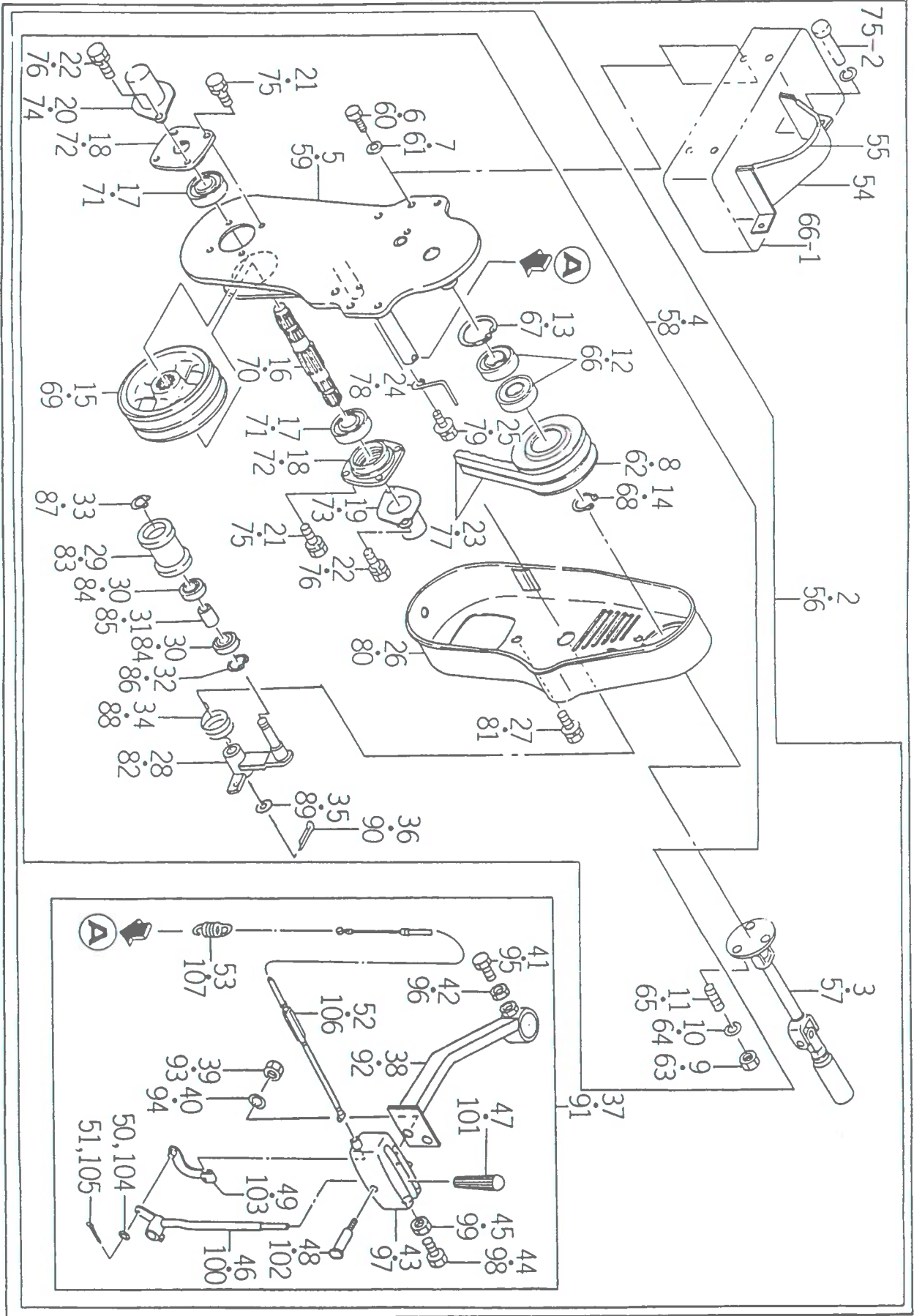
TU318F

FIG # 34

P. 68

KEY#	S C P H C G	PART CODE	DESCRIPTION	Q I S		FROM	UPTO	REMARKS
				T Y C	T T C			
1		1575-123-200-10	ARM, CLUTCH	1				
2		1575-123-210-00	ARM	1				
3		V530-160-804-00	PIN/8X40	1				
4		V762-150-000-00	NIPPLE, GREASE/B-MGF	1				
5		1575-123-002-00	SPRING/HE130	1				
6		V201-260-802-50	BOLT/M 8X25	1				
7		V304-260-008-00	NUT/M 8	1				
8		1600-123-210-10	ROD/Ø55	1				
9		1600-123-220-00	PIN/14X38	1				
10		1432-242-001-00	PIN	1				
11		V411-260-008-00	WASHER, PL/M 8	1				
12		V500-162-002-00	PIN, SPLIT/2 X20	1				
13		1444-122-002-00	TURNBUCKLE/M8	1				
14		1560-132-007-30	NUT/M8	1				
15		V304-260-008-00	NUT/M 8	1				
16		1544-123-005-00	ROD	1				
17		V411-260-006-00	WASHER / M6	1				
18		V500-162-002-00	PIN, SPLIT/2 X20	1				
19		1432-616-002-00	RUBBER, CUSHION	1				
20		1480-122-001-10	YORK, CLUTCH	1				
21		1544-123-003-00	BOLT/M8X20	1				
21A		V211-560-802-50	BOLT, SEMS/M8X25 7T	1				
22		V590-131-015-00	WIRE/1.0X150	1				
23		1575-123-230-00	SHAFT, YOKE	1				
24		1415-125-025-00	SPRING, TENSION/41	1				
25		V762-150-000-00	NIPPLE, GREASE/B-MGF	2				

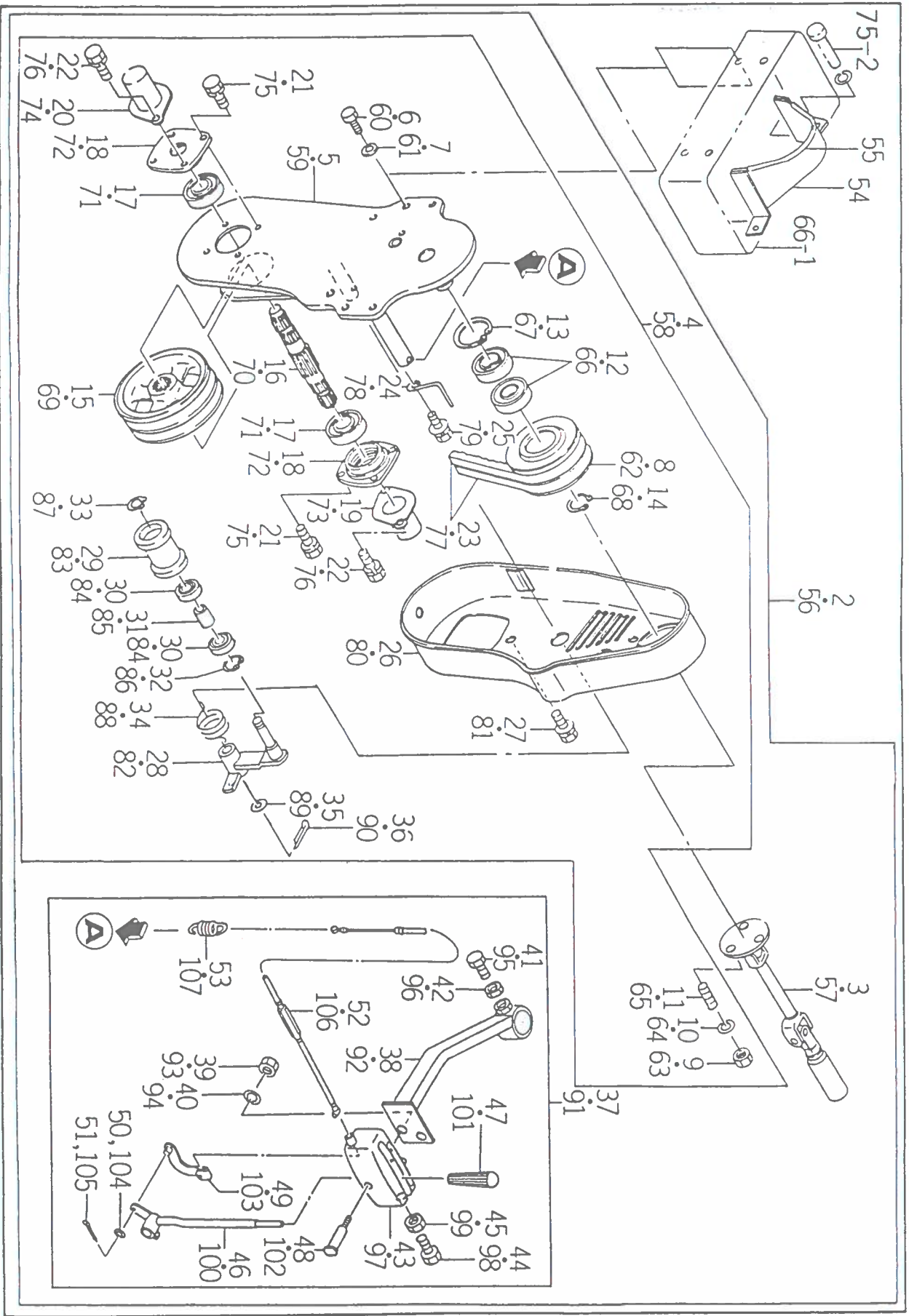
TU318FE



EE
 EE22445555666666666666666666666666666666
 2212121122125566BBEEEEE224444555566
 12 TT 1212EE24M566EE2EEEEE22412112211212
 22212212222445122 GG TT
 22 GG 12 2122 S
 C

KEY#	S P C	C H G	PART CODE	DESCRIPTION	Q T Y	I T C	S C	FROM	UPTO	REMARKS
1			1600-130-310-00	PTO, FRONT/A20 SET	1	1	****			
2			1600-130-200-00	PTO, FRONT/A SET	1	2	****			
3			1600-130-220-00	JOINT, UNIVERSAL ASSY	1	3	****			
4			1427-130-240-1*	PTO, FRONT/A ASSY	1	4	****			
5			1427-130-240-1* 0	BRACKET, PTO MIRROR BLACK	1	4	****			
6			V201-261-202-50	BOLT/M12X25	4	4	****			
7			V401-160-012-00	WASHER, SP/M12	4	4	****			
8			1600-130-001-00	PULLEY/V2B099	1	4	****			
9			V304-460-010-00	NUT/M10	3	4	****			
10			V401-160-010-00	WASHER, SP/M10	3	4	****			
11			V251-391-002-80	BOLT/M10X28	3	4	****			
12			1600-130-003-00	BEARING, RB62052RDC3	2	4	****			
13			V705-140-052-00	RING, SNAP/52 C	1	4	****			
14			V704-140-025-00	RING, SNAP/25 C	1	4	****			
15			1427-130-222-1* 0	PULLEY, V/137 MIRROR BLACK	1	4	****			
16			1427-130-223-00	SHAFT, PTO/DN	1	4	****			
17			1600-130-003-00	BEARING, RB62052RDC3	2	4	****			
18			1427-130-224-0*	METAL, PTO SHAFT	2	4	****			
19			1427-130-260-0*	MIRROR BLACK CAP, SHAFT(A)COMP	1	4	****			
20			1427-130-270-0*	MIRROR BLACK CAP, SHAFT(B)COMP	1	4	****			
21			V211-260-802-00	MIRROR BLACK BOLT, SEMS (S)	4	4	****			
22			V211-260-802-50	BOLT/S	4	4	****			
23			1600-130-002-00	BERT/VB044	2	4	****			
24			1427-130-225-00	STOPPER, BELT	2	4	****			
25			V211-360-801-60	BOLT, SEMS (SP)	2	4	****			
26			1427-130-280-0*	COVER, PTO CASE MIRROR BLACK	1	4	****			
27			V211-361-001-60	BOLT, SP/M10X16	2	4	****			
28			1600-130-290-00	ARM, TENSION COMP	1	4	****			
29			1329-202-001-1* 0	PULLEY, TENSION LIGHT GRAY	1	4	****			
30			1600-130-004-00	BEARING, RB62052RDC3	2	4	****			
31			1329-202-003-0* 0	COLLAR, TENSION LIGHT GRAY	1	4	****			
32			V705-140-032-00	RING, SNAP/32 C	1	4	****			
33			V704-140-012-00	RING, SNAP/12 C	1	4	****			
34			1427-130-226-00	SPRING, TORQUE/32	1	4	****			
35			1427-601-003-00	WASHER/15X24X2	1	4	****			
36			V500-153-002-50	PIN, SPLIT/3 X25	1	4	****			

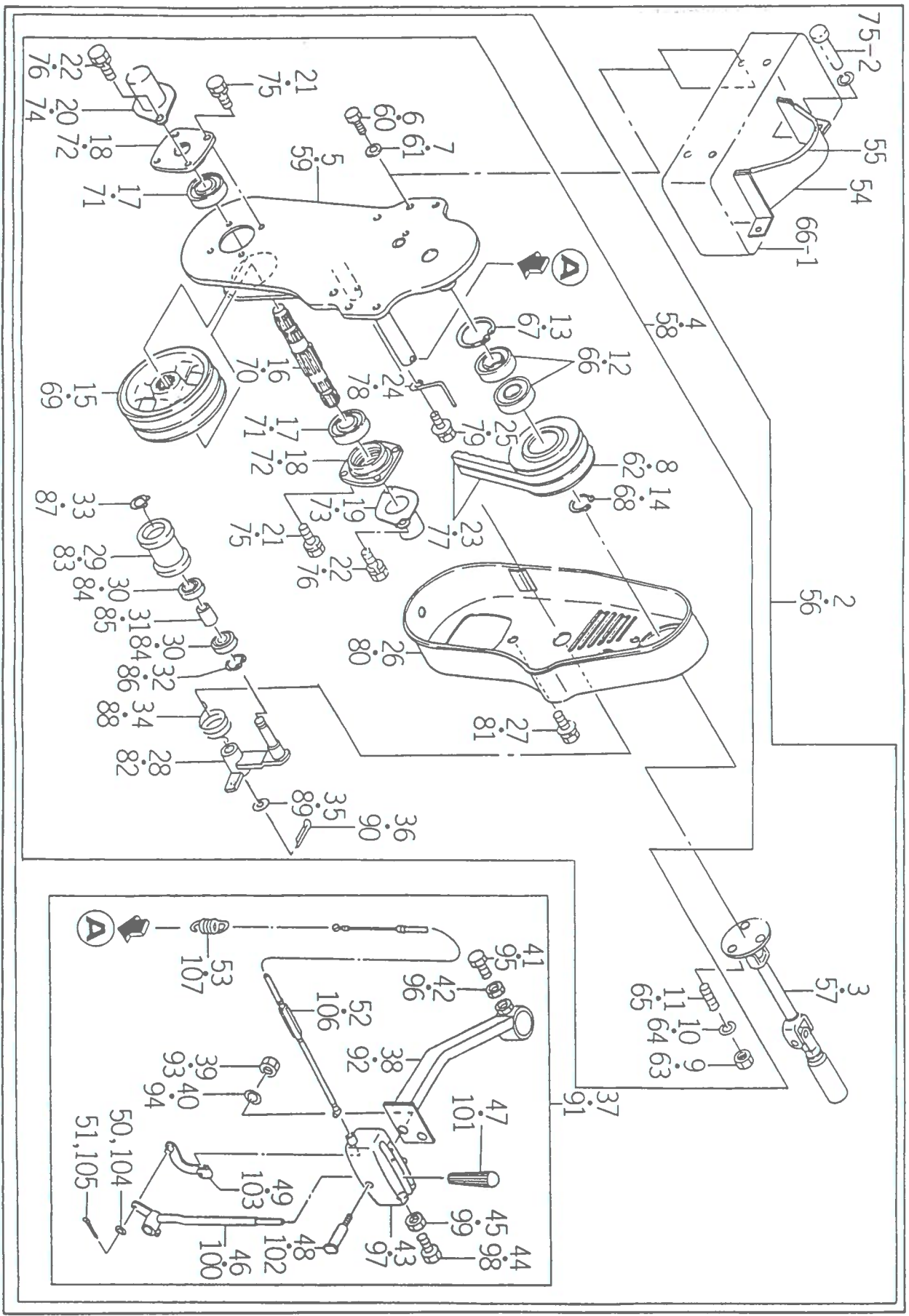
TU318FE



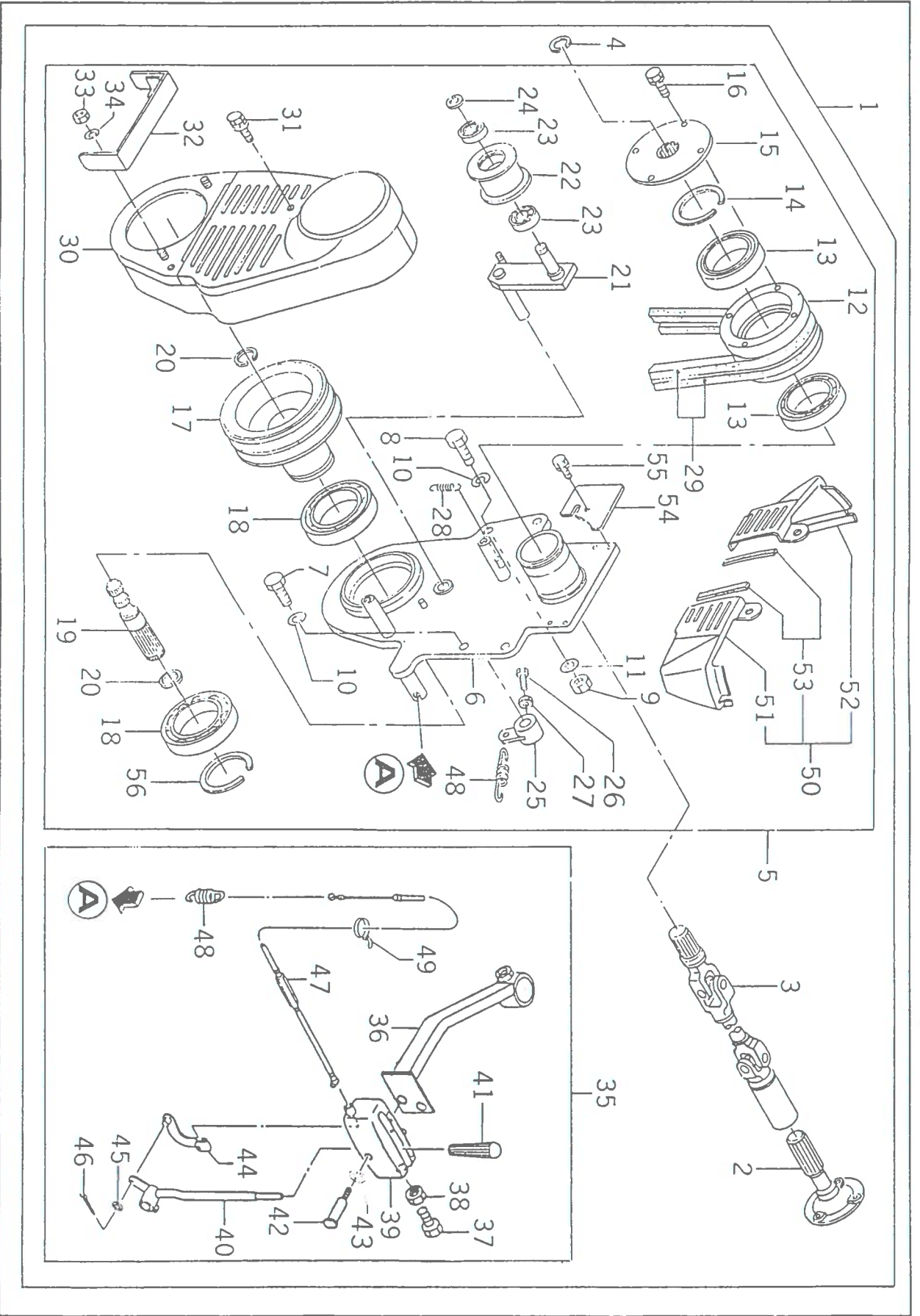
BBB
 EE2244555566
 2212121122125566
 12 TT 1212EE244566EE2EE22412112211212 G G TT
 222122122222445122 S
 22 GG 12 2122 S
 C GG

KEY#	S P C	C H G	PART CODE	DESCRIPTION	Q T Y	I T T Y C	S C	FROM	UPTO	REMARKS
37			1600-130-240-00	LEVER, CLUTCH/PTO ASSY	1	3				
38			1600-130-250-00	STAY, CLUTCH COMP	1	4				
39			V304-260-010-00	NUT	2	4				
40			V401-160-010-00	WASHER, SP/M10	2	4				
41			V201-261-003-00	BOLT/M10X30	1	4				
42			V305-260-010-00	NUT/M10	1	4				
43			1600-130-260-00	CASE, CLUTCH COMP	1	4				
44			V201-261-003-00	BOLT/M10X30	1	4				
45			V305-260-010-00	NUT/M10	1	4				
46			1600-130-270-00	LEVER, CLUTCH COMP	1	4				
47			2101-230-001-00	KNOB	1	4				
48			1422-180-331-00	PIN, LEVER	1	4				
49			1600-130-280-00	TENSIONER, WIRE COMP	1	4				
50			V411-260-008-00	WASHER, PL/M 8	1	4				
51			V500-152-501-50	PIN, SPLIT/2.5X15	1	4				
52			1509-130-005-00	WIRE, PTO CLUTCH	1	4				
53			1422-180-332-00	SPRING, TENSION/70	1	4				
54			1600-130-300-00	COVER, JOINT COMP	1	2				
55			1349-601-002-00	RUBBER, COVER	1	2				
56			1600-130-200-00	PTO, FRONT/A SET	1	1				
57			1600-130-220-00	JOINT, UNIVERSAL ASSY	1	2				
58			PTO, FRONT/A ASSY		1	A				
59			1427-130-240-1*	BRACKET, PTO MIRROR BLACK	1	3				
60			V201-261-202-50	BOLT/M12X25	4	3				
61			V401-160-012-00	WASHER, SP/M12	4	3				
62			1600-130-001-00	PULLEY/V2B099	1	3				
63			V304-460-010-00	NUT/M10	3	3				
64			V401-160-010-00	WASHER, SP/M10	3	3				
65			V251-391-002-80	BOLT/M10X28	3	3				
66			1600-130-003-00	BEARING, RB62052RDC3	2	3				
67			V705-140-052-00	RING, SNAP/52 C	1	3				
68			V704-140-025-00	RING, SNAP/25 C	1	3				
69			1427-130-222-1*	PULLEY, V/137 MIRROR BLACK	1	3				
70			1427-130-223-00	SHAFT, PTO/DN	1	3				
71			1600-130-003-00	BEARING, RB62052RDC3	2	3				
72			1427-130-224-0*	METAL, PTO SHAFT MIRROR BLACK	2	3				
73			1427-130-260-0*	CAP, SHAFT(A) COMP	1	3				
74			1427-130-270-0*	MIRROR BLACK CAP, SHAFT(B) COMP	1	3				
75			V211-260-802-00	MIRROR BLACK BOLT, SEMS (S)	4	3				
76			V211-260-802-50	BOLT/S	4	3				

TU318FE

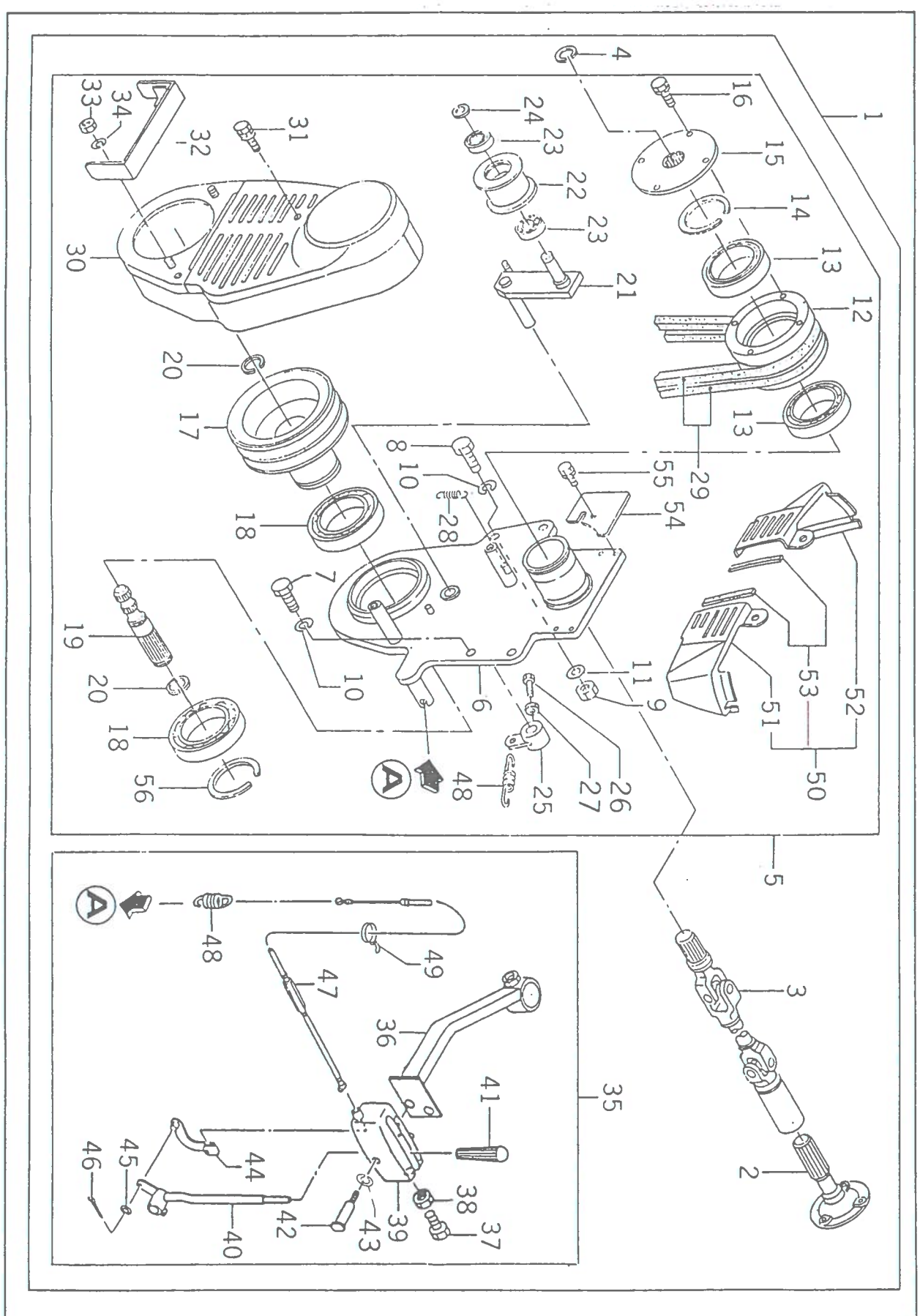


TU318FE



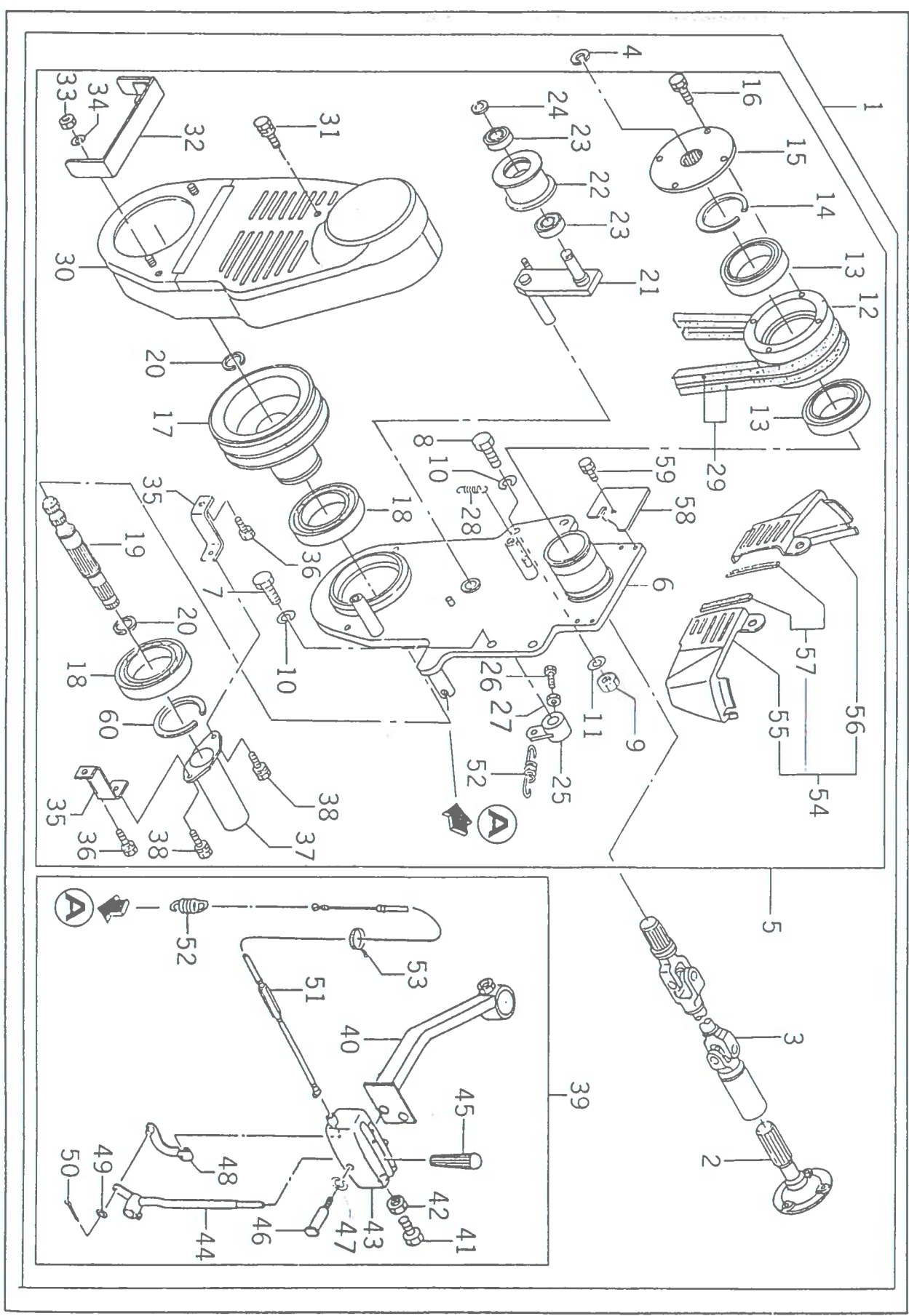
KEY#	S P C	P H C	PART CODE	DESCRIPTION	Q T Y	I T C	S T C	*****				REMARKS
								T	F	FROM	UPTO	
1			1600-135-300-00	PTO, FRONT/B	1	1	*****	*****	*****	*****	*****	
2			1600-135-310-00	JOINT	1	2	*****	*****	*****	*****	*****	
3			1600-135-200-00	JOINT, UNIVERSAL	1	3	*****	*****	*****	*****	*****	
4			V704-140-025-00	RING, SNAP/25 C	1	3	*****	*****	*****	*****	*****	
5			1600-135-320-00	PTO, FRONT/B	1	2	*****	*****	*****	*****	*****	
6			1600-135-210-00	BRACKET, PTO/B	1	3	*****	*****	*****	*****	*****	
7			V201-261-204-00	BOLT/M12X40	3	3	*****	*****	*****	*****	*****	
8			V201-261-203-50	BOLT/M12X35	1	3	*****	*****	*****	*****	*****	
9			V303-260-012-00	NUT/M12	1	3	*****	*****	*****	*****	*****	
10			V401-160-012-00	WASHER, SP/M12	4	3	*****	*****	*****	*****	*****	
11			V411-260-012-00	WASHER /M12	1	3	*****	*****	*****	*****	*****	
12			1600-135-001-00	PULLEY/V2B109	1	3	*****	*****	*****	*****	*****	
13			1600-135-004-00	BEARING, RB	2	3	*****	*****	*****	*****	*****	
14			V704-140-060-00	RING, SNAP/60 C	1	3	*****	*****	*****	*****	*****	
15			1600-135-250-00	FRANGE	1	3	*****	*****	*****	*****	*****	
16			V211-260-802-00	BOLT, SEMS/M8X20	4	3	*****	*****	*****	*****	*****	
17			1600-135-002-00	PULLEY/V2B141	1	3	*****	*****	*****	*****	*****	
18			1600-135-006-00	BEARING, RB	2	3	*****	*****	*****	*****	*****	
19			1600-135-005-00	SHAFT, PTO	1	3	*****	*****	*****	*****	*****	
20			V704-140-030-00	RING, SNAP/30 C	2	3	*****	*****	*****	*****	*****	
21			1600-135-230-00	ARM, TENSION	1	3	*****	*****	*****	*****	*****	
22			1600-135-003-00	PULLEY/FT052X037	1	3	*****	*****	*****	*****	*****	
23			1603-130-003-00	BEARING, RB	2	3	*****	*****	*****	*****	*****	
24			V704-140-015-00	RING, SNAP/15 C	1	3	*****	*****	*****	*****	*****	
25			1600-135-240-00	ARM	1	3	*****	*****	*****	*****	*****	
26			1404-502-013-00	BOLT/M8X25	1	3	*****	*****	*****	*****	*****	
27			V304-260-008-00	NUT/M 8	1	3	*****	*****	*****	*****	*****	
28			1422-181-038-00	SPRING, TENSION	1	3	*****	*****	*****	*****	*****	
29			1600-135-290-00	BELT/VB038X2	1	3	*****	*****	*****	*****	*****	
30			1600-135-220-00	CASE, PTO/B	1	3	*****	*****	*****	*****	*****	
31			V211-261-001-60	BOLT, SP/M10X16	2	3	*****	*****	*****	*****	*****	
32			1600-135-280-00	CAVER, SEALED	1	3	*****	*****	*****	*****	*****	
33			V303-260-008-00	NUT/M 8	2	3	*****	*****	*****	*****	*****	
34			V401-160-008-00	WASHER, SP/M 8	2	3	*****	*****	*****	*****	*****	
35			1600-135-330-00	LEVER, CLUTCH/PTO/ASSY	1	2	*****	*****	*****	*****	*****	
36			1600-130-250-00	STAY, CLUTCH	1	3	*****	*****	*****	*****	*****	
37			V201-261-003-00	BOLT/M10X30	1	3	*****	*****	*****	*****	*****	
38			V305-260-010-00	NUT/M10	1	3	*****	*****	*****	*****	*****	
39			1600-130-260-00	CASE, CLUTCH	1	3	*****	*****	*****	*****	*****	
40			1600-130-270-00	LEVER, CLUTCH	1	3	*****	*****	*****	*****	*****	
41			2101-230-001-00	KNOB	1	3	*****	*****	*****	*****	*****	
42			1422-180-331-00	PIN, LEVER	1	3	*****	*****	*****	*****	*****	
43			V401-160-010-00	WASHER, SP/M10	2	3	*****	*****	*****	*****	*****	
44			1600-130-280-00	TENSIONER, WIRE	1	3	*****	*****	*****	*****	*****	
45			V411-260-008-00	WASHER, PL/M 8	1	3	*****	*****	*****	*****	*****	

TU3187E

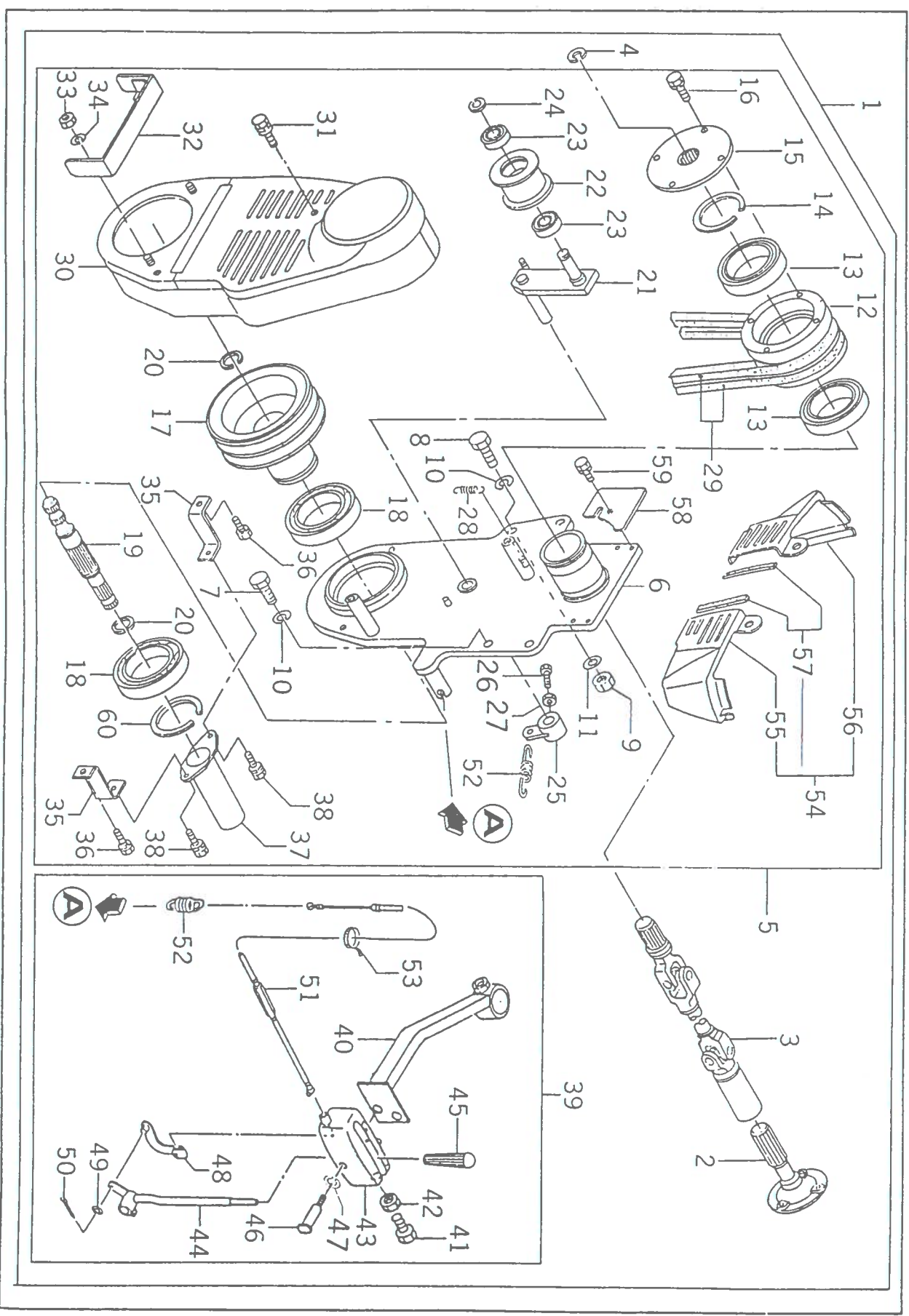


KEY#	S P C	C P H C	PART CODE	DESCRIPTION	Q T Y	I T C	S C	BBEEEEEE EE2244555566 22121211221 12	TTTT TT	EEEEEE 221221222 22GG	HHHHHH 1222445566 GG	MMMMMM 2222445566 GG	UUUUUU 2222445566 GG	TTTT TT	UUUUUU 2222445566 GG	FROM	UPTO	REMARKS
46			V500-152-501-50	PIN,SPLIT/2.5X15	1	3		BBEEEEEE	TTTT	EEEEEE	HHHHHH	MMMMMM	UUUUUU	TTTT	UUUUUU			
47			1600-135-007-00	WIRE,CLUTCH/PTO	1	3		EE2244555566	TTTT	EEEEEE	HHHHHH	MMMMMM	UUUUUU	TTTT	UUUUUU			
48			1422-180-332-00	SPRING,TENSION/70	1	3		22121211221	TTTT	EEEEEE	HHHHHH	MMMMMM	UUUUUU	TTTT	UUUUUU			
49			1376-402-003-00	BAND,WIRE/140	2	3		12	TTTT	EEEEEE	HHHHHH	MMMMMM	UUUUUU	TTTT	UUUUUU			
50			1600-135-340-00	COVER,FRONT/LH	1	2			TTTT	EEEEEE	HHHHHH	MMMMMM	UUUUUU	TTTT	UUUUUU			
51			1600-135-260-00	COVER,FRONT/RH	1	3			TTTT	EEEEEE	HHHHHH	MMMMMM	UUUUUU	TTTT	UUUUUU			
52			1600-135-270-00	COVER,FRONT/RH	1	3			TTTT	EEEEEE	HHHHHH	MMMMMM	UUUUUU	TTTT	UUUUUU			
53			1365-601-104-00	RUBBER	2	3			TTTT	EEEEEE	HHHHHH	MMMMMM	UUUUUU	TTTT	UUUUUU			
54			1600-135-008-00	COVER	2	3			TTTT	EEEEEE	HHHHHH	MMMMMM	UUUUUU	TTTT	UUUUUU			
55			V210-260-601-20	BOLT,SEMS/MGX12	4	3			TTTT	EEEEEE	HHHHHH	MMMMMM	UUUUUU	TTTT	UUUUUU			
56			V704-140-060-00	RING,SNAP/60 C	1	3			TTTT	EEEEEE	HHHHHH	MMMMMM	UUUUUU	TTTT	UUUUUU			

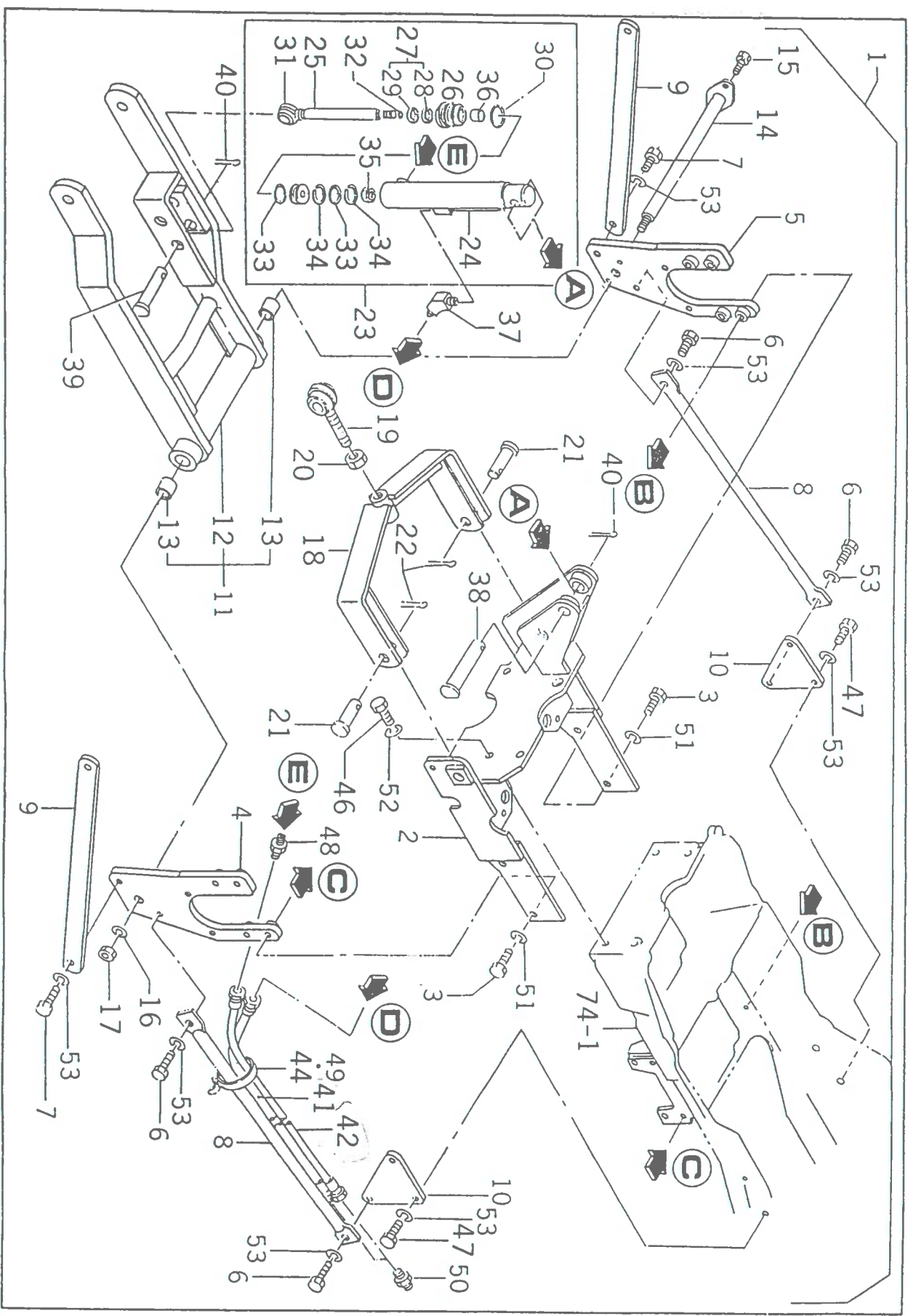
TU318FE



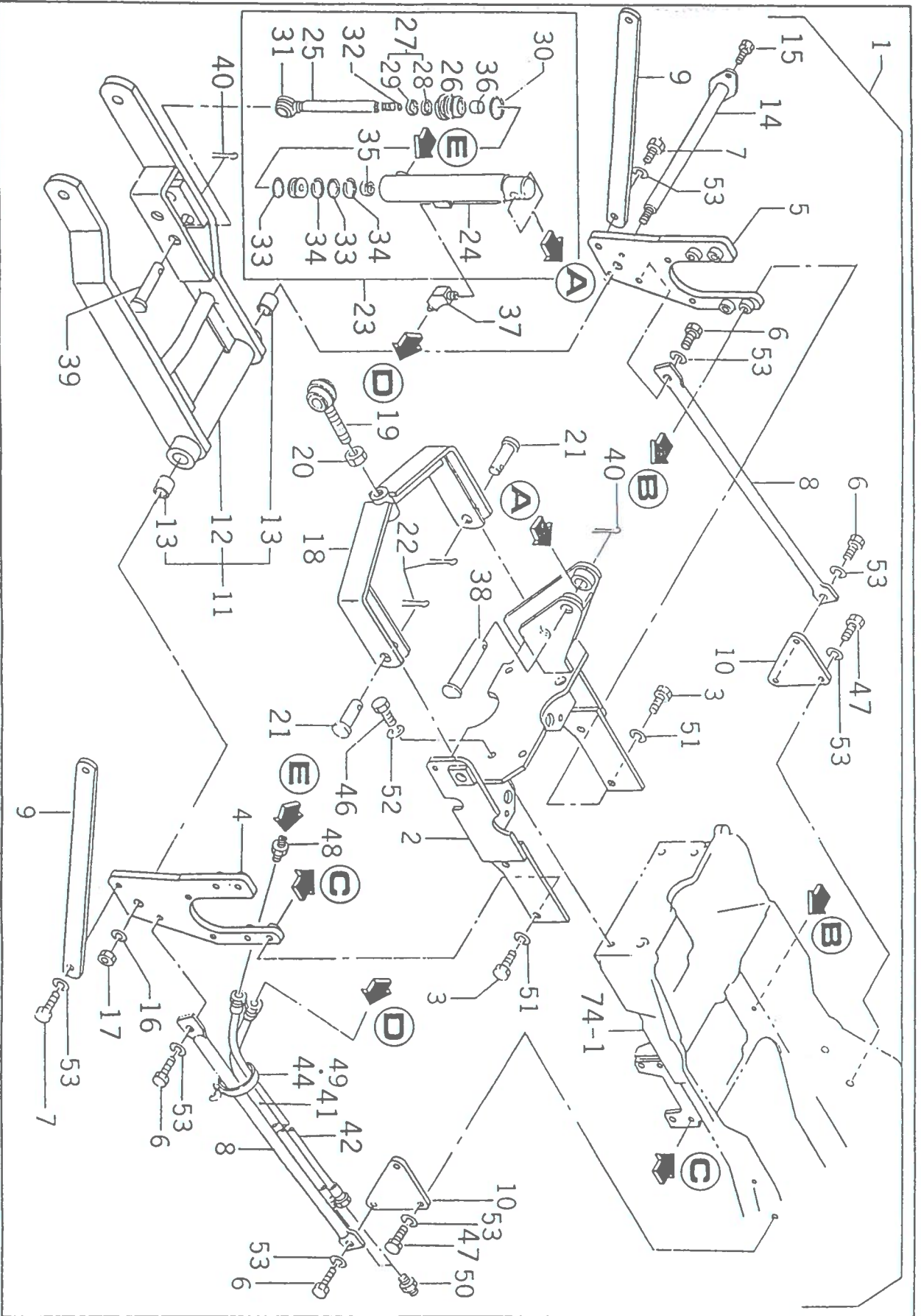
TU318FE



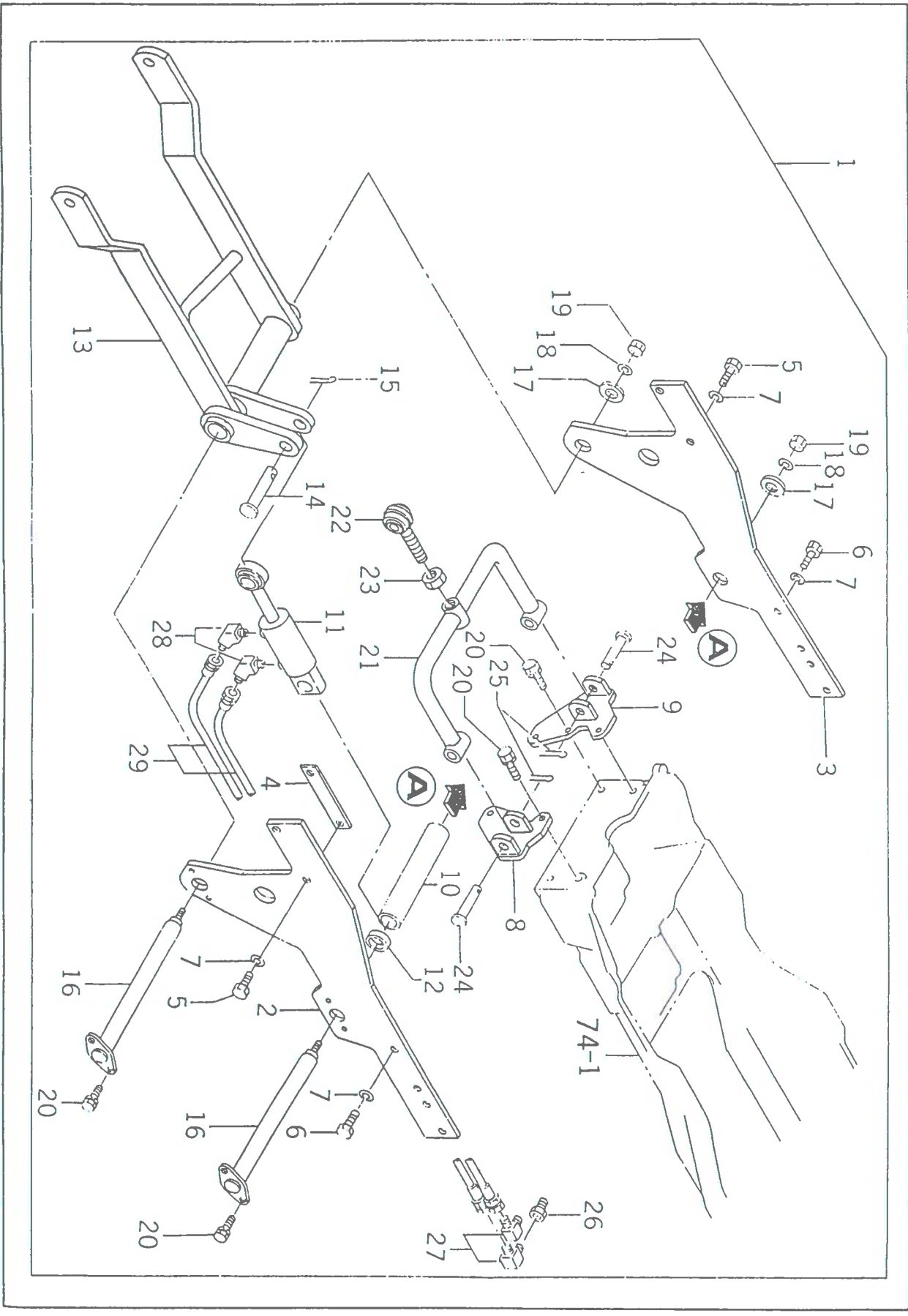
TU318FE



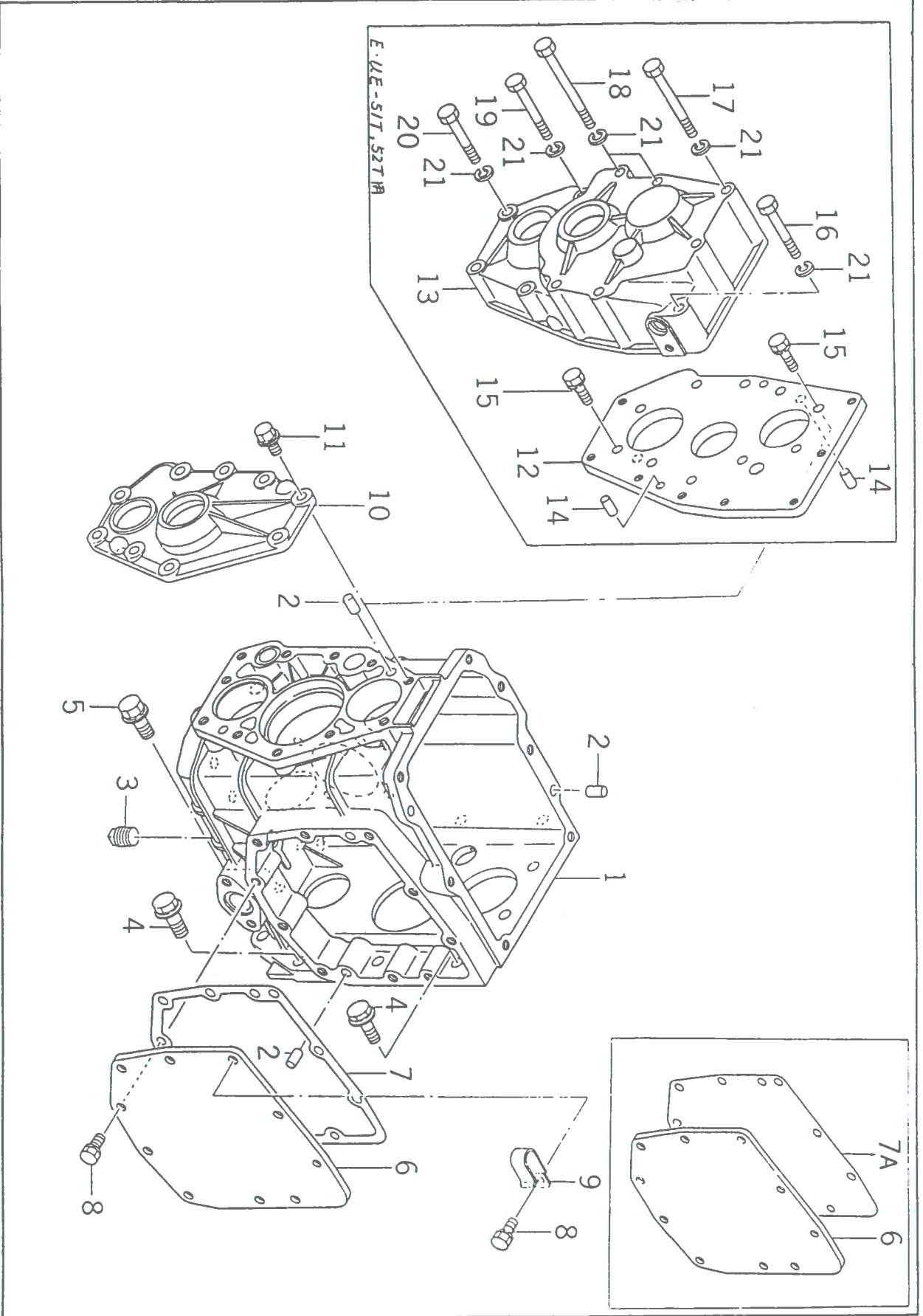
TU318FE



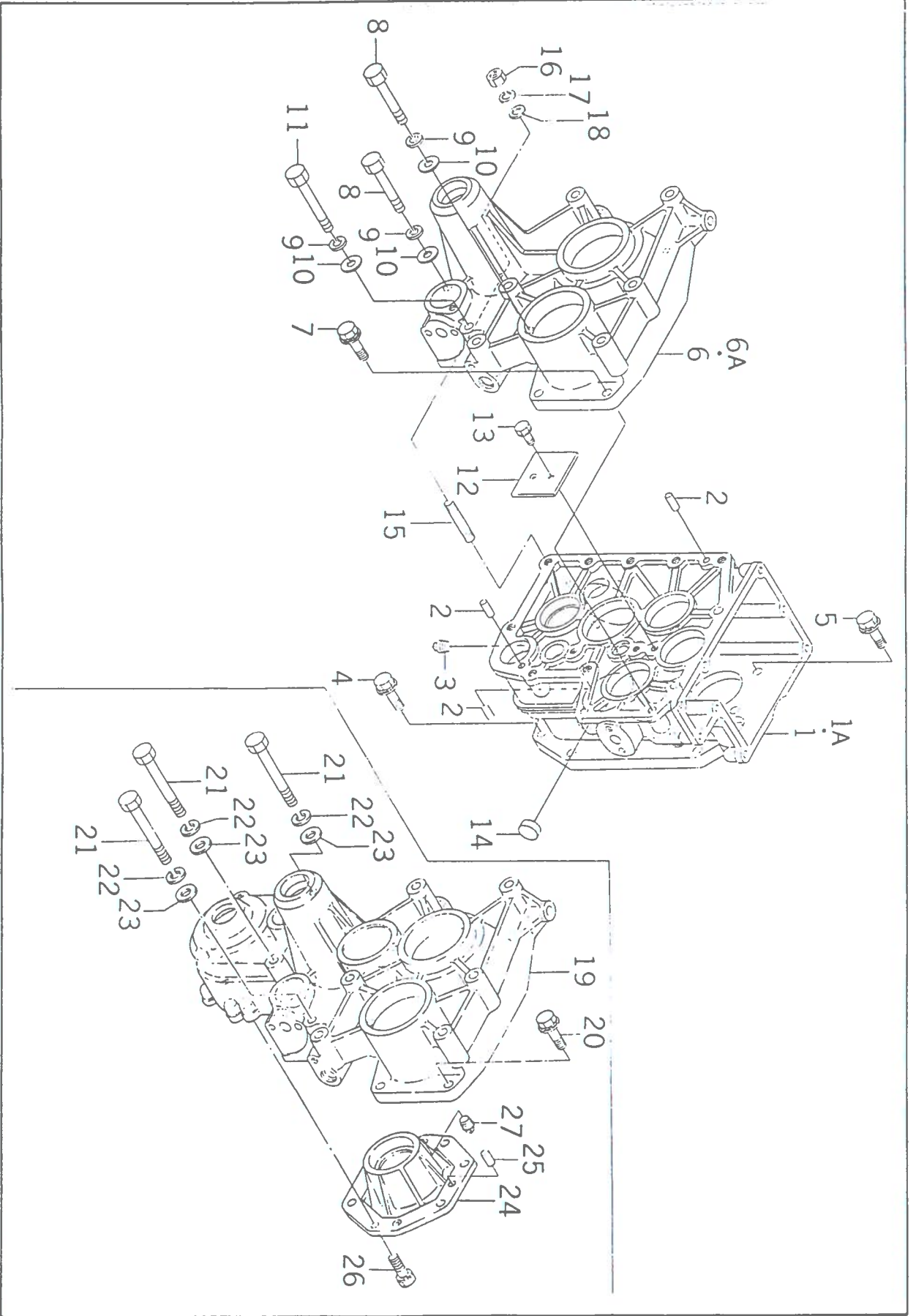
TU318FE



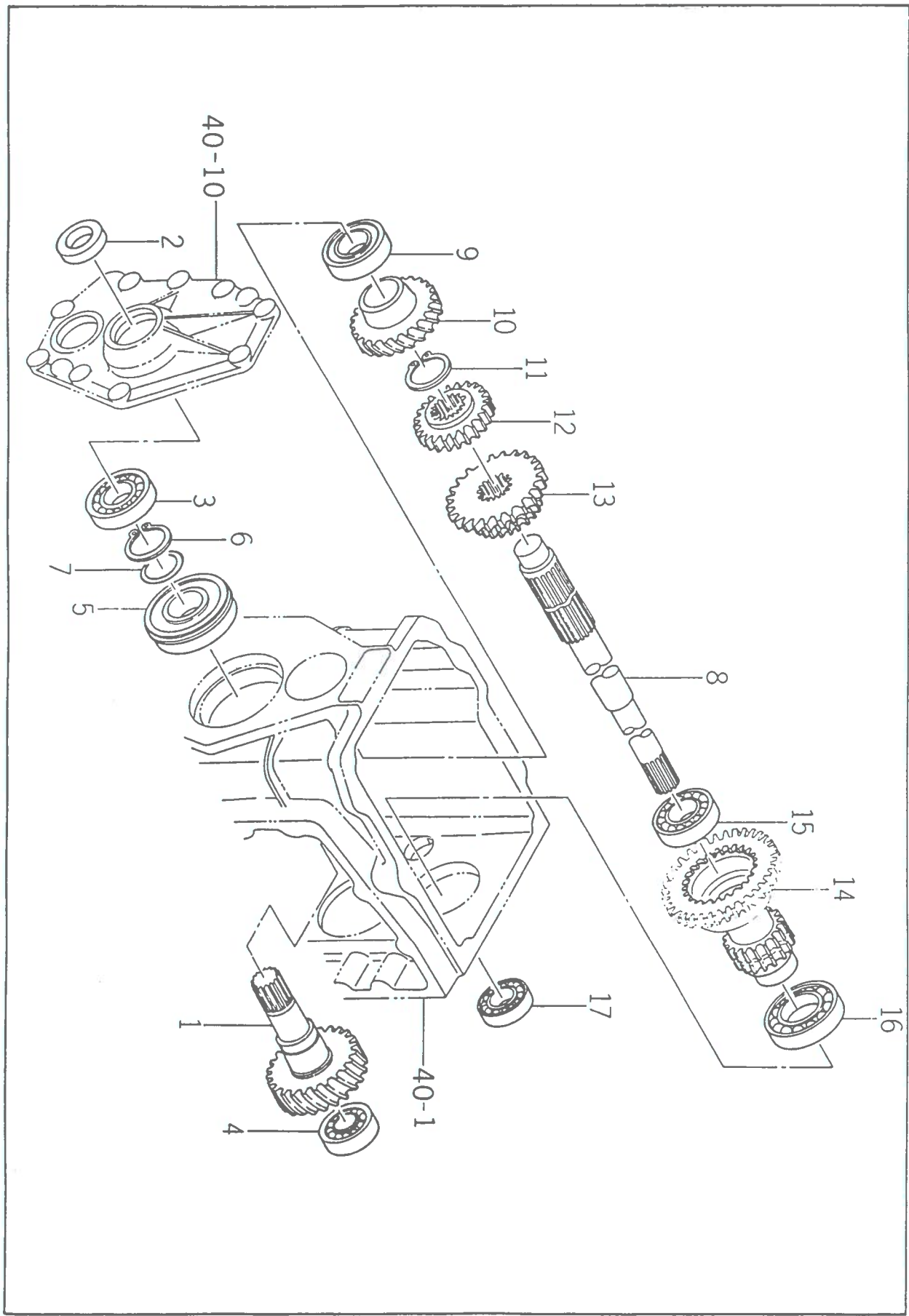
TU318FE



TU318FE



TU318FE



TU318F

FIG #

42

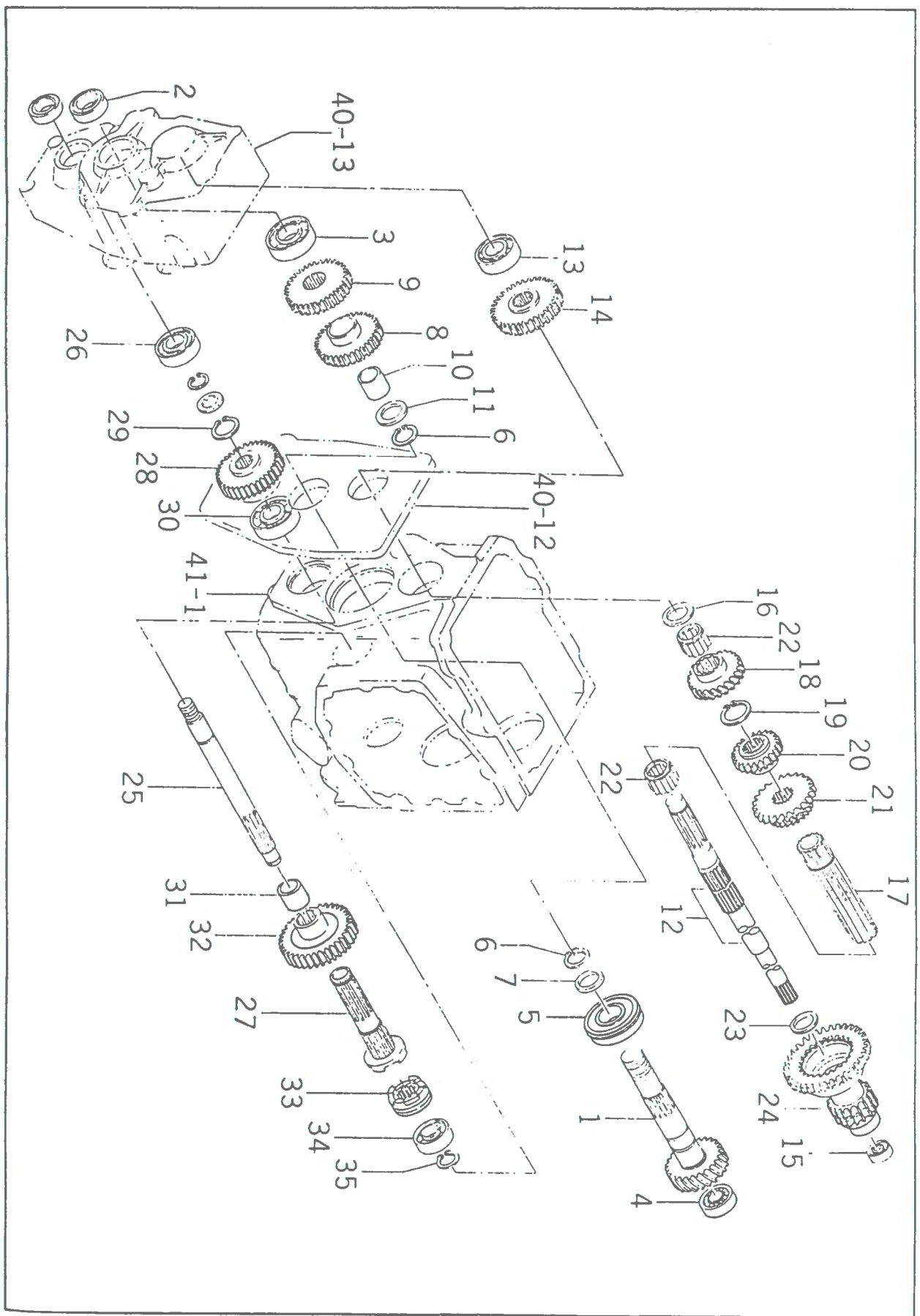
P. 94

BBB
 EE224455556666778899001122334455667788990011223344556677889900
 2212121122125566778899001122334455667788990011223344556677889900
 12 T T 1212EE244566EE2EEEEE22412112211212 G G T T
 22122122222445122 G G T T
 22 GG 12 2122 S
 C GG

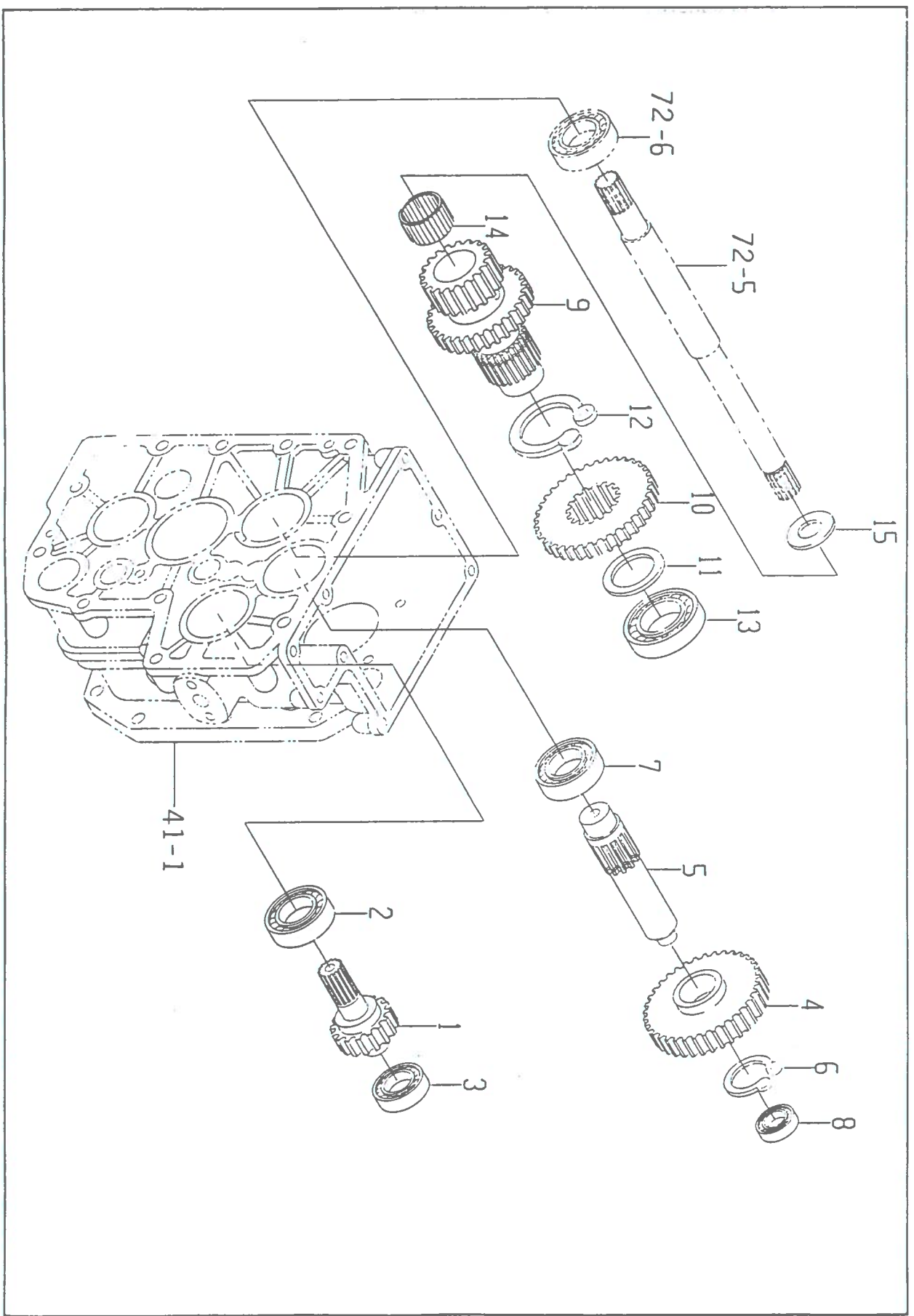
KEY#	S P C	C H G	PART CODE	DESCRIPTION	Q I S T T T Y C C	FROM	UPTO	REMARKS
1			1602-203-002-00	GEAR/27T	1			
2			V744-125-400-80	SEAL OIL/TC25408	1			
3			V600-110-620-50	BEARING.RB/6205	1			
4			V600-110-620-40	BEARING.RB/6204	1			
5			V544-207-003-00	BEARING.RB	1			
6			V704-140-030-00	RING SNAP/30 C	1			
7			1602-203-003-00	COLLAR/30X40X5	1			
8			1544-205-001-00	SHAFT.CHANGE	1			
9			1594-221-001-00	BEARING.RB	1			
10			1602-205-006-00	GEAR/27T	1			
11			V704-140-030-00	RING SNAP/30 C	1			
12			1602-205-002-00	GEAR/22T	1			
13			1602-205-003-00	GEAR/33-24T	1			
14			1602-205-004-00	GEAR/40-18-19T	1			
15			V600-110-620-50	BEARING.RB/6205	1			
16			V600-110-600-70	BEARING.RB/6007	1			
17			V600-110-620-40	BEARING.RB/6204	1			

TU318FE

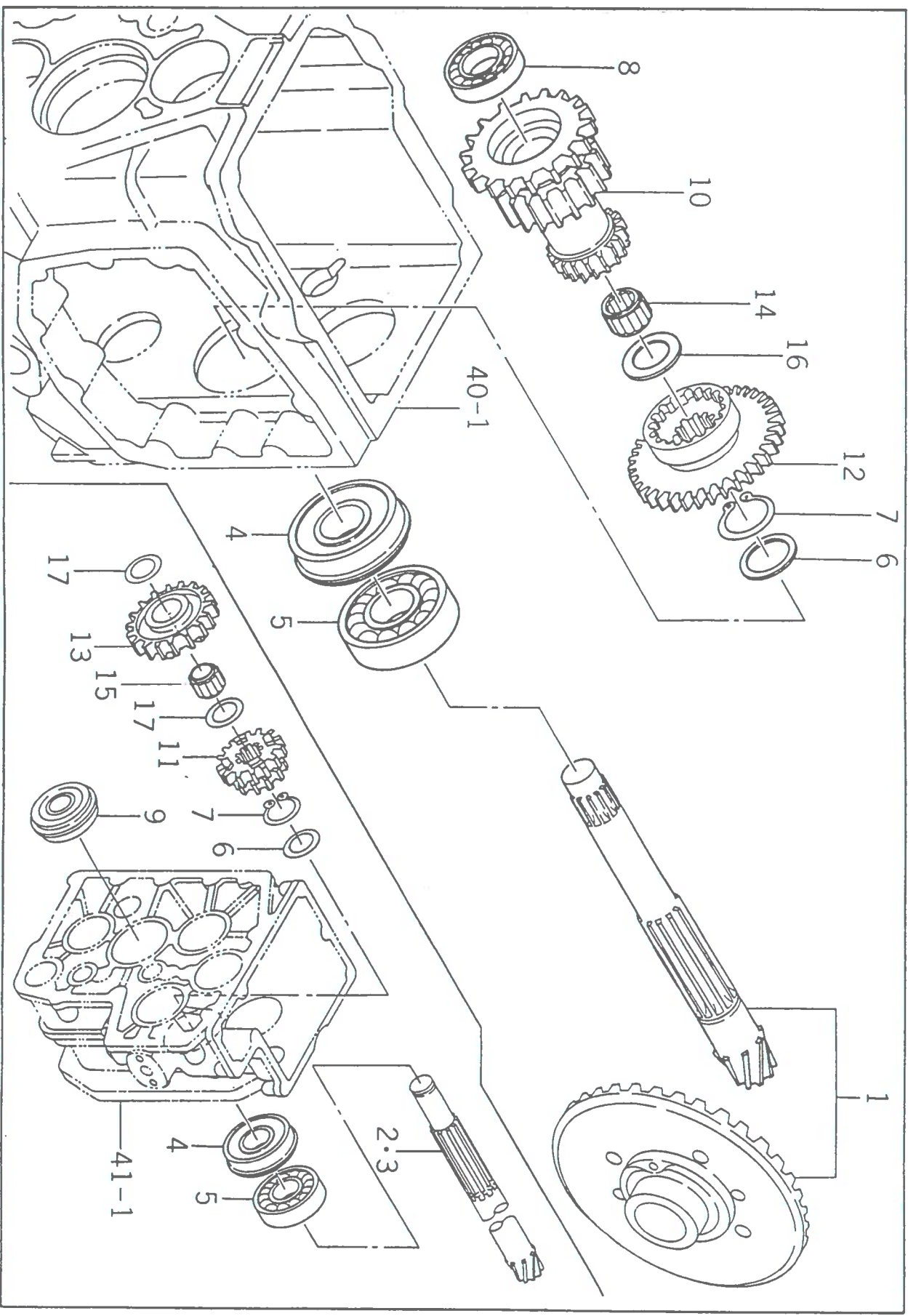
(Glands)



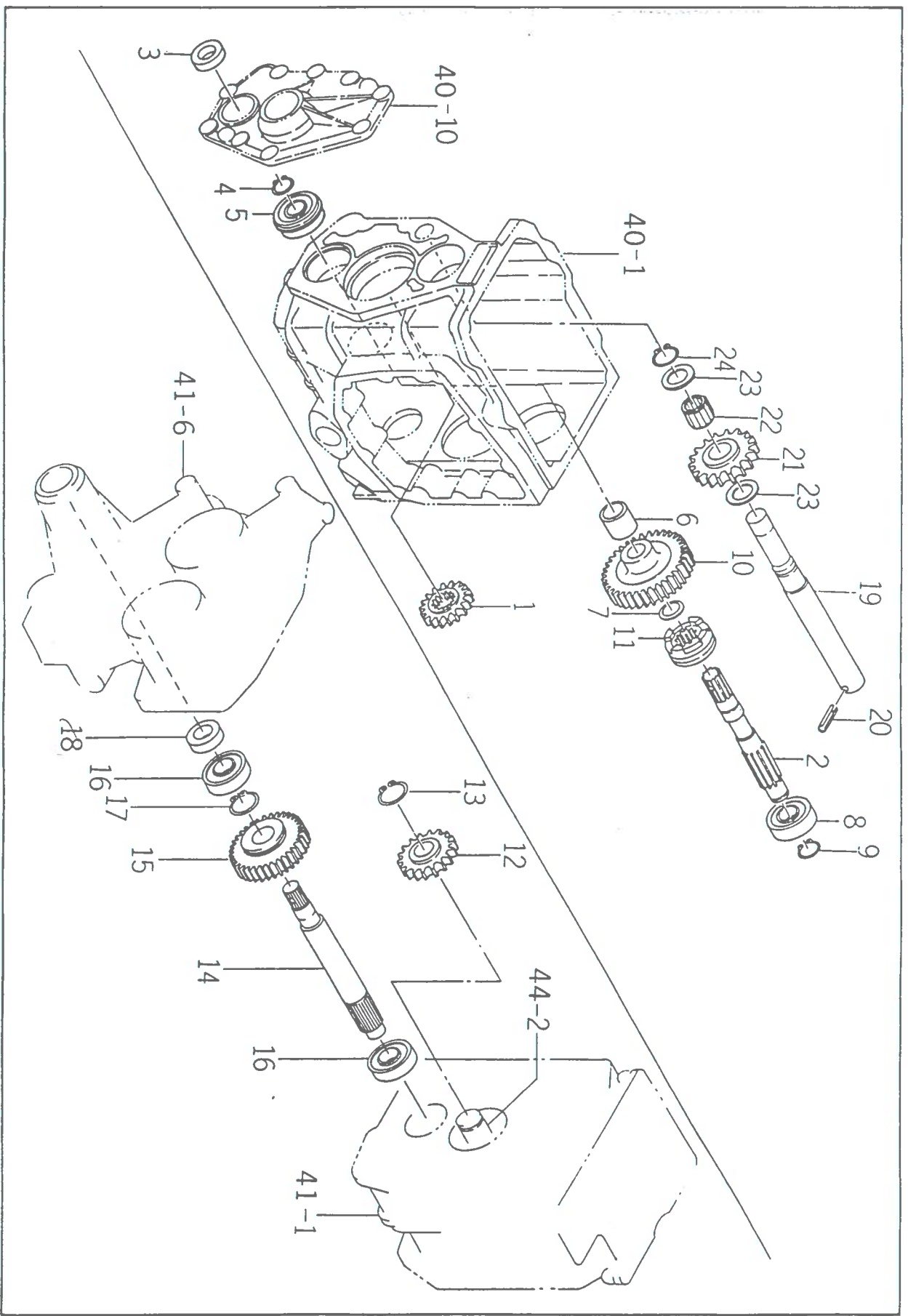
TU318FE



TU318FE



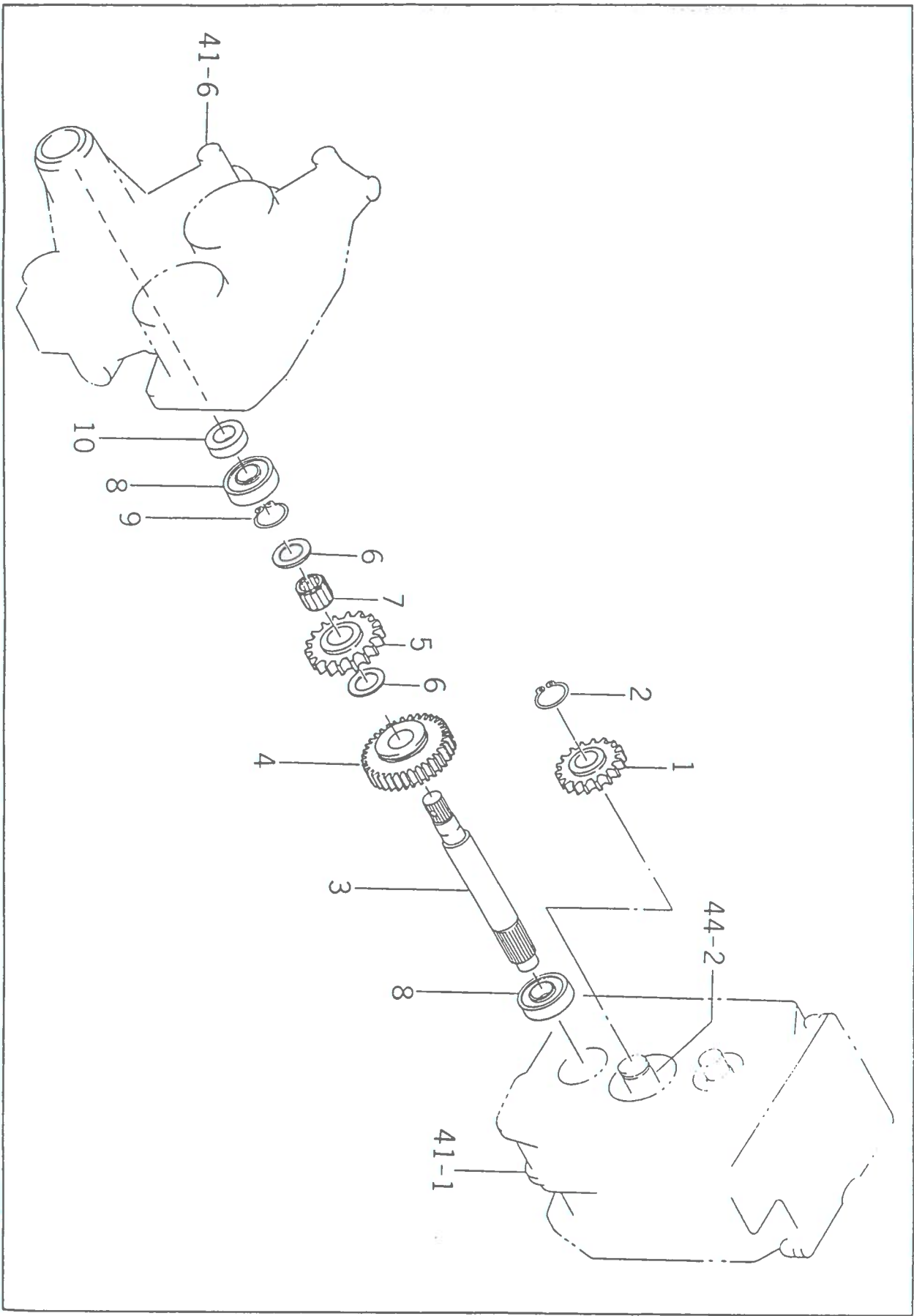
TU318FE



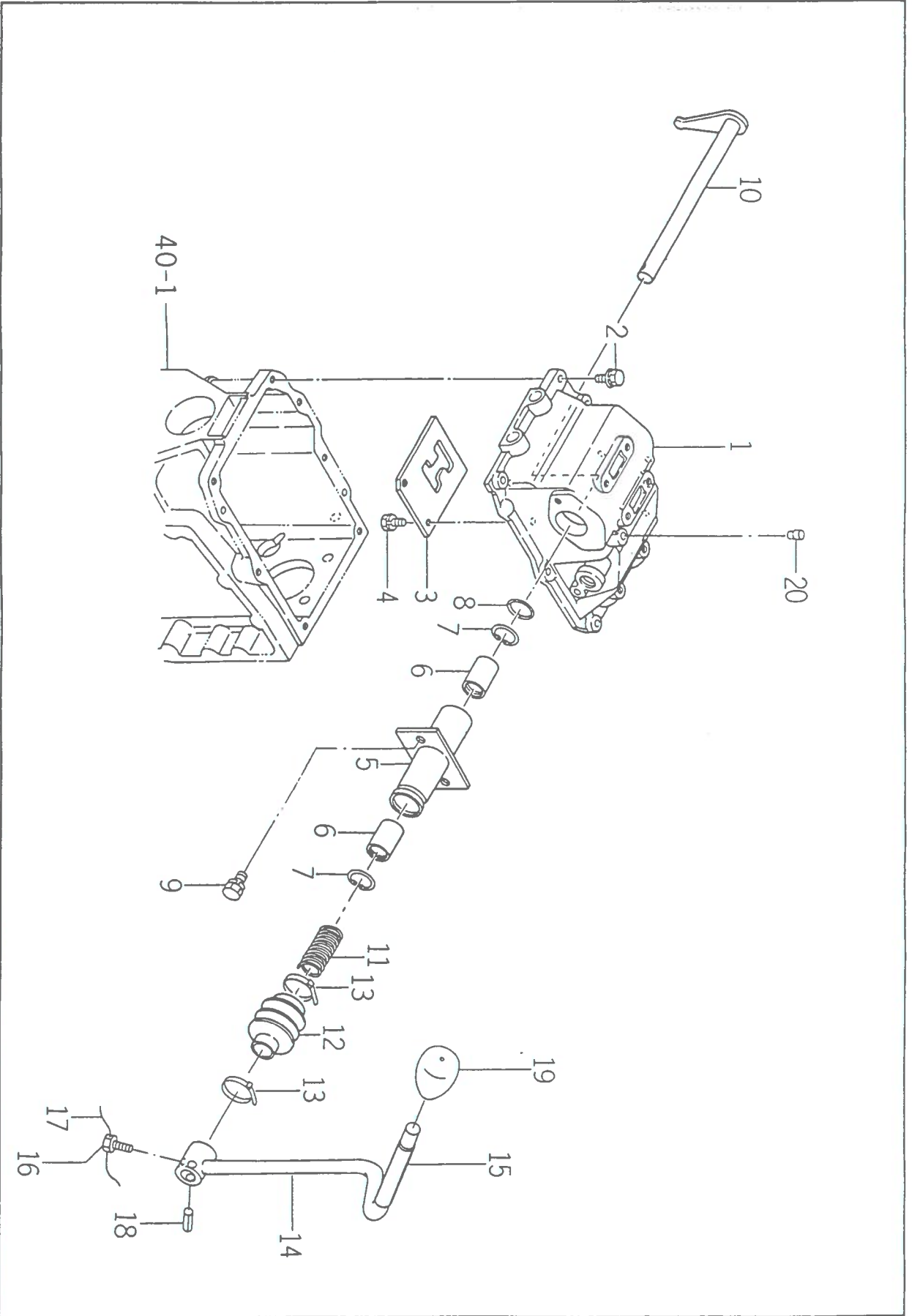
EE
 EE2244555566EEEEUU
 2212121122125566BBEEEEUU
 12 T T 1212EE244566EE2EE22445122 G G T T
 22 GG 12 2122 S
 C GG

KEY#	S C P H C G	PART CODE	DESCRIPTION	Q T Y C	I T C	S T C	FROM	UPTD	REMARKS
1		1547-208-001-00	GEAR, FRONT CHANGE/23	1					
2		1544-208-002-00	SHAFT, FRONT DRIVE	1					
3		V744-120-350-80	SEAL, OIL/TC20358	1					
4		V704-140-020-00	RING, SNAP/20 C	1					
5		V607-110-620-40	BEARING, RR/6204NR	1					
6		1575-208-001-00	COLLAR/21X27X25	1					
7		1544-208-004-00	COLLAR, THROST20X28X2	1					
8		V600-110-620-40	BEARING, RR/6204	1					
9		V704-140-020-00	RING, SNAP/20 C	1					
10		1550-208-001-00	GEAR, COUNTER/33T	1					
11		1544-208-005-00	CAM, FRONT CHANGE	1					
12		1602-208-051-00	GEAR/22T	1					
13		V704-140-025-00	RING, SNAP/25 C	1					
14		1602-208-052-00	SHAFT, DRIVE/FRONT	1					
15		1602-208-053-00	GEAR/35T	1					
16		V600-110-620-40	BEARING, RR/6204	2					
17		V704-140-025-00	RING, SNAP/25 C	1					
18		V744-120-350-80	SEAL, OIL/TC20358	1					
19		1544-209-001-20	PIN, PAILKING, GEAR	1					
20		V580-140-601-60	PIN, SPLIT W. 6.0X16	1					
21		1602-209-001-00	GEAR/28T	1					
22		V654-422-272-00	BEARING, NR/KT222720	1					
23		1427-204-003-10	COLLAR/22X34X2	2					
24		V704-140-022-00	RING, SNAP/22 C	1					

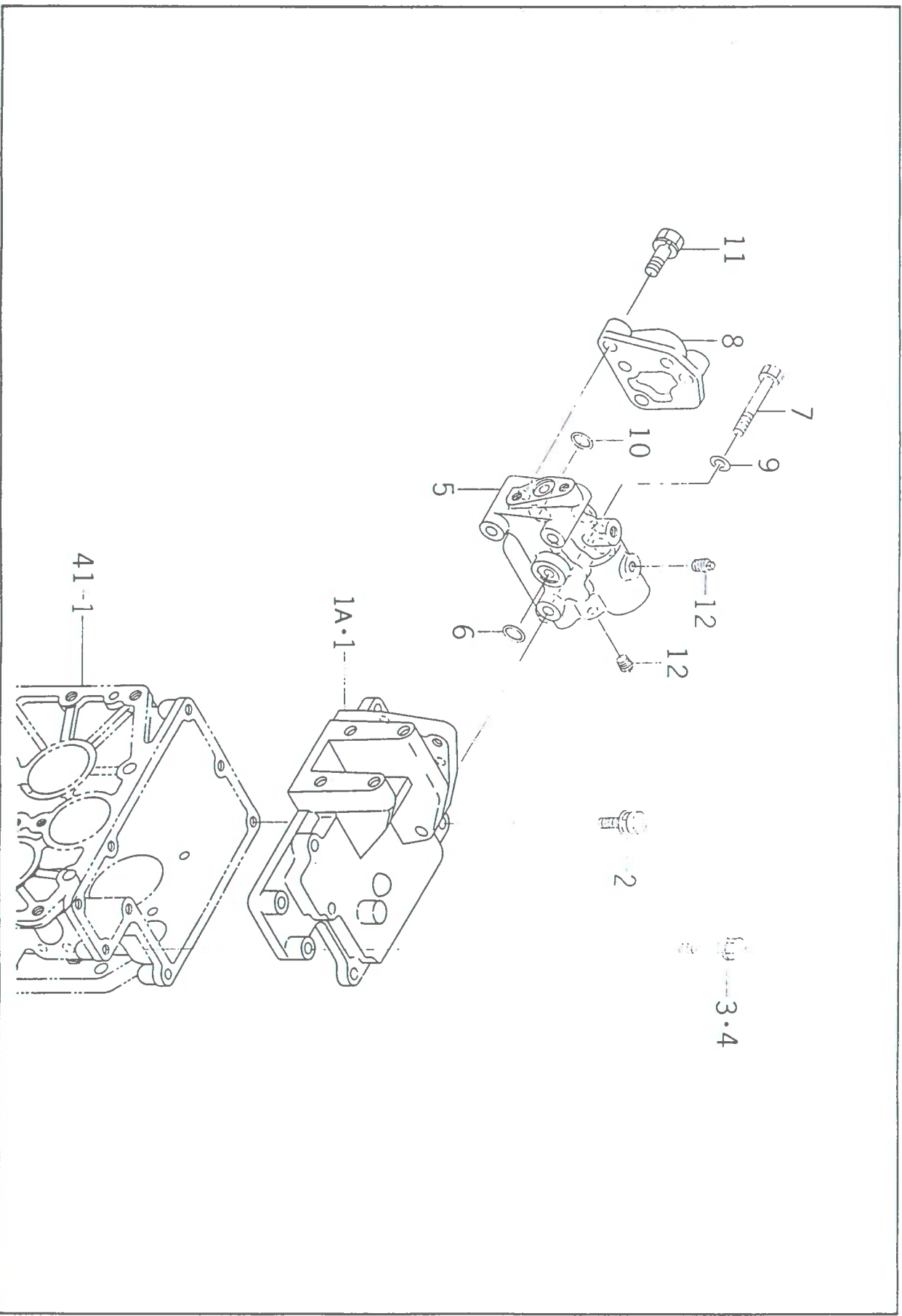
TU318FE



TU318FE



TU318FE

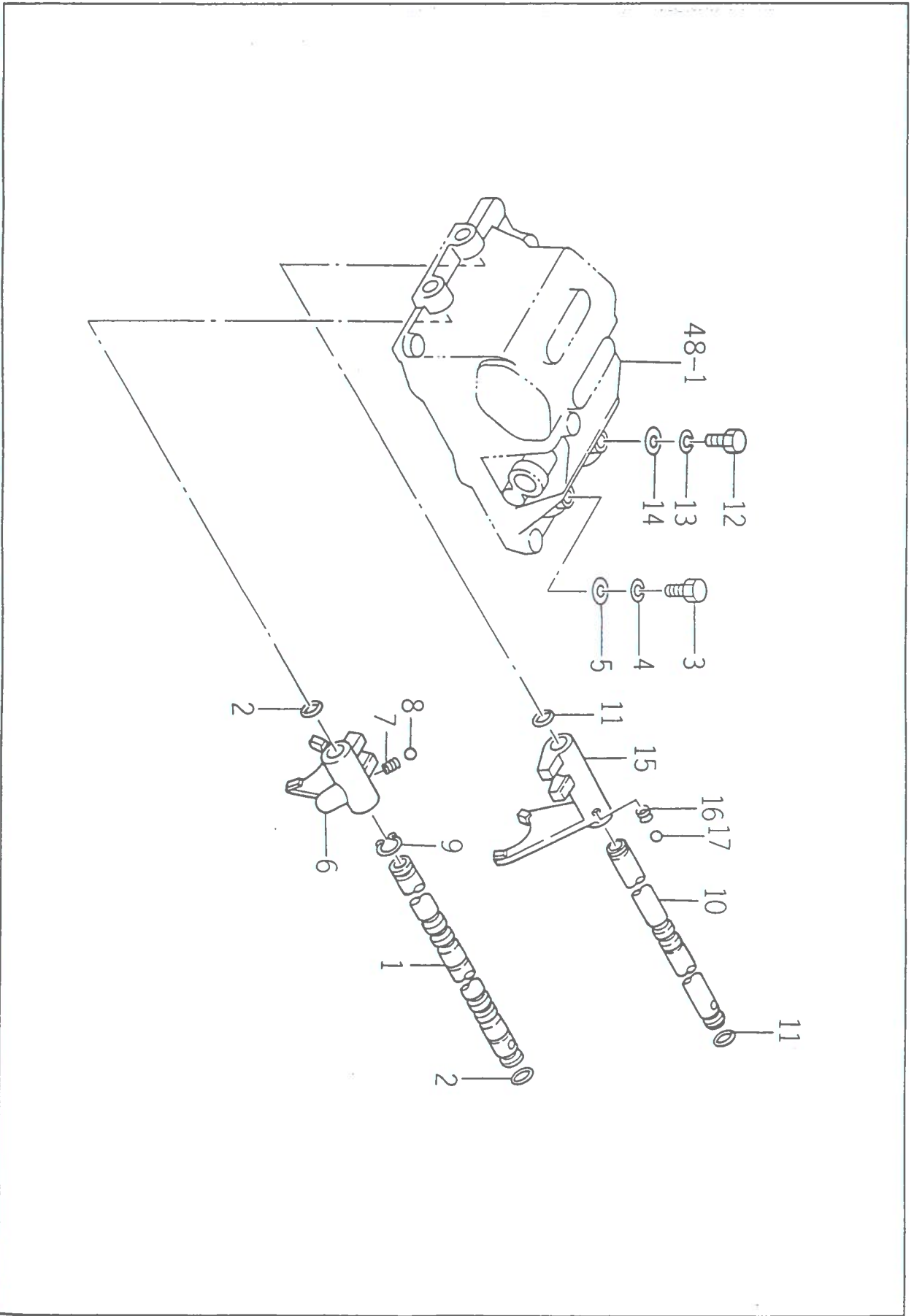


```

BBBBBBBBBBBBBBBBBBBBBBBBBBBBBBBBBBBBBBBBBBBBBBBBBBBBBBBB
EE22445555666677778888999900001111222233334444555566
22121212212556688EEEEE88888888888888888888888888888888
12 TT 1212EE244566EE2EEEEE22412112211212 G G TT
      22 GG 12 2122 S
      C GG
  
```

KEY#	S C P H C G	PART CODE	DESCRIPTION	Q T Y	I T C	S C	FROM	UPTO	REMARKS
1		1602-215-051-00	METAL COVER/HST	1			F	36	
1A		1602-215-051-10	METAL COVER/HST	1			F		
2		V211-360-802-50	BOLT SEMS/M8X25	4			F		
3		V211-360-804-00	BOLT SP/M8X40	4			F		
4		V211-360-804-50	BOLT SP/M8X45	4			F		
5		1602-504-001-00	METAL BYPASS	1			F		
6		V720-112-401-40	O-RING/PI4	1			F		
7		V201-260-806-50	BOLT/M 8X65	3			F		
8		1602-504-002-00	METAL COVER/SUBCON	1			F		
9		V401-160-008-00	WASHER SP/M 8	3			F		
10		V720-112-401-40	O-RING/PI4	3					
11		V211-261-004-00	BOLT/S M10X40	3					
12		V781-100-000-20	PLUG/PT1/8	3					

TU318FE



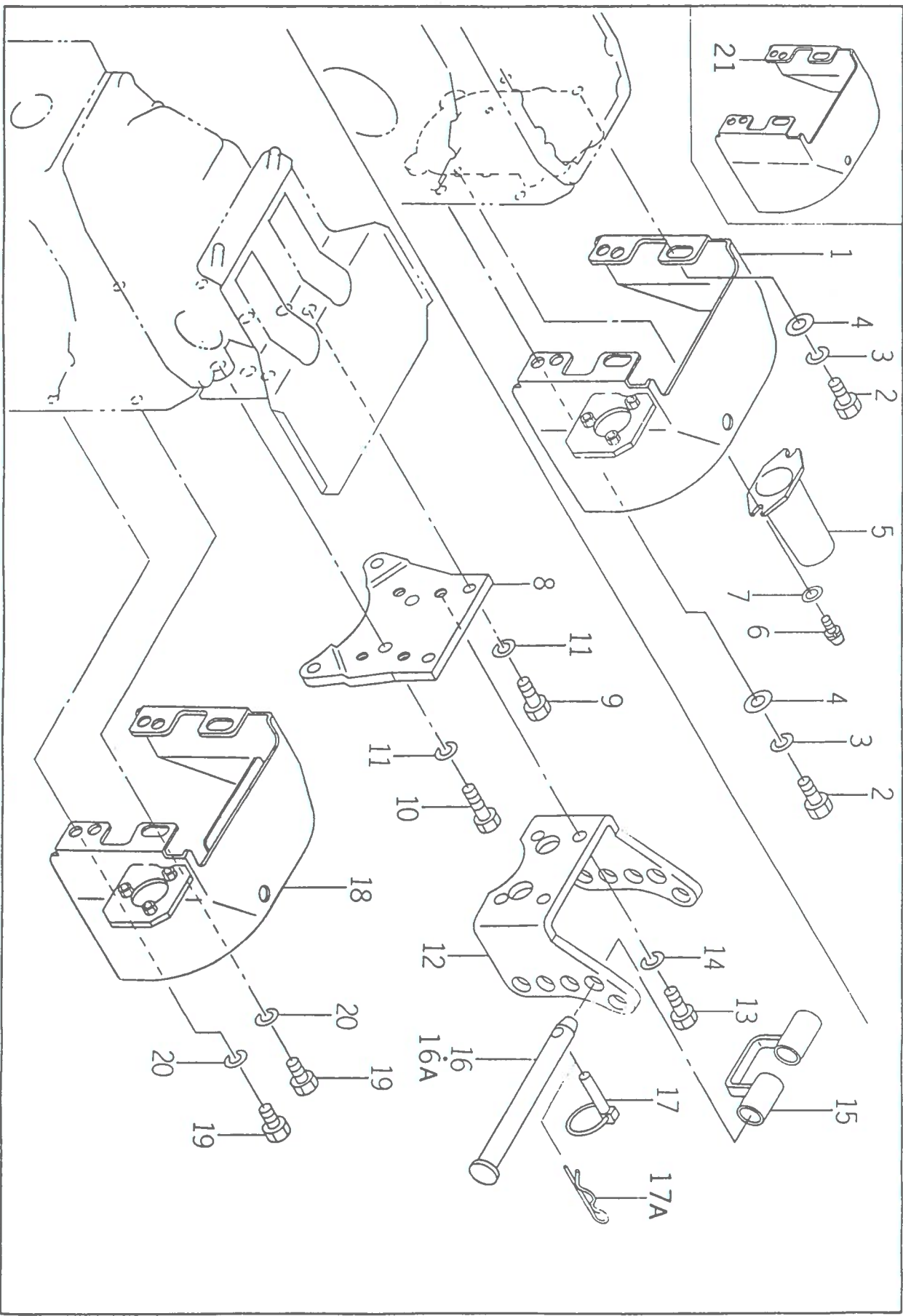
TU318F

FIG # 50

P. 110

KEY#	S C	H C	G	PART CODE	DESCRIPTION	Q T T T T Y C C	Q T T Y C C	FROM	UPTO	REMARKS
1				1602-216-001-00	STAY, SHIFT/1ST	1	000000000000			
2				V720-102-401-00	O-RING/P10A	2	000000000000			
3				1427-210-003-00	BOLT/M8X25	1	000000000000			
4				V401-160-008-00	WASHER, SP/M 8	1	000000000000			
5				V411-260-008-00	WASHER, PL/M 8	1	000000000000			
6				1544-216-002-20	SHIFT, LOW	1	000000000000			
7				1507-307-003-00	SPRING, SHIFTER	1	000000000000			
8				V680-200-001-00	BALL, STEEL/5/16	1	000000000000			
9				V704-140-014-00	RING, SNAP/14 C	2	000000000000			
10				1544-216-003-10	STAY, HIGHT SHIFT	1	000000000000			
11				V720-102-401-00	O-RING/P10A	2	000000000000			
12				1427-210-003-00	BOLT/M8X25	1	000000000000			
13				V401-160-008-00	WASHER, SP/M 8	1	000000000000			
14				V411-260-008-00	WASHER, PL/M 8	1	000000000000			
15				1544-216-004-20	SHIFT, HIGH	1	000000000000			
16				1507-307-003-00	SPRING, SHIFTER	1	000000000000			
17				V680-200-001-00	BALL, STEEL/5/16	1	000000000000			

TU318FE



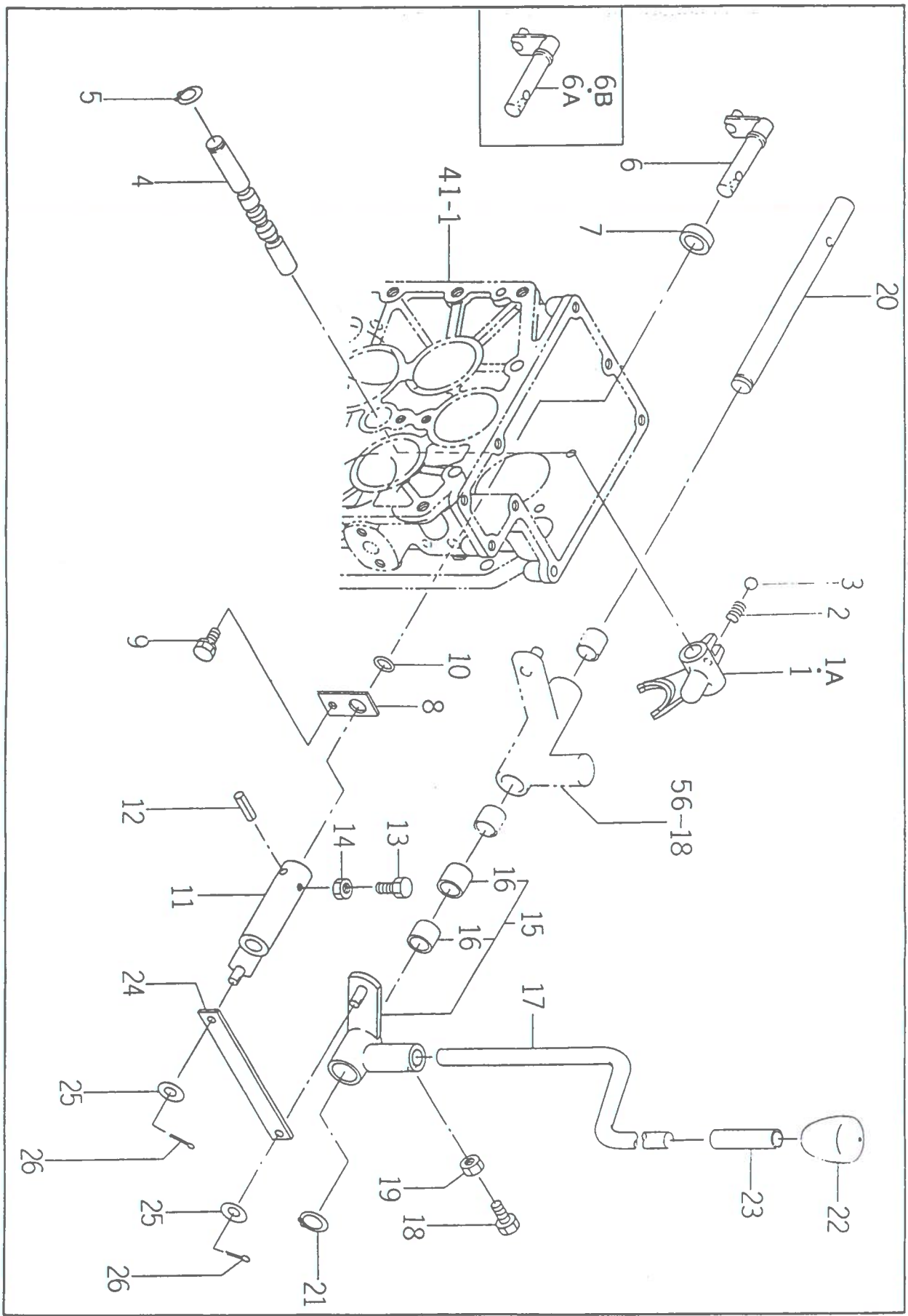
TU318F

FIG # 51

P. 112

KEY#	S P C	C H C	PART CODE	DESCRIPTION	Q T Y	U N I T S	T Y P E	FROM	UPTO	REMARKS
1			1600-218-210-00	COVER, SEALED COMP	1	000000	000000			
2			V201-261-202-00	BOLT/M12X20	4	000000	000000			
3			V401-160-012-00	WASHER, SP/M12	4	000000	000000			
4			V411-260-012-00	WASHER /M12	1	000000	000000			
5			1444-314-009-10	CAP, PTO SHAFT	2	000000	000000			
6			V120-266-001-20	SCREW SEMS #6X12	2	000000	000000			
7			V411-260-006-00	WASHER / M6	1	000000	000000			
8			1602-335-201-00	PLATE	4	000000	000000			
9			V201-361-203-00	BOLT/M12X30	2	000000	000000			
10			V201-361-204-00	BOLT/M12X40	2	000000	000000			
11			V401-160-012-00	WASHER, SP/M12	6	000000	000000			
12			1602-335-001-00	BRACKET	1	000000	000000			
13			V201-361-203-00	BOLT/M12X30	4	000000	000000			
14			V401-160-012-00	WASHER, SP/M12	4	000000	000000			
15			1403-511-500-0*	PLATE, BUSH	1	000000	000000			
16				SCARLET	0					
16A			1431-566-001-00	MIRROR BLACK	2	000000	000000		333	
17			1514-248-002-00	PIN/19X220	2	000000	000000		334	
			1421-502-002-00	PIN, LINK	2	000000	000000		333	
17A			1444-514-005-10	PIN, HAIR/19	2	000000	000000		334	
18			1602-335-210-00	COVER, SEALED/E20COMP	1	000000	000000			
19			V201-261-202-00	BOLT/M12X20	4	000000	000000			
20			V401-160-012-00	WASHER, SP/M12	4	000000	000000			
21			1600-218-211-00	COVER, SEALED	1	000000	000000			

TU318FE



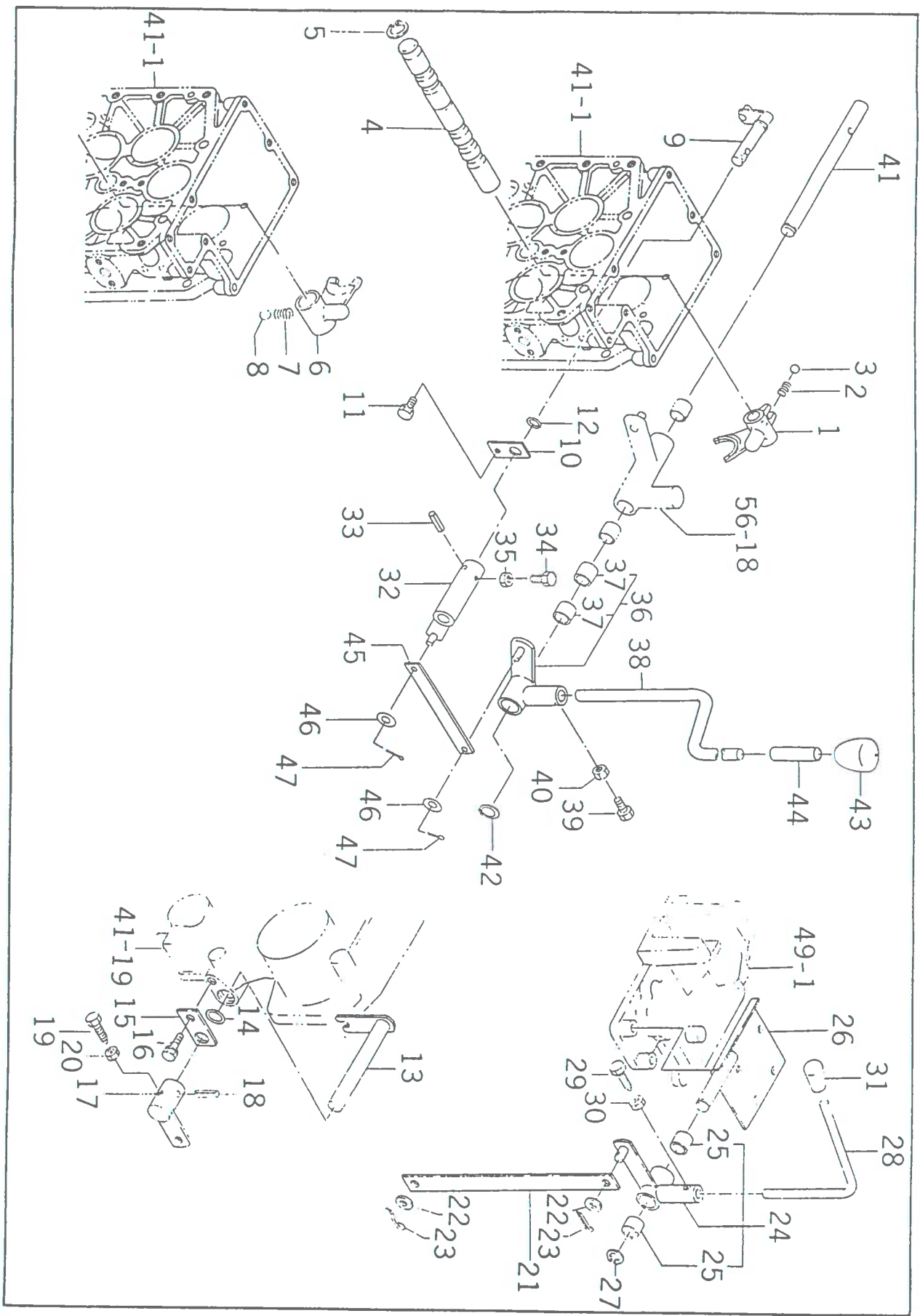
TU318F

FIG # 53

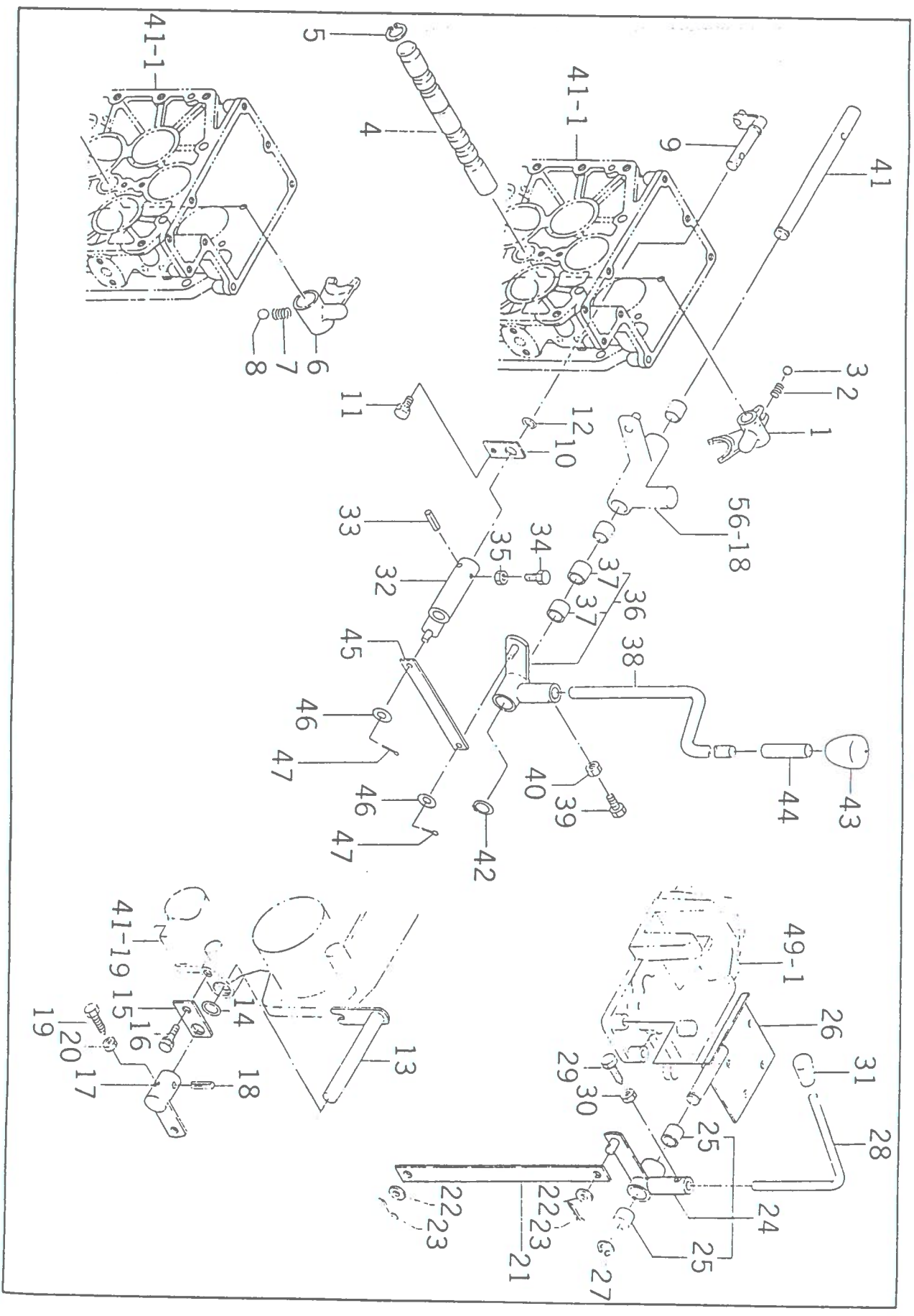
P. 116

KEY#	S P H C	P H C G	PART CODE	DESCRIPTION	Q I S	T T .	Y C C	REMARKS
1			1602-218-051-10	FORK, SHIFT/SUB	1			
1A			1602-218-051-20	FORK, SHIFT/SUB	1			
2			1302-225-003-00	SPRING, SHIFTER	1			
3			V680-200-001-00	BALL, STEEL/5/16	1			
4			1602-218-052-00	STAY, SHIFT/SUB	1			
5			V704-140-014-00	RING, SNAP/14 C	1			
6			1602-218-500-00	ARM, SUB	1			
6A			1602-218-500-10	ARM, SUB	1			
6B			1602-218-500-20	ARM, SUB	1			
7			1602-218-056-00	COLLAR/15X25X10	1			
8			1544-218-002-00	PLATE	1			
9			V211-260-801-60	BOLT, SEMS (S) M8X16	1			
10			V720-102-401-40	O-RING/PI4	1			
11			1600-216-510-00	ARM, PTO COMP	1			
12			V580-140-502-50	PIN, SPRING/5 X25 W	1			
13			1403-209-006-00	ROLT	1			
14			V304-260-008-00	NUT/M 8	1			
15			1602-218-520-00	PIVOT, SHIFT/SUB SET	1			
16			3640-111-001-00	METAL, TENSION ARM	2			
17			1602-218-001-00	LEVER, SUB	1			
18			1403-209-006-00	BOLT	2			
19			V304-260-008-00	NUT/M 8	2			
20			1575-218-002-00	SHAFT, SHIFT	1			
21			V704-140-016-00	RING, SNAP/16 C	1			
22			1544-219-005-00	KNOB, LEVER/12	1			
23			1544-218-005-00	TUBE/60	1			
24			1600-216-051-00	PLATE, I/16X203	1			
25			V411-260-008 00	WASHER, PL/M 8	2			
26			V500-162-002-00	PIN, SPLIT/2 X20	2			

TU318FE



TU318FE



TU318F

FIG #

54

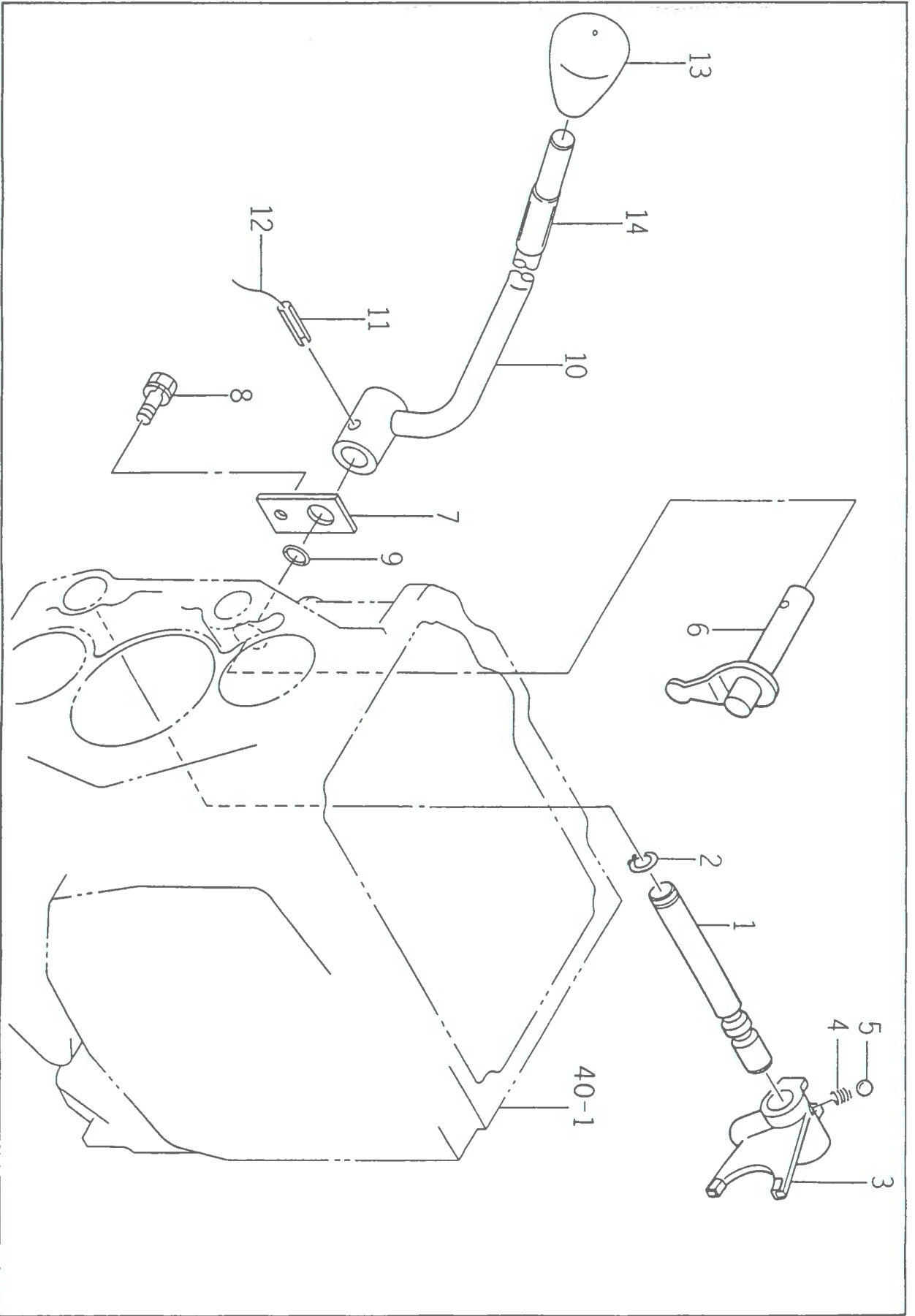
P. 120

KEY#	S P C	C H C	PART CODE	DESCRIPTION	Q T Y	I T C	S C	REMARKS	FROM	UPTO
46			V411-260-008-00	WASHER.PL/M 8	2					
47			V500-162-002-00	PIN.SPLIT/2 X20	2					

BBEE2244555566EEEE
 EE2244555566EEEE
 221121212212556688EEEE
 12 TT 1212EE244566EE2EEEEE22412112211212
 22212212222445122 GG TT
 22 GG 12 2122 S
 C GG

T F	FROM	UPTO	REMARKS

TU318FE



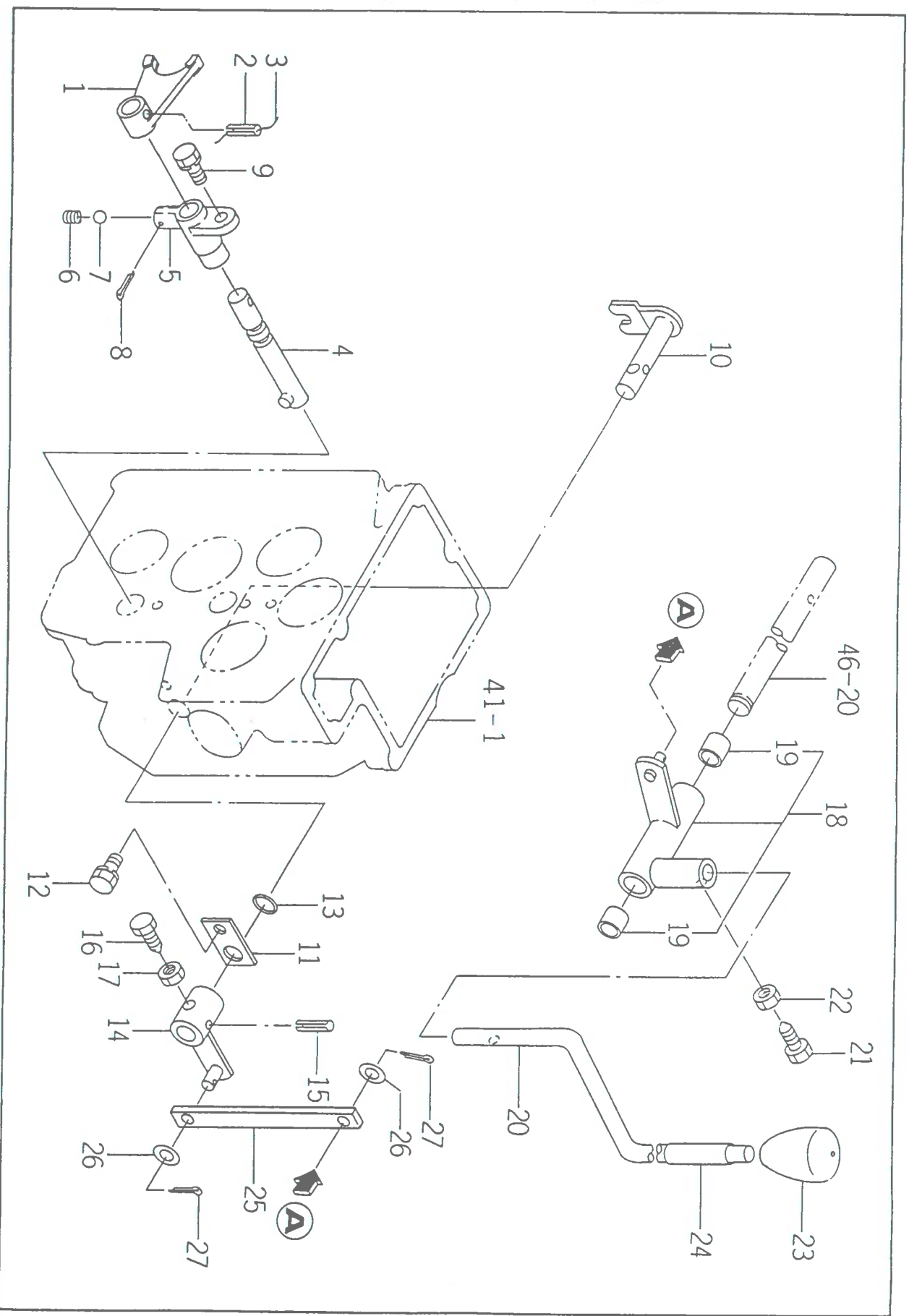
TU318F

FIG # 55

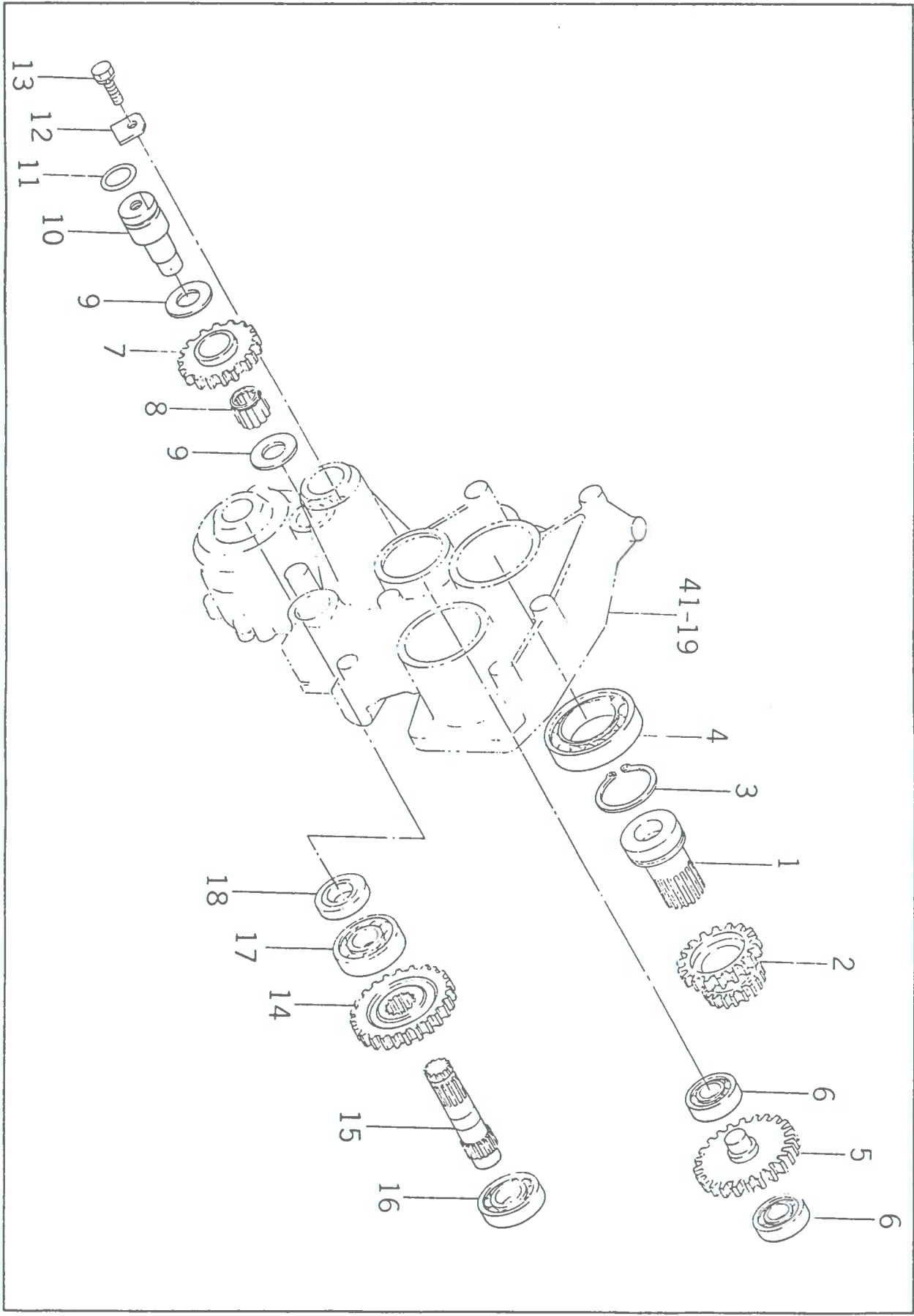
P. 122

KEY#	S P C	C H C G	PART CODE	DESCRIPTION	Q I S T T Y C C	BBBEEEEE EE2244555566 EEUUUUUUUUUUUUUU 22121211221125566 12 1212EE244566EE TT 22122122222445122 GG 22 GG 12 2122 S C	EEUUUUUUUUUUUUUU BBBEEEEE UUUUUUUUUUUUUUUUUU 2244445566 121221122112211212 GG TT	UUUUUUUUUUUUUUUU BBBEEEEE UUUUUUUUUUUUUUUUUU 2244445566 121221122112211212 GG TT	FROM	UPTO	REMARKS
1			1544-219-001-00	STAY, FRONT SHIFT	1	000000000000	000000000000	000000000000			
2			V704-140-014-00	RING, SNAP/14 C	1	000000000000	000000000000	000000000000			
3			1544-219-002-00	SHIFT, FRONT CHANGE	1	000000000000	000000000000	000000000000			
4			1302-225-003-00	SPRING, SHIFTER	1	000000000000	000000000000	000000000000			
5			V680-200-001-00	BALL, STEEL/5/16	1	000000000000	000000000000	000000000000			
6			1544-219-200-20	ARM, FRONT SHIFT COMP	1	000000000000	000000000000	000000000000			
7			1544-218-002-00	PLATE	1	000000000000	000000000000	000000000000			
8			V211-260-801-60	BOLT, SEMS/H8X16	1	000000000000	000000000000	000000000000			
9			V720-102-401-40	O-RING/P14	1	000000000000	000000000000	000000000000			
10			1602-219-200-00	LEVER, FRONT COMP	1	000000000000	000000000000	000000000000			
11			V580-140-502-50	PIN, SPRING/5 X25 W	1	000000000000	000000000000	000000000000			
12				WIRE/1.0X70	1	000000000000	000000000000	000000000000			
13			1544-219-005-00	KNOB, LEVER/12	1	000000000000	000000000000	000000000000			
14			1544-218-005-00	TUBE/60	1	000000000000	000000000000	000000000000			

TU318FE



TU318FE



TU318FE

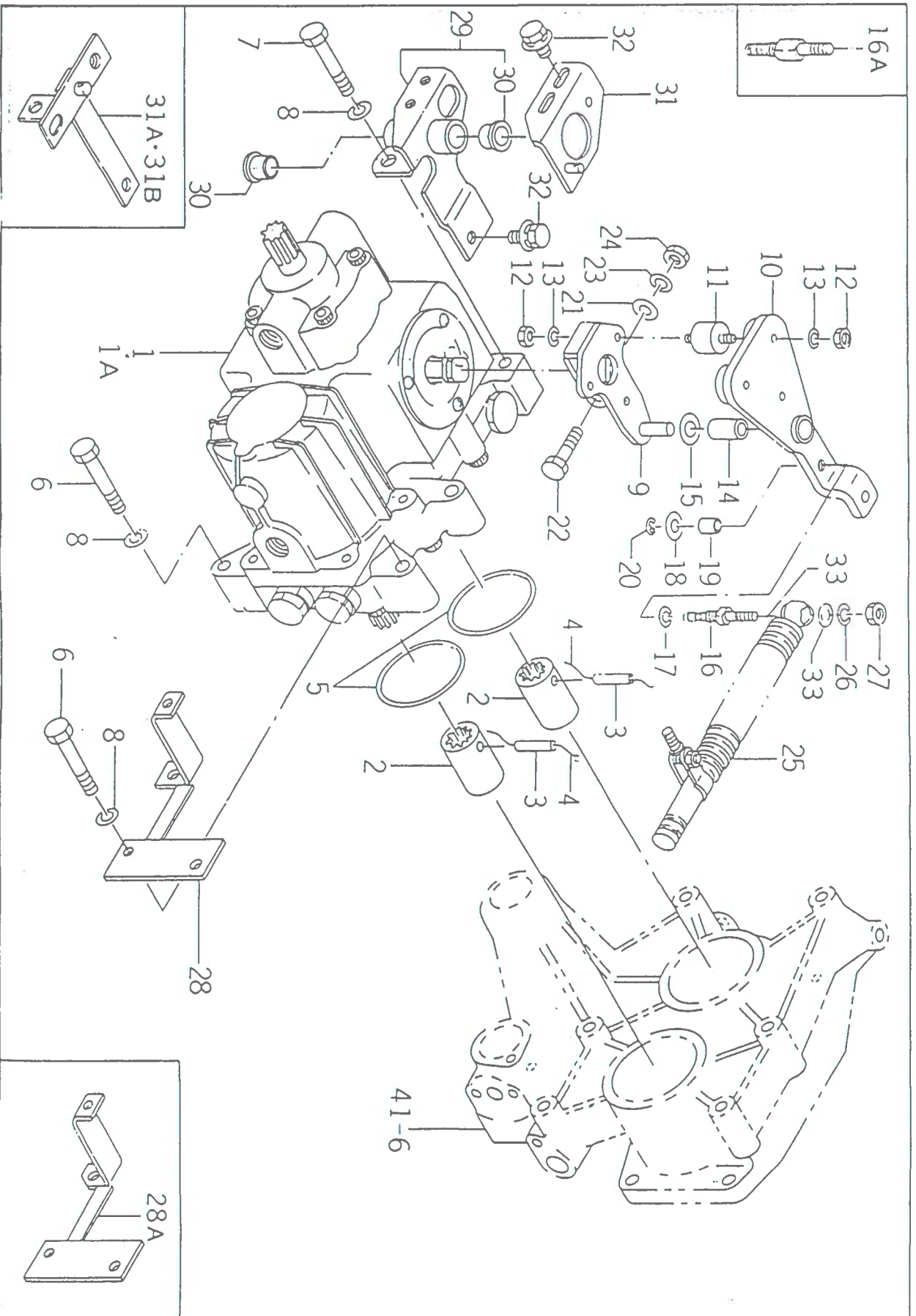


FIG. # 58A

HST ASSY

P.128-1

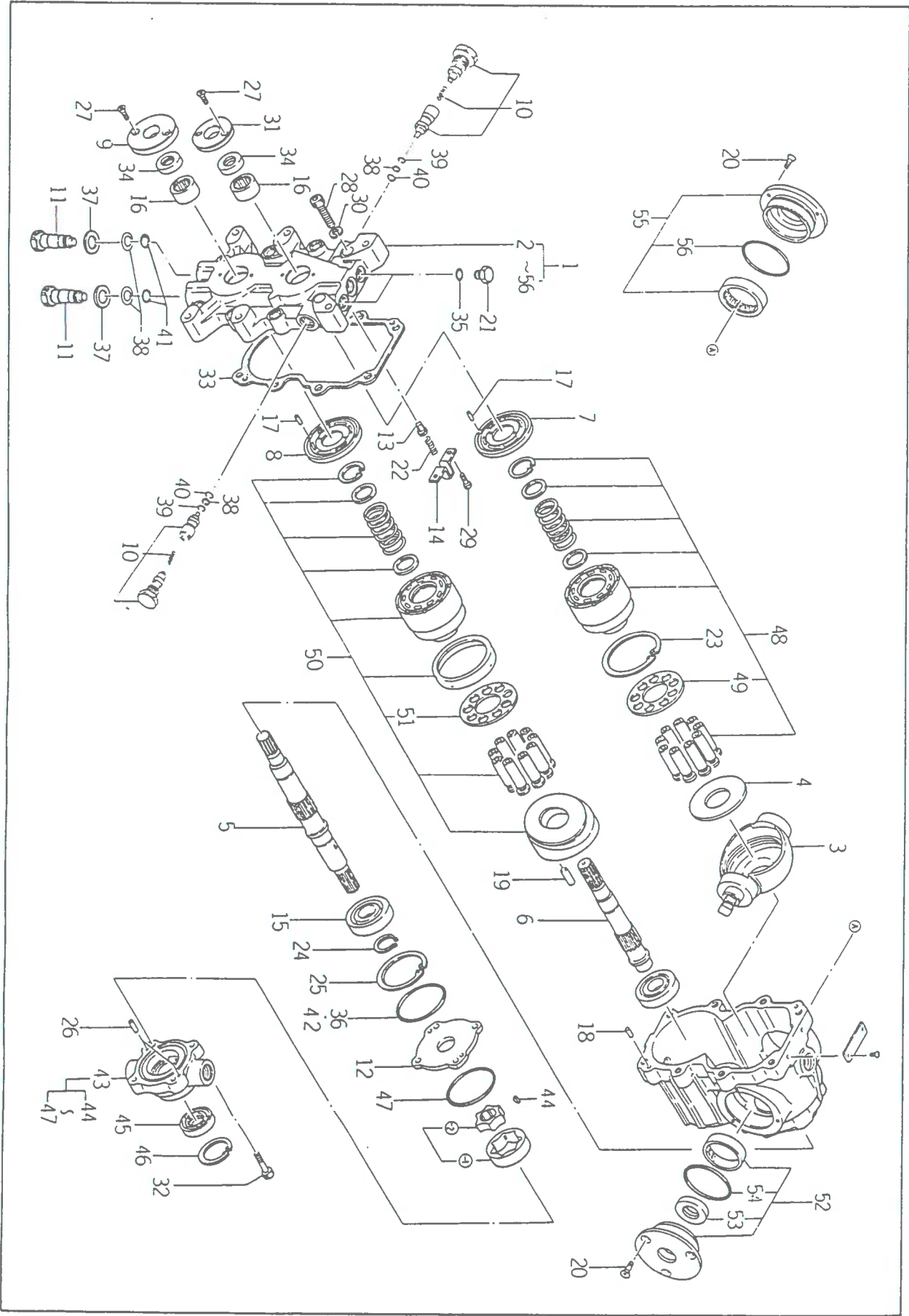
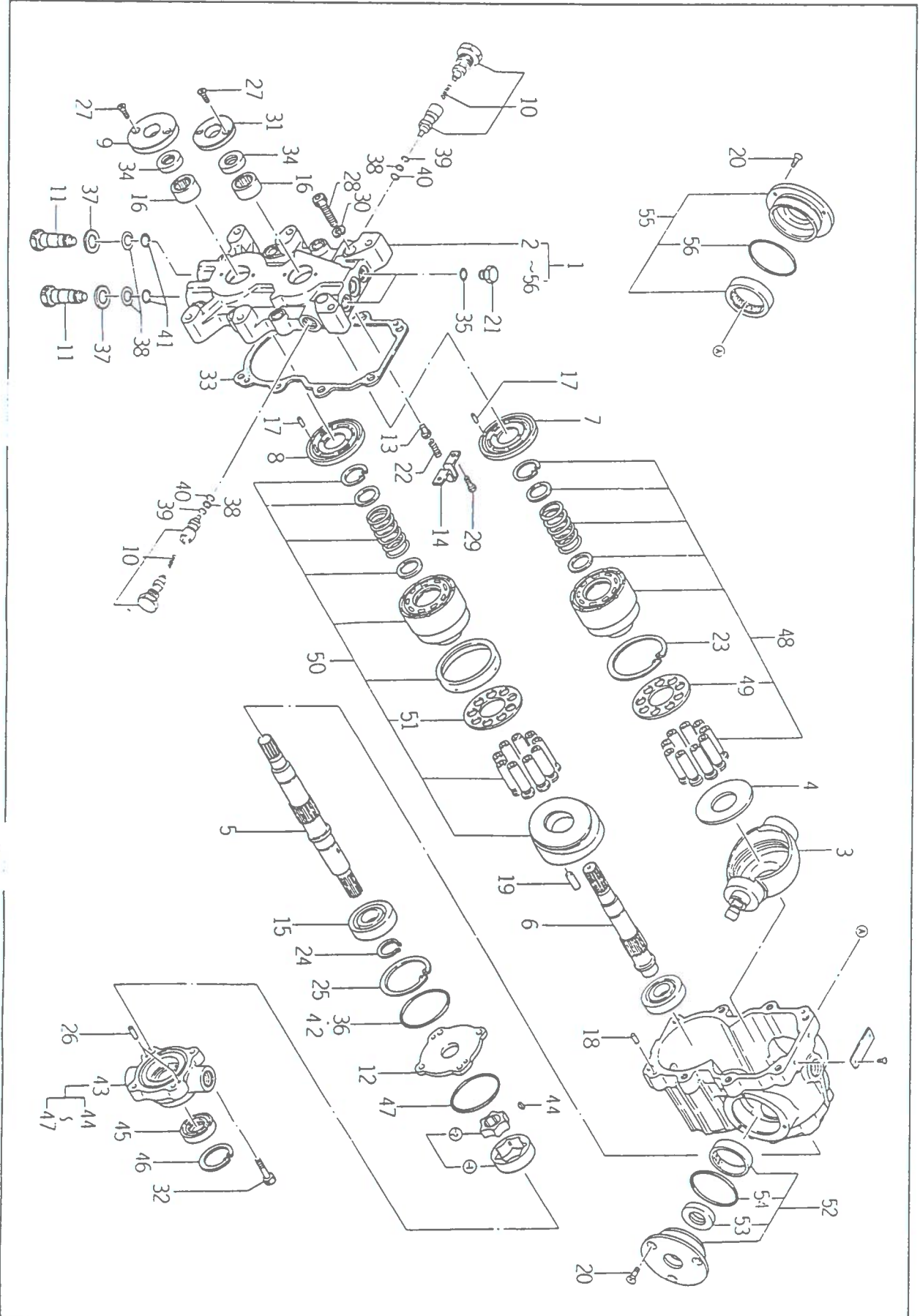


FIG. # 58A

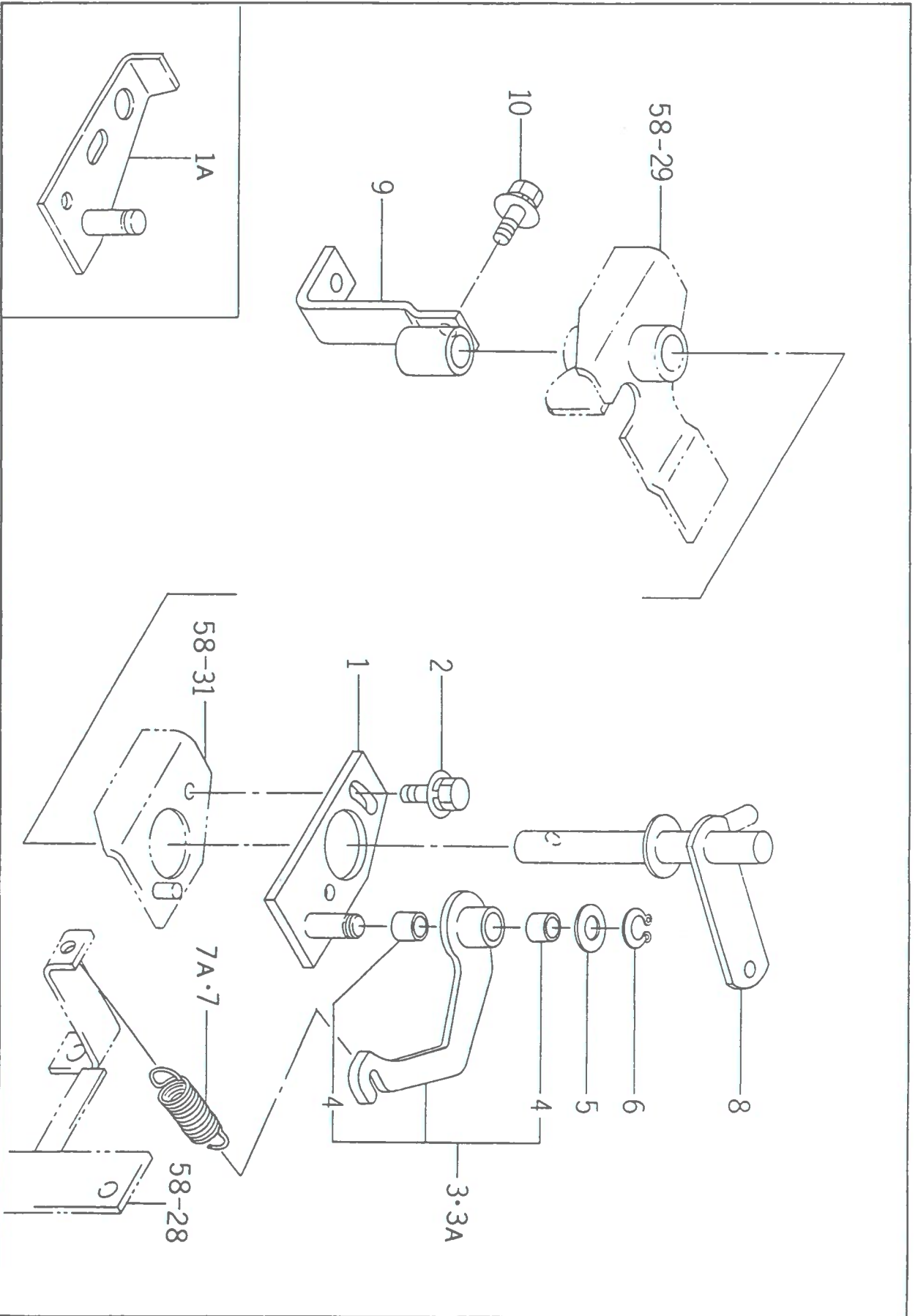
HST ASSY



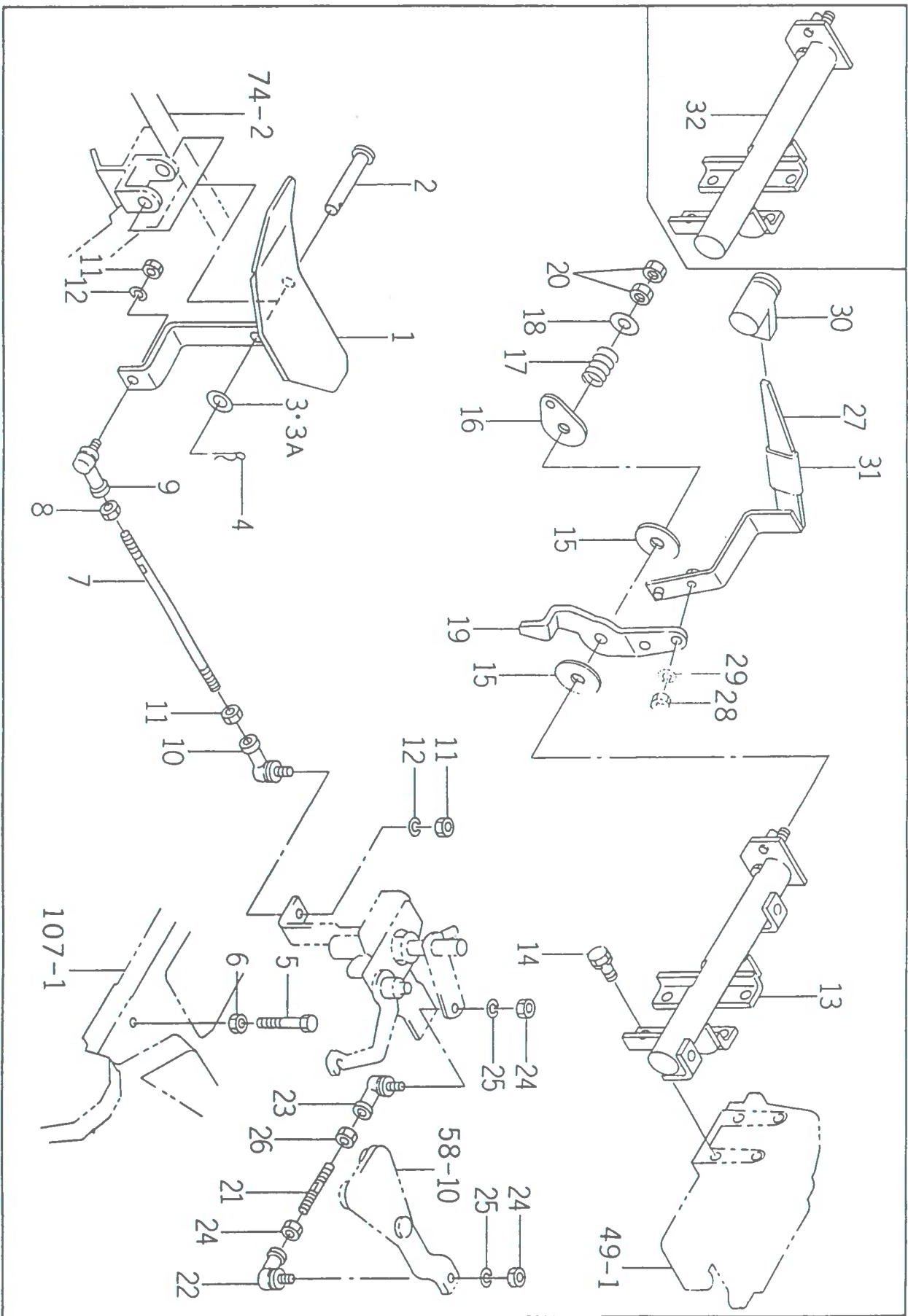
P128-3



TU318FE



TU318FE

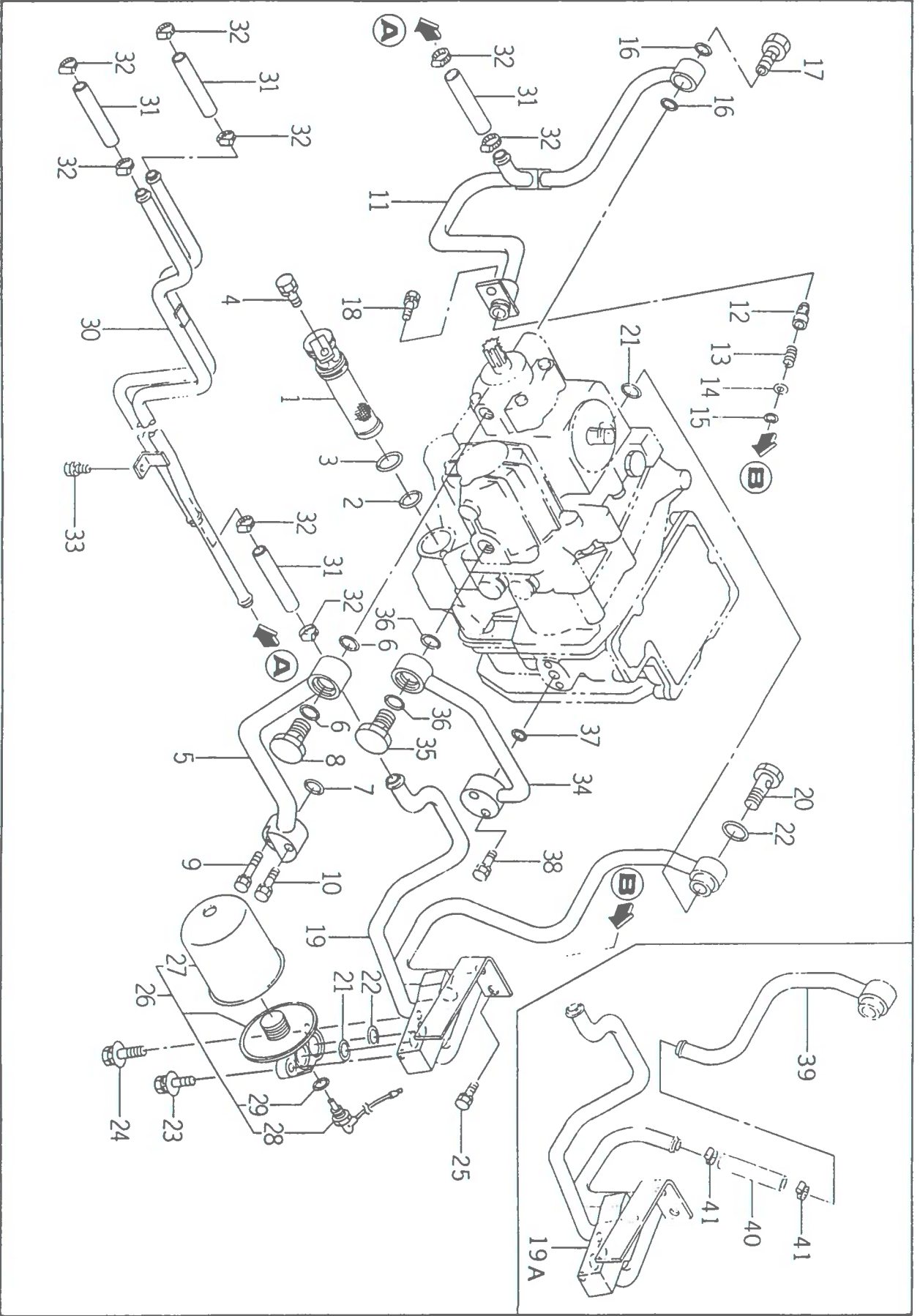


TU318F

FIG # 60

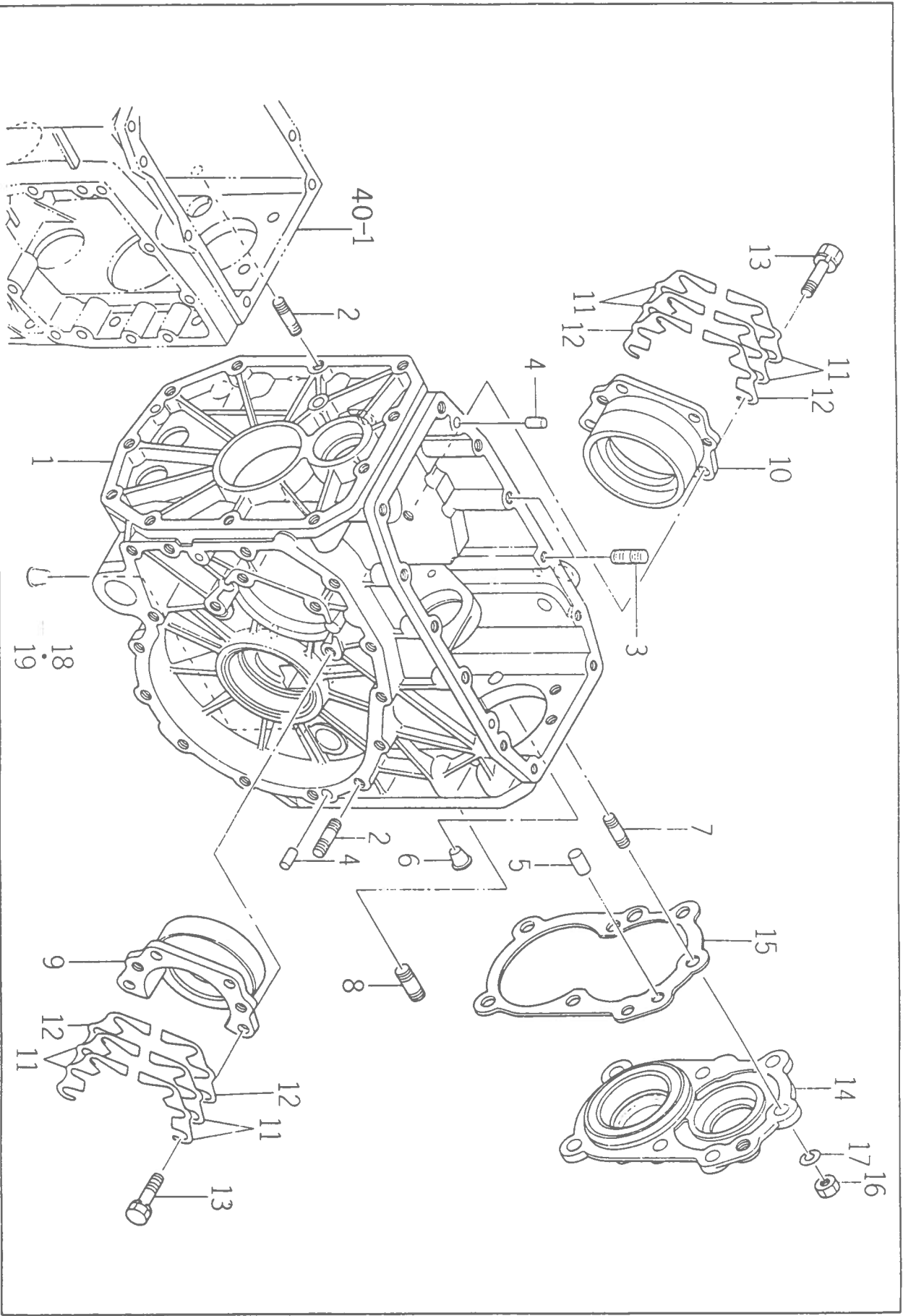
P. 132

KEY#	S C P H C G	PART CODE	DESCRIPTION	Q I S T T Y C C	FROM	UPTO	REMARKS
1		1602-242-500-10	PEDAL/HST	1			
2		1600-242-051-00	PIN/12X78	1			
3		V411-260-012-00	WASHER /M12	1			
3A		1330-726-013-00	WASHER	1			
4		1305-241-001-00	PIN, HAIR	1			
5		W201-260-805-50	BOLT/M8X55	1			
6		V304-200-008-00	NUT/M8	1			
7		1602-242-511-10	ROD/225	1			
8		1560-132-007-30	NUT/M8	1			
9		3640-220-004-00	L-BALL/RH	1			
10		3640-220-005-00	L-BAAL/LH	1			
11		V304-260-008-00	NUT/M8	3			
12		V401-160-008-00	WASHER, SP/M8	2			
13		1602-242-520-10	HOLDER, LEVER/HSTCOMP	1			
14		V211-260-801-60	BOLT, SENS/M8X16	4			
15		1600-505-007-00	LINING/13X50X3	2			
16		1560-511-012-00	PLATE	1			
17		1404-117-008-00	SPRING, PRESS/22	1			
18		1444-116-007-00	WASHER/11X30X2	1			
19		1602-242-052-10	PLATE, ARM	1			
20		V304-260-010-00	NUT/M10	2			
21		1602-242-551-10	ROD/65	1			
22		3640-220-004-00	L-BALL/RH	1			
23		3640-220-005-00	L-BAAL/LH	1			
24		V304-260-008-00	NUT/M8	3			
25		V401-160-008-00	WASHER, SP/M8	2			
26		1560-132-007-30	NUT/M8	1			
27		1602-242-560-10	LEVER/HST	1			
28		V304-260-008-00	NUT/M8	1			
29		V401-160-008-00	WASHER, SP/M8	1			
30		1432-242-003-00	GRIP, A	1			
31		1560-316-002-40	TUBE, STRAIGHT/50	1			
32		1602-242-700-00	HOLDER, LEVER/HB COMP	1			



TU318FE

TU318FE



KEY#	S C P H C G	PART CODE	DESCRIPTION	Q I S T T Y C C	FROM	UPTO	REMARKS
1		1600-243-500-00	FILTER, SUCTION ASSY	1			
2		V720-103-502-80	O-RING/P28	1			
3		V720-103-503-00	O-RING/P30	1			
4		V211-260-801-60	BOLT, SEMS (S) M8X16	1			
5		1602-243-510-10	PIPE, SUCTION COMP	1			
6		V720-103-502-40	O-RING/P24	2			
7		V720-102-401-80	O-RING/P18	1			
8		1602-243-051-10	ADAPTER, PF1/2	1			
9		V211-260-804-00	BOLT, SEMS/M8X40	1			
10		V211-260-803-00	BOLT, SEMS/M8X30	1			
11		1602-243-520-20	PIPE, BUST COMP	1			
12		1600-243-055-00	PUPPET	1			
13		1600-243-056-00	SPRING/HC021	1			
14		1600-243-057-00	SHIM/07X14X01	1			
15		V705-140-015-00	RING, SNAP/15 C	1			
16		V720-102-401-80	O-RING/P18	2			
17		1435-201-004-00	BOLT, CONNECTOR/38	1			
18		V211-260-801-60	BOLT, SEMS/8X16	1			
19		1602-243-530-10	PIPE, RETURN COMP	1			
19A		1602-243-530-20	PIPE, RETURN COMP	1			
20		1600-243-051-00	BOLT, CONNECTOR/M16	1			
21		V720-102-402-00	O-RING/P20	2			
22		V720-103-502-20	O-RING/P22	2			
23		V211-361-003-00	BOLT/M10X30	1			
24		V211-361-005-00	BOLT/M10X50	1			
25		1560-515-270-00	BOLT, SEMS (S)	2			
26		1560-515-272-00	FILTER ASSY	1			
27		1560-515-272-00	CARTRIDGE	1			
28		1560-515-273-00	SENSOR	1			
29		V720-102-401-00	O-RING/P10A	1			
30		1600-243-580-20	PIPE, COOLER COMP	1			
31		1435-201-012-00	PIPE, B/RUBBER	4			
32		3768-185-016-00	RAND/22	8			
33		V211-260-801-60	BOLT, SEMS (S) M8X16	1			
34		1602-243-590-10	PIPE, DRAIN COMP	1			
35		1602-243-051-10	ADAPTER, PF1/2	1			
36		V720-103-502-40	O-RING/P24	2			
37		V720-102-401-80	O-RING/P18	1			
38		V211-260-803-50	BOLT, S/M8X35	2			
39		1602-243-610-00	PIPE, RETURN COMP	1			
40		1435-201-012-00	PIPE, B/RUBBER	1			
41		3768-185-016-00	BAND/22	2			

交還シート有り。

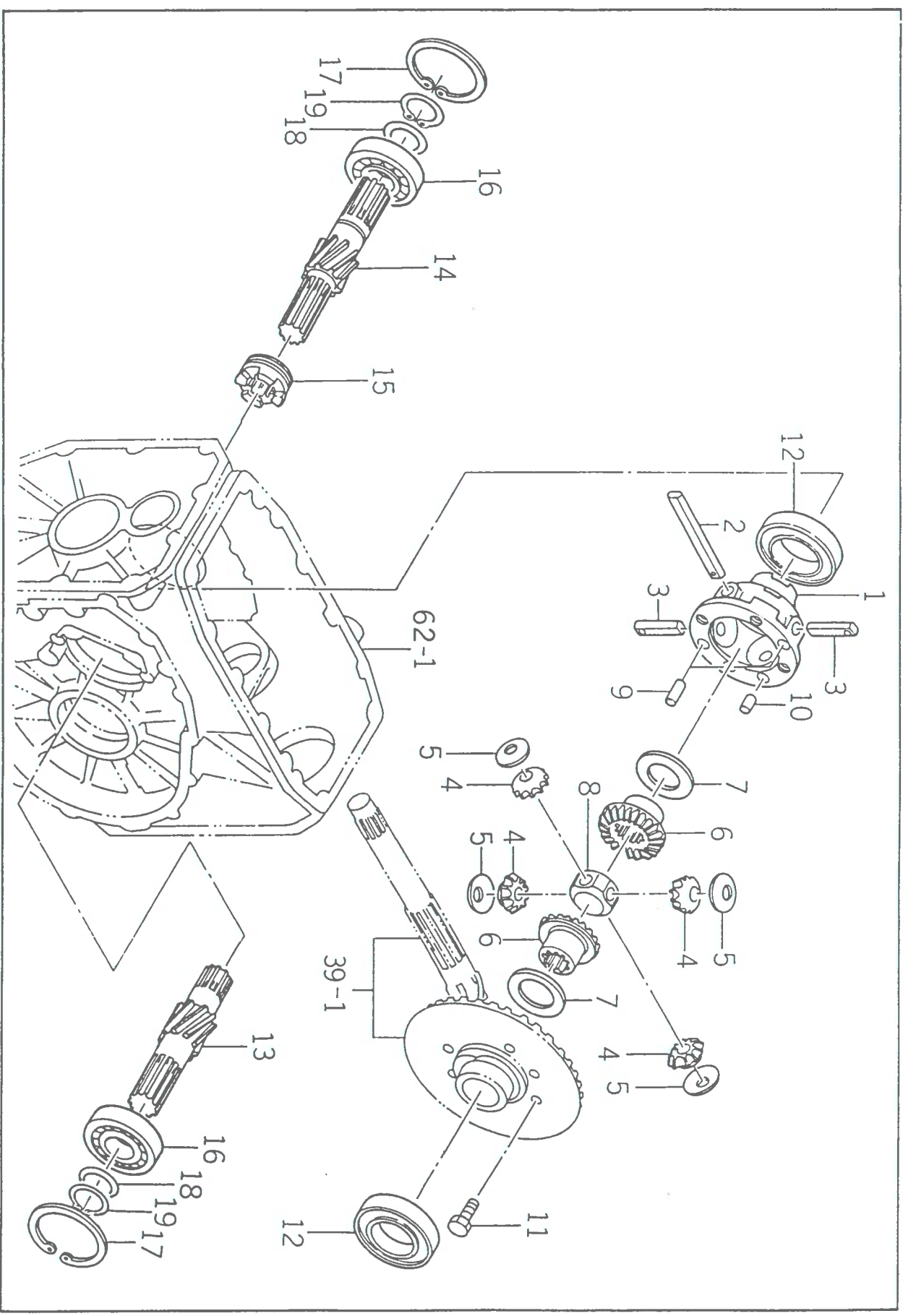
TU318F

FIG # 62

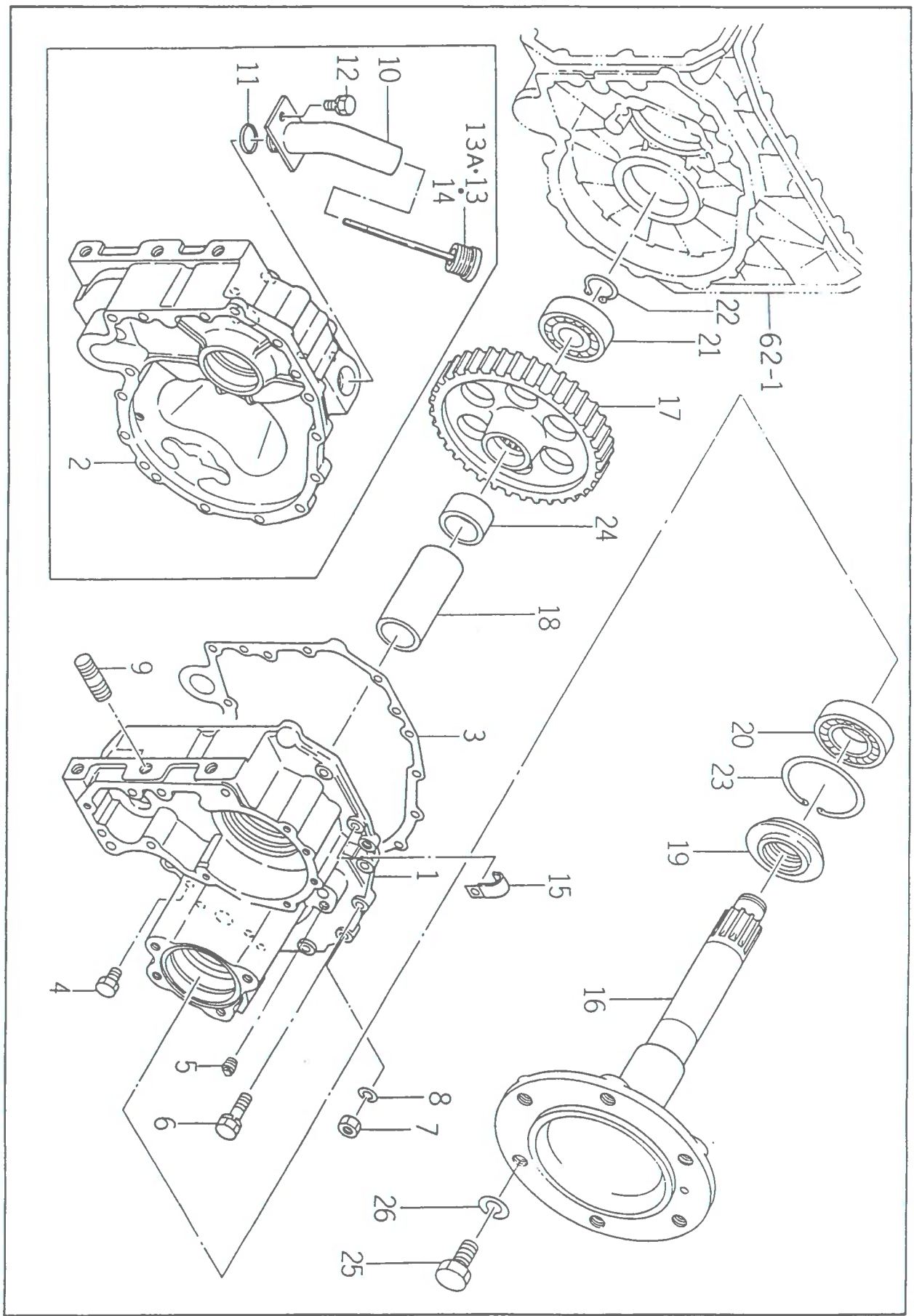
P. 136

KEY#	S C P H C G	PART CODE	DESCRIPTION	Q T Y	S I T Y C	U P T O	F R O M	R E M A R K S
1		1575 301-001-00	CASE, TRANSMISSION	1				
2		V251-261-003-50	STUD/M10X35	4				
3		V251-261-002-80	BOLT, STUD/M10X28	2				
4		V520 100-801-60	PIN, ST/8X16	6				
5		V520 101-001-80	PIN, ST/10X18	1				
6		1427-201-016-00	CAP, BLANK/M12	3				
7		1575 301-007-00	BOLT, STUD C LOCK	7				
8		V252 261-202-50	STUD/M12X25	8				
9		1544-301-002-00	METAL, DIFF CASE/LH	1				
10		1544-301-005-00	METAL, DIFF CASE/RH	1				
11		1427-201 014-00	SHIM, DIFF CASE A	4				
12		1427-201-015-00	SHIM, DIFF CASE B	2				
13		V211-261-002-50	BOLT, S/M10X25	8				
14		1602-301-001-00	METAL, PTO	1				
15		1575-301-006-00	GASKET, METL/PTO	1				
16		V304-260-010-00	NUT	7				
17		V401-160-010-00	WASHER, SP/M10	7				
18		1427-201-016-00	CAP, BLANK/M12	7				
19		1427-201 016-00	CAP, BLANK/M12	5				

TU318FE



TU318FE



TU318F

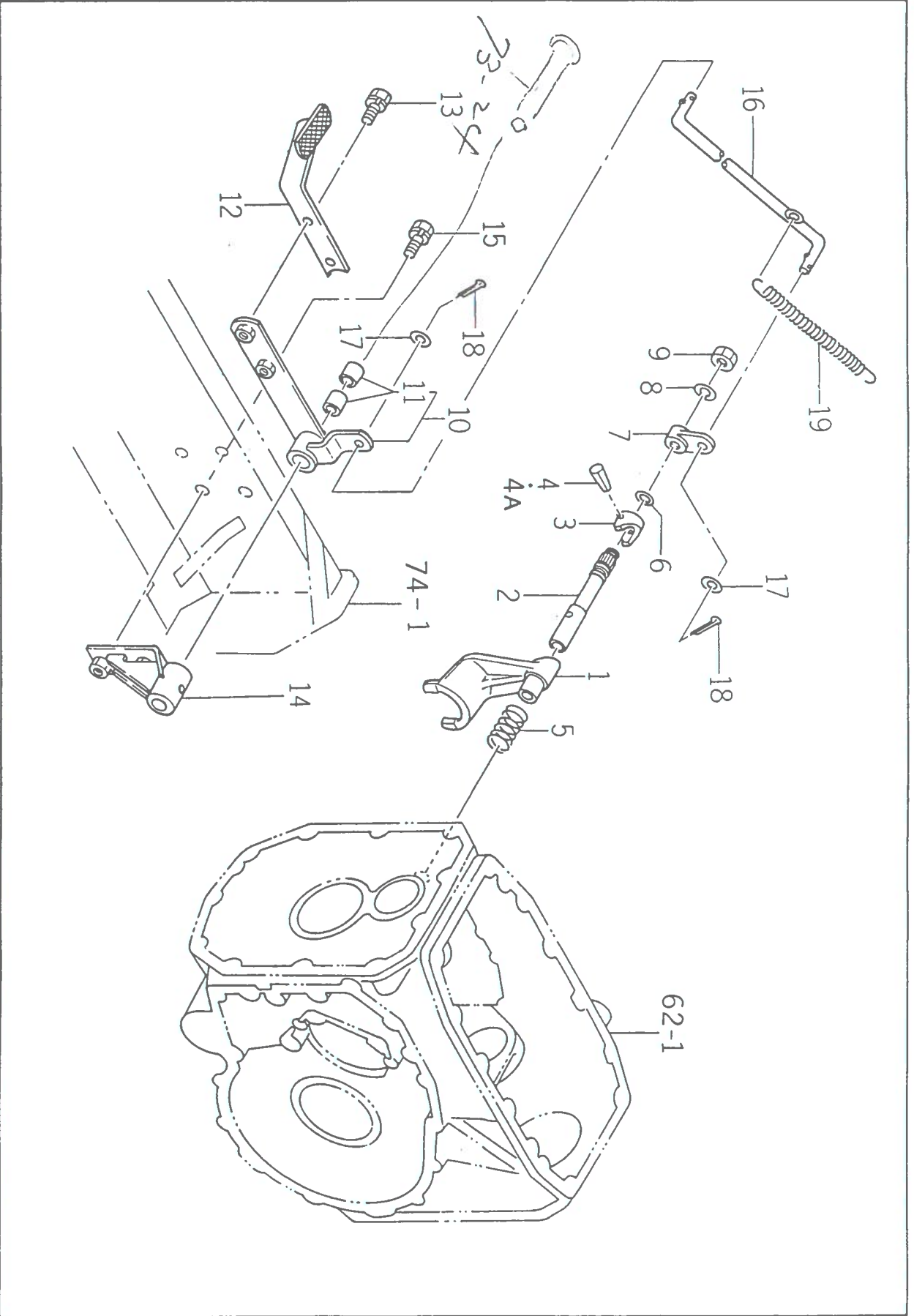
FIG #

64

P. 140

KEY#	S P C	C H G	PART CODE	DESCRIPTION	Q T Y	I S T C	REMARKS	FROM	UPTO	REMARKS
1			1575-306-001-40	HOUSING, AXLE REAR/LH	1					
2			1575-306-002-30	HOUSING, AXLE REAR/RH	1					
3			1544-306-003-00	PACKING, REAR AXLE	2					
4			7955-201-026-00	PLUG, DRAIN (1/4)	2					
5			V781-100-000-80	PLUG	1					
6			V211-261-003-50	BOLT/M10X35	16					
7			V304-260-010-00	NUT/M10	4					
8			V401-160-010-00	WASHER, SP/M10	4					
9			V251-341-604-00	BOLT, STUD/M16X40	2					
10			1602-306-200-00	PIPE COMP	1					
11			V723-102-002-60	U-KING	1					
12			V211-261-001-60	BOLT, S/M10X16	1					
13			1602-306-003-00	GAUGE, OIL	1					
13A			1575-306-004-00	GAUGE, OIL	1					
14			1602-306-051-00	GAUGE, OIL	1					
15			3737-172-011-00	CLAMP, HARNESS	1					
16			1602-307-001-00	SHAFT, WHEEL	2					
17			1544-307-002-00	GEAR, WHEEL/62	2					
18			1544-307-003-00	PIPE/110	2					
19			1427-307-004-00	SEAL, OIL/48	2					
20			V600-110-620-80	BEARING, RB/6208	2					
21			V600-110-630-60	BEARING, RB/6306	2					
22			V704-140-030-00	RING, SNAP/30 C	2					
23			V705-140-080-00	RING, SNAP/80 C	2					
24			1544-307-004-00	BUSH/40X48X23	2					
25			V201-301-603-00	BOLT/M16X30	12					
26			V401-160-016-00	WASHER, SP/M16	12					

TU318FE



TU318F

FIG # 65

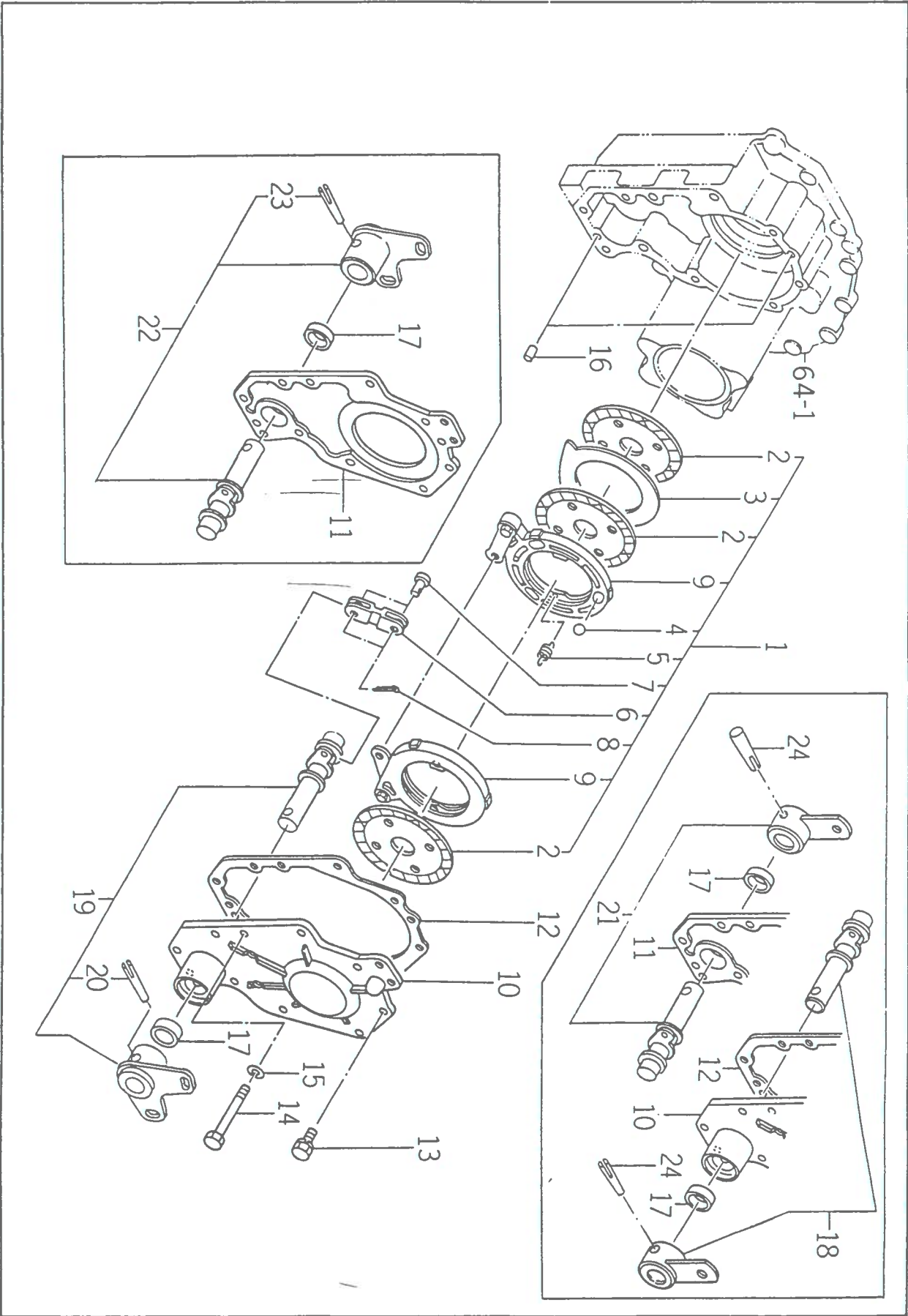
P. 142

KEY#	S C P H C G	PART CODE	DESCRIPTION	Q I S T T Y C C	FROM	UPTO	REMARKS
1		1427-301-014-00	SHIFTER, DIFF-LOCK	1			
2		1544-308-001-00	STAY, SHIFT	1			
3		1427-301-016-00	CAM, DIFF-LOCK	1			
4		1427-301-017-00	PIN, GROOVED	1			
4A		V530-240-502-40	PIN/5X24	1			
5		1427-301-018-00	SPRING, PRESS/40	1			
6		V723-101-501-20	U-RING	1			
7		1427-301-019-0*	ARM, DIFF-LOCK	1			
			MIRROR BLACK	1			
8		V401-160-010-00	WASHER, SP/M10	1			
9		V304-260-010-00	NUT/M10	1			
10		1602-308-200-00	ARM, DIFF LOCK	1			
11		3640-111-001-00	METAL, TENSION ARM	2			
12		1575-308-250-10	PEDAL, DIFF LOCK COMP	1			
13		V211-260-802-50	BOLT, S/M8X25	2			
14		1575-308-200-00	PIVOT, DIFF LOCK COMP	1			
15		V211-260-802-50	BOLT, S/M8X25	2			
16		1602-308-220-00	ROD/178	1			
17		V411-260-008-00	WASHER, PL/M8	2			
18		V500-162-002-00	PIN, SPLIT/2X20	2			
19		1427-301-021-00	SPRING, TENSION/121	1			

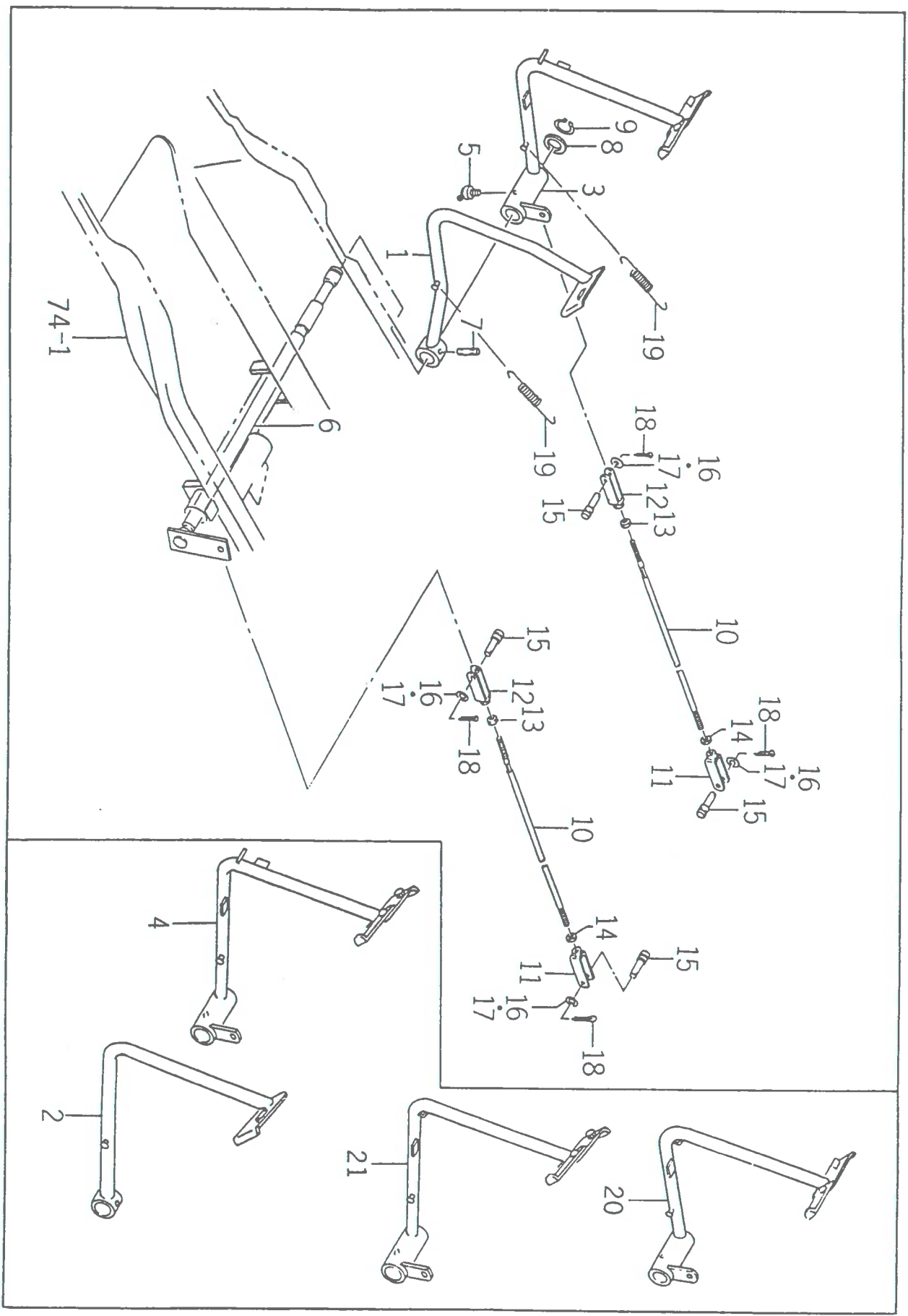
BEEEEEEEEE
 EE2244555666
 221212112212556688EE
 12 TT 1212EE244566EE
 2212212222445122 GG TT
 22 GG 12 2142 S
 C GG

T F	FROM	UPTO	REMARKS
F	125	124	

TU318FE



TU318FE



74-1

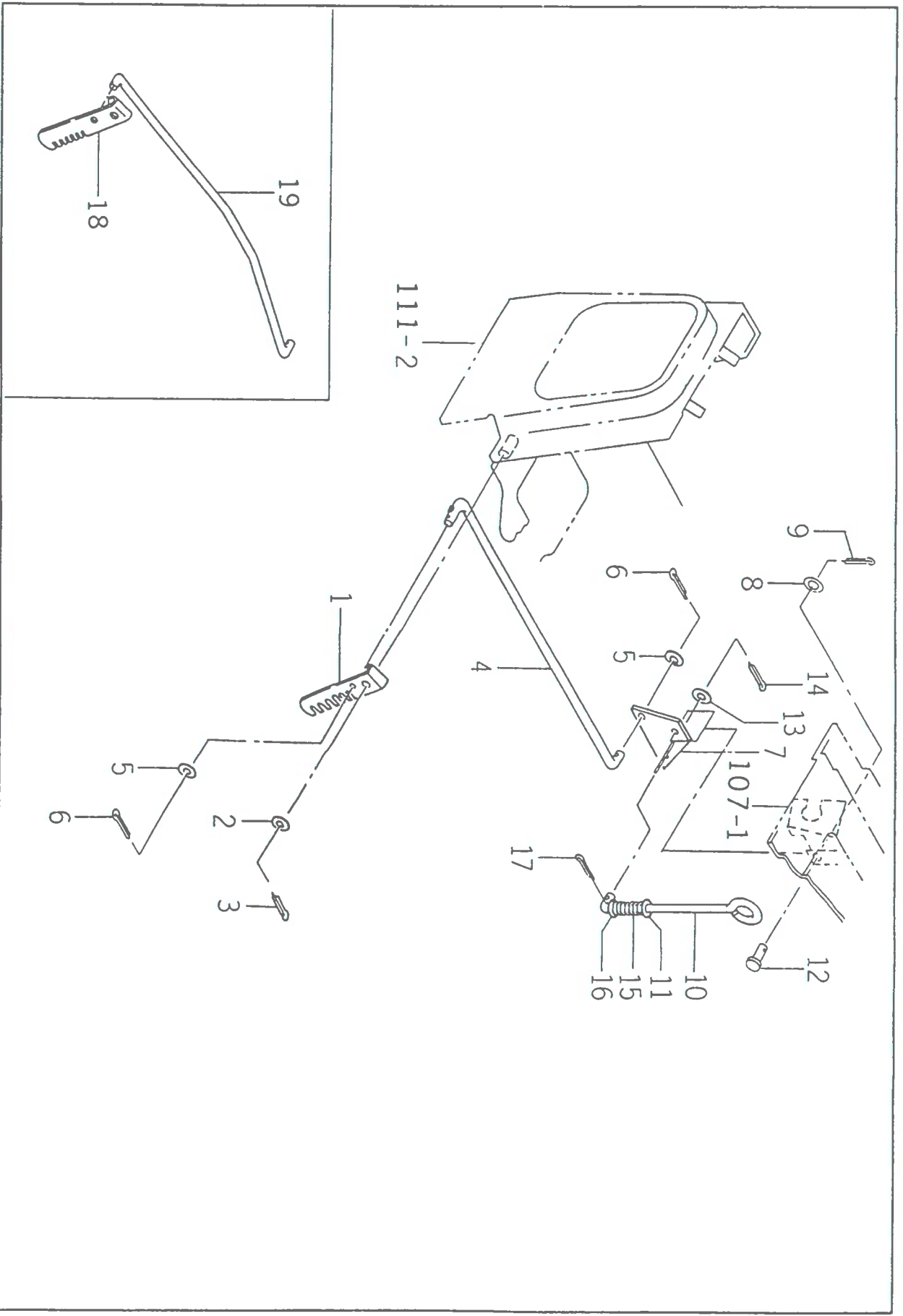
21

20

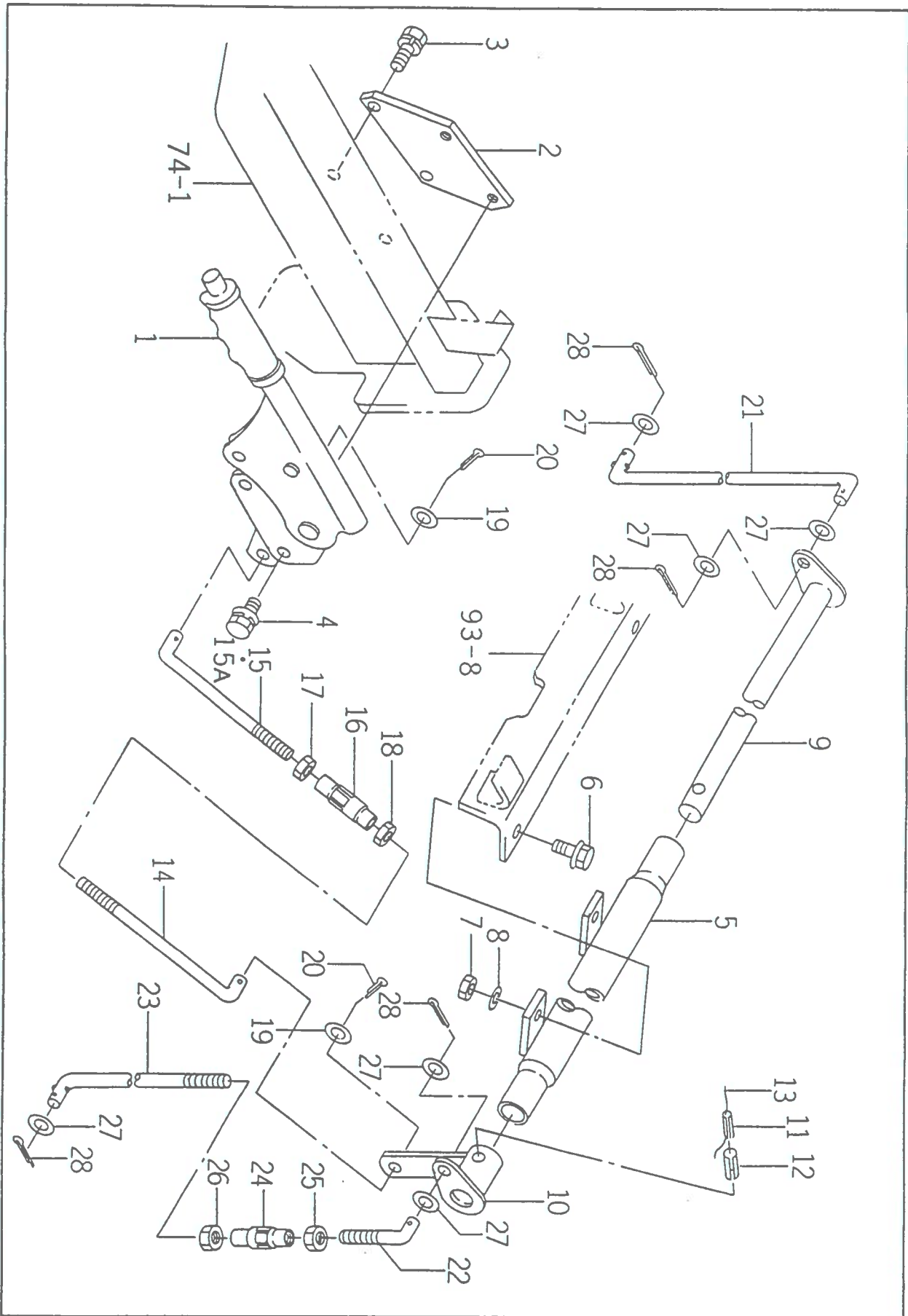
4

2

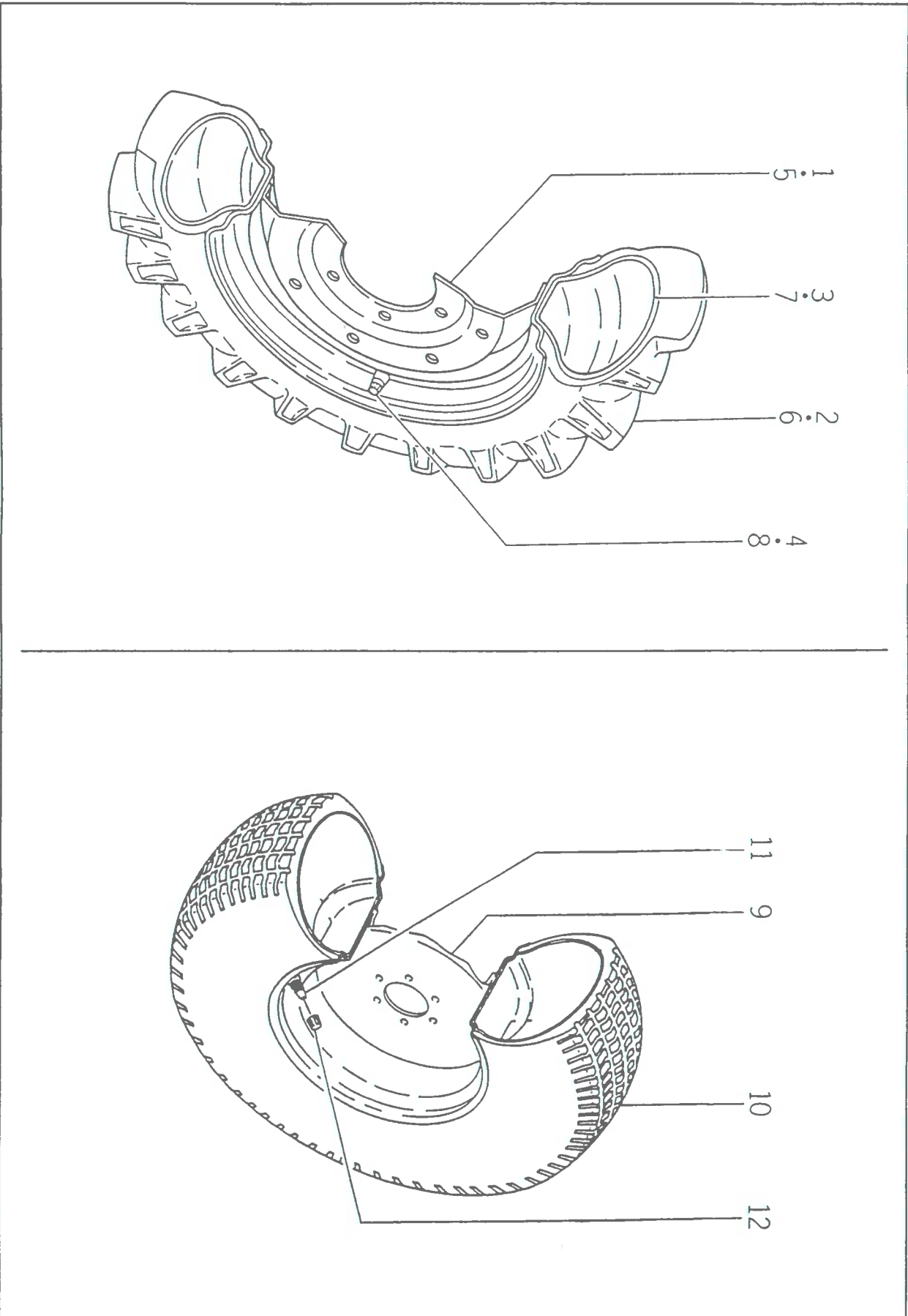
TU318FE



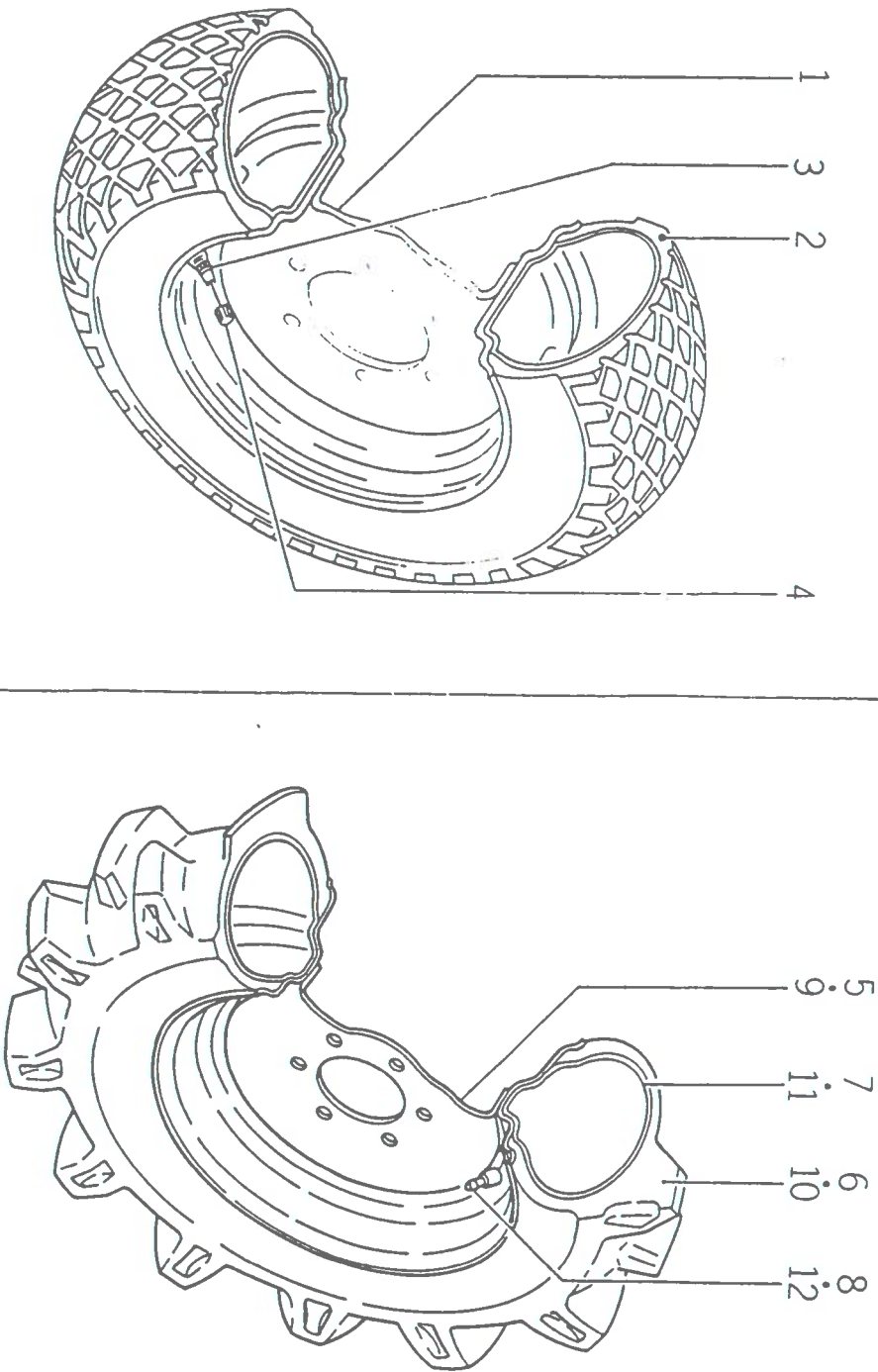
TU318FE



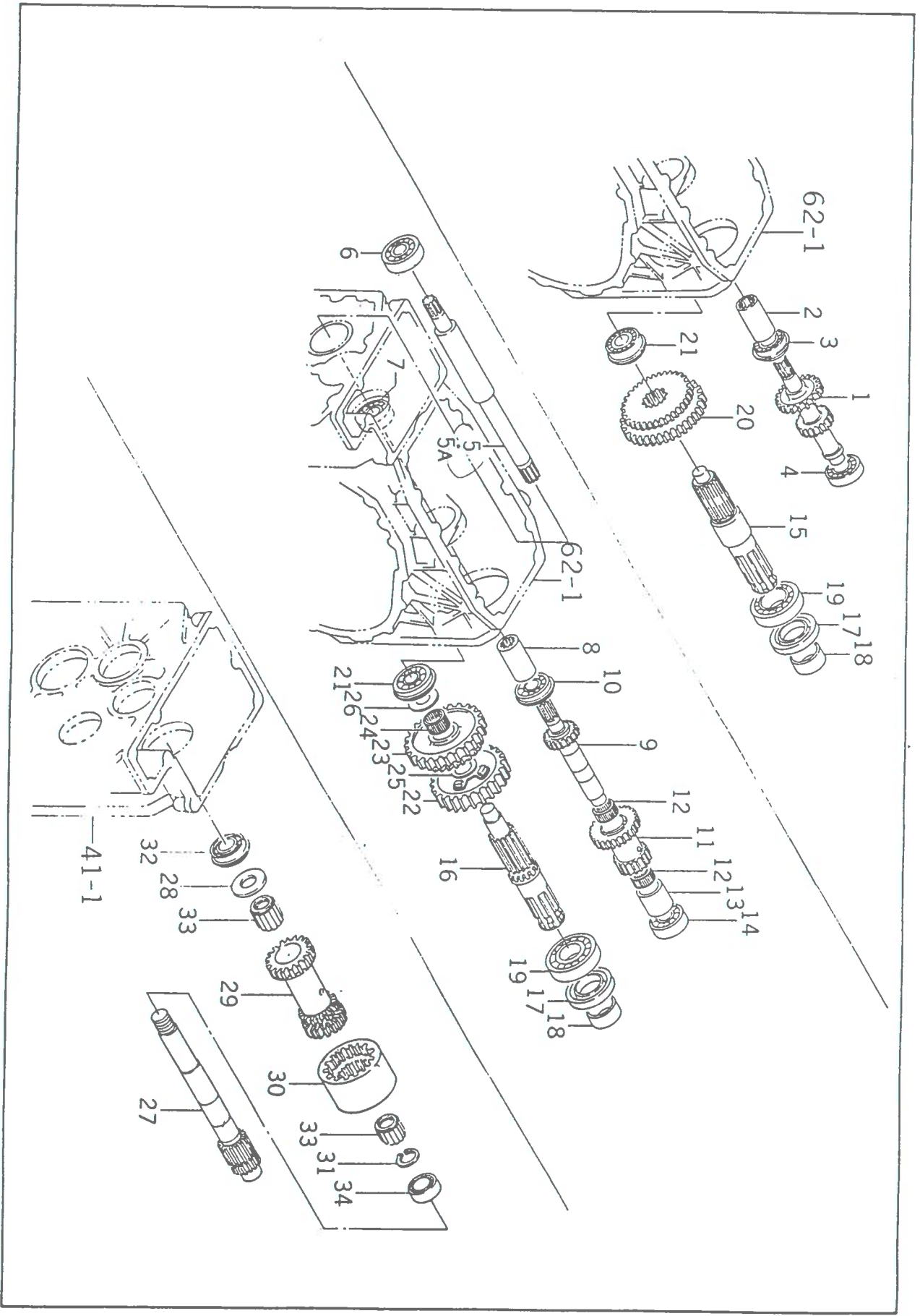
TU318FE



KEY#	S P C	C H G	PART CODE	DESCRIPTION	Q T Y	U N I T S	R E C E I V E D		T I M E	R E M A R K S
							DATE	AMOUNT		
1			1546-317-220-00	RIM, WHEEL/W7-20 COMP	1		22	GG		
2			1602-317-201-00	TIRE/8.3-20-4	1		22	GG		
3			V889-000-082-00	TUBE	1		22	GG		
4			V999-200-003-00	CAP, TIRE VALVE	1		22	GG		
5			1546-317-220-00	RIM, WHEEL/W7-20 COMP	1		22	GG		
6			1602-317-201-00	TIRE/8.3-20-4	1		22	GG		
7			V889-000-082-00	TUBE	1		22	GG		
8			V999-200-003-00	CAP, TIRE VALVE	1		22	GG		
9			1600-441-270-00	DISK, WHEEL COMP	2		22	GG		
10			1602-441-201-00	TIRE/24X8.50-12 4	2		22	GG		
11			1386-241-002-00	BULB	2		22	GG		
12			V999-200-003-00	CAP, TIRE VALVE	2		22	GG		

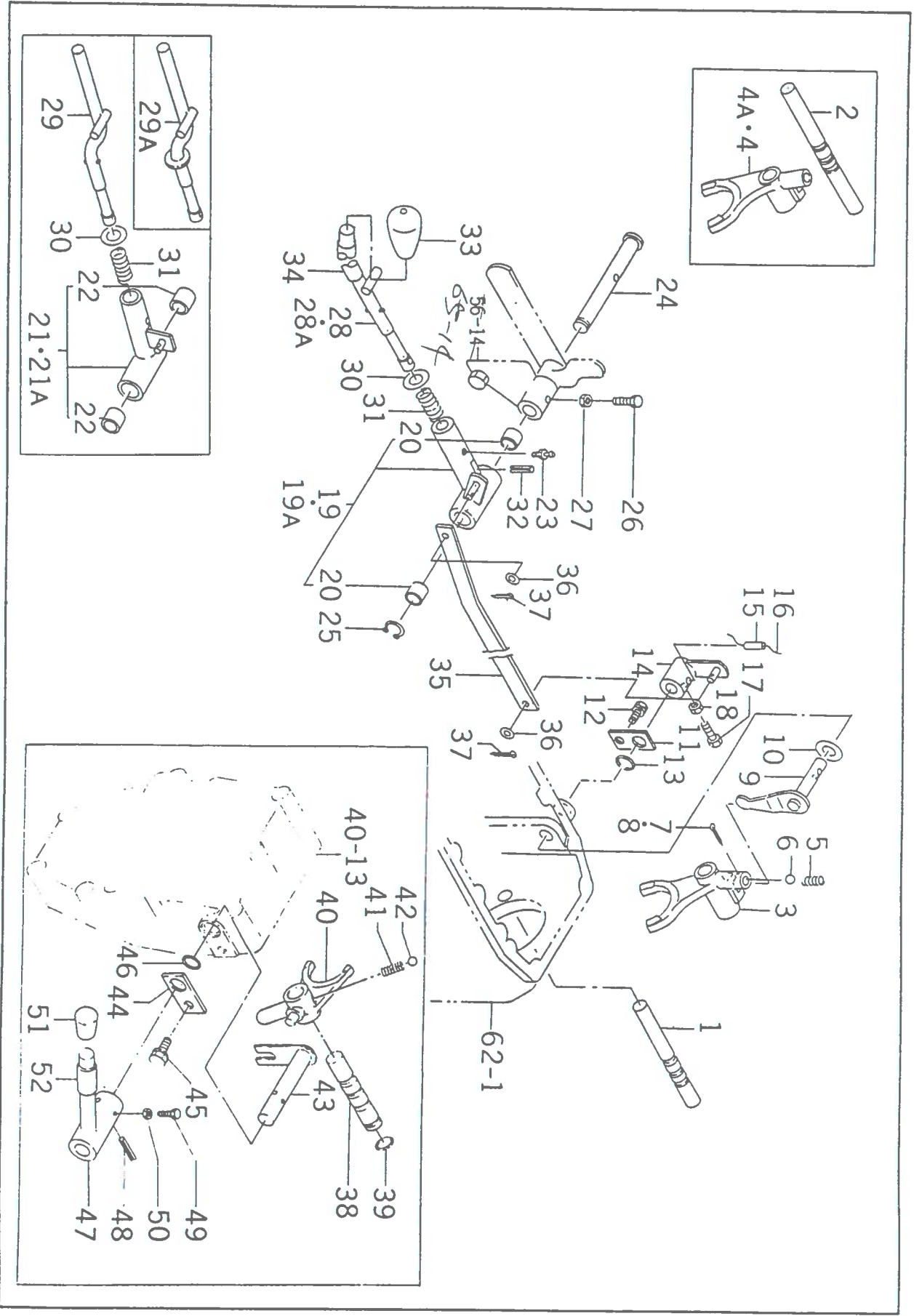


TU318FE



KEY#	S C H C	P H C	G	PART CODE	DESCRIPTION	Q T Y	I T C	S C	BBEEEEE EE24455556666 221212112211255666 12	TT 1212EE2445666E2 22121221222244 22 22 12 2122 C GG S	MMMMMMMMMMMM UUUUUUUUUUUUUU UUUUUUUUUUUUUU UUUUUUUUUUUUUU	UUUUUUUUUUUUUU UUUUUUUUUUUUUU UUUUUUUUUUUUUU UUUUUUUUUUUUUU	UUUUUUUUUUUUUU UUUUUUUUUUUUUU UUUUUUUUUUUUUU UUUUUUUUUUUUUU	F F	FROM	UPTO	REMARKS
1				1602-321-001-00	GEAR/23-15T	1			UUUUUUUUUUUUUU UUUUUUUUUUUUUU UUUUUUUUUUUUUU UUUUUUUUUUUUUU		UUUUUUUUUUUUUU UUUUUUUUUUUUUU UUUUUUUUUUUUUU UUUUUUUUUUUUUU						
2				1544-321-002-00	COUPLING	1			UUUUUUUUUUUUUU UUUUUUUUUUUUUU		UUUUUUUUUUUUUU UUUUUUUUUUUUUU UUUUUUUUUUUUUU UUUUUUUUUUUUUU						
3				V607-110-620-40	BEARING, RB/6204NR	1			UUUUUUUUUUUUUU UUUUUUUUUUUUUU		UUUUUUUUUUUUUU UUUUUUUUUUUUUU UUUUUUUUUUUUUU UUUUUUUUUUUUUU						
4				V600-110-620-40	BEARING, RB/6204	1			UUUUUUUUUUUUUU UUUUUUUUUUUUUU		UUUUUUUUUUUUUU UUUUUUUUUUUUUU UUUUUUUUUUUUUU UUUUUUUUUUUUUU						
5				1602-321-051-00	SHAFT, PTO	1			UUUUUUUUUUUUUU UUUUUUUUUUUUUU		UUUUUUUUUUUUUU UUUUUUUUUUUUUU UUUUUUUUUUUUUU UUUUUUUUUUUUUU						
5A				1602-321-051-10	SHAFT, PTO	1			UUUUUUUUUUUUUU UUUUUUUUUUUUUU		UUUUUUUUUUUUUU UUUUUUUUUUUUUU UUUUUUUUUUUUUU UUUUUUUUUUUUUU						
6				V600-110-630-40	BEARING, RB/6304	1			UUUUUUUUUUUUUU UUUUUUUUUUUUUU		UUUUUUUUUUUUUU UUUUUUUUUUUUUU UUUUUUUUUUUUUU UUUUUUUUUUUUUU						
7				V600-110-620-40	BEARING, RB/6204	1			UUUUUUUUUUUUUU UUUUUUUUUUUUUU		UUUUUUUUUUUUUU UUUUUUUUUUUUUU UUUUUUUUUUUUUU UUUUUUUUUUUUUU						
8				1544-321-002-00	COUPLING	1			UUUUUUUUUUUUUU UUUUUUUUUUUUUU		UUUUUUUUUUUUUU UUUUUUUUUUUUUU UUUUUUUUUUUUUU UUUUUUUUUUUUUU						
9				1602-321-052-00	GEAR/1RT	1			UUUUUUUUUUUUUU UUUUUUUUUUUUUU		UUUUUUUUUUUUUU UUUUUUUUUUUUUU UUUUUUUUUUUUUU UUUUUUUUUUUUUU						
10				V607-110-620-40	BEARING, RB/6204NR	1			UUUUUUUUUUUUUU UUUUUUUUUUUUUU		UUUUUUUUUUUUUU UUUUUUUUUUUUUU UUUUUUUUUUUUUU UUUUUUUUUUUUUU						
11				1602-321-053-00	GEAR/25 17T	1			UUUUUUUUUUUUUU UUUUUUUUUUUUUU		UUUUUUUUUUUUUU UUUUUUUUUUUUUU UUUUUUUUUUUUUU UUUUUUUUUUUUUU						
12				1602-321-055-00	BEARING, NR	2			UUUUUUUUUUUUUU UUUUUUUUUUUUUU		UUUUUUUUUUUUUU UUUUUUUUUUUUUU UUUUUUUUUUUUUU UUUUUUUUUUUUUU						
13				1602-321-054-00	COLLAR/26X38X36	1			UUUUUUUUUUUUUU UUUUUUUUUUUUUU		UUUUUUUUUUUUUU UUUUUUUUUUUUUU UUUUUUUUUUUUUU UUUUUUUUUUUUUU						
14				V600-110-620-40	BEARING, RB/6204	1			UUUUUUUUUUUUUU UUUUUUUUUUUUUU		UUUUUUUUUUUUUU UUUUUUUUUUUUUU UUUUUUUUUUUUUU UUUUUUUUUUUUUU						
15				1602-322-001-00	SHAFT, PTO	1			UUUUUUUUUUUUUU UUUUUUUUUUUUUU		UUUUUUUUUUUUUU UUUUUUUUUUUUUU UUUUUUUUUUUUUU UUUUUUUUUUUUUU						
16				1602-322-051-00	SHAFT, PTO	1			UUUUUUUUUUUUUU UUUUUUUUUUUUUU		UUUUUUUUUUUUUU UUUUUUUUUUUUUU UUUUUUUUUUUUUU UUUUUUUUUUUUUU						
17				V744-140-550-80	SEAL, OIL/TC40558	1			UUUUUUUUUUUUUU UUUUUUUUUUUUUU		UUUUUUUUUUUUUU UUUUUUUUUUUUUU UUUUUUUUUUUUUU UUUUUUUUUUUUUU						
18				1602-322-003-00	SLEEVE/35X40X17	1			UUUUUUUUUUUUUU UUUUUUUUUUUUUU		UUUUUUUUUUUUUU UUUUUUUUUUUUUU UUUUUUUUUUUUUU UUUUUUUUUUUUUU						
19				V600-110-620-70	BEARING, RB/6207	1			UUUUUUUUUUUUUU UUUUUUUUUUUUUU		UUUUUUUUUUUUUU UUUUUUUUUUUUUU UUUUUUUUUUUUUU UUUUUUUUUUUUUU						
20				1602-322-002-00	GEAR/37-45T	1			UUUUUUUUUUUUUU UUUUUUUUUUUUUU		UUUUUUUUUUUUUU UUUUUUUUUUUUUU UUUUUUUUUUUUUU UUUUUUUUUUUUUU						
21				V607-110-630-40	BEARING, RB/6304NR	1			UUUUUUUUUUUUUU UUUUUUUUUUUUUU		UUUUUUUUUUUUUU UUUUUUUUUUUUUU UUUUUUUUUUUUUU UUUUUUUUUUUUUU						
22				1602-322-052-00	GEAR/44T	1			UUUUUUUUUUUUUU UUUUUUUUUUUUUU		UUUUUUUUUUUUUU UUUUUUUUUUUUUU UUUUUUUUUUUUUU UUUUUUUUUUUUUU						
23				1602-322-053-00	GEAR/44-36T	1			UUUUUUUUUUUUUU UUUUUUUUUUUUUU		UUUUUUUUUUUUUU UUUUUUUUUUUUUU UUUUUUUUUUUUUU UUUUUUUUUUUUUU						
24				1568-302-001-00	BEARING, NR/KT253224E	1			UUUUUUUUUUUUUU UUUUUUUUUUUUUU		UUUUUUUUUUUUUU UUUUUUUUUUUUUU UUUUUUUUUUUUUU UUUUUUUUUUUUUU						
25				1480-211-005-00	COLLAR/25X38X2	1			UUUUUUUUUUUUUU UUUUUUUUUUUUUU		UUUUUUUUUUUUUU UUUUUUUUUUUUUU UUUUUUUUUUUUUU UUUUUUUUUUUUUU						
26				1602-205-056-00	COLLAR/20X39X02	1			UUUUUUUUUUUUUU UUUUUUUUUUUUUU		UUUUUUUUUUUUUU UUUUUUUUUUUUUU UUUUUUUUUUUUUU UUUUUUUUUUUUUU						
27				1602-321-002-00	SHAFT, PTO	1			UUUUUUUUUUUUUU UUUUUUUUUUUUUU		UUUUUUUUUUUUUU UUUUUUUUUUUUUU UUUUUUUUUUUUUU UUUUUUUUUUUUUU						
28				1602-205-047-00	COLLAR/20X44X05	1			UUUUUUUUUUUUUU UUUUUUUUUUUUUU		UUUUUUUUUUUUUU UUUUUUUUUUUUUU UUUUUUUUUUUUUU UUUUUUUUUUUUUU						
29				1602-321-003-00	GEAR/23 15T	1			UUUUUUUUUUUUUU UUUUUUUUUUUUUU		UUUUUUUUUUUUUU UUUUUUUUUUUUUU UUUUUUUUUUUUUU UUUUUUUUUUUUUU						
30				1602-321-200-00	CLUTCH CAM ASSY	1			UUUUUUUUUUUUUU UUUUUUUUUUUUUU		UUUUUUUUUUUUUU UUUUUUUUUUUUUU UUUUUUUUUUUUUU UUUUUUUUUUUUUU						
31				V704-140-025-00	RING, SHAP/25 C	1			UUUUUUUUUUUUUU UUUUUUUUUUUUUU		UUUUUUUUUUUUUU UUUUUUUUUUUUUU UUUUUUUUUUUUUU UUUUUUUUUUUUUU						
32				V607-110-620-40	BEARING, RB/6204NR	1			UUUUUUUUUUUUUU UUUUUUUUUUUUUU		UUUUUUUUUUUUUU UUUUUUUUUUUUUU UUUUUUUUUUUUUU UUUUUUUUUUUUUU						
33				V654-422-272-60	BEARING, NR/KT222726	2			UUUUUUUUUUUUUU UUUUUUUUUUUUUU		UUUUUUUUUUUUUU UUUUUUUUUUUUUU UUUUUUUUUUUUUU UUUUUUUUUUUUUU						
34				V600-110-620-40	BEARING, RB/6204	1			UUUUUUUUUUUUUU UUUUUUUUUUUUUU		UUUUUUUUUUUUUU UUUUUUUUUUUUUU UUUUUUUUUUUUUU UUUUUUUUUUUUUU						

TU318FE



T0318F

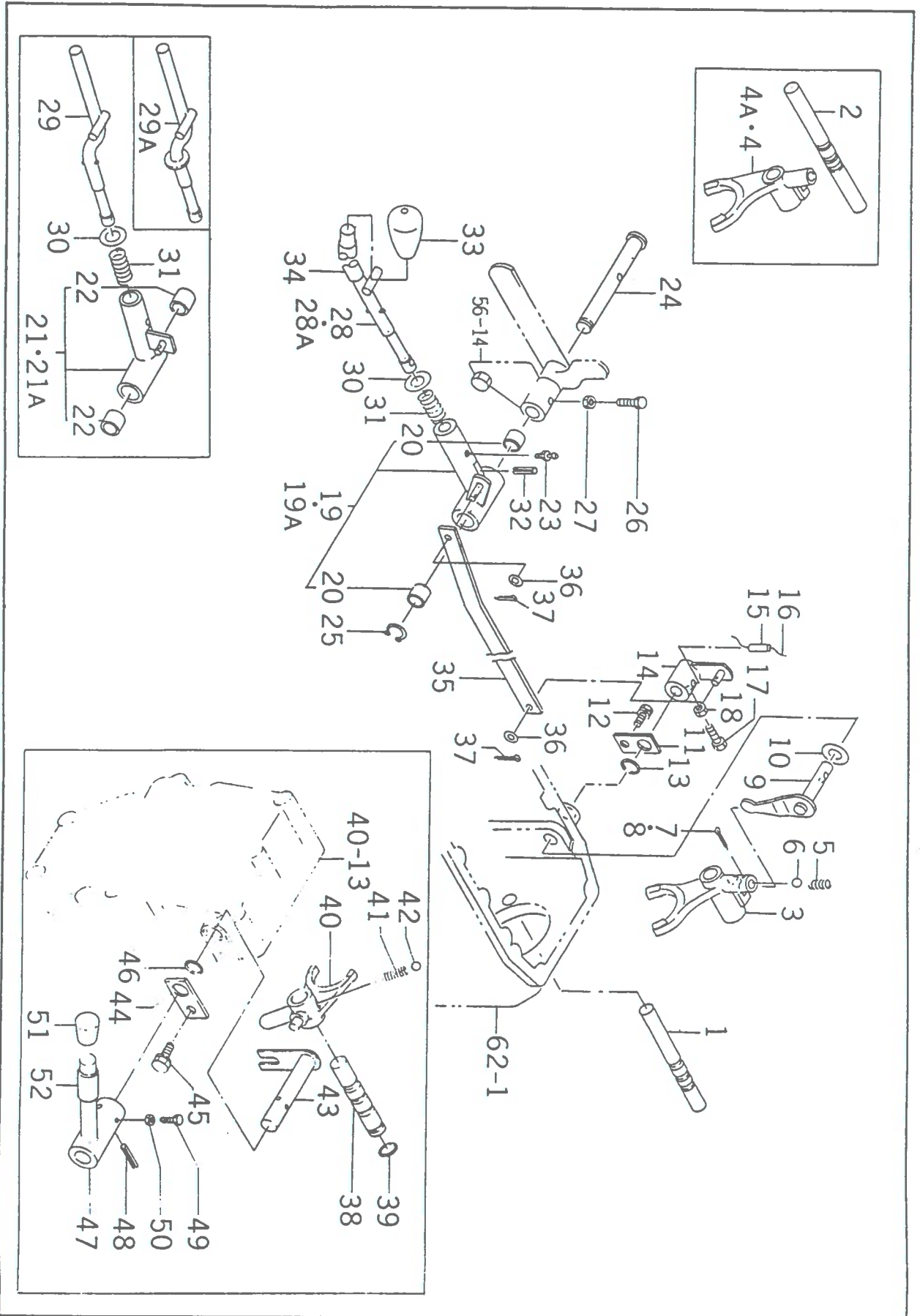
FIG # 73

P. 158

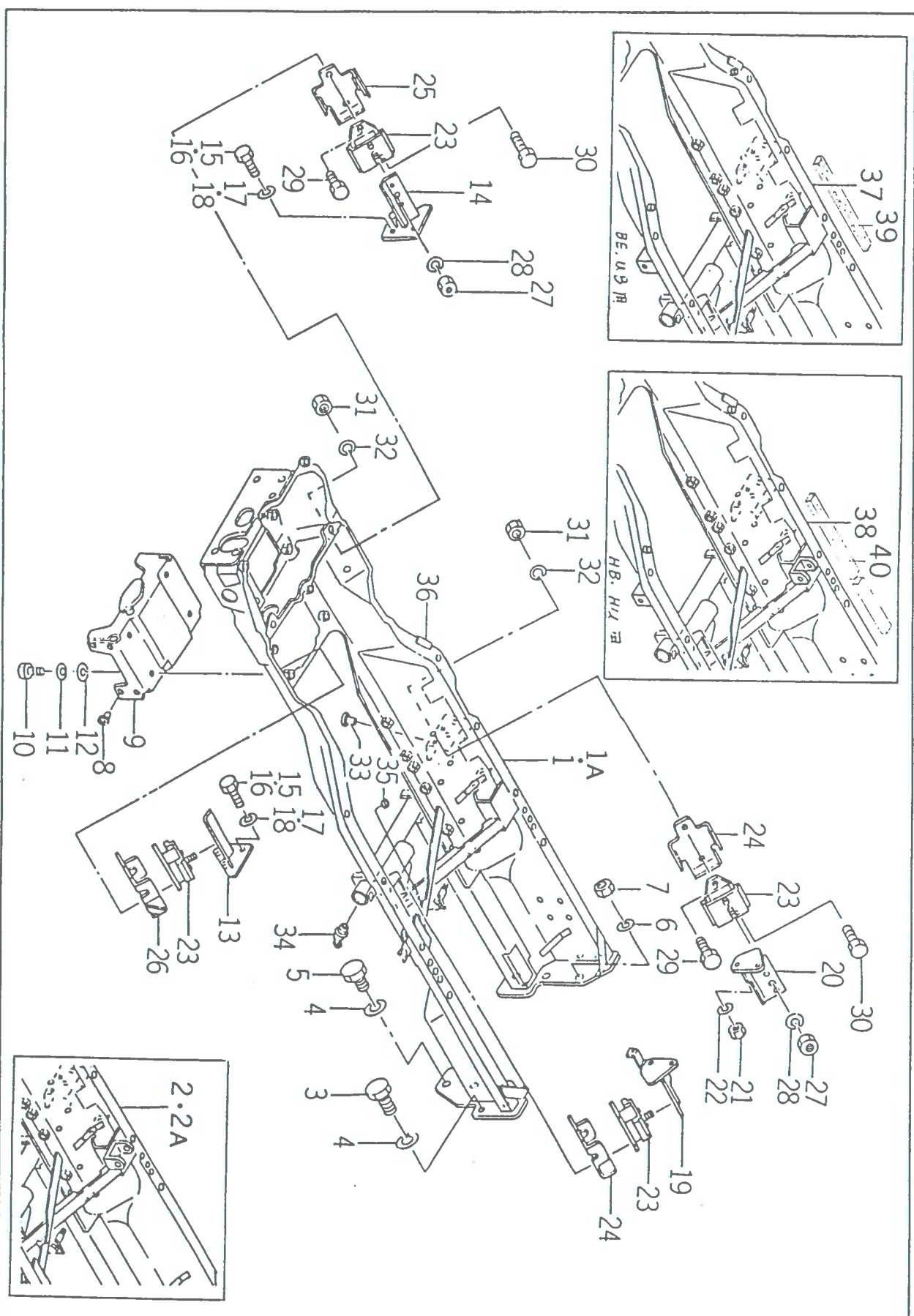
KEY#	S C P H C	PART CODE	DESCRIPTION	Q I S T T Y C	FROM	UPTO	REMARKS
1		1602-325-001-00	STAY, SHIFT/PTO	1			
2		1602-325-051-00	STAY, SHIFT/PTO	1			
3		1602-325-002-00	FORK, SHIFT/PTO	1		91	
4		1602-325-052-00	FORK, SHIFT/PTO	1			
4A		1602-325-052-10	FORK, SHIFT/PTO	1			
5		1507-307-003-00	SPRING, SHIFTER	1			
6		V680-200-001-00	BALL, STEEL/5/16	1			
7		V500-162-002-50	PIN, SPLIT/2 X25	1			
8		V500-162-502-50	PIN, SPLIT/2.5X25	1			
9		1602-326-200-00	ARM, SHIFT/PTO, COMP	1			
10		V411-260-014-00	WASHER, PL/M14	1			
11		1544-218-002-00	PLATE	1			
12		V211-260-801-60	BOLT, SEMS/M8X16	1			
13		V720-102-401-40	O-RING/P14	1			
14		1602-326-230-00	ARM COMP	1			
15		V580-140-502-50	PIN, SPRING/5X25 W	1			
16		V590-131-007-00	WIRE/1.0X70	1			
17		1403-209-006-00	BOLT	1			
18		V304-260-008-00	NUT/M8	1			
19		1602-326-210-00	ARM, PTO SET	1		79	
19A		1602-326-210-10	ARM, PTO SET	1			
20		3640-111-001-00	METAL, TENSION ARM SET	2	80		
21		1602-326-580-00	ARM, PTO SET	1			
21A		1602-326-580-10	ARM, PTO SET	1			
22		3640-111-001-00	METAL, TENSION ARM SET	2			
23		V762-150-000-00	NIPPLE, GREASE/B-M6F	1			
24		1575-326-001-00	PIN/16X134	1			
25		V704-140-016-00	RING, SNAP/16 C	1			
26		1403-209-006-00	BOLT	1			
27		V304-260-008-00	NUT/M8	1			
28		1602-326-240-20	LEVER, PTO COMP	1			
28A		1602-326-240-30	LEVER, PTO COMP	1			
29		1602-326-560-20	LEVER, PTO COMP	1			
29A		1602-326-560-30	LEVER, PTO COMP	1			
30		V411-260-012-00	WASHER /M12	1			
31		1364-403-005-10	SPRING, PRESSURE/32	1			
32		V580-140-502-50	PIN, SPRING/5X25 W	1			
33		1544-219-005-00	KNOB, LEVER/12	1			
34		1544-218-005-00	TUBE/60	1			
35		1602-326-001-00	PLATE	1			
36		V411-260-008-00	WASHER, PL/M 8	2			
37		V500-162-502-00	PIN, SPLIT/2.5X20	2			
38		1602-325-041-00	STAY, SHIFT/GRAND	1			
39		V720-102-401-00	O-RING/P10A	1			
40		1602-325-042-00	FURK, SHIFT/GRAND	1			

KEY#	S C P H C	PART CODE	DESCRIPTION	Q I S T T Y C	FROM	UPTO	REMARKS
1		1602-325-001-00	STAY, SHIFT/PTO	1			
2		1602-325-051-00	STAY, SHIFT/PTO	1			
3		1602-325-002-00	FORK, SHIFT/PTO	1		91	
4		1602-325-052-00	FORK, SHIFT/PTO	1			
4A		1602-325-052-10	FORK, SHIFT/PTO	1			
5		1507-307-003-00	SPRING, SHIFTER	1			
6		V680-200-001-00	BALL, STEEL/5/16	1			
7		V500-162-002-50	PIN, SPLIT/2 X25	1			
8		V500-162-502-50	PIN, SPLIT/2.5X25	1			
9		1602-326-200-00	ARM, SHIFT/PTO, COMP	1			
10		V411-260-014-00	WASHER, PL/M14	1			
11		1544-218-002-00	PLATE	1			
12		V211-260-801-60	BOLT, SEMS/M8X16	1			
13		V720-102-401-40	O-RING/P14	1			
14		1602-326-230-00	ARM COMP	1			
15		V580-140-502-50	PIN, SPRING/5X25 W	1			
16		V590-131-007-00	WIRE/1.0X70	1			
17		1403-209-006-00	BOLT	1			
18		V304-260-008-00	NUT/M8	1			
19		1602-326-210-00	ARM, PTO SET	1		79	
19A		1602-326-210-10	ARM, PTO SET	1			
20		3640-111-001-00	METAL, TENSION ARM SET	2	80		
21		1602-326-580-00	ARM, PTO SET	1			
21A		1602-326-580-10	ARM, PTO SET	1			
22		3640-111-001-00	METAL, TENSION ARM SET	2			
23		V762-150-000-00	NIPPLE, GREASE/B-M6F	1			
24		1575-326-001-00	PIN/16X134	1			
25		V704-140-016-00	RING, SNAP/16 C	1			
26		1403-209-006-00	BOLT	1			
27		V304-260-008-00	NUT/M8	1			
28		1602-326-240-20	LEVER, PTO COMP	1			
28A		1602-326-240-30	LEVER, PTO COMP	1			
29		1602-326-560-20	LEVER, PTO COMP	1			
29A		1602-326-560-30	LEVER, PTO COMP	1			
30		V411-260-012-00	WASHER /M12	1			
31		1364-403-005-10	SPRING, PRESSURE/32	1			
32		V580-140-502-50	PIN, SPRING/5X25 W	1			
33		1544-219-005-00	KNOB, LEVER/12	1			
34		1544-218-005-00	TUBE/60	1			
35		1602-326-001-00	PLATE	1			
36		V411-260-008-00	WASHER, PL/M 8	2			
37		V500-162-502-00	PIN, SPLIT/2.5X20	2			
38		1602-325-041-00	STAY, SHIFT/GRAND	1			
39		V720-102-401-00	O-RING/P10A	1			
40		1602-325-042-00	FURK, SHIFT/GRAND	1			

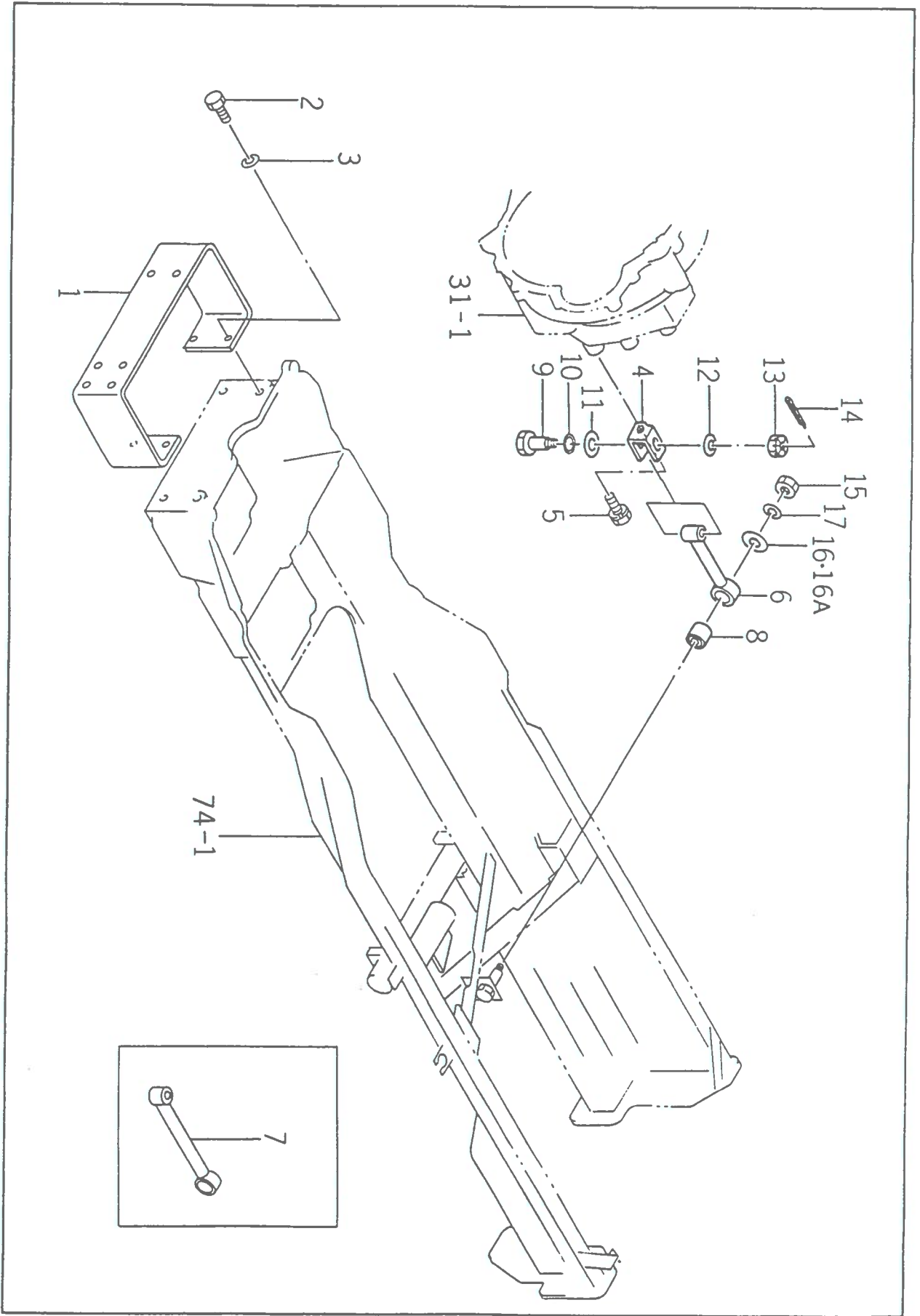
TU318FE

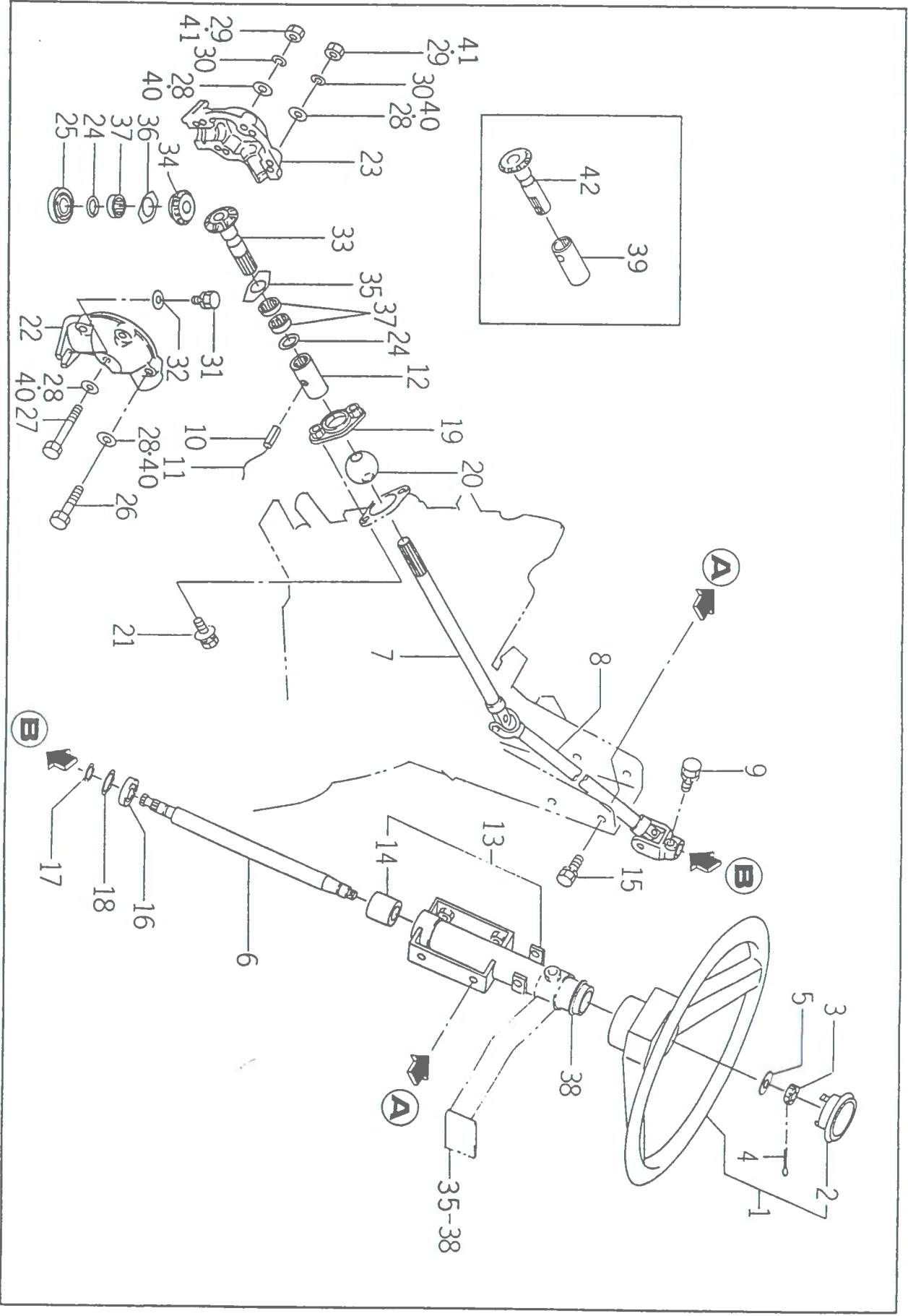


TU318FE



TU318FE





TU318F

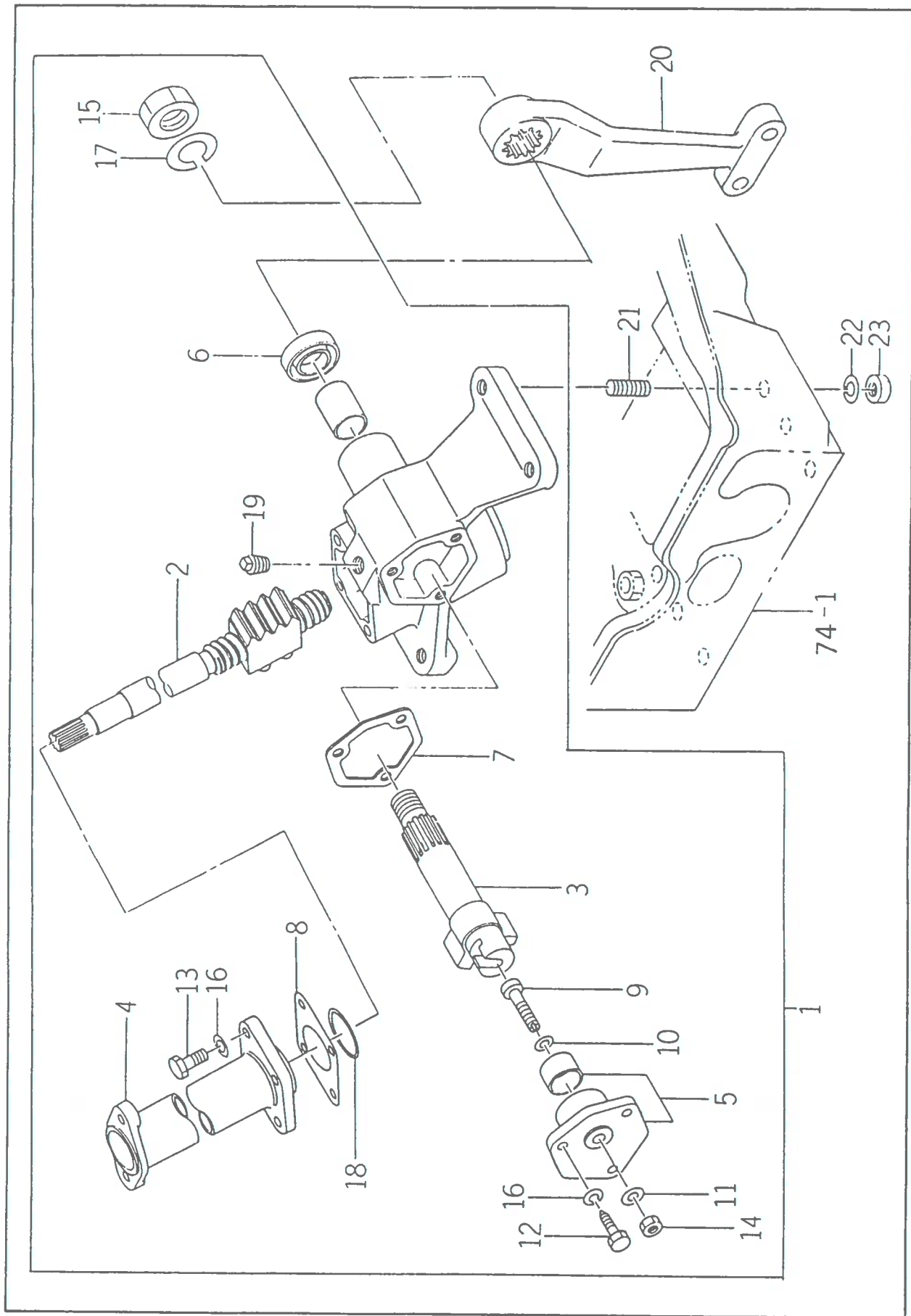
FIG #

76

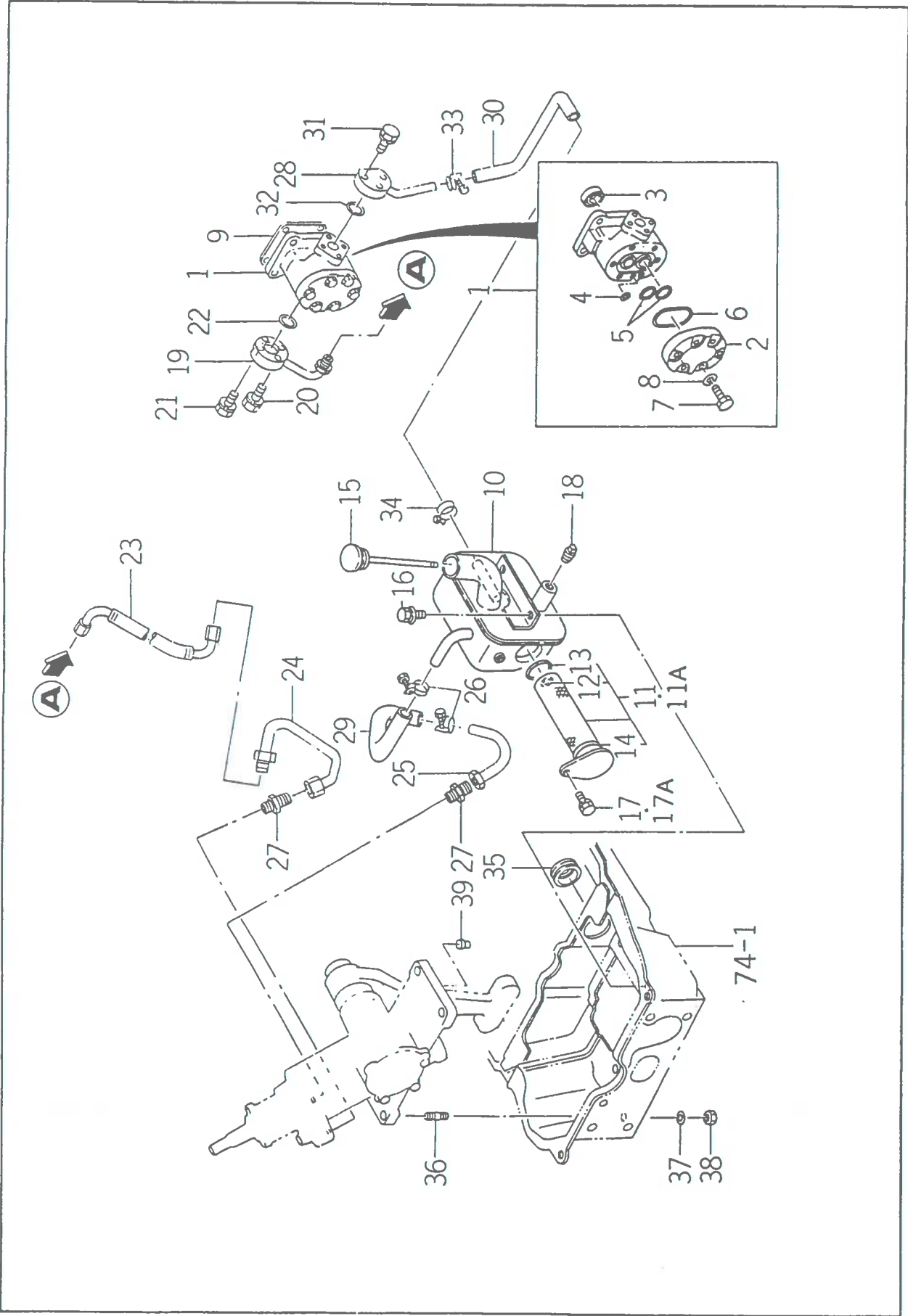
P. 166

KEY#	S P H C	C G	PART CODE	DESCRIPTION	Q I S	T T C	Y C C	FROM	UPTO	REMARKS
1			2142-331-210-00	STEERING, WHEEL ASSY	1	1				
2			2142-331-212-00	CAP, STEERING	1	2				
3			V328-262-110-00	NUT/M10X1.25	1					
4			V500-162-002-50	PIN, SPLIT/2 X25	1					
5			V411-260-010-00	WASHER/M10	1					
6			1600-406-001-00	SHAFT, STEERING	1					
7			1600-406-211-00	SHAFT, FRONT	1					
8			1600-406-212-00	SHAFT, REAR	1					
9			V211-560-802-50	BOLT, SEMS/M8X25 7T	2					
10			V580-140-602-50	PIN, SPRING/6 X25 W	1					
11				WIRE/I, OX120	1	A				
12			1575-406-001-10	RING, CUP/16X24X56	1					
13			1600-406-230-00	HOLDER, SHAFT ASSY	1	1				
14			1429-406-205-00	BUSH	1	2				
15			V211-260-802-00	BOLT, SEMS (S)	4					
16			V600-150-600-30	BEARING, RB/6003SS	1					
17			V704-140-017-00	RING, SNAP/17 C	1					
18			V705-140-035-00	RING, CIRCLIP	1					
19			1432-406-330-00	BALL CAP	1					
20			1432-406-008-00	BALL	1					
21			V211-360-801-60	BOLT, SEMS (SP)	2					
22			1544-406-002-00	CASE, BEVEL L	1					
23			1544-406-003-00	CASE, BEVEL R	1					
24			V720-102-401-80	O-RING/P18	1					
25			1550-406-004-00	SEAL, OIL	1					
26			V201-260-804-50	BOLT/M 8X45	3					
27			V201-260-807-00	BOLT/M 8X70	8					
28			V411-260-008-00	WASHER, PL/M 8	4					
29			V304-260-008-00	NUT/M 8	4					
30			V401-160-008-00	WASHER, SP/M 8	4					
31			V211-560-802-50	BOLT, SEMS/M8X25 7T	2					
32			4101-102-038-00	WASHER/24X9X3.2	1					
33			1550-406-220-10	GEAR, BEVEL/14	1					
34			1544-406-005-00	GEAR, BEVEL/16	1					
35			1544-406-006-10	COLLAR, THRUST/A	1					
36			1544-406-007-00	COLLAR, THRUST/B	1					
37			V653-418-241-20	NEEDLE	3					
38			1600-406-002-00	COVER	1					
39			1600-406-070-00	COUPLING/16X24X56	1					
40			V411-260-008-00	WASHER, PL/M 8	8					
41			V304-260-008-00	NUT/M 8	4					
42			1600-406-071-00	GEAR/14T	1					

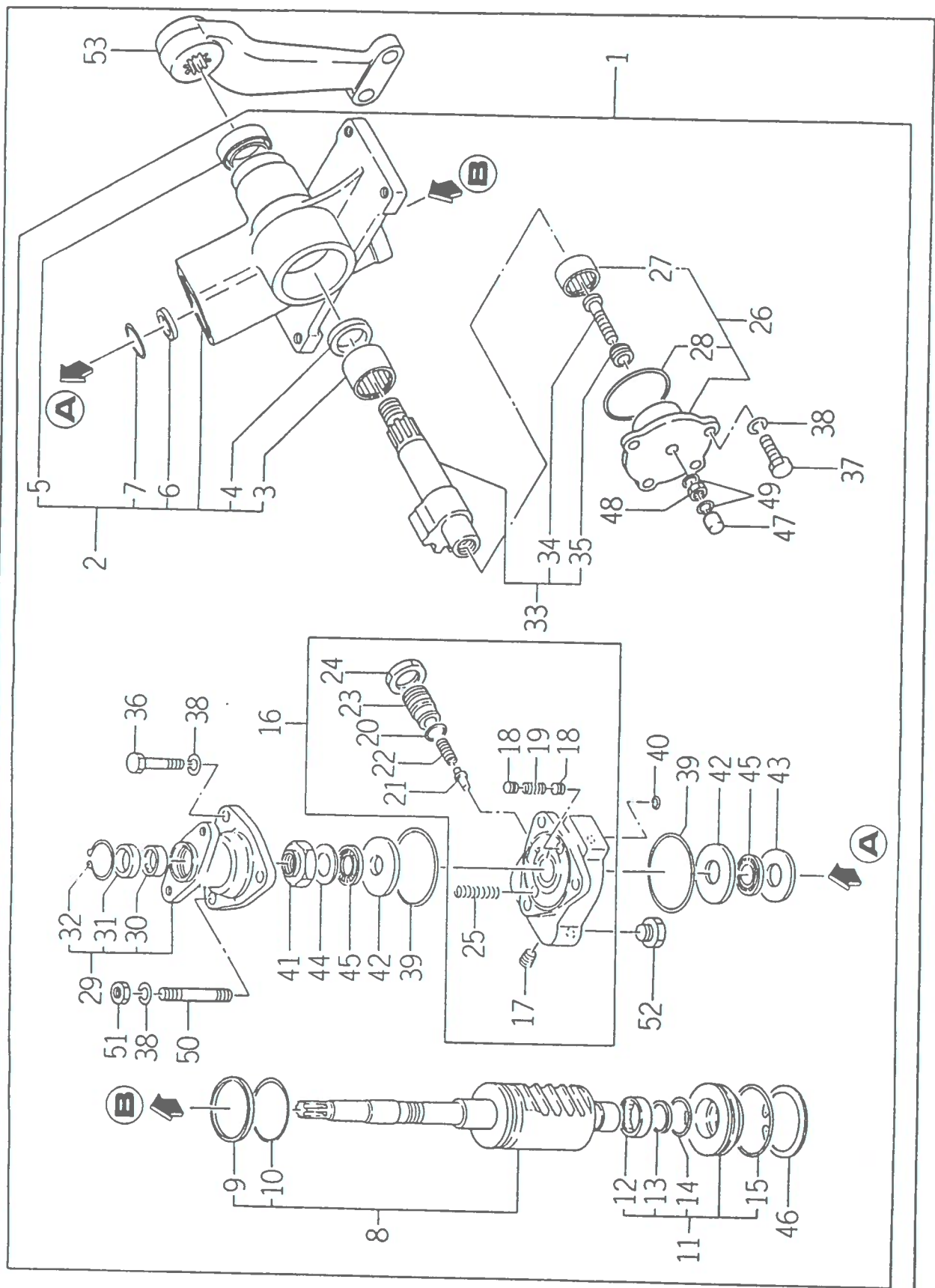
TU318FE



TU318FE



KEY#	S C P H C G	PART CODE	DESCRIPTION	Q I S T Y C	FROM	UPTO	REMARKS
1		K135-020-000-00	PUMP, GEAR ASSY	1			
2		K135-017-006-00	COVER, PUMP	1			
3		V744-114-280-70	SEAL, OIL	1			
4		V721-113 105-00	U-RING HS90 G50	1			
5		V720-112 402-20	U-RING/P22	4			
6		V720-111 900-60	U-RING P6 HS90	1			
7		K135-002-009-00	BOLT/M8X28 11T	6			
8		V401-140-008-00	WASHER, SPRING/M8	6			
9		I404 503-006-00	PACKING, OIL PUMP	1			
10		I576-408-200-00	TANK, OIL CUMP	1			
11		I488-408-330-10	FILTER, SUCTION ASSY	1	126	125	
11A		I564-407-220-00	FILTER, SUCTION ASSY	1			
12		V720-102-401-20	U-RING/P12	1			
13		V720-103-503-10	U-RING P31	1			
14		V730-103-703-10	RING/P31	1			
15		I444-408-005-10	GAUGE, LEVEL/POWER ST	1			
16		V211-360 801-60	BOLT, SEMS (SP)	2			
17		V210-260-601-20	BOLT, SEMS	1			
17A		V210-360-601-60	BOLT(SP)/M6X16	1			
18		V781-100-000-40	PLUG/PTI/4	1	126	125	
19		I600-408-210-00	PIPE, OIL COMP	1			
20		V210-260-602-50	BOLT, S/M6X25	3			
21		V210-260-601-60	BOLT, SEMS (S)	1			
22		V720-112-402-00	U-RING/P20	1			
23		I600-408-220-00	WISE, OIL ASSY	1			
24		I600-408-240-00	PIPE, OIL CUMP	1			
25		I550-408-270-00	PIPE, SUCTIONA CUMP	1			
26		I513-408-004-00	CLAMP, HOSE (22)	2			
27		I426-506-002-0*	CONNECTOR MIRROR BLACK	2			
28		I600-408-230-00	PIPE, OIL COMP	1			
29		I576-408-001-00	HOSE, OIL	1			
30		I600-408-001-00	HOSE, OIL	1			
31		V210-260-602-50	BOLT, S/M6X25	3			
32		V720-112 402-00	U-RING/P20	1			
33		I513-408-004-00	CLAMP, HOSE (22)	1			
34		3748-185-003-00	BAND, JUBLEE/18.5	1			
35		I588-401-002-00	INSULATOR	1			
36		V251-341-002-00	BOLT/M10X20	4			
37		V401-160-010-00	WASHER, SP/M10	4			
38		V304-460-010-00	NUT/M10	4			
39		7963-201-003-00	PIN, KNOK	2			



TU318F

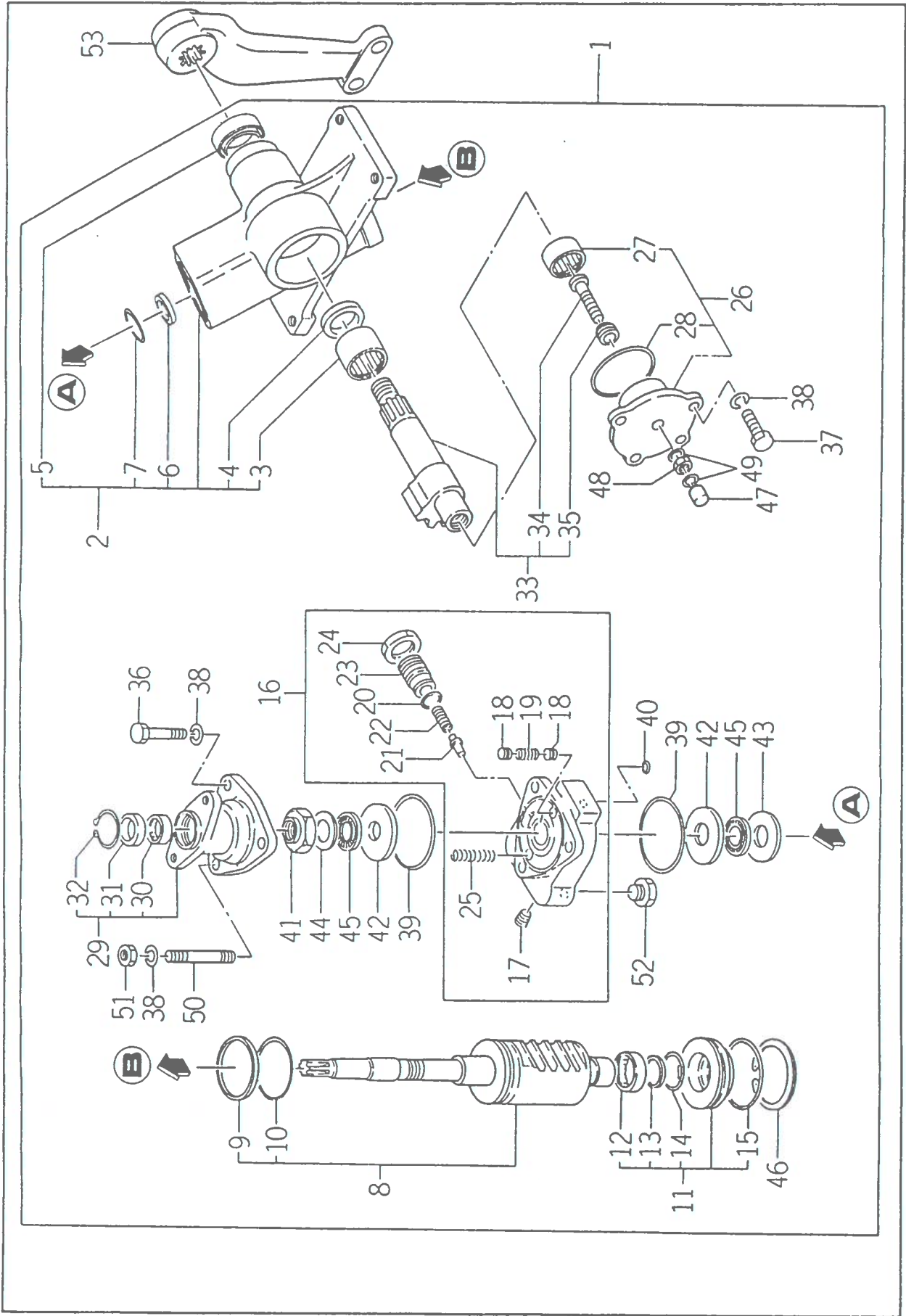
FIG #

79

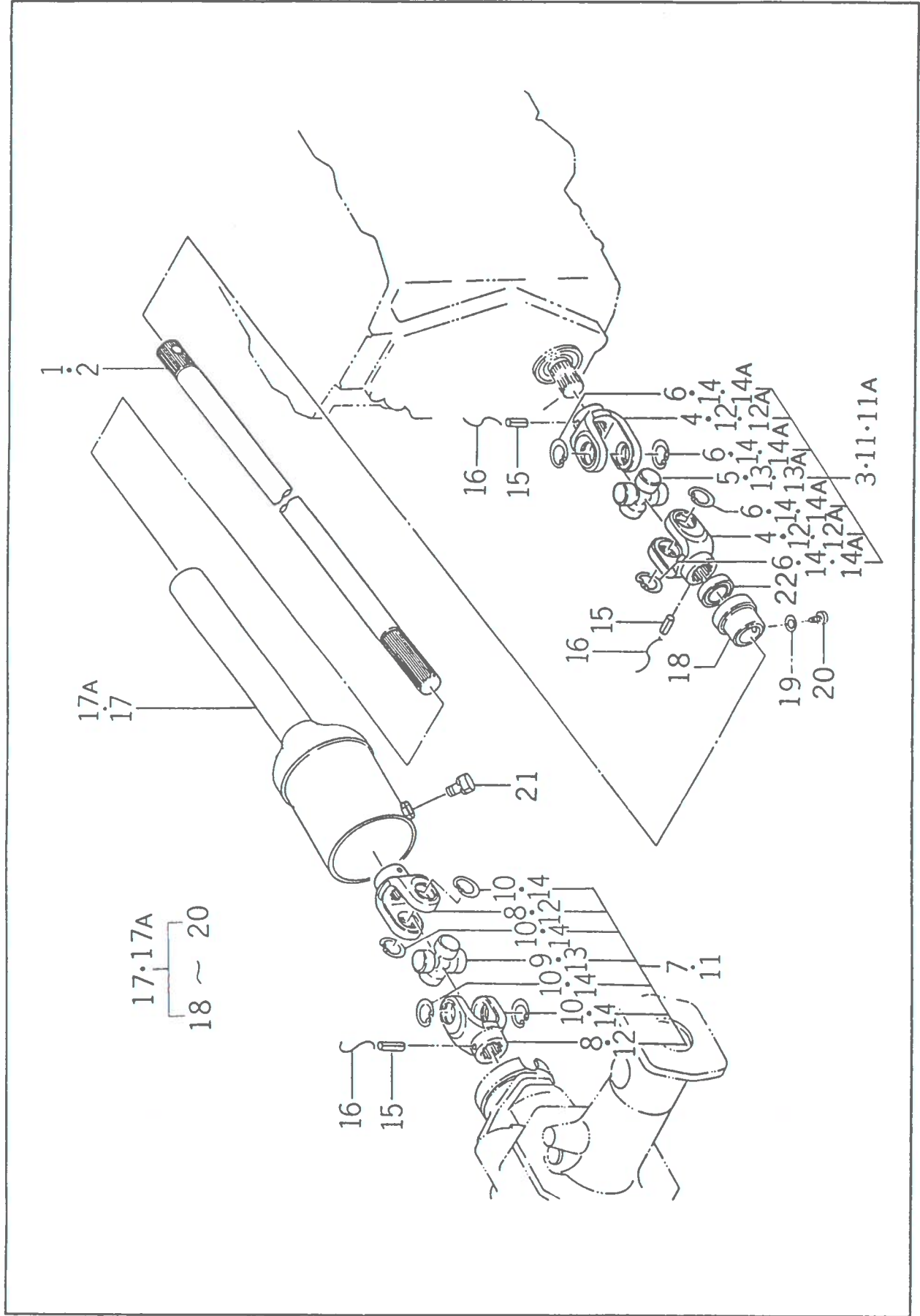
P. 172

KEY#	S C	P H C	G	PART CODE	DESCRIPTION	Q T Y	J T Y	S C	Q T Y	I T C	REMARKS
1				1588-408-210-00	STEERING, POWER ASSY	1	1				
2				1550-408-230-00	CASE, GEAR ASSY	1	2				
3				N.R.B		1	A				
4				1550-408-233-00	PACKING, U	1	A				
5				1550-408-234-00	SEAL, OIL	1	3				
6					RING	1	A				
7					O-RING	1	A				
8				1550-408-300-00	NUT, BALL ASSY	1	2				
9					SEAL, SLIPPER	1	A				
10					O-RING	1	A				
11				1550-408-310-00	COVER, FRONT ASSY	1	2				
12					N.R.B	1	A				
13					RING	1	A				
14					O-RING	1	A				
15					O-RING	1	A				
16				1550-408-320-10	HOUSING, BULB ASSY	1	2				
17				1550-408-321-00	PLUG, PT1/8	2	3				
18					PISTON	4	A				
19					SPRING, COIL	2	A				
20					O-RING	1	A				
21					POPET	1	A				
22				1444-408-312-00	SPRING, COIL	1	3				
23					BOLT	1	A				
24					NUT	1	A				
25				1550-408-327-00	SPRING, COIL	2	3				
26				1588-408-230-00	COVER, SIDE ASSY	1	2				
27					N.R.B	1	A				
28					O-RING	1	A				
29				1550-408-340-00	COVER, REAR ASSY	1	2				
30					N.R.B	1	A				
31				1550-408-343-00	SEAL, OIL	1	3				
32				1550-408-344-00	RING, SNAP	1	2				
33				1550-408-350-00	SHAFT, SECTOR ASSY	1	2				
34					SCREW, ADJUST	1	A				
35					ADJUSTER	1	A				
36				1550-408-211-00	BOLT	2	2				
37				1550-408-212-00	BOLT	4	2				
38				V401-160-010-00	WASHER, SP/M10	7	2				
39				1550-408-213-00	O-RING	2	2				
40				V720-101-900-80	O-RING/P 8	2	2				
41				1426-426-306-00	NUT, LOCK	1	2				
42				1550-408-214-00	COLLAR	2	2				
43				1444-408-325-00	COLLAR	1	1				
44				1550-408-215-00	COLLAR	1	2				
45				1550-408-216-00	N.R.B	1	2				

TU318FE



TU318FE



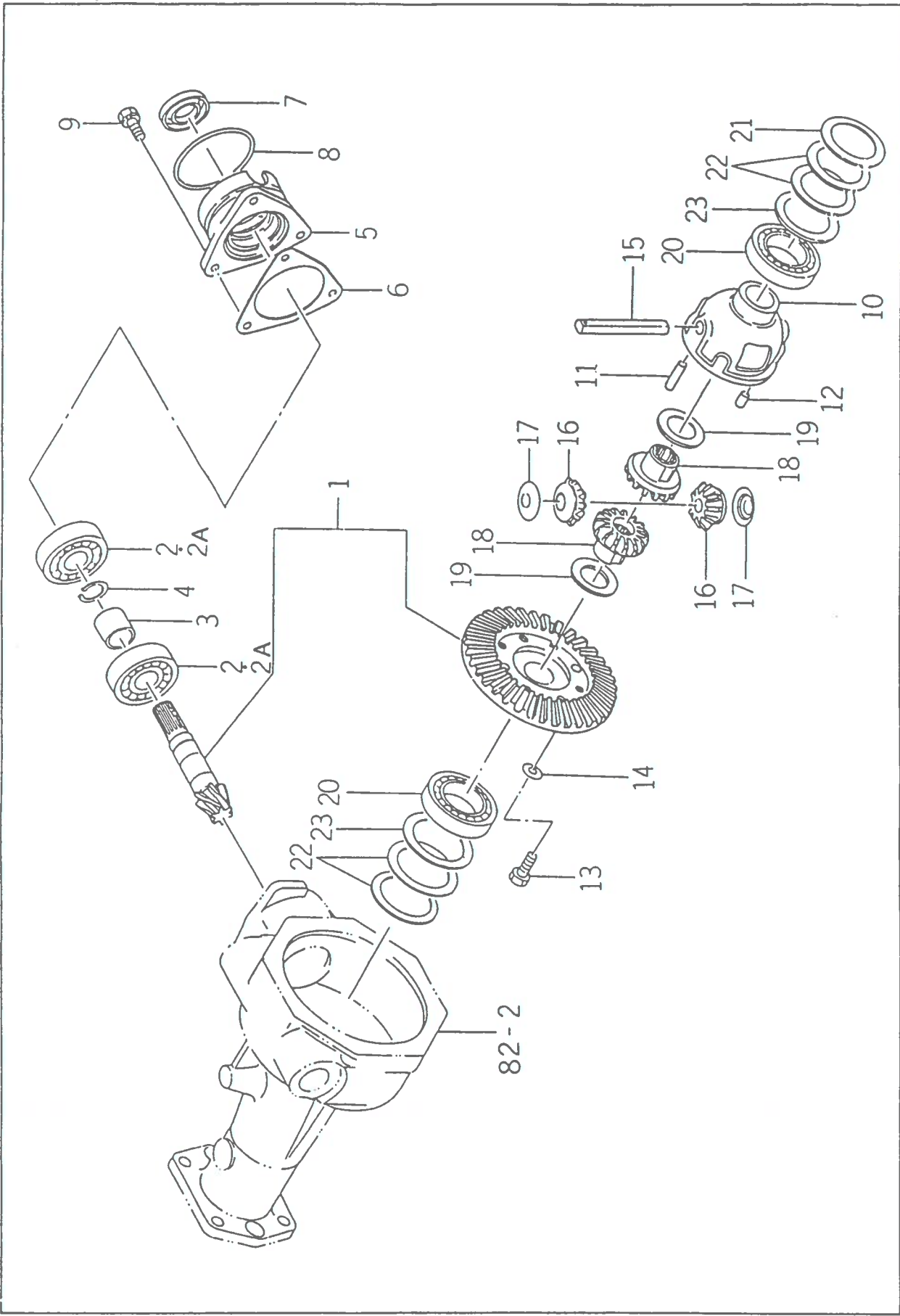
TU318F

FIG # 80

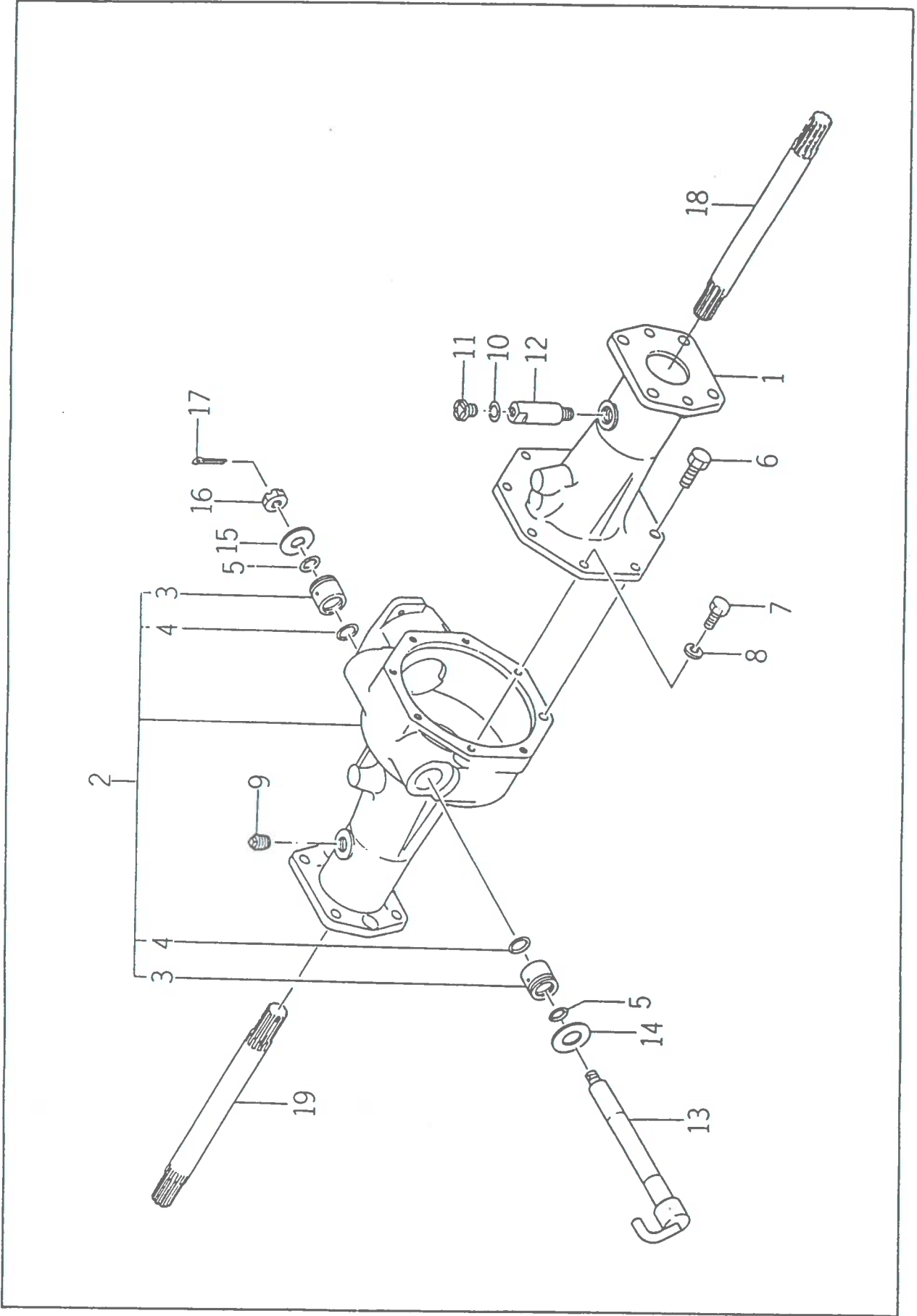
P. 176

KEY#	S C P H C G	PART CODE	DESCRIPTION	Q I S T T Y C	UNIT	QTY	UNIT PRICE	TOTAL PRICE	REMARKS
1		1602-431-001-00	SHAFT, DRIVE	1		00000000	00		
2		1602-431-052-00	SHAFT, DRIVE	1		00000000	00		
3		1427-431-220-0*	JOINT, B ASSY	1		00000000	00		
4		1427-431-011-0*	MIRROR BLACK	2		00000000	00		
5		1427-431-009-00	YOKE, SPLINE B	1		00000000	00		
6		V705-140-020-00	MIRROR BLACK	2		00000000	00		
7		1427-431-210-0*	JOINT, CROSS	4		00000000	00		
8		1427-431-011-0*	RING, SNAP/20 C	1		00000000	00		
9		1427-431-220-0*	JOINT, B ASSY	2		00000000	00		
10		1427-431-220-0*	MIRROR BLACK	1		00000000	00		
11		1427-431-220-0*	JOINT, B ASSY	1		00000000	00		
11A		1427-431-220-0*	MIRROR BLACK	4		00000000	00		
12		1427-431-011-0*	YOKE, SPLINE B	2		00000000	00		
12A		1427-431-011-0*	MIRROR BLACK	2		00000000	00		
13		1427-431-009-00	JOINT, CROSS	2		00000000	00		
13A		1427-433-201-00	YOKE, SPLINE B	2		00000000	00		
14		V705-140-020-00	JOINT, CROSS	8		00000000	00		
14A		V705-140-020-00	RING, SNAP/20 C	4		00000000	00		
15		V580-140-603-20	RING, SNAP/20 C	3		00000000	00		
16		1600-431-210-00	PIN, SPRING/6 X32 W	3		00000000	00		
17		1600-431-210-00	WIRE/1.0X120	1		00000000	00		
17A		1600-431-520-00	CASE, JOINT COMP ASSY	1		00000000	00		
18		1600-431-002-00	CASE, JOINT	1		00000000	00		
19		V411-260-004-00	BUSH/20X38X26	1		00000000	00		
20		1600-431-003-00	WASHER, PL/M 4	1		00000000	00		
21		V211-260-802-00	SCREW, TAPPING	1		00000000	00		
22		V742-120-320-50	BOLT, SEMS (S)	1		00000000	00		
			SEAL, OIL/VC20325	1		00000000	00		

TU318FE



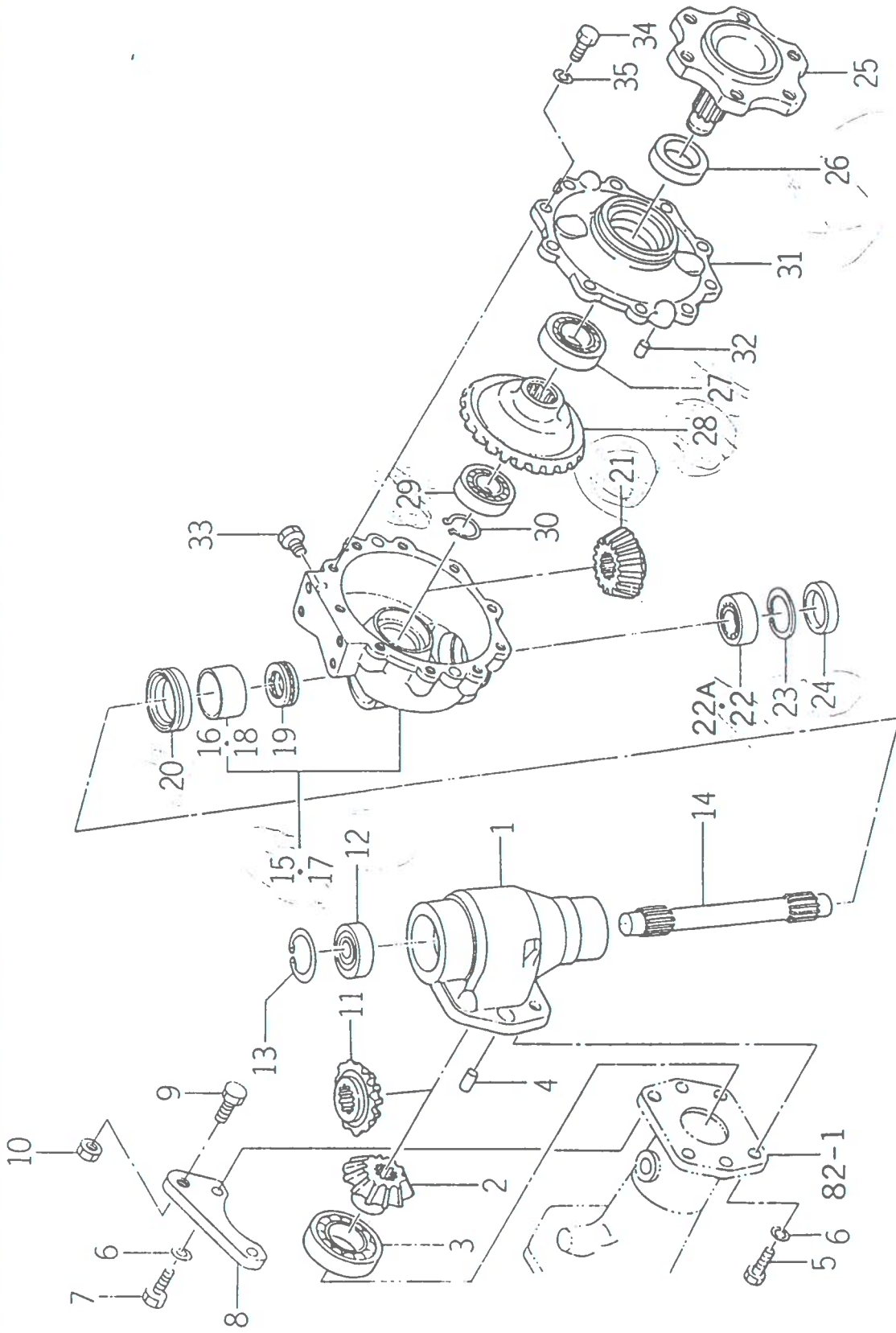
TU318FE



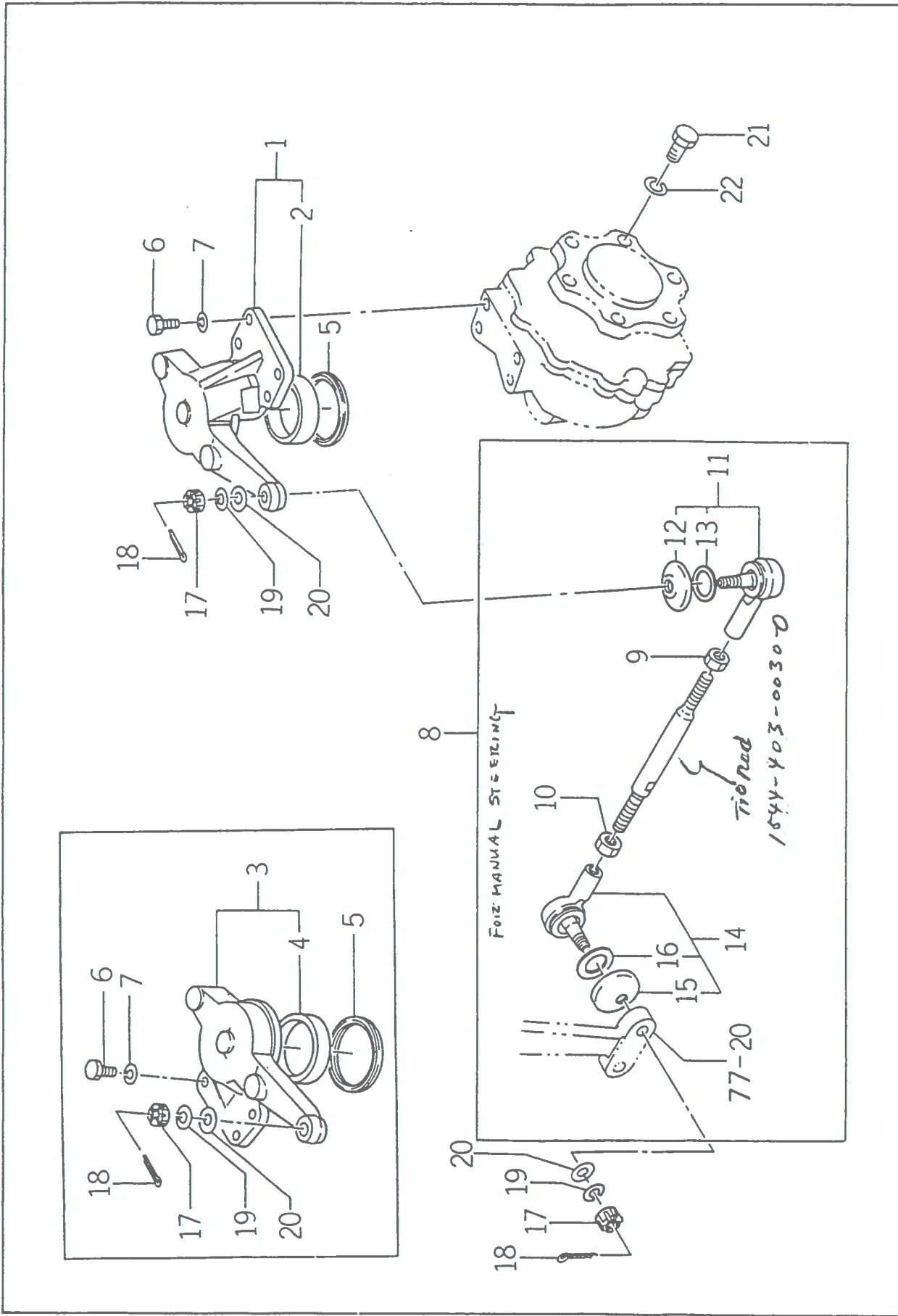
KEY#	S C P N C G	PART CODE	DESCRIPTION	Q I S T Y C C	FROM	UPTO	REMARKS
1	1544-433-001-00	HOUSING, AXKLE. L	1	00000000000000000000000000000000			
2	1544-433-200-20	HOUSING, AXLE/R ASSY	1	00000000000000000000000000000000			
3	1427-431-002-00	BUSH/20X30X26	2	00000000000000000000000000000000			
4	V721-103-102-50	O-RING/G25	2	00000000000000000000000000000000			
5	V720-102-402-00	O-RING/P20	2	00000000000000000000000000000000			
6	1544-433-004-00	BOLT/M10X33	1	00000000000000000000000000000000			
7	V201-360-802-50	BOLT/M 8X25	7	00000000000000000000000000000000			
8	V401-160-008-00	WASHER, SP/M 8	7	00000000000000000000000000000000			
9	V781-100-000-40	PLUG/PT1/4	1	00000000000000000000000000000000			
10	V401-160-010-00	WASHER, SP/M10	1	00000000000000000000000000000000			
11	1491-433-004-00	PLUG, BREATHE 1/4	1	00000000000000000000000000000000			
12	1491-433-007-00	PIPE, BREATHER	1	00000000000000000000000000000000			
13	1575-402-220-00	PIVOT, PIN COMP	1	00000000000000000000000000000000			
14	V411-260-020-00	WASHER/M20	1	00000000000000000000000000000000			
15	1427-431-003-00	WASHER/13X32X3	1	00000000000000000000000000000000			
16	V327-262-112-00	NUT, CASTTLE/M12X1.25	1	00000000000000000000000000000000			
17	V500-163-002-50	PIN, SPLIT/3 X25	1	00000000000000000000000000000000			
18	1544-433-002-00	SHAFT, DRIVE. L	1	00000000000000000000000000000000			
19	1544-433-003-00	SHAFT, DRIVE. R	1	00000000000000000000000000000000			

BEEEEEEEEHHHHHHHHHHMMMMMMMMUUUUUUUUUUUUUUUUUUUU
 EE2244555566EEEEUUUUUUUUUUHHHHHHHHBBBBEEEEEEEEEE
 2212121122112556688EEEEBBUUUUUUUUUUUUUUUUUUUUUUUU
 12 T T 1212EE244566EE2EEEEE2241211211211212
 22212212222445122 G G T T
 22 GG 12 2122 S
 T GG

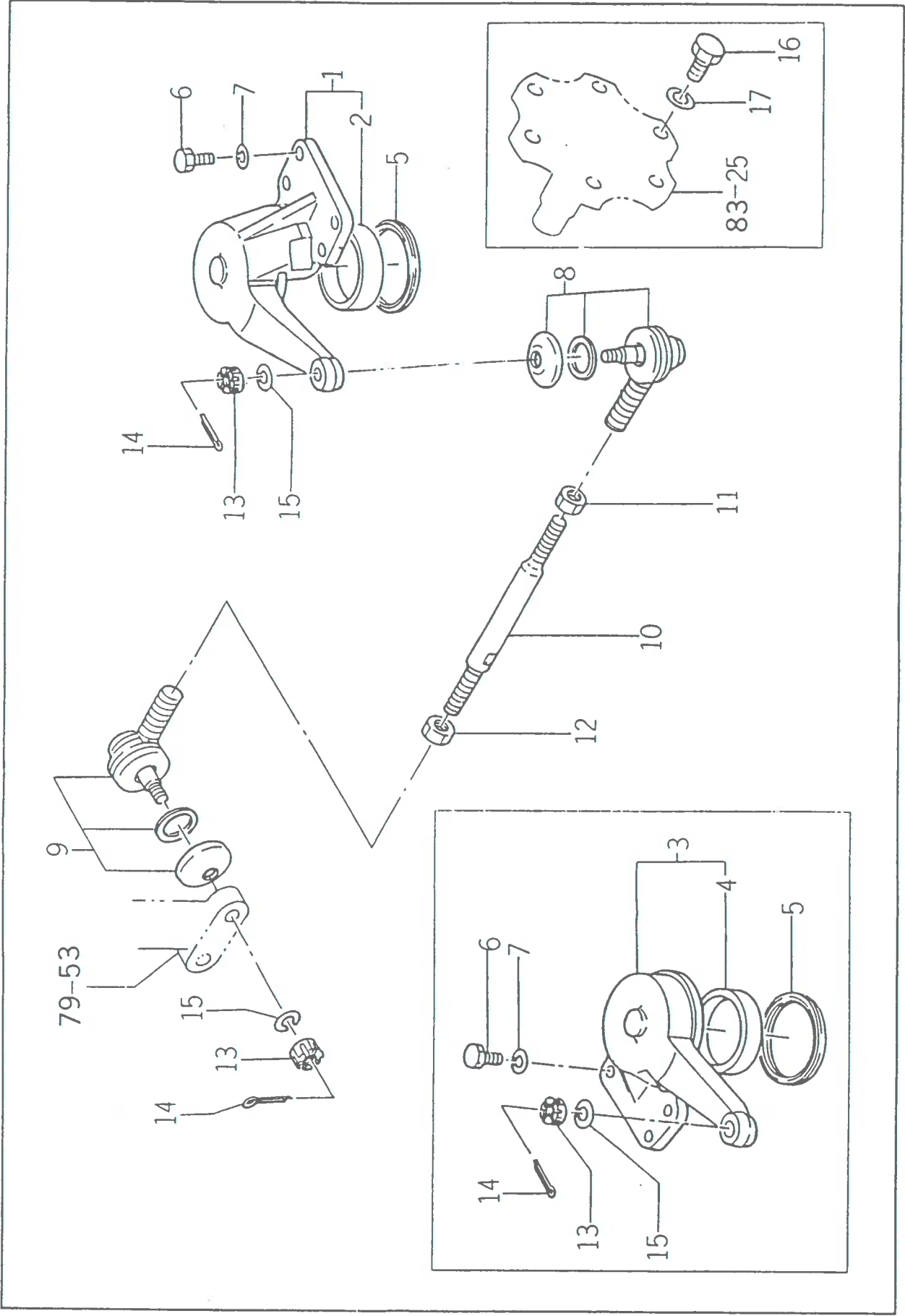
TU318FE



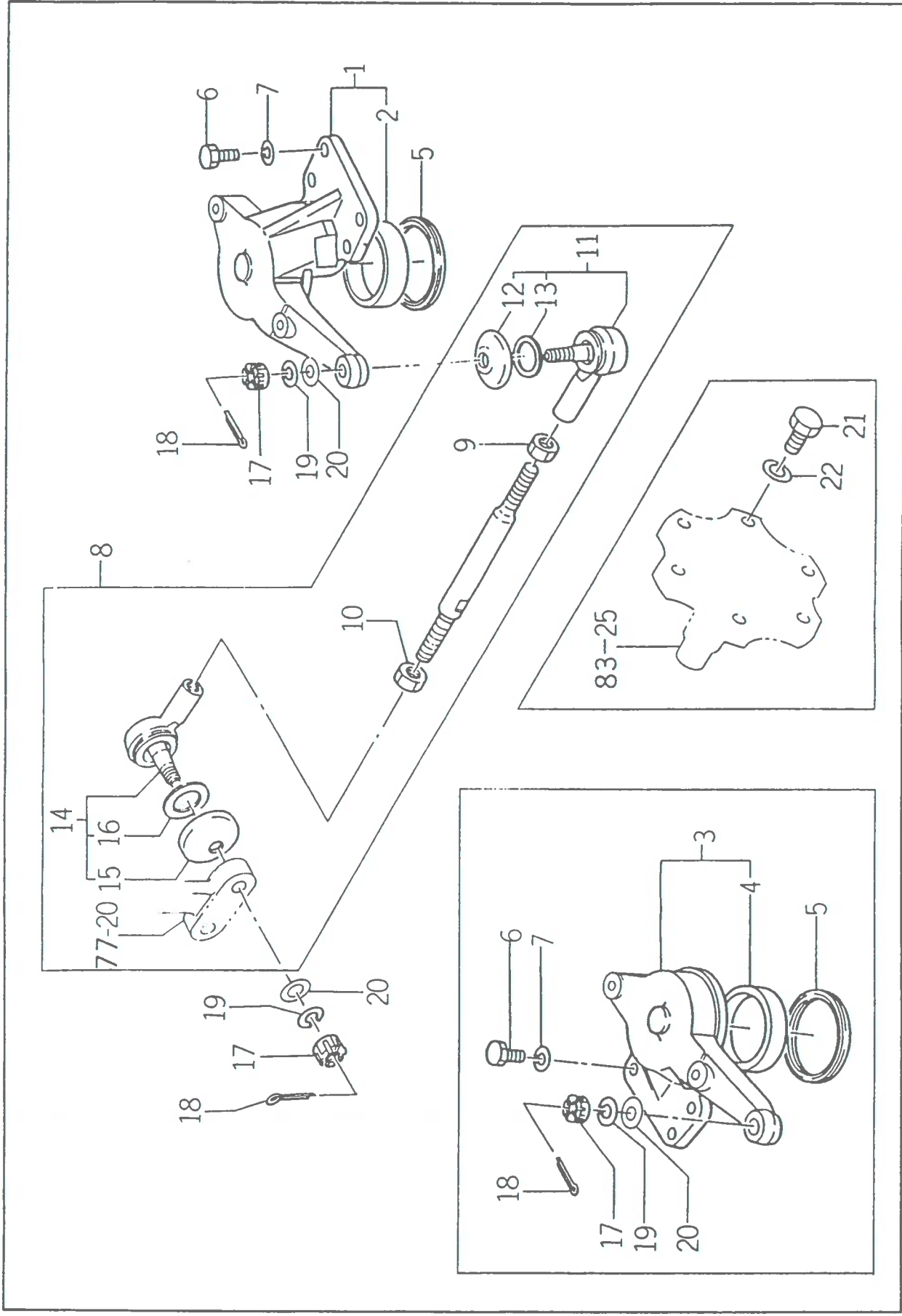
TU318FE



TU318FE



TU318FE



TU318F

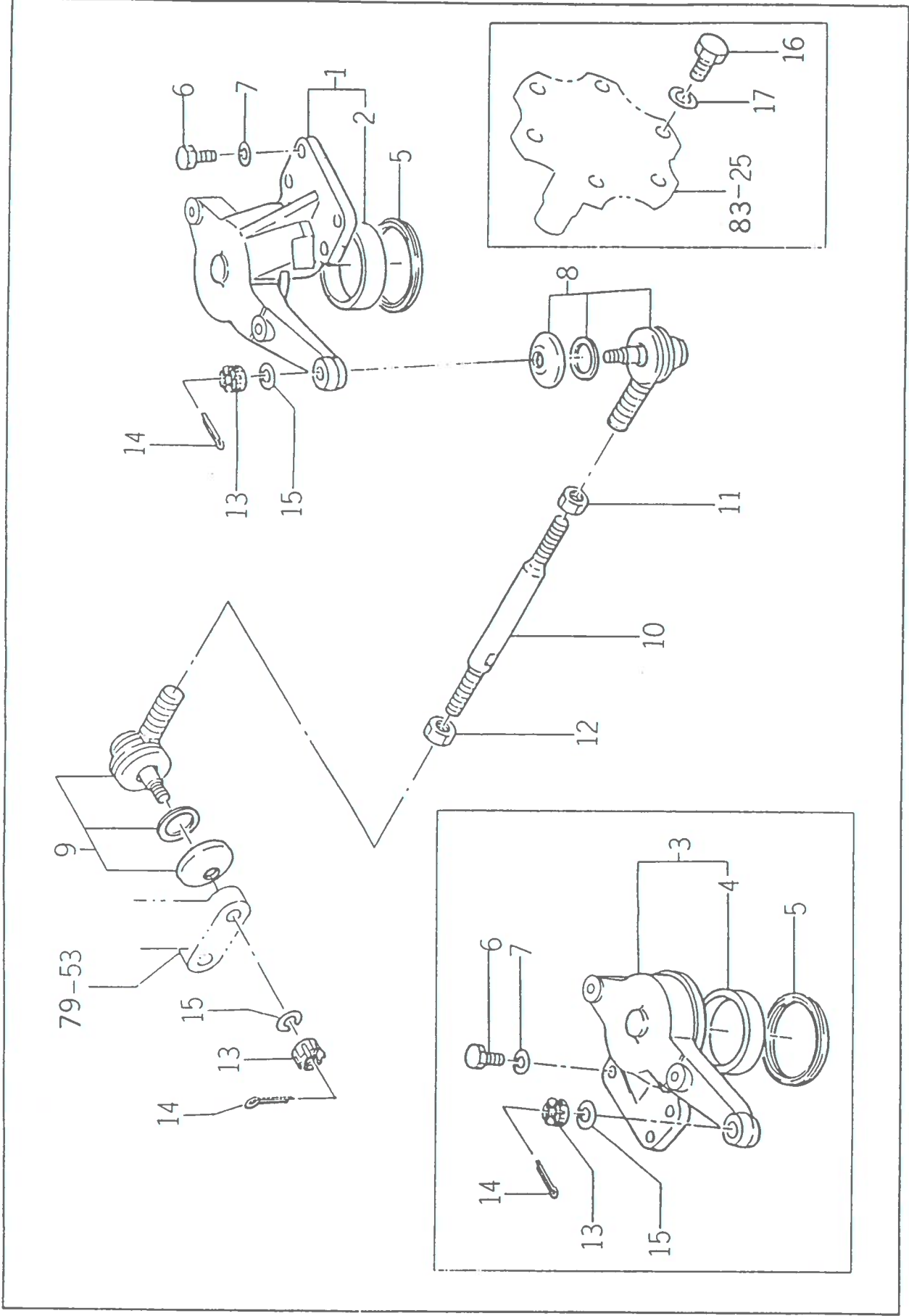
FIG # 86

P. 188

BBEEEEE2221122125566B88EEEEE2244455566
 EE2244555566EEUUUUUUUUUUHHHHHHHHHHBBBBBBBBBBBBUUUUUUUUUUUUUUUU
 12 T T 1212EE244566EE2EE224121211212
 22 GG 12 2122 S
 C

KEY#	S C P H C G	PART CODE	DESCRIPTION	Q T Y	U N I T S C	FROM	UPTO	REMARKS
1		1600-434-220-00	ARM, KNUCKLE/LH/E20	1	1			
2		1480-434-022-00	BUSH /65X70X17	1	2			0000
3		1600-434-230-00	ARM, KNUCKLE/RH/E20	1	1			0000
4		1480-434-022-00	BUSH /65X70X17	1	2			0000
5		1444-412-011-00	X-RING	2	0000			0000
6		V201-361-002-50	BOLT/M10X25	8	0000			0000
7		V401-160-010-00	WASHER, SP/M10	8	0000			0000
8		1544-403-200-00	ROD, TIE ASSY	2	1			0000
9		V332-260-012-00	NUT/M12	2	2			0000
10		1544-403-004-00	NUT/M12X1.25	2	2			0000
11		1544-403-210-00	END, TIE ROD, L ASSY	2	2			0000
12		1544-403-212-00	COVER, DUST	2	3			0000
13		1544-403-213-00	RING, GRIP	2	3			0000
14		1544-403-220-00	END, TIE ROD, R ASSY	2	2			0000
15		1544-403-212-00	COVER, DUST	2	3			0000
16		1544-403-213-00	RING, GRIP	2	3			0000
17		V327-262-110-00	NUT/M10X1.25	4	0000			0000
18		V500-162-502-00	PIN, SPLIT, 2.5X20	4	0000			0000
19		V401-160-010-00	WASHER, SP/M10	4	0000			0000
20		V411-260-010-00	WASHER/M10	4	0000			0000
21		V201-361-202-50	BOLT/M12X25	12	0000			0000
22		V401-160-012-00	WASHER, SP/M12	12	0000			0000

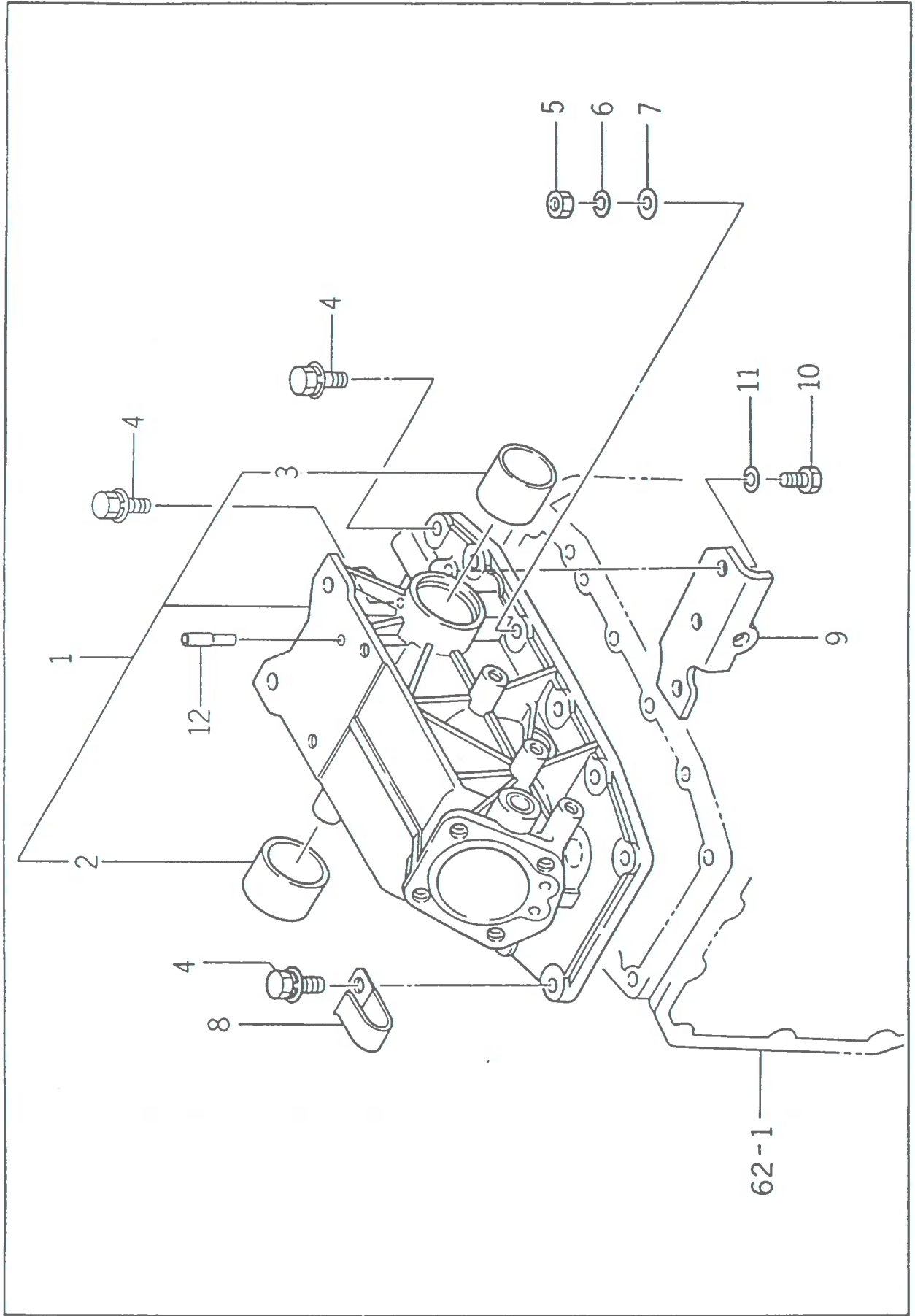
TU318FE



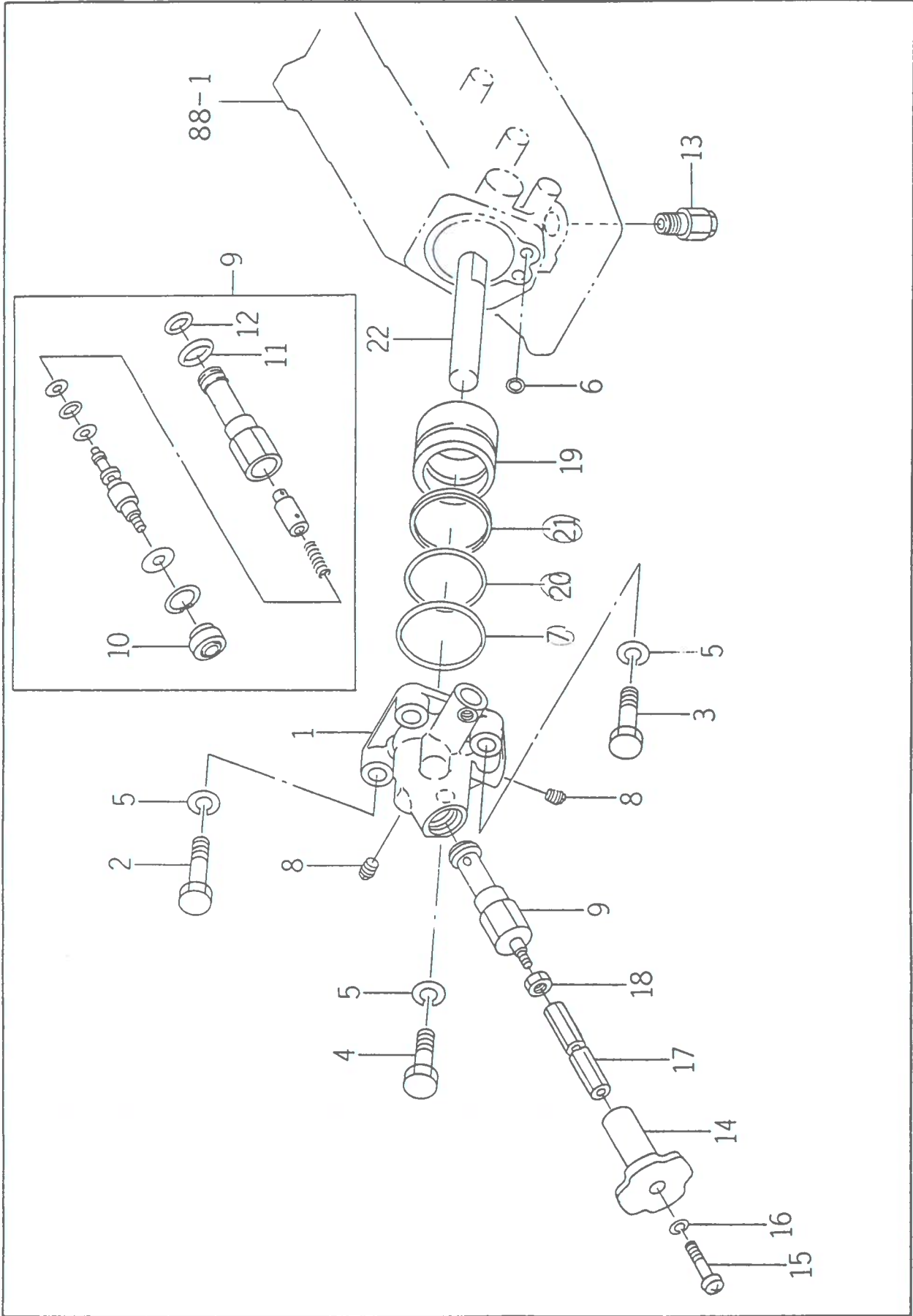
KEY#	S C P H C G	PART CODE	DESCRIPTION	Q T Y	I T C	S C	Inventory Control Data				T F	FROM	UPTO	REMARKS
							2212	1256	1222	4512				
1		1600-434-240-00	ARM, KNUCKLE/LHUE20	1	1		000	0	00	00				
2		1480-434-022-00	BUSH /65X70X17	1	2		000	0	00	00				
3		1600-434-250-00	ARM, KNUCKLE/RHUE20	1	1		000	0	00	00				
4		1480-434-022-00	BUSH /65X70X17	1	2		000	0	00	00				
5		1444-412-011-00	X-RING	2	8		000	0	00	00				
6		V201-361-002-50	BOLT/M10X25	8			000	0	00	00				
7		V401-160-010-00	WASHER, SP/M10	8			000	0	00	00				
8		1550-403-210-00	END, TIE ROD L ASSY	2	2		000	0	00	00				
9		1550-403-220-00	END, TIE ROD, R ASSY	2	2		000	0	00	00				
10		1576-434-301-00	ROD, TIE	2	2		000	0	00	00				
11		1550-403-202-00	NUT/M17	2	2		000	0	00	00				
12		1550-403-203-00	NUT/M17	2	4		000	0	00	00				
13		V328-262-112-00	NUT/M12X1.25	4	4		000	0	00	00				
14		V500-163-002-00	PIN, SPLIT/3 X20	4	4		000	0	00	00				
15		V401-160-012-00	WASHER, SP/M12	4	12		000	0	00	00				
16		V201-361-202-50	BOLT/M12X25	12	12		000	0	00	00				
17		V401-160-012-00	WASHER, SP/M12	12	12		000	0	00	00				

BB
 EE22445555666
 2212121122125566BBEEEEEEEEBE22444455566
 12 T T 1212EE244566EE2EEEE22412112211212
 22212212222445122 G G TT
 22 G G 12 2122 S
 C G G

TU318FE



TU318FE



TU318F

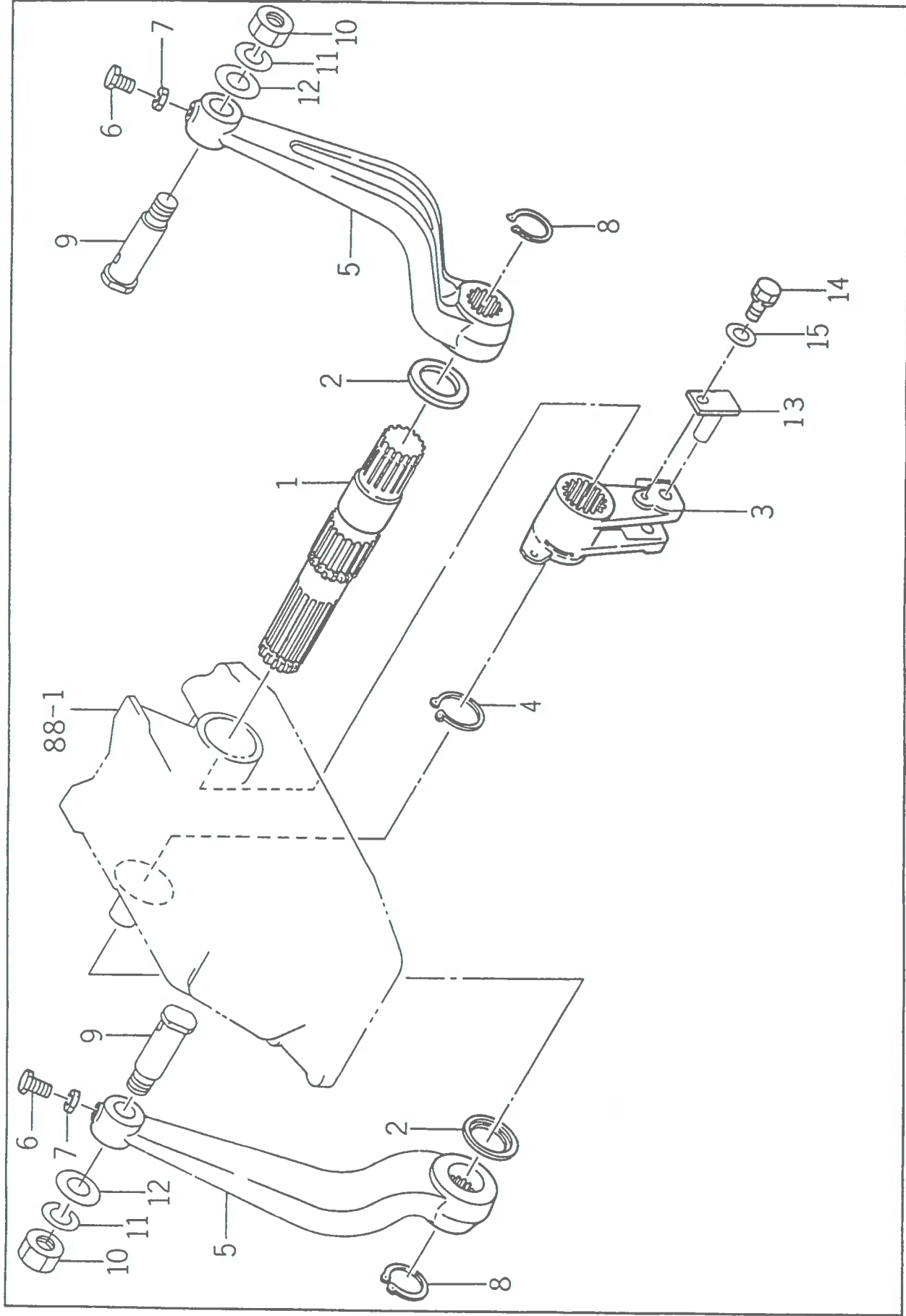
FIG #

89

P. 194

KEY#	S C	P I	H C	G	PART CODE	DESCRIPTION	Q T Y	I T C	S C	FROM	UPTO	REMARKS
1					1602-501-001-10	HEAD, CYLINDER	1					
2					V201-461-206-00	BOLT/M12X60	2					
3					V201-461-205-50	BOLT/M12X55	1					
4					V201-461-204-50	BOLT/M12X45	1					
5					V401-160-012-00	WASHER, SP/M12	4					
6					V720-112-401-00	O-RING/P10	2					
7					V721-113-106-00	O-RING, G60	1					
8					V781-100-000-20	PLUG/PT1/8	2					
9					K231-004-000-00	VALVE, FRONT ASSY	1					
10					K231-004-007-00	SEAL, DUST	1					
11					V720-112-402-20	O-RING/P22	1					
12					V720-112-401-60	O-RING/P16	1					
13					K250-007-000-00	VALVE, RELIEF	1					
14					1560-507-007-00	KNOB	1					
15					V111-166-004-00	SCREW/M6X40	1					
16					V401-160-006-00	WASHER, SP/M 6	1					
17					1563-507-221-10	SHAFT, SLOW RETURN	1					
18					V304-260-010-00	NUIT	1					
19					1421-507-002-10	PISTON	1					
20					V720-105-705-50	O-RING/P55	1					
21					1416-501-011-00	RING, BACKUP	1					
22					1544-503-001-20	ROD	1					

TU318FE



TU318F

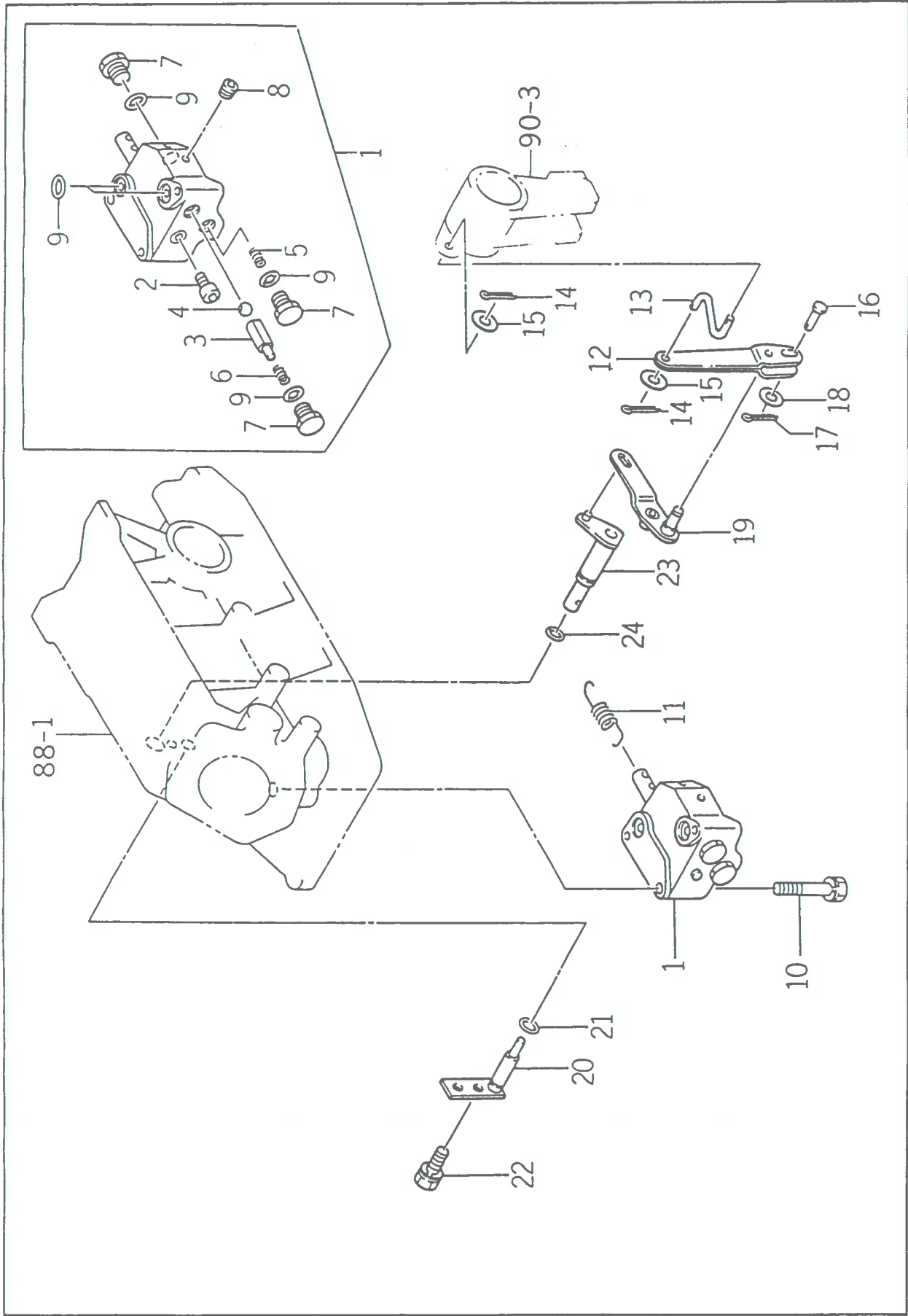
FIG # 90

P. 196

KEY#	S C P H C G	PART CODE	DESCRIPTION	Q I S			FROM	UPTO	REMARKS
				T	T	T			
1		1544-502-003-00	SHAFT, LIFT	1					
2		V742-135-500-60	SEAL, OIL/VCC35506	2					
3		1602-502-001-00	CRANK, LIFT	1					
4		V704-140-040-00	RING, SNAP/40 C	1					
5		1600-502-001-00	ARM, LIFT	2					
6		1404-502-013-00	BOLT/M8X25	2					
7		V302-260-008-00	NUT/M 8	2					
8		V704-140-035-00	RING, SNAP/35 C	2					
9		1600-502-004-00	PIN/22X82	2					
10		V305-260-016-00	NUT/M16	2					
11		V401-160-016-00	WASHER, SP/M16	2					
12		V411-260-016-00	WASHER / M16	2					
13		1544-503-200-20	PIN, ROD COMP	1					
14		V211-561-001-60	BOLT(S)7	1					
15		V411-260-010-00	WASHER/M10	1					

BBB
 EE2244555566667777888899990000111122223333444455556666
 22121212212212555666677778888999900001111222233334444555666
 12 T T T T 1212EE244566EE2EEEEE22412112211221122112211
 2212212222224455122 GG S
 22 GG 12 2122 S
 C GG

T	F



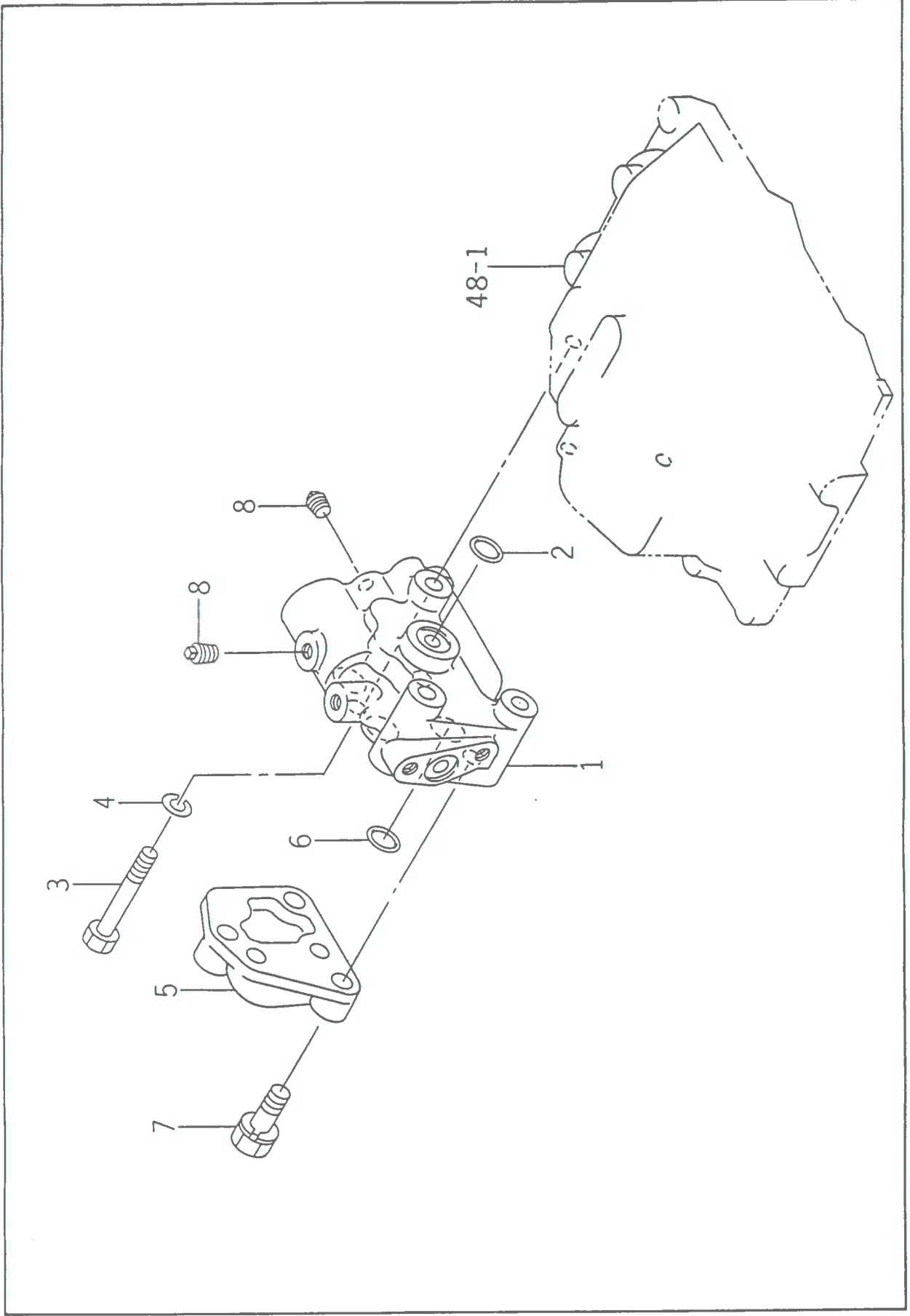
TU318F

FIG # 91

P. 198

KEY#	S P H C G	PART CODE	DESCRIPTION	Q T Y	I T T C	S C	FROM	UPTO	REMARKS
1		K211-002-000-00	VALVE . CONTOROL ASSY	1	1				
2		K211-003-002-00	BOLT/M4X5	1	2				
3		K211-002-002-00	GUIDE . CHECK	1	2				
4		V681-200-000-90	BALL . STEEL	1	2				
5		K211-001-006-20	SPRING	1	2				
6		K211-001-007-00	SPRING	1	2				
7		K211-001-008-00	PLUG	3	2				
8		K200-014-007-00	PLUG	4	2				
9		V720-112-401-20	O-RING/P12	5	2				
10		V211-260-805-00	BOLT/M8X50	3	2				
11		1544-503-002-00	SPRING . TENSION/64	1					
12		1434-503-230-0*	LINK . SPOOL	1					
13		1434-503-001-0*	MIRROR BLACK	1					
14		V500-162-001-50	MIRROR BLACK	2					
15		V411-260-006-00	PIN . SPLIT/2 X15	2					
16		1434-503-002-00	WASHER / M6	1					
17		V500-162-001-50	PIN . SPLIT/2 X15	1					
18		V411-260-005 00	WASHER . PL/M 5	1					
19		1434-503-240-0*	LINK . SUPPORT	1					
20		1434-503-250-0*	MIRROR BLACK	1					
21		V720-101-900-70	PIN . SUPPORT	1					
22		V211-260-801-60	MIRROR BLACK	1					
23		1434-503-260-20	O-RING/P 7	1					
24		V720-102-401-00	BOLT . SEMS (S) M8X16	1					
			ARM . LINK SHIFT COMP	1					
			O-RING/P10A	1					

TU318FE



TU318F

FIG #

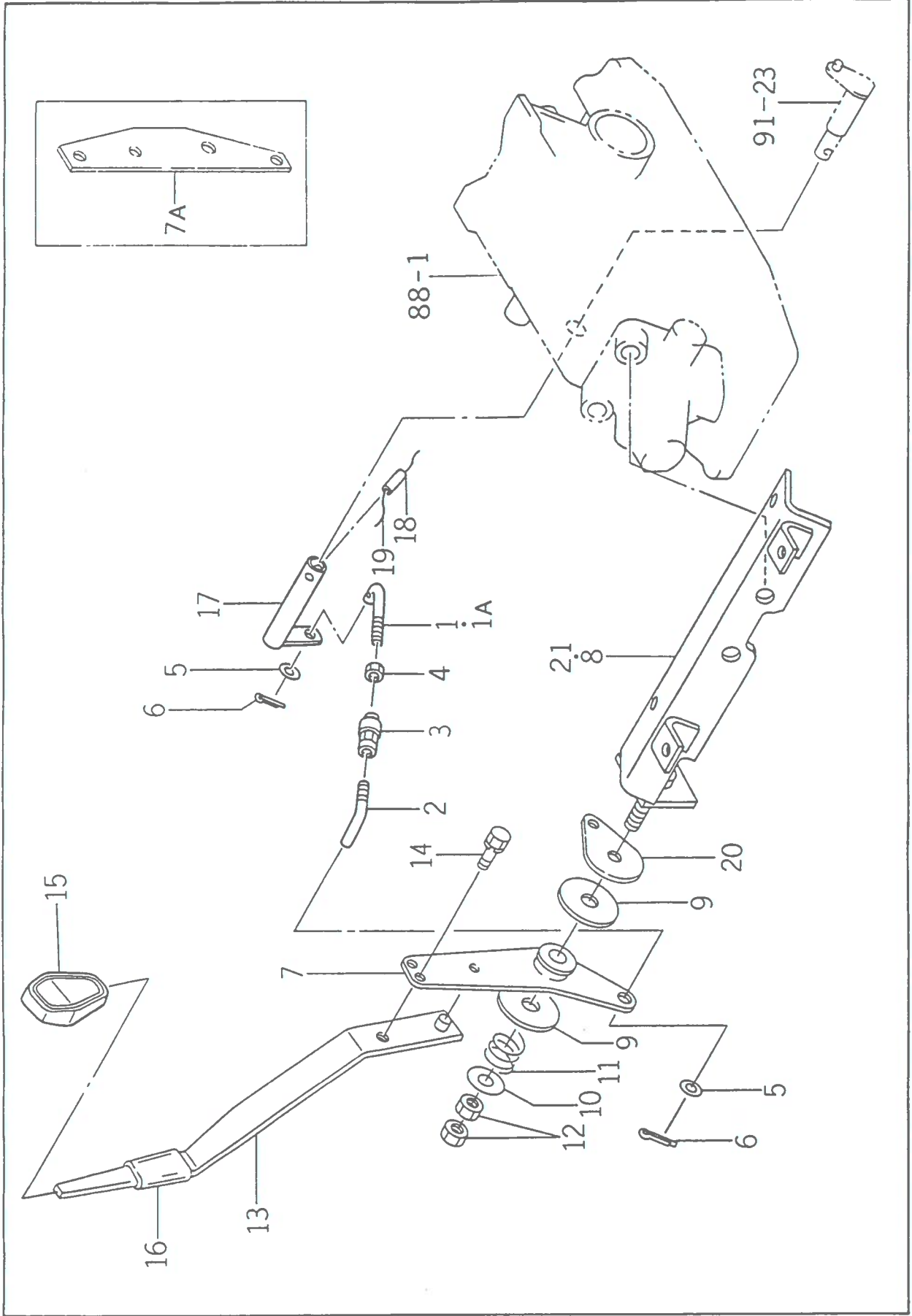
92

BBBBBBBBBB EEEEEEEEEE
 EE224455556666777788889999
 221212122125556688889999
 12 T T T T 1212EE2445666EE
 22212212222445122 G G TT
 22 GG 12 2122 S
 GG
 C

P. 200

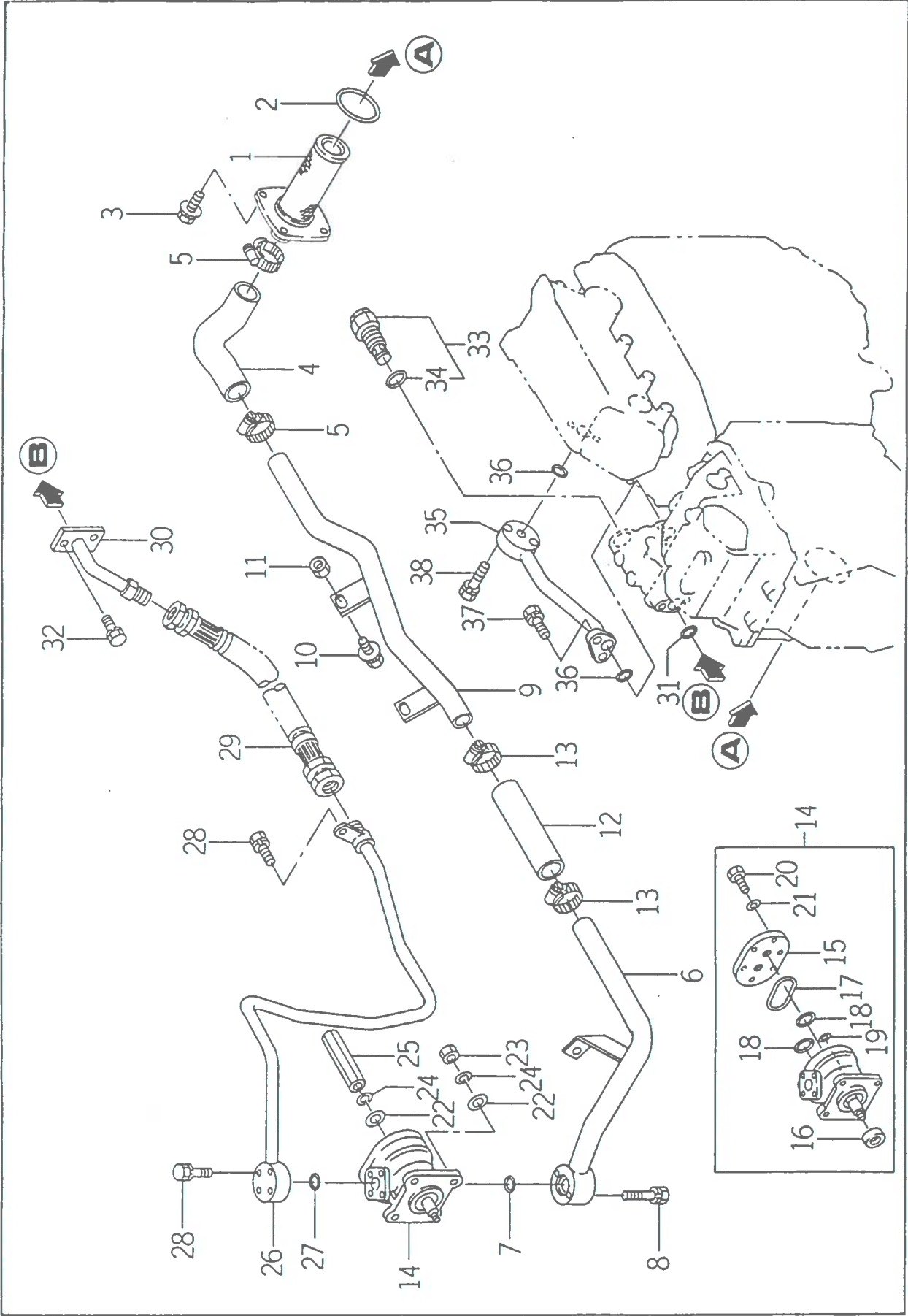
KEY#	SC PH CG	PART CODE	DESCRIPTION	Q T Y T T C Y C C	FROM	UPTO	REMARKS
1		1602-504-001-00	METAL BYPASS	1			
2		V720-112-401-40	O-RING/PI4	1			
3		V201-260-806-50	BOLT/M8X65	3			
4		V401-160-008-00	WASHER, SP/M8	3			
5		1602-504-002-00	METAL COVER/SUBCON	1			
6		V720-112-401-40	O-RING/PI4	3			
7		V211-261-003-50	BOLT, S/M10X35	3			
8		V781-100-000-20	PLUG/PT1/8	3			

TU318FE

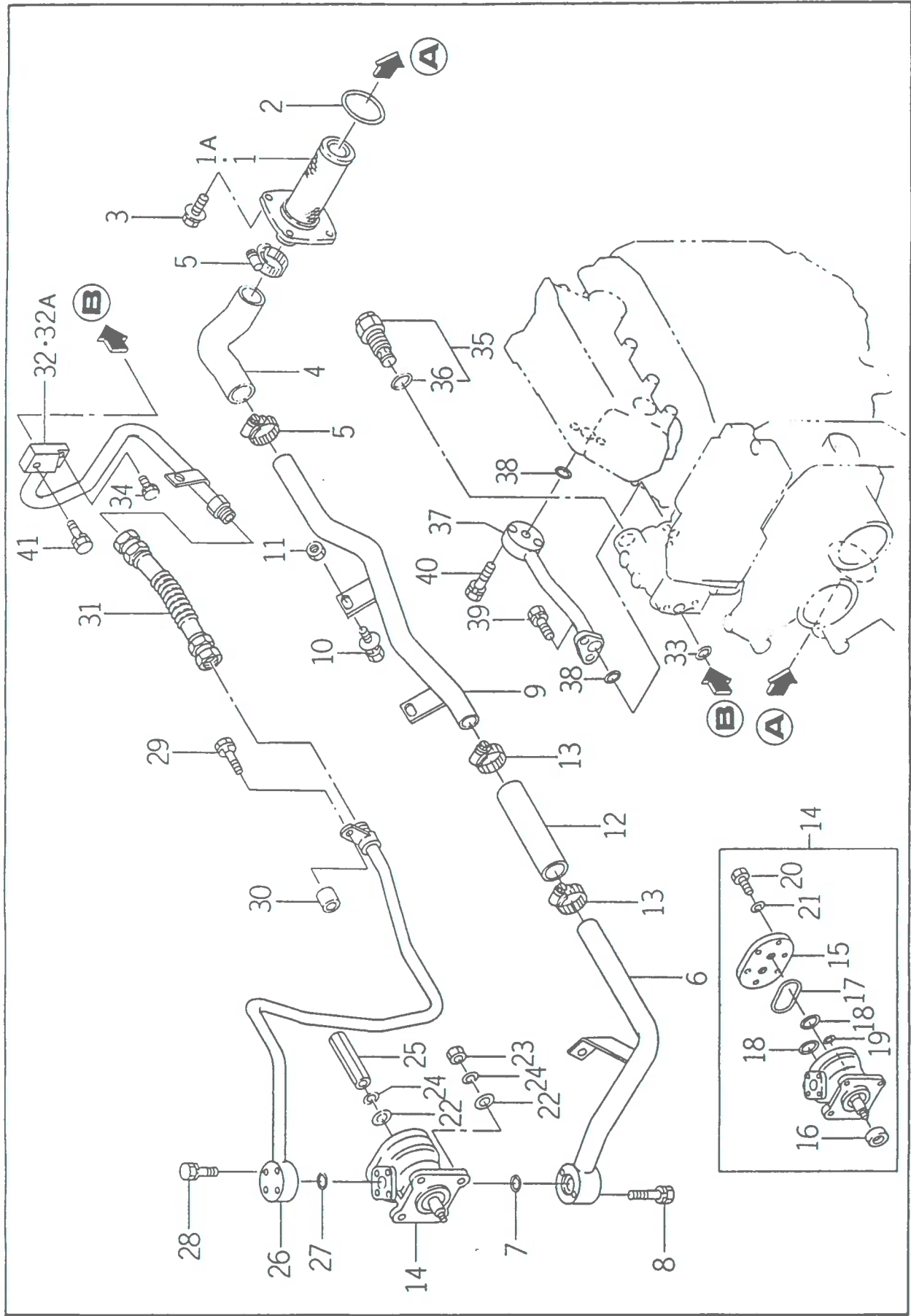


KEY#	S P C	PART CODE	DESCRIPTION	Q		C	S	T	T	C	FROM	UPTO	REMARKS
				Y	V								
1		1550-505-002-00	ROD/80	1	1		0000000000	0000000000	0000000000	0000000000	104	103	
1A		1544-505-001-10	ROD/55	1	1		0000000000	0000000000	0000000000	0000000000			
2		1544-505-004-00	ROD/42	1	1		0000000000	0000000000	0000000000	0000000000			
3		1444-122-002-00	TURBUCKLE/M8	1	1		0000000000	0000000000	0000000000	0000000000			
4		1560-132-007-30	NUT/M8	1	1		0000000000	0000000000	0000000000	0000000000			
5		V411-260-008-00	WASHER, PL/M8	2	2		0000000000	0000000000	0000000000	0000000000			
6		V500-162-002-00	PIN, SPLIT/2X20	1	1		0000000000	0000000000	0000000000	0000000000			
7		1544-505-221-10	LEVER, A	1	1		0000000000	0000000000	0000000000	0000000000			
7A		1602-505-003-00	ARM, POSITION	1	1		0000000000	0000000000	0000000000	0000000000	104	103	
8		1602-505-210-00	HOLDER, LEVER COMP	1	1		0000000000	0000000000	0000000000	0000000000			
9		1600-505-007-00	LINING/13X50X3	2	2		0000000000	0000000000	0000000000	0000000000			
10		V411-260-010-00	WASHER/M10	1	1		0000000000	0000000000	0000000000	0000000000			
11		1404-117-008-00	SPRING, PRESS/22	1	1		0000000000	0000000000	0000000000	0000000000			
12		V304-260-010-00	NUT/M10	2	2		0000000000	0000000000	0000000000	0000000000			
13		1602-505-200-00	LEVER, POSITION COMP	1	1		0000000000	0000000000	0000000000	0000000000			
14		V211-260-802-00	BOLT, SEHS/M8X20	1	1		0000000000	0000000000	0000000000	0000000000			
15		1432-242-004-00	GRIP, B	1	1		0000000000	0000000000	0000000000	0000000000			
16		1560-316-002-40	TUBE, STRAIGHT/50	1	1		0000000000	0000000000	0000000000	0000000000			
17		1602-505-230-00	ARM, POSITION COMP	1	1		0000000000	0000000000	0000000000	0000000000			
18		V580-140-502-50	PIN, SPRING/5 X25 W	1	1		0000000000	0000000000	0000000000	0000000000			
19			WIRE/1.0X70	1	1	A	0000000000	0000000000	0000000000	0000000000			
20		1560-511-012-00	PLATE	1	1		0000000000	0000000000	0000000000	0000000000			
21		1602-505-700-10	HOLDER, LEVLER B COMP	1	1		0000000000	0000000000	0000000000	0000000000			

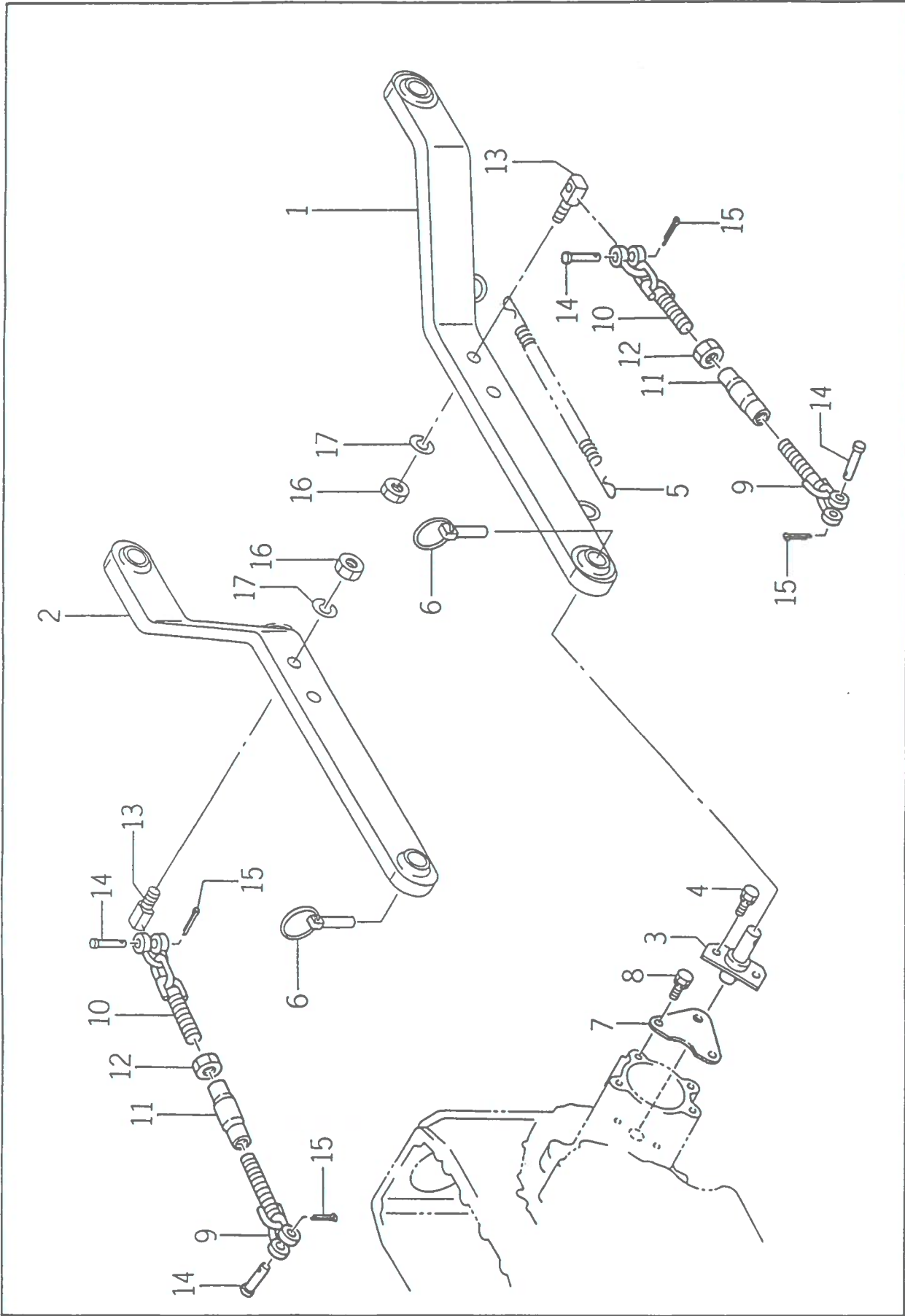
TU318FE



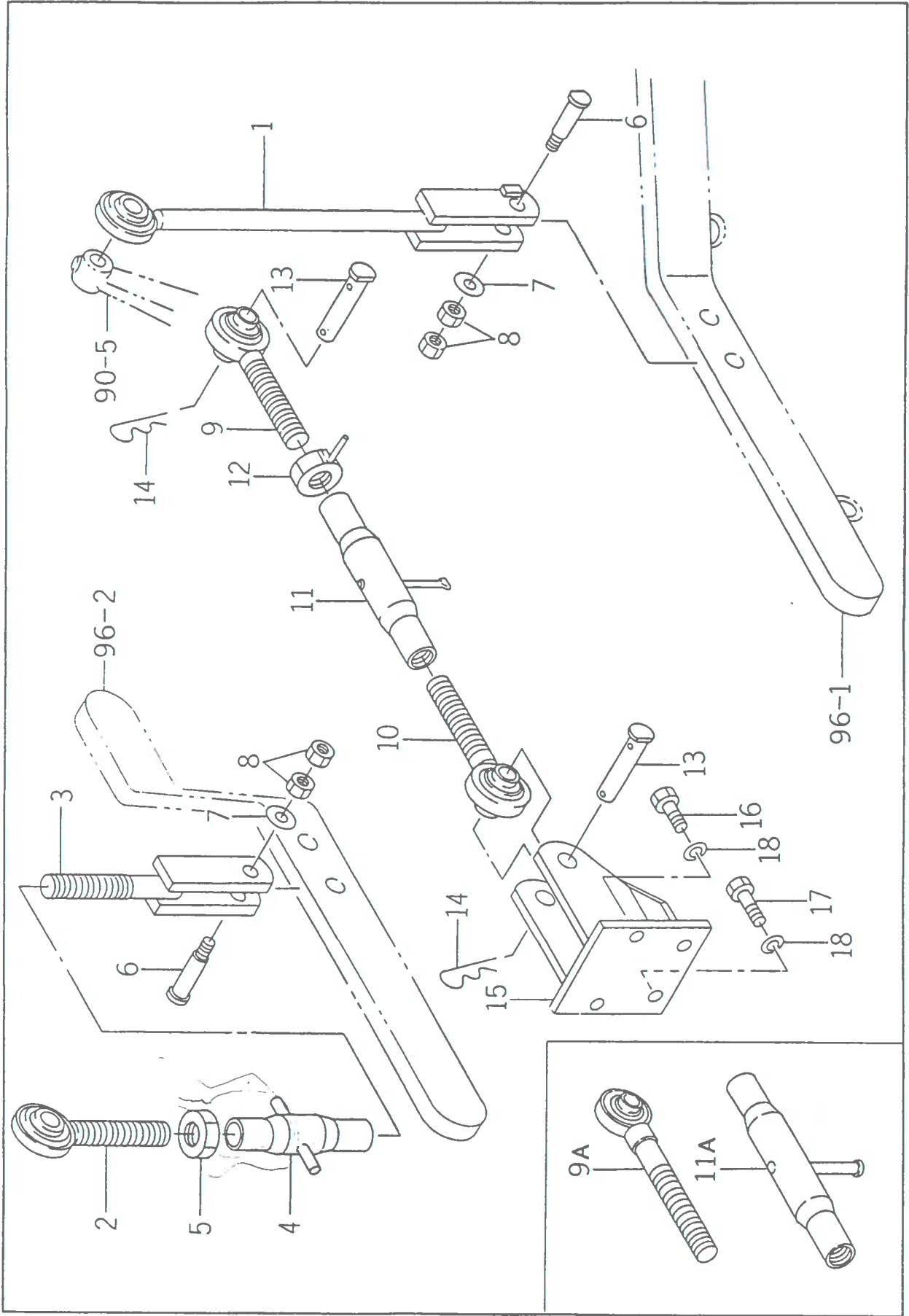
TU318FE



TU318FE



TU318FE



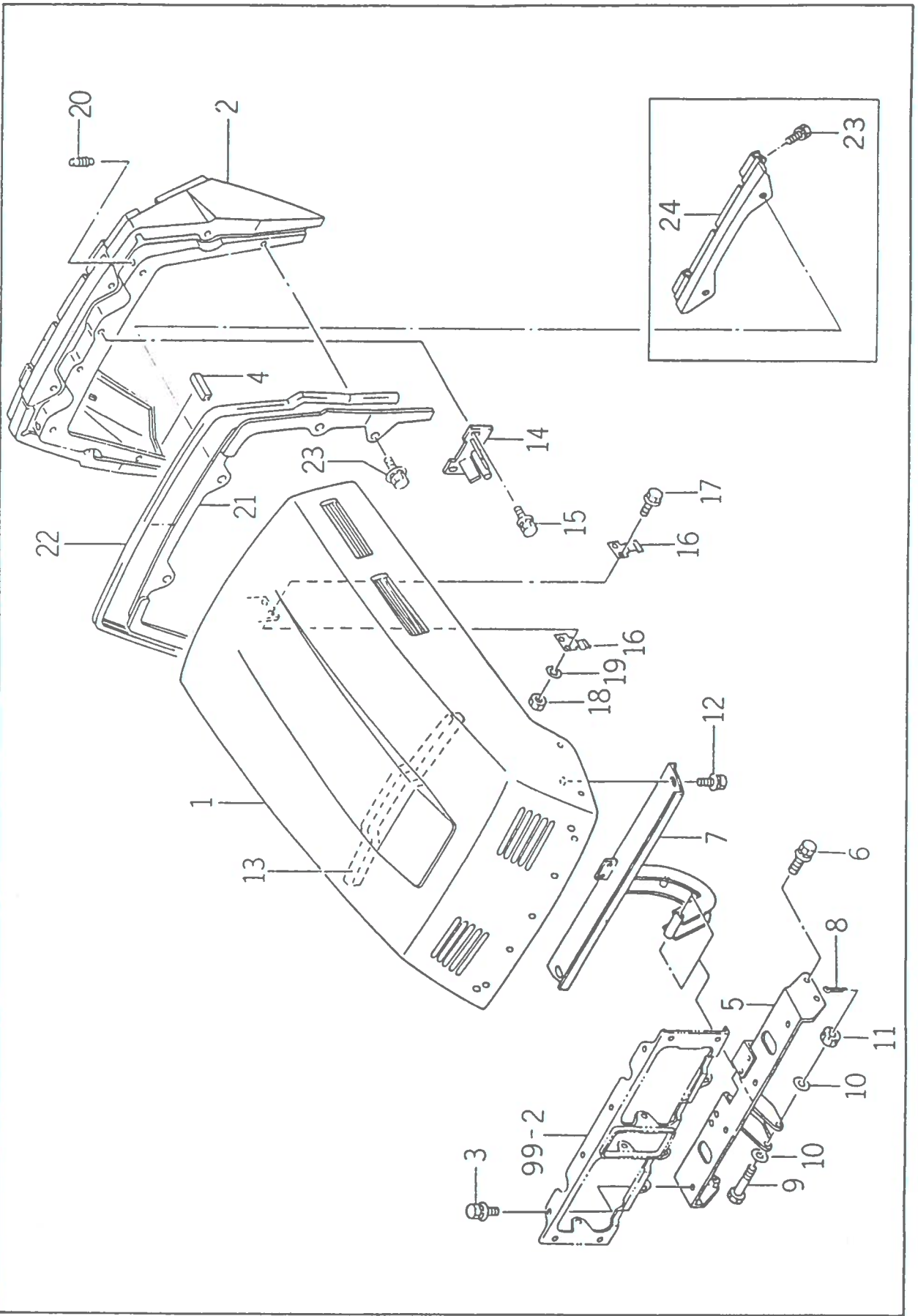
TU318F

FIG # 97

P. 210

KEY#	S C P H C G	PART CODE	DESCRIPTION	Q T Y	I T C	S T C	FROM	UPTO	REMARKS
1		1600-515-200-20	ROD, LIFT/LH COMP	1					
2		1600-515-210-10	SCREW, RH/M24 COMP	1					
3		1600-515-230-10	SCREW, LH/M24X160COMP	1					
4		1600-515-240-00	BUCKLE, TURN/M24 COMP	1					
5		V303-260-024-00	NUT/M24	1					
6		1600-515-001-00	PIN/16X73	2					
7		1427-431-003-00	WASHER/13X32X3	2					
8		V303-460-012-00	NUT/M12	4					
9		1600-514-220-00	LINK, RH COMP	1			126	125	
9A		1444-514-300-0*	LINK, TOP (R) COMP	1					
10		1600-514-230-00	MIRROR BLACK	1					
11		1600-514-240-00	LINK, LH COMP	1					
11A		1600-514-240-00	BUCKLE, TURN/M24 COMP	1					
12		1550-514-290-00	TURN-BUCKLE COMP	1					
		1402-511-600-0*	NUT, TOP LINK LOCK	1					
		0	SCARLET	0					
13		1564-522-001-10	MIRROR BLACK	2					
14		1444-514-005-10	PIN, HAIR (19)	2					
15		1602-514-240-00	BRACKET, LINK COMP	1					
16		V201-361-203-00	BOLT/M12X30	2					
17		V201-261-204-00	BOLT/M12X40	2					
18		V401-160-012-00	WASHER, SP/M12	4					

TU318FE



TU318F

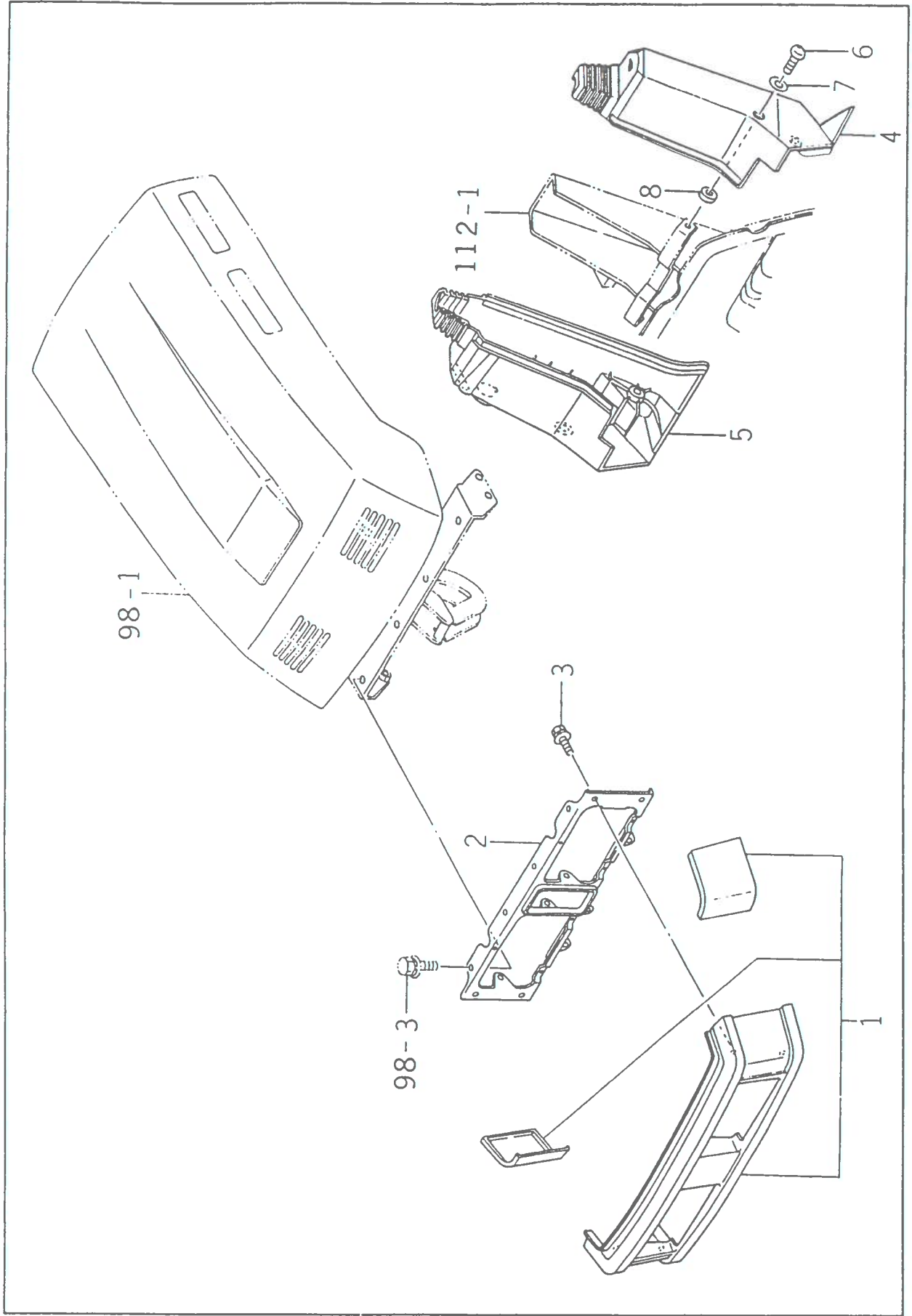
FIG #

98

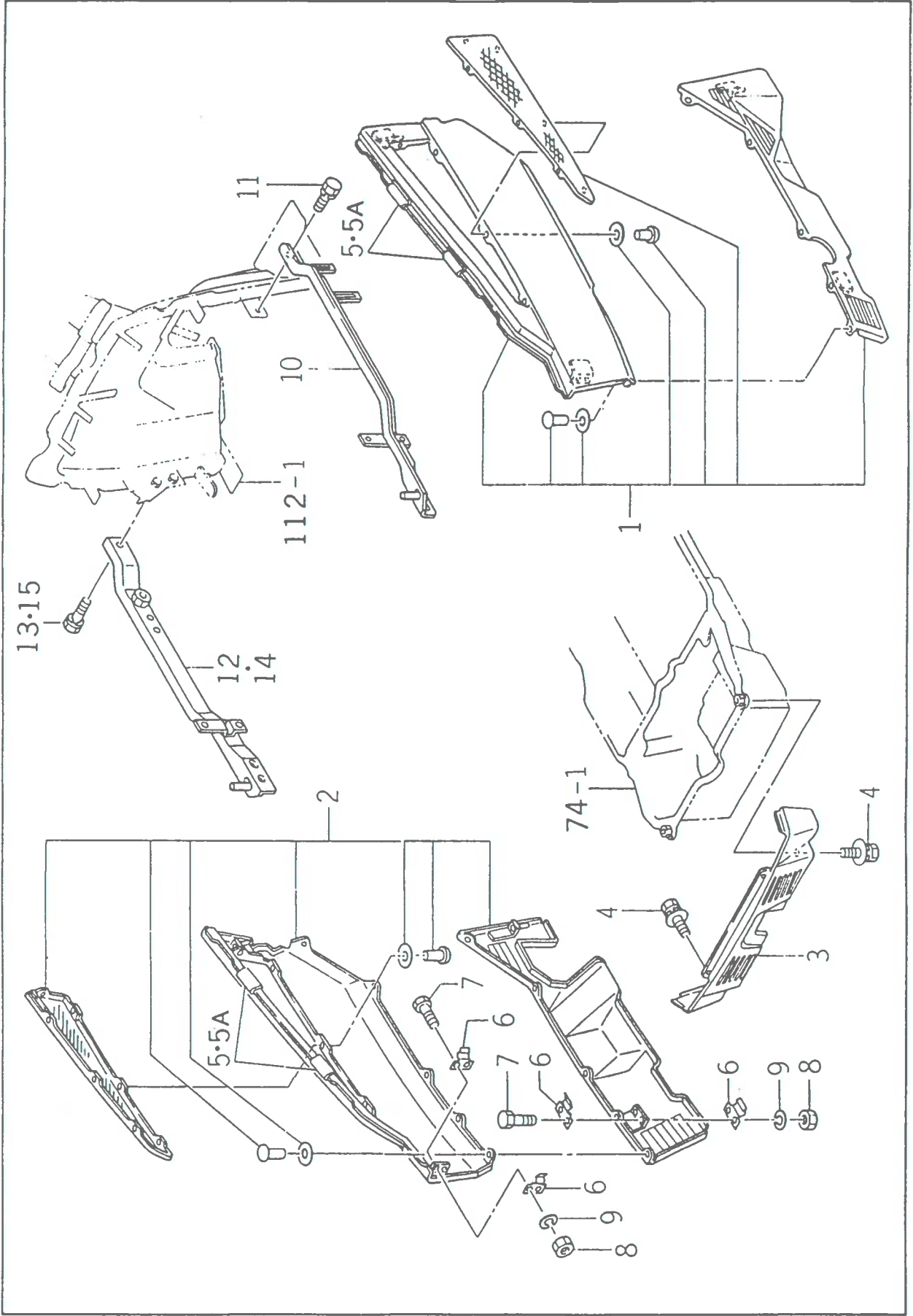
P. 212

KEY#	S C P H C G	PART CODE	DESCRIPTION	Q I S T T Y C	FROM	UPTO	REMARKS
1		1575-601-200-20	FOOD COMP	1			
2		1600-601-210-00	COVER COMP	1			
3		V211-360-801-60	BOLT,SEMS (SP)	4			
4		1600-601-002-00	INSULATOR	1			
5		1600-601-200-00	BRACKET	1			
6		V211-360-802-00	BOLT(SP) M8X20	4			
7		1575-601-230-00	HINGE, FOOD COMP	1			
8		V500-162-002-50	PIN, SPLIT/2 X25	1			
9		1575-601-001-00	BOLT	1			
10		V411-260-010-00	WASHER/M10	2			
11		V328-262-110-00	NUT/M10X1.25	1			
12		V211-360-801-60	ROLT,SEMS (SP)	2			
13		1575-601-003-00	SEAL/30X30X550	1			
14		1575-601-320-20	HOLDER,FOOD COMP	1			
15		V211-360-801-60	ROLT,SEMS (SP)	2			
16		1560-604-022-70	SPRING	2			
17		V211-160-801-60	BOLT/M8X16	2			
18		V304-260-008-00	NUT/M 8	2			
19		V401-160-008-00	WASHER,SP/M 8	2			
20		1575-601-007-00	INSULATOR	2			
21		1600-601-220-10	PLATESEAL COMP	1			
22		1600-601-001-00	INSULATOR,SEAL/FOOD	1			
23		V210-360-601-60	BOLT(SP)/M6X16	4			
24		1600-601-240-00	COVER,UPPER COMP	1			

TU318FE



TU318FE



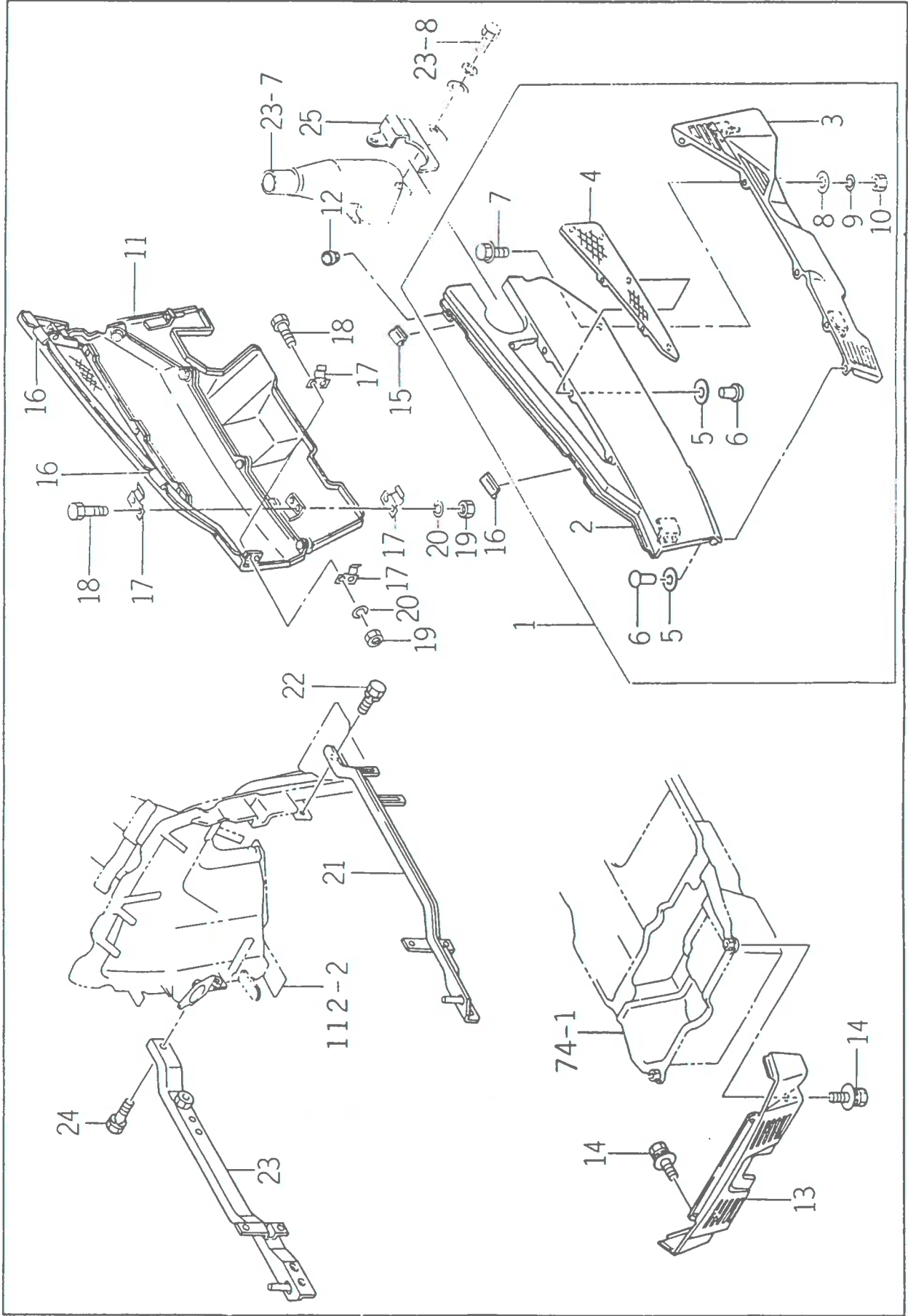
TU318F

FIG # 100

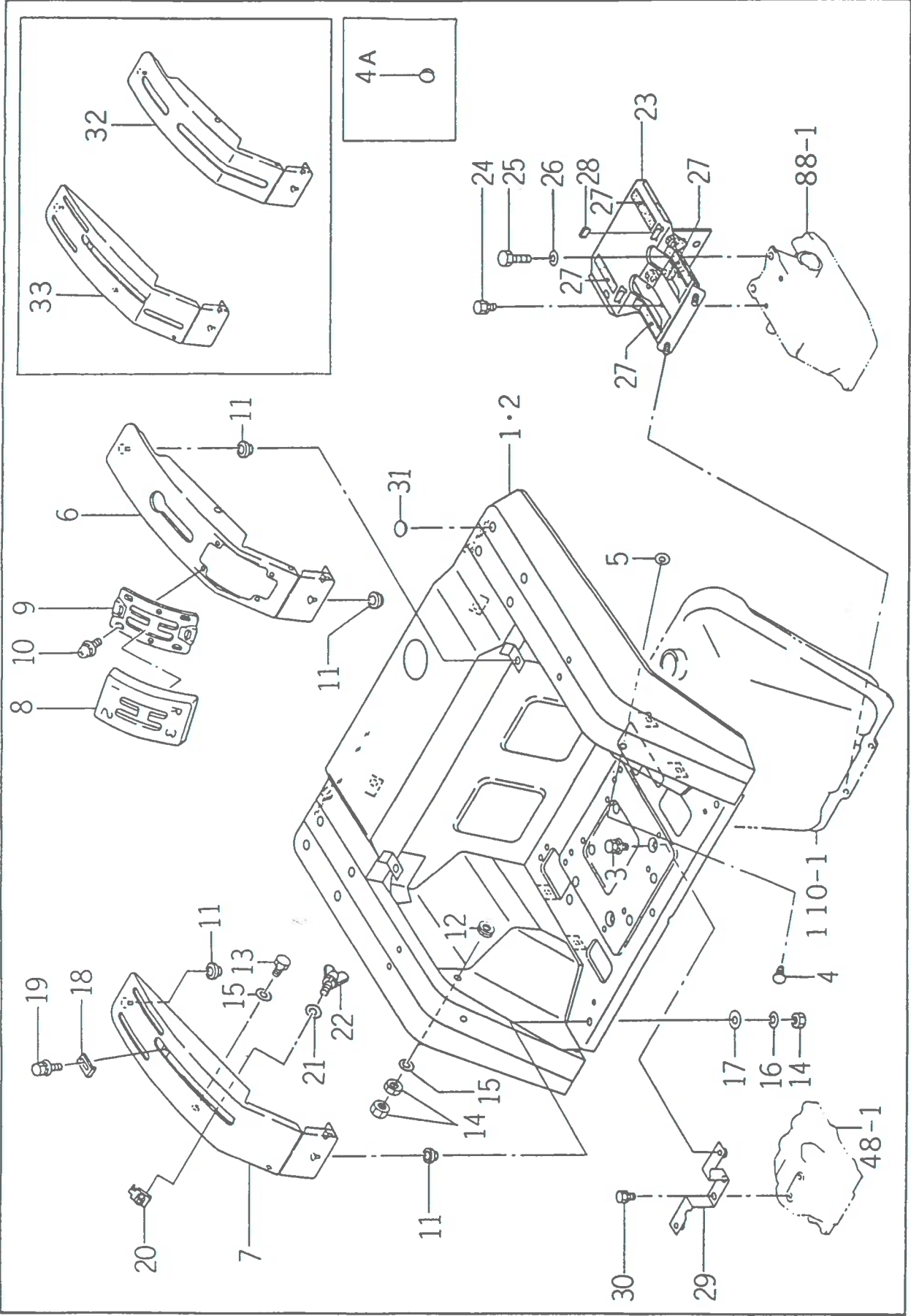
P. 216

KEY#	S P C	H C	G	PART CODE	DESCRIPTION	Q T Y	I T C	S C	BBEEEEEE EE2244 221212 12	TTTT 1212 2222	GGGG 1222 2222	GGGG 1222 2222	GGGG 1222 2222	GGGG 1222 2222	GGGG 1222 2222	GGGG 1222 2222	GGGG 1222 2222	GGGG 1222 2222	T F	FROM	UPTO	REMARKS
1				1575-604-320-00	COVER, SIDE/LH	1			0000000000		0000000000	0000000000	0000000000	0000000000	0000000000	0000000000	0000000000	0000000000				
2				1575-604-330-00	COVER, SIDE/RR	1			0000000000		0000000000	0000000000	0000000000	0000000000	0000000000	0000000000	0000000000	0000000000				
3				1575-604-240-00	COVER	1			0000000000		0000000000	0000000000	0000000000	0000000000	0000000000	0000000000	0000000000	0000000000				
4				V211-360-801-60	BOLT, SEMS (SP)	4			0000000000		0000000000	0000000000	0000000000	0000000000	0000000000	0000000000	0000000000	0000000000		13	12	
5				1544-604-208-00	GUM, FAN COVER	4			0000000000		0000000000	0000000000	0000000000	0000000000	0000000000	0000000000	0000000000	0000000000				
5A				1600-604-002-00	INSULATOR	4			0000000000		0000000000	0000000000	0000000000	0000000000	0000000000	0000000000	0000000000	0000000000				
6				1575-601-002-00	SPRING	8			0000000000		0000000000	0000000000	0000000000	0000000000	0000000000	0000000000	0000000000	0000000000				
7				V201-260-801-60	BOLT/M 8X16	8			0000000000		0000000000	0000000000	0000000000	0000000000	0000000000	0000000000	0000000000	0000000000				
8				V304-260-008-00	NUT/M 8	8			0000000000		0000000000	0000000000	0000000000	0000000000	0000000000	0000000000	0000000000	0000000000				
9				V401-160-008-00	WASHER, SP/M 8	8			0000000000		0000000000	0000000000	0000000000	0000000000	0000000000	0000000000	0000000000	0000000000				
10				1575-604-300-20	STAY, LH	1			0000000000		0000000000	0000000000	0000000000	0000000000	0000000000	0000000000	0000000000	0000000000				
11				V211-660-801-60	BOLT/H8X16	3			0000000000		0000000000	0000000000	0000000000	0000000000	0000000000	0000000000	0000000000	0000000000				
12				1575-604-310-20	STAY, RH	1			0000000000		0000000000	0000000000	0000000000	0000000000	0000000000	0000000000	0000000000	0000000000				
13				V211-660-801-60	BOLT/H8X16	3			0000000000		0000000000	0000000000	0000000000	0000000000	0000000000	0000000000	0000000000	0000000000				
14				1600-604-730-00	STAY, B/RR	1			0000000000		0000000000	0000000000	0000000000	0000000000	0000000000	0000000000	0000000000	0000000000				
15				V211-560-801-60	BOLT, SEMS	3			0000000000		0000000000	0000000000	0000000000	0000000000	0000000000	0000000000	0000000000	0000000000				

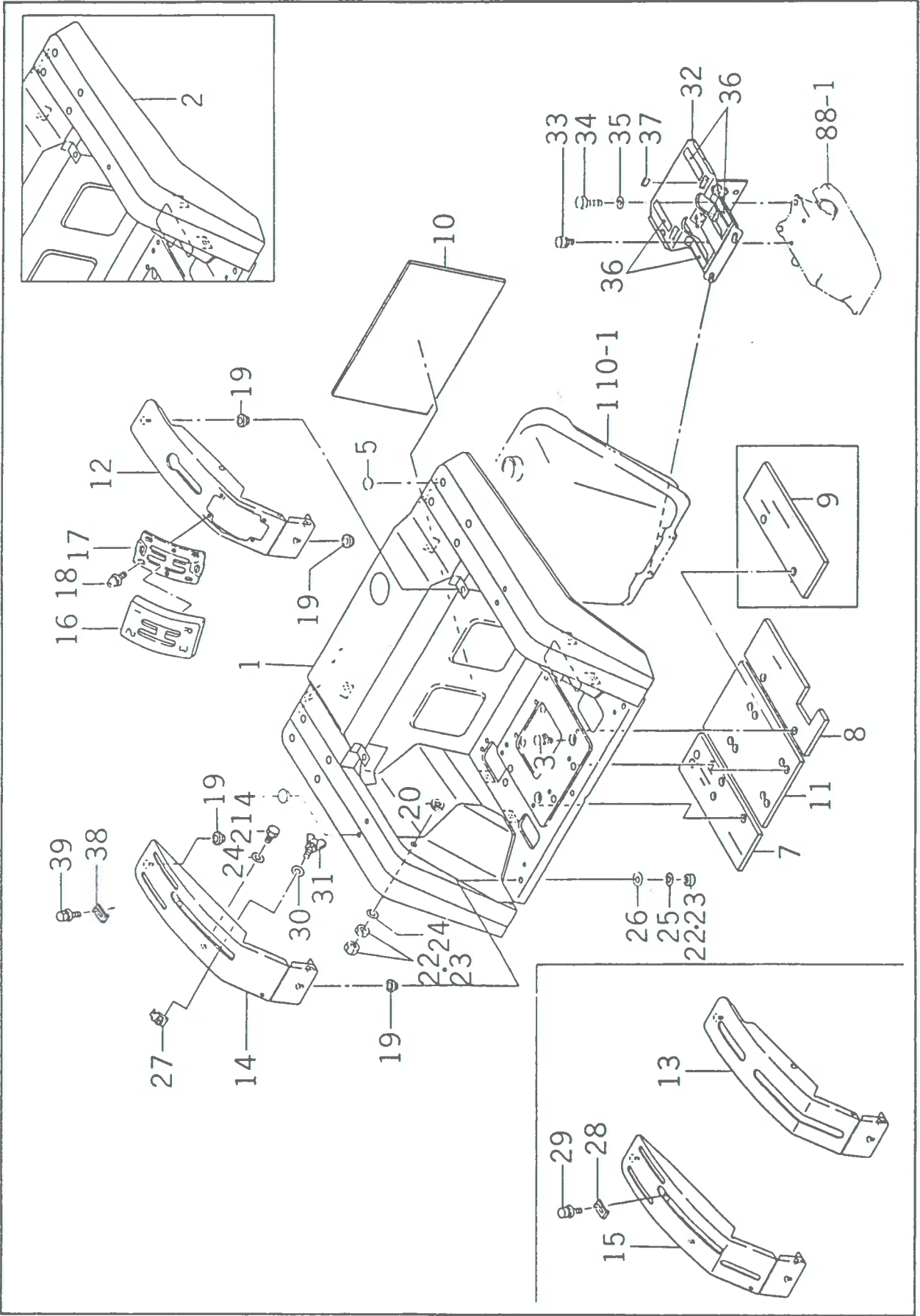
TU318FE



TU318FE



TU318FE



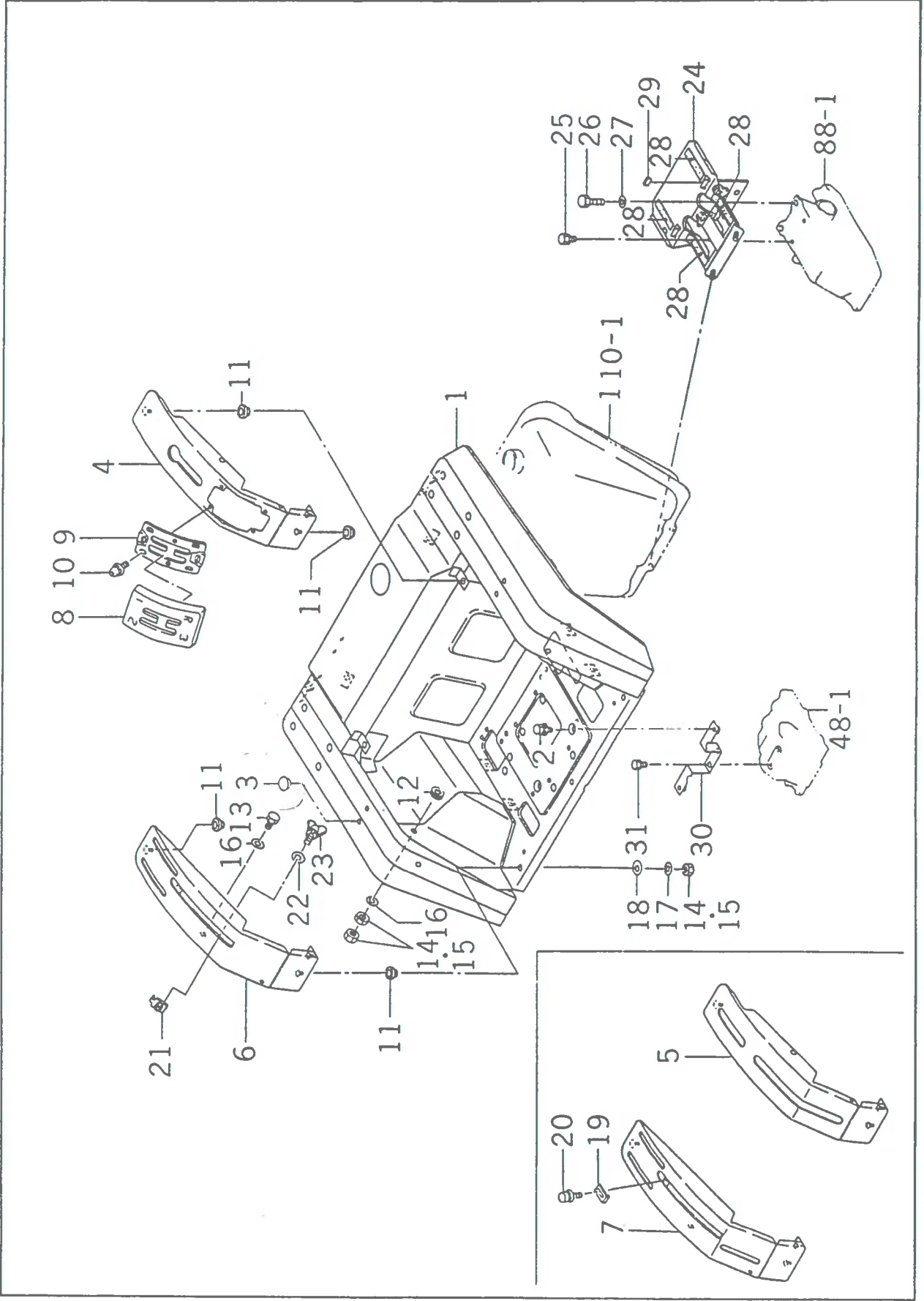
TU318F

FIG # 103

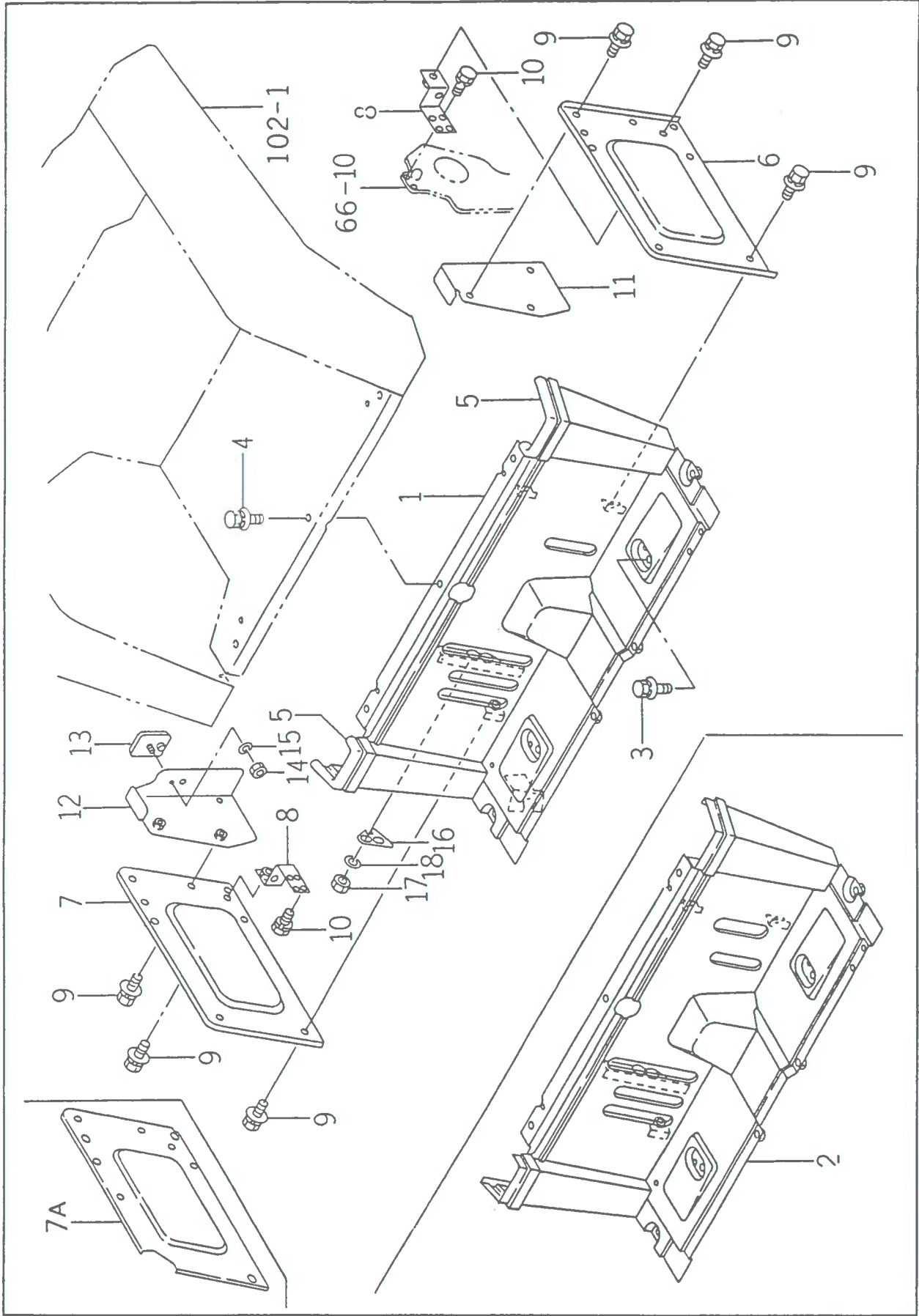
P. 222

KEY#	S	C	P	M	N	G	C	PART CODE	DESCRIPTION	Q	I	S	T	F	FROM	UPTO	REMARKS
	C									T	T	T	T	F			
										Y	C	C	C				
1								1602-606-700-10	FEND. B	1							
2								1602-606-720-10	FENDER, BE20	1			0				
3								V211-360-802-00	BOLT (SP) M8X20	3			00				
4								1444-621-016-00	CAP. RUBBER (9)	4			00				
5								1480-601-008-00	CAP. RUBBER	6			00				
7								1602-606-070-00	INSULATOR, FENDER A	1			00				
8								1602-606-071-00	INSULATOR, FENDER B	1			00				
9								1602-606-072-00	INSULATOR, FENDER C	1			00				
10								1600-606-073-00	INSULATOR, FENDER D	1			00				
11								1602-606-073-00	INSULATOR, FENDER D	1			00				
12								1602-606-240-00	GUIDE, CHANGE/LH COMP	1			00				
13								1602-606-510-00	GUIDE, CHANGE/LH COMP	1			00				
14								1602-606-250-00	GUIDE, CHANGE/RH COMP	1			00				
15								1602-606-520-00	GUIDE, CHANGE/RH COMP	1			00				
16								1575-606-001-00	GUIDE, MAIN	1			00				
17								1575-606-002-00	PLATE, GUIDE	1			00				
18								V120-346-001-60	BOLT/M6X16	4			00				
19								3614-321-001-00	RUBBER, LOCK	2			00				
20								1432-651-028-00	GROMMET/9X13X2	2			00				
21								V200-260-602-50	BOLT/M6X25	2			00				
22								V300-260-006-00	NUT/M6	6			00				
23								V301-260-006-00	NUT/M6	6			00				
24								3560-503-302-00	WASHER, WIRE TENSION	4			00				
25								V401-160-006-00	WASHER, SP/M6	2			00				
26								V411-260-006-00	WASHER / M6	2			00				
27								V544-606-280-10	STOPPER, A	1			00				
28								V544-606-005-10	STOPPER	1			00				
29								V211-360-801-60	BOLT, SP/M8X16	1			00				
30								2701-101-052-00	WASHER	1			00				
31								V273-260-601-50	BOLT, S/M6X15	1			00				
32								1602-606-210-20	BRACKET, TANK	1			00				
33								V211-260-802-00	BOLT, SEMS (S)	2			00				
34								V201-261-203-00	BOLT/M12X30	2			00				
35								V401-160-012-00	WASHER, SP/M12	2			00				
36								1600-606-003-00	INSULATOR, TANK	4			00				
37								1575-112-007-00	INSULATOR	2			00				
38								V544-606-005-10	STOPPER	1			00				
39								V211-360-801-60	BOLT, SEMS (SP)	1			00				

TU318FE



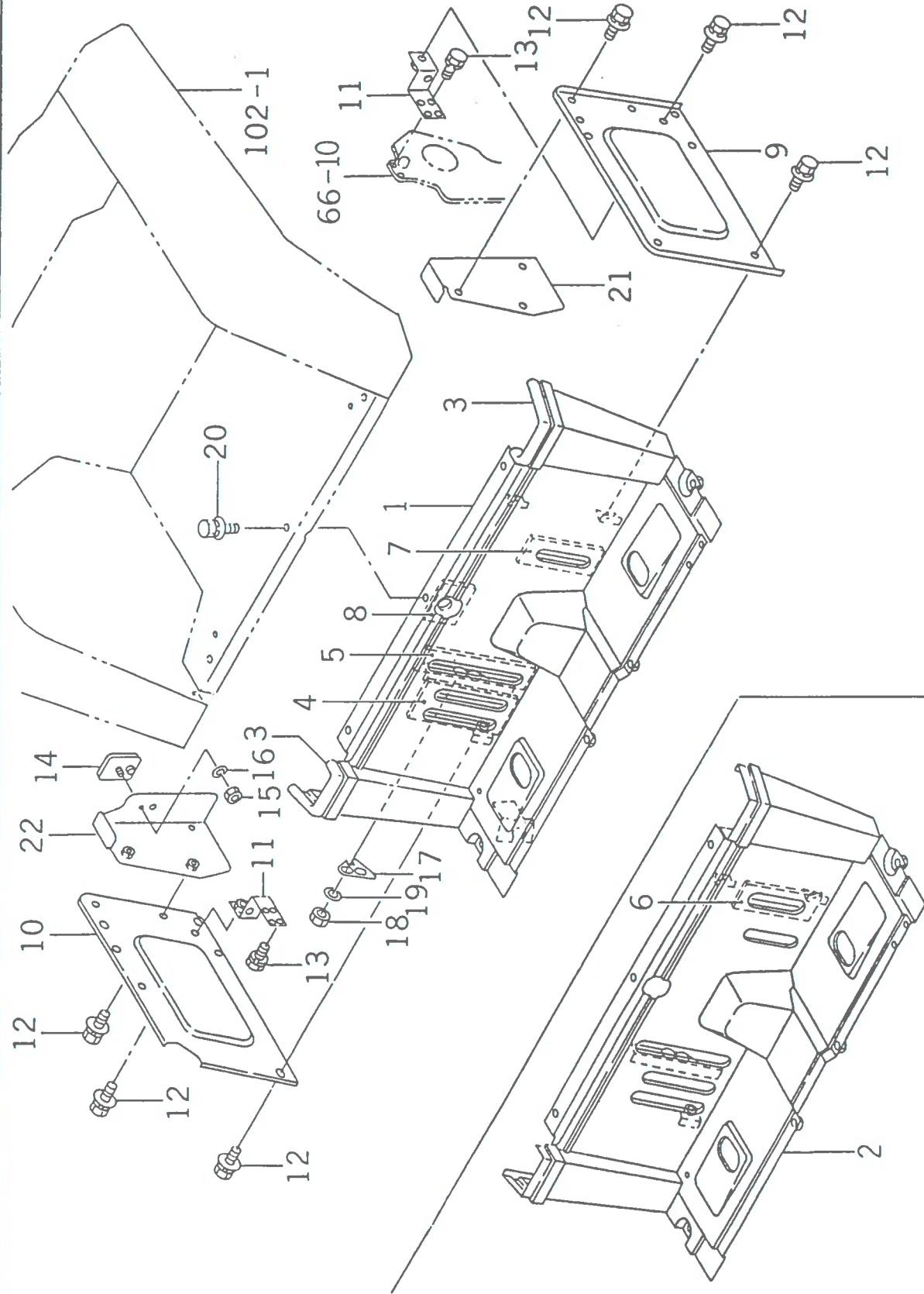
TU318FE



BBB
 EE224455556666777788889999000011112222333344445566
 22121211221255668899001122334455667788990011223344
 12 T T 1212EE244566EE2EEEE222445122 G G TT
 22212212222445122 S
 22 GG 12 2122 S
 C

KEY#	S P H C	P H C	G	PART CODE	DESCRIPTION	Q T Y	I T E M	S E C T O R	FROM	UPTO	REMARKS
1				1602-607-200-10	COVER, FRONT COMP	1					
2				1602-607-300-10	COVER, FRONT/E20 COMP	1					
3				V211-660-801-60	BOLT/M8X16	2					
4				V211-360-801-60	BOLT, SEMS (SP)	3					
5				1550-607-003-00	TRIM, FENDER	2					
6				1600-607-001-00	COVER, SIDE/LH	1					
7				1600-607-002-00	COVER, SIDE/RH	1					
7A				1600-607-002-10	COVER, SIDE/RH	1					
8				1602-607-210-00	PLATE, COVER/SIDECOMP	2			81	80	
9				V211-360-801-20	BOLT, SEMS	12					
10				V211-260-801-60	BOLT, SEMS (S) M8X16	4					
11				1600-607-210-00	COVER, REAR/LH COMP	1					
12				1600-607-220-00	COVER, REAR/RH COMP	1					
13				1518-621-560-00	REFLECTOR ASSY	2					
14				V301-260-006-00	NUT/M 6	2					
15				V401-160-006-00	WASHER, SP/M 6	2					
16				1600-607-003-10	PLATE, LOCK	1					
17				V304-260-008-00	NUT/M 8	1					
18				V401-160-008-00	WASHER, SP/M 8	2					

TU318FE



TU318F

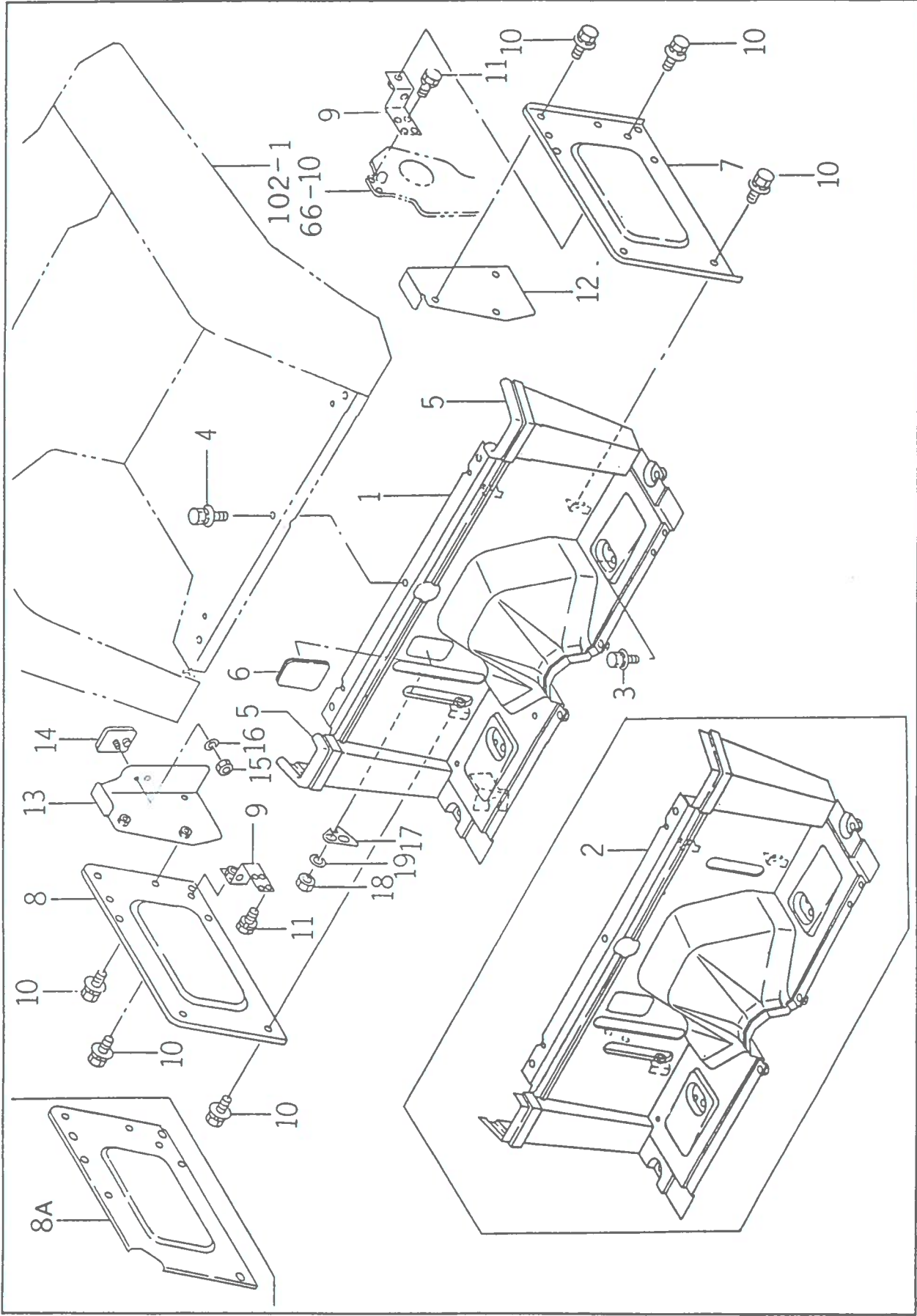
FIG #

106

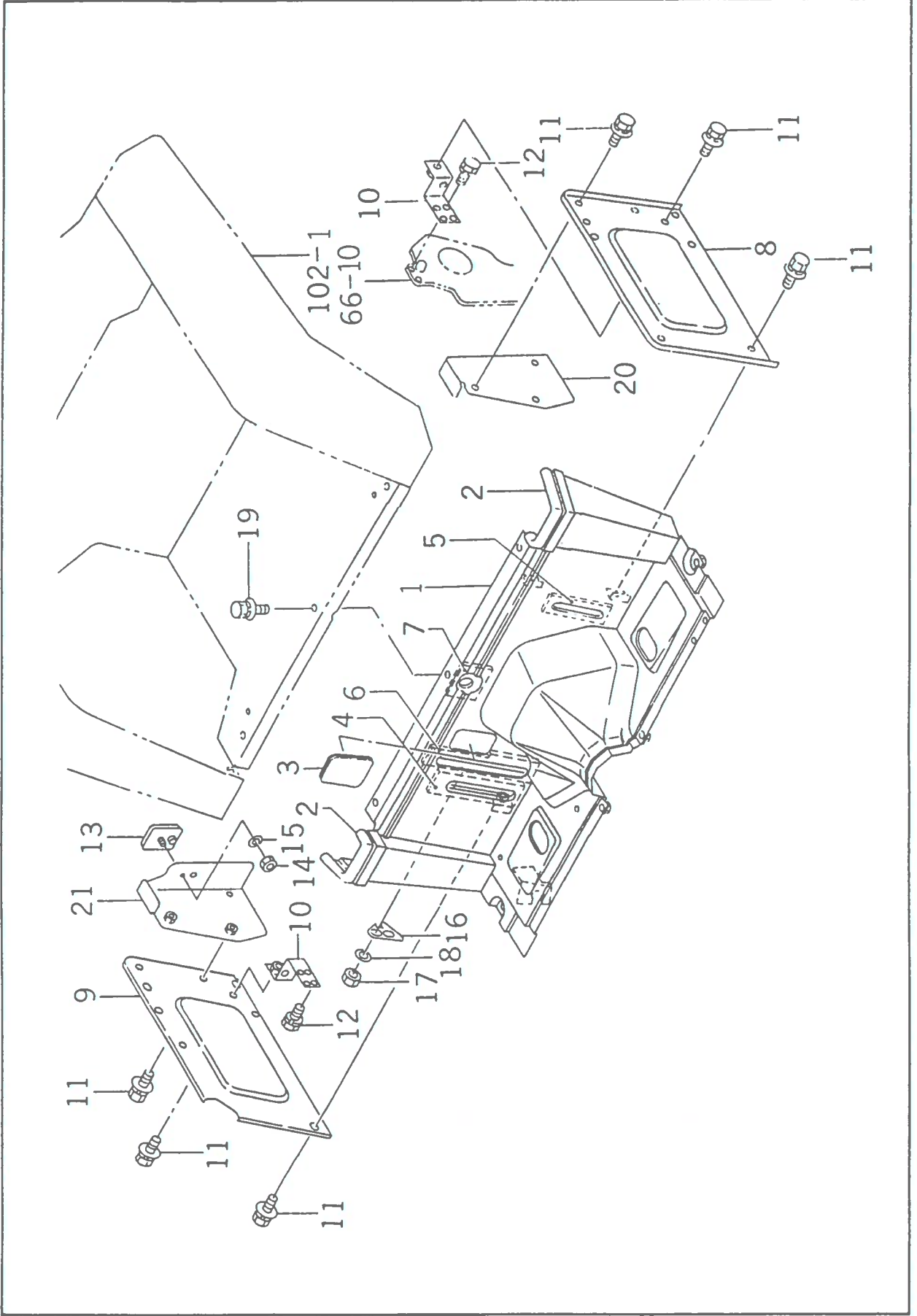
P. 228

KEY#	S C P H C G	PART CODE	DESCRIPTION	Q T Y	I T T C	S Y C	FROM	UPTO	REMARKS
1		1602-607-700-00	COVER, FRONT B COMP	1					
2		1602-607-710-10	COVER, FRONT/BE20COMP	1				333	
3		1550-607-003-00	TRIM, FENDER	2					
4		1602-607-070-00	INSULATOR, COVER A	1					
5		1602-607-071-00	INSULATOR, COVER B	1					
6		1602-607-072-00	INSULATOR, COVER C	1					
7		1602-607-073-00	INSULATOR, COVER D	1					
8		1602-607-075-00	INSULATOR, COVER F	1					
9		1600-607-001-00	COVER, SIDE/LH	1					
10		1600-607-002-10	COVER, SIDE/LH	1					
11		1602-607-210-00	PLATE, COVER SIDE/COMP	2					
12		V211-360-801-20	BOLT, SEMS	6					
13		V211-260-801-60	BOLT, SEMS (S) M8X16	2					
14		1518-621-560-00	REFLECTOR ASSY	2					
15		V301-260-006-00	NUT/M 6	2					
16		V401-160-006-00	WASHER, SP/M 6	2					
17		1600-607-003-10	PLATE, LOCK	1					
18		V304-260-008-00	NUT/M 8	2					
19		V401-160-008-00	WASHER, SP/M 8	2					
20		V211-360-801-60	BOLT, SEMS (SP)	3					
21		1600-607-210-00	COVER, REAR/LH COMP	1					
22		1600-607-220-00	COVER, REAR/RH COMP	1					

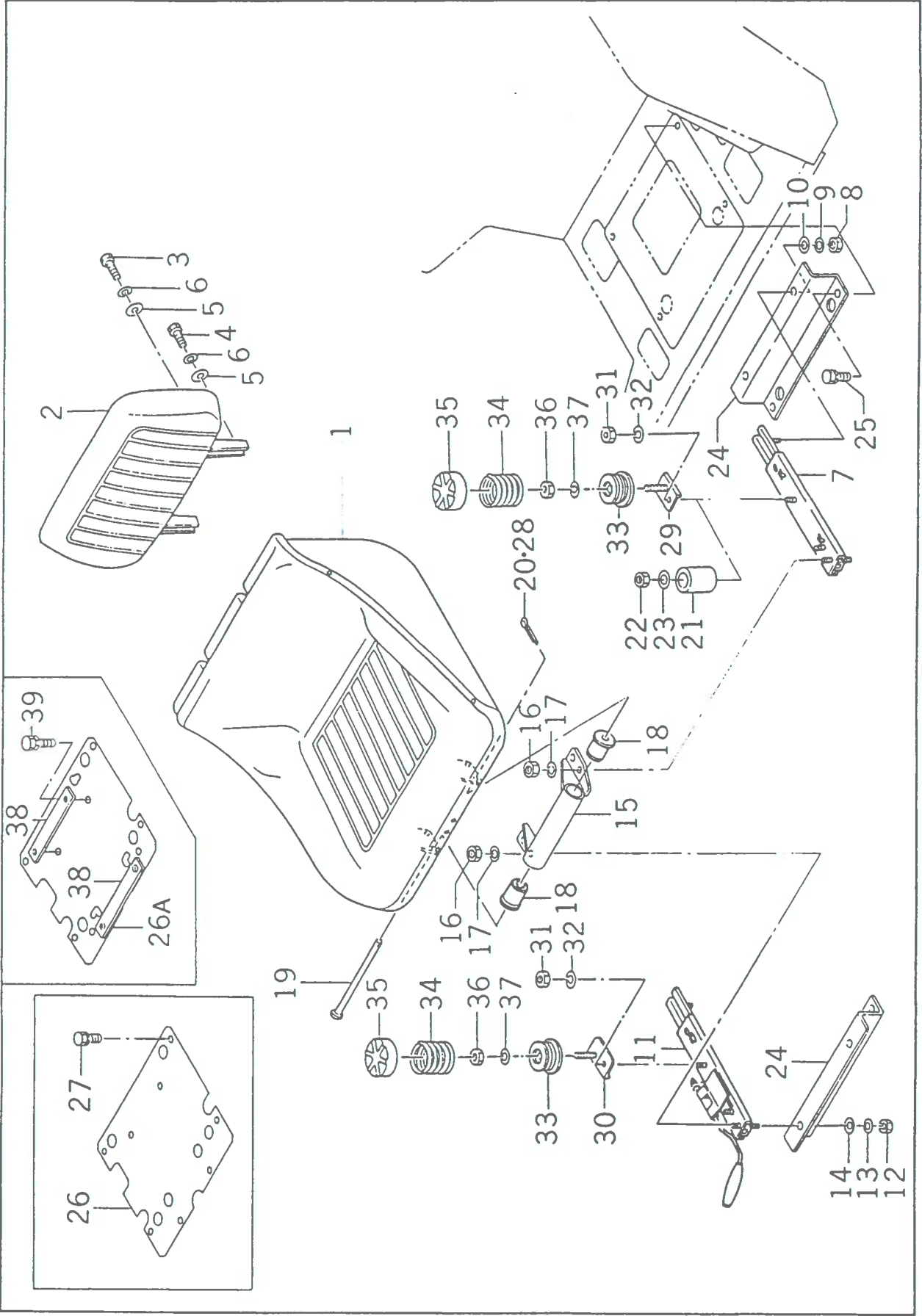
TU318FE



TU318FE



TU318FE.



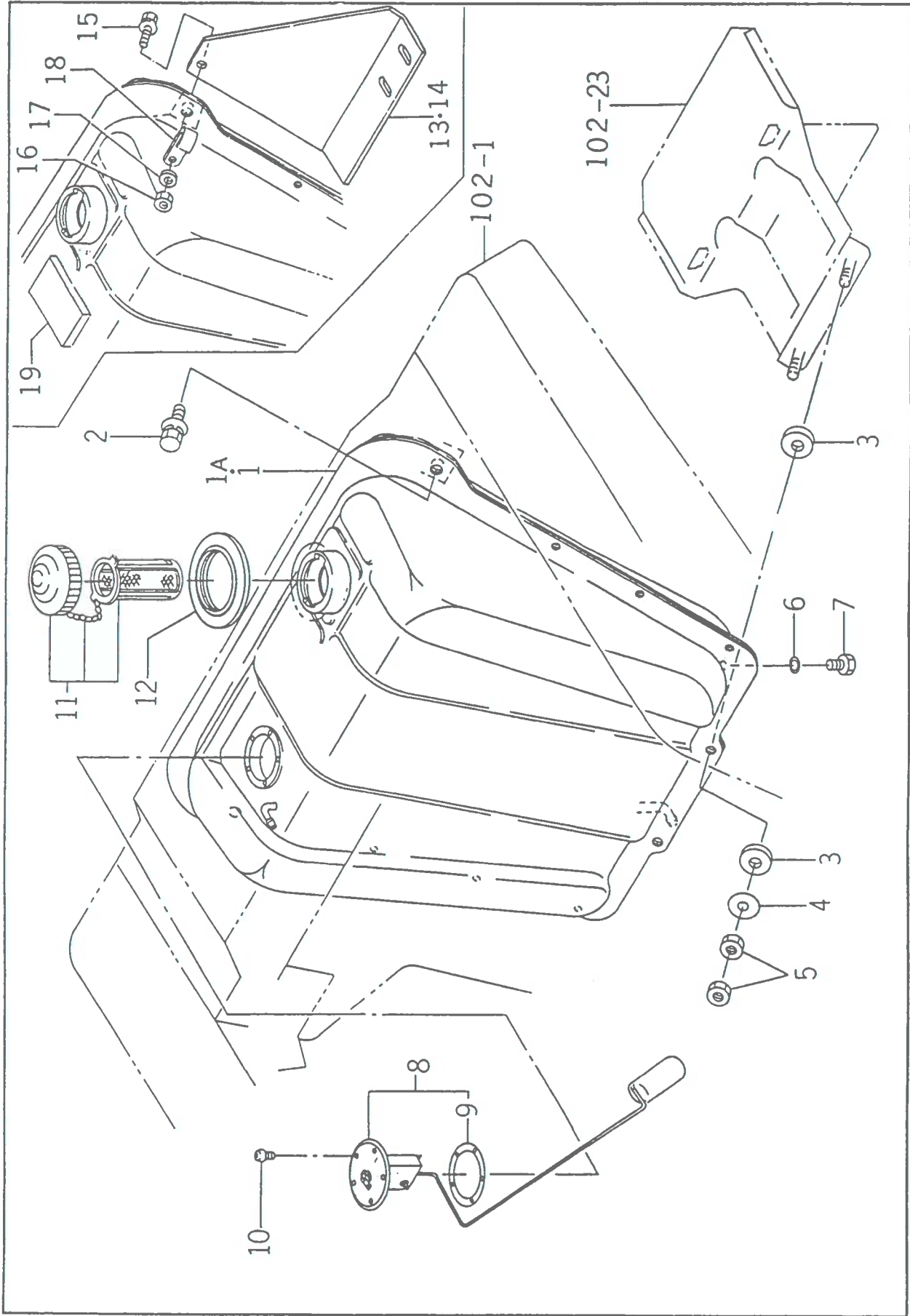
TU318F

FIG # 109

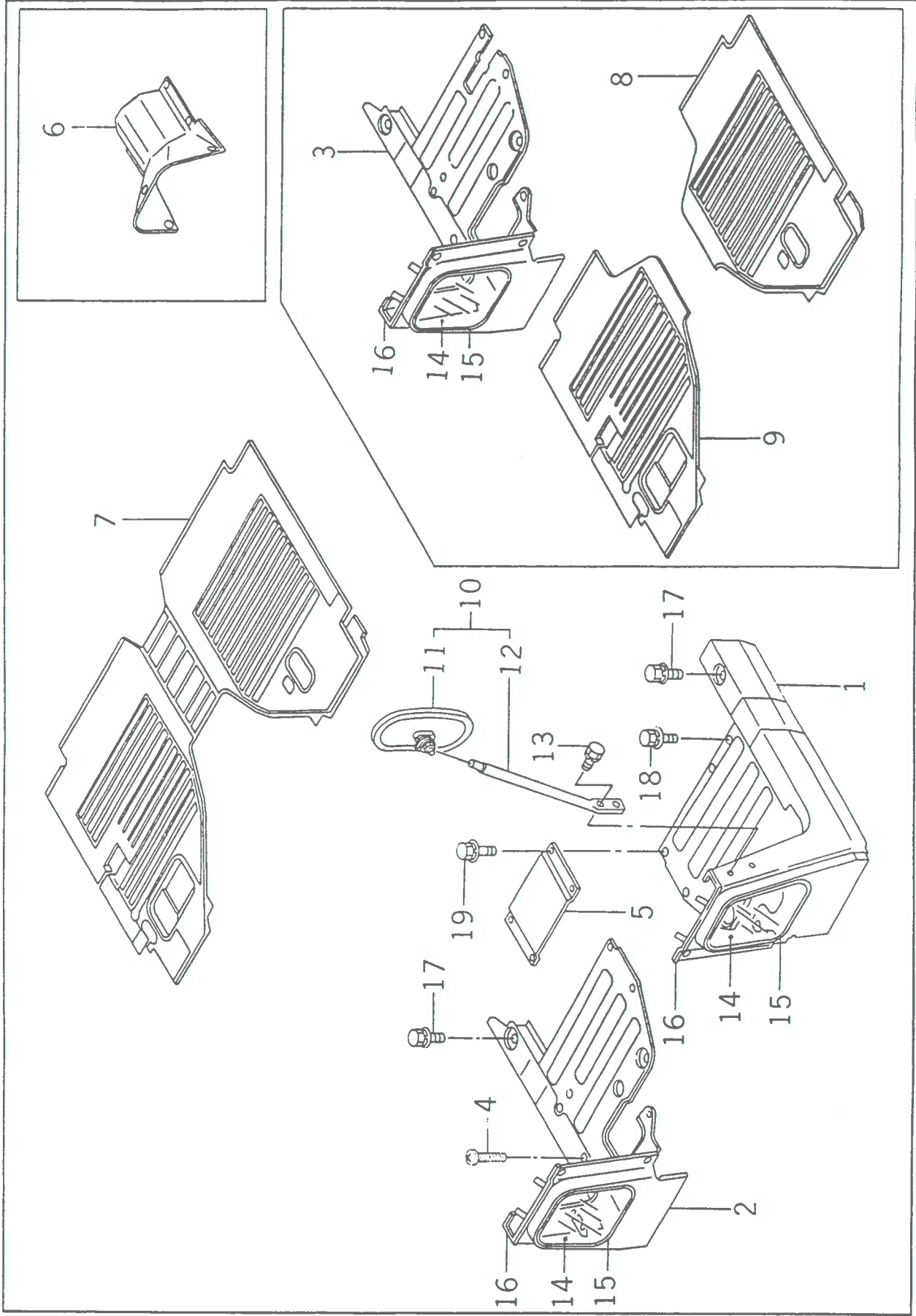
P. 234

KEY#	S C P H C G	PART CODE	DESCRIPTION	Q I S T T Y C C	BBEE2244555566EE	EEUUUUUUUUUUUUUUUU	HHHHHHHHHHHHHHHH	MMMMMMMMMMMMMMMM	UUUUUUUUUUUUUUUUUU	UUUUUUUUUUUUUUUUUU	UUUUUUUUUUUUUUUUUU	T F	FROM	UPTO	REMARKS
1		1427-611-201-00	SEAT, A	1	00	00	00	00	00	00	00				
2		1427-611-202-00	SEAT, B	1	00	00	00	00	00	00	00				
3		V200-260-603-00	BOLT/M 6X30	2	00	00	00	00	00	00	00				
4		V200-260-602-00	BOLT/M 6X20	2	00	00	00	00	00	00	00				
5		V413-160-006-00	WASHER, PL/M 6	4	00	00	00	00	00	00	00				
6		V401-160-006-00	WASHER, SP/M 6	4	00	00	00	00	00	00	00				
7		1544-611-210-00	ADJUSTER, SEAT/L ASSY	1	00	00	00	00	00	00	00				
8		V304-260-008-00	NUT/M 8	2	00	00	00	00	00	00	00				
9		V401-160-008-00	WASHER, SP/M 8	2	00	00	00	00	00	00	00				
10		V411-260-008-00	WASHER, PL/M 8	2	00	00	00	00	00	00	00				
11		1544-611-220-00	ADJUSTER, SEAT/R ASSY	1	00	00	00	00	00	00	00				
12		V304-260-008-00	NUT/M 8	4	00	00	00	00	00	00	00				
13		V401-160-008-00	WASHER, SP/M 8	4	00	00	00	00	00	00	00				
14		V411-260-008-00	WASHER, PL/M 8	4	00	00	00	00	00	00	00				
15		1544-611-200-00	BRACKET, SEAT COMP	1	00	00	00	00	00	00	00				
16		V304-260-008-00	NUT/M 8	4	00	00	00	00	00	00	00				
17		V401-160-008-00	WASHER, SP/M 8	4	00	00	00	00	00	00	00				
18		1488-611-001-00	RUBBER, CUSHION (A)	2	00	00	00	00	00	00	00				
19		1488-611-003-10	PIN, SEAT SET	1	00	00	00	00	00	00	00				
20		V500-162-502-00	PIN, SPLIT/2.5X20	1	00	00	00	00	00	00	00				
21		1575-611-001-00	INSULATOR	2	00	00	00	00	00	00	00				
22		V304-260-008-00	NUT/M 8	2	00	00	00	00	00	00	00				
23		V411-260-008-00	WASHER, PL/M 8	2	00	00	00	00	00	00	00				
24		1600-611-003-00	PLATE, Z/77X295	2	00	00	00	00	00	00	00				
25		V211-260-801-60	BOLT, SEMS (S) M8X16	4	00	00	00	00	00	00	00				
26		1600-611-004-20	BRACKET, SEAT	1	0000	0000	00	00	00	00	0000		170	169	
26A		1600-611-004-30	BRACKET, SEAT	1	0000	0000	00	00	00	00	0000				
27		V211-260-801-60	BOLT, SEMS (S) M8X16	4	0000	0000	00	00	00	00	0000				
28		V500-152-502-00	PIN, SPLIT/2.5X20	1	0000	0000	00	00	00	00	0000				
29		1516-611-200-0*	PLATE, SET LH COMP	1	00	00	00	00	00	00	00				
30		1516-611-210-0*	MIRROR BLACK PLATE, SET RH COMP	1	00	00	00	00	00	00	00				
31		V304-260-008-00	NUT/M 8	2	00	00	00	00	00	00	00				
32		V401-160-008-00	WASHER, SP/M 8	2	00	00	00	00	00	00	00				
33		1516-611-001-00	BUSH/50	2	00	00	00	00	00	00	00				
34		1516-611-002-00	SPRING, PRESSURE/65	2	00	00	00	00	00	00	00				
35		1516-611-004-00	COVER, RUBBER	2	00	00	00	00	00	00	00				
36		V304-260-008-00	NUT/M 8	2	00	00	00	00	00	00	00				
37		V401-160-008-00	WASHER, SP/M 8	2	00	00	00	00	00	00	00				
38		1600-611-070-00	PLATE	2	00	00	00	00	00	00	00				
39		V211-260-802-50	BOLT/S	4	00	00	00	00	00	00	00				

TU318FE

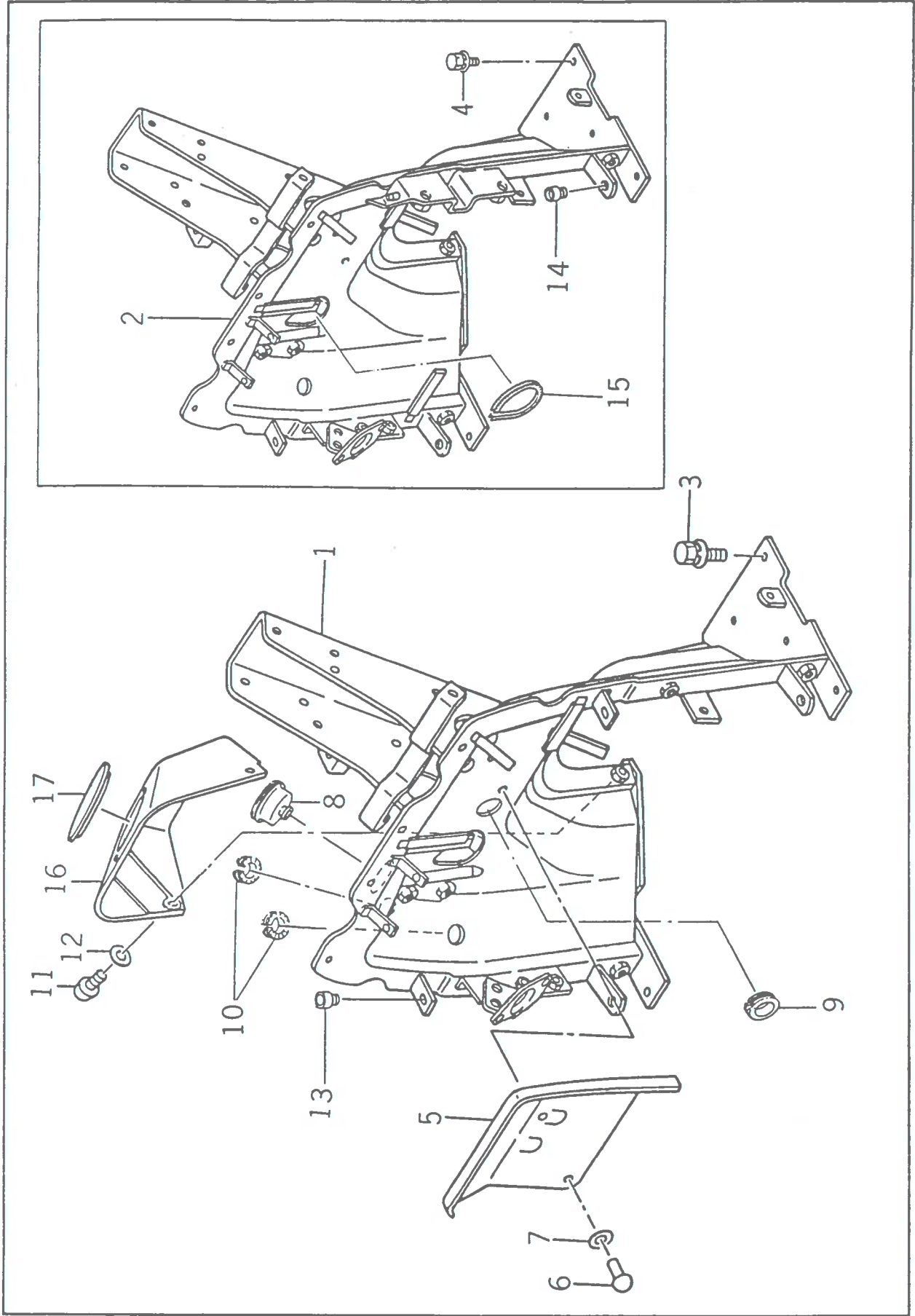


TU318FE



KEY#	S C P H C G	PART CODE	DESCRIPTION	Q I S T T Y C C	FROM	UPTO	REMARKS
1		1600-616-200-00	STEP, LH COMP	1			
2		1600-616-210-00	STEP, RH COMP	1			
3		1600-616-510-00	STEP, RH COMP	1			
4		1444-621-017-00	SCREW M612	3			
5		1544-616-001-00	CENTER, FLOOR	1			
6		1548-616-210-00	FLOOR, CENTER COMP	1			
7		1602-616-001-10	MAT, FLOOR	1			
8		1600-616-051-00	MAT, FLOOR/HST/LH	1			
9		1600-616-052-10	MAT, FLOOR/HST/RH	1			
10		1600-619-200-10	MIRROR SET	1			
11		1541-621-210-00	MIRROR ASSY	1			
12		1600-619-001-10	STAY, MIRROR	1			
13		V211-260-802-00	BOLT, SEMS (S)	2			
14		1600-616-001-00	GLASS, STEP	2			
15		1544-616-005-00	GUM, SEAL, STEP	2			
16		1600-616-005-00	INSULATOR, STEP FOOD	2			
17		V211-660-801-60	BOLT/M8X16	6			
18		V210-360-601-60	BOLT(SP)/M6X16	4			
19		V211-360-801-60	BOLT, SEMS (SP)	4			

TU318FE



TU318F

FIG # 112

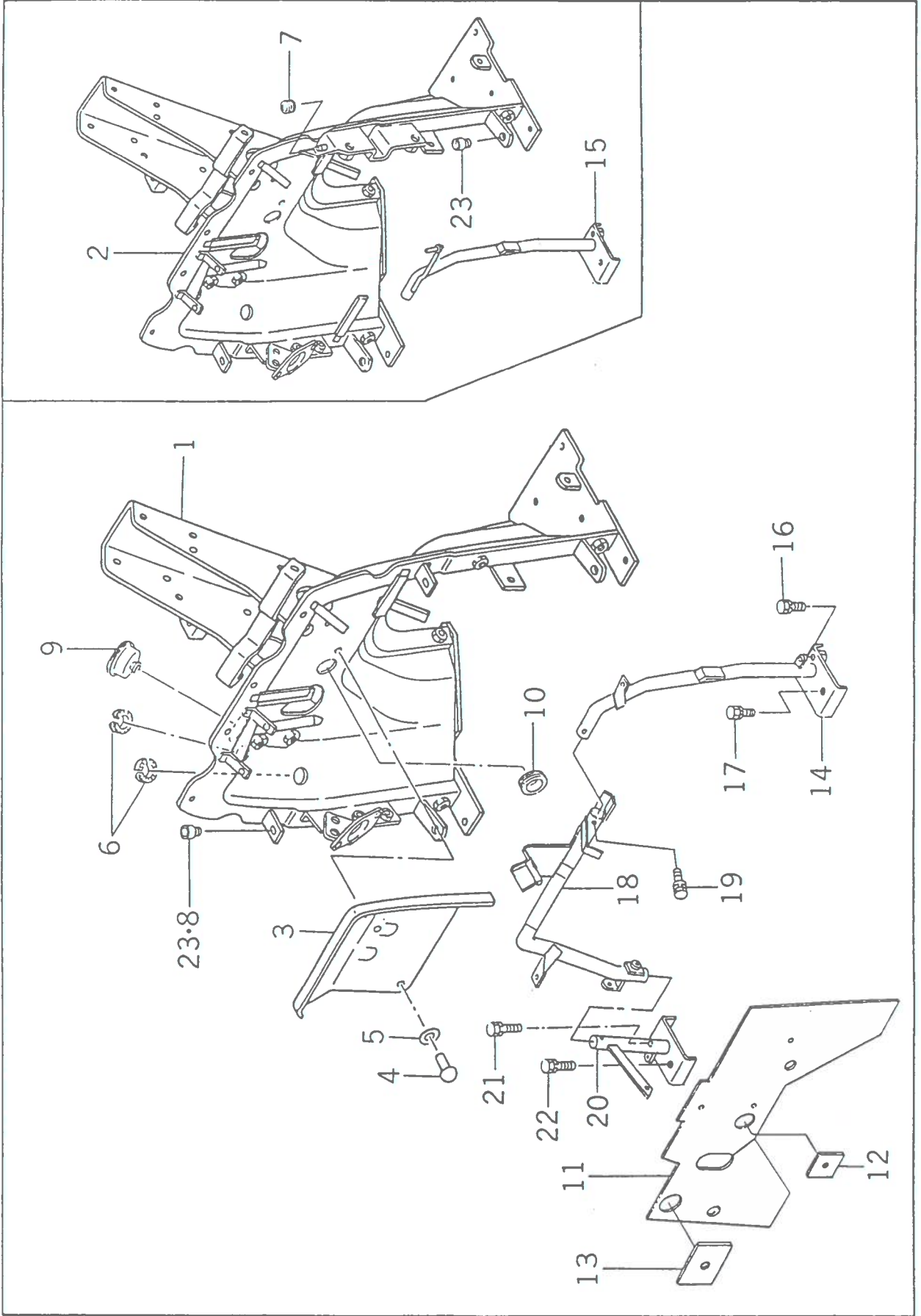
P. 240

KEY#	S P C	C P C	PART CODE	DESCRIPTION	Q T Y	I T Y	S T C										FROM	UPTO	REMARKS
1			1600-616-220-00	PANEL DASH COMP	1														
2			1600-616-300-00	PANEL DASH COMP	1														
3			V211-660-801-60	BOLT/M8X16	4														
4			V211-660-802-00	BOLT/8X20	4														
5			1575-616-004-00	INSULATOR	1														
6			W296-134-007-00	RIVET, BLIND	5														
7			1480-604-204-00	WASHER	5														
8			1544-616-013-00	GROMMET, WATER CABLE	1														
9			1488-541-015-00	GROMMET 14X28X2	1														
10			1600-616-006-00	INSULATOR/75	2														
11			1444-621-017-00	SCREW M612	3														
12			1480-603-002-00	WASHER M6	3														
13			1544-616-011-00	GUM, CUSHION	4														
14			1544-616-011-00	GUM, CUSHION	3														
15			1600-616-007-00	GROMMET	1														
16			1544-616-003-10	COVER, CENTER	1														
17			1432-654-007-00	CAP, RUBBER (80)	1														

BBEEEEEHHHHHHHHHHHHHHMMMMMMMMMMMMMMMMMMMMMMMMMMMMMMMMMMMM
 EE2244555566EEEEEUU
 221212112211221125566BBEEEEEUUUUUUUUUUUUUUUUUUUUUUUUUUUUUUUU
 12 T T T 1212EE244566EE2EEEE224121122112211221122112211221122
 222122122222445122 GG TT
 22 GG 12 2122 S
 C GG

T	F	FROM	UPTO	REMARKS

TU318FE



TU318F

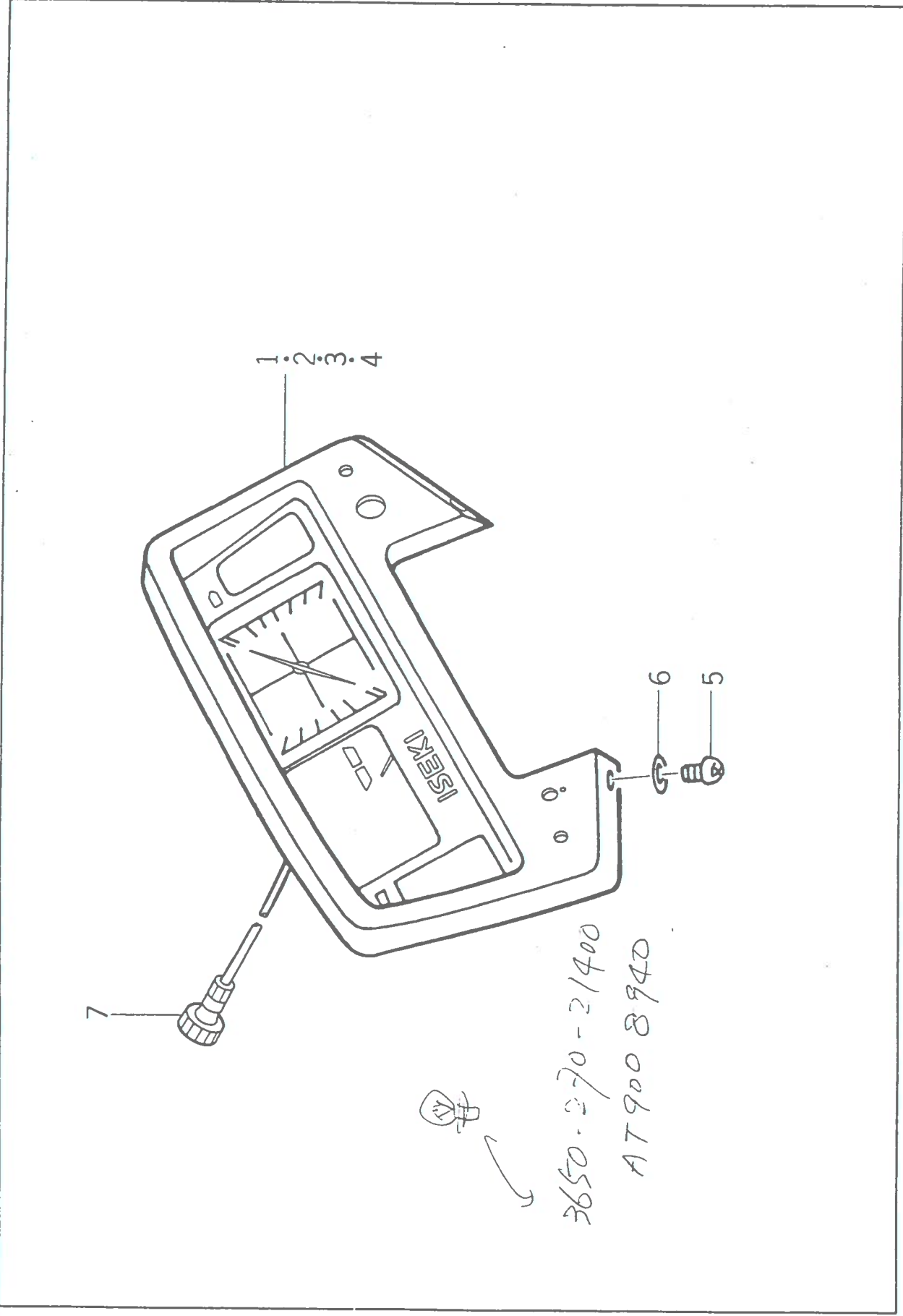
FIG # 113

P. 242

EEEEEEEEEEEEEEEEEEEEEEEEEEEEEEEEEEEE
 EE22445555666666UUUUUUUUUUUUUUUUUUUU
 2212121122125566BBEEEEEEEEE22444455566
 12 T T 1212EE244566EE2EEEE22412112211212
 22212212222445122 G G T T
 22 GG 12 2122 S
 GG
 T
 T

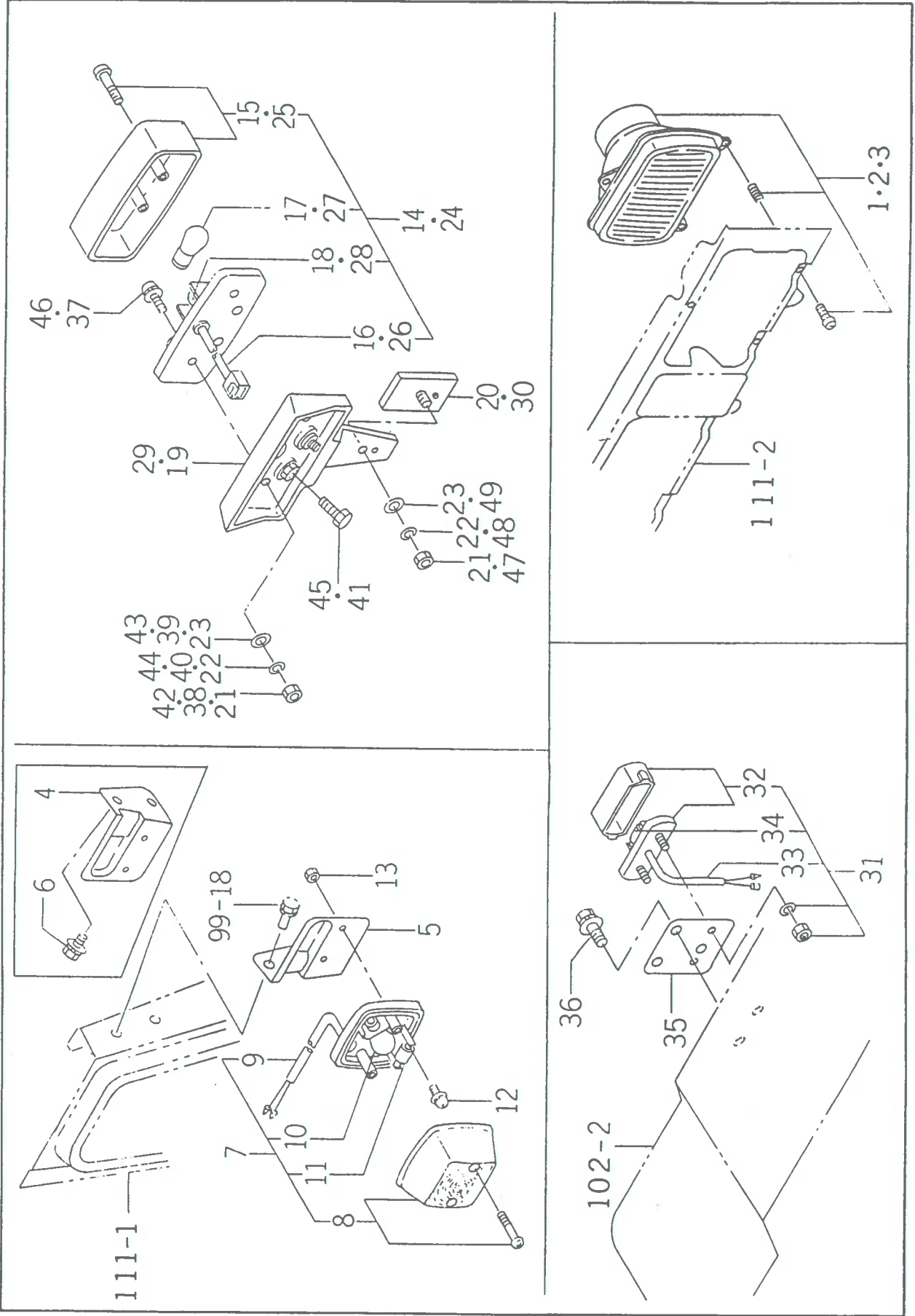
KEY#	S P H C G	PART CODE	DESCRIPTION	Q T T Y C C	I S	T T	FROM	UPTO	REMARKS
1		1600-616-700-10	PANEL, DASH/B COMP	1		00			
2		1600-616-720-10	PANEL, DASH/B COMP	1		00			
3		1575-616-004-00	INSULATOR	1		00			
4		W296-134-007-00	RIVET, BLIND	5		00			
5		1480-604-204-00	WASHER	5		00			
6		1600-616-006-00	INSULATOR/75	2		00			
7		1600-616-007-00	GROMMET	1		00			
8		1544-616-011-00	GUM, CUSHION	4		00			
9		1544-616-013-00	GROMMET, WATER CABLE	1		00			
10		1488-541-015-00	GROMMET/14X28X2	1		00			
11		1600-616-070-10	INSULATOR, PANEL/A	1		00			
12		1600-616-071-00	INSULATOR, PANEL/B	1		00			
13		1600-616-072-00	INSULATOR, PANEL/C	1		00			
14		1600-616-800-10	BRACKET, HOOD/LH COMP	1		00			
15		1600-616-840-00	BRACKET, HOOD/LH COMP	1		00			
16		V211-260-803-00	BOLT, SEMS	1		00			
17		V211-261-002-00	BOLT, SEMS	1		00			
18		1600-616-820-10	BRACKET, HOOD/SENER	1		00			
19		V211-360-804-00	BOLT/M8X40	2		00			
20		1600-616-830-10	BRACKET, HOOD/RH COMP	1		00			
21		V211-260-803-00	BOLT, SEMS	1		00			
22		V211-261-002-00	BOLT, SEMS	1		00			
23		1544-616-011-00	GUM, CUSHION	3		00			

TU318FE



KEY#	S C P H C G	PART CODE	DESCRIPTION	Q I T Y	J T Y C	S C	BBEEEEEE EE2244555566 221212112212556688 12 TT 1212EE244566EE 22212212222445122 22 GG 12 2122 S C GG	HHHHHH UUUUUU EEEEEE 22445566 12 TT	MMMMMM UUUUUU BBBBBB 22445566 GG TT	UUUUUU UUUUUU UUUUUU UUUUUU UUUUUU	UUUUUU UUUUUU UUUUUU UUUUUU UUUUUU	UUUUUU UUUUUU UUUUUU UUUUUU UUUUUU	REMARKS
1		1600-621-200-00	PANEL. INSTRUMENT ASS	1			0000000000	00	000000	00000000	0000000000	0000000000	
2		1602-621-500-00	PANEL. INSTRUMENT ASSY	1			00	00	000000	000000	00000000	0000000000	
3		1602-621-300-00	PANEL. E60 ASSY	1			00	00	000000	000000	00000000	0000000000	
4		1602-621-600-00	PANEL. ME60 ASSY	1			00	00	000000	000000	00000000	0000000000	
5		1480-603-001-00	SCREW	4			0000000000	000000	000000	00000000	0000000000	0000000000	
6		1480-603-002-00	WASHER M6	4			0000000000	000000	000000	00000000	0000000000	0000000000	
7		1491-621-001-00	CABLE. METER	1			0000000000	000000	000000	00000000	0000000000	0000000000	

TU318FE



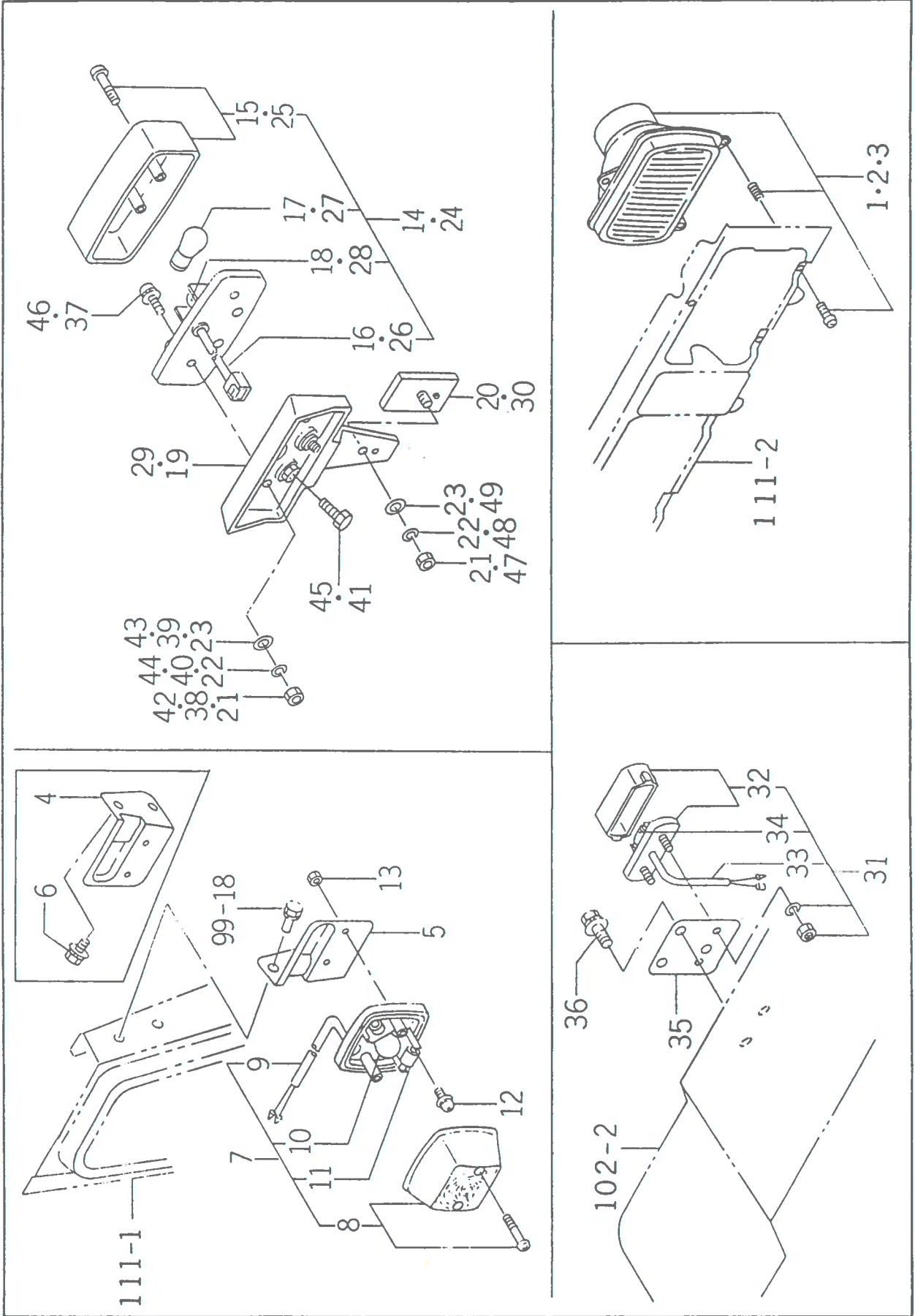
TU318F

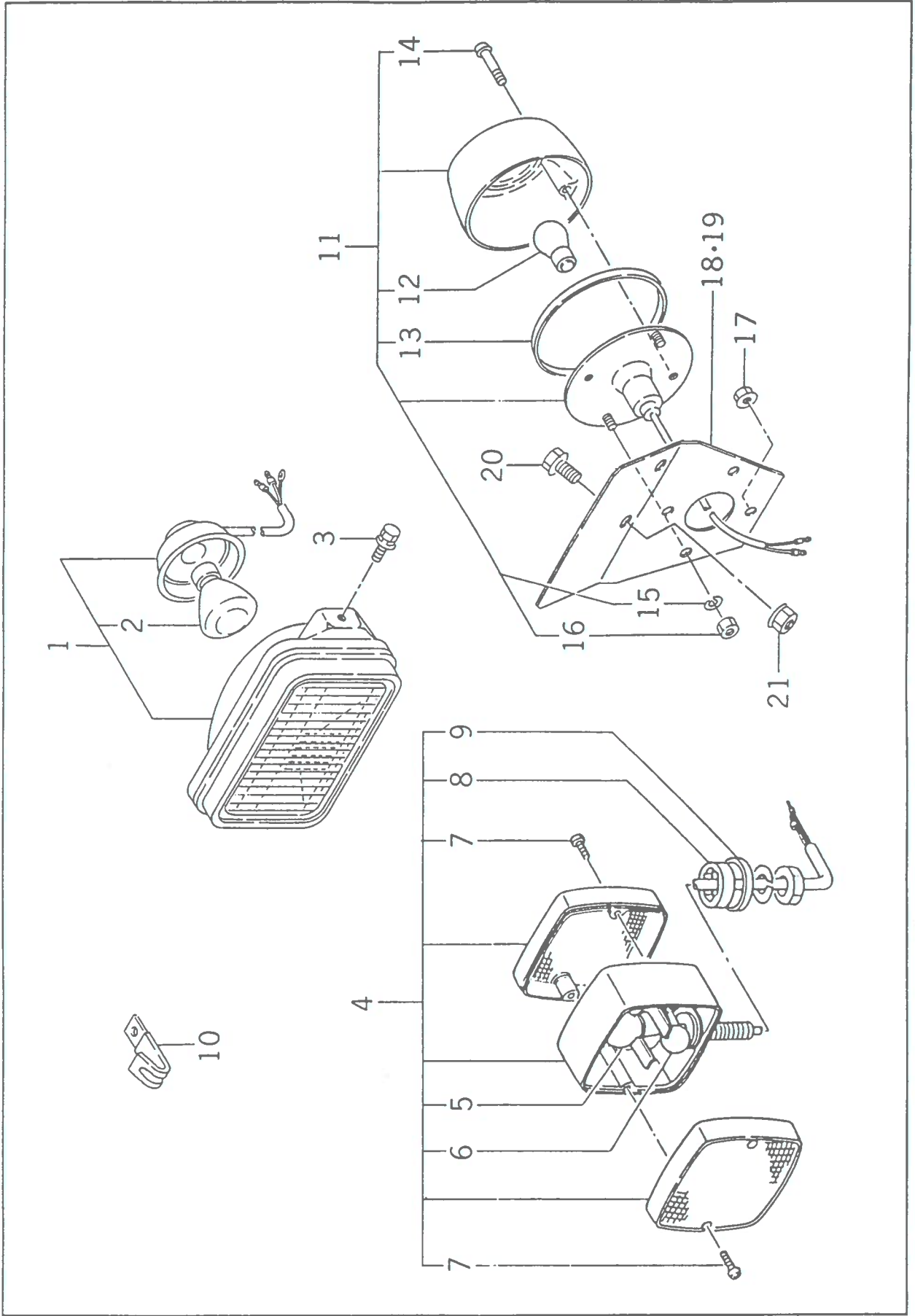
FIG # 115

P. 246

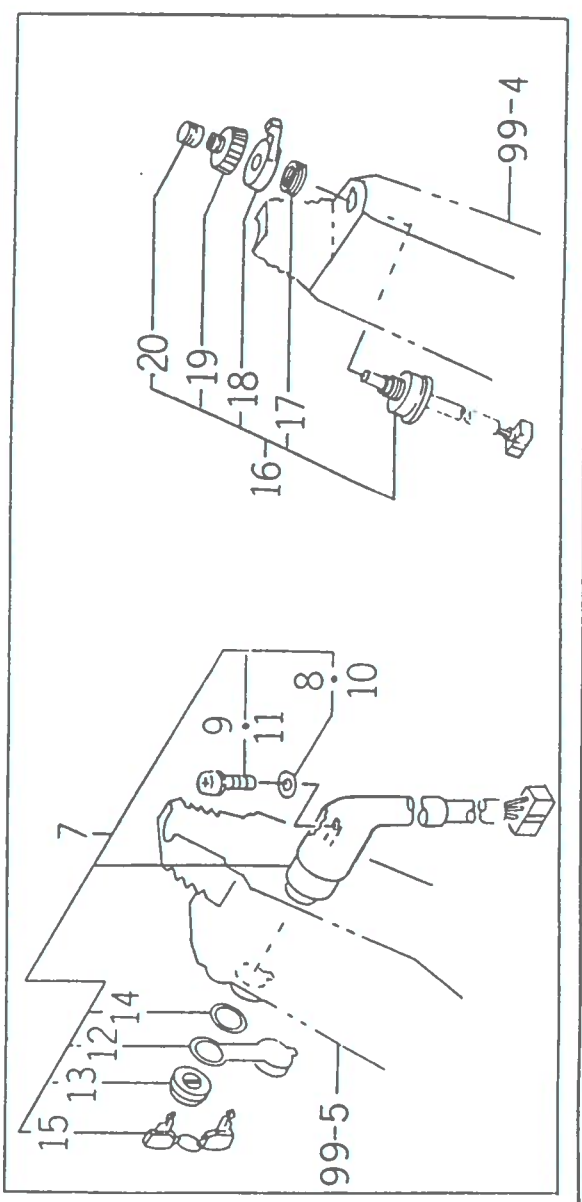
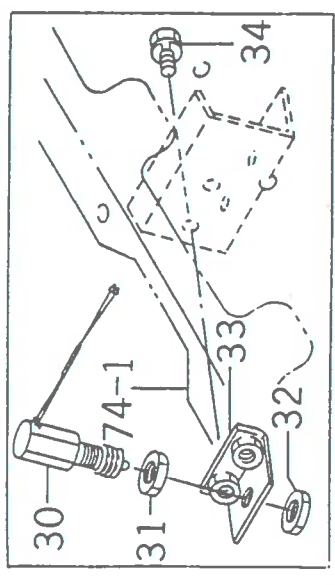
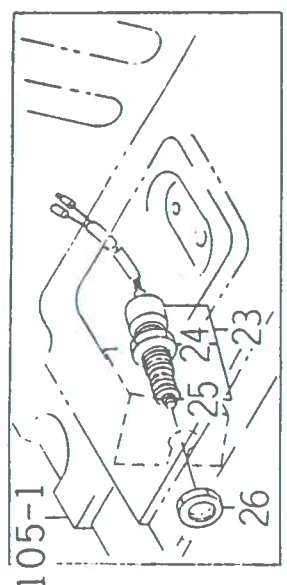
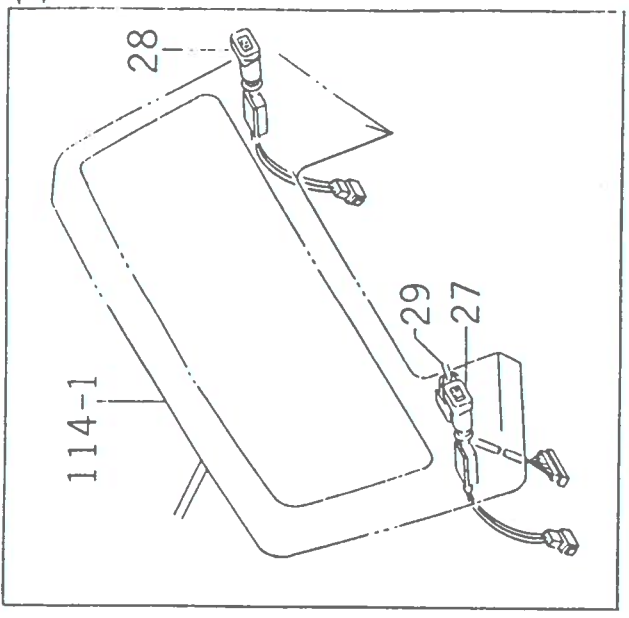
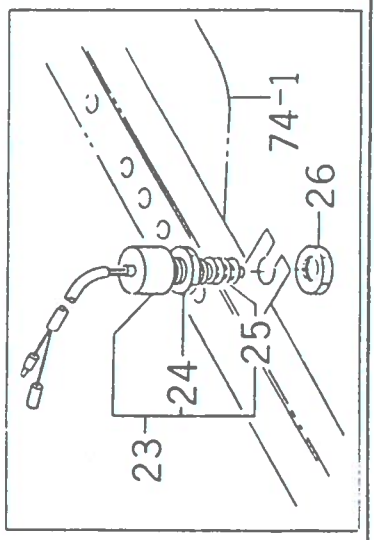
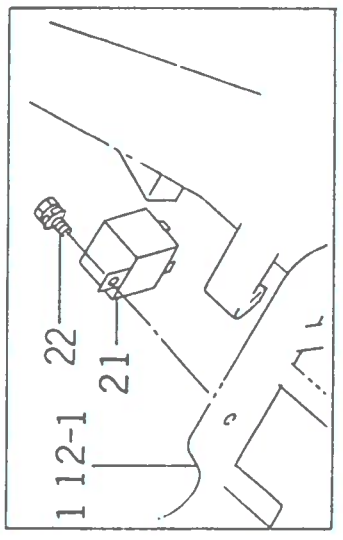
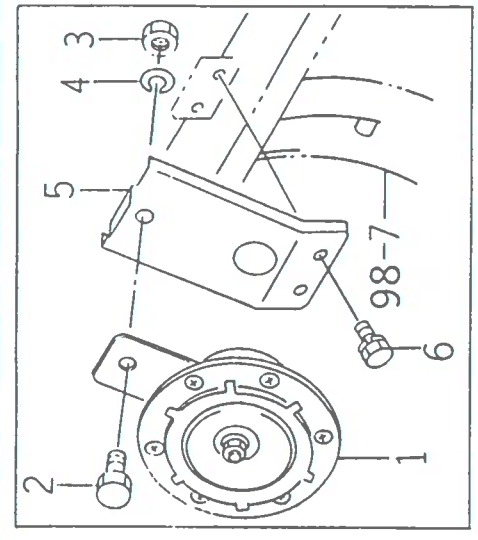
KEY#	S C	P H	C G	PART CODE	DESCRIPTION	Q T	I T	S C	Y L C	U P T O	FROM	UPTO	REMARKS
1	A	A	A	1600-622-004-10	LAMP, HEAD ASSY	2	A	000000	0000	0000	0000	000000	A2486.04
2	A	A	A	1600-622-005-10	LAMP, HEAD/F	2	A	000000	00	00	00	0000	A1916
3	A	A	A	1600-622-004-10	LAMP, HEAD/G ASSY	2	A	000000	00	00	00	0000	A2928.04
4	A	A	A	1600-622-005-10	COVER, LAMP/Front/LH	1	A	000000	00	00	00	0000	
5	A	A	A	1600-622-005-10	COVER, LAMP/Front/RH	1	A	000000	00	00	00	0000	
6	A	A	A	V211-360-801-60	BOLT, SEMS (SP)	2	A	000000	00	00	00	0000	
7	A	A	A	1600-622-005-10	LAMP	2	A	000000	00	00	00	0000	
8	H	H	H	1600-622-231-00	LAMP ASSY	2	A	000000	00	00	00	0000	2HE-003-014-251
9	H	H	H	1600-622-231-00	HARNASS, LAMP/Front	2	A	000000	00	00	00	0000	8GA-002-073-121
10	H	H	H	1600-622-231-00	BULB/12V.21W	2	A	000000	00	00	00	0000	8GM-002-092-121
11	H	H	H	V120-364-001-20	BULB/12V.5W	2	A	000000	00	00	00	0000	
12	H	H	H	V301-260-004-00	SCREW, SP/M4X12	4	A	000000	00	00	00	0000	
13	H	H	H	V301-260-004-00	NUT/M4	4	A	000000	00	00	00	0000	
14	H	H	H	1600-622-251-00	LAMP LH SET	1	A	000000	00	00	00	0000	
15	H	H	H	1600-622-251-00	LAMP LH ASSY	1	A	000000	00	00	00	0000	25D 003-184-031
16	H	H	H	1600-622-251-00	HARNASS, LAMP/REAR	1	A	000000	00	00	00	0000	8GA-002-073-121
17	H	H	H	1600-622-003-00	BULB/12V.21W	2	A	000000	00	00	00	0000	8GA-002-071-131
18	H	H	H	1600-622-003-00	BULB/12V10W	1	A	000000	00	00	00	0000	
19	H	H	H	1600-622-321-00	COVER, LAMP/REAR	1	A	000000	00	00	00	0000	
20	H	H	H	1600-622-321-00	REFLECTOR	1	A	000000	00	00	00	0000	
21	H	H	H	V301-260-006-00	NUT/M 6	3	A	000000	00	00	00	0000	
22	H	H	H	V401-160-006-00	WASHER, SP/M 6	3	A	000000	00	00	00	0000	
23	H	H	H	V411-260-006-00	WASHER / M6	3	A	000000	00	00	00	0000	
24	H	H	H	1600-622-251-00	LAMP RH SET	1	A	000000	00	00	00	0000	
25	H	H	H	1600-622-251-00	LAMP RH ASSY	1	A	000000	00	00	00	0000	25D-003-184-041
26	H	H	H	1600-622-251-00	HARNASS, LAMP/REAR	1	A	000000	00	00	00	0000	8GA-002-073-121
27	H	H	H	1600-622-003-00	BULB/12V.21W	2	A	000000	00	00	00	0000	8GA-002-071-131
28	H	H	H	1600-622-003-00	BULB/12V10W	1	A	000000	00	00	00	0000	
29	H	H	H	1600-622-003-00	COVER, LAMP/REAR	1	A	000000	00	00	00	0000	
30	H	H	H	1600-622-321-00	REFLECTOR	1	A	000000	00	00	00	0000	
31	H	H	H	1600-622-291-00	LAMP, NO PLATE SET	1	A	000000	00	00	00	0000	2KA-001-389-101
32	H	H	H	1600-622-291-00	LAMP, NO PLATE ASSY	1	A	000000	00	00	00	0000	8GM-002-092-121
33	H	H	H	1600-622-291-00	HARNASS, NUMBER PLATE	1	A	000000	00	00	00	0000	
34	H	H	H	1600-622-006-00	BULB/12V.5W	1	A	000000	00	00	00	0000	
35	H	H	H	1600-622-006-00	BROCKET, LAMP/NO-PLAT	1	A	000000	00	00	00	0000	
36	H	H	H	V211-360-801-60	BOLT, SEMS (SP)	2	A	000000	00	00	00	0000	
37	H	H	H	V120-365-002-00	SCREW, SEMS	2	A	000000	00	00	00	0000	
38	H	H	H	V301-260-005-00	NUT/M5	2	A	000000	00	00	00	0000	
39	H	H	H	V411-260-005-00	WASHER, PL/M 5	2	A	000000	00	00	00	0000	
40	H	H	H	V401-160-005-00	WASHER, SP/M 5	2	A	000000	00	00	00	0000	
41	H	H	H	V200-260-801-60	BOLT/M8X16	2	A	000000	00	00	00	0000	
42	H	H	H	V301-260-805-00	NUT/M5	2	A	000000	00	00	00	0000	
43	H	H	H	V411-260-005-00	WASHER, PL/M 5	2	A	000000	00	00	00	0000	
44	H	H	H	V401-160-005-00	WASHER, SP/M 5	2	A	000000	00	00	00	0000	
45	H	H	H	V200-260-801-60	BOLT/M8X16	2	A	000000	00	00	00	0000	

TU318FE





TU318FE



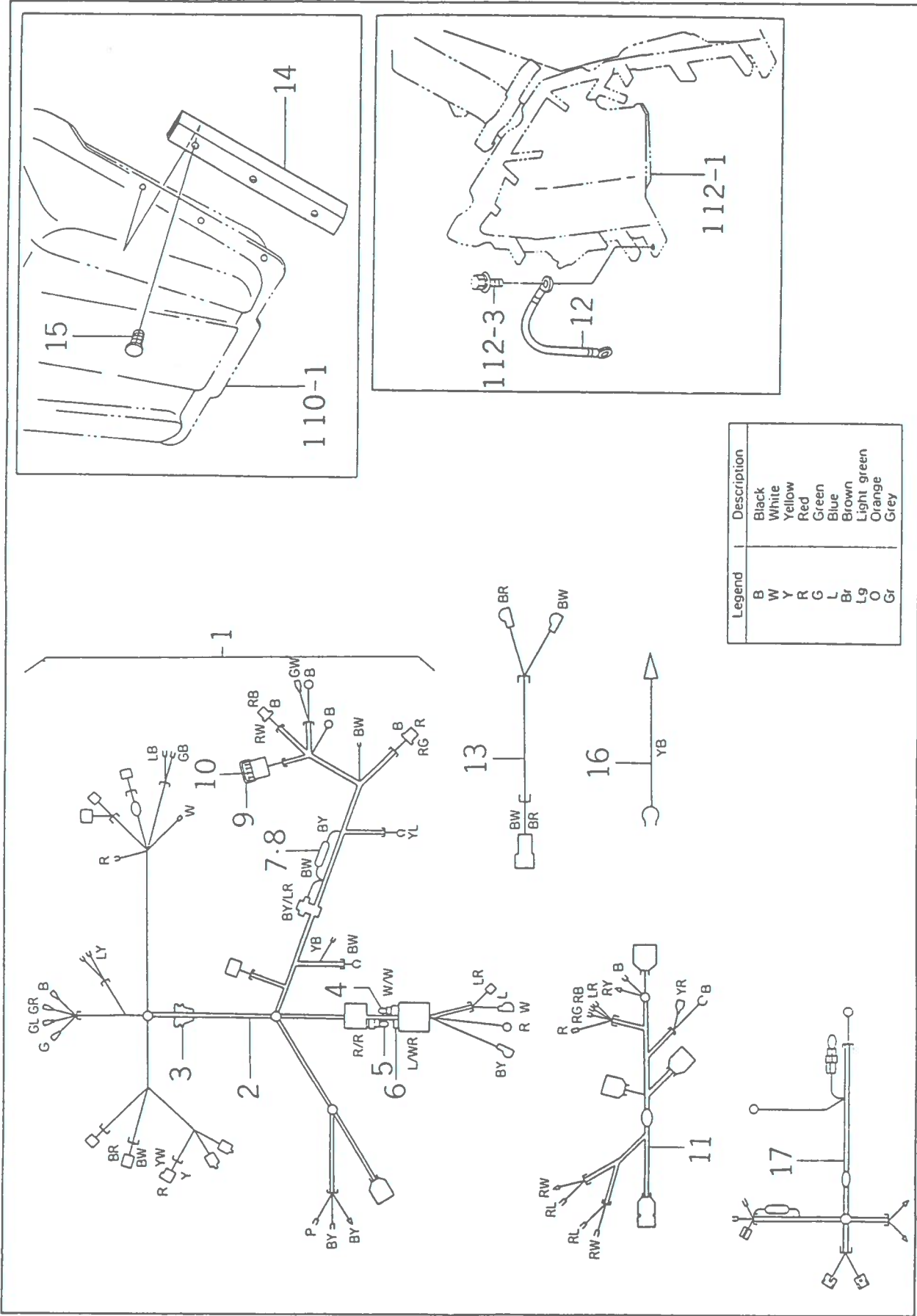
TU318F

FIG # 117

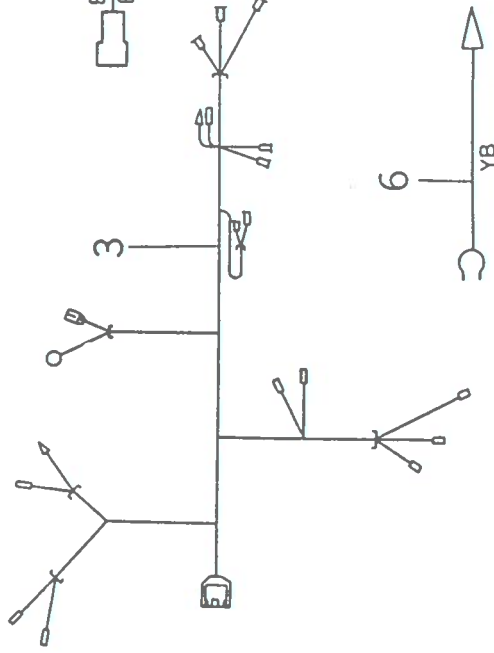
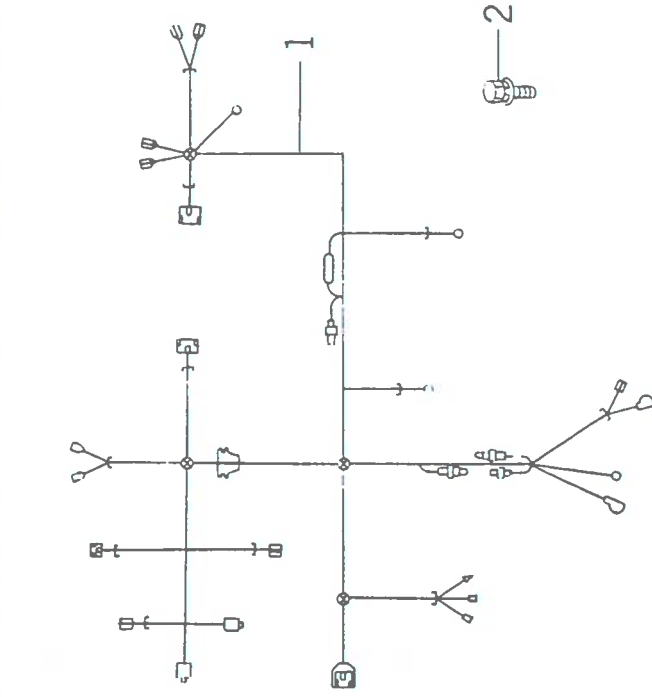
P. 252

KEY#	S C	P H	C G	PART CODE	DESCRIPTION	Q I S	T T C	Y C	FROM	UPTO	REMARKS
1				1509-623-001-00	HORN	1					
2				V201-260-801-60	BOLT/M 8X16	1					
3				V304-260-008-00	NUT/M 8	1					
4				V401-160-008-00	WASHER, SP/M 8	1					
5				1600-623-001-00	STAY, HORN	1					
6				V210-260-601-60	BOLT, SEMS (S)	2					
7				1575-623-210-00	SWITCH, STARTER ASSY	1					
8				V411-150-004-00	WASHER, PL/M4	3					
9				V120-264-000-80	SCREW, PLUS/M4X8	3					
10				V411-150-005-00	WASHER, PL/M 5	3					
11				V120-265-000-80	SCREW, PLUS/M5X0.8X8	3					
12				1444-621-311-00	CAP	1					
13				1444-621-312-00	NUT, RING/M28X1.0	1					
14				1444-621-313-00	WASHER	1					
15				1444-621-320-00	KEY ASSY	1					
16				1544-623-001-00	SWITCH ASSY	1					
17				1544-623-232-00	NUT/M22	1					
18				1544-623-233-00	LEVER	1					
19				1544-623-234-00	KNOB	1					
20				1544-623-235-00	BOOT	1					
21	H			V210-360-601-60	FLASHER ASSY	1					
22				1491-623-220-10	BOLT (SP)/M6X16	1					
23				1491-623-222-00	SWITCH, SAFETY ASSY	2					
24				1491-623-222-00	NUT/M20	2					
25				1491-623-223-00	BOOT	2					
26				1491-623-223-00	NUT/M20	2					
27				1600-623-200-00	SWITCH	1					
28				1600-623-210-00	SWITCH, LAMP ASSY	1					
29				1600-623-220-00	SWITCH, HAZARD ASSY	1					
30				1432-621-330-10	SWITCH, STOP LIGHT	1					
31				1432-621-006-10	NUT, LOCK	2					
32				1432-621-006-10	NUT, LOCK	1					
33				1600-623-230-00	STAY, SWITCH COMP	1					
34				V211-260-801-60	BOLT, SEMS (S) M8X16	2					
35				1444-621-260-00	SWITCH, SAFETY ASSY	1					

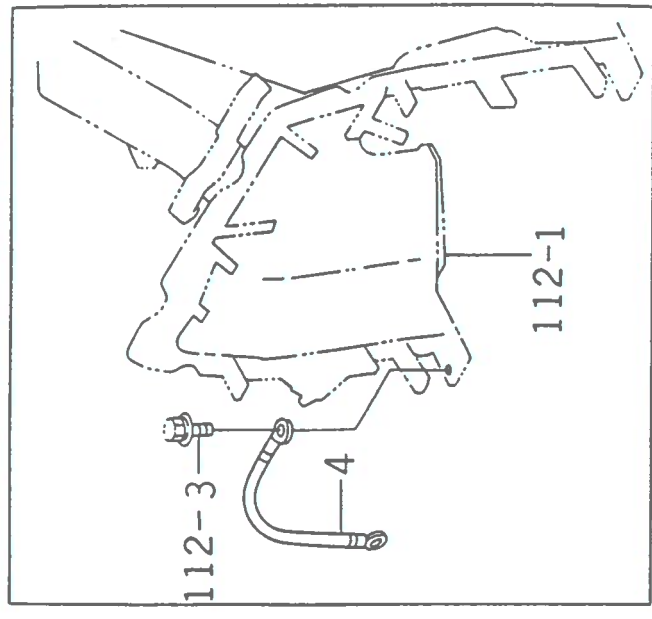
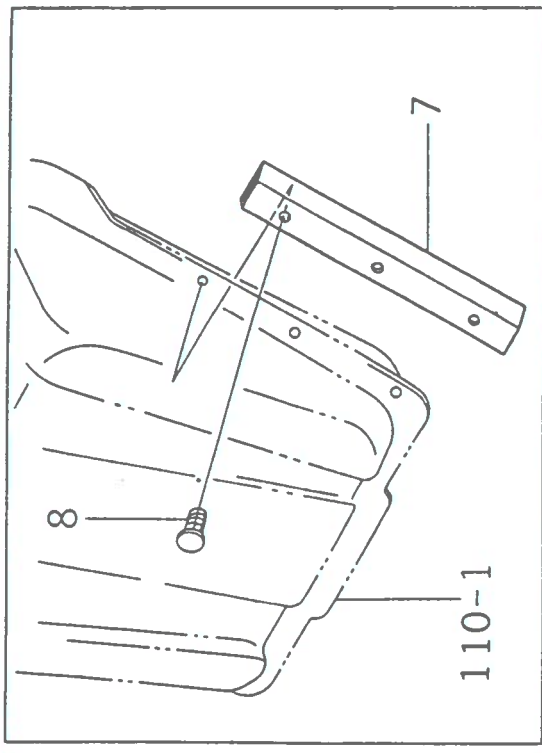
TU318FE



TU318FE



Legend	Description
B	Black
W	White
Y	Yellow
R	Red
G	Green
L	Blue
Br	Brown
Lg	Light green
O	Orange
Gr	Grey



TU318F

FIG # 119

[Blank Box]

P. 256

KEY#	S C P H C I G	PART CODE	DESCRIPTION	Q I S T T Y C C	12 T T	22 1 2 2 1 2 2 1 2 2 2 2 4 4 5 1 2 2	22 G G	12 G G	12 2 1 2 2 S	22 G G	12 2 1 2 2 S	22 G G	12 2 1 2 2 S	22 G G	12 2 1 2 2 S	22 G G	12 2 1 2 2 S	T F	FROM	UPTO	REMARKS
1		1602-624-600-00	HARNASS.NO. 1/E60ASSY	1	00	00	00	00	00	00	00	00	00	00	00	00	00				
2		V210-360-601-20	BOLT .SEMS/M6X12	1	00	00	00	00	00	00	00	00	00	00	00	00	00				
3		1602-624-610-00	HARNASS.NO. 2/E60ASSY	1	00	00	00	00	00	00	00	00	00	00	00	00	00				
4		1602-623-008-10	HARNASS.WIRE/NO.8	1	00	00	00	00	00	00	00	00	00	00	00	00	00				
5		1544-623-003-00	HARNASS.WIRE/NO.9	1	00	00	00	00	00	00	00	00	00	00	00	00	00				
6		1600-624-004-00	HARNASS.OIL PRESSURE	1	00	00	00	00	00	00	00	00	00	00	00	00	00				
7		1600-624-002-00	COVER.HARNASS	2	00	00	00	00	00	00	00	00	00	00	00	00	00				
8		1527-604-002-00	CLIP(B)	6	00	00	00	00	00	00	00	00	00	00	00	00	00				

TU318FE

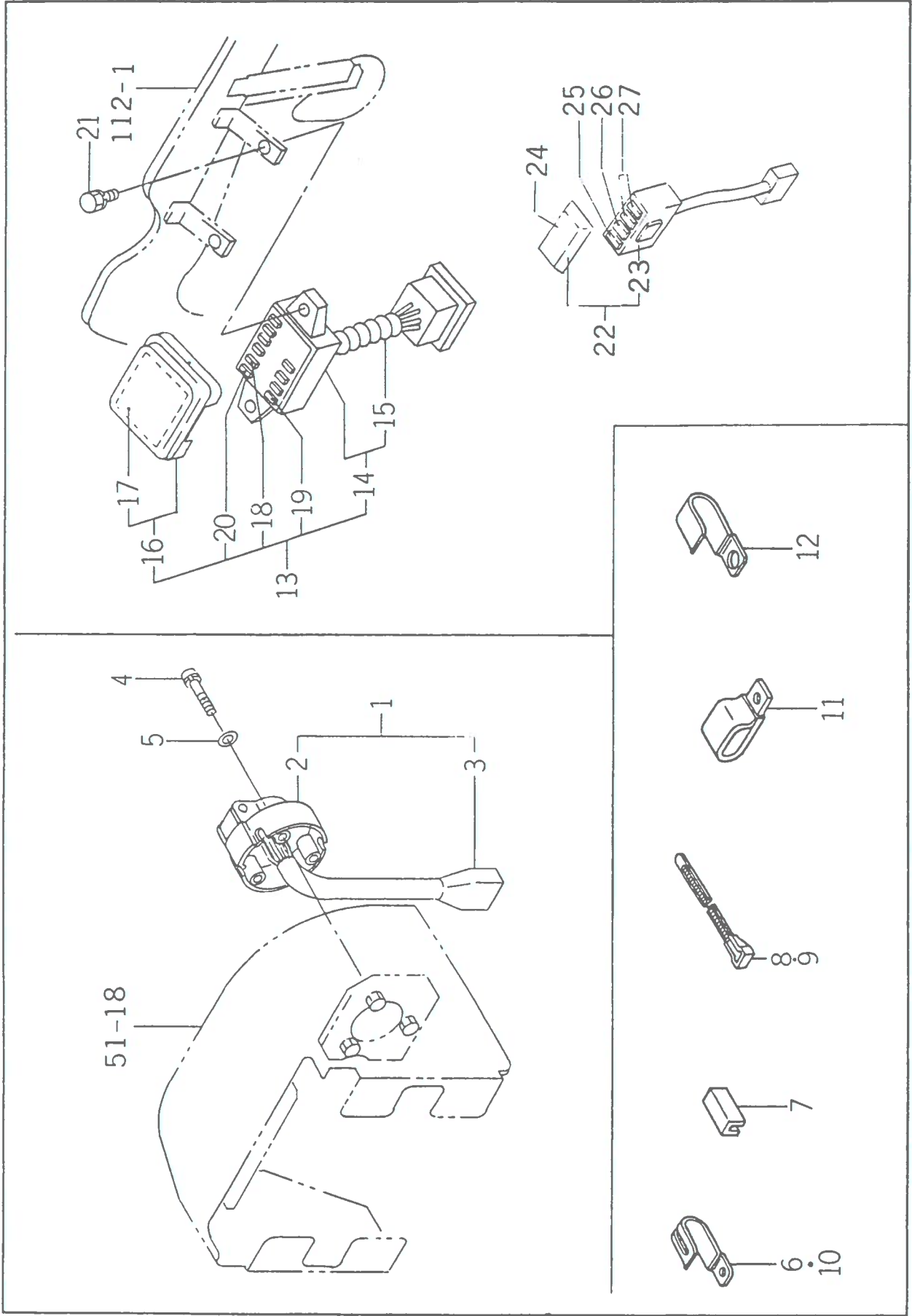


FIG.# 121

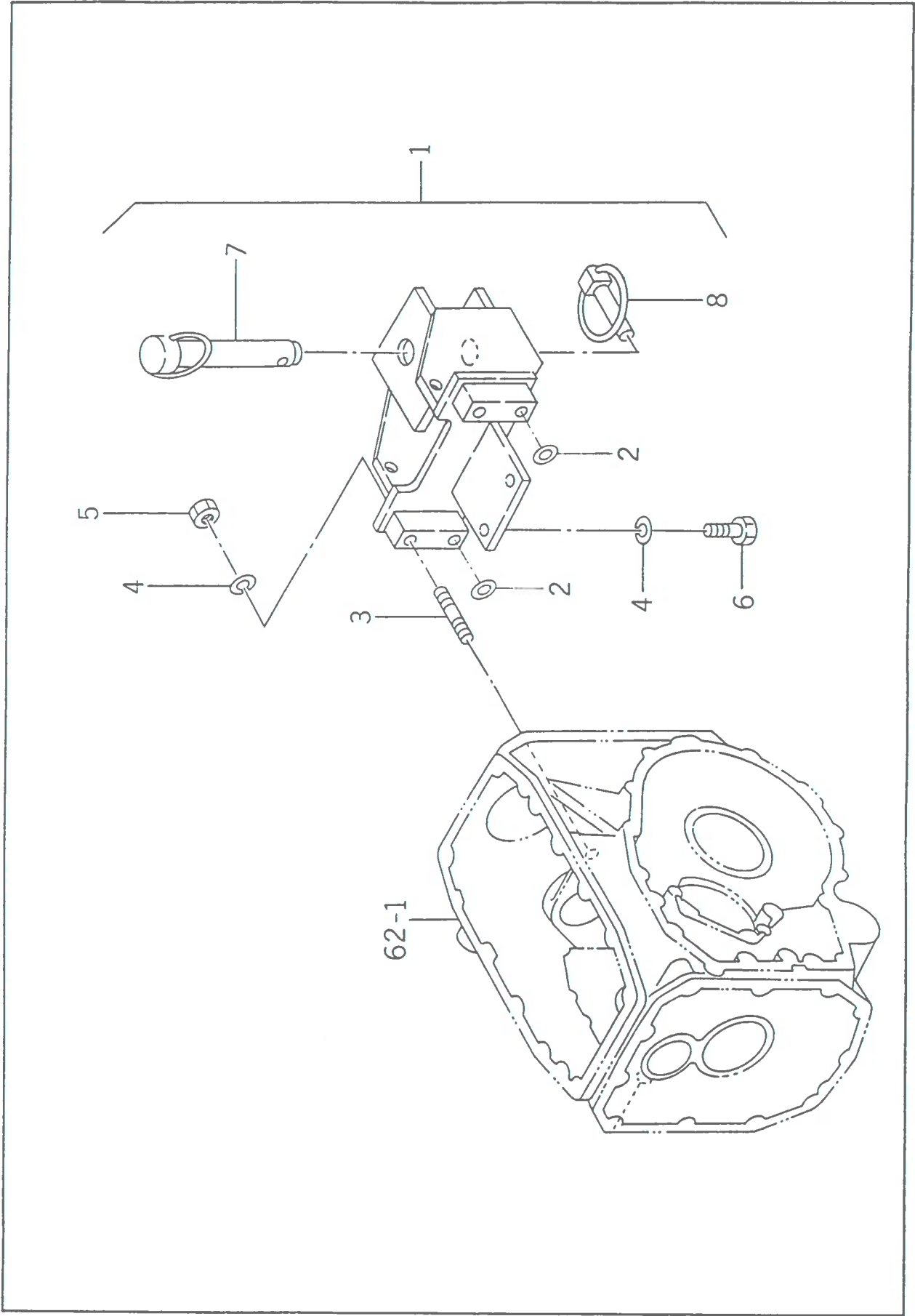
CREEP MISSION SYSTEM (OPTION)

P. 259

TU318FE

This diagram illustrates the Creep Mission System (Option) for the TU318FE engine. It shows an exploded view of the system's components, which are numbered 1 through 42. The main assembly view shows the system's integration with the engine's internal components, including the crankshaft (2), connecting rod (3), and various linkages (4, 5, 16, 17, 18, 19, 20, 21, 22, 23, 24, 25, 26, 27, 28, 29, 30, 31, 32, 33, 34, 35, 36, 37, 38, 39, 40, 41, 42). The detailed view of the gear mechanism (Fig. 40-1) shows a gear (8) mounted on a shaft (7) with a pinion (9) and a larger gear (10). Other gears (11, 12, 13, 14, 15, 16, 17, 18, 19, 20, 21, 22, 23, 24, 25, 26, 27, 28, 29, 30, 31, 32, 33, 34, 35, 36, 37, 38, 39, 40, 41, 42) are shown in various positions, some with arrows indicating their rotation. The diagram also shows a control panel (36) and a battery (35). The system is designed to provide a creep function, allowing the engine to run at a low speed without the need for a clutch.

TU318FE



TU318F

FIG #

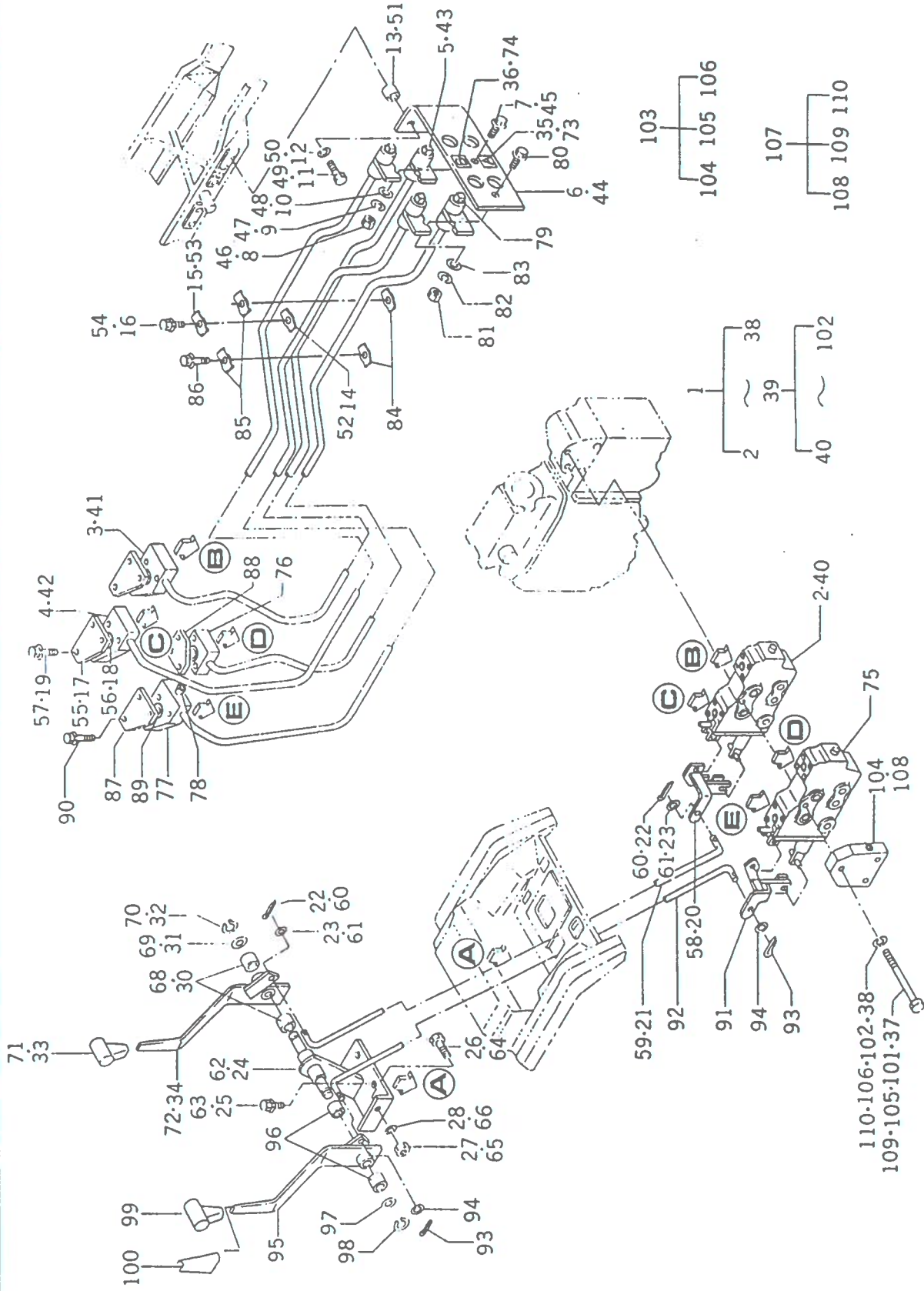
122

P. 262

KEY#	SCPHCG	PART CODE	DESCRIPTION	QTY	UNIT	ISS	TTCC	BBEEEE	EEUUUU	HHHHHH	MMMMMM	UUUUUU	UUUUUU	UUUUUU	UUUUUU	UUUUUU	TT	FF	FROM	UPTO	REMARKS
1		1602-336-200-00	HITCH, TRAILER SET	1		1		BBEEEE	EEUUUU	HHHHHH	MMMMMM	UUUUUU	UUUUUU	UUUUUU	UUUUUU	UUUUUU	TT	FF			
2		1427-431-003-00	WASHER/13X32X3	2		2		EEUUUU	UUUUUU	HHHHHH	BBBBBB	UUUUUU	UUUUUU	UUUUUU	UUUUUU	UUUUUU					
3		V251-261-205-50	BOLT, STUD/M12X55	4		2		TT	TT	TT	TT	TT	TT	TT	TT	TT					
4		V401-160-012-00	WASHER, SP/M12	6		2		TT	TT	TT	TT	TT	TT	TT	TT	TT					
5		V304-260-012-00	NUT/M12	4		2		TT	TT	TT	TT	TT	TT	TT	TT	TT					
6		V201-361-203-00	BOLT/M12X30	2		2		TT	TT	TT	TT	TT	TT	TT	TT	TT					
7		1488-247-250-00	PIN ASSY	1		2		TT	TT	TT	TT	TT	TT	TT	TT	TT					
8		1421-502-002-00	PIN, LINK	1		2		TT	TT	TT	TT	TT	TT	TT	TT	TT					

2212212222445122 G G TT
 22 GG 12 2122 S
 C

TU318FE



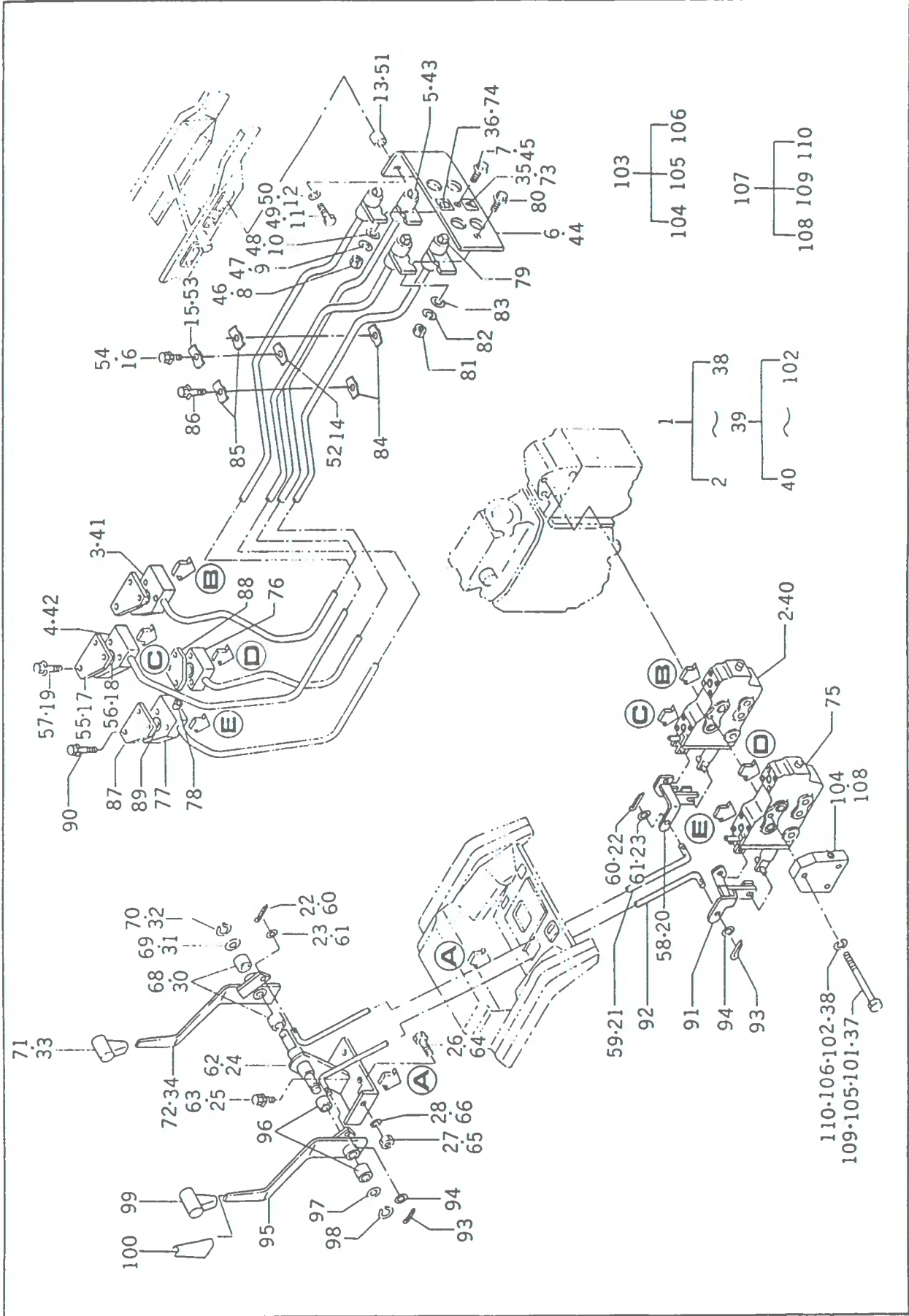
TU318F

FIG # 123

P. 264

KEY#	S C P H C	PART CODE	DESCRIPTION	Q T Y	S T C	T T C	I T C	FROM	UPTO	REMARKS
1		1602-509-700-00	VALVE, SUB/1	1	1	1	1			
2		K211-016-000-00	VALVE, CONTROL	1	1	1	1			
3		1602-509-210-00	PIPE, 1ST/A	1	2	2	2			
4		1602-509-220-00	PIPE, 1ST/B	1	2	2	2			
5		V781-160-000-60	NIPPLE/PT3/8	2	2	2	2			
6		1600-509-005-00	STAY, PLATE	1	2	2	2			
7		V211-160-802-00	BOLT, P/M8X20	1	2	2	2			
8		V301-260-008-00	NUT/M 8	1	2	2	2			
9		V401-160-008-00	WASHER, SP/M8	1	2	2	2			
10		V411-260-008-00	WASHER, PL/M8	1	2	2	2			
11		V201-261-203-00	BOLT/M12X30	1	2	2	2			
12		V401-160-012-00	WASHER, SP/M12	1	2	2	2			
13		1560-625-203-00	COLLAR/17X26X09	1	2	2	2			
14		1594-517-003-00	CLIP/19X3	1	2	2	2			
15		1594-517-004-00	CLIP/19X3	1	2	2	2			
16		V210-260-604-00	BOLT, S/M6X40	1	2	2	2			
17		1600-509-002-00	COVER, A	2	2	2	2			
18		V720-112-401-20	O-RING/P12	2	3	3	3			
19		V211-260-803-50	BOLT, S/M8X35	6	2	2	2			
20		1602-509-230-00	ARM	1	2	2	2			
21		1602-509-001-00	ROD/88	1	2	2	2			
22		2130-601-018-00	PIN, SNAP/6	2	2	2	2			
23		V411-260-006-00	WASHER / M6	2	2	2	2			
24		1602-509-240-00	HOLDER, LEVER	1	2	2	2			
25		V211-260-801-60	BOLT, SEMS/M8X16	2	2	2	2			
26		V211-160-801-60	BOLT/M8X16	1	2	2	2			
27		V301-260-008-00	NUT/M8	1	3	3	3			
28		V401-160-008-00	WASHER, SP/M8	1	3	3	3			
29		1602-509-250-00	LEVER, 1ST	1	2	2	2			
30		1588-502-007-00	BUSH/10X12X10	2	2	2	2			
31		V411-260-010-00	WASHER/M10	1	2	2	2			
32		V704-140-010-00	RING, SNAP/10 C	1	2	2	2			
33		1444-307-007-00	GRIP	1	2	2	2			
34		1560-316-002-40	TUBE, STRAIGHT/50	1	2	2	2			
35		1518-903-006-00	MARK, PORT A	1	3	3	3			
36		1518-903-007-00	MARK, PORT B	1	3	3	3			
37		V201-261-008-00	BOLT/M10X80	3	2	2	2			
38		V401-160-010-00	WASHER, SP/M10	3	2	2	2			
39		1602-509-710-00	VALVE, SUB/2	1	1	1	1			
40		K211-016-000-00	VALVE, CONTROL	1	2	2	2			
41		1602-509-210-00	PIPE, 1ST/A	1	3	3	3			
42		1602-509-220-00	PIPE, 1ST/B	1	3	3	3			
43		V781-160-000-60	NIPPLE/PT3/8	2	3	3	3			
44		1600-509-005-00	STAY, PLATE	1	3	3	3			
45		V211-160-802-00	BOLT, P/M8X20	1	3	3	3			

TU310FE



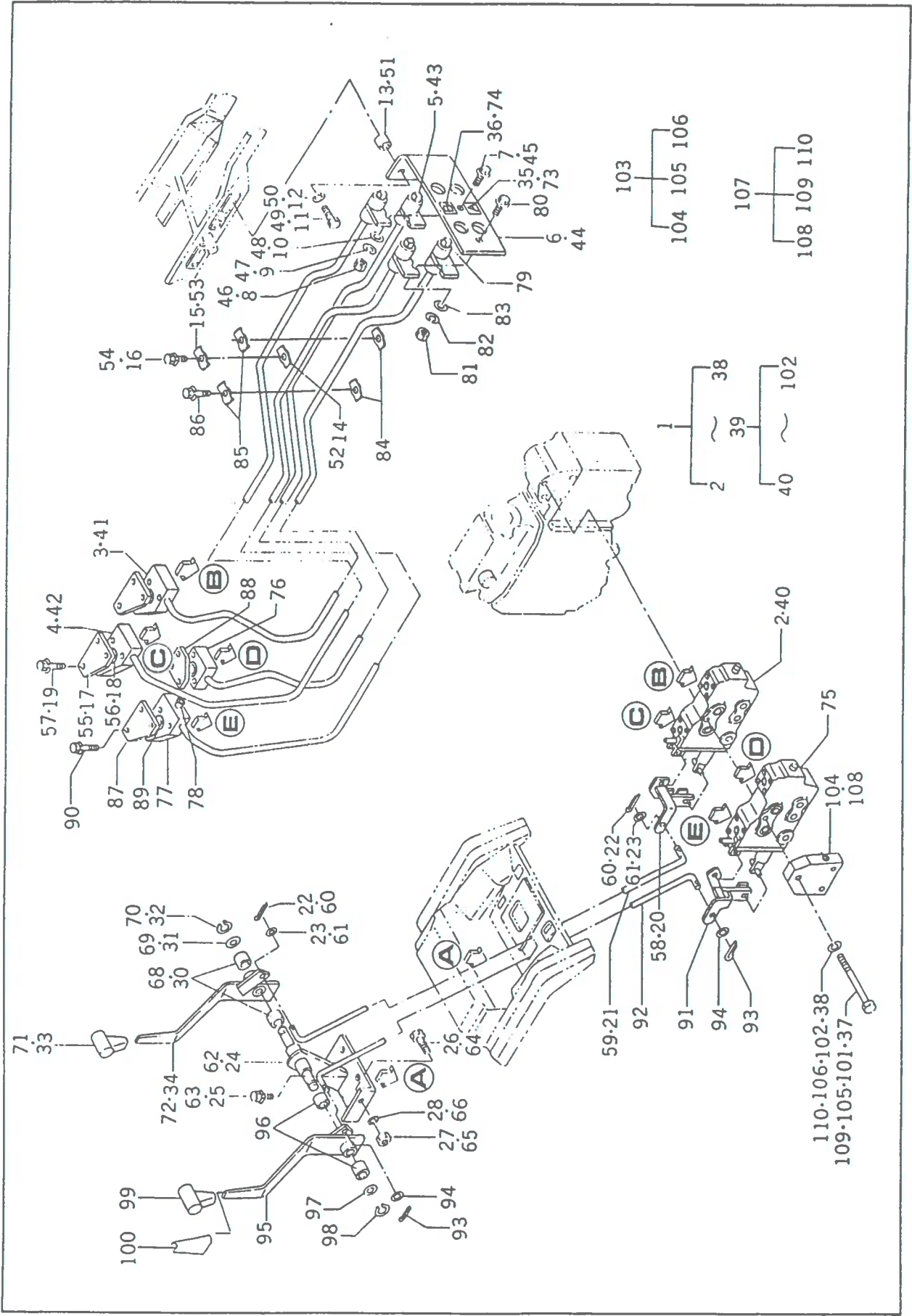
TU318F

FIG # 123

P. 266

KEY#	S C P H C G	PART CODE	DESCRIPTION	Q I S T T Y C	FROM	UPTO	REMARKS
46		V301-260-008-00	NUT/M8	3			
47		V401-160-008-00	WASHER, SP/M8	3			
48		V411-260-008-00	WASHER, PL/M8	3			
49		V201-261-203-00	BOLT/M12X30	3			
50		V401-160-012-00	WASHER, SP/M12	3			
51		1560-625-203-00	COLLAR/17X26X09	3			
52		1594-517-003-00	CLIP/19X3	3			
53		1594-517-004-00	CLIP/19X3	3			
54		V210-260-604-00	BOLT, S/M6X40	3			
55		1600-509-002-00	COVER, A	2			
56		V720-112-401-20	0-RING/P12	2			
57		V211-260-803-50	BOLT, S/M8X35	6			
58		1602-509-230-00	ARM	3			
59		1602-509-001-00	RUD/88	1			
60		2130-601-018-00	PTN, SNAP/6	2			
61		V411-260-006-00	WASHER / M6	2			
62		1602-509-240-00	HOLDER, LEVER	3			
63		V211-260-801-60	BOLT, SEMS/M8X16	1			
64		V211-160-801-60	BOLT/M8X16	2			
65		V301-260-008-00	NUT/M8	1			
66		V401-160-008-00	WASHER, SP/M8	3			
67		1602-509-250-00	LEVER, 1ST	1			
68		1588-502-007-00	BUSH/10X12X10	2			
69		V411-260-010-00	WASHER/M10	3			
70		V704-140-010-00	KING, SNAP/10 C	1			
71		1444-307-007-00	GRIP	1			
72		1560-316-002-40	TUBE, STRAIGHT/50	1			
73		1518-903-006-00	MARK, PORT A	1			
74		1518-903-007-00	MARK, PORT B	1			
75		K211-016-000-00	VALVE, CONTROL	1			
76		1602-509-310-00	VALVE, 2ND/A	1			
77		1602-509-320-00	PIPE, 2ND/B	1			
78		V780-100-000-20	PLUG/PT1/8	1			
79		V781-160-000-60	NIPPLE/PT3/8	2			
80		V211-160-802-00	BOLT, P/M8X20	1			
81		V301-260-008-00	NUT/M8	1			
82		V401-160-008-00	WASHER, SP/M8	1			
83		V411-260-008-00	WASHER, PL/M8	1			
84		1594-517-003-00	CLIP/19X3	2			
85		1594-517-004-00	CLIP/19X3	2			
86		V210-260-604-00	BOLT, S/M6X40	2			
87		1600-509-002-00	COVER, A	1			
88		1600-509-003-00	COVER, B	1			
89		V720-112-401-20	0-RING/P12	2			
90		V211-260-803-50	BOLT, S/M8X35	6			

TU318FE



TU318F

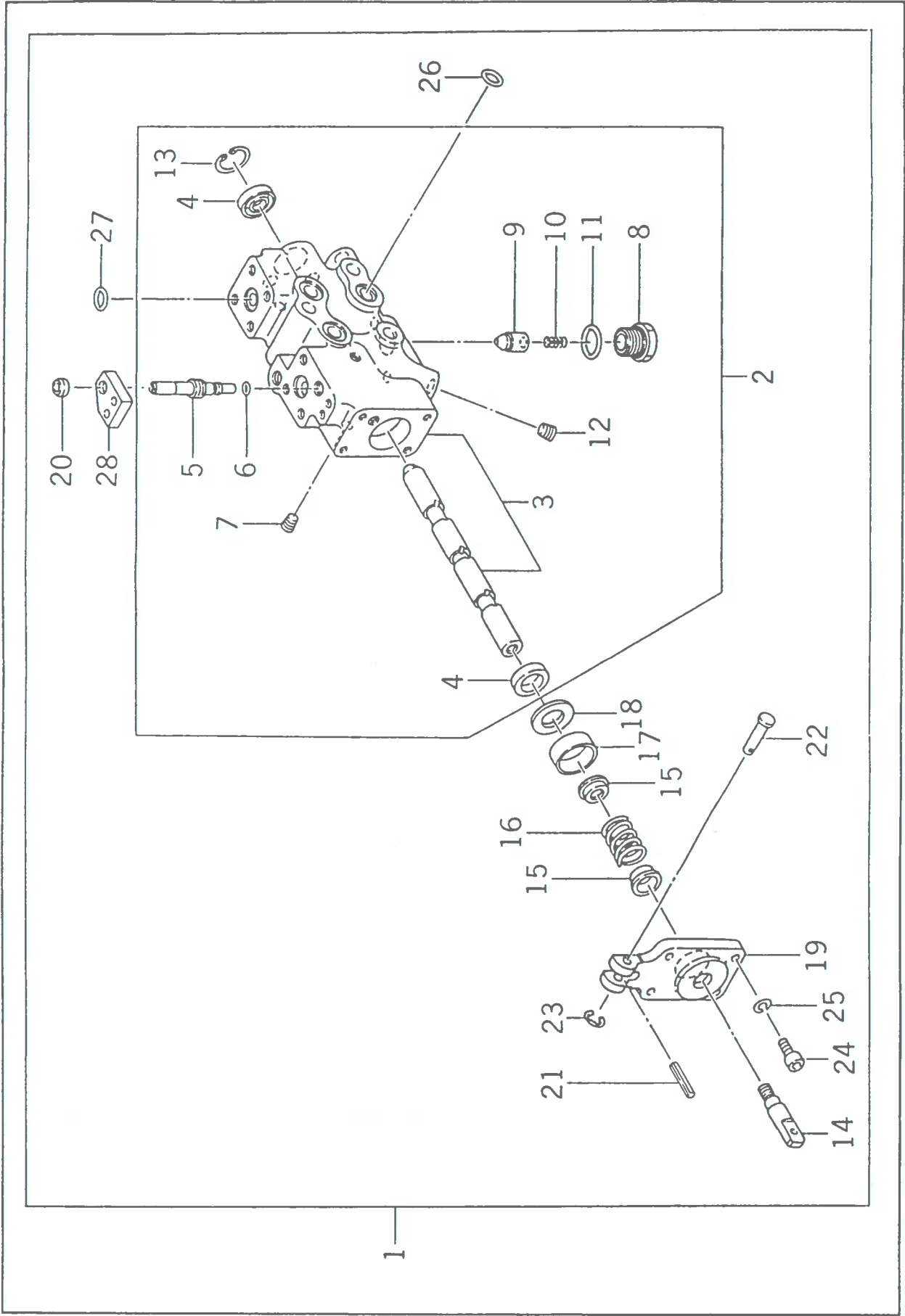
FIG #

123

P. 268

KEY#	S P C	C H G	PART CODE	DESCRIPTION	QTY	ISS	T	F	FROM	UPTO	REMARKS
91			1602-509-230-00	ARM	1	3					
92			1602-509-001-00	RUD/88	1	3					
93			2130-601-018-00	PIN.SNAP/6	2	3					
94			V411-260-006-00	WASHER / M6	2	3					
95			1602-509-330-00	LEVER/2ND	1	3					
96			1588-502-007-00	BUSH/10X12X10	2	3					
97			V411-260-010-00	WASHER/M10	1	3					
98			V704-140-010-00	RING.SNAP/10 C	1	3					
99			1444-307-007-00	GRIP	1	3					
100			1560-316-002-40	TUBE.STRAIGHT/50	1	3					
101			V201-261-013-00	BOLT/M10X130	3	2					
102			V401-160-010-00	WASHER.SP/M10	3	2					
103			1602-509-740-00	METAL.B/1	1	1					
104			1600-509-004-00	METAL.COVER	1	2					
105			V201-261-009-00	BOLT/M10X90	3	2					
106			V401-160-010-00	WASHER.SP/M10	3	2					
107			1602-509-750-00	METAL.B/2	1	1					
108			1600-509-004-00	METAL.COVER	1	2					
109			V201-261-014-00	BOLT/M10X140	3	2					
110			V401-160-010-00	WASHER.SP/M10	3	2					

TU318FE



TU318F

FIG # 124

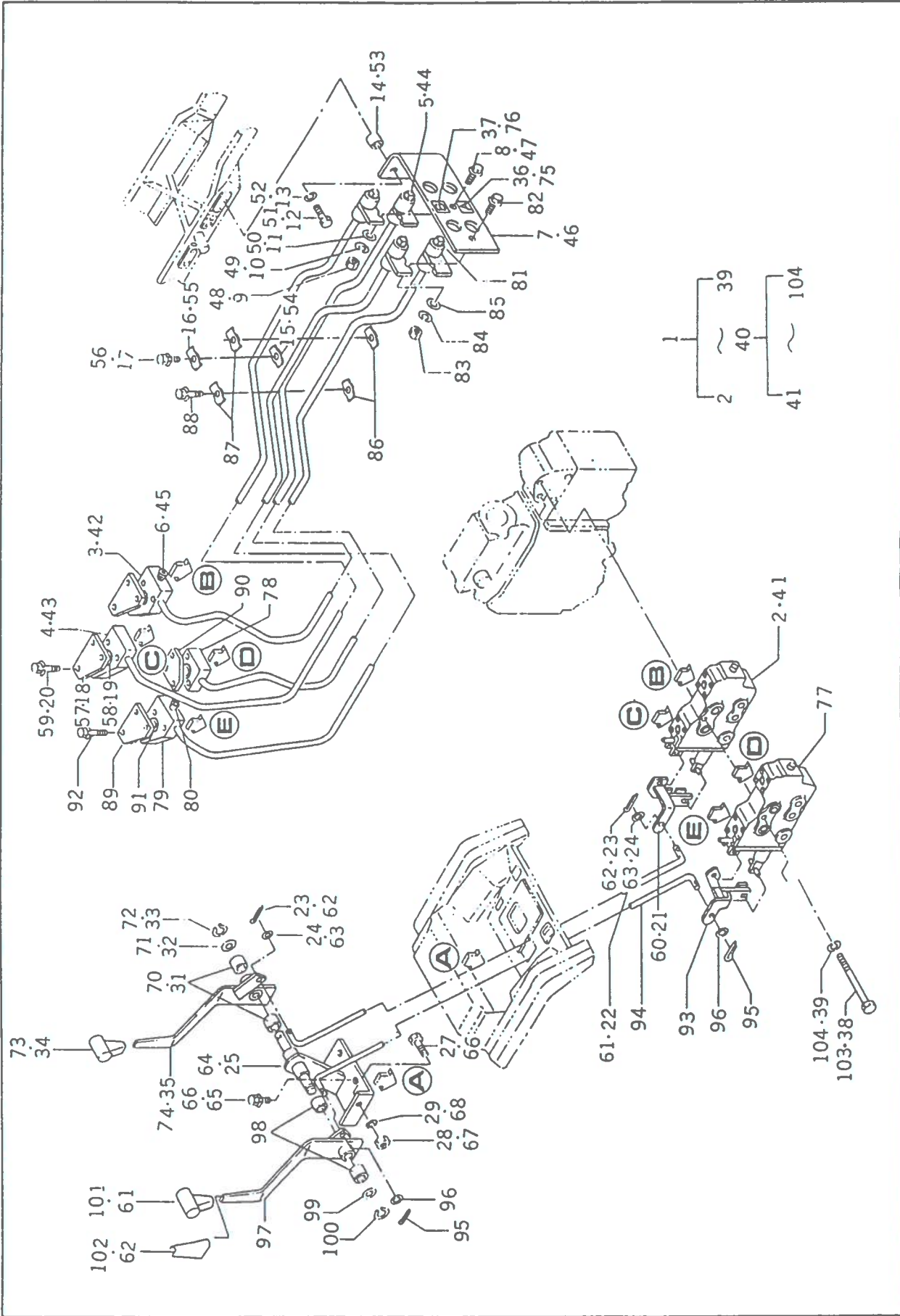
P. 270

```

BBBBBBBBBBBBBBBBBBBBBBBBBBBBBBBBBBBBBBBBUUUUUUUUUUUUUUUUUU
EE2244555566667777888899990000111122223333444455556666
22121211221255668899001122334455667788990011222211212
12 T T 1212EE244566EE2EE22412112211212 G G TT
    222122122222445122 22 GG 12 2122 S
    22 GG 12 2122 S
    C
    
```

KEY#	S C P H C G	PART CODE	DESCRIPTION	Q T Y	I T C	S C	FROM	UPTO	REMARKS
1		K211-016-000-00	VALVE, CONTROL ASSY	1	2				
2		K211-005-800-10	VALVE, CONTROL ASSY	1	3				
3		K211 005-100-10	VALVE, CONTROL SET	1	4				
4		K211-004-007-00	SEAL, OIL/TC4, 14247	2	4				
5		K211 005-003-10	BOLT, CONTROL	1	4				
6		V720-111-900-60	O-RING P6 HS90	1	4				
7		K211-001-011-00	PLUG	4	4				
8		K211-005-004-00	PLUG	1	4				
9		K211-005-005-00	POPPET	1	4				
10		K110-001-106-00	SPRING	1	4				
11		V720-112-401-60	U-RING/P16	1	4				
12		V780-100-000-20	PLUG/PT1/8	7	4				
13		V705 140-024-00	RING, SNAP	1	4				
14		K211-005-006-00	HEAD	1	3				
15		K211-005-007-00	GUIDE, SPRING	2	3				
16		K211-016-001-00	SPRING/HC026	1	3				
17		K211-005-009-00	COLLAR/25X28X10	1	3				
18		K211-004-006-00	COLLAR	1	3				
19		K211-005-010-10	COVER	1	3				
20		V793-108-110-30	SEAL	1	3				
21		V580-140-602-00	PIN, SPRING	1	3				
22		K211-005-012-00	PIN/6X20	1	3				
23		V710-140-004-00	RING, SNAP/4 E	1	3				
24		V220-540-601-50	BOLT/M6X15	6	3				
25		V401-160-006-00	WASHER, SP/M6	6	3				
26		V720-112-401-40	O-RING/P14	3	3				
27		V720-112-401-20	O-RING/P12	2	3				
28		K211-005-013-00	COVER	1	3				

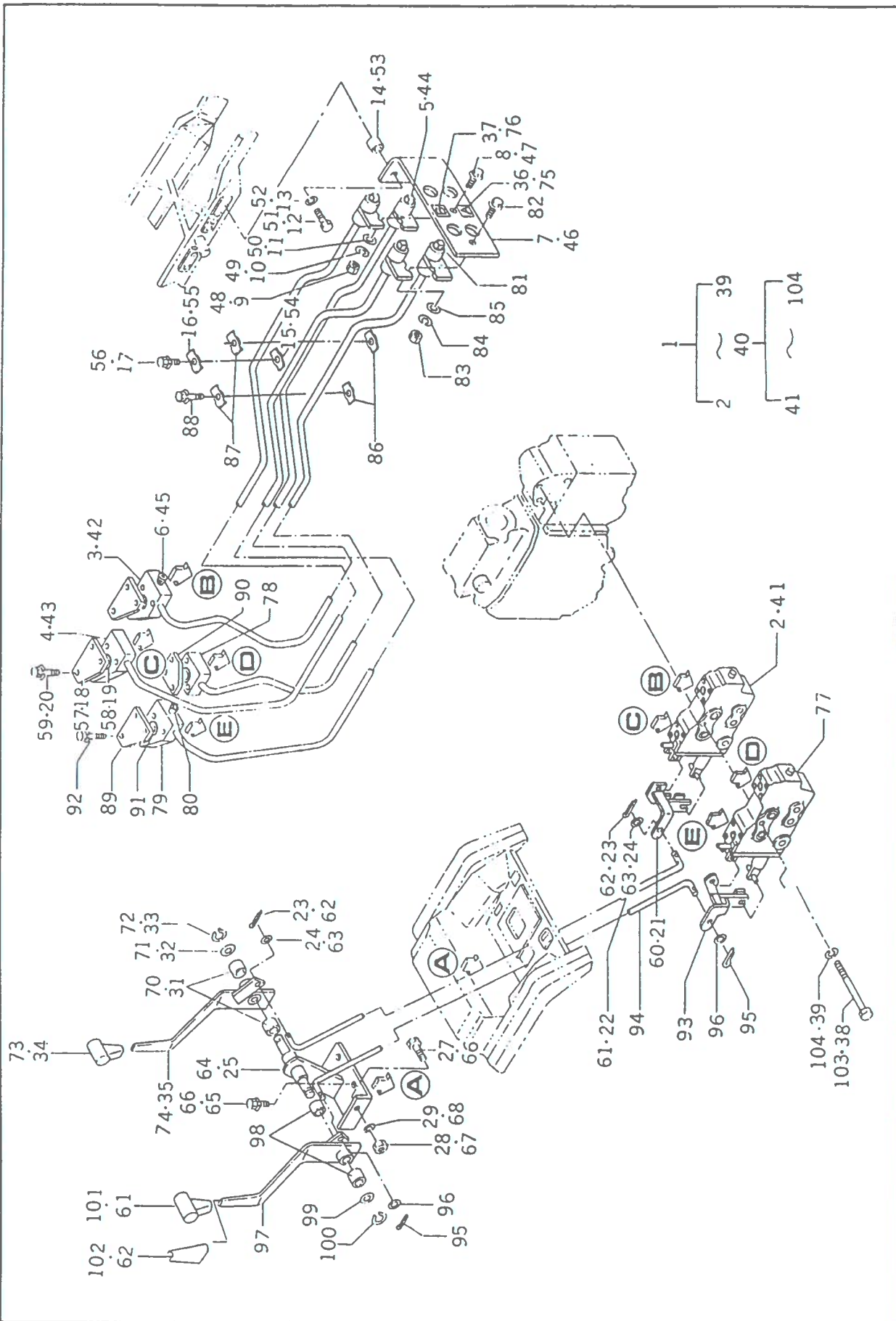
TU310FE



KEY#	S P H C	PART CODE	DESCRIPTION	Q I S	T T .	C	T F	FROM	UPTO	REMARKS
1		1602-509-720-00	VALVE, SUB/1/H SET	1						
2		K211-016-000-00	VALVE, CONTROL ASSY	1						
3		1602-509-510-00	PIPE, 1ST/A COMP	1						
4		1602-509-520-00	PIPE, 1ST/B COMP	1						
5		V781 160 000-60	NIPPLE/PT3/8	2						
6		V781-100-000-20	PLUG/PT1/8	1						
7		1600-509-005-00	STAY, PLATE	1						
8		V211-160-802-00	BOLT, P/M8X20	1						
9		V301 260-008-00	NUT/M8	1						
10		V401-160-008-00	WASHER, SP/M8	1						
11		V411-260-008-00	WASHER, PL/M8	1						
12		V201-261-203-00	BOLT/M12X30	1						
13		V401-160-012-00	WASHER, SP/M12	1						
14		1560-625-203-00	COLLAR/17X26X09	1						
15		1594-517-003-00	CLIP/19X3	1						
16		1594-517-004-00	CLIP/19X3	1						
17		V210-260-604-00	BOLT, S/M6X40	1						
18		1600-509-002-00	COVER, A	2						
19		V720-112-401-20	O-RING/P12	2						
20		V211-260-803-50	BOLT, S/M8X35	6						
21		1602-509-230-00	ARM COMP	1						
22		1602-509-001-00	ROD/88	1						
23		2130-601-018-00	PIN, SNAP/6	2						
24		V411-260-006-00	WASHER / M6	2						
25		1602-509-240-00	HOLDER, LEVER COMP	1						
26		V211-260-801-60	BOLT, SEMS/M8X16	2						
27		V211-160-801-60	BOLT/M8X16	1						
28		V301-260-008-00	NUT/M8	1						
29		V401-160-008-00	WASHER, SP/M8	1						
30		1602-509-250-00	LEVER, 1ST COMP	1						
31		1588-502-007-00	BUSH/10X12X10	2						
32		V411-260-010-00	WASHER/M10	1						
33		V704-140-010-00	RING, SNAP/10 C	1						
34		1444-307-007-00	GRIP	1						
35		1560-316-002-40	TUBE, STRAIGHT/50	1						
36		1518-903-006-00	MARK, PORT A	1						
37		1518-903-007-00	MARK, PORT B	1						
38		V201-261-008-00	BOLT/M10X80	3						
39		V401-160-010-00	WASHER, SP/M10	3						
40		1602-509-730-00	VALVE, SUB/2/H SET	1						
41		K211-016-000-00	VALVE, CONTROL ASSY	1						
42		1602-509-510-00	PIPE, 1ST/A COMP	1						
43		1602-509-520-00	PIPE, 1ST/B COMP	1						
44		V781-160-000-60	NIPPLE/PT3/8	2						
45		V781-100-000-20	PLUG/PT1/8	1						

BBEEEEEEEEEEEEEEEEEEEE
 EE2244555566EEEEUUUUUUUU
 221212112212556688EEEEBB
 12 T T 1212EE244566EE2244
 22122122122222445122 G G T T
 22 GG 12 2122 S
 GG
 C

TU310FE



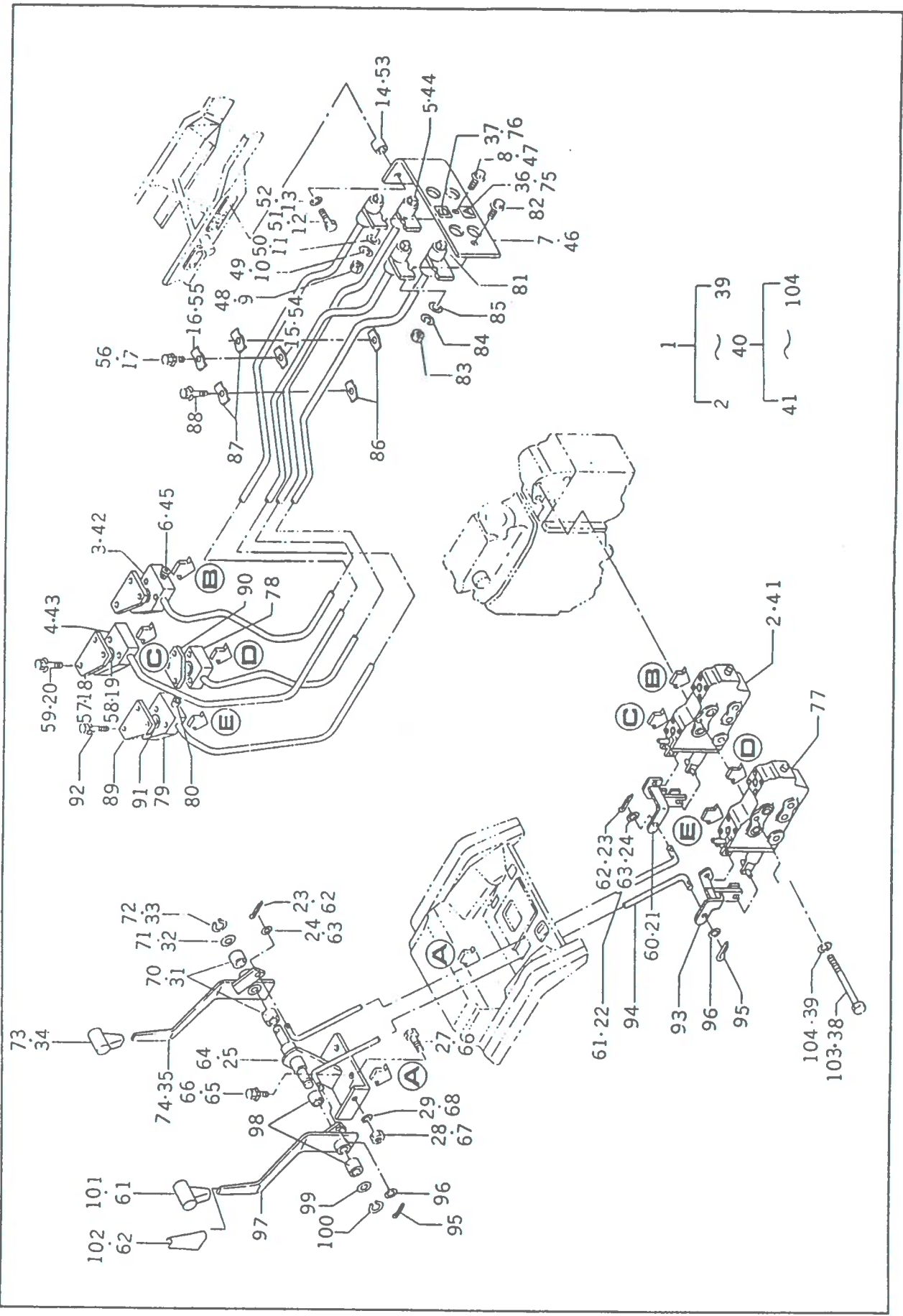
TU318F

FIG # 125

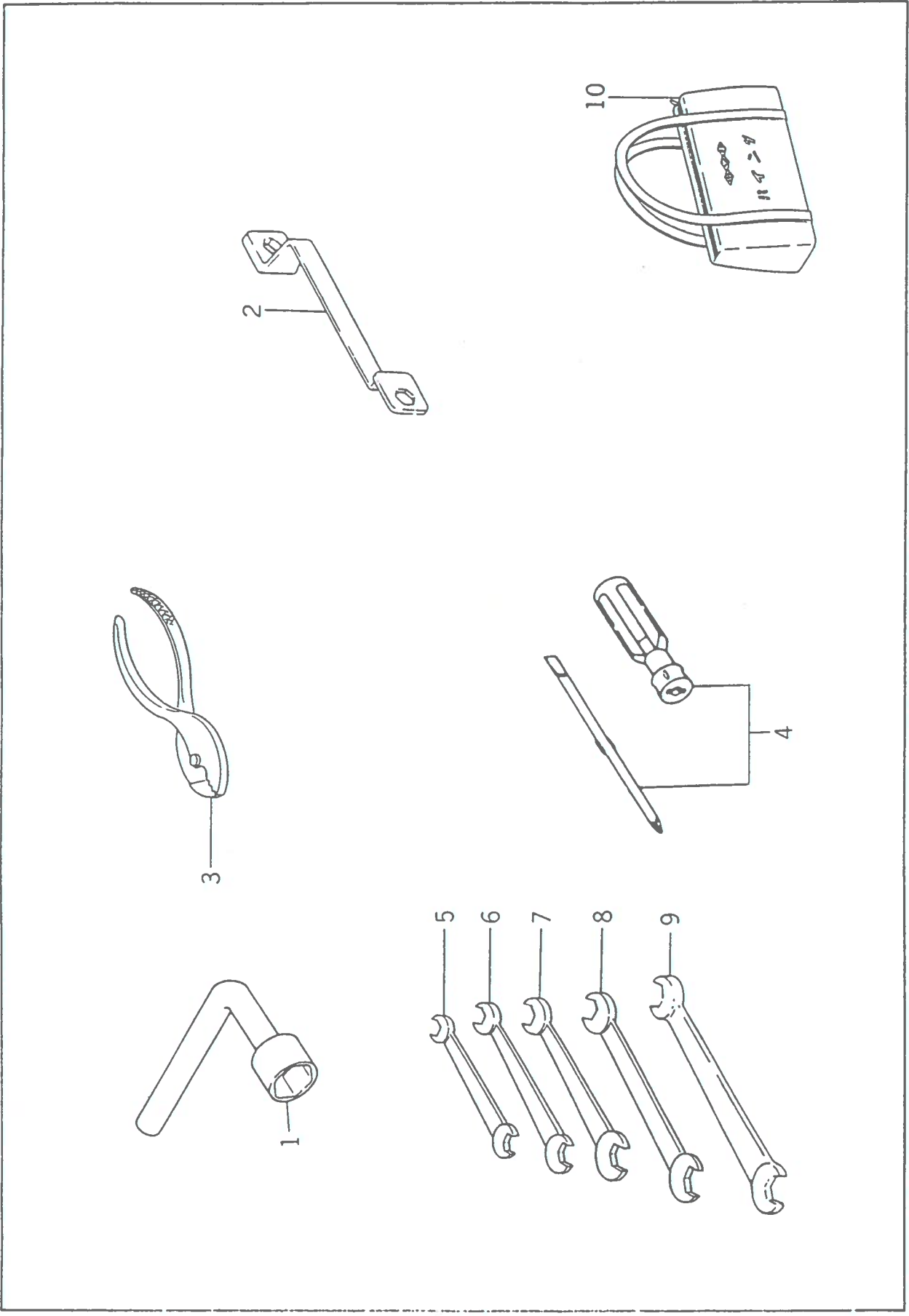
P. 274

KEY#	S C P H C	PART CODE	DESCRIPTION	Q T Y	I T C	S C	T F	FROM	UPTO	REMARKS
46		1600-509-005-00	STAY-PLATE	1	2					
47		V211-160-802-00	BOLT,P/M8X20	1	2					
48		V301-260-008-00	NUT/M8	1	2					
49		V401-160-008-00	WASHER, SP/M8	1	2					
50		V411-260-008-00	WASHER, PL/M8	1	2					
51		V201-261-203-00	BOLT/M12X30	1	2					
52		V401-160-012-00	WASHER, SP/M12	1	2					
53		1560-625-203-00	COLLAR/I7X26X09	1	2					
54		1594-517-003-00	CLIP/19X3	1	2					
55		1594-517-004-00	CLIP/19X3	1	2					
56		V210-260-604-00	BOLT,S/M6X40	1	2					
57		1600-509-002-00	COVER,A	2	2					
58		V720-112-401-20	O-RING/P12	2	2					
59		V211-260-803-50	BOLT,S/M8X35	6	2					
60		1602-509-230-00	ARM	1	2					
61		1602-509-001-00	ROD/88	1	2					
62		2130-601-018-00	PIN,SNAP/6	2	2					
63		V411-260-006-00	WASHER / M6	2	2					
64		1602-509-240-00	HOLDER,LEVER	1	2					
65		V211-260-801-60	BOLT,SEMS/M8X16	2	2					
66		V211-160-801-60	BOLT/M8X16	1	2					
67		V301-260-008-00	NUT/M8	1	2					
68		V401-160-008-00	WASHER, SP/M8	1	2					
69		1602-509-250-00	LEVER,1ST	1	2					
70		1588-502-007-00	BUSH/10X12X10	2	2					
71		V411-260-010-00	WASHER/M10	1	2					
72		V704-140-010-00	RING,SNAP/10 C	1	2					
73		1444-307-007-00	GRIP	1	2					
74		1560-316-002-40	TUBE,STRAIGHT/50	1	2					
75		1518-903-006-00	MARK,PORT A	1	2					
76		1518-903-007-00	MARK,PORT B	1	2					
77		K211-016-009-00	VALVE,CONTROL	1	2					
78		1602-509-560-00	PIPE,2ND/A	1	2					
79		1602-509-570-00	PIPE,2ND/B	1	2					
80		W780-100-000-20	PLUG/PT1/8	1	2					
81		V781-160-000-60	NIPPLE/PT3/8	2	2					
82		V211-160-802-00	BOLT,P/M8X20	1	2					
83		V301-260-008-00	NUT/M8	1	2					
84		V401-160-008-00	WASHER, SP/M8	1	2					
85		V411-260-008-00	WASHER, PL/M8	1	2					
86		1594-517-003-00	CLIP/19X3	2	2					
87		1594-517-004-00	CLIP/19X3	2	2					
88		V210-260-604-00	BOLT,S/M6X40	2	2					
89		1600-509-002-00	COVER,A	1	2					
90		1600-509-003-00	COVER,B	1	2					

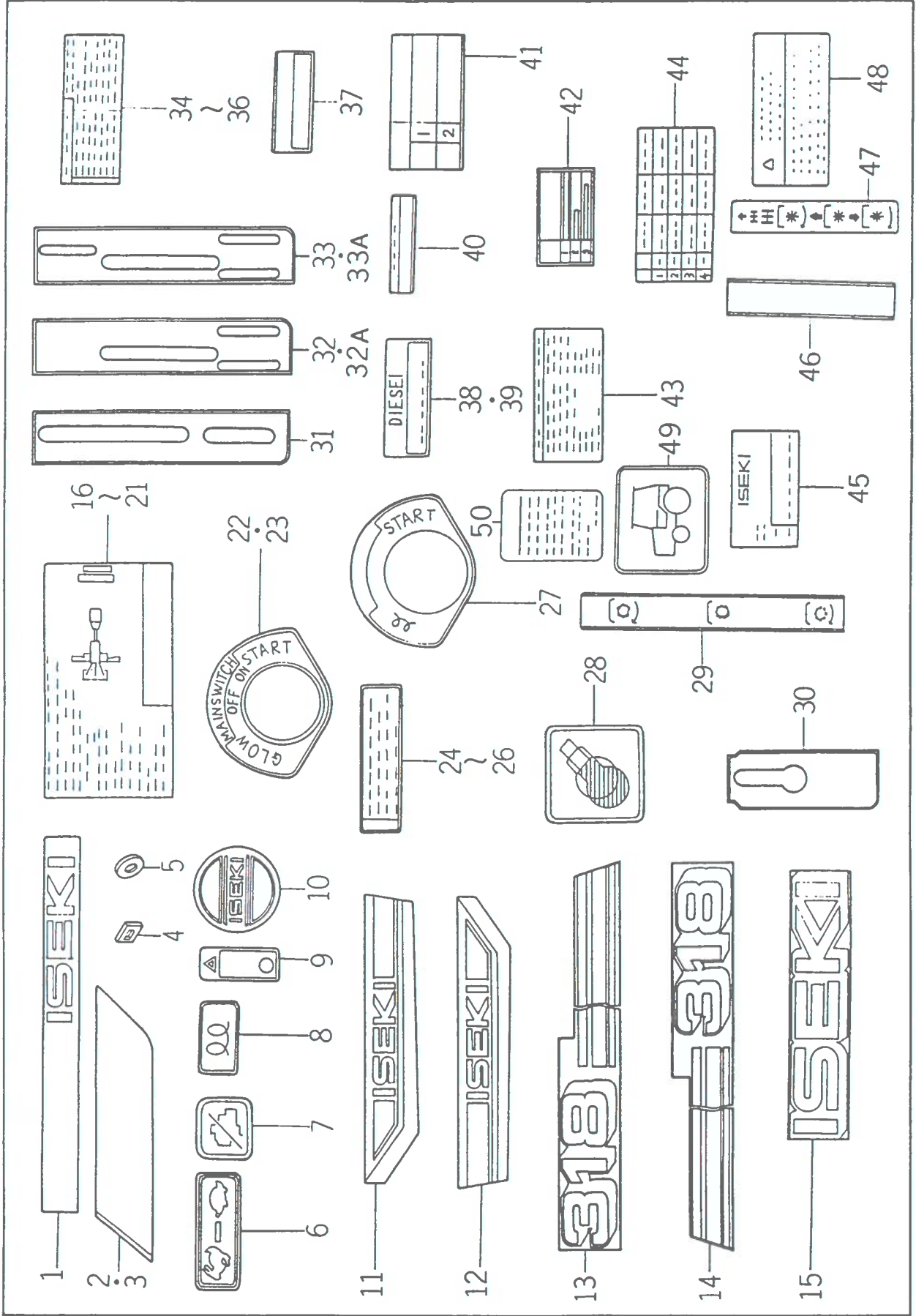
TU310FE



TU318FE

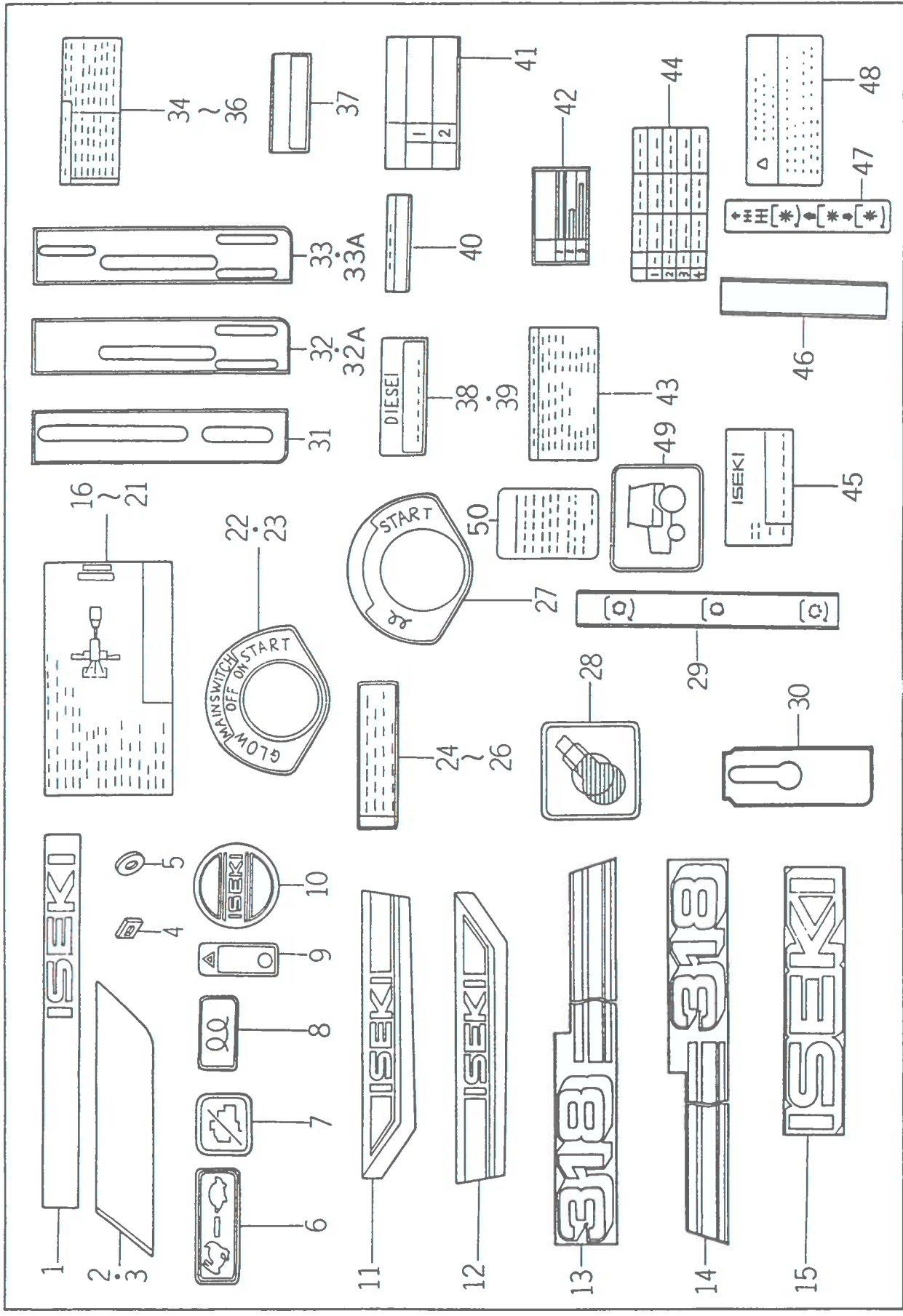


TU318FE



KEY#	S C P H C G	PART CODE	DESCRIPTION	Q T Y	S T C	T T C	FROM	UPTO	REMARKS
1		1575-901-004-10	ORNAMENT,GRILLE	1					
2		1575-901-005-00	LABEL TYPE LH	1					
3		1575-901-006-00	LABEL TYPE RH	1					
4		V350-160-006-00	NUT, SPEED/P6	9					
5		1444-601-015-00	WASHER/6X14X3	9					
6		1575-901-008-00	PRNAEMT	1					
7		1509-901-003-00	MARK,ENGINE STOP (E)	1					
8		1600-901-002-00	LABEL	1					
9		1600-901-003-00	LABEL,HAZARD	1					
10		2132-901-007-10	MARK,CAP	1					
11		1575-901-001-00	ORNAMENT/LH	1					
12		1575-901-002-00	ORNAMENT/RH	1					
13		1602-902-004-00	ORNAMENT,318/LH	1					
14		1602-902-005-00	ORNAMENT,318/RH	1					
15		1600-902-009-00	ORNAMENT/REAR	1					
16		1600-902-011-00	LABEL,CAUTION/OIL/E	1					
17		1600-902-017-00	LABEL,CAUTION/OIL/D	1					
18		1600-902-018-00	LABEL,CAUTION/OIL/F	1					
19		1600-902-051-00	LABEL,OIL/HST/E	1					
20		1600-902-053-00	LABEL,OIL/HST/D	1					
21		1600-902-054-00	LABEL,OIL/HST/F	1					
22		1509-901-008-00	MARK,KEY SWITCH (E)	1					
23		1509-901-014-00	MARK,KEY SWITCH (F)	1					
24		1594-904-021-00	MARK	1					
25		1594-904-015-00	MARK	1					
26		1594-904-022-00	MARK	1					
27		1600-902-015-00	LABEL,SWITCH/D	1					
28		1600-902-029-00	LABEL,PTO	1					
29		1600-902-019-00	LABEL,PTO	1					
30		1602-902-007-00	LABEL,GUIDE/LH	1					
31		1602-902-009-00	LABEL,GUIDE/LH	1					
32		1602-902-008-00	LABEL,GUIDE/RH	1					
32A		1602-902-008-10	LABEL,GUIDE/RH	1					
33		1602-902-011-00	LABEL,GUIDE/RH	1					
33A		1602-902-011-10	LABEL,GUIDE/RH	1					
34		1594-904-017-00	MARK,DRIVE/U	1					
35		1594-904-016-00	MARK,DRIVE/D	1					
36		1594-904-018-00	MARK,DRIVE	1					
37		1427-941-016-00	MARK,FUEL	1					
38		1427-934-013-00	MARK,FUEL/FR	1					
39		1600-902-023-00	LABEL,FUEL/D	1					
40		1435-905-015-00	MARK,HST OILNUMBER/E	1					
41		1603-902-004-00	LABEL,SPEED	1					
42		1603-902-051-00	LABEL,SPEED	1					
43		1594-904-024-00	MARK,FUSE/11	1					

TU318FE



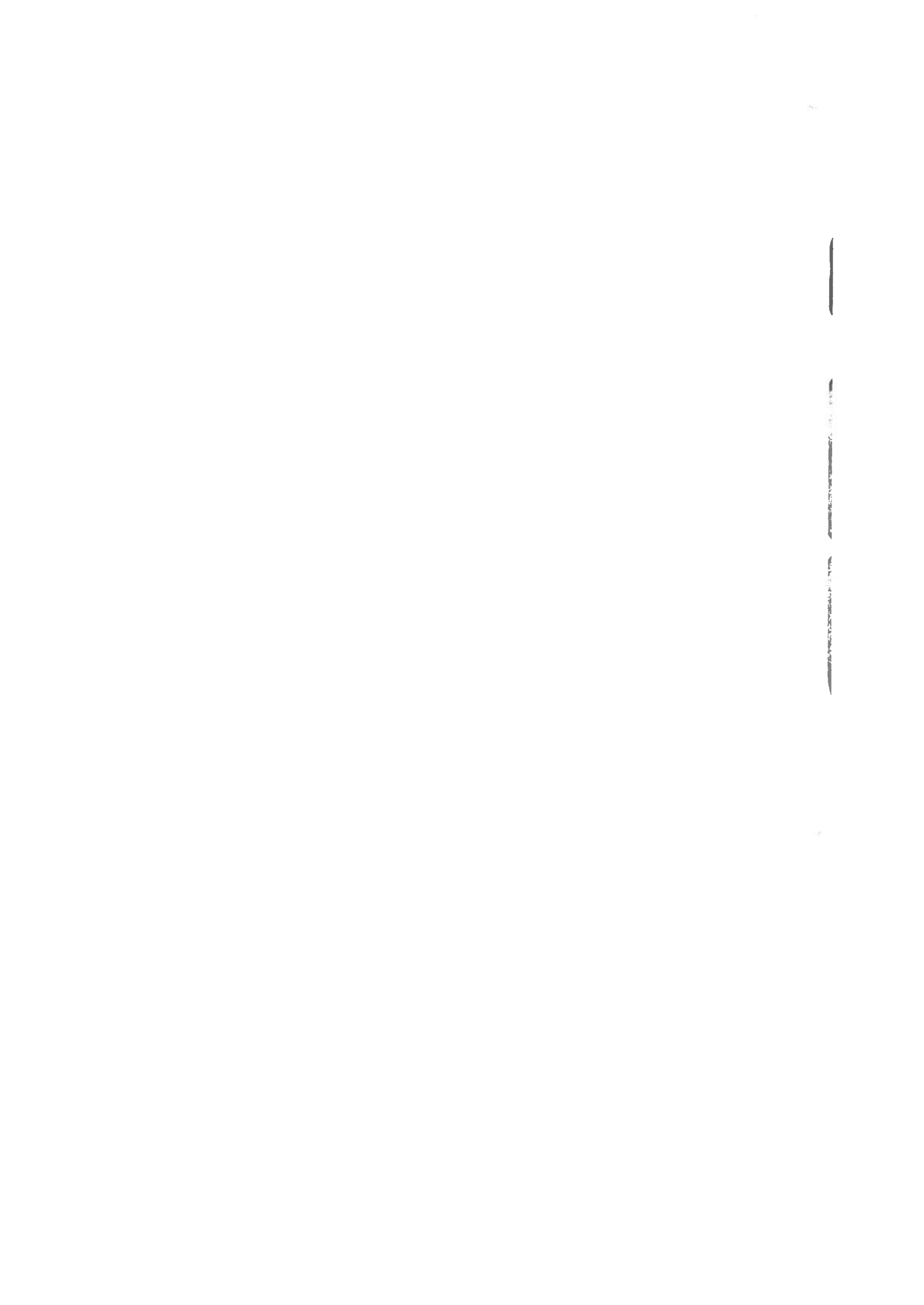


[

T

]





*** NUMERICAL INDEX ***

PART CODE	REF. NO.	PART CODE	REF. NO.	PART CODE	REF. NO.	PART CODE	REF. NO.	PART CODE	REF. NO.	PART CODE	REF. NO.
1302-225-003-00	52 - 2	1403-209-006-00	73 - 49	1425-431-015-00	63 - 4	1427-301-005-00	63 - 5	1427-941-016-00	127 - 37		
	53 - 2	1403-511-500-00	51 - 15	1425-431-021-00	63 - 8		81 - 17	1429-406-202-00	77 - 19		
	54 - 2	1404-117-008-00	30 - 4	1425-621-004-00	26 - 20		65 - 1	1429-406-205-00	76 - 14		
	54 - 7		60 - 17		31 - 21		65 - 3	1429-406-207-00	77 - 6		
	55 - 4		93 - 11		40 - 9		65 - 4	1429-406-208-00	77 - 7		
	56 - 6	1404-312-006-00	67 - 15		120 - 10	1427-301-018-00	65 - 5	1429-406-209-00	77 - 8		
	121 - 20	1404-502-013-00	36 - 26	1426-426-306-00	79 - 41	1427-301-019-00	65 - 7	1429-406-211-00	77 - 9		
1305-241-001-00	60 - 4		37 - 26	1426-426-321-00	79 - 49	1427-301-021-00	65 - 19	1429-406-212-00	77 - 10		
1326-401-007-00	30 - 11		90 - 6	1426-506-002-00	78 - 27	1427-307-004-00	64 - 19	1429-406-213-00	77 - 12		
1329-202-001-10	35 - 29	1404-503-006-00	78 - 9	1426-600-055-00	116 - 11	1427-313-004-00	69 - 22	1429-406-214-00	77 - 13		
	35 - 83	1407-111-001-00	110 - 6	1426-621-014-00	116 - 13	1427-431-002-00	82 - 3	1429-406-216-00	77 - 18		
1329-202-003-00	35 - 31	1415-102-009-00	26 - 3	1426-621-038-00	120 - 12	1427-431-003-00	74 - 12	1431-566-001-00	51 - 16		
	35 - 85	1415-102-011-00	26 - 6	1427-101-011-00	20 - 9		82 - 15	1432-217-002-00	57 - 12		
1329-203-005-00	59 - 7	1415-102-012-00	26 - 7		21 - 10		97 - 7	1432-242-001-00	34 - 10		
1330-726-013-00	60 - 3A	1415-102-013-00	26 - 8	1427-101-022-00	24 - 8		122 - 2	1432-242-003-00	60 - 30		
	26 - 22	1415-125-025-00	34 - 24		25 - 4	1427-431-005-10	81 - 3	1432-242-004-00	93 - 15		
	38 - 44	1415-312-500-00	67 - 11	1427-130-222-10	35 - 15	1427-431-006-00	81 - 5	1432-406-008-00	76 - 20		
	120 - 9	1415-312-600-00	67 - 12		35 - 69	1427-431-007-00	81 - 6	1432-406-330-00	76 - 19		
1349-601-002-00	35 - 55	1416-501-011-00	89 - 21	1427-130-223-00	35 - 16	1427-431-009-00	80 - 5	1432-407-013-00	38 - 37		
1364-403-005-10	73 - 31	1416-621-037-00	110 - 9		35 - 70		80 - 13	1432-616-002-00	34 - 19		
	36 - 53	1417-102-005-00	11 - 13	1427-130-224-00	35 - 18	1427-431-011-00	80 - 4		74 - 33		
	37 - 57		20 - 13		35 - 72		80 - 8	1432-621-006-10	117 - 31		
1376-402-003-00	26 - 21		21 - 14	1427-130-225-00	35 - 24		80 - 12		117 - 32		
	36 - 49	1421-101-313-00	20 - 4		35 - 78		80 - 12A	1432-621-012-00	110 - 3		
	37 - 53		21 - 4	1427-130-226-00	35 - 34	1427-431-210-00	80 - 7	1432-621-330-10	117 - 30		
	48 - 13	1421-201-002-00	83 - 24		35 - 88	1427-431-220-00	80 - 3	1432-651-028-00	102 - 12		
	120 - 8	1421-502-002-00	51 - 17	1427-130-240-10	35 - 5		80 - 11		103 - 20		
1376-606-005-00	110 - 4		96 - 6		35 - 59		80 - 11A		104 - 12		
1386-241-002-00	70 - 11		122 - 8	1427-130-260-00	35 - 19	1427-431-310-10	81 - 1	1432-654-007-00	112 - 17		
	71 - 3	1421-507-002-10	89 - 19		35 - 73	1427-432-003-00	81 - 16	1434-503-001-00	91 - 13		
	126 - 2	1421-621-007-00	29 - 12	1427-130-270-00	35 - 20	1427-432-004-00	81 - 18	1434-503-002-00	91 - 16		
1401-906-005-00	97 - 12	1421-906-001-00	126 - 1		35 - 74	1427-432-005-00	81 - 19	1434-503-230-00	91 - 12		
1402-511-600-00	48 - 16	1422-180-331-00	35 - 48	1427-130-280-00	35 - 26	1427-432-006-00	81 - 21	1434-503-240-00	91 - 19		
1403-209-006-00	52 - 9		35 - 102		35 - 80	1427-432-007-00	81 - 22	1434-503-250-00	91 - 20		
	52 - 16		36 - 42	1427-201-014-00	62 - 11	1427-432-017-00	81 - 23	1434-503-260-20	91 - 23		
	53 - 13	1422-180-332-00	37 - 46	1427-201-015-00	62 - 12	1427-433-201-00	80 - 9	1434-621-210-20	27 - 1		
	53 - 18		35 - 53	1427-201-016-00	62 - 6		80 - 13A	1435-201-004-00	61 - 17		
	54 - 19		35 - 107		62 - 18	1427-501-003-00	88 - 3	1435-201-012-00	61 - 31		
	54 - 29		36 - 48		62 - 19	1427-601-003-00	35 - 35		61 - 40		
	54 - 34		37 - 52		74 - 8		35 - 89	1435-905-015-00	127 - 40		
	54 - 39	1422-181-038-00	36 - 28	1427-204-003-10	46 - 23	1427-611-201-00	109 - 1	1444-101-016-10	38 - 49		
	56 - 16		37 - 28	1427-210-003-00	50 - 3	1427-611-202-00	109 - 2		120 - 11		
	56 - 21	1422-355-260-00	69 - 9		50 - 12	1427-621-002-10	27 - 2	1444-102-204-00	26 - 4		
	73 - 17	1424-101-004-00	20 - 10	1427-210-004-00	41 - 14	1427-621-012-00	74 - 35	1444-116-007-00	60 - 18		
	73 - 26		21 - 11	1427-212-002-00	32 - 23	1427-934-013-00	127 - 38	1444-122-002-00	34 - 13		

PART CODE	REF. NO.	PART CODE	REF. NO.	PART CODE	REF. NO.	PART CODE	REF. NO.	PART CODE	REF. NO.	PART CODE	REF. NO.
1444-122-002-00	69 - 16	1480-112-200-10	28 - 1	1488-621-270-20	116 - 1	1518-621-560-00	108 - 13	1544-215-015-00	48 - 6		
	69 - 24	1480-112-202-10	28 - 2	1488-621-272-00	116 - 2	1518-903-006-00	123 - 35	1544-215-016-00	48 - 12		
	93 - 3	1480-112-203-00	28 - 3	1491-120-001-00	31 - 22		123 - 73	1544-215-260-20	48 - 5		
1444-307-007-00	123 - 33	1480-117-002-00	30 - 17		32 - 13		125 - 36	1544-215-270-00	48 - 10		
	123 - 71	1480-122-001-10	34 - 20	1491-203-005-00	81 - 2		125 - 75	1544-216-002-20	50 - 6		
	123 - 99	1480-207-012-00	43 - 23	1491-433-004-00	82 - 11	1518-903-007-00	123 - 36	1544-216-003-10	50 - 10		
	125 - 34	1480-211-005-00	45 - 16	1491-433-007-00	82 - 12		123 - 74	1544-216-004-20	50 - 15		
	125 - 73		45 - 17	1491-434-006-00	83 - 21		125 - 37	1544-218-001-10	52 - 1		
	125 - 101		47 - 6	1491-434-008-00	83 - 28		125 - 76	1544-218-001-20	52 - 1A		
1444-314-009-10	37 - 37		72 - 25	1491-434-009-20	83 - 31	1518-938-018-00	39 - 27	1544-218-002-00	52 - 5		
	51 - 5	1480-301-002-10	63 - 2	1491-434-014-10	83 - 20	1527-604-002-00	102 - 4		53 - 8		
1444-408-005-10	78 - 15	1480-301-003-10	63 - 3	1491-434-015-00	83 - 22		118 - 15		54 - 10		
1444-408-312-00	79 - 22	1480-301-004-00	63 - 6	1491-434-017-00	83 - 26		119 - 8		54 - 15		
1444-408-325-00	79 - 43	1480-301-005-00	63 - 7	1491-434-200-10	83 - 15	1541-621-210-00	111 - 11		55 - 7		
1444-411-006-00	81 - 15	1480-434-001-40	83 - 1	1491-434-230-00	83 - 17	1544-102-212-00	20 - 2		56 - 11		
	84 - 5	1480-434-002-10	83 - 2	1491-621-001-00	114 - 7		21 - 2		73 - 11		
	85 - 5	1480-434-004-10	83 - 11	1491-623-220-10	117 - 23	1544-104-202-00	24 - 2		73 - 44		
	86 - 5	1480-434-022-00	84 - 2	1491-623-222-00	117 - 24	1544-104-204-00	24 - 4		121 - 25		
	87 - 5		84 - 4		117 - 26	1544-104-205-00	24 - 5	1544-218-005-00	52 - 20		
1444-413-009-10	83 - 16		85 - 2	1491-623-223-00	117 - 25	1544-116-001-30	29 - 1		53 - 23		
	83 - 18		85 - 4	1505-621-224-00	116 - 12	1544-117-005-10	30 - 2		54 - 44		
	20 - 29		86 - 2	1506-514-001-00	39 - 14	1544-120-007-10	31 - 2		55 - 14		
	21 - 9		86 - 4	1507-307-003-00	50 - 7		32 - 2		56 - 24		
	94 - 5		87 - 2		50 - 16	1544-120-008-10	31 - 13		73 - 34		
	94 - 13		87 - 4		73 - 5	1544-120-009-00	31 - 14		73 - 52		
	95 - 5	1480-441-221-00	71 - 6		73 - 41	1544-122-004-10	32 - 31		121 - 34		
	95 - 13		71 - 10	1509-130-005-00	35 - 52		33 - 11	1544-219-001-00	55 - 1		
1444-514-005-10	51 - 17A	1480-501-003-00	88 - 2		35 - 106	1544-122-204-10	33 - 10	1544-219-002-00	55 - 3		
	97 - 14	1480-601-008-00	102 - 31	1509-623-001-00	117 - 1		33 - 15	1544-219-005-00	52 - 19		
1444-514-300-00	97 - 9A		103 - 5	1509-623-242-00	118 - 8	1544-123-003-00	34 - 21		53 - 22		
	58 - 33	1480-603-001-00	99 - 6	1509-901-003-00	127 - 7	1544-123-005-00	34 - 16		54 - 31		
1444-601-011-00	127 - 5		114 - 5	1509-901-008-00	127 - 22	1544-201-002-00	40 - 6		54 - 43		
1444-601-015-00	102 - 4A	1480-603-002-00	99 - 7	1509-901-014-00	127 - 23	1544-201-003-00	40 - 7		55 - 13		
	103 - 4		112 - 12	1513-408-004-00	78 - 26	1544-201-004-10	40 - 10		56 - 23		
	104 - 3		114 - 6		78 - 33	1544-205-001-00	42 - 8		73 - 33		
	111 - 4	1480-604-204-00	101 - 5	1514-248-002-00	51 - 16A	1544-207-003-00	42 - 5		73 - 51		
	112 - 11		112 - 7	1515-623-201-00	29 - 13		45 - 4		121 - 33		
1444-621-260-00	117 - 35		113 - 5	1516-611-001-00	109 - 33	1544-208-002-00	46 - 2	1544-219-200-20	55 - 6		
1444-621-311-00	117 - 12	1488-247-250-00	122 - 7	1516-611-002-00	109 - 34	1544-208-004-00	46 - 7	1544-251-001-00	121 - 15		
1444-621-312-00	117 - 13	1488-408-330-10	78 - 11	1516-611-004-00	109 - 35	1544-208-005-00	46 - 11	1544-251-002-00	121 - 16		
	117 - 14	1488-541-015-00	112 - 9	1516-611-200-00	109 - 29	1544-209-001-20	46 - 19	1544-301-002-00	62 - 9		
	117 - 15	1488-607-003-00	75 - 16A	1518-621-560-00	105 - 13	1544-215-004-20	48 - 1	1544-301-005-00	62 - 10		
1480-102-005-00	20 - 11	1488-611-001-00	109 - 18		106 - 14	1544-215-013-00	48 - 3	1544-304-003-00	63 - 18		
	21 - 12	1488-611-001-00	109 - 18		107 - 14	1544-215-014-00	48 - 11	1544-304-006-10	63 - 1		
1480-105-200-00	26 - 1	1488-611-003-10	109 - 19		107 - 14		48 - 11		63 - 11		

PART CODE	REF. NO.	PART CODE	REF. NO.	PART CODE	REF. NO.	PART CODE	REF. NO.	PART CODE	REF. NO.	PART CODE	REF. NO.
1575-102-204-00	21	1575-313-001-00	68	1575-612-220-00	110	1594-218-001-00	81	1600-103-006-00	22	1600-103-006-00	81
1575-103-310-00	22	1575-313-201-00	68	1575-616-004-00	112	1594-221-001-00	42	1600-103-210-00	23	1600-103-210-00	42
1575-104-002-00	24	1575-326-001-00	73	1575-623-010-00	120	1594-517-003-00	123	1600-103-250-10	22	1600-103-250-10	123
	25	1575-401-003-00	75	1575-623-011-00	120	1594-517-004-00	123	1600-103-260-00	22	1600-103-260-00	123
1575-104-200-10	24	1575-401-005-00	75	1575-623-010-00	120	1594-517-004-00	123	1600-103-310-00	23	1600-103-310-00	123
	24	1575-401-240-10	74	1575-623-011-00	120	1594-517-004-00	123	1600-103-300-00	23	1600-103-300-00	123
1575-112-005-00	27	1575-401-270-00	74	1575-623-010-00	117	1594-517-004-00	123	1600-103-300-10	23	1600-103-300-10	123
	28	1575-401-280-00	74	1575-901-001-00	127	1594-517-004-00	123	1600-103-300-20	23	1600-103-300-20	123
1575-112-007-00	74	1575-401-290-00	75	1575-901-002-00	127	1594-517-004-00	123	1600-103-310-00	23	1600-103-310-00	123
	102	1575-401-320-00	74	1575-901-004-10	127	1594-517-004-00	123	1600-103-310-10	23	1600-103-310-10	123
	103	1575-401-330-00	74	1575-901-005-00	127	1594-517-004-00	123	1600-104-001-00	24	1600-104-001-00	123
	104	1575-401-340-00	74	1575-901-006-00	127	1594-517-004-00	123	1600-104-002-00	24	1600-104-002-00	123
	120	1575-402-220-00	82	1575-901-008-00	127	1594-517-004-00	123	1600-104-210-10	24	1600-104-210-10	127
1575-117-001-00	30	1575-406-001-10	76	1576-408-001-00	78	1594-517-004-00	123	1600-104-230-00	24	1600-104-230-00	127
1575-117-002-00	29	1575-508-002-00	94	1576-408-200-00	78	1594-517-004-00	123	1600-105-001-00	26	1600-105-001-00	127
	30	1575-508-240-00	95	1577-304-001-00	63	1594-517-004-00	123	1600-105-002-00	26	1600-105-002-00	127
1575-120-002-10	31	1575-508-200-00	94	1577-304-002-00	63	1594-517-004-00	123	1600-105-003-00	26	1600-105-003-00	127
1575-120-200-00	31	1575-508-240-00	95	1577-304-003-00	63	1594-517-004-00	123	1600-105-211-00	26	1600-105-211-00	127
	32	1575-508-240-00	95	1577-304-004-00	63	1594-517-004-00	123	1600-112-001-00	28	1600-112-001-00	127
1575-123-002-00	34	1575-601-001-00	98	1577-304-005-00	63	1594-517-004-00	123	1600-112-231-00	27	1600-112-231-00	127
	34	1575-601-002-00	98	1577-304-006-00	63	1594-517-004-00	123	1600-117-200-00	30	1600-117-200-00	127
1575-123-210-00	34	1575-601-003-00	98	1577-434-200-10	85	1594-517-004-00	123	1600-117-500-00	30	1600-117-500-00	127
1575-123-230-00	34	1575-601-007-00	98	1577-434-210-10	85	1594-517-004-00	123	1600-120-003-00	32	1600-120-003-00	127
1575-201-001-20	40	1575-601-200-20	98	1577-514-220-00	96	1594-517-004-00	123	1600-120-004-00	31	1600-120-004-00	127
	40	1575-601-200-20	98	1577-514-220-00	96	1594-517-004-00	123	1600-120-004-00	32	1600-120-004-00	127
1575-208-001-00	46	1575-601-230-00	98	1579-120-001-00	32	1594-517-004-00	123	1600-116-200-00	29	1600-116-200-00	127
1575-215-003-10	88	1575-601-320-20	98	1579-401-272-10	75	1594-517-004-00	123	1600-117-002-00	30	1600-117-002-00	127
1575-218-002-00	52	1575-603-001-00	99	1588-105-210-00	26	1594-517-004-00	123	1600-117-500-00	30	1600-117-500-00	127
	53	1575-603-002-00	99	1588-251-230-10	121	1594-517-004-00	123	1600-120-003-00	32	1600-120-003-00	127
	54	1575-604-240-00	100	1588-401-002-00	20	1594-517-004-00	123	1600-120-004-00	31	1600-120-004-00	127
	52	1575-604-300-20	100	1588-401-002-00	20	1594-517-004-00	123	1600-120-004-00	32	1600-120-004-00	127
1575-301-001-00	62	1575-604-300-20	100	1588-401-002-00	20	1594-517-004-00	123	1600-112-232-00	28	1600-112-232-00	127
1575-301-006-00	62	1575-604-300-20	100	1588-408-210-00	79	1594-517-004-00	123	1600-116-200-00	29	1600-116-200-00	127
1575-301-007-00	62	1575-604-310-20	100	1588-408-230-00	79	1594-517-004-00	123	1600-117-200-00	30	1600-117-200-00	127
1575-306-001-40	64	1575-604-320-00	100	1588-502-007-00	123	1594-517-004-00	123	1600-117-500-00	30	1600-117-500-00	127
	64	1575-604-320-00	100	1588-502-007-00	123	1594-517-004-00	123	1600-120-003-00	32	1600-120-003-00	127
1575-306-002-30	64	1575-604-330-00	100	1588-502-007-00	123	1594-517-004-00	123	1600-120-004-00	31	1600-120-004-00	127
1575-306-004-00	64	1575-604-330-00	100	1588-502-007-00	123	1594-517-004-00	123	1600-120-004-00	32	1600-120-004-00	127
1575-308-200-00	65	1575-606-001-00	102	1588-502-007-00	123	1594-517-004-00	123	1600-120-220-00	31	1600-120-220-00	127
1575-308-250-10	65	1575-606-001-00	102	1588-502-007-00	123	1594-517-004-00	123	1600-120-230-00	31	1600-120-230-00	127
1575-310-001-00	66	1575-606-001-00	102	1588-502-007-00	123	1594-517-004-00	123	1600-120-500-00	32	1600-120-500-00	127
	66	1575-606-001-00	102	1588-502-007-00	123	1594-517-004-00	123	1600-120-500-00	32	1600-120-500-00	127
1575-310-002-00	66	1575-606-002-00	102	1588-502-007-00	123	1594-517-004-00	123	1600-120-500-00	32	1600-120-500-00	127
1575-310-230-00	66	1575-606-002-00	102	1588-502-007-00	123	1594-517-004-00	123	1600-120-500-00	32	1600-120-500-00	127
1575-310-240-00	66	1575-606-002-00	102	1588-502-007-00	123	1594-517-004-00	123	1600-120-500-00	32	1600-120-500-00	127
1575-312-200-00	67	1575-611-001-00	109	1588-502-007-00	123	1594-517-004-00	123	1600-120-500-00	32	1600-120-500-00	127
1575-312-220-00	67	1575-611-001-00	109	1588-502-007-00	123	1594-517-004-00	123	1600-120-500-00	32	1600-120-500-00	127

PART CODE	REF. NO.	PART CODE	REF. NO.	PART CODE	REF. NO.	PART CODE	REF. NO.	PART CODE	REF. NO.	PART CODE	REF. NO.
1600-604-210-00	101 - 3	1600-616-007-00	112 - 15	1600-624-271-00	120 - 18	1602-203-051-00	44 -	1602-215-002-00	48 -	1602-218-001-00	52 -
1600-604-220-00	101 - 4	1600-616-072-00	113 - 7	1600-624-301-00	120 - 17	1602-205-002-00	42 -	1602-215-051-00	49 -	1602-218-051-10	53 -
1600-604-300-00	101 - 1	1600-616-051-00	111 - 8	1600-624-280-00	118 - 17	1602-205-003-00	42 -	1602-215-000-00	48 -	1602-218-000-00	50 -
1600-604-730-00	100 - 14	1600-616-052-10	111 - 9	1600-624-290-00	120 - 14	1602-205-004-00	42 -	1602-216-001-00	50 -	1602-218-051-10	53 -
1600-606-003-00	102 - 27	1600-616-070-10	113 - 11	1600-624-291-00	120 - 15	1602-205-048-00	44 -	1602-218-001-00	52 -	1602-218-051-10	53 -
1600-606-073-00	103 - 36	1600-616-071-00	113 - 12	1600-624-300-00	120 - 16	1602-205-046-00	42 -	1602-218-001-00	52 -	1602-218-061-00	54 -
1600-607-001-00	103 - 10	1600-616-210-00	111 - 1	1600-901-003-00	127 - 8	1602-205-042-00	43 -	1602-218-003-00	52 -	1602-218-051-10	53 -
1600-607-002-00	105 - 6	1600-616-220-00	112 - 1	1600-902-009-00	127 - 15	1602-205-044-00	43 -	1602-218-003-00	52 -	1602-218-061-00	54 -
1600-607-003-00	105 - 16	1600-616-800-10	113 - 14	1600-902-019-00	127 - 29	1602-205-055-00	44 -	1602-218-001-00	52 -	1602-218-062-00	54 -
1600-607-004-00	105 - 7	1600-616-820-10	113 - 18	1600-902-023-00	127 - 39	1602-205-051-00	44 -	1602-218-063-10	54 -	1602-218-063-10	54 -
1600-607-005-00	107 - 6	1600-616-830-10	113 - 20	1600-902-029-00	127 - 28	1602-205-052-00	44 -	1602-218-063-10	54 -	1602-218-063-10	54 -
1600-607-006-00	107 - 8	1600-616-840-00	113 - 15	1600-902-051-00	127 - 19	1602-205-053-00	44 -	1602-218-063-10	54 -	1602-218-063-10	54 -
1600-607-007-00	107 - 9	1600-619-001-10	111 - 12	1600-902-053-00	127 - 20	1602-205-054-00	44 -	1602-218-063-10	54 -	1602-218-063-10	54 -
1600-607-008-00	107 - 10	1600-619-200-10	111 - 10	1600-902-054-00	127 - 21	1602-205-055-00	44 -	1602-218-063-10	54 -	1602-218-063-10	54 -
1600-607-009-00	107 - 11	1600-621-200-00	114 - 1	1600-904-051-00	127 - 46	1602-205-056-00	44 -	1602-218-063-10	54 -	1602-218-063-10	54 -
1600-607-010-00	107 - 12	1600-622-003-00	115 - 19	1602-104-200-00	25 - 1	1602-207-001-00	45 -	1602-218-063-10	54 -	1602-218-063-10	54 -
1600-607-011-00	107 - 13	1600-622-004-10	115 - 4	1602-121-001-10	33 - 1	1602-207-002-00	45 -	1602-218-063-10	54 -	1602-218-063-10	54 -
1600-607-012-00	108 - 3	1600-622-005-10	115 - 5	1602-122-001-10	33 - 4	1602-207-003-00	45 -	1602-218-063-10	54 -	1602-218-063-10	54 -
1600-607-013-00	108 - 4	1600-622-006-00	115 - 35	1602-122-200-00	33 - 8	1602-207-051-10	45 -	1602-218-063-10	54 -	1602-218-063-10	54 -
1600-607-014-00	108 - 5	1600-622-007-00	115 - 9	1602-122-210-00	33 - 9	1602-207-052-00	45 -	1602-218-063-10	54 -	1602-218-063-10	54 -
1600-607-015-00	108 - 6	1600-622-008-00	115 - 16	1602-122-400-00	33 - 13	1602-207-200-00	45 -	1602-218-063-10	54 -	1602-218-063-10	54 -
1600-607-016-00	108 - 7	1600-622-009-00	115 - 26	1602-122-410-00	33 - 14	1602-207-500-00	45 -	1602-218-063-10	54 -	1602-218-063-10	54 -
1600-607-017-00	108 - 8	1600-622-010-00	115 - 33	1602-201-041-00	40 - 12	1602-207-600-00	45 -	1602-219-051-00	56 -	1602-219-052-00	56 -
1600-607-018-00	108 - 9	1600-622-011-00	115 - 20	1602-201-042-00	40 - 13	1602-208-042-00	43 -	1602-219-052-00	56 -	1602-219-052-00	56 -
1600-607-019-00	108 - 10	1600-622-012-00	115 - 30	1602-201-051-00	41 - 1	1602-208-043-00	43 -	1602-219-052-00	56 -	1602-219-052-00	56 -
1600-607-020-00	108 - 11	1600-622-013-00	115 - 5	1602-201-051-10	41 - 1A	1602-208-044-00	43 -	1602-219-052-00	56 -	1602-219-052-00	56 -
1600-607-021-00	108 - 12	1600-622-014-00	117 - 27	1602-201-052-00	41 - 6	1602-208-045-00	43 -	1602-219-052-00	56 -	1602-219-052-00	56 -
1600-607-022-00	108 - 13	1600-622-015-00	117 - 28	1602-201-052-10	41 - 6A	1602-208-046-00	43 -	1602-219-052-00	56 -	1602-219-052-00	56 -
1600-607-023-00	108 - 14	1600-622-016-00	117 - 29	1602-201-053-00	41 - 12	1602-208-047-00	43 -	1602-219-052-00	56 -	1602-219-052-00	56 -
1600-607-024-00	108 - 15	1600-622-017-00	118 - 14	1602-201-062-00	41 - 24	1602-208-051-00	46 -	1602-219-052-00	56 -	1602-219-052-00	56 -
1600-607-025-00	108 - 16	1600-622-018-00	118 - 7	1602-203-002-00	42 - 1	1602-208-052-00	46 -	1602-219-052-00	56 -	1602-219-052-00	56 -
1600-607-026-00	108 - 17	1600-622-019-00	118 - 16	1602-203-003-00	42 - 7	1602-208-053-00	46 -	1602-219-052-00	56 -	1602-219-052-00	56 -
1600-607-027-00	108 - 18	1600-622-020-00	118 - 29	1602-203-041-00	43 - 7	1602-208-061-00	47 -	1602-219-052-00	56 -	1602-219-052-00	56 -
1600-607-028-00	108 - 19	1600-622-021-00	118 - 33	1602-203-042-00	43 - 1	1602-208-062-00	47 -	1602-219-052-00	56 -	1602-219-052-00	56 -
1600-607-029-00	108 - 20	1600-622-022-00	118 - 14	1602-203-043-00	43 - 8	1602-208-063-00	47 -	1602-219-052-00	56 -	1602-219-052-00	56 -
1600-607-030-00	108 - 21	1600-622-023-00	118 - 7	1602-203-044-00	43 - 9	1602-209-001-00	46 -	1602-219-052-00	56 -	1602-219-052-00	56 -
1600-607-031-00	108 - 22	1600-622-024-00	118 - 19	1602-203-045-00	43 - 11	1602-209-002-00	46 -	1602-219-052-00	56 -	1602-219-052-00	56 -
1600-607-032-00	108 - 23	1600-622-025-00	118 - 1	1602-203-046-00	43 - 13	1602-215-001-00	48 -	1602-219-052-00	56 -	1602-219-052-00	56 -
1600-607-033-00	108 - 24	1600-622-026-00	118 - 1A	1602-203-047-00	43 - 6	1602-208-061-00	47 -	1602-219-052-00	56 -	1602-219-052-00	56 -
1600-607-034-00	108 - 25	1600-622-027-00	118 - 8	1602-203-048-00	43 - 3	1602-208-062-00	47 -	1602-219-052-00	56 -	1602-219-052-00	56 -
1600-607-035-00	108 - 26	1600-622-028-00	118 - 14	1602-203-049-00	43 - 1	1602-208-063-00	47 -	1602-219-052-00	56 -	1602-219-052-00	56 -
1600-607-036-00	108 - 27	1600-622-029-00	118 - 16	1602-203-050-00	43 - 8	1602-208-064-00	47 -	1602-219-052-00	56 -	1602-219-052-00	56 -
1600-607-037-00	108 - 28	1600-622-030-00	118 - 7	1602-203-051-00	43 - 11	1602-208-065-00	47 -	1602-219-052-00	56 -	1602-219-052-00	56 -
1600-607-038-00	108 - 29	1600-622-031-00	118 - 19	1602-203-052-00	43 - 3	1602-208-066-00	47 -	1602-219-052-00	56 -	1602-219-052-00	56 -
1600-607-039-00	108 - 30	1600-622-032-00	118 - 3	1602-203-053-00	43 - 1	1602-208-067-00	47 -	1602-219-052-00	56 -	1602-219-052-00	56 -
1600-607-040-00	108 - 31	1600-622-033-00	118 - 16	1602-203-054-00	43 - 8	1602-208-068-00	47 -	1602-219-052-00	56 -	1602-219-052-00	56 -
1600-607-041-00	108 - 32	1600-622-034-00	118 - 10	1602-203-055-00	43 - 9	1602-208-069-00	47 -	1602-219-052-00	56 -	1602-219-052-00	56 -
1600-607-042-00	108 - 33	1600-622-035-00	118 - 10	1602-203-056-00	43 - 11	1602-208-070-00	47 -	1602-219-052-00	56 -	1602-219-052-00	56 -
1600-607-043-00	108 - 34	1600-622-036-00	118 - 6	1602-203-057-00	43 - 13	1602-208-071-00	47 -	1602-219-052-00	56 -	1602-219-052-00	56 -
1600-607-044-00	108 - 35	1600-622-037-00	118 - 13	1602-203-058-00	43 - 7	1602-208-072-00	47 -	1602-219-052-00	56 -	1602-219-052-00	56 -
1600-607-045-00	108 - 36	1600-622-038-00	118 - 19	1602-203-059-00	43 - 3	1602-208-073-00	47 -	1602-219-052-00	56 -	1602-219-052-00	56 -
1600-607-046-00	108 - 37	1600-622-039-00	118 - 16	1602-203-060-00	43 - 6	1602-208-074-00	47 -	1602-219-052-00	56 -	1602-219-052-00	56 -
1600-607-047-00	108 - 38	1600-622-040-00	118 - 7	1602-203-061-00	43 - 1	1602-208-075-00	47 -	1602-219-052-00	56 -	1602-219-052-00	56 -
1600-607-048-00	108 - 39	1600-622-041-00	118 - 14	1602-203-062-00	43 - 8	1602-208-076-00	47 -	1602-219-052-00	56 -	1602-219-052-00	56 -
1600-607-049-00	108 - 40	1600-622-042-00	118 - 1	1602-203-063-00	43 - 9	1602-208-077-00	47 -	1602-219-052-00	56 -	1602-219-052-00	56 -
1600-607-050-00	108 - 41	1600-622-043-00	118 - 10	1602-203-064-00	43 - 11	1602-208-078-00	47 -	1602-219-052-00	56 -	1602-219-052-00	56 -
1600-607-051-00	108 - 42	1600-622-044-00	118 - 6	1602-203-065-00	43 - 13	1602-208-079-00	47 -	1602-219-052-00	56 -	1602-219-052-00	56 -
1600-607-052-00	108 - 43	1600-622-045-00	118 - 19	1602-203-066-00	43 - 3	1602-208-080-00	47 -	1602-219-052-00	56 -	1602-219-052-00	56 -
1600-607-053-00	108 - 44	1600-622-046-00	118 - 7	1602-203-067-00	43 - 6	1602-208-081-00	47 -	1602-219-052-00	56 -	1602-219-052-00	56 -
1600-607-054-00	108 - 45	1600-622-047-00	118 - 14	1602-203-068-00	43 - 1	1602-208-082-00	47 -	1602-219-052-00	56 -	1602-219-052-00	56 -
1600-607-055-00	108 - 46	1600-622-048-00	118 - 16	1602-203-069-00	43 - 8	1602-208-083-00	47 -	1602-219-052-00	56 -	1602-219-052-00	56 -
1600-607-056-00	108 - 47	1600-622-049-00	118 - 7	1602-203-070-00	43 - 11	1602-208-084-00	47 -	1602-219-052-00	56 -	1602-219-052-00	56 -
1600-607-057-00	108 - 48	1600-622-050-00	118 - 19	1602-203-071-00	43 - 3	1602-208-085-00	47 -	1602-219-052-00	56 -	1602-219-052-00	56 -
1600-607-058-00	108 - 49	1600-622-051-00	118 - 7	1602-203-072-00	43 - 6	1602-208-086-00	47 -	1602-219-052-00	56 -	1602-219-052-00	56 -
1600-607-059-00	108 - 50	1600-622-052-00	118 - 14	1602-203-073-00	43 - 1	1602-208-087-00	47 -	1602-219-052-00	56 -	1602-219-052-00	56 -
1600-607-060-00	108 - 51	1600-622-053-00	118 - 16	1602-203-074-00	43 - 8	1602-208-088-00	47 -	1602-219-052-00	56 -	1602-219-052-00	56 -
1600-607-061-00	108 - 52	1600-622-054-00	118 - 7	1							

*** NUMERICAL INDEX ***

PART CODE	REF. NO.	PART CODE	REF. NO.	PART CODE	REF. NO.	PART CODE	REF. NO.	PART CODE	REF. NO.	PART CODE	REF. NO.
1602-240-500-00	58 - 1	1602-310-230-00	66 - 22	1602-326-580-00	73 - 21	1602-509-001-00	125 - 94	1602-606-210-20	104 - 24		
1602-240-510-10	58 - 10	1602-312-201-00	67 - 10	1602-326-580-10	73 - 21A	1602-509-210-00	123 - 3	1602-606-220-10	102 - 29		
1602-240-520-10	58 - 28	1602-313-002-00	69 - 2	1602-335-001-00	51 - 12		123 - 41		104 - 30		
1602-240-520-20	58 - 28A	1602-313-003-00	69 - 15	1602-335-201-00	51 - 8	1602-509-220-00	123 - 4	1602-606-240-00	102 - 6		
1602-240-530-10	58 - 31	1602-313-003-10	69 - 15A	1602-335-210-00	51 - 18		123 - 42		103 - 12		
1602-240-530-20	58 - 31A	1602-313-201-00	69 - 21	1602-336-200-00	122 - 1	1602-509-230-00	123 - 20		104 - 4		
1602-240-530-30	58 - 31B	1602-313-211-00	69 - 23	1602-401-001-00	74 - 3		123 - 58	1602-606-250-00	102 - 7		
1602-240-540-00	58 - 9	1602-317-201-00	70 - 2	1602-401-002-00	74 - 5		123 - 91		103 - 14		
1602-240-550-00	58 - 29		70 - 6	1602-401-070-00	74 - 40		125 - 21		104 - 6		
1602-241-500-10	59 - 1	1602-317-231-00	71 - 2	1602-401-210-10	74 - 1		125 - 60	1602-606-300-10	102 - 2		
1602-241-500-20	59 - 1A	1602-317-240-00	71 - 1	1602-401-210-20	74 - 1A		125 - 93	1602-606-510-00	102 - 32		
1602-241-570-00	59 - 8	1602-321-001-00	72 - 1	1602-401-510-10	74 - 2	1602-509-240-00	123 - 24		103 - 13		
1602-241-580-00	59 - 9	1602-321-002-00	72 - 27	1602-401-510-20	74 - 2A		123 - 62		104 - 5		
1602-242-052-10	60 - 19	1602-321-003-00	72 - 29	1602-401-700-10	74 - 37		125 - 25	1602-606-520-00	102 - 33		
1602-242-500-10	60 - 1	1602-321-051-00	72 - 5	1602-401-720-10	74 - 38		125 - 64		103 - 15		
1602-242-511-10	60 - 7	1602-321-051-10	72 - 5A	1602-431-001-00	80 - 1	1602-509-250-00	123 - 29		104 - 7		
1602-242-520-10	60 - 13	1602-321-052-00	72 - 9	1602-431-052-00	80 - 2		123 - 67	1602-606-600-00	104 - 1		
1602-242-551-10	60 - 21	1602-321-053-00	72 - 11	1602-441-201-00	70 - 10		125 - 30	1602-606-700-10	103 - 1		
1602-242-560-10	60 - 27	1602-321-054-00	72 - 13	1602-501-001-10	89 - 1		125 - 69	1602-606-720-10	103 - 2		
1602-242-700-00	60 - 32	1602-321-055-00	72 - 12	1602-501-210-00	88 - 1	1602-509-310-00	123 - 76	1602-607-070-00	106 - 4		
1602-243-051-10	61 - 8	1602-321-200-00	72 - 30	1602-502-001-00	90 - 3	1602-509-320-00	123 - 77	1602-607-071-00	106 - 5		
1602-243-510-10	61 - 5	1602-322-002-00	72 - 20	1602-504-001-00	49 - 5	1602-509-330-00	123 - 95	1602-607-072-00	106 - 6		
1602-243-520-20	61 - 11	1602-322-003-00	72 - 18	1602-504-002-00	92 - 1		125 - 97		108 - 5		
1602-243-530-10	61 - 19	1602-322-051-00	72 - 16		92 - 5		125 - 42	1602-607-073-00	106 - 7		
1602-243-530-20	61 - 19A	1602-322-052-00	72 - 22	1602-505-003-00	93 - 7A	1602-509-520-00	125 - 4	1602-607-074-00	108 - 6		
1602-243-590-10	61 - 34	1602-322-053-00	72 - 23	1602-505-200-00	93 - 13		125 - 43		106 - 8		
1602-243-610-00	61 - 39	1602-325-001-00	73 - 3	1602-505-210-00	93 - 8	1602-509-560-00	125 - 78	1602-607-200-10	105 - 1		
1602-251-001-00	121 - 14	1602-325-002-00	73 - 3	1602-505-230-00	93 - 17	1602-509-570-00	125 - 79	1602-607-210-00	105 - 8		
1602-251-002-00	121 - 35	1602-325-041-00	73 - 38	1602-505-700-10	93 - 21	1602-509-700-00	123 - 1		106 - 11		
1602-251-003-00	121 - 36	1602-325-042-00	73 - 40	1602-508-001-10	94 - 4	1602-509-710-00	123 - 39		107 - 9		
1602-251-200-00	121 - 1	1602-325-051-00	73 - 2	1602-508-240-10	94 - 9	1602-509-720-00	125 - 1		108 - 10		
1602-251-210-00	121 - 27	1602-325-052-00	73 - 4		94 - 9	1602-509-730-00	125 - 40	1602-607-300-10	105 - 2		
1602-251-220-00	121 - 30	1602-325-052-10	73 - 4A	1602-508-250-00	94 - 30	1602-509-740-00	123 - 103	1602-607-500-20	107 - 1		
1602-301-001-00	62 - 14	1602-326-001-00	73 - 35	1602-508-260-00	94 - 35	1602-509-750-00	123 - 107	1602-607-510-20	107 - 2		
1602-304-001-00	63 - 12	1602-326-200-00	73 - 9	1602-508-260-10	94 - 35	1602-514-200-00	96 - 1	1602-607-700-00	106 - 1		
1602-306-003-00	64 - 13	1602-326-210-00	73 - 19	1602-508-510-20	95 - 32	1602-514-210-00	96 - 2	1602-607-710-10	106 - 2		
1602-306-051-00	64 - 14	1602-326-210-10	73 - 19A	1602-508-510-30	95 - 32A	1602-514-240-00	97 - 15	1602-607-730-10	108 - 1		
1602-306-200-00	64 - 10	1602-326-230-00	73 - 14	1602-508-520-00	95 - 37	1602-606-070-00	103 - 7	1602-612-070-00	110 - 13		
1602-307-001-00	64 - 16	1602-326-240-20	73 - 28	1602-508-530-00	95 - 1A	1602-606-071-00	103 - 8	1602-612-071-00	110 - 14		
1602-308-200-00	65 - 10	1602-326-240-30	73 - 28A	1602-509-001-00	123 - 21	1602-606-072-00	103 - 9	1602-616-001-10	111 - 7		
1602-308-220-00	65 - 16	1602-326-400-00	73 - 43		123 - 59	1602-606-073-00	103 - 11	1602-621-300-00	114 - 3		
1602-310-200-00	66 - 2	1602-326-410-00	73 - 47		123 - 92	1602-606-200-10	102 - 1	1602-621-500-00	114 - 2		
1602-310-201-00	66 - 1	1602-326-560-20	73 - 29		125 - 22	1602-606-210-20	102 - 23	1602-621-600-00	114 - 4		
1602-310-210-00	66 - 19	1602-326-560-30	73 - 29A		125 - 61		103 - 32	1602-622-061-00	116 - 18		

PART CODE	REF. NO.	PART CODE	REF. NO.	PART CODE	REF. NO.	PART CODE	REF. NO.	PART CODE	REF. NO.	PART CODE	REF. NO.
1602-622-062-00	116 - 19	3560-503-302-00	104 - 16	6209-009-001-00	6 - 11	6211-310-005-10	3 - 1	6212-533-005-00	4 - 10		
1602-624-600-00	119 - 1	3560-702-001-10	126 - 10	6209-030-005-00	3 - 9	6211-311-007-20	4 - 1	6212-535-001-00	8 - 4		
1602-624-610-00	119 - 3	3614-321-001-00	102 - 11	6209-030-006-00	3 - 15	6211-312-003-10	3 - 27	6212-535-002-00	15 - 15		
1602-902-004-00	127 - 13		103 - 19		11 - 18	6211-312-004-10	4 - 2	6212-551-001-00	8 - 9		
1602-902-005-00	127 - 14		104 - 11	6209-030-041-00	11 - 26	6211-319-003-00	4 - 4	6212-552-001-00	8 - 10		
1602-902-007-00	127 - 30	3621-304-003-00	24 - 14	6209-030-043-00	15 - 18	6211-322-002-00	4 - 17	6212-561-001-00	8 - 11		
1602-902-008-00	127 - 32		25 - 5	6209-030-081-00	2 - 32	6211-341-007-10	2 - 33	6212-563-001-00	8 - 12		
1602-902-008-10	127 - 32A	3625-112-001-00	52 - 14		14 - 2	6211-342-002-00	2 - 34	6212-565-001-00	8 - 13		
1602-902-009-00	127 - 31	3625-540-004-00	3 - 37	6209-031-083-00	16 - 4	6211-360-002-10	5 - 1	6212-569-002-00	1 - 10		
1602-902-011-00	127 - 33	3631-170-006-10	39 - 17	6209-046-001-00	3 - 38	6211-510-001-00	7 - 20	6212-571-001-00	8 - 14		
1602-902-011-10	127 - 33A	3632-360-008-00	13 - 16	6209-050-001-00	3 - 31	6211-540-001-00	7 - 21	6212-575-002-00	8 - 15		
1602-902-012-00	127 - 50	3632-360-036-00	13 - 13	6209-050-002-00	3 - 32	6211-560-001-00	7 - 22	6212-600-002-00	8 - 16		
1602-902-041-00	127 - 47	3640-111-001-00	53 - 16	6209-300-003-00	12 - 3	6211-715-002-00	1 - 7	6212-611-003-10	8 - 17		
1602-902-042-00	127 - 48		54 - 25	6209-360-005-00	13 - 10	6211-721-001-00	1 - 8	6212-616-002-00	8 - 25		
1602-902-061-00	127 - 49		55 - 37	6209-360-010-00	13 - 9	6211-721-002-00	1 - 9	6212-620-001-10	8 - 18		
1602-904-001-00	127 - 45		56 - 19	6209-360-021-00	13 - 12	6211-751-001-10	1 - 18	6212-626-002-10	8 - 20		
1603-130-003-00	36 - 23		65 - 11	6209-360-027-10	1 - 22	6211-760-005-20	2 - 30	6212-628-004-00	8 - 21		
	37 - 23		73 - 20	6209-409-001-00	3 - 18	6211-766-001-10	2 - 31	6212-628-005-00	8 - 22		
1603-207-001-00	43 - 5		73 - 22	6209-409-003-00	8 - 26	6211-777-010-00	14 - 1	6213-100-003-10	6 - 1		
1603-218-053-00	54 - 21	3640-220-004-00	60 - 9	6209-490-002-00	1 - 20	6212-111-013-10	7 - 1	6213-111-001-10	6 - 2		
			60 - 22	6209-580-002-10	12 - 14	6212-114-013-10	7 - 24	6213-113-002-00	6 - 3		
1603-902-004-00	127 - 41		60 - 10	6209-587-001-00	7 - 4	6212-116-013-10	7 - 26	6213-121-001-00	6 - 4		
1603-902-051-00	127 - 42	3640-220-005-00	60 - 10	6209-605-002-10	1 - 6	6212-124-008-00	7 - 25	6213-123-001-00	6 - 6		
2100-217-002-00	30 - 15		60 - 23	6209-610-001-00	2 - 8	6212-126-008-00	7 - 27	6213-125-001-00	6 - 5		
2101-230-001-00	35 - 47		64 - 15		3 - 4	6212-211-001-10	7 - 3	6213-129-001-00	6 - 8		
	35 - 101		88 - 8	6209-610-002-00	3 - 4	6212-230-004-00	7 - 5	6213-129-002-00	6 - 9		
				6209-610-002-00	3 - 4	6212-235-001-00	7 - 6	6213-140-003-00	9 - 1		
2130-601-018-00	3 - 22		31 - 15	6209-625-002-00	2 - 8	6212-251-002-00	7 - 8	6213-149-002-00	9 - 3		
	123 - 60		64 - 15	6209-630-002-10	16 - 15	6212-261-002-00	7 - 9	6213-161-001-00	3 - 28		
			88 - 8	6209-740-001-00	3 - 26	6212-264-002-00	7 - 23	6213-163-002-00	3 - 30		
			110 - 18	6209-749-001-10	2 - 15	6212-266-002-00	7 - 28	6213-164-001-00	3 - 29		
			116 - 10	6209-940-002-00	4 - 6	6212-310-009-00	7 - 10	6213-240-002-00	9 - 5		
			120 - 6	6211-110-014-20	8 - 23	6212-330-014-50	7 - 14	6213-311-006-00	10 - 1		
			13 - 14	6211-141-008-10	1 - 1	6212-371-010-40	7 - 17	6213-319-001-00	2 - 25		
2130-931-210-00	126 - 4		26 - 19	6211-150-011-00	1 - 12	6212-379-001-00	7 - 18	6213-610-005-10	11 - 1		
				6211-170-004-10	1 - 3	6212-511-002-00	8 - 1	6213-614-003-10	11 - 2		
2132-901-007-10	127 - 10	3748-185-003-00	78 - 34	6211-171-004-20	1 - 15	6212-521-002-00	7 - 12	6213-614-004-10	11 - 7		
2142-331-210-00	76 - 1	3768-185-016-00	61 - 32	6211-173-003-00	1 - 19	6212-522-003-00	8 - 2	6213-619-001-00	11 - 6		
2142-331-212-00	76 - 2		61 - 41	6211-210-017-20	2 - 1	6212-523-003-00	8 - 6	6213-641-002-00	11 - 24		
2701-101-052-00	102 - 21	4101-102-038-00	76 - 32	6211-258-001-00	2 - 12	6212-524-002-00	15 - 11	6213-660-007-00	11 - 23		
	103 - 30	4319-601-004-00	118 - 7	6211-258-002-00	2 - 12	6212-525-003-00	4 - 9	6213-669-002-00	11 - 25		
				6211-291-007-20	2 - 26	6212-528-001-00	8 - 8	6213-671-003-00	11 - 27		
3560-203-002-00	104 - 22	4335-121-245-00	59 - 4	6211-291-008-10	16 - 14	6212-530-005-00	4 - 8	6213-674-006-00	16 - 1		
3560-503-302-00	68 - 12	6182-410-008-10	16 - 9	6209-000-002-00	8 - 27	6212-531-005-00	2 - 11	6213-711-003-20	11 - 20		
	68 - 11	6209-000-002-00	8 - 27	6209-000-003-00	1 - 13						
	102 - 15	6209-000-003-00	1 - 13	6211-292-001-20	2 - 7						
	103 - 24	6209-000-004-00	2 - 7								

*** NUMERICAL INDEX ***

PART CODE	REF. NO.	PART CODE	REF. NO.	PART CODE	REF. NO.	PART CODE	REF. NO.	PART CODE	REF. NO.	PART CODE	REF. NO.
6213-716-001-20	11-14	6215-549-025-00	15-26	6281-200-005-00	19-1	6581-119-035-00	18-13	6901-931-240-00	16-7		
6213-721-001-00	2-24	6215-600-052-20	15-1	6281-211-003-00	19-12	6581-119-036-00	18-14	6902-050-816-00	4-3		
6213-721-003-00	11-15	6215-619-022-00	17-11	6281-213-004-00	19-8	6581-121-041-00	18-2	6902-050-820-00	15-7		
6213-729-001-00	11-12	6215-611-001-00	17-9	6281-213-006-00	19-7	6581-123-029-00	18-16	6904-110-818-00	2-20		
6213-743-002-10	11-16	6215-612-001-00	17-12	6281-214-003-00	19-14	6581-127-028-00	18-23	6904-110-822-00	2-21		
6214-111-009-10	12-1	6215-619-009-00	17-2	6281-214-004-00	19-15	6581-129-280-00	18-25		3-5		
6214-115-001-20	12-11	6215-619-010-00	17-3	6281-215-001-00	19-19	6581-151-062-00	18-24		4-7		
6214-119-001-00	1-17	6215-619-022-00	17-11	6281-216-001-00	19-20	6582-450-014-00	16-10	6904-110-840-00	2-19		
6214-141-010-10	12-15	6215-621-002-20	15-10	6281-217-001-00	19-18	6894-208-187-00	18-3		11-8		
6214-145-001-20	12-16	6215-622-001-00	17-15	6281-221-001-00	19-5	6894-208-257-00	18-5	6904-110-845-00	12-2		
6214-310-002-00	12-4	6215-629-001-00	17-13	6281-222-004-00	19-2	6894-208-288-00	18-4	6904-110-850-00	3-7		
6214-319-002-00	12-5	6215-629-002-00	17-14	6281-229-002-00	19-3	6894-208-289-00	18-6	6904-110-855-00	3-6		
6215-300-006-10	13-1	6215-629-003-00	17-21	6281-229-003-00	19-4	6894-208-290-00	18-7	6908-000-716-00	8-3		
6215-300-009-10	13-4	6215-629-004-00	17-22	6281-229-005-00	19-6	6894-208-291-00	18-9		15-12		
6215-311-019-00	13-2	6215-629-005-00	17-23	6281-229-006-00	19-9	6894-208-295-00	18-12	6908-000-750-00	7-13		
6215-315-002-00	13-3	6215-629-007-00	17-24	6281-229-007-00	19-10	6894-208-298-00	18-18	6908-160-408-00	6-10		
6215-330-003-00	13-6	6215-629-008-00	17-26	6281-229-009-00	19-11	6894-208-306-00	18-20	6908-160-612-00	2-18		
6215-330-004-00	13-3	6215-629-009-00	17-27	6281-229-011-00	19-17	6894-208-307-00	18-21	6908-160-816-00	7-16		
6215-410-005-10	13-17	6215-629-010-00	17-28	6281-229-012-00	19-22	6894-208-308-00	18-22	6908-161-018-00	7-11		
6215-410-006-10	13-18	6215-629-011-00	17-29	6281-229-013-00	19-23	6894-240-902-00	7-7	6909-110-406-00	3-33		
6215-410-007-10	13-19	6215-629-012-00	17-30	6281-229-014-00	19-24	6894-453-344-00	2-22		15-38		
6215-410-008-10	13-20	6215-629-013-00	17-31	6281-229-015-00	19-25	6900-097-521-00	1-4	6909-110-408-00	4-14		
6215-412-002-10	13-8	6215-629-014-00	17-32	6281-229-016-00	19-26	6901-045-632-00	18-26		4-18		
6215-419-001-00	13-15	6215-629-015-00	17-33	6281-229-017-00	19-27	6901-050-850-00	8-28		12-8		
6215-520-001-00	15-17	6215-629-016-00	17-34	6281-229-018-00	19-28	6901-066-645-00	7-19	6909-110-410-00	16-5		
6215-526-001-10	15-19	6215-631-001-00	17-10	6281-229-019-00	19-21	6901-910-612-00	2-28	6909-110-508-00	3-11		
6215-531-004-00	15-33	6215-634-001-00	17-19	6281-229-029-00	19-16		5-4		8-29		
6215-541-001-00	15-20	6215-635-001-00	17-17	6281-271-001-00	19-29		8-5		11-4		
6215-541-005-20	15-24	6215-637-001-00	17-16	6281-410-002-20	16-11		15-16		11-10		
6215-541-010-10	15-34	6215-639-004-00	17-18	6281-420-001-00	16-13		16-16		15-8		
6215-542-004-10	3-21	6215-639-005-00	17-20	6509-000-018-10	7-16	6901-910-616-00	3-36	6909-150-506-00	15-40		
6215-542-005-00	3-23	6215-641-001-00	17-8	6509-000-084-00	3-10	6901-910-625-00	6-12	6909-150-508-00	3-12		
6215-542-006-00	15-22	6215-643-001-00	17-4	6509-605-019-10	2-10	6901-910-816-00	9-4		4-15		
6215-543-002-00	15-21	6215-644-001-00	17-5		3-3	6901-910-820-00	3-13		4-19		
6215-546-001-00	3-17	6215-649-001-00	17-6	6509-637-015-00	12-6		11-9		11-5		
6215-549-004-10	15-25	6215-649-002-00	17-7	6509-704-059-00	13-11		11-17		11-11		
6215-549-006-00	15-27	6219-310-003-00	3-34	6511-321-083-00	4-16		12-12		12-9		
6215-549-007-00	15-37	6219-732-002-00	16-12	6513-770-022-10	11-19		16-2		15-9		
6215-549-009-00	15-28	6219-752-006-00	15-2	6581-100-205-00	16-6	6901-910-825-00	12-17	6909-164-508-00	8-30		
6215-549-010-00	15-29	6219-752-007-00	15-3		18-1	6901-910-830-00	11-22		12-10		
6215-549-012-00	2-29	6219-752-009-00	15-5	6581-113-058-00	18-17	6901-910-840-00	12-13	6909-164-708-00	16-3		
6215-549-013-00	15-30	6219-752-010-00	15-6	6581-115-010-00	18-11	6901-910-845-00	3-14	6909-202-308-00	3-24		
6215-549-023-00	15-31	6281-200-005-00	16-8	6581-117-023-00	18-15		11-3	6909-571-414-00	5-3		
6215-549-024-00	15-31			6581-119-034-00	18-10	6901-911-020-00	2-35	6909-572-008-00	1-21		

PART CODE	REF. NO.	PART CODE	REF. NO.	PART CODE	REF. NO.	PART CODE	REF. NO.	PART CODE	REF. NO.	PART CODE	REF. NO.
6909-812-021-00	12 - 7	K200-014-007-00	91 - 8	V120-364-001-20	115 - 12	V201-261-011-00	66 - 14	V201-361-202-50	87 - 16		
6909-830-212-00	1 - 14	K211-001-006-20	91 - 5	V120-365-002-00	115 - 37	V201-261-013-00	123 - 101	V201-361-203-00	51 - 9		
6909-902-299-00	2 - 23	K211-001-007-00	91 - 6	V195-164-025-30	116 - 7	V201-261-014-00	123 - 109		74 - 13		
6909-906-105-10	10 - 2	K211-001-008-00	91 - 7	V200-260-602-00	109 - 4	V201-261-202-00	51 - 2		97 - 16		
6909-920-843-00	3 - 16	K211-001-011-00	124 - 7	V200-260-602-50	102 - 13						
	3 - 20	K211-002-000-00	91 - 1	V201-260-801-60	115 - 41	V201-261-203-00	38 - 3	V201-361-603-00	64 - 25		
	3 - 25	K211-002-002-00	91 - 3	V201-260-801-60	115 - 45						
	10 - 3	K211-003-002-00	91 - 2	V201-260-801-60	100 - 7						
6911-129-006-00	1 - 5	K211-004-006-00	124 - 18	V201-260-806-00	40 - 16						
6911-219-195-00	2 - 9	K211-004-007-00	124 - 4	V201-260-806-50	40 - 19						
	4 - 12	K211-005-003-10	124 - 5	V201-260-807-00	26 - 9						
6911-321-179-00	4 - 13	K211-005-004-00	124 - 8	V201-260-807-00	76 - 27						
6911-322-083-00	4 - 13	K211-005-004-00	124 - 8	V201-260-808-00	23 - 13						
6912-333-036-10	7 - 15	K211-005-005-00	124 - 9	V201-260-808-00	40 - 17						
6993-490-412-00	18 - 27	K211-005-006-00	124 - 14	V201-260-809-50	40 - 18	V201-261-204-50	39 - 5	V210-260-604-00	94 - 8		
6999-202-314-00	5 - 2	K211-005-007-00	124 - 15	V201-261-002-50	83 - 34	V201-261-205-00	38 - 7	V210-260-602-50	78 - 20		
	39 - 24	K211-005-009-00	124 - 17	V201-261-003-00	35 - 41	V201-360-801-20	20 - 18		123 - 16		
7927-601-001-00	31 - 11	K211-005-010-10	124 - 19	V201-261-003-50	31 - 8	V201-360-802-50	82 - 7		123 - 54		
7955-201-026-00	64 - 4	K211-005-012-00	124 - 22	V201-261-005-50	58 - 22	V201-360-804-50	58 - 22		123 - 86		
	83 - 33	K211-005-013-00	124 - 28	V201-261-006-00	58 - 7	V201-361-002-50	74 - 29		125 - 17		
7963-201-003-00	78 - 39	K211-005-100-10	124 - 3	V201-261-006-50	41 - 8	V201-361-002-50	74 - 29		125 - 56		
	31 - 16	K211-005-800-10	124 - 2	V201-261-008-00	41 - 11				125 - 88		
7963-611-001-00	96 - 13	K211-016-000-00	123 - 2	V201-261-008-00	123 - 37	V201-361-003-50	83 - 7		37 - 38		
	96 - 11		123 - 40	V201-261-009-00	103 - 10	V201-361-202-50	38 - 46		21 - 20		
	96 - 14		123 - 75	V201-261-009-00	103 - 18				26 - 14		
	96 - 9		124 - 1	V201-261-009-00	103 - 21				78 - 17A		
	96 - 10		125 - 2	V201-261-009-00	104 - 21				98 - 23		
	96 - 10		125 - 41								
K135-002-009-00	78 - 7		125 - 77								
	94 - 20	K211-016-001-00	124 - 16								
	95 - 20	K231-004-000-00	89 - 9								
	94 - 14	K231-004-007-00	89 - 10								
	95 - 14	K250-007-000-00	89 - 13								
	94 - 15	K250-018-000-00	94 - 33								
	95 - 15	V111-165-001-00	110 - 10								
	78 - 1	V111-166-004-00	89 - 15								
	38 - 23	V113-163-003-00	116 - 14								
	38 - 26	V120-264-000-80	117 - 9								
	38 - 28	V120-265-000-80	117 - 11								
	38 - 29	V120-265-003-00	120 - 4								
	38 - 24	V120-266-001-20	51 - 6								
	38 - 25	V120-266-001-60	29 - 5								
	38 - 27	V120-346-001-60	102 - 10								
	38 - 35		103 - 18								
	38 - 36		104 - 10								

*** NUMERICAL INDEX ***

PART CODE	REF. NO.	PART CODE	REF. NO.	PART CODE	REF. NO.	PART CODE	REF. NO.	PART CODE	REF. NO.	PART CODE	REF. NO.
V210-360-601-60	111 - 18	V211-260-801-60	121 - 23	V211-260-803-50	123 - 90	V211-360-801-60	105 - 4	V211-361-004-50	31 - 18		
	117 - 22		121 - 39		125 - 20		106 - 20	V211-361-005-00	61 - 24		
V211-160-801-60	98 - 17		123 - 25		125 - 59		107 - 4	V211-560-801-60	100 - 15		
	116 - 20		123 - 63		125 - 92		108 - 19	V211-560-802-50	34 - 21A		
	123 - 26		125 - 26		61 - 9		111 - 19		76 - 9		
	123 - 64		125 - 65		95 - 40		115 - 6		76 - 31		
	125 - 27	V211-260-802-00	31 - 25		95 - 41		115 - 36	V211-561-001-60	90 - 14		
	125 - 66		31 - 29		91 - 10		116 - 3	V211-660-801-60	20 - 16		
V211-160-802-00	69 - 6		32 - 20		121 - 6		22 - 10		21 - 17		
	123 - 7		35 - 21		64 - 12		27 - 8		100 - 11		
	123 - 45		35 - 75		39 - 20		28 - 9		100 - 13		
	123 - 80		36 - 16		75 - 5		59 - 2		101 - 22		
	125 - 8		37 - 16		113 - 17		94 - 10		101 - 24		
	125 - 47		38 - 15		113 - 22		95 - 10		105 - 3		
	125 - 82		41 - 26		32 - 17		98 - 6		107 - 3		
V211-260-801-20	37 - 36		48 - 4		62 - 13		102 - 3		111 - 17		
V211-260-801-60	24 - 13		56 - 9		66 - 13		103 - 3		112 - 3		
	25 - 9		61 - 25		96 - 4		104 - 2		112 - 4		
	26 - 15		69 - 3		31 - 4		23 - 6	V211-360-802-50	124 - 24		
	40 - 8		76 - 15		32 - 4		40 - 11	V251-261-002-80	62 - 3		
	41 - 13		80 - 21		96 - 8		49 - 2	V251-261-003-50	62 - 2		
	48 - 9		93 - 14		64 - 6		59 - 10	V251-261-205-50	122 - 3		
	52 - 6		102 - 24		92 - 7		94 - 3	V251-341-002-00	77 - 21		
	53 - 9		103 - 33		49 - 11		95 - 3		78 - 36		
	54 - 11		104 - 25		95 - 29		48 - 2	V251-341-604-00	64 - 9		
	54 - 16		111 - 13		105 - 9		49 - 3		35 - 11		
	55 - 8	V211-260-802-50	35 - 22		106 - 12		113 - 19		35 - 65		
	56 - 12		35 - 76		107 - 10		49 - 4	V252-261-002-50	31 - 3		
	57 - 13		40 - 15		108 - 11		35 - 27		32 - 3		
	60 - 14		65 - 13		22 - 3		35 - 81	V252-261-003-20	41 - 15		
	61 - 4		65 - 15		35 - 25		36 - 31	V252-261-202-50	62 - 8		
	61 - 18		81 - 9		35 - 79		37 - 31	V271-160-602-50	24 - 3		
	61 - 33		94 - 32		58 - 32		38 - 43	V273-260-601-50	102 - 22		
	73 - 12		94 - 37		69 - 4		110 - 2		103 - 31		
	73 - 45		95 - 34		76 - 21		31 - 10		104 - 23		
	91 - 22		95 - 39		78 - 16		32 - 10	V300-260-005-00	29 - 14		
	102 - 30		109 - 39		98 - 3		40 - 5		116 - 16		
	104 - 31		121 - 5		98 - 12		41 - 5	V300-260-006-00	102 - 14		
	105 - 10	V211-260-803-00	61 - 10		98 - 15		61 - 23		103 - 22		
	106 - 13		113 - 16		100 - 4		110 - 15		104 - 14		
	107 - 11		113 - 21		101 - 14		40 - 4	V301-200-006-00	27 - 10		
	108 - 12	V211-260-803-50	61 - 38		102 - 19		41 - 4		28 - 11		
	109 - 25		94 - 38		103 - 29		41 - 7	V301-260-004-00	115 - 13		
	109 - 27		123 - 19		103 - 39		41 - 20	V301-260-005-00	115 - 38		
	117 - 34		123 - 57		104 - 20		88 - 4		115 - 42		

PART CODE	REF. NO.	PART CODE	REF. NO.	PART CODE	REF. NO.	PART CODE	REF. NO.	PART CODE	REF. NO.
V301-260-006-00	58 - 12	V304-260-008-00	56 - 17	V304-260-010-00	74 - 21	V401-140-008-00	78 - 8	V401-160-008-00	88 - 11
	101 - 10		56 - 22		74 - 31		94 - 21		92 - 4
	103 - 23		58 - 27		88 - 5		95 - 21		94 - 24
	104 - 15		60 - 11		89 - 18	V401-160-005-00	115 - 40		95 - 24
	105 - 14		60 - 24		93 - 12		115 - 44		98 - 19
	106 - 15		60 - 28		110 - 16	V401-160-006-00	27 - 11		100 - 9
	107 - 15		67 - 13	V304-260-012-00	122 - 5		28 - 12		101 - 20
	108 - 14		69 - 7	V304-260-016-00	38 - 17		58 - 13		105 - 18
	115 - 21		69 - 17		39 - 19		89 - 16		106 - 19
	115 - 47		69 - 25		96 - 12		101 - 9		107 - 19
V301-260-008-00	123 - 8		73 - 18		96 - 16		102 - 16		108 - 18
	123 - 27		73 - 27	V304-260-020-00	38 - 20		103 - 25		109 - 9
	123 - 46		73 - 50		39 - 23		104 - 17		109 - 13
	123 - 65		75 - 15	V304-400-008-00	58 - 24		105 - 15		109 - 17
	123 - 81		76 - 29	V304-460-010-00	35 - 9		106 - 16		109 - 32
	125 - 9		76 - 41		35 - 63		107 - 16		109 - 37
	125 - 28		94 - 11		77 - 23		108 - 15		117 - 4
	125 - 48		94 - 23		78 - 38		109 - 6		123 - 9
	125 - 67		95 - 11	V304-460-012-00	83 - 10		115 - 22		123 - 28
	125 - 83		95 - 23	V305-260-010-00	35 - 42		115 - 48		123 - 47
V301-260-016-00	74 - 7		98 - 18		35 - 45		124 - 25		123 - 66
V302-260-008-00	90 - 7		100 - 8		35 - 96	V401-160-008-00	20 - 19		123 - 82
V303-260-008-00	36 - 33		101 - 19		35 - 99		23 - 15		125 - 10
	37 - 33		105 - 17		36 - 38		24 - 11		125 - 29
V303-260-012-00	36 - 9		106 - 18		37 - 42		25 - 8		125 - 49
	37 - 9		107 - 18		90 - 10		26 - 10		125 - 68
V303-260-024-00	97 - 5		108 - 17	V305-260-016-00	90 - 10		32 - 32		125 - 84
V303-460-012-00	97 - 8		109 - 8	V326-262-108-00	75 - 13		33 - 12	V401-160-010-00	29 - 20
V304-200-008-00	60 - 6		109 - 12	V327-262-110-00	84 - 17		36 - 34		31 - 6
V304-260-008-00	23 - 16		109 - 16	V327-262-112-00	82 - 16		37 - 34		32 - 6
	24 - 10		109 - 22		30 - 6		40 - 21		35 - 10
	25 - 7		109 - 31	V328-262-110-00	76 - 3		49 - 9		35 - 40
	29 - 21		109 - 36		98 - 11		50 - 4		35 - 64
	34 - 7		110 - 5	V328-262-112-00	85 - 13		50 - 13		35 - 94
	34 - 15		111 - 3		87 - 13		58 - 23		36 - 43
	36 - 27		121 - 32	V332-260-012-00	84 - 9		58 - 26		37 - 47
	37 - 27	V304-260-010-00	31 - 9		86 - 9		60 - 12		41 - 9
	52 - 10		32 - 9	V332-460-020-00	77 - 15		60 - 25		41 - 17
	52 - 17		35 - 39	V333-500-010-00	22 - 5		60 - 29		41 - 22
	53 - 14		35 - 93		23 - 3		69 - 8		58 - 8
	53 - 19		41 - 16	V334-260-012-00	74 - 27		75 - 17		58 - 17
	54 - 20		60 - 20	V341-120-008-00	3 - 19		76 - 30		62 - 17
	54 - 30		62 - 16	V350-160-006-00	127 - 4		77 - 16		64 - 8
	54 - 35		64 - 7	V360-260-005-00	116 - 17		81 - 14		65 - 8
	54 - 40		65 - 9	V360-260-008-00	116 - 21		82 - 8		66 - 15

*** NUMERICAL INDEX ***

PART CODE	REF. NO.	PART CODE	REF. NO.	PART CODE	REF. NO.	PART CODE	REF. NO.	PART CODE	REF. NO.	PART CODE	REF. NO.
V401-160-010-00	74 - 17	V401-160-012-00	97 - 18	V411-260-006-00	123 - 23	V411-260-008-00	125 - 11	V500-162-001-50	75 - 14		
	74 - 22		102 - 26		123 - 61		125 - 50		91 - 14		
	74 - 32		103 - 35		123 - 94		125 - 85		91 - 17		
	77 - 22		104 - 27		125 - 24	V411-260-010-00	30 - 5	V500-162-001-80	66 - 8		
	78 - 37		122 - 4		125 - 63		31 - 7	V500-162-002-00	30 - 20		
	79 - 38		123 - 12		125 - 96		32 - 7		34 - 12		
	82 - 10		123 - 50	V411-260-008-00	20 - 20		41 - 10		34 - 18		
	83 - 6		125 - 13		23 - 14		41 - 18		53 - 26		
	83 - 35		125 - 52		30 - 9		41 - 23		54 - 23		
	84 - 7	V401-160-014-00	74 - 18		30 - 19		58 - 18		54 - 47		
	84 - 19	V401-160-016-00	38 - 16		34 - 11		76 - 5		56 - 27		
	85 - 7		39 - 18		35 - 50		84 - 20		65 - 18		
	86 - 7		64 - 26		35 - 104		86 - 20		67 - 18		
	86 - 19		74 - 6		36 - 45		88 - 7		68 - 3		
	87 - 7		90 - 11		37 - 49		90 - 15		68 - 6		
	88 - 6		96 - 17		50 - 5		93 - 10		68 - 9		
	123 - 38	V401-160-018-00	74 - 4		50 - 14		98 - 10		68 - 14		
	123 - 102	V401-160-020-00	77 - 17		52 - 23		110 - 17		68 - 17		
	123 - 106	V401-260-005-00	116 - 15		53 - 25		123 - 31		93 - 6		
	123 - 110	V411-150-004-00	117 - 8		54 - 22		123 - 69	V500-162-002-50	56 - 8		
	125 - 39	V411-150-005-00	117 - 10		54 - 46		123 - 97		73 - 7		
	125 - 104	V411-160-008-00	67 - 16		56 - 26		125 - 32		76 - 4		
V401-160-012-00	23 - 9	V411-260-004-00	80 - 19		58 - 21		125 - 71		98 - 8		
	35 - 7	V411-260-005-00	29 - 17		65 - 17		125 - 99	V500-162-501-50	29 - 2		
	35 - 61		91 - 18		67 - 17	V411-260-012-00	23 - 10		29 - 9		
	36 - 10		115 - 39		68 - 2		36 - 11	V500-162-502-00	30 - 10		
	37 - 10		115 - 43		68 - 8		37 - 11		30 - 16		
	38 - 51		120 - 5		68 - 13		51 - 4		52 - 24		
	38 - 52	V411-260-006-00	15 - 39		69 - 19		59 - 5		69 - 20		
	38 - 53		29 - 3		69 - 27		60 - 3		69 - 28		
	39 - 7		29 - 6		73 - 36		73 - 30		73 - 37		
	51 - 3		29 - 8		75 - 12		75 - 11		84 - 18		
	51 - 11		30 - 12		75 - 16	V411-260-014-00	73 - 10		86 - 18		
	51 - 14		30 - 21		76 - 28	V411-260-016-00	90 - 12		109 - 20		
	51 - 20		34 - 17		76 - 40	V411-260-020-00	82 - 14	V500-162-502-50	30 - 7		
	74 - 11		51 - 7		93 - 5	V413-160-006-00	109 - 5		73 - 8		
	74 - 28		68 - 5		94 - 22	V500-152-501-50	35 - 51	V500-163-002-00	85 - 14		
	75 - 3		68 - 16		95 - 22		35 - 105		87 - 14		
	84 - 22		91 - 15		102 - 5		36 - 46	V500-163-002-50	82 - 17		
	85 - 15		101 - 8		109 - 10		37 - 50		96 - 15		
	85 - 17		102 - 17		109 - 14	V500-152-502-00	109 - 28	V500-163-003-50	38 - 22		
	86 - 22		103 - 26		109 - 23	V500-153-002-50	35 - 36		39 - 15		
	87 - 15		104 - 18		123 - 10		35 - 90	V500-165-003-50	39 - 25		
	87 - 17		115 - 23		123 - 48	V500-161-601-00	29 - 16	V500-165-004-00	38 - 40		
	89 - 5		115 - 49		123 - 83	V500-162-001-50	30 - 13	V511-100-805-00	66 - 20		

PART CODE	REF. NO.	PART CODE	REF. NO.	PART CODE	REF. NO.	PART CODE	REF. NO.	PART CODE	REF. NO.
V511-100-805-00	66 - 23	V600-110-600-40	33 - 5	V600-150-600-30	76 - 16	V704-140-014-00	121 - 17	V704-140-060-00	36 - 14
V520-100-801-60	66 - 24	V600-110-600-50	44 - 3	V600-150-600-40	32 - 25	V704-140-015-00	36 - 24		36 - 56
	31 - 12		121 - 9	V607-110-620-40	46 - 5		121 - 13		37 - 14
	31 - 19		4 - 11		72 - 3		8 - 24		37 - 60
	32 - 12		45 - 8		72 - 10				61 - 15
	40 - 2	V600-110-600-60	43 - 30		72 - 32				80 - 6
	40 - 14	V600-110-600-70	42 - 16	V607-110-630-40	72 - 21	V705-140-020-00	52 - 21	V705-140-020-00	80 - 10
	41 - 2		44 - 13	V607-110-630-50	33 - 2		54 - 27		80 - 14
	41 - 25	V600-110-600-80	81 - 20		45 - 9		54 - 42		80 - 14A
	62 - 4	V600-110-600-90	57 - 4	V610-115-110-50	83 - 19		73 - 25	V705-140-024-00	124 - 13
	63 - 10	V600-110-620-20	121 - 11	V653-418-241-20	76 - 37	V704-140-017-00	43 - 35	V705-140-028-00	48 - 7
	66 - 16		121 - 37	V654-420-262-40	57 - 8		76 - 17	V705-140-032-00	35 - 32
	83 - 32		121 - 42	V654-422-272-00	46 - 22	V704-140-020-00	32 - 22		35 - 86
V520-100-802-20	121 - 4	V600-110-620-30	15 - 13	V654-422-272-60	72 - 33		46 - 4	V705-140-035-00	76 - 18
	2 - 17	V600-110-620-40	42 - 4	V654-425-301-70	45 - 14		46 - 9		121 - 12
	62 - 5		42 - 17	V654-425-312-00	47 - 7		121 - 10		121 - 38
	83 - 4		43 - 4	V654-425-321-60	45 - 15	V704-140-022-00	46 - 24	V705-140-042-00	32 - 26
V530-160-804-00	34 - 3		43 - 26	V654-425-352-50	44 - 14	V704-140-025-00	33 - 3	V705-140-047-00	83 - 23
	67 - 7		46 - 8	V654-430-382-40	43 - 10		35 - 14	V705-140-052-00	35 - 13
V530-240-502-40	65 - 4A		46 - 16	V680-200-001-00	50 - 8		35 - 68		35 - 67
	48 - 18		47 - 8		50 - 17		36 - 4		83 - 13
V580-140-502-50	52 - 11		57 - 6		52 - 3		37 - 4	V705-140-072-00	63 - 17
	53 - 12		72 - 4		53 - 3		46 - 13	V705-140-080-00	64 - 23
	54 - 18		72 - 7		54 - 3		46 - 17	V710-140-004-00	15 - 23
	54 - 33		72 - 14		54 - 8		47 - 2		15 - 32
	55 - 11		72 - 34		55 - 5		47 - 9		124 - 23
	56 - 2	V600-110-620-50	33 - 6		56 - 7		67 - 9	V710-140-007-00	58 - 20
	56 - 15		42 - 3		73 - 6		72 - 31	V720-101-004-40	26 - 5
	69 - 11		42 - 15		73 - 42		81 - 4	V720-101-900-70	91 - 21
	73 - 15		44 - 7		121 - 21		83 - 30	V720-101-900-80	15 - 35
	73 - 32		57 - 16	V681-200-000-60	1 - 11	V704-140-030-00	36 - 20		79 - 40
	73 - 48		83 - 29	V681-200-000-90	91 - 4		37 - 20	V720-102-401-00	26 - 2
	121 - 18	V600-110-620-60	83 - 27	V704-140-010-00	123 - 32		42 - 6		50 - 2
	121 - 28	V600-110-620-70	72 - 19		123 - 70		42 - 11		50 - 11
	121 - 40		83 - 3		123 - 98		43 - 6		61 - 29
V580-140-601-60	46 - 20	V600-110-620-80	64 - 20		125 - 33		43 - 29		73 - 39
V580-140-602-00	124 - 21	V600-110-630-30	43 - 13		125 - 72		44 - 6		91 - 24
V580-140-602-50	76 - 10		43 - 34		125 - 100		45 - 7		121 - 18
V580-140-603-20	58 - 3	V600-110-630-40	43 - 15	V704-140-012-00	35 - 33		63 - 19	V720-102-401-20	78 - 12
	80 - 15		44 - 2		35 - 87		64 - 22	V720-102-401-40	52 - 7
V580-140-802-50	69 - 12		72 - 6		59 - 6	V704-140-035-00	43 - 19		53 - 10
V590-131-007-00	73 - 16	V600-110-630-50	57 - 17	V704-140-014-00	50 - 9		90 - 8		54 - 12
V590-131-015-00	34 - 22	V600-110-630-60	63 - 16		53 - 5	V704-140-040-00	90 - 4		54 - 14
V600-110-600-20	44 - 8		64 - 21		54 - 5	V704-140-045-00	44 - 12		55 - 9
V600-110-600-40	15 - 14	V600-150-600-20	7 - 30		55 - 2		57 - 3		56 - 13

*** NUMERICAL INDEX ***

PART CODE	REF. NO.	PART CODE	REF. NO.	PART CODE	REF. NO.	PART CODE	REF. NO.	PART CODE	REF. NO.	PART CODE	REF. NO.
V720-102-401-40	73 - 13	V720-112-401-60	124 - 11	V744-125-470-80	57 - 18	V999-200-003-00	71 - 8				
	73 - 46	V720-112-402-00	78 - 22		81 - 7		71 - 12				
	121 - 26		78 - 32	V744-140-550-80	72 - 17	W201-260-805-50	29 - 22				
V720-102-401-50	9 - 2		94 - 27	V762-150-000-00	34 - 4		60 - 5				
V720-102-401-80	61 - 7		94 - 34		34 - 25	W296-134-007-00	112 - 6				
	61 - 16		95 - 27		67 - 5		113 - 4				
	61 - 37		95 - 36		73 - 23	W296-204-007-40	101 - 6				
	76 - 24	V720-112-402-20	78 - 5		74 - 34						
V720-102-402-00	61 - 21		89 - 11	V780-100-000-20	123 - 78						
	82 - 5		94 - 18		124 - 12						
	94 - 7		95 - 18		125 - 80						
	95 - 7	V720-113-502-90	38 - 33	V780-100-000-40	32 - 11						
V720-103-502-20	61 - 22	V721-103-102-50	82 - 4	V781-100-000-20	31 - 20						
V720-103-502-40	61 - 6	V721-103-103-00	57 - 11		49 - 12						
	61 - 36	V721-103-106-50	58 - 5		89 - 8						
	61 - 2	V721-103-107-00	94 - 2		92 - 8						
V720-103-503-00	61 - 3		95 - 2		125 - 6						
V720-103-503-10	78 - 13	V721-113-105-00	78 - 4		125 - 45						
V720-105-705-20	32 - 16		94 - 17	V781-100-000-40	78 - 18						
V720-105-705-50	89 - 20		95 - 17		82 - 9						
	81 - 8	V721-113-106-00	89 - 7	V781-100-000-60	41 - 3						
V720-111-900-60	78 - 6	V723-101-501-20	65 - 6		41 - 27						
	94 - 19	V723-102-002-40	3 - 35	V781-100-000-80	40 - 3						
	95 - 19	V723-102-002-60	64 - 11		64 - 5						
	124 - 6	V723-102-003-00	48 - 8	V781-160-000-60	123 - 5						
	89 - 6	V723-102-003-80	38 - 30		123 - 43						
V720-112-401-00	75 - 10	V723-102-005-00	4 - 5		123 - 79						
V720-112-401-20	91 - 9	V723-102-005-50	11 - 21		125 - 5						
	123 - 18	V723-111-501-20	38 - 32		125 - 44						
	123 - 56	V730-103-502-90	38 - 34		125 - 81						
	123 - 89	V730-103-703-10	78 - 14	V793-108-110-30	124 - 20						
	124 - 27	V742-120-320-50	80 - 22	V881-000-061-20	71 - 7						
	125 - 19	V742-135-500-60	90 - 2		71 - 11						
	125 - 58	V744-114-280-70	78 - 3	V889-000-082-00	70 - 3						
	125 - 91		94 - 16		70 - 7						
V720-112-401-40	49 - 6		95 - 16	V920-550-801-00	126 - 5						
	49 - 10	V744-120-350-80	46 - 3	V920-551-201-40	126 - 6						
	92 - 2		46 - 18	V920-551-301-70	126 - 7						
	92 - 6		47 - 10	V920-551-902-20	126 - 8						
	94 - 31	V744-120-420-80	32 - 24	V920-552-402-70	126 - 9						
	94 - 36	V744-125-350-70	66 - 17	V936-150-015-00	126 - 3						
	95 - 33	V744-125-400-80	33 - 7	V999-200-003-00	70 - 4						
	95 - 38		42 - 2		70 - 8						
	124 - 26		43 - 2		70 - 12						
V720-112-401-60	89 - 12	V744-125-470-80	31 - 26		71 - 4						

DESCRIPTION	REF. NO.	DESCRIPTION	REF. NO.	DESCRIPTION	REF. NO.	DESCRIPTION	REF. NO.	DESCRIPTION	REF. NO.
ACTUATOR	66 - 9	ARM, PTO	73 - 21A	BAND, WIRE/250	26 - 22	BEARING, RB/6004	15 - 14		
ADAPTER, PFI/2	61 - 8	ARM, PTO COMP	53 - 11		38 - 44		33 - 4		
	61 - 35		54 - 32		120 - 9		44 - 3		
ADAPTER/45	38 - 37	ARM, ROCKER	8 - 17	BAND/22	61 - 32		121 - 9		
ADJUSTER	79 - 35	ARM, SHIFT GRAND COMP	73 - 43		61 - 41	BEARING, RB/6004SS	32 - 25		
ADJUSTER, SEAT/L ASSY	109 - 7	ARM, SHIFT/FRONT COMP	56 - 14	BATTERY ASSY	27 - 1	BEARING, RB/6005	4 - 11		
ADJUSTER, SEAT/R ASSY	109 - 11	ARM, SHIFT/MID COMP	54 - 13	BATTERY/46024R ASSY	28 - 1		45 - 8		
AHIM, ADAPTER	15 - 30	ARM, SHIFT/PTO COMP	73 - 9	BEARING	19 - 6	BEARING, RB/6006	43 - 30		
ARM	34 - 2	ARM, SHIFT/SUB COMP	52 - 8		19 - 11	BEARING, RD/6007	42 - 16		
	36 - 25	ARM, SUB	52 - 4		48 - 6		44 - 13		
	37 - 25		53 - 6	BEARING, /RB6305-6	81 - 2	BEARING, RB/6008	81 - 20		
	73 - 14		53 - 6A	BEARING, RB62052RDC3	35 - 12	BEARING, RB/6009	57 - 4		
	123 - 20		53 - 6B		35 - 17	BEARING, RB/6202	121 - 11		
	123 - 58		54 - 9		35 - 30		121 - 37		
	125 - 21	ARM, TENSION	15 - 24		35 - 71	BEARING, RB/6203	15 - 13		
	125 - 60	ARM, TENSION	35 - 28		35 - 84	BEARING, RB/6204	42 - 4		
	125 - 93		36 - 21	BEARING, CLUTCH RS	31 - 22		42 - 17		
ARM COMP	69 - 10		37 - 21		32 - 13		43 - 4		
ARM NEUTRAL	59 - 3	ARM, TRANION/UNDER	58 - 9	BEARING, CUMN ROD	7 - 23		43 - 26		
ARM, AXLE	30 - 14	ARM, TRANION/UPPER	58 - 10		7 - 28		46 - 8		
ARM, BRAKE/LH	66 - 19	ARM, UPPER COMP	59 - 8	BEARING, CONN ROD	7 - 9		46 - 16		
ARM, BRAKE/RH	66 - 22	ARMATURE	18 - 2	BEARING, CRANK SET	7 - 20		47 - 8		
ARM, CLUTCH	34 - 1	BAG, TOOL	126 - 10	BEARING, CRANK/UN SET	7 - 21		57 - 6		
ARM, CONTROL	15 - 37	BALL	1 - 4		7 - 22		72 - 4		
ARM, CREAP SHIFT COMP	121 - 24		18 - 25	BEARING, NR	72 - 12		72 - 7		
ARM, DIFF LOCK	65 - 10		76 - 20	BEARING, NR/KT202624	57 - 8		72 - 14		
ARM, DIFF-LOCK	65 - 7	BALL CAP	76 - 19	BEARING, NR/KT222720	46 - 22		72 - 34		
ARM, DRAG, L ASSY	84 - 1	BALL, STEEL	1 - 11	BEARING, NR/KT222726	72 - 33	BEARING, RB/6204NR	46 - 5		
ARM, DRAG, R ASSY	84 - 3		66 - 4	BEARING, NR/KT253017	45 - 14		72 - 3		
ARM, FLOATING	15 - 20		91 - 4	BEARING, NR/KT253120	47 - 7		72 - 10		
ARM, FRONT	56 - 10	BALL, STEEL/5/16	50 - 8	BEARING, NR/KT253216	45 - 15		72 - 32		
ARM, FRONT SHIFT COMP	55 - 6		50 - 17	BEARING, NR/KT253224E	72 - 24	BEARING, RB/6205	33 - 6		
ARM, KNUCKLE/LH SET	85 - 1		52 - 3	BEARING, NR/KT253525	44 - 14		42 - 3		
ARM, KNUCKLE/LH/E20	86 - 1		53 - 3	BEARING, NR/KT303824	43 - 10		42 - 15		
ARM, KNUCKLE/LH/E20	87 - 1		54 - 3	BEARING, NR/KTW222625	43 - 22		44 - 7		
ARM, KNUCKLE/RH SET	85 - 3		54 - 8	BEARING, RB	36 - 13		57 - 16		
ARM, KNUCKLE/RH/E20	86 - 3		55 - 5		36 - 18	BEARING, RB/6206	83 - 29		
ARM, KNUCKLE/RH/E20	87 - 3		56 - 7		36 - 23	BEARING, RB/6207	83 - 27		
ARM, LIFT	90 - 5		73 - 6		37 - 13		72 - 19		
ARM, LINK SHIFT	91 - 23		73 - 42		37 - 18		83 - 3		
ARM, LOCK	121 - 30	BAND, HOSE	121 - 21		37 - 23	BEARING, RB/6208	64 - 20		
ARM, LOWER	59 - 9		20 - 13		42 - 5	BEARING, RB/6303	43 - 13		
ARM, MAIN SHIFT	48 - 10		21 - 14		42 - 9		43 - 34		
ARM, MID	54 - 17	BAND, HOSE	11 - 13		43 - 3	BEARING, RB/6304	43 - 15		
ARM, NEUTRAL	59 - 3A	BAND, HOSE ASSY/12	13 - 14		43 - 5		44 - 2		
ARM, PITMAN	77 - 20		26 - 19		45 - 4		72 - 6		
	79 - 53	BAND, JUBLEE/18.5	78 - 34		45 - 5	BEARING, RB/6304NR	72 - 21		
ARM, POSITION	93 - 7A	BAND, WIRE/140	26 - 21		63 - 12	BEARING, RB/6305	57 - 17		
ARM, POSITION	93 - 17		36 - 40		83 - 22A	BEARING, RD/6305NR	33 - 2		
ARM, PTO	73 - 19		37 - 53	BEARING, RB/6002	44 - 8		45 - 9		
	73 - 19A		48 - 13	BEARING, RB/6002SS	7 - 30	BEARING, RB/6306	63 - 16		
	73 - 21		120 - 8	BEARING, RB/6003SS	76 - 16		64 - 21		

DESCRIPTION	REF. NO.	DESCRIPTION	REF. NO.	DESCRIPTION	REF. NO.	DESCRIPTION	REF. NO.
BEARING, TB/51105	83 - 19	BOLT(S) M10X30	32 - 4	BOLT, S/M8X16	108 - 12	BOLT, SEMS (SP)	116 - 3
BEARING/6305SH2	81 - 2A	BOLT(S) M6X30	94 - 28	BOLT, S/M8X20	102 - 24	BOLT, SEMS (S)	31 - 25
BELT/VB038X2	36 - 29	SET	95 - 28	BOLT, S/M8X25	65 - 13		31 - 29
BERT/VB044	35 - 23	BOLT(S) M8X35	94 - 38		65 - 15		32 - 20
	35 - 77	BOLT(S)7	90 - 14		94 - 32		35 - 21
	37 - 29	BOLT(SP) M8X20	22 - 10		95 - 34		35 - 75
BLOCK, CYLINDER	2 - 2		27 - 8		95 - 39		41 - 26
BLOCK, CYLINDER	2 - 1		28 - 9		121 - 5		48 - 4
BODY, OIL PUMP	6 - 2		94 - 10	BOLT, S/M8X35	61 - 38		61 - 25
BOLT	2 - 7		95 - 10		123 - 19		69 - 3
	4 - 3		98 - 6		123 - 57		76 - 15
	6 - 12		103 - 3		123 - 90		80 - 21
	7 - 16	BOLT(SP)/M6X16	20 - 17		125 - 20		103 - 33
	7 - 19		20 - 22		125 - 59		104 - 25
	8 - 27		21 - 18		125 - 92		111 - 13
	11 - 22		21 - 20	BOLT, SEMS	23 - 6		120 - 21
	11 - 26		26 - 14		40 - 11	BOLT, SEMS (S) M8X16	24 - 13
	12 - 13		78 - 17A		59 - 10		25 - 9
	15 - 7		98 - 23		75 - 5		26 - 15
	16 - 7		111 - 18		78 - 17		40 - 8
	18 - 26		117 - 22		95 - 40		41 - 13
	19 - 10	BOLT, CONN ROD	7 - 6		95 - 41		48 - 9
	19 - 13	BOLT, CONNECTOR/38	61 - 17		99 - 3		52 - 6
	19 - 22	BOLT, CONNECTOR/M16	61 - 20		100 - 15		53 - 9
	19 - 23	BOLT, CONTROL	124 - 5		105 - 9		54 - 11
	19 - 24	BOLT, JOINT	10 - 2		106 - 12		61 - 4
	19 - 25	BOLT, P/M8X20	69 - 6		107 - 10		61 - 33
	19 - 27		123 - 7		110 - 2		91 - 22
	48 - 16		123 - 45		113 - 16		104 - 31
	52 - 9		123 - 80		113 - 17		105 - 10
	52 - 16		125 - 8		113 - 21		106 - 13
	53 - 13		125 - 47		113 - 22		107 - 11
	53 - 18		125 - 82	BOLT, SEMS (S)	78 - 21		109 - 25
	54 - 19		64 - 12	BOLT, SEMS (SP)	117 - 6		109 - 27
	54 - 29	BOLT, S/M10X16	62 - 13		22 - 3		117 - 34
	54 - 34	BOLT, S/M10X25	66 - 13		35 - 25		121 - 39
	54 - 39		96 - 4		35 - 25		121 - 39
	56 - 16	BOLT, S/M10X30	96 - 8		35 - 79	BOLT, SEMS (S)/M8X12	37 - 36
	56 - 21	BOLT, S/M10X35	92 - 7		58 - 32	BOLT, SEMS/8X16	61 - 18
	73 - 17	BOLT, S/M6X15	102 - 22		69 - 4	BOLT, SEMS/M10X20	2 - 35
	73 - 26		103 - 31		76 - 21		38 - 43
	73 - 49		104 - 23		78 - 16		39 - 20
	74 - 3	BOLT, S/M6X25	78 - 20		98 - 3	BOLT, SEMS/M6X12	2 - 28
	74 - 5		78 - 31		98 - 12		5 - 4
	77 - 12	BOLT, S/M6X40	94 - 8		98 - 15		8 - 5
	77 - 13		95 - 8		100 - 4		15 - 16
	79 - 23		123 - 16		101 - 14		16 - 16
	79 - 36		123 - 54		103 - 39		36 - 55
	79 - 37		123 - 86		105 - 4		37 - 38
	98 - 9		125 - 17		106 - 20		37 - 59
	95 - 29		125 - 56		107 - 4		119 - 2
BOLT (S)/M10X45	32 - 17		125 - 88		111 - 19	BOLT, SEMS/M6X16	3 - 36
BOLT(S) M10X25	31 - 4	BOLT, S/M8X16	102 - 30		115 - 6	BOLT, SEMS/M8X12	108 - 11
					115 - 36	BOLT, SEMS/M8X16	9 - 4

DESCRIPTION	REF. NO.	DESCRIPTION	REF. NO.	DESCRIPTION	REF. NO.	DESCRIPTION	REF. NO.
BOLT, SEMS/M8X16	54 - 16	BOLT, STUD C-LOCK	62 - 7	BOLT/M10X25	87 - 6	BOLT/M12X30	122 - 6
	55 - 8	BOLT, STUD/M10X25	31 - 3	BOLT/M10X28	35 - 11		123 - 11
	56 - 12		32 - 3		35 - 65		123 - 49
	57 - 13	BOLT, STUD/M10X28	62 - 3	BOLT/M10X30	35 - 41		125 - 12
	60 - 14	BOLT, STUD/M12X55	122 - 3		35 - 44		125 - 51
	73 - 12	BOLT, STUD/M16X40	64 - 9		35 - 95	BOLT/M12X35	36 - 8
	73 - 45	BOLT, WASHER HEAD	17 - 11		35 - 98		37 - 8
	121 - 23	BOLT, WS	12 - 17		36 - 37		38 - 47
	123 - 25	BOLT, WSP	16 - 4		37 - 41		39 - 6
	123 - 63	BOLT/M08X46	75 - 9		40 - 5	BOLT/M12X40	31 - 30
	125 - 26	BOLT/M8X20	112 - 4		41 - 5		32 - 33
	125 - 65	BOLT/L=55	3 - 10		61 - 23		36 - 7
BOLT, SEMS/M8X20	3 - 13	BOLT/M 6X20	109 - 4		74 - 30		37 - 7
	11 - 9	BOLT/M 6X25	104 - 13		110 - 15		38 - 6
	11 - 17	BOLT/M 6X30	109 - 3	BOLT/M10X33	82 - 6		51 - 10
	12 - 12	BOLT/M 8X12	110 - 7	BOLT/M10X35	31 - 8		83 - 9
	16 - 2	BOLT/M 8X16	100 - 7		32 - 8		97 - 17
	36 - 16		101 - 18		40 - 4	BOLT/M12X45	39 - 5
	37 - 16		117 - 2		41 - 4		89 - 4
	38 - 15	BOLT/M 8X25	34 - 6		41 - 7	BOLT/M12X50	38 - 7
	56 - 9		82 - 7		41 - 20	BOLT/M12X55	89 - 3
BOLT, SEMS/M8X25	93 - 14		88 - 10		64 - 6	BOLT/M12X60	89 - 2
	49 - 2	BOLT/M 8X45	76 - 26		83 - 7	BOLT/M14X1.5X30	74 - 16
	94 - 3	BOLT/M 8X55	40 - 20		88 - 4	BOLT/M16X30	64 - 25
	95 - 3	BOLT/M 8X60	40 - 16		31 - 18	BOLT/M4X5	91 - 2
BOLT, SEMS/M8X25 7T	34 - 21A	BOLT/M 8X65	40 - 19	BOLT/M10X45	61 - 24	BOLT/M5X30	120 - 4
	76 - 9		49 - 7	BOLT/M10X50	58 - 6	BOLT/M6	3 - 31
	76 - 31	BOLT/M 8X70	26 - 9	BOLT/M10X60	58 - 7		3 - 32
BOLT, SEMS/M8X30	61 - 10		76 - 27	BOLT/M10X65	41 - 8	BOLT/M6X10	15 - 18
BOLT, SEMS/M8X40	61 - 9	BOLT/M 8X80	23 - 13	BOLT/M10X80	41 - 11	BOLT/M6X12	101 - 7
BOLT, SEMS/M8X45	3 - 14		40 - 17		123 - 37	BOLT/M6X15	124 - 24
	11 - 3	BOLT/M 8X95	40 - 18		125 - 38	BOLT/M6X16	102 - 10
BOLT, SET/M06X240	27 - 9	BOLT/M06X32	27 - 5	BOLT/M10X90	41 - 21		103 - 18
	28 - 10		28 - 6		123 - 105		104 - 10
BOLT, SLOTTED	12 - 7	BOLT/M10X1.25X18	2 - 32	BOLT/M12X20	51 - 2	BOLT/M6X20	6 - 11
BOLT, SM/M10X1.25X105	31 - 5		14 - 2	BOLT/M12X25	51 - 19	BOLT/M6X25	24 - 3
	32 - 5	BOLT/M10X1.25X82	1 - 13		23 - 8		102 - 13
BOLT, SP	108 - 19	BOLT/M10X110	66 - 14		35 - 6	BOLT/M8X12	103 - 21
BOLT, SP/M10X16	35 - 27	BOLT/M10X130	123 - 101		35 - 60	BOLT/M8X16	20 - 18
	35 - 81		125 - 103		38 - 46		20 - 16
	36 - 31	BOLT/M10X140	123 - 109		84 - 21		21 - 17
	37 - 31	BOLT/M10X20	77 - 21		85 - 16		98 - 17
BOLT, SP/M8X1.25X25	22 - 8		78 - 36		86 - 21		100 - 11
	23 - 6A	BOLT/M10X25	29 - 19		87 - 16		100 - 13
BOLT, SP/M8X16	102 - 19		31 - 10	BOLT/M12X30	38 - 3		101 - 22
	103 - 29		32 - 10		51 - 9		101 - 24
	104 - 20		74 - 15		51 - 13		105 - 3
BOLT, SP/M8X20	59 - 2		74 - 29		75 - 2		107 - 3
	102 - 3		83 - 5		97 - 16		111 - 17
	104 - 2		83 - 34		102 - 25		112 - 3
BOLT, SP/M8X40	49 - 3		84 - 6		103 - 34		115 - 41
BOLT, SP/M8X45	49 - 4		85 - 6		104 - 26		115 - 45
BOLT, STUD	79 - 50		86 - 6				116 - 20

DESCRIPTION	REF. NO.	DESCRIPTION	REF. NO.	DESCRIPTION	REF. NO.	DESCRIPTION	REF. NO.	DESCRIPTION	REF. NO.
COVER, REAR/LH COMP	105 - 11	ELEMENT, PAPER	24 - 2A	FUSE/32V03A	120 - 25	GEAR, OIL PUMP	6 - 7		
COVER, REAR/RR COMP	106 - 21	END, TIE ROD L ASSY	85 - 8	FUSE/32V10A	120 - 19	GEAR, RING	7 - 15		
COVER, REAR/RR COMP	107 - 12	END, TIE ROD, L ASSY	87 - 8	FUSE/32V20A	120 - 26	GEAR, WHEEL/62	64 - 17		
COVER, RUBBER	105 - 12	END, TIE ROD, R ASSY	84 - 11	GASKET	1 - 21	GEAR/07-42T	SET		
COVER, SEALED COMP	106 - 22	END, TIE ROD, R ASSY	86 - 11		5 - 3	GEAR/14T	76 - 42		
COVER, SEALED COMP	107 - 13	FAN, COOLING	84 - 14		22 - 4	GEAR/17T	44 - 1		
COVER, SEALED COMP	109 - 35	FENDER, B	85 - 9	GASKET, COVER	23 - 2	GEAR/18T	72 - 9		
COVER, SEALED COMP	51 - 1	FENDER, BE20	86 - 14		116 - 8	GEAR/20T	63 - 6		
COVER, SEALED COMP	51 - 18	FENDER, EGO	87 - 9		2 - 27	GEAR/21T	121 - 14		
COVER, SIDE ASSY	77 - 5	FENDER, E20	11 - 23		4 - 17	GEAR/22T	33 - 1		
COVER, SIDE/LH	79 - 26	FILTER ASSY	103 - 1	GASKET, CREEP	40 - 7	GEAR/22T	43 - 20		
COVER, SIDE/LH	105 - 6	FILTER, SUCTION ASSY	103 - 2	GASKET, CREEP	121 - 3		42 - 12		
COVER, SIDE/LH COMP	106 - 10	FLASHER ASSY	103 - 1	GASKET, CYLINDER HEAD	40 - 7A		46 - 12		
COVER, SIDE/RR	107 - 7	FLOOR, CENTER	103 - 2	GASKET, DELIVERY VALVE	17 - 7	GEAR/23-15T	47 - 1		
COVER, SIDE/RR	108 - 8	FLOOR, WEIGHT	104 - 1	GASKET, GEAR CASE	3 - 27	GEAR/25-17T	72 - 29		
COVER, SIDE/RR	109 - 3	FOOD COMP	104 - 1	GASKET, HOUSING	11 - 16	GEAR/25T	47 - 5		
COVER, SIDE/RR	105 - 7	FORK, SHIFT/FRONT	61 - 26	GASKET, INLET MANIFOL	12 - 11		57 - 2		
COVER, SIDE/RR	107 - 8A	FORK, SHIFT/GRAND	78 - 11A	GASKET, LENS	116 - 13		57 - 7		
COVER, SOLENOID	108 - 9	FORK, SHIFT/HID	95 - 1	GASKET, METL/P TO	62 - 15	GEAR/26-19T	45 - 11		
COVER, TAIL	100 - 2	FORK, SHIFT/PTO	95 - 1A	GASKET, NOZZLE	13 - 7	GEAR/27T	42 - 1		
COVER, UPPER	101 - 2	FRAME	61 - 1	GASKET, PLATE	4 - 2		42 - 10		
CRANK, LIFT	105 - 7	FRAME, B	78 - 11	GASKET, SOLENOID	16 - 15	GEAR/28T	43 - 14		
CRIP (33)	20 - 11	FRAME, B/HST	117 - 21	GASKET, SPACER	11 - 7		43 - 28		
CRIP/10X115	21 - 12	FRAME, HST	111 - 6	GASKET, WATER PUMP	11 - 2		46 - 21		
CUP	30 - 2	FRAME, HST	15 - 17	GAUGE, FUEL ASSY	110 - 8	GEAR/29T	43 - 1		
CUTTER, VALVE	26 - 3	FRAME/HST	56 - 1	GAUGE, LEVEL	2 - 30		43 - 8		
CYLINDER	8 - 13	FRANGE	73 - 40	GAUGE, LEVEL/POWER ST	78 - 15		43 - 9		
CYLINDER	38 - 23	FRANGE	54 - 4	GAUGE, OIL	64 - 13A	GEAR/31-21T	44 - 9		
CYLINDER	39 - 11	FRANGE	73 - 3	GAUGE, OIL	64 - 14	GEAR/32T	57 - 5		
DIODE/73.0A	118 - 6	FRANGE	73 - 4A	GAUZE, WIRE	20 - 3		57 - 14		
DISC, WHEEL	71 - 1	FRANGE	52 - 1A	GEAR, BEVEL	21 - 3	GEAR/33-24T	42 - 13		
DISK, WHEEL COMP	70 - 9	FRANGE	53 - 1	GEAR, BEVEL (15)	81 - 1		43 - 21		
DOWEL	2 - 22	FRANGE	53 - 1A	GEAR, BEVEL (16)	83 - 2	GEAR/33T	33 - 4		
DRIVE, TACHOMETER ASSY	3 - 34	FRANGE	54 - 1	GEAR, BEVEL/14	83 - 11		43 - 32		
DUMPER, OIL	58 - 25	FRANGE	19 - 14	GEAR, BEVEL/16	76 - 33	GEAR/35-24-18T	45 - 10		
E-RING	18 - 5	FRANGE	19 - 17	GEAR, BEVEL/17	73 - 34	GEAR/35T	46 - 15		
ELEMENT	26 - 6	FRANGE	19 - 14	GEAR, BEVEL/36	83 - 21		47 - 4		
ELEMENT	17 - 10	FRANGE	74 - 1	GEAR, CAMSHAFT	83 - 28	GEAR/36T	45 - 13		
ELEMENT, PAPER	24 - 2	FRANGE	74 - 37	GEAR, COUNTER/33T	46 - 2	GEAR/37-45T	72 - 20		
		FRANGE	74 - 38	GEAR, CRANK SHAFT	7 - 12	GEAR/37T	44 - 4		
		FRANGE	74 - 2	GEAR, CREEP COUNTER	121 - 7	GEAR/38T	44 - 10		
		FRANGE	36 - 15	GEAR, CREEP COUNTER	121 - 8	GEAR/39T	45 - 12		
		FRANGE	37 - 15	GEAR, CREEP/34T	121 - 15	GEAR/40-18-19T	42 - 14		
		FRANGE	120 - 17	GEAR, DIFF SIDE/15T	81 - 18	GEAR/44-36T	72 - 23		
		FRANGE	120 - 28	GEAR, FRONT CHANGE/23	46 - 1	GEAR/44T	72 - 22		
		FRANGE	118 - 10	GEAR, HYD.	4 - 9	GEAR/7-42T	SET		
		FRANGE	120 - 20	GEAR, IDLE	8 - 6	GENERATOR	ASSY		
		FRANGE	118 - 7	GEAR, INJ PUMP	8 - 7	GLASS, STEP	19 - 1		
		FRANGE	118 - 7		15 - 11		111 - 14		

DESCRIPTION	REF. NO.	DESCRIPTION	REF. NO.	DESCRIPTION	REF. NO.	DESCRIPTION	REF. NO.
GRILLE ASSY	99 - 1	HANGER	14 - 1	HOSE, OIL	78 - 29	INSULATOR	23 - 4
GRIP	123 - 33	HARNESSES, FUSE	120 - 15	HOSE, OVER FLOW	78 - 30	INSULATOR, COVER A	106 - 4
	123 - 71	HARNESSES, LAMP/FRONT	115 - 9		20 - 2	INSULATOR, COVER B	106 - 5
	123 - 99	HARNESSES, LAMP/REAR	115 - 16		21 - 2	INSULATOR, COVER C	106 - 6
	125 - 34		115 - 26	HOSE, RADIATOR/INLET	20 - 7		108 - 5
	125 - 73	HARNESSES, NO. 1/EGOASSY	119 - 1	HOSE, RADIATOR/OUTLET	21 - 7	INSULATOR, COVER D	106 - 7
	125 - 101	HARNESSES, NO. 2/EGOASSY	119 - 3		20 - 8		108 - 4
GRIP, A	60 - 30	HARNESSES, NUMBER PLATE	115 - 33	HOSE, RUBBER	21 - 8	INSULATOR, COVER E	108 - 6
GRIP, B	93 - 15	HARNESSES, OIL PRESSURE	118 - 16		11 - 22	INSULATOR, COVER F	106 - 8
GROMMET	74 - 35	HARNESSES, SOCKET	119 - 6		11 - 12	INSULATOR, COVER/F	108 - 7
	112 - 15	HARNESSES, WIRE/NO. 8	120 - 3		13 - 9	INSULATOR, COVER/FRON	107 - 6
	113 - 7		118 - 12		13 - 10		108 - 3
GROMMET 14X28X2	112 - 9		119 - 4		13 - 12	INSULATOR, FENDER A	103 - 7
GROMMET, HARNESSES	118 - 3	HARNESSES, WIRE/NO. 9	118 - 13	HOSE, SUCTION	94 - 4	INSULATOR, FENDER B	103 - 8
GROMMET, WATER CABLE	112 - 8		119 - 5		95 - 4	INSULATOR, FENDER C	103 - 9
	113 - 9	HARNESSES/NO. 1	118 - 2	HOSE/10X15X27	58 - 14	INSULATOR, FENDER D	103 - 10
GROMMET/14X28X2	113 - 10	HARNESSES/NO. 1 ASSY	118 - 1	HOSE/140	94 - 12		103 - 11
GROMMET/9X13X2	102 - 12	HARNESSES/NO. 2 ASSY	118 - 11		95 - 12	INSULATOR, FRAME/A	74 - 39
	103 - 20	HEAD	124 - 14	HOSE/2150	26 - 16		74 - 40
	104 - 12	HEAD, CYLINDER	1 - 2	HOSE/450	20 - 12	INSULATOR, PANEL/A	113 - 11
GUIDE, CHANGE	48 - 3		89 - 1		21 - 13	INSULATOR, PANEL/B	113 - 12
GUIDE, CHANGE/LH COMP	102 - 6	HEAD, CYLINDER ASSY	1 - 1	HOSE/500	26 - 18	INSULATOR, PANEL/C	113 - 13
	102 - 32	HINGE, FOOD COMP	98 - 7	HOSE/900	26 - 17	INSULATOR, SEAL/FOOD	98 - 22
	103 - 12	MISE, OIL ASSY	78 - 23	HOUSING	17 - 9	INSULATOR, STEP FOOD	111 - 16
	103 - 13	HITCH, TRAILER	122 - 1	HOUSING, AXKLE, L	82 - 1	INSULATOR, TANK	102 - 27
	104 - 4	HOLDER	19 - 16	HOUSING, AXLE REAR/LH	64 - 1		103 - 36
	104 - 5	HOLDER, BRUSH	19 - 18	HOUSING, AXLE REAR/RH	64 - 2		104 - 28
GUIDE, CHANGE/RH COMP	102 - 7	HOLDER, DELIVERYVALVE	17 - 5	HOUSING, AXLE/R ASSY	82 - 2	INSULATOR/11X25X02	58 - 15
	103 - 33	HOLDER, ENGINE	75 - 4	HOUSING, BULB ASSY	79 - 16	INSULATOR/75	112 - 10
	103 - 14	HOLDER, LAMP COMP	99 - 2	HOUSING, CLUTCH SET	31 - 1		113 - 6
	103 - 15	HOLDER, LEVER	93 - 8		32 - 1	JOINT	36 - 2
	104 - 6		123 - 24	HOUSING, THERMOSTAT	11 - 14		37 - 2
	104 - 7		123 - 62	HST	58 - 1	JOINT ASSY	80 - 7
GUIDE, CHECK	91 - 3		125 - 25	HUB (403) COMP	69 - 5	JOINT, B ASSY	80 - 3
GUIDE, LEVEL GAUGE	2 - 31		125 - 64	INSULATOR	20 - 15		80 - 11
GUIDE, MAIN	102 - 8	HOLDER, LEVER/HB COMP	60 - 32		21 - 16		80 - 11A
	103 - 16	HOLDER, LEVER/HSTCOMP	60 - 13		58 - 11	JOINT, BALL	38 - 31
	104 - 8	HOLDER, LEVLER B COMP	93 - 21		74 - 36	JOINT, CROSS	80 - 5
	31 - 24	HOLDER, LOWER LINK	96 - 3		75 - 8		80 - 9
GUIDE, SLEEVE	32 - 15	HOLDER, NOZZLE	13 - 3		78 - 35		80 - 13
	124 - 15		13 - 6		98 - 4		80 - 13A
GUIDE, SPRING	1 - 8	HOLDER, PINION SHAFT	63 - 8		98 - 20	JOINT, UNIVERSAL ASSY	32 - 27
GUIDE, VALVE	1 - 9	HOLDER, SHAFT ASSY	76 - 13		100 - 5A		33 - 8
GUM, CUSHION	101 - 12	HOLDER, FOOD COMP	98 - 14		101 - 15		33 - 13
	112 - 13	HOOK	96 - 7		102 - 28		35 - 3
	112 - 14	HORN	117 - 1		103 - 37		35 - 57
	113 - 8	HOSE	20 - 6		104 - 29		36 - 3
	113 - 23	HOSE, DELIVERY COMP	21 - 6		109 - 21		37 - 3
GUM, FAN COVER	100 - 5		38 - 41		110 - 19	JOINT, UNIVERSAL, F	32 - 28
	101 - 16		38 - 42		112 - 5	JOINT, UNIVERSAL, R	32 - 30
GUM, MOUNT	74 - 23		39 - 29		113 - 3	JOINT, UNIVERSAL/F	33 - 10
GUM, SEAL STEP	111 - 15		94 - 29		120 - 7		33 - 15
GUM, CUSHION/8X23X3	99 - 8	INSULATOR	95 - 31	INSULATOR	22 - 6	JOINT/R	33 - 9

DESCRIPTION	REF. NO.	DESCRIPTION	REF. NO.	DESCRIPTION	REF. NO.	DESCRIPTION	REF. NO.	DESCRIPTION	REF. NO.
BOLT/M8X16	123 - 26	BRACKET, FRONT COMP	102 - 29	BULB/12V10W	115 - 18	CAP	21 - 4		
	123 - 64	BRACKET, FRONT/LH COMI	104 - 30	BUMPER	115 - 28	CAP ASSY	117 - 12		
	125 - 27	BRACKET, FRONT/LHCOMP	74 - 13	BUSH	75 - 1	CAP, BATTERY	110 - 11		
BOLT/M8X20	125 - 66	BRACKET, FRONT/RH COMI	39 - 8		19 - 17	CAP, BEARING/F	27 - 2		
	34 - 21	BRACKET, FRONT/RHCOMP	74 - 14		38 - 36	CAP, BEARING/I	2 - 3		
	121 - 31	BRACKET, FRONT/RHCOMP	39 - 9	BUSH /65X70X17	76 - 14	CAP, BEARING/R	2 - 5		
BOLT/M8X25	36 - 26	BRACKET, HOOD/LH COMP	113 - 14		84 - 2	CAP, BEARING/T	2 - 4		
	37 - 26		113 - 15		84 - 4	CAP, BLANK	2 - 6		
	50 - 3	BRACKET, HOOD/RH COMP	113 - 20		85 - 2	CAP, BLANK	41 - 14		
	50 - 12	BRACKET, HOOD/SENTER	113 - 18		85 - 4	CAP, BLANK/30	3 - 37		
	63 - 11	BRACKET, LINK SET	58 - 29		86 - 2	CAP, BLANK/H12	62 - 6		
	81 - 13	BRACKET, LINK COMP	97 - 15		86 - 4		62 - 18		
	90 - 6	BRACKET, LINK FRONT	38 - 2		87 - 2		62 - 19		
BOLT/M8X28 11T	78 - 7	BRACKET, LINK/LH COMP	38 - 4		87 - 4		74 - 8		
	94 - 20	BRACKET, LINK/LH COMP	38 - 5	BUSH 45X50X27	83 - 16	CAP, CYLINDER/14	3 - 4		
	95 - 20	BRACKET, PARKING	69 - 2		83 - 18	CAP, FUSE BOX	118 - 9		
BOLT/M8X30	3 - 38	BRACKET, PARKING ASSY	69 - 1	BUSH, CONN ROD	7 - 8	CAP, OIL FILLER	1 - 18		
	32 - 31	BRACKET, PTO	35 - 5	BUSH, IDLE GEAR	8 - 8	CAP, OIL/23	31 - 16		
	33 - 11		35 - 59	BUSH/10X12X10	123 - 30	CAP, PTO SHAFT	37 - 37		
	48 - 2	BRACKET, PTO/B COMP	36 - 6		123 - 68		51 - 5		
BOLT/M8X40	113 - 19	BRACKET, PTO/C COMP	37 - 6		123 - 96	CAP, RELIEF VALVE	3 - 30		
BOLT/M8X45	8 - 28	BRACKET, RLH COMP	74 - 19		125 - 31	CAP, RUBBER	102 - 31		
BOLT/M8X45/7T	58 - 22	BRACKET, ROCKER SHAFT	8 - 22		125 - 70		103 - 5		
BOLT/M8X50	91 - 10	BRACKET, RRH COMP	74 - 20	BUSH/12X14X12	125 - 98	CAP, RUBBER (80)	112 - 17		
	121 - 6	BRACKET, SEAT	109 - 26	BUSH/16X24X16	59 - 4	CAP, RUBBER (9)	103 - 4		
BOLT/M8X65	92 - 3		109 - 26A	BUSH/19X22X20	58 - 30	CAP, RUBBER/9	102 - 4A		
BOLT/M8X75	3 - 15	BRACKET, SEAT COMP	109 - 15		31 - 2		104 - 3		
	11 - 18	BRACKET, SIDE/LH	39 - 2	BUSH/20X30X26	32 - 2	CAP, SEALING	1 - 5		
BOLT/M8X85	3 - 9	BRACKET, SIDE/RH	39 - 3	BUSH/20X38X26	82 - 3		2 - 8		
BOLT/M8X85/5	29 - 22	BRACKET, SIDE/RH COMP	102 - 23	BUSH/25X28X25	80 - 18		2 - 9		
	60 - 5	BRACKET, TANK	103 - 32	BUSH/35X39X30	38 - 13	CAP, SHAFT(A) COMP	35 - 19		
	35 - 22		104 - 24	BUSH/40X43X30	88 - 3		35 - 73		
	40 - 15	BRACKET/MID COMP	54 - 26	BUSH/40X48X23	88 - 2	CAP, SHAFT(B) COMP	35 - 20		
	81 - 9	BRAKE, DISC ASSY	66 - 1	BUSH/50	64 - 24		35 - 74		
	94 - 37	BRACKET, LAMP/NO-PLAT	115 - 35	BUSH/M16X18X25	109 - 33	CAP, STEERING	76 - 2		
BOLT/S M10X40	109 - 39	BRUSH (+)	19 - 19	CABLE	52 - 14	CAP, TIRE VALVE	70 - 4		
BOOT	49 - 11	BRUSH (-)	18 - 10	CABLE, AXLE	30 - 8		70 - 8		
	117 - 20	BRUSH, HOLDER ASSY	18 - 13	CABLE, BATTERY	29 - 7		71 - 4		
	117 - 25	BUCKLE, TURN	96 - 11	CABLE, EARTH	30 - 18		71 - 8		
BOOT, CHANGE	48 - 12	BUCKLE, TURN/M24 COMP	97 - 4		27 - 4		71 - 12		
BOX, FUSE	118 - 8		97 - 11		28 - 5		71 - 12		
BOX, FUSE SET	120 - 14		70 - 11		27 - 7	CARTRIDGE, OIL FILTER	61 - 27		
BRACKET	51 - 12		71 - 3		28 - 8	CARTRIDGE, OIL FILTER	9 - 5		
BRACKET	98 - 5	BULB, LAMP/12V21W	116 - 5	CABLE, METER	114 - 7	CASE, BEVEL L	76 - 22		
BRACKET, ROCKER SHAFT	8 - 21	BULB, LAMP/12V5W	116 - 6	CABLE, STOP ASSY	29 - 11	CASE, BEVEL R	76 - 23		
BRACKET, ADJUST COMP	58 - 31B	BULB/12V 23/8W	116 - 12	CAM, BRAKE/LH SET	15 - 10	CASE, CLUTCH COMP	35 - 43		
BRACKET, ADJUST/NCOMP	58 - 31	BULB/12V 45/45W	116 - 2	CAM, BRAKE/RH SET	66 - 18		35 - 97		
	58 - 31A	BULB/12V.21W	115 - 10	CAM, CHANGE/FRONT SET	66 - 21		36 - 39		
BRACKET, AIR CLEANER	24 - 12		115 - 17	CAM, DIFF-LOCK	43 - 33		37 - 43		
	24 - 12A		115 - 27	CAM, FRONT CHENGE	65 - 3	CASE, CYLINDER SET	88 - 1		
BRACKET, DAMPER COMP	58 - 28	BULB/12V.5W	115 - 11	CANNECTOR, A	46 - 11	CASE, DIFF	63 - 1		
	58 - 28A		115 - 34	CAP	39 - 27	CASE, FINAL, B, R ASSY	83 - 17		
			115 - 34		20 - 4	CASE, FINAL(A)	83 - 1		

DESCRIPTION	REF. NO.	DESCRIPTION	REF. NO.	DESCRIPTION	REF. NO.	DESCRIPTION	REF. NO.
CASE, FINAL, B, L ASSY	83 - 15	CLIP	13 - 11	COLLAR/21X27X10	38 - 45	COVER, A	125 - 57
CASE, FRONT DIFF	81 - 10	CLIP	12 - 5	COLLAR/21X27X25	46 - 6		125 - 89
CASE, FUSE ASSY	120 - 13	CLIP(B)	118 - 15	COLLAR/22X34X2	46 - 23	COVER, B	18 - 20
CASE, FUSE/4 SET	120 - 22		119 - 8	COLLAR/23X34X2	124 - 17		123 - 88
CASE, FUSE/4 ASSY	120 - 23	CLIP, B	102 - 4	COLLAR/25X28X10	43 - 20		125 - 90
CASE, GEAR	3 - 2	CLIP, HOSE	13 - 16	COLLAR/25X38X2	45 - 16	COVER, BATTERY COMP	27 - 3
CASE, GEAR ASSY	3 - 1	CLIP, PINION STOPPER	18 - 7		45 - 17		28 - 4
	18 - 17	CLIP/19X3	123 - 14		47 - 6	COVER, BRAKE/LH	66 - 10
CASE, GEAR ASSY	79 - 2		123 - 15		72 - 25	COVER, BRAKE/RH	66 - 11
CASE, JOINT ASSY	80 - 17A		123 - 52	COLLAR/26X38X36	72 - 13	COVER, C	18 - 21
CASE, JOINT COMP	80 - 17		123 - 53	COLLAR/30X40X3	63 - 18	COVER, CENTER	112 - 16
CASE, MID/HST	41 - 19		123 - 84	COLLAR/30X40X5	42 - 7	COVER, COLUMN, L	99 - 4
CASE, PTO/B COMP	36 - 30		123 - 85		43 - 7	COVER, COLUMN, R	99 - 5
CASE, PTO/C COMP	37 - 30		125 - 15	COLLAR/30X43X18	43 - 31	COVER, CYL. HEAD ASSY	1 - 15
CASE, SPACER HST	41 - 6		125 - 16	COLLAR/30X50X03	43 - 11	COVER, CYLINDER HEAD	1 - 16
CASE, SPACER/HST	41 - 6A		125 - 54	COLLAR/31X38X11	39 - 12	COVER, D	18 - 22
CASE, TRANSMISSION	41 - 1		125 - 55	COLLAR/31X38X229	39 - 10	COVER, DUST	84 - 12
	41 - 1A		125 - 86	COLLAR/36X50X02	44 - 11		84 - 15
	62 - 1		125 - 87	CONNECTOR	39 - 26		86 - 12
CASE, TRANSMISSION F	40 - 1	CLIP/56	24 - 14	CONNECTOR, B	78 - 27	COVER, FRONT COMP	86 - 15
CAVER, SEALED COMP	36 - 32		25 - 5		38 - 48	COVER, FRONT ASSY COMP	105 - 1
CENTER, FLOOR	111 - 5	CLUTCH	31 - 28		38 - 50	COVER, FRONT B COMP	79 - 11
CHAIN, CHECK/A	96 - 9		32 - 19	CONNECTOR, FUEL COMP	13 - 8	COVER, FRONT/1ST COMP	106 - 1
CHAIN, CHECK/B COMP	96 - 10	CLUTCH, CAM	72 - 30	CONNECTOR, GLOW PLUG	16 - 12	COVER, FRONT/BE20COMP	107 - 1
CLAMP	23 - 12	CLUTCH, DIFF LOCK	63 - 15	CONNECTOR, HOSE/ELBOW	39 - 28		108 - 2
CLAMP, HARNESS	26 - 20	CLUTCH, DISK/184 COMP	31 - 27	CONNECTOR, LINK	66 - 6		108 - 1
	31 - 15		32 - 18	CONNECTOR, OIL FILTER	2 - 25	COVER, FRONT/E20 COMP	105 - 2
	31 - 21	COIL, FIELD	18 - 8	COUPLING	58 - 2		107 - 2
	40 - 9	COLLAR	19 - 4		72 - 2	COVER, FRONT/LH COMP	36 - 51
	64 - 15		79 - 42		72 - 8		37 - 55
	88 - 8		79 - 43	COUPLING/16X24X56	76 - 39	COVER, FRONT/RH COMP	36 - 52
	110 - 18		79 - 44	COUPLING/18X45X72	57 - 1		37 - 56
	116 - 10		124 - 18	COVER	4 - 16	COVER, FUSE SET	120 - 16
	120 - 6	COLLAR(25X32X22)	81 - 3		19 - 15	COVER, FUSE/4	120 - 24
	120 - 10	COLLAR, PINION THRUST	63 - 5		36 - 54	COVER, GEAR CASE	4 - 12
	120 - 12		81 - 17		37 - 58	COVER, HARNESS	118 - 14
CLAMP, HOSE (22)	78 - 26	COLLAR, TENSION	35 - 31		40 - 6		119 - 7
	78 - 33		35 - 85		76 - 38	COVER, INJECTION PUMP	2 - 26
CLAMP, RADIATOR HOSE	38 - 49	COLLAR, THRUST	81 - 19		101 - 25	COVER, JOINT COMP	35 - 54
	120 - 11	COLLAR, THRUST/A	76 - 35		110 - 12	COVER, LAMP/Front/LH	115 - 4
	94 - 5	COLLAR, THRUST/B	76 - 36		116 - 9	COVER, LAMP/Front/RH	115 - 5
CLAMP/26-38	94 - 13	COLLAR, THRUST20X28X2	46 - 7		124 - 19	COVER, LAMP/REAR	115 - 19
	95 - 5	COLLAR, THRUST37X58X1	63 - 7		124 - 28		115 - 29
	95 - 13	COLLAR/12-20-25	93 - 30	COVER	36 - 50	COVER, OIL PUMP	6 - 3
CLAMP/35	20 - 9	COLLAR/15X25X10	53 - 7	COVER	37 - 54	COVER, PTO CASE	35 - 26
	21 - 10	COLLAR/17X26X09	123 - 13	COVER COMP	100 - 3		35 - 80
CLAMP/45	20 - 10		123 - 51	COVER, A	98 - 2	COVER, PUMP	78 - 2
	21 - 11		125 - 14		18 - 19		94 - 15
CLAMP/48	24 - 8	COLLAR/20X39X02	125 - 53		123 - 17	COVER, REAR	77 - 4
	25 - 4		44 - 15		123 - 55	COVER, REAR ASSY	18 - 11
CLAMP, STRAINER	9 - 3	COLLAR/20X44X05	72 - 26		123 - 87	COVER, REAR ASSY	79 - 29
CLEANER, AIR	24 - 1		43 - 16		125 - 18	COVER, REAR/LH COMP	108 - 20
CLEANER, AIR/E60 ASSY	25 - 1		72 - 28				

DESCRIPTION	REF. NO.	DESCRIPTION	REF. NO.	DESCRIPTION	REF. NO.	DESCRIPTION	REF. NO.	DESCRIPTION	REF. NO.
JOINT/R ASSY	33 - 14	LABEL, PTO	127 - 29	LINING/11X40X03	30 - 3	METAL, BYPASS	49 - 5		
JOINT-TYPE 2	13 - 13	LABEL, SPEED	127 - 41	LINING/13X50X3	60 - 15	METAL, CHANGE	92 - 1		
KEY	7 - 13	LABEL, SWITCH/D	127 - 42	LINK, CONTROL	15 - 9	METAL, CLUTCH	48 - 1		
	8 - 3	LABEL, SWITCH/D	127 - 27	LINK, CRANK	91 - 21	METAL, COVER	31 - 17		
KEY ASSY	15 - 12	LAMP	127 - 46	LINK, FUSIBLE	118 - 4	METAL, COVER/HST	123 - 108		
KNOB	117 - 15	LAMP	115 - 7	LINK, LH COMP	118 - 5	METAL, COVER/HST	49 - 1		
	29 - 13	LAMP ASSY	115 - 8	LINK, LOWER COMP	97 - 10	METAL, COVER/SUBCON	49 - 1A		
	35 - 47	LAMP LH ASSY	115 - 14	LINK, LOWER COMP	38 - 11	METAL, CREAM	62 - 9		
	35 - 101	LAMP LH SET	115 - 15	LINK, LOWER/RH COMP	38 - 12	METAL, DIFF CASE/LH	62 - 10		
	36 - 41	LAMP RH ASSY	115 - 25	LINK, RH COMP	97 - 9	METAL, DIFF CASE/RH	62 - 10		
	37 - 45	LAMP RH SET	115 - 24	LINK, SPOOL	91 - 12	METAL, GEAR CASE	18 - 18		
	48 - 19	LAMP, COMBNATION ASSY	116 - 4	LINK, SUPPORT	91 - 19	METAL, GRIND	40 - 13		
	89 - 14	LAMP, HEAD ASSY	115 - 1	LINK, TOP (R) COMP	97 - 9A	METAL, INPUT	40 - 10		
	117 - 19	LAMP, HEAD/F	116 - 1	LINK, TOP/A	38 - 18	METAL, MID/HST	41 - 24		
KNOB, LEVER/12	52 - 19	LAMP, HEAD/G ASSY	115 - 2	LINK, TOP/B	39 - 21	METAL, PINION	81 - 5		
	53 - 22	LAMP, NO PLATE ASSY	115 - 32	LINK, TOP/B	38 - 19	METAL, PTO	62 - 14		
	54 - 31	LAMP, NO PLATE SET	115 - 31	LINK, TOP/B	38 - 19	METAL, PTO SHAFT	35 - 18		
	54 - 43	LAMP, NO PLATE SET	116 - 11	LINK, TOP/B	38 - 19	METAL, PTO SHAFT	35 - 18		
	55 - 13	LAMP, TAIL ASSY	116 - 11	LINK, TOP/B	38 - 19	METAL, PTO SHAFT	35 - 18		
	56 - 23	LEVER	117 - 18	LINK, TOP/B	38 - 19	METAL, PTO SHAFT	35 - 18		
	73 - 33	LEVER, 1ST	123 - 29	LINK, TOP/B	38 - 19	METAL, PTO SHAFT	35 - 18		
	73 - 51	LEVER, 1ST	123 - 67	LINK, TOP/B	38 - 19	METAL, PTO SHAFT	35 - 18		
	121 - 33	LEVER, 1ST	125 - 69	LINK, TOP/B	38 - 19	METAL, PTO SHAFT	35 - 18		
L-BAAL/LH	60 - 10	LEVER, A	93 - 7	LINK, 3P, FRONT SET	39 - 1	METAL, REAR COVER	18 - 12		
	60 - 23	LEVER, AXLE	30 - 1	LINK, 3P, FRONT SET	39 - 1	METAL, SHIFT SPRING	56 - 5		
L-BALL/RH	60 - 9	LEVER, CLUCH	35 - 46	MANIFOLD, INLET	12 - 15	METAL, TENSION ARM	53 - 16		
	60 - 22	LEVER, CLUCH	35 - 100	MANIFOLD, EXH	12 - 15	METAL, TENSION ARM	53 - 16		
LABEL TYPE LH	127 - 8	LEVER, CLUTCH/PTO ASSY	37 - 44	MARK	127 - 24	METAL, TENSION ARM	54 - 37		
LABEL TYPE RH	127 - 3	LEVER, CLUTCH/PTO ASSY	37 - 44	MARK	127 - 25	METAL, TENSION ARM	56 - 19		
LABEL, CAUTION/CREAP	121 - 36	LEVER, CLUTCH/PTO ASSY	35 - 91	MARK, CAP	127 - 26	METAL, TENSION ARM	65 - 11		
LABEL, CAUTION/OIL/D	127 - 17	LEVER, CLUTCH/PTO ASSY	36 - 39	MARK, DRIVE	127 - 10	METAL, TENSION ARM	73 - 20		
LABEL, CAUTION/OIL/E	127 - 16	LEVER, CLUTCH/PTO ASSY	37 - 39	MARK, DRIVE/D	127 - 36	METAL, TENSION ARM	73 - 22		
LABEL, CAUTION/OIL/F	127 - 18	LEVER, CLUTCH/PTO ASSY	36 - 35	MARK, DRIVE/U	127 - 35	METAL, TENSION ARM	83 - 31		
LABEL, CAUTION/OIL/F	127 - 48	LEVER, CLUTCH/PTO ASSY	37 - 39	MARK, ENGINE STOP (E)	127 - 34	METAL, TENSION ARM	111 - 10		
LABEL, CREAP	121 - 35	LEVER, CONTROL	15 - 34	MARK, FUEL	127 - 37	METAL, TENSION ARM	111 - 10		
LABEL, FUEL/D	127 - 39	LEVER, CREAP	121 - 27	MARK, FUEL/FR	127 - 37	METAL, TENSION ARM	121 - 1		
LABEL, FUSE	120 - 17	LEVER, FRONT	56 - 20	MARK, FUSE/11	127 - 38	METAL, TENSION ARM	22 - 1		
LABEL, FUSE/4/E60	127 - 47	LEVER, FRONT	55 - 10	MARK, FUSE/4	127 - 43	METAL, TENSION ARM	23 - 1		
LABEL, GRAND	127 - 40	LEVER, 1ST	125 - 10	MARK, HST OILNUMBER/E	127 - 44	METAL, TENSION ARM	23 - 1A		
LABEL, GUIDE/LH	127 - 30	LEVER, MAIN	48 - 14	MARK, KEY SWITCH (E)	127 - 40	METAL, TENSION ARM	23 - 1B		
	127 - 31	LEVER, POSITION	93 - 13	MARK, KEY SWITCH (F)	127 - 22	METAL, TENSION ARM	79 - 3		
	127 - 31	LEVER, PTO	73 - 28	MARK, PORT A	127 - 23	METAL, TENSION ARM	79 - 12		
	127 - 31	LEVER, PTO	73 - 28A	MARK, PORT A	123 - 35	METAL, TENSION ARM	79 - 27		
	127 - 32	LEVER, PTO	73 - 28A	MARK, PORT A	123 - 73	METAL, TENSION ARM	79 - 30		
	127 - 32A	LEVER, PTO	73 - 29	MARK, PORT B	123 - 73	METAL, TENSION ARM	79 - 30		
	127 - 33	LEVER, SHIFT KIT	73 - 29A	MARK, PORT B	125 - 36	METAL, TENSION ARM	79 - 45		
	127 - 33A	LEVER, SUB	18 - 23	MARK, PORT B	125 - 75	METAL, TENSION ARM	118 - 17		
	127 - 9	LEVER, 2ND	52 - 15	MARK, PORT B	123 - 36	METAL, TENSION ARM	76 - 37		
LABEL, HAZARD	127 - 49	LEVER, 2ND	53 - 17	MARK, PORT B	123 - 74	METAL, TENSION ARM	101 - 4		
LABEL, MID	127 - 45	LEVER, 2ND	54 - 38	MARK, PORT B	125 - 37	METAL, TENSION ARM	2 - 23		
LABEL, MODEL/318F	127 - 20	LEVER, 2ND	123 - 95	MARK, PORT B	125 - 76	METAL, TENSION ARM	34 - 4		
LABEL, OIL/HST/D	127 - 19	LEVER, 92	125 - 97	MARK, PORT B	111 - 7	METAL, TENSION ARM	34 - 4		
LABEL, OIL/HST/E	127 - 21	LEVER, HST	73 - 47	MARK, PORT B	111 - 8	METAL, TENSION ARM	67 - 5		
LABEL, OIL/HST/F	127 - 28	LEVER, HST	60 - 27	MARK, PORT B	111 - 9	METAL, TENSION ARM	73 - 23		
LABEL, PTO	127 - 28	LEVER, MID	54 - 28	MARK, PORT B	123 - 103	METAL, TENSION ARM	74 - 34		
		LEVER, MID		MARK, PORT B	123 - 107	METAL, TENSION ARM	123 - 5		

DESCRIPTION	REF. NO.	DESCRIPTION	REF. NO.	DESCRIPTION	REF. NO.	DESCRIPTION	REF. NO.
NIPPLE/PT3/8	123 - 43	NUT/M 6	107 - 15	NUT/M10	35 - 99	NUT/M6	103 - 22
	123 - 79		115 - 21		36 - 38		103 - 23
NOZZLE ASSY	125 - 5	NUT/M 8	115 - 47		37 - 42	NUT/M8	108 - 14
	125 - 44		23 - 16	60 - 20	3 - 11		
NOZZLE, INJECTION ASSY	125 - 81		24 - 10		64 - 7		3 - 18
	13 - 2		25 - 7		65 - 9		4 - 14
NOZZLE, INJECTION ASSY	13 - 5		29 - 21		77 - 23		4 - 18
	13 - 1		34 - 7		78 - 38		8 - 29
NUT	13 - 4		34 - 15		93 - 12		11 - 4
	3 - 33		36 - 27		110 - 16		11 - 10
NUT	8 - 26		36 - 33		12 - 6		12 - 8
	15 - 38		37 - 27		76 - 3		15 - 8
NUT	19 - 3		37 - 33		84 - 17		34 - 14
	19 - 26		52 - 10		86 - 17		54 - 30
NUT	19 - 28		52 - 17		98 - 11		54 - 40
	31 - 9		53 - 14		36 - 9		56 - 17
NUT	32 - 9		53 - 19		37 - 9		56 - 22
	35 - 39		54 - 20		74 - 27		58 - 24
NUT	35 - 93		54 - 35		83 - 10		58 - 27
	41 - 16		67 - 13		84 - 9		60 - 6
NUT	62 - 16		69 - 7		86 - 9		60 - 8
	74 - 21		69 - 25		97 - 8		60 - 11
NUT	74 - 31		73 - 50		122 - 5		60 - 24
	77 - 14		75 - 15		84 - 10		60 - 26
NUT	79 - 24		76 - 29		85 - 13		60 - 28
	79 - 47		76 - 41		86 - 10		67 - 14
NUT	79 - 48		90 - 7		87 - 13		69 - 17
	79 - 51		94 - 11		29 - 12		69 - 18
NUT	88 - 5		94 - 23		38 - 17		69 - 26
	89 - 18		95 - 11		39 - 19		73 - 18
NUT	22 - 5		95 - 23		74 - 7		73 - 27
	23 - 3		98 - 18		90 - 10		75 - 13
NUT	77 - 2		100 - 8		96 - 12		93 - 4
	79 - 8		101 - 19		96 - 16		94 - 25
NUT	1 - 20		105 - 17		85 - 11		95 - 25
	3 - 19		106 - 18		85 - 12		108 - 17
NUT	82 - 16		107 - 18		87 - 11		116 - 21
	7 - 7		109 - 8		87 - 12		121 - 32
NUT	79 - 41		109 - 12		38 - 20		123 - 27
	117 - 31		109 - 16		39 - 23		123 - 46
NUT	117 - 32		109 - 22		117 - 24		123 - 65
	26 - 4		109 - 31		117 - 26		123 - 81
NUT	117 - 13		109 - 36		77 - 15		125 - 9
	127 - 4		110 - 5		117 - 17		125 - 28
NUT	97 - 12		117 - 3		97 - 5		125 - 48
	123 - 8		27 - 6		115 - 13		125 - 67
NUT	29 - 14		28 - 7		115 - 38		125 - 83
	116 - 16		16 - 5		115 - 42		3 - 35
NUT	101 - 10		35 - 9		116 - 17		4 - 5
	104 - 14		35 - 42		27 - 10		11 - 21
NUT	104 - 15		35 - 45		28 - 11		17 - 6
	105 - 14		35 - 63		58 - 12		38 - 30
NUT	106 - 15		35 - 96		102 - 14		38 - 32

DESCRIPTION	REF. NO.	DESCRIPTION	REF. NO.	DESCRIPTION	REF. NO.	DESCRIPTION	REF. NO.	DESCRIPTION	REF. NO.
O-RING	38 - 33	O-RING/P14	55 - 9	PACKING	12 - 6	PIN, LEVER	35 - 102		
	48 - 8		56 - 13		24 - 4		36 - 42		
	64 - 11		73 - 13		26 - 8		37 - 46		
	65 - 6		73 - 46		28 - 3	PIN, LINK	51 - 17		
	77 - 18		92 - 2		79 - 49		96 - 6		
	79 - 7		92 - 6	PACKING, BRAKE COVER	66 - 12		122 - 8		
	79 - 10		94 - 31	PACKING, METAL	81 - 6	PIN, LOWER LINK	39 - 14		
	79 - 14		94 - 36	PACKING, OIL PUMP	78 - 9	PIN, MAIN CLUTCH CAM	30 - 11		
	79 - 15		95 - 33	PACKING, REAR AXLE	64 - 3	PIN, PACKING GEAR	46 - 19		
	79 - 20		95 - 38	PACKING, ROD	38 - 28	PIN, PISTON	7 - 3		
	79 - 28		121 - 26	PACKING, SIDE COVER	77 - 7	PIN, ROD COMP	90 - 13		
	79 - 39		124 - 26	PACKING, U	79 - 4	PIN, ROLLER	58 - 16		
O-RING G60	89 - 7	O-RING/P15	9 - 2	PACKING/RUBBER	110 - 9		58 - 16A		
O-RING HS90 G50	78 - 4	O-RING/P16	89 - 12	PAN, OIL	5 - 1	PIN, SEAT SET	109 - 19		
	94 - 17		124 - 11	PANEL DASH COMP	112 - 1	PIN, SNAP/6	3 - 22		
	95 - 17	O-RING/P18	61 - 7	PANEL, DASH COMP	112 - 2		123 - 22		
	78 - 13		61 - 16	PANEL, DASH/B	113 - 1		123 - 60		
	78 - 6		61 - 37		113 - 2		123 - 93		
	94 - 19	O-RING/P20	76 - 24	PANEL, E60	114 - 3		125 - 23		
	95 - 19		61 - 21	PANEL, HE60	114 - 4		125 - 62		
	124 - 6		78 - 22	PANEL, INSTRUMENT ASSY	114 - 1		125 - 95		
O-RING/G25	82 - 4		82 - 5	PANEL, INSTRUMENT ASSY	114 - 2	PIN, SPLIT	38 - 40		
O-RING/G30	57 - 11		94 - 7	PEDAL ASSY	29 - 4		39 - 25		
O-RING/G65	58 - 5		94 - 27	PEDAL, B/RH	67 - 20	PIN, SPLIT/1.6X10	29 - 16		
O-RING/G70	94 - 2		94 - 34	PEDAL, DIFF LOCK COMP	65 - 12	PIN, SPLIT/2 X15	30 - 13		
	95 - 2		95 - 7	PEDAL, HB/RH	67 - 21		75 - 14		
O-RING/P 7	91 - 21		95 - 27	PEDAL, HST/LH COMP	67 - 2		91 - 14		
O-RING/P 8	15 - 35		95 - 36	PEDAL, HST/RH COMP	67 - 4		91 - 17		
	79 - 40		61 - 22	PEDAL, LH COMP	67 - 1	PIN, SPLIT/2 X20	30 - 20		
O-RING/P10	89 - 6	O-RING/P22	78 - 5	PEDAL, RH COMP	67 - 3		34 - 12		
O-RING/P10A	26 - 2		89 - 11	PEDAL, HST COMP	60 - 1		34 - 18		
	50 - 2		94 - 18	PIECE, THRUST	15 - 19		53 - 26		
	61 - 29		95 - 18	PIN	2 - 16		54 - 47		
	73 - 39	O-RING/P24	61 - 6		3 - 23		56 - 27		
	91 - 24		61 - 36		7 - 11		67 - 18		
	121 - 18	O-RING/P28	61 - 2		7 - 29		68 - 3		
	75 - 10	O-RING/P30	26 - 5	PIN ASSY	34 - 10		68 - 6		
	78 - 12	O-RING/P44	32 - 16	PIN SPLIT W 6.0X16	38 - 14		68 - 9		
	91 - 9	O-RING/P52	89 - 20	PIN ADAPTER	122 - 17		68 - 14		
	123 - 18	O-RING/P55	81 - 8	PIN, ARM	46 - 20	PIN, SPLIT/2 X25	73 - 7		
	123 - 56	O-RING/P71	127 - 13	PIN, CHAIN	15 - 25		76 - 4		
	124 - 27	ORNAMENT, 318/LH	127 - 14	PIN, CONTROL LINK	3 - 21		76 - 4		
	125 - 19	ORNAMENT, 318/RH	127 - 1	PIN, GROOVE	96 - 13	PIN, SPLIT/2.5X15	98 - 8		
	125 - 58	ORNAMENT, GRILLE	127 - 11	PIN, GROOVED	15 - 22		29 - 2		
	125 - 91	ORNAMENT/LH	127 - 15	PIN, HAIR	3 - 26		29 - 9		
	49 - 6	ORNAMENT/REAR	127 - 12	PIN, HAIR (19)	65 - 4		35 - 51		
O-RING/P14	49 - 10	ORNAMENT/RH	3 - 20	PIN, HAIR/19	60 - 4		35 - 105		
	52 - 7	PACKING	3 - 25	PIN, IDLE GEAR	97 - 14		36 - 46		
	53 - 10		4 - 13	PIN, INJECTION PUMP	51 - 17A		37 - 50		
	54 - 12		10 - 3	PIN, KNOCK	2 - 11	PIN, SPLIT/2.5X20	30 - 10		
	54 - 14			PIN, LEVER	17 - 13		30 - 16		
					78 - 39		52 - 24		
					35 - 48		69 - 20		

DESCRIPTION	REF. NO.	DESCRIPTION	REF. NO.	DESCRIPTION	REF. NO.	DESCRIPTION	REF. NO.
PIN, SPLIT/2.5X20	69 - 28	PIN, ST/10X18	83 - 4	PIPE, 1ST/B	123 - 42	PISTON	38 - 26
	73 - 37	PIN, ST/8X16	62 - 4		125 - 4		79 - 18
	84 - 18		63 - 10		125 - 43		89 - 19
	86 - 18		66 - 16	PIPE, 2ND/A	125 - 78	PISTON, OV	7 - 24
	109 - 20		121 - 4	PIPE, 2ND/B	123 - 77		7 - 26
PIN, SPLIT/2.5X25	109 - 28	PIN, ST/8X22	2 - 17		125 - 79	PISTON, RELIEF VALVE	3 - 28
	30 - 7	PIN, STARTING SPRING	2 - 29	PIPE, B/RUBBER	61 - 31	PIVOT, AXLE COMP	74 - 9
	73 - 8	PIN, STRAIGHT	2 - 18		61 - 40	PIVOT, DIFF LOCK COMP	65 - 14
PIN, SPLIT/2X18	66 - 8	PIN, STRAINER	6 - 8	PIPE, BREATHER	31 - 13	PIVOT, FRONT SET	56 - 18
PIN, SPLIT/2X20	54 - 23		6 - 10		82 - 12	PIVOT, PARKING COMP	68 - 7
	65 - 18	PIN, SUPPORT	91 - 20	PIPE, BUST	61 - 11	PIVOT, PIN COMP	82 - 13
	93 - 6	PIN, TAPER/8X50	66 - 20	PIPE, COOLER COMP	61 - 30	PIVOT, SHIFT/MID SET	54 - 24
PIN, SPLIT/2X25	56 - 8		66 - 23	PIPE, DELIVERY COMP	94 - 26	PIVOT, SHIFT/SUB SET	52 - 13
PIN, SPLIT/3 X20	85 - 14		66 - 24		95 - 26		53 - 15
	87 - 14	PIN, TRIP-HOOK ROD	68 - 12	PIPE, DELIVERY/A COMP	94 - 30		54 - 36
PIN, SPLIT/3 X25	35 - 36	PIN, TUBE	2 - 15		95 - 32	PLATE	17 - 14
	35 - 90		4 - 6		95 - 32A		19 - 9
	82 - 17	PIN, VALVE ARM	30 - 15	PIPE, DELIVERY/B COMP	94 - 35		37 - 35
	96 - 15		67 - 15		95 - 37		38 - 9
PIN, SPLIT/3X35	38 - 22	PIN, YOKE A	66 - 7	PIPE, DRAIN	61 - 34		38 - 10
	39 - 15	PIN/10X18	96 - 14	PIPE, INJECTION SET	13 - 17		39 - 4
PIN, SPRING	124 - 21	PIN/12X48	60 - 2	PIPE, INJECTION ASSY	13 - 18		41 - 12
PIN, SPRING/5 X25 W	48 - 18	PIN/14X38	34 - 9		13 - 19		51 - 8
	52 - 11	PIN/16X134	73 - 24		13 - 20		52 - 5
	53 - 12	PIN/16X73	97 - 6	PIPE, INLET	24 - 6		52 - 22
	54 - 18	PIN/19X172	51 - 16A		24 - 9		53 - 8
	54 - 33	PIN/19X220	51 - 16		25 - 2		54 - 10
	55 - 11	PIN/19X50	38 - 21	PIPE, INLET SET	25 - 6		54 - 15
	69 - 11	PIN/19X77	39 - 24	PIPE, INLET SET	24 - 9A		54 - 21
	73 - 48	PIN/19X86	97 - 13	PIPE, MAIN SHIFT ARM	48 - 5		55 - 7
	93 - 18	PIN/22X106	38 - 38	PIPE, OIL	10 - 1		56 - 11
	121 - 40	PIN/22X82	90 - 9	PIPE, OIL COMP	78 - 19		60 - 16
PIN, SPRING/5X25 W	56 - 2	PIN/22X91	38 - 39		78 - 24		73 - 11
	56 - 15	PIN/30X319	39 - 16		78 - 28		73 - 35
	73 - 15	PIN/5X17	91 - 16	PIPE, OUTLET	24 - 7		73 - 44
	73 - 32	PIN/5X24	65 - 4A		25 - 3		93 - 20
	121 - 28	PIN/6X20	124 - 22	PIPE, PUMP HOUSING	11 - 15		109 - 38
PIN, SPRING/6 X25 W	76 - 10	PIN/7X10	48 - 20	PIPE, RETURN COMP	61 - 19		121 - 25
PIN, SPRING/6X32 W	80 - 15	PIN/8X40	34 - 3		61 - 19A	PLATE, ADJUST	16 - 1
PIN, SPRING/8 X25 W	58 - 3		67 - 7	PIPE, SUCTION COMP	61 - 39	PLATE, ADJUST COMP	59 - 1
	69 - 12	PINION	18 - 16		61 - 5		59 - 1A
PIN, ST A	63 - 9	PINION, BEVEL SET	45 - 1		94 - 6	PLATE, ADJUSTING	17 - 12
PIN, ST A/8X14	81 - 12	PINION, DIFF/11T	63 - 4		94 - 9	PLATE, ARM	60 - 19
PIN, ST A/8X28	81 - 11		81 - 16		95 - 6	PLATE, BUSH	51 - 15
PIN, ST/ 8X16	31 - 12	PINION/11/LH	63 - 13		95 - 9	PLATE, COVER SIDE COMP	106 - 11
	31 - 19	PINION/11/RH	63 - 14	PIPE, SUCTION COMP	78 - 25	PLATE, COVER/SIDE COMP	105 - 8
	32 - 12	PIPE	1 - 17	PIPE, TAIL COMP	22 - 2		107 - 9
	40 - 2	PIPE	64 - 10		23 - 11		108 - 10
	40 - 14	PIPE, 1ST/A	123 - 3	PIPE, WATER DRAIN	2 - 24	PLATE, FRICTION	66 - 2
	41 - 2		123 - 41	PIPE, WATER OUTLET	11 - 20	PLATE, FRONT	4 - 1
	41 - 25		125 - 3	PIPE/110	64 - 18	PLATE, GRAND	40 - 12
	83 - 32		125 - 42	PIPE/38	88 - 12	PLATE, GUIDE	102 - 9
PIN, ST/10X18	62 - 5	PIPE, 1ST/B	123 - 4	PISTON	7 - 1		103 - 17

DESCRIPTION	REF. NO.	DESCRIPTION	REF. NO.	DESCRIPTION	REF. NO.	DESCRIPTION	REF. NO.	DESCRIPTION	REF. NO.
PLATE, GUIDE	104 - 9	PLUG, DRAIN (1/4)	31 - 11	PUMP, GEAR ASSY	78 - 1	RING, SNAP/12 C	35 - 87		
PLATE, I/16X203	53 - 24		64 - 4		94 - 14		59 - 6		
	54 - 45		83 - 33		95 - 14	RING, SNAP/14 C	50 - 9		
PLATE, LOCK	105 - 16	PLUG, GLOW	16 - 11	PUMP, INJECTION ASSY	15 - 1		53 - 5		
	106 - 17	PLUG, HOT	1 - 3		17 - 1		54 - 5		
	107 - 17	PLUG, PT1/8	79 - 17	PUMP, OIL	6 - 1		55 - 2		
	108 - 16	PLUG/7P	1 - 6	PUMP, WATER	11 - 1		121 - 17		
PLATE, REAR	2 - 33	PLUG/7P SET	120 - 1	R. B. B/6304-2RS	83 - 12	RING, SNAP/15 C	36 - 24		
PLATE, SET LH COMP	109 - 29	PLUG/7P SET	120 - 1	R. B. B/6204R	83 - 22		37 - 24		
PLATE, SET RH COMP	109 - 30	PLUG/PT1/4	77 - 19	RACK, CONTROL	17 - 16		61 - 15		
PLATE, STOPPER	68 - 18		78 - 18	RADIATOR	20 - 1		121 - 13		
	83 - 8		82 - 9	REFLECTOR	21 - 1	RING, SNAP/16 C	8 - 24		
	121 - 22	PLUG/PT1/8	31 - 20	REFLECTOR	115 - 20		52 - 21		
PLATE, STOPPER COMP	74 - 24		49 - 12	REFLECTOR ASSY	115 - 30		53 - 21		
	74 - 25		89 - 8	REFLECTOR	108 - 13		54 - 27		
	74 - 26		92 - 8	REFLECTOR ASSY	105 - 13		54 - 42		
PLATE, TAPPET/ADJUST	17 - 21		123 - 78	REGULATOR	106 - 14	RING, SNAP/17 C	73 - 25		
	17 - 22		124 - 12	RESISTANCE	107 - 14		43 - 35		
	17 - 23		125 - 6	RIM, WHEEL/5JX12	19 - 29	RING, SNAP/20 C	76 - 17		
	17 - 24		125 - 45	REGULATOR	16 - 13		32 - 22		
	17 - 25		125 - 80	RIM, WHEEL/W7-20 COMP	71 - 5		46 - 4		
	17 - 26	PLUG/PT3/8	41 - 3	RING	71 - 9		46 - 9		
	17 - 27	POINTER	41 - 27		70 - 1		80 - 6		
	17 - 28	POPPET	2 - 34		70 - 5		80 - 10		
	17 - 29		61 - 12		79 - 6		80 - 14		
	17 - 30		79 - 21		79 - 13		80 - 14A		
	17 - 31		124 - 9	RING, BACK UP	38 - 34		121 - 10		
	17 - 32		127 - 6	RING, BACKUP	89 - 21	RING, SNAP/22 C	46 - 24		
	17 - 33	PRNAMENT	37 - 1	RING, CIRCLIP	76 - 18	RING, SNAP/25 C	33 - 3		
	17 - 34	PTO, FRONT C	37 - 1		121 - 12		35 - 14		
		PTO, FRONT/A	35 - 2		121 - 38		35 - 68		
PLATE, THRUST	8 - 4		35 - 56	RING, CUP/16X24X56	76 - 12		36 - 4		
PLATE, THRUST INJPUMP	15 - 15	PTO, FRONT/A	35 - 4	RING, GRIP	84 - 13		37 - 4		
PLATE, Z/77X295	109 - 24		35 - 58		84 - 16		46 - 13		
PLATE, SEAL COMP	98 - 21	PTO, FRONT/A20	35 - 1		86 - 13		46 - 17		
PLIERS/G150	126 - 3	PTO, FRONT/B	36 - 5		86 - 16		47 - 2		
PLUG	2 - 10	PTO, FRONT/B	36 - 1	RING, PISTON SET	7 - 2		47 - 9		
	3 - 3	PTO, FRONT/C	37 - 5	RING, PISTON/OV SET	7 - 27		67 - 9		
	3 - 24	PULLEY	7 - 17	RING, PISTON/OV50 SET	7 - 25		72 - 31		
	5 - 2		19 - 2	RING, SNAP	7 - 4		81 - 4		
	8 - 20	PULLEY, TENSION	35 - 29		18 - 6		83 - 30		
	28 - 2		35 - 83		79 - 32	RING, SNAP/28 C	48 - 7		
	40 - 3	PULLEY, V/137	35 - 15		79 - 46	RING, SNAP/30 C	36 - 20		
	64 - 5		35 - 69		124 - 13		37 - 20		
	79 - 52	PULLEY, WATER PUMP	11 - 24		15 - 23		42 - 6		
	91 - 7	PULLEY/FT052X037	36 - 22	RING, SNAP/ 4 E	15 - 32		42 - 11		
	91 - 8		37 - 22	RING, SNAP/10 C	123 - 32		43 - 6		
	124 - 7	PULLEY/V2B099	35 - 8		123 - 70		43 - 29		
PLUG	20 - 5	PULLEY/V2B109	35 - 62		123 - 98		44 - 6		
	21 - 5		36 - 12		123 - 33		45 - 7		
PLUG, PT1/4	32 - 11	PULLEY/V2B141	37 - 12		125 - 72		63 - 19		
PLUG, BREATHE	82 - 11		36 - 17		125 - 100		64 - 22		
PLUG, BREATHING	26 - 7	PUMP, FUEL	26 - 13	RING, SNAP/12 C	35 - 33	RING, SNAP/32 C	35 - 32		

DESCRIPTION	REF. NO.	DESCRIPTION	REF. NO.	DESCRIPTION	REF. NO.	DESCRIPTION	REF. NO.
RING, SNAP/32 C	35 - 86	ROD/88	123 - 21	SEAL	21 - 21	SHAFT	4 - 8
RING, SNAP/35 C	43 - 19		123 - 59		21 - 22	SHAFT	67 - 6
	90 - 8		123 - 92		21 - 23	SHAFT, CAM	8 - 1
RING, SNAP/4 E	124 - 23		125 - 22		21 - 24	SHAFT, CENTER	77 - 3
RING, SNAP/40 C	90 - 4		125 - 61		21 - 25	SHAFT, CHANGE	42 - 8
RING, SNAP/42 C	32 - 26		125 - 94		21 - 26	SHAFT, CHANGE/GRAND	43 - 12
RING, SNAP/45 C	44 - 12	ROLLER/08X12X15 ASSY	58 - 19		124 - 20	SHAFT, CHANGE/MAIN	43 - 17
	57 - 3		19 - 5	SEAL, BEARING CAP	2 - 12	SHAFT, COUNTER	83 - 14
RING, SNAP/47 C	83 - 23	ROTOR, INNER	6 - 4	SEAL, BEARING CAP/7	2 - 13	SHAFT, CRANK ASSY	7 - 10
RING, SNAP/52 C	35 - 13	ROTOR, OUTER	6 - 5	SEAL, CYL. HEAD COVER	1 - 19	SHAFT, DIFF PINION A	63 - 2
	35 - 67	RUBBER	36 - 53	SEAL, DUST	38 - 29	SHAFT, DIFF PINION B	63 - 3
	83 - 13		37 - 57		89 - 10	SHAFT, DIFF. PINION	81 - 15
RING, SNAP/60 C	36 - 14	RUBBER (A)	20 - 29	SEAL, OIL	1 - 10	SHAFT, DRIVE	80 - 1
	36 - 56		21 - 9		2 - 14		80 - 2
	37 - 14	RUBBER, BUFFER	110 - 3		3 - 8	SHAFT, DRIVE, L	82 - 18
	37 - 60	RUBBER, COVER	35 - 55		76 - 25	SHAFT, DRIVE, R	82 - 19
RING, SNAP/7 E	58 - 20	RUBBER, CUSHION	34 - 19		77 - 6	SHAFT, DRIVE/FRONT	43 - 25
RING, SNAP/72 C	63 - 17		74 - 33		78 - 3		46 - 14
RING, SNAP/80 C	64 - 23	RUBBER, CUSHION (A)	109 - 18		79 - 5		47 - 3
RIVET, BLIND	78 - 14	RUBBER, LOCK	102 - 11		79 - 31	SHAFT, FRONT DRIVE	76 - 7
	112 - 6		103 - 19		83 - 20	SHAFT, FRONT DRIVE	46 - 2
RIVET, BLIND/4X7.5	113 - 4	SCREW	104 - 11		94 - 16	SHAFT, FRONT PTO	29 - 18
	101 - 6		17 - 2		95 - 16	SHAFT, FRONT WHEEL	83 - 25
ROD	34 - 16		18 - 9	SEAL, OIL/48	64 - 19	SHAFT, HYD.	4 - 10
ROD, ACCLE	89 - 22		18 - 27	SEAL, OIL/TC20358	46 - 3	SHAFT, INPUT	32 - 21
ROD, CONN	29 - 1		99 - 6		46 - 18	SHAFT, JOINT	30 - 29
ROD, COVER	7 - 5		114 - 5		47 - 10	SHAFT, LIFT	90 - 1
ROD, LIFT/LH COMP	38 - 27	SCREW M612	116 - 14	SEAL, OIL/TC20428	32 - 24	SHAFT, MID	57 - 15
ROD, PARKING	68 - 10		111 - 4	SEAL, OIL/TC25357	66 - 17	SHAFT, OIL PUMP	6 - 6
ROD, PARKING/RH	69 - 22	SCREW SEEMS/M6X16	112 - 11	SEAL, OIL/TC25408	33 - 7	SHAFT, PARKING	69 - 9
ROD, PISTON	38 - 25	SCREW SEMS M6X12	29 - 5		42 - 2	SHAFT, PTO	36 - 19
ROD, PUSH	8 - 15	SCREW, ADJ	51 - 6		43 - 2		72 - 15
ROD, SHIFT/PTO	56 - 25	SCREW, ADJUST	77 - 9	SEAL, OIL/TC25478	31 - 26		72 - 5A
ROD, TIE	85 - 10		8 - 25		57 - 18		72 - 16
	87 - 10	SCREW LH/M24X160COMP	79 - 34		81 - 7		72 - 16
	84 - 8	SCREW, PLUS/M4X8	97 - 3	SEAL, OIL/TC4, 14247	124 - 4		72 - 27
	86 - 8	SCREW, PLUS/M4X8	117 - 9	SEAL, OIL/TC40558	72 - 17	SHAFT, PTO/C	37 - 19
	34 - 8	SCREW, RH/M24 COMP	117 - 11	SEAL, OIL/VC20325	80 - 22	SHAFT, PTO/DN	35 - 16
ROD/055	69 - 15A	SCREW, SEMS	97 - 2	SEAL, OIL/VC35506	90 - 2		35 - 70
ROD/115	69 - 15		115 - 37	SEAL, RING	19 - 21	SHAFT, REAR	76 - 8
ROD/125	69 - 15		115 - 46	SEAL, SLIPPER	79 - 9	SHAFT, ROCKER ASSY	8 - 16
ROD/150	65 - 16	SCREW, SP/M4X12	115 - 12	SEAL, 30X30X550	98 - 13	SHAFT, ROCKER ARM	8 - 19
ROD/178	60 - 7	SCREW, TAPPING	80 - 20	SEAL/47	83 - 24	SHAFT, ROCKER ARM ASSY	8 - 18
ROD/225	69 - 23	SCREW/M5X10	116 - 7	SEAL/QLNY35571116	83 - 26	SHAFT, SECTOR ASSY	79 - 33
ROD/320	69 - 21	SCREW/M6X40	110 - 10	SEAT, A	109 - 1	SHAFT, SHIFT	52 - 18
ROD/390	68 - 19	SCREWDRIVER ASSY	89 - 15	SEAT, B	109 - 2		53 - 20
ROD/406	93 - 2	SEAL	126 - 4	SEAT, SPRING/LOWER	17 - 20		54 - 41
ROD/42	68 - 4		20 - 23	SEAT, SPRING/UPPER	17 - 18	SHAFT, SLOW RETURN	89 - 17
ROD/425	67 - 10		20 - 24	SEAT, VALVE SPRING	8 - 12	SHAFT, STEERING	76 - 6
ROD/535	60 - 21		20 - 25	SENSOR	61 - 28	SHAFT, WHEEL	64 - 16
ROD/55	60 - 21		20 - 26	SHAFT	43 - 27	SHAFT, YOKE	34 - 23
ROD/65	93 - 1		20 - 27		44 - 5	SHAFT, YOKE COMP	121 - 19
ROD/80	93 - 1		20 - 28		57 - 10	SHIFT, FRONT CHANGE	55 - 3

DESCRIPTION	REF. NO.	DESCRIPTION	REF. NO.	DESCRIPTION	REF. NO.	DESCRIPTION	REF. NO.	DESCRIPTION	REF. NO.
SHIFT, HIGH	50 - 15	SPRING, GOVERNOR	15 - 33	STAY, CLUTCH	36 - 36	STOPPER, CRANK	88 - 9		
SHIFT, LOW	50 - 6	SPRING, PRESS/22	30 - 4	STAY, CREAP SHIFT	37 - 40	STOPPER, FULL-LOAD	3 - 17		
SHIFT, SUB	52 - 1		60 - 17	STAY, ENGINE COMP	121 - 16	STOPPER, STAY	57 - 12		
SHIFTER, DIFF-LOCK	65 - 1		93 - 11	STAY, ENGINE COMP	75 - 6	STRAINER	9 - 1		
SHIM B T=0.198	81 - 22	SPRING, PRESS/40	65 - 5	STAY, FILTER	26 - 11	STUD	2 - 20		
SHIM C T=0.1	81 - 23	SPRING, PRESSURE/32	73 - 31	STAY, FRONT SHIFT	55 - 1		2 - 21		
SHIM C T=0.5	81 - 21	SPRING, PRESSURE/60	48 - 11	STAY, HIGHT SHIFT	50 - 10		3 - 5		
SHIM, ADAPTER	15 - 27	SPRING, PUMP PLUNGER	109 - 34	STAY, HORN	117 - 5		3 - 6		
	15 - 28	SPRING, RELIEF VALVE	17 - 19	STAY, LAMP/LH	116 - 18		3 - 7		
	15 - 29	SPRING, RETURN	3 - 29	STAY, LAMP/RH	116 - 19		4 - 2		
	15 - 31		12 - 14	STAY, LH	100 - 10		12 - 3		
SHIM, ADJ. SCREW SET	77 - 10		15 - 36		101 - 21	STUD, HEAD COVER	12 - 3		
SHIM, COVER SET	77 - 8	SPRING, SHIFTER	50 - 7		111 - 12	STUD/M10X32	1 - 14		
SHIM, DIFF CASE A	62 - 11		50 - 16	STAY, MIRROR	22 - 7	STUD/M10X35	41 - 15		
SHIM, DIFF CASE B	62 - 12		52 - 2	STAY, MUFFLER	23 - 5	STUD/M12X25	62 - 2		
SHIM, INJECTION PUMP	15 - 2		53 - 2		20 - 21	STUD/M8X40	62 - 8		
	15 - 3		54 - 2	STAY, PLATE	21 - 19		2 - 19		
	15 - 4		54 - 7		123 - 6	SWITCH	11 - 8		
	15 - 5		55 - 4		123 - 44	SWITCH ASSY	117 - 27		
	15 - 6		56 - 6		125 - 7	SWITCH, HAZARD ASSY	117 - 16		
	61 - 14		73 - 5		125 - 46	SWITCH, LAMP ASSY	117 - 29		
SHIM/07X14X01	20 - 14		73 - 41		26 - 12	SWITCH, MAGNETIC ASSY	18 - 24		
SHROUD	20 - 14		121 - 20	STAY, PUMP	100 - 12	SWITCH, OIL PRESSURE	16 - 9		
	21 - 15	SPRING, STARTING	15 - 41	STAY, RH	101 - 23	SWITCH, SAFETY ASSY	117 - 23		
SHUTTER, INTAKE	12 - 4	SPRING, TENSION	36 - 28		65 - 2		117 - 35		
SLEEVE	31 - 23		37 - 28	STAY, SHIFT	56 - 4	SWITCH, STARTER ASSY	117 - 7		
	32 - 14		30 - 17	STAY, SHIFT/FRONTCOMP	73 - 38	SWITCH, STOP LIGHT	117 - 30		
SLEEVE, PLUNGER CONTR	17 - 17	SPRING, TENSION (52)	65 - 19	STAY, SHIFT/GRAND	50 - 1	SWITCH, THERMETER	16 - 10		
SLEEVE/35X40X17	72 - 18	SPRING, TENSION/121	34 - 24	STAY, SHIFT/IST	54 - 4	TANK, FUEL	110 - 1A		
SPACER, FAN/39	11 - 25	SPRING, TENSION/41	91 - 11	STAY, SHIFT/MID	73 - 1	TANK, FUEL COMP	110 - 1		
SPACER, HYD.	4 - 4	SPRING, TENSION/64	35 - 53	STAY, SHIFT/PTO	73 - 2	TANK, OIL COMP	78 - 10		
SPACER, WATER PUMP	11 - 6	SPRING, TENSION/70	35 - 107		53 - 4	TAPPET	8 - 14		
SPANNER, BOX/22	126 - 1		36 - 48	STAY, SHIFT/SUB	117 - 33	TAPPET, INJECTIONASSY	17 - 15		
SPANNER/ 8X10	126 - 5		37 - 52	STAY, SWITCH COMP	110 - 13	TENSIONER, WIRE COMP	35 - 49		
SPANNER/12X14	126 - 6		35 - 34	STAY, TANK/LH	110 - 14		35 - 103		
SPANNER/13X17	126 - 7	SPRING, TORQUE/32	35 - 88	STAY, TANK/RH	22 - 9		36 - 44		
SPANNER/19X22	126 - 8		8 - 11	STAY, TUBE	77 - 1	TERMOSTAT	37 - 48		
SPANNER/24X27	126 - 9	SPRING, VALVE	29 - 10	STEERING ASSY	79 - 1	TIRE, FRONT 6-12-4P	11 - 19		
SPRING	8 - 23	SPRING/95	61 - 13	STEERING, POWER ASSY	76 - 1	TIRE/24X8.50-12-4	71 - 6		
	19 - 20	SPRING/HCO21	124 - 16	STEERING, WHEEL ASSY	111 - 2	TIRE/315/80D-16-4	71 - 10		
	91 - 5	SPRING/HCO26	68 - 15	STEP, LH COMP	111 - 3	TIRE/8.3-20-4	70 - 2		
	91 - 6	SPRING/HCO55	66 - 5	STOPPER	68 - 1		70 - 6		
	96 - 5	SPRING/HE023	59 - 7A		102 - 18	TRIM, FENDER	105 - 5		
	98 - 16	SPRING/HE066	67 - 19		103 - 28		106 - 3		
	100 - 6	SPRING/HE130	19 - 12		103 - 38		107 - 5		
	101 - 17		18 - 1	STOPPER, A	104 - 19		108 - 2		
SPRING, ADAPTER	124 - 10	STARTER	66 - 3		102 - 20	TUBE	70 - 3		
SPRING, BRAKE	15 - 26	STARTER ASSY	100 - 14		104 - 21		70 - 7		
SPRING, BRUSH	59 - 7		38 - 8	STOPPER, BELT	35 - 24	TUBE, ORIFICE	13 - 15		
SPRING, COIL	18 - 15	STATOR	35 - 38		35 - 78	TUBE, STRAIGHT/50	60 - 31		
	79 - 19	STAY, B/RH	100 - 14						
	79 - 22	STAY, BRACKET	38 - 8						
	79 - 25	STAY, CLUTCH	35 - 92						
SPRING, DELIVERYVALVE	17 - 4								

DESCRIPTION	REF. NO.	DESCRIPTION	REF. NO.	DESCRIPTION	REF. NO.	DESCRIPTION	REF. NO.
TUBE, STRAIGHT/50	93 - 16	WASHER	6 - 9	WASHER M6	114 - 6	WASHER, PL/M8	123 - 83
	123 - 34		7 - 18	WASHER, PL/M 4	80 - 19		125 - 11
	123 - 72		11 - 5	WASHER, PL/M 5	29 - 17		125 - 50
	123 - 100		11 - 11		91 - 18		125 - 85
	125 - 35		12 - 9		115 - 39	WASHER SEAL	77 - 11
	125 - 74		15 - 9		115 - 43	WASHER, SP/M 5	115 - 40
	125 - 102		17 - 3		117 - 10		115 - 44
TUBE/ 6-12	71 - 7		18 - 3		120 - 5		116 - 15
	71 - 11		18 - 4	WASHER, PL/M 6	109 - 5	WASHER, SP/M 6	27 - 11
TUBE/14X130	48 - 15		39 - 17	WASHER, PL/M 8	20 - 20		28 - 12
TUBE/300	31 - 14		60 - 3A		23 - 14		89 - 16
TUBE/60	52 - 20		101 - 5		30 - 9		101 - 9
	53 - 23		102 - 21		30 - 19		104 - 17
	54 - 44		103 - 30		34 - 11		105 - 15
	55 - 14		104 - 22		35 - 50		106 - 16
	56 - 24		112 - 7		35 - 104		107 - 16
	73 - 34		113 - 5		36 - 45		109 - 6
	73 - 52		117 - 14		37 - 49		115 - 22
	121 - 34	WASHER (9X24X1.6)	58 - 33		50 - 5		115 - 48
TURN-BUCKLE COMP	97 - 11A	WASHER / M16	90 - 12		50 - 14	WASHER, SP/M 8	20 - 19
TURNBUCKLE/M8	34 - 13	WASHER / M6	15 - 39		52 - 23		23 - 15
	69 - 16		29 - 3		53 - 25		24 - 11
	69 - 24		29 - 6		54 - 46		25 - 8
	93 - 3		29 - 8		56 - 26		26 - 10
	38 - 35		30 - 12		58 - 21		32 - 32
U-NUT	24 - 5		30 - 21		67 - 16		33 - 12
VALVE	124 - 3		34 - 17		67 - 17		36 - 34
VALVE ASSY	17 - 8		51 - 7		68 - 2		37 - 34
VALVE SEAT, INLET	1 - 7		68 - 5		68 - 8		40 - 21
VALVE, 2ND/A	123 - 76		68 - 16		68 - 13		49 - 9
VALVE, CONTROL	91 - 1		91 - 15		69 - 27		50 - 4
VALVE, CONTROL	123 - 2		101 - 8		73 - 36		50 - 13
	123 - 40		102 - 17		75 - 12		58 - 23
	123 - 75		103 - 26		75 - 16		69 - 8
	124 - 1		104 - 18		76 - 28		75 - 17
	124 - 2		115 - 23		76 - 40		76 - 30
	125 - 2		115 - 49		94 - 22		77 - 16
	125 - 41		123 - 23		95 - 22		81 - 14
	125 - 77		123 - 61		109 - 10		82 - 8
VALVE, EXHAUST	8 - 10		123 - 94		109 - 14		88 - 11
VALVE, FRONT ASSY	89 - 9		125 - 24		109 - 23		94 - 24
VALVE, INTAKE	8 - 9		125 - 63	WASHER, PL/M14	73 - 10		95 - 24
VALVE, RELIEF	89 - 13		125 - 96	WASHER, PL/M4	117 - 8		98 - 19
	94 - 33	WASHER /M12	23 - 10	WASHER, PL/M8	8 - 30		100 - 9
	95 - 35		36 - 11		12 - 10		101 - 20
VALVE, SUB/1	123 - 1		37 - 11		16 - 3		105 - 18
VALVE, SUB/1/H	125 - 1		51 - 4		54 - 22		106 - 19
VALVE, SUB/2	123 - 39		59 - 5		65 - 17		107 - 19
VALVE, SUB/2/H	125 - 40		60 - 3		69 - 19		109 - 9
VELT, V HM/34/FAN	11 - 27		73 - 30		93 - 5		109 - 13
WASHER	3 - 12		75 - 11		102 - 5		109 - 17
	4 - 15	WASHER M6	99 - 7		123 - 10		109 - 32
	4 - 19		112 - 12		123 - 48		109 - 37

DESCRIPTION	REF. NO.	DESCRIPTION	REF. NO.	DESCRIPTION	REF. NO.	DESCRIPTION	REF. NO.
WASHER, SP/M 8	117 - 4	WASHER, SP/M12	51 - 20	WASHER, SPRING/M8	95 - 21	WIRE/1.0X70	52 - 12
WASHER, SP/M10	29 - 20		74 - 11	WASHER, WIRE TENSION	68 - 11		55 - 12
	31 - 6		74 - 28		102 - 15		56 - 3
	32 - 6		75 - 3		103 - 24		58 - 4
	35 - 10		84 - 22	WASHER/11X30X2	104 - 16		69 - 13
	35 - 40		85 - 15	WASHER/13X32X3	60 - 18		73 - 16
	35 - 64		85 - 17		74 - 12		93 - 19
	35 - 94		86 - 22		82 - 15		121 - 29
	36 - 43		87 - 15		97 - 7		121 - 41
	37 - 47		87 - 17		122 - 2	WRENCH, SOCKET/17X19	126 - 2
	41 - 9		89 - 5	WASHER/15X24X2	35 - 35	X-RING	84 - 5
	41 - 17		89 - 18		35 - 89		85 - 5
	41 - 22		102 - 26	WASHER/20X28X2	32 - 23		86 - 5
	58 - 8		103 - 35	WASHER/20X36X03	57 - 9		87 - 5
	58 - 17		104 - 27	WASHER/24X9X3.2	76 - 32	YOKE, LH	67 - 11
	62 - 17		122 - 4	WASHER/26X38X3	67 - 8	YOKE, RH	67 - 12
	64 - 8		123 - 12	WASHER/30X40X2	45 - 6	YOKE, SPLINE B	80 - 4
	65 - 8		123 - 50	WASHER/6X14X3	127 - 5		80 - 8
	66 - 15		125 - 13	WASHER/8X12X2	110 - 6		80 - 12
	74 - 17		125 - 52	WASHER/9X32X2	110 - 4		80 - 12A
	74 - 22	WASHER, SP/M14	74 - 18	WASHER/9X40X3	75 - 16A	YORK, CLUTCH	34 - 20
	74 - 32	WASHER, SP/M16	38 - 16	WASHER/M10	30 - 5		
	77 - 22		39 - 18		31 - 7		
	78 - 37		64 - 26		32 - 7		
	79 - 38		74 - 6		41 - 10		
	82 - 10		90 - 11		41 - 18		
	83 - 6		96 - 17		41 - 23		
	83 - 35	WASHER, SP/M18	74 - 4		58 - 18		
	84 - 7	WASHER, SP/M20	77 - 17		76 - 5		
	84 - 19	WASHER, SP/M6	15 - 40		84 - 20		
	85 - 7		58 - 13		86 - 20		
	86 - 7		102 - 16		88 - 7		
	86 - 19		103 - 25		90 - 15		
	87 - 7		108 - 15		93 - 10		
	88 - 6		124 - 25		98 - 10		
	123 - 38	WASHER, SP/M8	58 - 26		110 - 17		
	123 - 102		60 - 12		123 - 31		
	123 - 106		60 - 25		123 - 69		
	123 - 110		60 - 29		123 - 97		
	125 - 39		92 - 4		125 - 32		
	125 - 104		108 - 18		125 - 71		
	23 - 9		123 - 9	WASHER/M20	125 - 99		
	35 - 7		123 - 28	WHEEL, FLY	82 - 14		
	35 - 61		123 - 47	ASSY	7 - 14		
	36 - 10		123 - 66	WIRE, CLUTCH PTO	37 - 51		
	37 - 10		123 - 82	WIRE, CLUTCH/PTO	36 - 47		
	38 - 51		125 - 10	WIRE, PTO CLUTCH	35 - 52		
	38 - 52		125 - 29		35 - 106		
	38 - 53		125 - 49	WIRE, STOP	29 - 15		
	39 - 7		125 - 68	WIRE/1.0X120	48 - 17		
	51 - 3		125 - 84		76 - 11		
	51 - 11	WASHER, SPRING/M8	78 - 8		80 - 16		
	51 - 14		94 - 21	WIRE/1.0X150	34 - 22		

TU

No. 1602-098-100-00

Printed in Japan October.1990

ISEKI & CO., LTD.

Foreign Affairs Division

3-6, Kioicho, Chiyoda-ku, Tokyo 102, Japan

Telex: 232-2752, 232-2753

Cable address: ISEKIRICE TOKYO

Phone: 03-238-5245-5258