

Directions for use of Parts Catalogue

1. Applicable model of machines

All component and option parts used for TM3160 tractors are listed in this parts catalogue.

1) MODEL TYPE

- F..... FOUR WHEEL DRIVE
 M..... MID PTO.
 R..... FRONT/REAR HITCH & ROPS

2) AREA CODE

- E4..... EUROPE

2. Explanation for head paragraph

KEY	PART CODE	DESCRIPTION	S P C	TYPE OF MODEL						I T C	C O L	G R P	REMARKS
				SSM48M	SSM48F	SSM48G	SRM48M	SRM48F	SRM48G				
1	0595-211-001-20	CASE/UPPER	*	1									
1A	0657-201-081-00	CASE/UPPER	*	1			1						
2	0595-211-002-10	CASE/LOWER	*	1			1						
3	V523-100-801-80	PIN	*				1						
4	V211-260-803-00	BOLT, SEMS	*				1						
			*	2			1						
			*	2			1						
			*	2			1						

- ① KEY shows the location of parts diagramed in the illustration.
- ② Parts numbers begin with `V` and `W` are standard parts of the market.
- ③ `LH` and `RH` on the parts name are described against the moving direction of the machine or are described on the condition how to install parts on the machines.
- ④ SPC : The following symbol classifies parts to be used for machines.
 - `*` means standard parts.
 - `T` shows that the parts can be installed as optional parts.
 - `R` shows that the parts can be used as applicable parts to replace originally equipped parts.

- ⑤ Upper column : QTY shows the number of parts to be used for one unit of machine.

`M` is indicated for parts supplied by a meter long.

`l` is indicated for parts supplied by liter.

`AR` is indicated for parts need to be adjusted or regulated.

Lower column : serial number

—229 means serial number up to 229.

230— means serial number 230 and after.

- ⑥ ITC : Interchangeability

`1`...OLD ← NEW

New parts can be used in place of the old parts.

`2`...OLD → NEW

Old parts can be used in place of the new parts.

`3`...OLD →← NEW

Old parts and new parts can not be replaced each other.

- ⑦ COL : Color code

Color is signified with color code number for colored parts.

Please see the color list shown in the next page.

- ⑧ GRP : Parts shown in this column can be replaced by SET parts.

Example : Parts marked ④ can be replaced by parts marked ⑥, and ⑦ for ⑤, so the rest follow in the same alphabetical order.

- ⑨ Remarks

* Other maker's part code number is shown in this column.

* When Fig. No. is shown in the Remark column of SET parts or ASSY parts, each of their component parts are listed in said Fig. No.

3. Color :

The following colors are used color parts.

COLOR CODE	COLOR	SPRAY TYPE CODE NUMBER	PAINTS 4K DRUM	PAINTS 16K DRUM
4 L	NEO BLUE	1300-985-001-10	1300-985-003-00	—————
5 I	SUNSET GRAY	1300-959-001-10	1300-959-003-00	1300-959-004-00
7 F	MIRROR BLACK	1300-954-001-10	1300-954-003-00	1300-954-004-00

NOTE : Color code is signified only for the parts assigned by the maker as color parts.

4. Serial Numbers :

- 1) For engines serial number is stamped on CYLINDER BLOCK ASSY.

Please see Fig. No. 5-1.

- 2) For chassies serial number is shown on the LABEL.

Please see



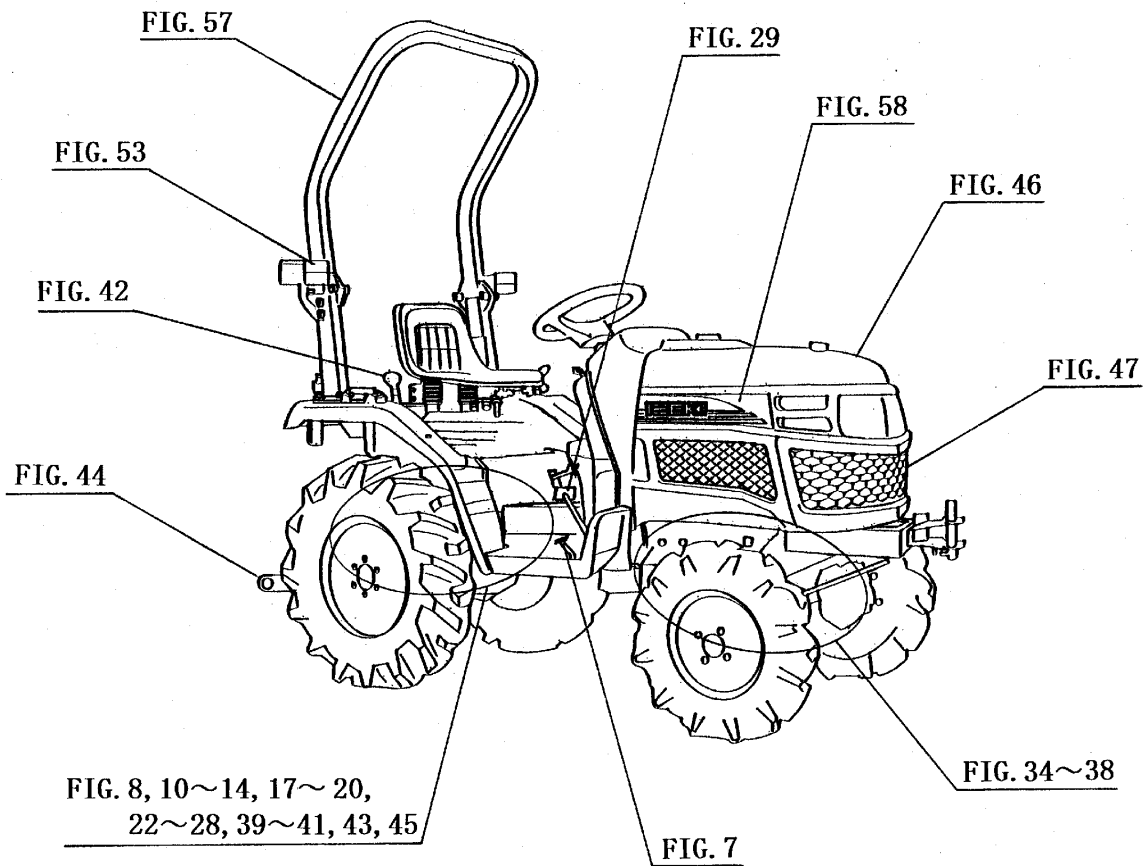
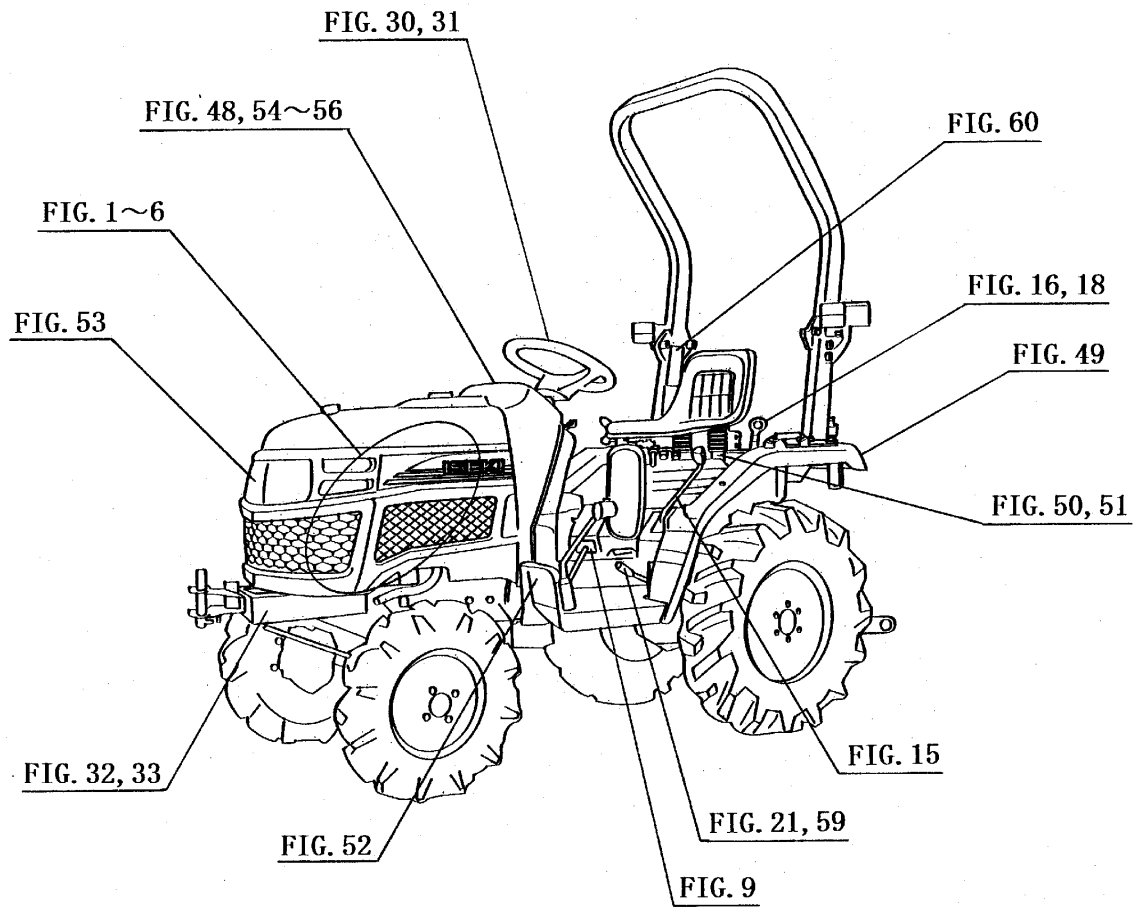
5. Parts Order

- 1) Parts numbers listed in the parts catalogue are all registered in “ISEKI on-line computer”.
- 2) When you order parts, please make sure of correct numbers.
- 3) When substitute parts is available, the part number ordered will be automatically turned to a new part number.
- 4) Please be sure to use “ISEKI GENUINE PARTS”.

Any other similar parts other than ISEKI parts when used may cause a trouble that makes us unable to repair or guarantee the warrant.

*** Structure Table of Model ***

<p>M O D E L</p> <p>FIG.</p>	<p>T M 3 F F F 1 M M R 6 E R E 0 4 E 4 4</p>										
<p>46</p>	<p>* * *</p>										
<p>47</p>	<p>* * *</p>										
<p>48</p>	<p>* * *</p>										
<p>49</p>	<p>* * *</p>										
<p>50</p>	<p>* * *</p>										
<p>51</p>	<p>* * *</p>										
<p>52</p>	<p>* * *</p>										
<p>53</p>	<p>* * *</p>										
<p>54</p>	<p>* * *</p>										
<p>55</p>	<p>* * *</p>										
<p>56</p>	<p>* * *</p>										
<p>57</p>	<p>* *</p>										
<p>58</p>	<p>* * *</p>										
<p>59</p>	<p>* * *</p>										
<p>60</p>	<p>* * *</p>										
<p>61</p>	<p>* * *</p>										
<p>62</p>	<p>T</p>										
<p>63</p>	<p>TTT</p>										
<p>64</p>	<p>TTT</p>										
<p>65</p>	<p>T</p>										
<p>66</p>	<p>TTT</p>										
<p>67</p>	<p>TTT</p>										
<p>68</p>	<p>T</p>										
<p>69</p>	<p>T</p>										
<p>70</p>	<p>TTT</p>										
<p>71</p>	<p>* * *</p>										
<p>72</p>	<p>* * *</p>										



Contents

TM3160

ENGINE(E393B06)

CYLINDER HEAD.....	Fig. 1
CYLINDER HEAD COVER.....	Fig. 2
INLET MANIFOLD.....	Fig. 3
EXHAUST MANIFOLD.....	Fig. 4
CYLINDER BLOCK.....	Fig. 5
BEARING/UNDER SIZE (OPTION).....	Fig. 6
OIL PAN.....	Fig. 7
REAR PLATE.....	Fig. 8
TIMING GEAR CASE.....	Fig. 9
HANGER.....	Fig. 10
VALVE.....	Fig. 11
CAM SHAFT.....	Fig. 12
PISTON.....	Fig. 13
PISTON/OVER SIZE (OPTION).....	Fig. 14
CRANK SHAFT.....	Fig. 15
OIL PUMP.....	Fig. 16
WATER PUMP.....	Fig. 17
COOLING FAN.....	Fig. 18
INJECTION NOZZLE.....	Fig. 19
INJECTION PUMP.....	Fig. 20
FUEL PIPE.....	Fig. 21
ADAPTER.....	Fig. 22
ELECTRIC (1).....	Fig. 23
ELECTRIC (2).....	Fig. 24

REPAIR PARTS (OPTION)..... Fig. 25

COMPONENT PARTS

 FOR 6215-300-037-00 ON Fig.19..... Fig. 26

COMPONENT PARTS

 FOR 6215-600-109-30 ON Fig.20..... Fig. 27

COMPONENT PARTS

 FOR 6281-100-014-00 ON Fig.23..... Fig. 28

COMPONENT PARTS

 FOR 6281-200-007-00 ON Fig.23..... Fig. 29

Contents

CHASSIS

RADIATOR SYSTEM.....	Fig. 1
MUFFLER SYSTEM.....	Fig. 2
AIR CLEANER SYSTEM.....	Fig. 3
FILTER SYSTEM.....	Fig. 4
FUEL TANK SYSTEM.....	Fig. 5
BATTERY SYSTEM.....	Fig. 6
ACCELERATOR SYSTEM.....	Fig. 7
MAIN CLUTCH,INPUT SHAFT SYSTEM.....	Fig. 8
PEDAL (CLUTCH) SYSTEM.....	Fig. 9
CASE (TRANSMISSION) SYSTEM.....	Fig. 10
GEAR (INPUT) SYSTEM.....	Fig. 11
PINION (DRIVE) SYSYTEM.....	Fig. 12
GEAR (REVERSE) SYSTEM.....	Fig. 13
GEAR (4WD) SYSTEM.....	Fig. 14
LEVER (MAIN) SYSTEM.....	Fig. 15
LEVER (SUB) SYSTEM.....	Fig. 16
CHANGE (4WD) SYSTEM.....	Fig. 17
CHANGE (MAIN/SUB) SYSTEM.....	Fig. 18
GEAR (PTO) SYSTEM.....	Fig. 19
SHAFT (PTO) SYSTEM.....	Fig. 20
LEVER (PTO) SYSTEM.....	Fig. 21
SHIELD COVER SYSTEM.....	Fig. 22
MID PTO SYSTEM(1/2)(2/2).....	Fig. 23
DIFF CASE SYSTEM.....	Fig. 24
REAR AXLE HOUSING SYSTEM.....	Fig. 25
SHAFT (WHEEL) SYSTEM.....	Fig. 26
PEDAL (DIFF-LOCK) SYSTEM.....	Fig. 27

BRAKE SYSTEM	Fig. 28
PEDAL (BRAKE) SYSTEM(1/2)(2/2)	Fig. 29
STEERING WHEEL SYSTEM	Fig. 30
STEERING (MANUAL) SYSTEM	Fig. 31
BRACKET (AXLE) SYSTEM	Fig. 32
HITCH (FRONT) SYSTEM (R TYPE)	Fig. 33
SHAFT (DRIVE) SYSTEM	Fig. 34
BEVEL CASE SYSTEM	Fig. 35
AXLE HOUSING SYSTEM	Fig. 36
FINAL GEAR CASE SYSTEM	Fig. 37
TIE ROD SYSTEM	Fig. 38
CASE (CYLINDER) SYSTEM	Fig. 39
LIFT ARM SYSTEM	Fig. 40
CYLINDER SYSTEM	Fig. 41
CONTROL SYSTEM	Fig. 42
PIPING SYSTEM	Fig. 43
LINK (3P) SYSTEM	Fig. 44
HITCH (DRAW BAR) SYSTEM (R TYPE)	Fig. 45
HOOD SYSTEM(1/2)(2/2)	Fig. 46
GRILLE SYSTEM	Fig. 47
STEERING COVER SYSTEM	Fig. 48
FENDER SYSTEM	Fig. 49
SEAT BASE SYSTEM	Fig. 50
FRAME SYSTEM	Fig. 51
STEP SYSTEM	Fig. 52
LAMP SYSTEM	Fig. 53
PANEL SYSTEM	Fig. 54
SWITCH SYSTEM	Fig. 55
HARNESS SYSTEM	Fig. 56
ROPS SYSTEM (R TYPE)	Fig. 57
ORNAMENT, LABEL	Fig. 58
LABEL (CONTROL)	Fig. 59
LABEL (CAUTION)	Fig. 60

TOOLS..... Fig. 61

OPTIONAL PARTS

MID PTO SET (EXCEPT M TYPE)

(OPTION)(1/2)(2/2)..... Fig. 62

REAR WHEEL (TURF) SYSTEM (OPTION)..... Fig. 63

REAR WHEEL SYSTEM (OPTION)..... Fig. 64

HITCH (FRONT) SET (EXCEPT R TYPE)

(OPTION)..... Fig. 65

FRONT WHEEL SYSTEM (OPTION)..... Fig. 66

FRONT WHEEL (TURF) SYSTEM (OPTION)..... Fig. 67

HITCH (DRAW BAR) SET (EXCEPT R TYPE)

(OPTION)..... Fig. 68

ROPS SET (EXCEPT R TYPE) (OPTION)..... Fig. 69

WEIGHT (BUMPER) SYSTEM (OPTION)..... Fig. 70

COMPONENT PARTS

COMPONENT PARTS

FOR K211-001-000-00 ON Fig.41..... Fig. 71

COMPONENT PARTS

FOR 1682-406-210-10 ON Fig.31..... Fig. 72

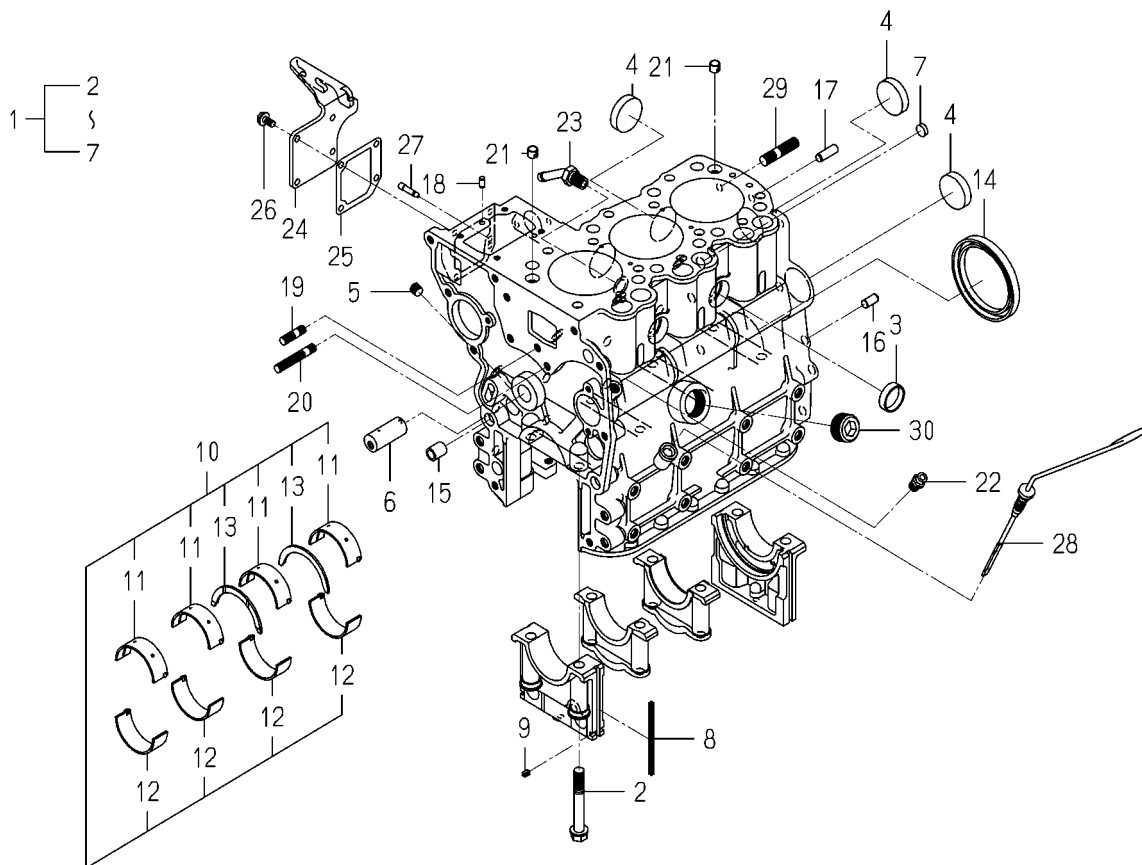
WIRING DIAGRAM (1)

WIRING DIAGRAM (2)

ENGINE

E393B06...TM3160

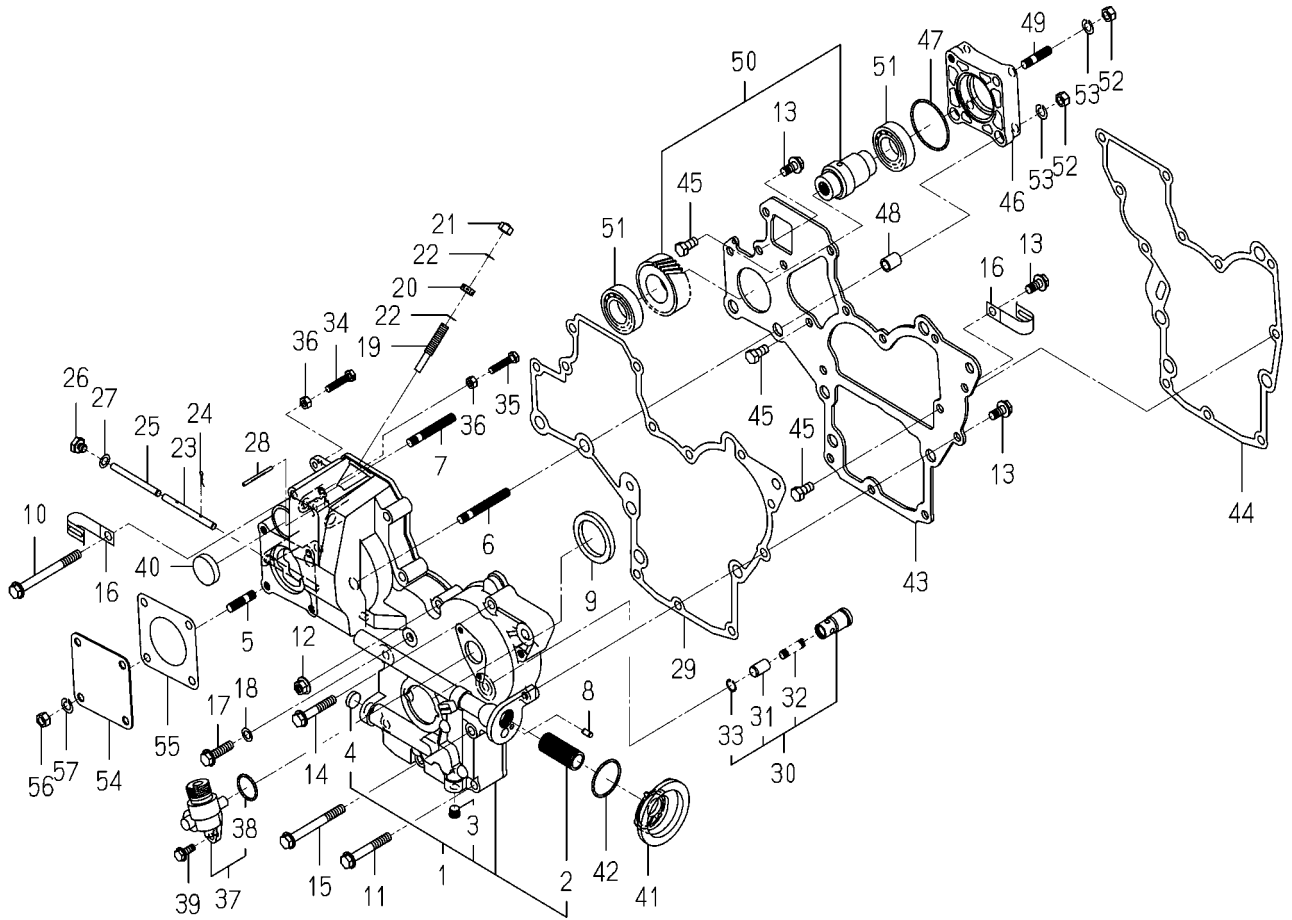
FIG. 5 CYLINDER BLOCK



6003-201Y-0100

KEY	PART CODE	DESCRIPTION	S P C	TYPE OF MODEL		I T C	C O L	G R P	REMARKS
				E393B06					
1	6211-210-050-20	CYLINDERBLOCK ASSY	*	1					
2	6209-000-004-10	BOLT	*	8					
3	6209-610-001-10	CUP/SEALING/28	*	2					
4	6209-610-009-00	CUP/SEALING/36	*	4					
5	6509-605-019-10	PLUG	*	3					
6	6212-531-005-10	PIN/IDLEGEAR	*	1					
7	6209-610-008-00	CUP/SEALING/12	*	1					
8	6211-258-001-00	SEAL, BEARING CAP	*	4					
9	6211-258-002-00	SEAL, BEARING CAP/7	*	2					
10	6211-510-001-00	METAL, CRANK SET	*	1					
11	6211-511-003-00	BEARING/CRANK/UPPER	*	4					
12	6211-511-004-00	BEARING/CRANK/LOWER	*	4					
13	6211-599-001-10	BEARING, THRUST CRANK	*	2					
14	6209-625-012-00	OILSEAL	*	1					
15	6209-749-001-20	PIN/TUBE	*	2					
16	6213-129-006-00	PIN/STRAIGHT	*	1					
17	V523-100-802-40	PIN	*	1					
18	6213-129-005-00	PIN/STRAIGHT	*	2					
19	6904-110-818-00	STUD	*	1					
20	6904-110-840-00	STUD/M8X40	*	1					
21	6294-453-002-00	DOWEL	*	2					
22	6909-902-299-00	NIPPLE	*	1					
23	6213-721-007-00	PIPE/WATERDRAIN	*	1					
24	6211-291-016-00	COVER/INJECTIONPUMP	*	1					
25	6211-292-001-20	GASKET/COVER	*	1					
26	V230-360-601-20	FLANGEBOLT	*	4					
27	6215-549-001-10	PIN, STARTING SPRING	*	1					
28	6211-760-012-20	LEVELGAGE	*	1					
29	6209-300-013-00	STUD	*	2					
30	6209-605-005-10	PLUG/PT3/4	*	1					

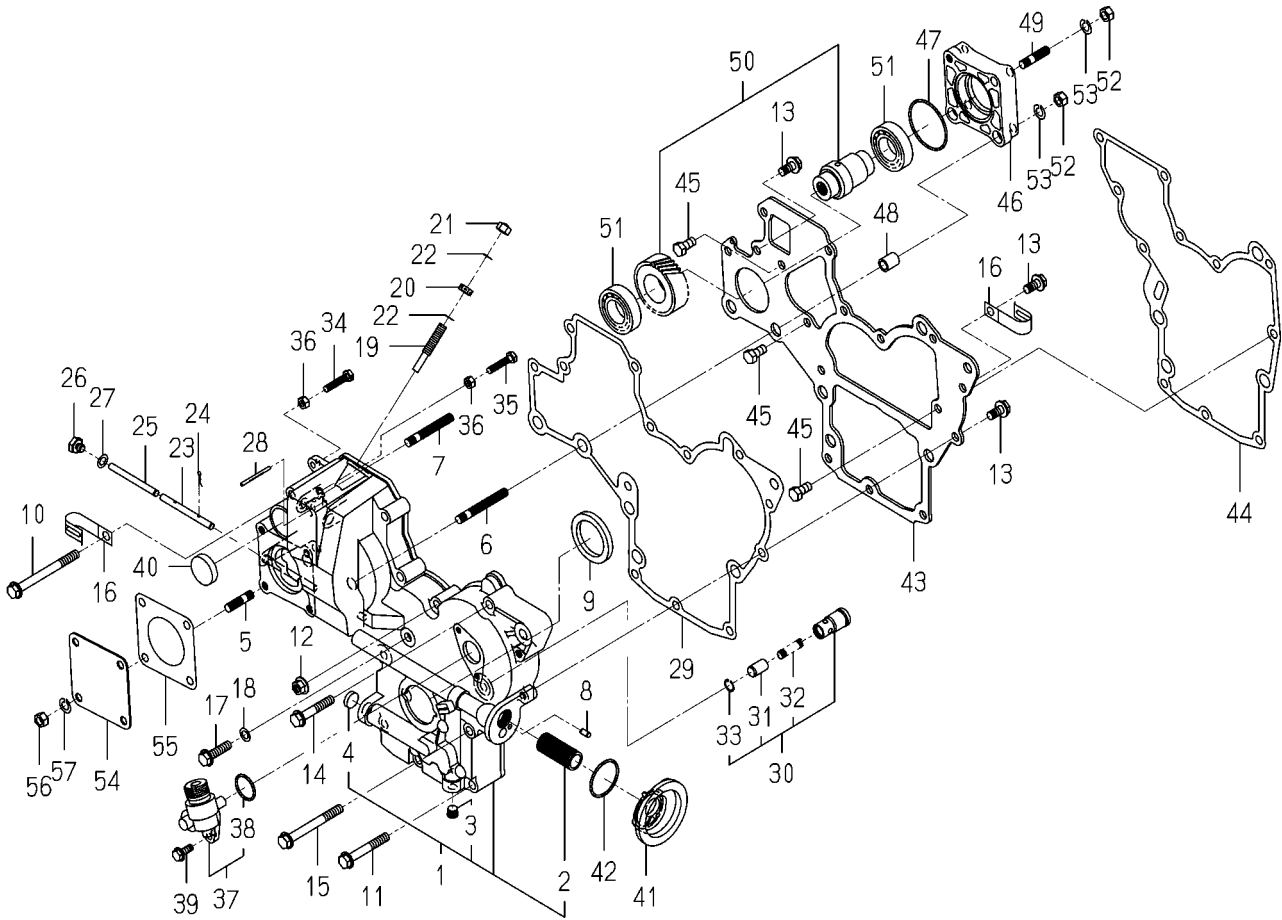
FIG. 9 TIMING GEAR CASE



6003-240H-0100,6003-240H-0200

KEY	PART CODE	DESCRIPTION	S P C	TYPE OF MODEL		I T C	C O L	G R P	REMARKS
				E393B06					
1	6211-310-017-30	GEARCASE ASSY	*	1					
2	6213-319-004-00	CONNECTOR/OILFILTER	*	1					
3	6509-605-019-10	PLUG	*	1					
4	6209-610-002-10	CUP/SEALING/16	*	1					
5	6904-110-822-00	STUD	*	4					
6	6904-110-855-00	STUD	*	2					
7	6904-110-850-00	STUD	*	1					
8	6213-129-005-00	PIN/STRAIGHT	*	1					
9	6209-625-002-00	SEAL,OIL	*	1					
10	V231-360-808-50	FLANGEBOLT	*	1					
11	V231-360-805-50	FLANGEBOLT	*	2					
12	3817-401-001-00	NUT/M08	*	1					
13	V231-360-801-60	FLANGEBOLT	*	3					
14	V231-360-804-50	FLANGEBOLT	*	5					
15	V231-360-807-50	FLANGEBOLT	*	1					
16	1425-621-004-00	HOLDER/JE/9-9	*	2					
17	V231-360-803-00	FLANGEBOLT	*	1					
18	6209-500-003-00	WASHER/08X14X01	*	1					
19	6215-546-003-10	STOPPER/FULLLOAD	*	1					
20	6209-409-001-00	NUT/M8	*	1					
21	V341-120-008-00	NUT,CAP/M 8	*	1					
22	6209-920-002-00	PACKING	*	2					
23	6215-542-004-20	PIN/ARM	*	1					
24	P117-303-003-00	PIN/SNAP	*	2					
25	6215-542-005-10	PIN	*	1					
26	6209-600-004-00	PLUG/SCREW	*	1					
27	6209-500-003-00	WASHER/08X14X01	*	1					
28	6209-740-001-00	PIN,GROOVE	*	1					
29	6211-312-003-20	GASKET/GEARCASE	*	1					
30	6213-160-002-20	VALVE/RELIEF ASSY	*	1					

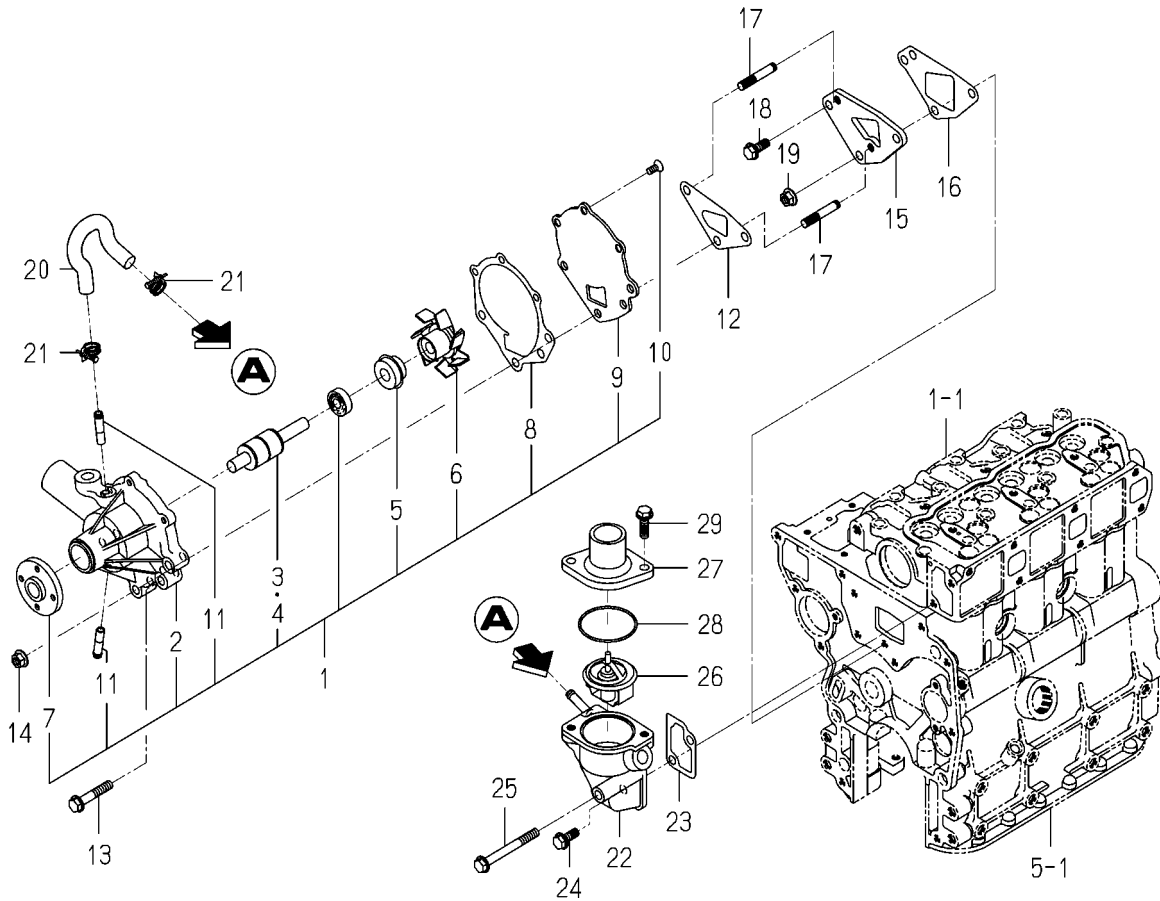
FIG. 9 TIMING GEAR CASE



6003-240H-0100,6003-240H-0200

KEY	PART CODE	DESCRIPTION	S P C	TYPE OF MODEL		I T C	C O L	G R P	REMARKS
				E393B06					
31	6213-161-001-20	PISTON/VALVE/RELIEF	*	1					
32	6213-164-001-00	SPRING/RELIEF VALVE	*	1					
33	V705-140-012-00	RING,SNAP/12 C	*	1					
34	6209-050-001-00	BOLT/M6	*	1					
35	6209-050-002-00	BOLT/M6	*	1					
36	6909-110-406-00	NUT	*	2					
37	6219-310-003-20	DRIVE/TACHOMETE ASSY	*	1					
38	V723-102-002-40	RING/O	*	1					
39	V230-360-601-60	FLANGEBOLT	*	2					
40	3625-540-004-00	CAP,BLANK/30	*	1					
41	6213-211-001-10	SPACER,OIL FILTER	*	1					
42	V723-102-003-60	O-RING	*	1					
43	6211-311-011-20	PLATE/FRONT	*	1					
44	6211-312-002-30	GASKET/PLATE	*	1					
45	6902-050-816-00	BOLT	*	3					
46	6211-319-003-00	SPACER	*	1					
47	V723-102-005-00	O-RING 1A S50	*	1					
48	6209-749-001-20	PIN/TUBE	*	2					
49	6904-110-822-00	STUD	*	1					
50	6212-530-005-20	SHAFT/HYDRAULIC ASSY	*	1					
51	V600-110-600-50	BEARING,RB/6005	*	2					
52	6909-110-408-00	NUT/M8	*	4					
53	V401-160-008-00	WASHER,SP/M 8	*	4					
54	6511-321-083-00	COVER	*	1					
55	6211-322-002-00	GASKET/COVER	*	1					
56	6909-110-408-00	NUT/M8	*	4					
57	V401-160-008-00	WASHER,SP/M 8	*	4					

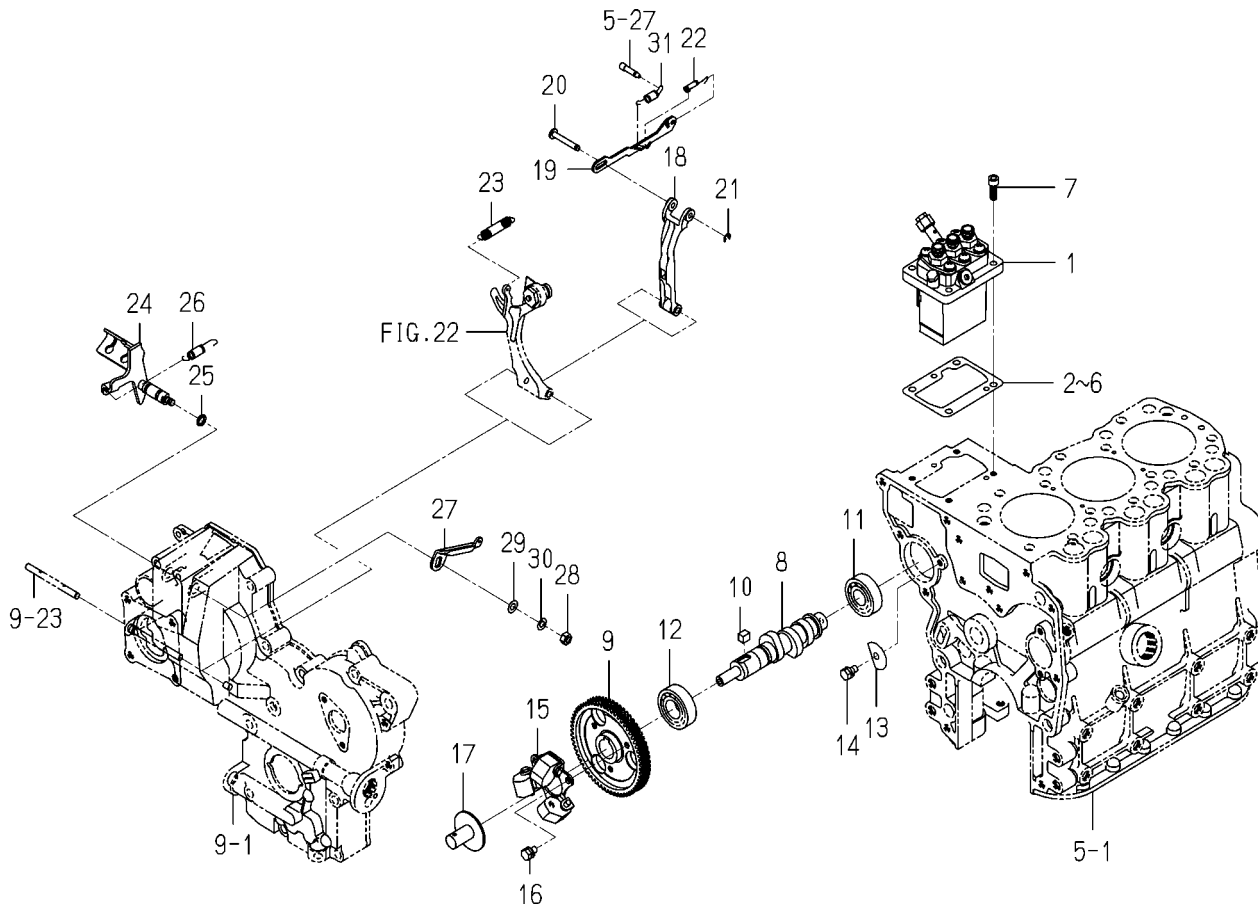
FIG. 17 WATER PUMP



6003-420B-0100

KEY	PART CODE	DESCRIPTION	S P C	TYPE OF MODEL		I T C	C O L	G R P	REMARKS
				E393B06					
1	6213-610-005-40	WATERPUMP ASSY	*	1					
2	6213-611-003-20	BODY/WATERPUMP	*	1					
3	6213-631-002-00	BEARING/WATER PUMP	*	1					
4	6213-631-005-00	BEARING/WATERPUMP	*	1					
5	6213-622-002-10	SEAL SET/WATER PUMP	*	1					
6	6213-621-003-00	ROTOR/WATERPUMP	*	1					
7	6213-642-002-00	SEAL/WATER PUMPPULLE	*	1					
8	6213-613-002-10	GASKET	*	1					
9	6213-612-004-00	PLATE/WATER PUMP	*	1					
10	6213-619-003-00	SCREW/WATER PUMP	*	3					
11	6213-619-002-00	PIPE/WATER PUMP	*	2					
12	6213-614-003-10	GASKET/WATER PUMP	*	1					
13	V231-360-804-50	FLANGEBOLT	*	1					
14	3817-401-001-00	NUT/M08	*	2					
15	6213-619-005-00	SPACER,WATER PUMP	*	1					
16	6213-614-006-10	GASKET/SPACER	*	1					
17	6209-300-002-00	STUD	*	2					
18	V231-360-802-00	FLANGEBOLT	*	1					
19	3817-401-001-00	NUT/M08	*	1					
20	6213-729-013-10	HOSE/RUBBER	*	1					
21	J061-210-015-00	CLAMP/WIRE/10-15	*	2					
22	6213-716-001-50	HOUSING/THERMOSTAT	*	1					
23	6213-743-002-10	GASKET/HOUSING	*	1					
24	V231-360-802-00	FLANGEBOLT	*	1					
25	V231-360-807-50	FLANGEBOLT	*	1					
26	6513-770-022-10	THERMOSTAT	*	1					
27	6213-711-003-20	PIPE,WATER OUTLET	*	1					
28	V723-102-005-50	O-RING	*	1					
29	V231-360-802-50	FLANGEBOLT	*	2					

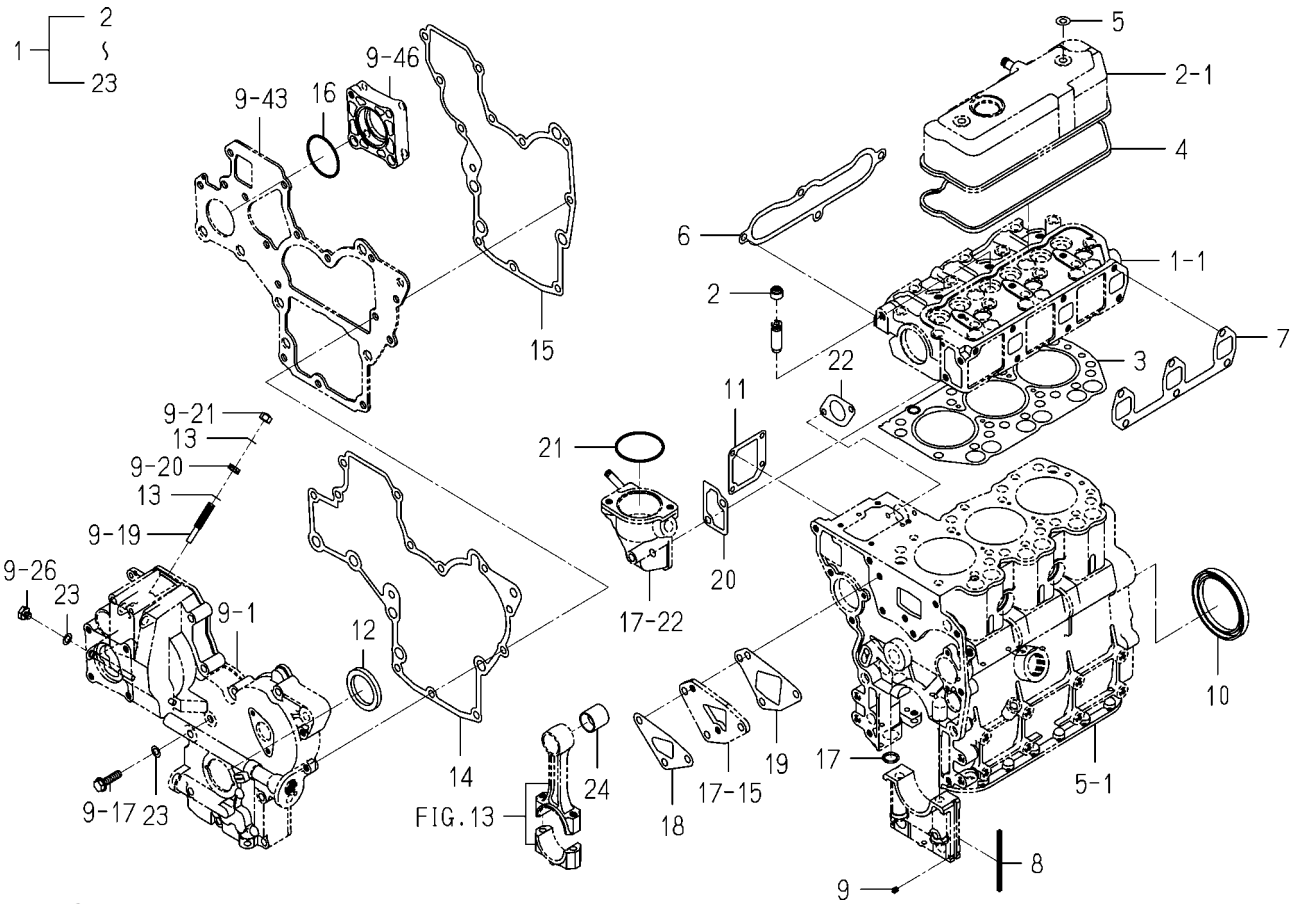
FIG. 20 INJECTION PUMP



6003-510K-0100

KEY	PART CODE	DESCRIPTION	S P C	TYPE OF MODEL		I T C	C O L	G R P	REMARKS
				E393B06					
1	6215-600-109-30	INJECTIONPUMP ASSY	*	1					FIG 027
2	6219-752-001-00	SHIM/INJECTION P/0.3	*	1					
3	6219-752-002-00	SHIM/INJECTION P/0.1	*	1					
4	6219-752-003-00	SHIM/INJECTION P/0.2	*	1					
5	6219-752-004-00	SHIM/INJECTION P/0.4	*	1					
6	6219-752-005-00	SHIM/INJECTION P/0.5	*	1					
7	6209-056-001-00	BOLT/M6X18	*	4					
8	6215-621-001-40	CAMSHAFT/INJPUMP	*	1					
9	6212-524-002-20	GEAR/INJECTIONPUMP	*	1					
10	6209-730-005-00	KEY/07X05X09	*	1					
11	V600-110-620-30	BEARING,RB/6203	*	1					
12	V600-110-600-40	BEARING,RB/6004	*	1					
13	6212-535-002-00	PLATE,THRUST INJPUMP	*	1					
14	6901-910-612-00	BOLT,SEMS/M6X12	*	1					
15	6215-520-001-00	FLYWEIGHT	*	1					
16	6209-030-043-00	BOLT/M6X10	*	3					
17	6215-526-004-00	THRUSTPIECE	*	1					
18	6215-541-001-10	ARM/FLOATING COMP	*	1					
19	6215-543-001-10	LINK,CONTROL	*	1					
20	6215-542-006-00	PIN,CONTROL	*	1					
21	V710-140-004-00	RING,SNAP/ 4 E	*	1					
22	6215-549-003-00	SPRING,SETTING	*	1					
23	6215-531-021-00	SPRING/GOVERNER	*	1					
24	6215-541-024-30	LEVER/CONTROL COMP	*	1					
25	V720-101-900-80	O-RING/P 8	*	1					
26	6209-580-002-10	SPRING,RETURN	*	1					
27	6215-549-007-10	ARM/CONTROL	*	1					
28	6909-110-406-00	NUT	*	1					
29	V411-260-006-00	WASHER / M6	*	1					
30	V401-160-006-00	WASHER,SP/M 6	*	1					

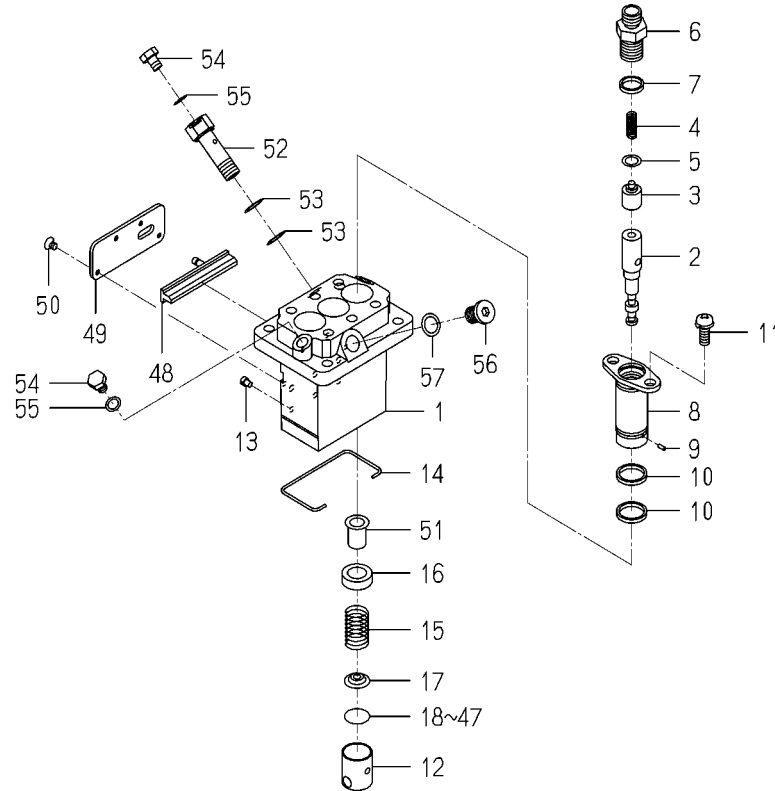
FIG. 25 REPAIR PARTS (OPTION)



6003-999C-0100

KEY	PART CODE	DESCRIPTION	S P C	TYPE OF MODEL		I T C	C O L	G R P	REMARKS
				E393B06					
1	6287-810-026-10	REPAIR/ENGINESET	T	1					
2	6212-569-002-00	SEAL,OIL	T	6					
3	6211-141-008-30	GASKET/CYLINDERHEAD	T	1					
4	6211-173-003-00	SEAL,CYL.HEAD COVER	T	1					
5	6209-572-003-00	GASKET	T	2					
6	6214-115-001-20	GASKET,INLET MANIFOL	T	1					
7	6214-145-001-30	GASKET,EXH.MANIFOLD	T	1					
8	6211-258-001-00	SEAL,BEARING CAP	T	4					
9	6211-258-002-00	SEAL,BEARING CAP/7	T	2					
10	6209-625-012-00	OILSEAL	T	1					
11	6211-292-001-20	GASKET/COVER	T	1					
12	6209-625-002-00	SEAL,OIL	T	1					
13	6209-920-002-00	PACKING	T	2					
14	6211-312-003-20	GASKET/GEARCASE	T	1					
15	6211-312-004-20	GASKET/PLATE	T	1					
16	V723-102-005-00	O-RING 1A S50	T	1					
17	V720-102-401-50	O-RING/P15	T	1					
18	6213-614-003-10	GASKET/WATER PUMP	T	1					
19	6213-614-006-10	GASKET/SPACER	T	1					
20	6213-743-002-10	GASKET/HOUSING	T	1					
21	V723-102-005-50	O-RING	T	1					
22	6209-630-002-10	GASKET	T	1					
23	6209-500-003-00	WASHER/08X14X01	T	2					

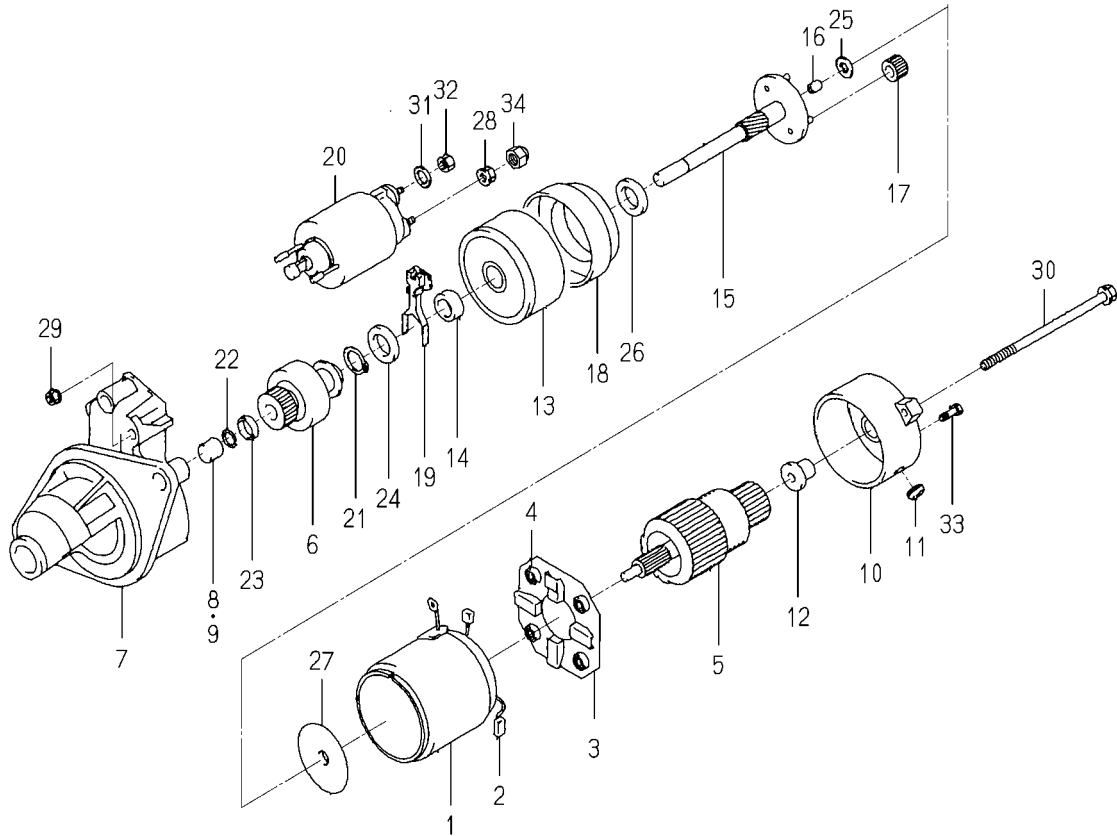
**FIG. 27 COMPONENT PARTS
FOR 6215-600-109-30 ON Fig.20**



6215-600-109-3G

KEY	PART CODE	DESCRIPTION	S P C	TYPE OF MODEL		I T C	C O L	G R P	REMARKS
				E393B06					
1	6215-611-002-00	HOUSING,PUMP	*	1					
2	6215-631-017-00	PLUNGER ASSY	*	3					
3	6215-641-007-00	DELIVERYVALVE	*	3					
4	6215-643-002-00	SPRING DELIVERY VALV	*	3					
5	6215-649-003-00	GASKET	*	3					
6	6215-644-002-00	HOLDER DELIVERY VALV	*	3					
7	6215-649-004-10	ORING	*	3					
8	6215-635-002-00	SLEEVE,FRANGE	*	3					
9	6215-649-005-00	PIN	*	3					
10	6215-649-006-10	ORING	*	6					
11	6215-649-007-00	SCREW	*	6					
12	6215-622-002-00	TAPPET	*	3					
13	6215-629-017-00	PIN	*	3					
14	6215-629-018-00	RING,SNAP	*	1					
15	6215-634-002-00	SPRING,PLUNGER	*	3					
16	6215-639-006-00	SEAT,SPRING	*	3					
17	6215-639-007-00	SEAT,SPRING	*	3					
18	6215-629-020-00	PLATE/T=1.80	*	1					
19	6215-629-021-00	PLATE/T=1.85	*	1					
20	6215-629-022-00	PLATE/T=1.90	*	1					
21	6215-629-023-00	PLATE/T=1.95	*	1					
22	6215-629-024-00	PLATE/T=2.00	*	1					
23	6215-629-025-00	PLATE/T=2.05	*	1					
24	6215-629-026-00	PLATE/T=2.10	*	1					
25	6215-629-027-00	PLATE/T=2.15	*	3					
26	6215-629-028-00	PLATE/T=2.20	*	1					
27	6215-629-029-00	PLATE/T=2.25	*	1					
28	6215-629-030-00	PLATE/T=2.30	*	1					
29	6215-629-031-00	PLATE/T=2.35	*	1					
30	6215-629-032-00	PLATE/T=2.40	*	1					

**FIG. 28 COMPONENT PARTS
FOR 6281-100-014-00 ON Fig.23**



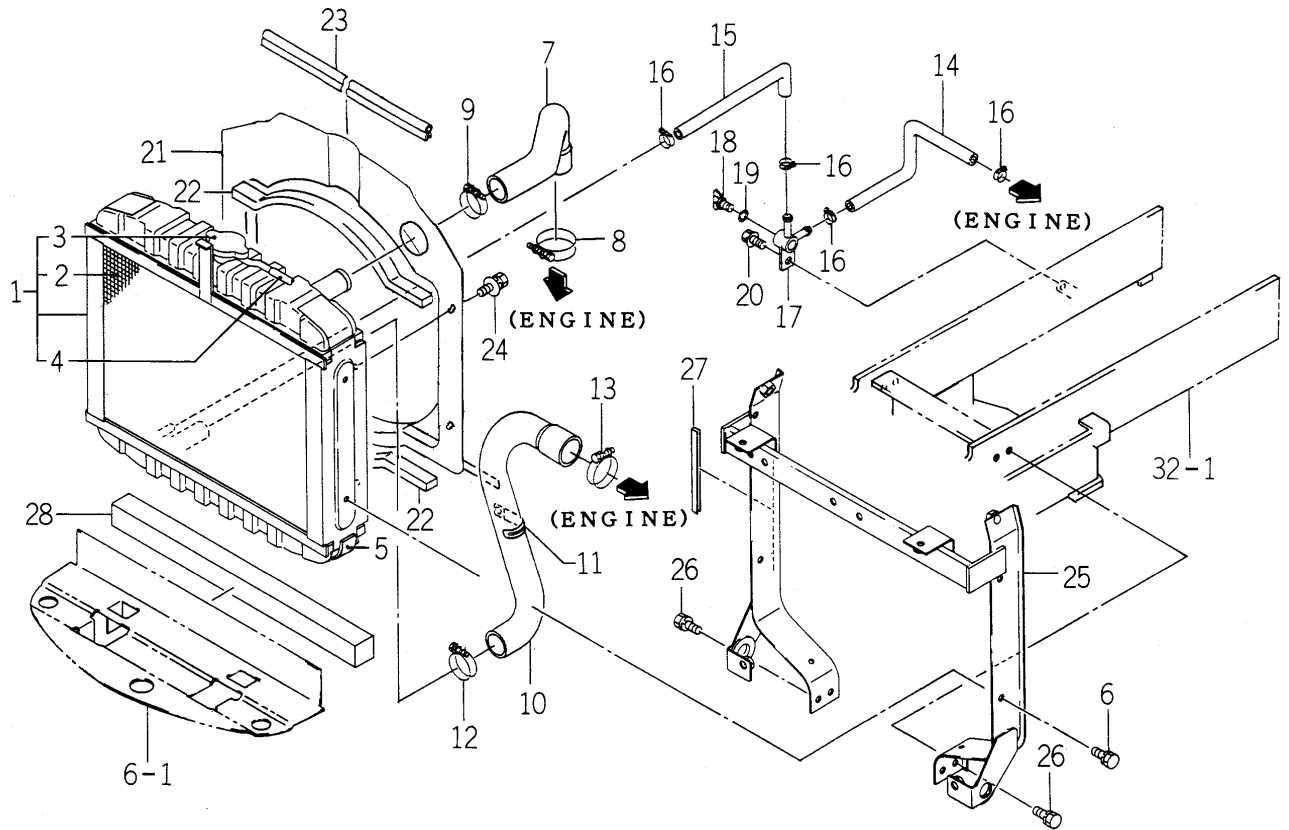
6281-100-014-0A

KEY	PART CODE	DESCRIPTION	S P C	TYPE OF MODEL		I T C	C O L	G R P	REMARKS
				E393B06					
1	6281-111-009-00	YOKE/STARTER ASSY	*	1					
2	6281-119-009-00	BRUSH/STARTER	*	2					
3	6281-118-007-00	HOLDER/STARTER ASSY	*	1					
4	6281-117-003-00	SPRING/STARTERBRUSH	*	4					
5	6281-121-010-00	ARMATURE/STARTE ASSY	*	1					
6	6281-124-011-00	CLUTCH/STARTER ASSY	*	1					
7	6281-129-064-00	HOUSING/STARTER ASSY	*	1					
8	6281-129-080-00	BEARING/NEEDLE	*	1					
9	6281-129-058-00	BEARING/NEEDLE	*	1					
10	6281-115-017-00	FRAME/COMMUTATOR END	*	1					
11	6281-115-018-00	COVER	*	1					
12	6281-129-065-00	BEARING/OILLESS	*	1					
13	6281-129-066-00	BEARING/WITH SHOCKAB	*	1					
14	6281-129-067-00	BEARING/OILLESS	*	1					
15	6281-129-068-00	SHAFT/STARTER PLANET	*	1					
16	6281-129-069-00	BEARING/OILLESS	*	1					
17	6281-129-070-00	GEAR/STARTER PLANETA	*	3					
18	6281-129-071-00	GEAR/STARTERINTERNAL	*	1					
19	6281-127-003-00	LEVER/PINIONDRIVE	*	1					
20	6281-151-014-00	SWITCH/MAGNETIC ASSY	*	1					
21	6281-129-072-00	RING/SNAP	*	1					
22	6281-129-073-00	RING/SNAP	*	1					
23	6281-129-074-00	NUT/PINIONSTOP	*	1					
24	6281-129-075-00	WASHER/SK	*	1					
25	6281-129-076-00	WASHER/SK	*	1					
26	6281-129-077-00	WASHER/SK	*	1					
27	6281-129-078-00	PLATE	*	1					
28	6281-129-030-00	NUT	*	1					
29	6281-129-029-00	NUT	*	2					
30	6281-129-043-00	BOLT/THROUGH	*	2					

CHASSIS

CHASSIS

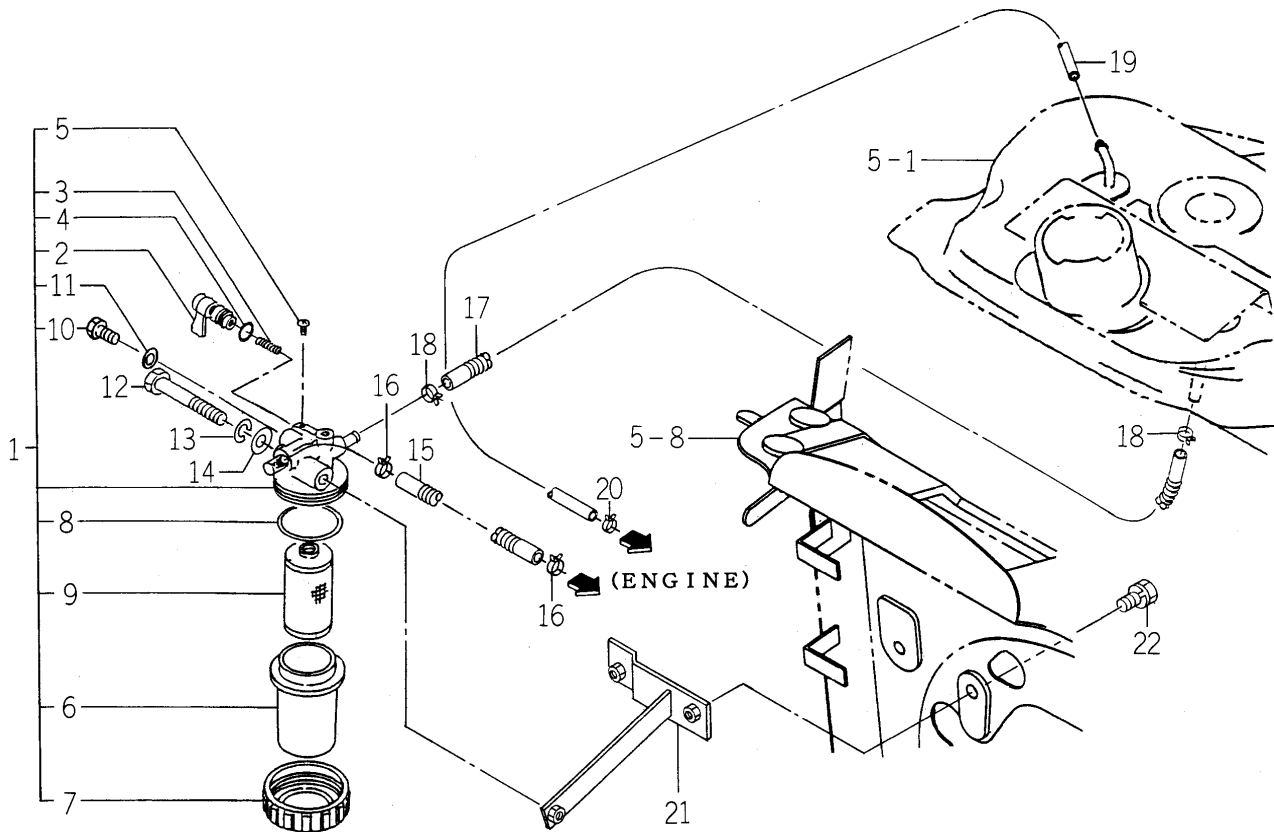
FIG. 1 RADIATOR SYSTEM



1738-102-0100

KEY	PART CODE	DESCRIPTION	S P C	TYPE OF MODEL		I T C	C O L	G R P	REMARKS
				TM3160					
1	1726-102-210-00	RADIATOR ASSY	*	1					
2	1726-102-211-00	NET/WIRE COMP	*	1					
3	1614-102-213-00	CAP	*	1					
4	1614-102-214-00	HOSE	*	1					
5	1612-102-005-00	INSULATOR	*	1					
6	V211-260-801-60	BOLT,SEMS (S) M8X16	*	4					
7	1675-102-004-00	HOSE/RADIATOR/INLET	*	1					
8	J061-236-044-00	CLAMP/WIRE/36-44	*	1					
9	J061-230-038-00	CLAMP/WIRE/30-38	*	1					
10	1675-102-006-00	HOSE/RADIATOR/OUTLET	*	1					
11	1425-621-004-00	HOLDER/JE/9-9	*	1					
12	J061-224-032-00	CLAMP/WIRE/24-32	*	1					
13	J061-236-044-00	CLAMP/WIRE/36-44	*	1					
14	1617-102-005-00	HOSE/170	*	1					
15	1560-104-006-60	HOSE/290	*	1					
16	J061-210-015-00	CLAMP/WIRE/10-15	*	4					
17	1560-104-010-40	CONNECTOR	*	1					
18	1424-101-203-00	PLUG	*	1					
19	1424-101-204-00	PACKING	*	1					
20	V211-360-802-00	BOLT/SP	*	1					
21	1683-102-220-00	SHROUD COMP	*	1					
22	1675-102-002-00	INSULATOR	*	2					
23	1716-102-003-00	INSULATOR/550	*	1					
24	V210-360-601-20	BOLT,SEMS	*	4					
25	1726-102-200-10	BRACKET/RADIATO COMP	*	1					
26	V211-260-801-60	BOLT,SEMS (S) M8X16	*	4					
27	1705-102-014-00	TRIM/130	*	1					
28	1726-102-001-00	INSULATOR	*	1					

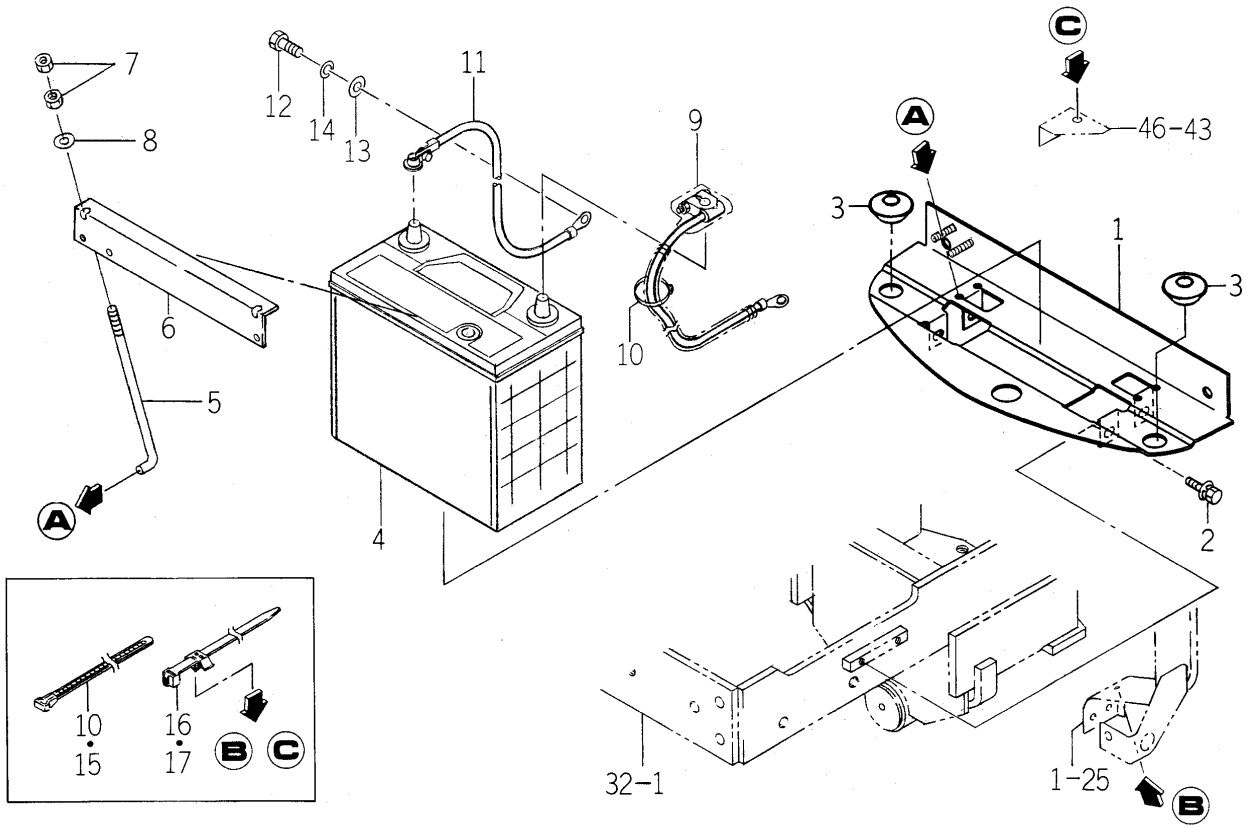
FIG. 4 FILTER SYSTEM



1738-105-0100

KEY	PART CODE	DESCRIPTION	S P C	TYPE OF MODEL		I T C	C O L	G R P	REMARKS
				TM3160					
1	1509-105-210-00	FILTER/FUEL	*	1					
2	1444-102-202-00	LEVER	*	1					
3	1415-102-007-00	SPRING, VALVE	*	1					
4	V720-102-401-00	O-RING/P10A	*	1					
5	1415-102-008-00	VIS	*	1					
6	1440-103-201-00	CAP	*	1					
7	1444-102-204-00	NUT, RING	*	1					
8	V720-103-504-40	O-RING/P44	*	1					
9	1672-105-211-00	ELEMENT	*	1					
10	1572-102-003-00	BOLT/M06X08/APSET	*	2					
11	1415-102-013-00	PACKING	*	2					
12	V201-260-806-50	BOLT/M 8X65	*	1					
13	V401-160-008-00	WASHER, SP/M 8	*	1					
14	V411-260-008-00	WASHER, PL/M 8	*	1					
15	1716-105-001-00	HOSE/08X13X300	*	1					
16	J062-119-126-00	CLIP/HOSE/11.9-12.6	*	2					
17	1726-105-001-10	HOSE/08X13X110	*	1					
18	J062-119-126-00	CLIP/HOSE/11.9-12.6	*	2					
19	1612-105-002-00	HOSE/650	*	1					
20	J062-081-087-00	CLIP/HOSE/8.1-8.7	*	1					
21	1738-105-210-00	BRACKET/FILTER COMP	*	1					
22	V211-260-801-60	BOLT, SEMS (S) M8X16	*	2					

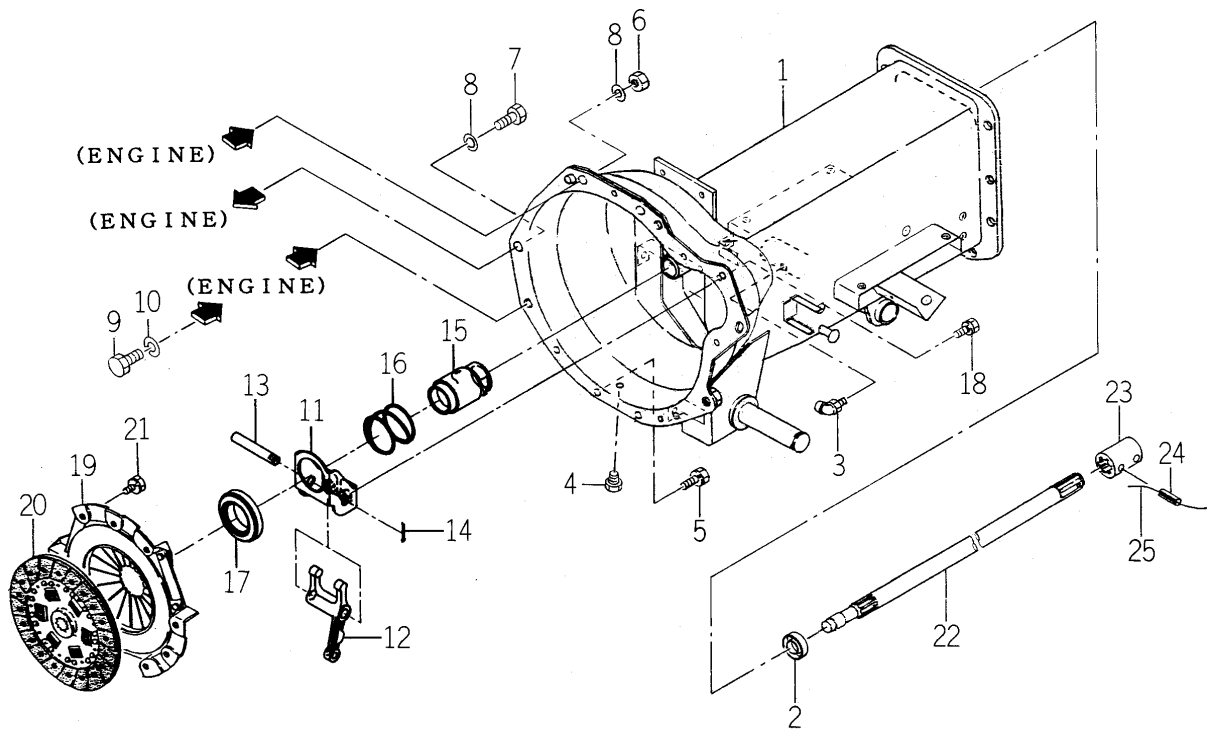
FIG. 6 BATTERY SYSTEM



1738-112 -0100

KEY	PART CODE	DESCRIPTION	S P C	TYPE OF MODEL		I T C	C O L	G R P	REMARKS
				TM3160					
1	1738-112-210-00	BRACKET/BATTERY COMP	*	1					
2	V211-360-801-60	BOLT,SEMS (SP)	*	6					
3	1421-603-004-00	BUSH,LEVER	*	2					
4	1726-112-210-00	BATTERY/46B24R ASSY	*	1					
5	1675-112-002-00	BOLT/BATTERY	*	2					
6	1682-112-006-10	PLATE/BATTERY	*	1					
7	V301-260-006-00	NUT/M 6	*	4					
8	V411-260-006-00	WASHER / M6	*	2					
9	1716-112-230-00	CABLE/BATTERY ASSY	*	1					
10	1376-402-003-00	BAND,WIRE/140	*	1					
11	1726-112-002-10	CABLE/EARTH	*	1					
12	V201-261-001-60	BOLT/M10X16	*	1					
13	V411-260-010-00	WASHER/M10	*	1					
14	V401-160-010-00	WASHER,SP/M10	*	1					
15	1376-402-003-00	BAND,WIRE/140	*	1					
16	1560-666-004-00	BAND	*	1					
17	1560-666-004-00	BAND	*	1					

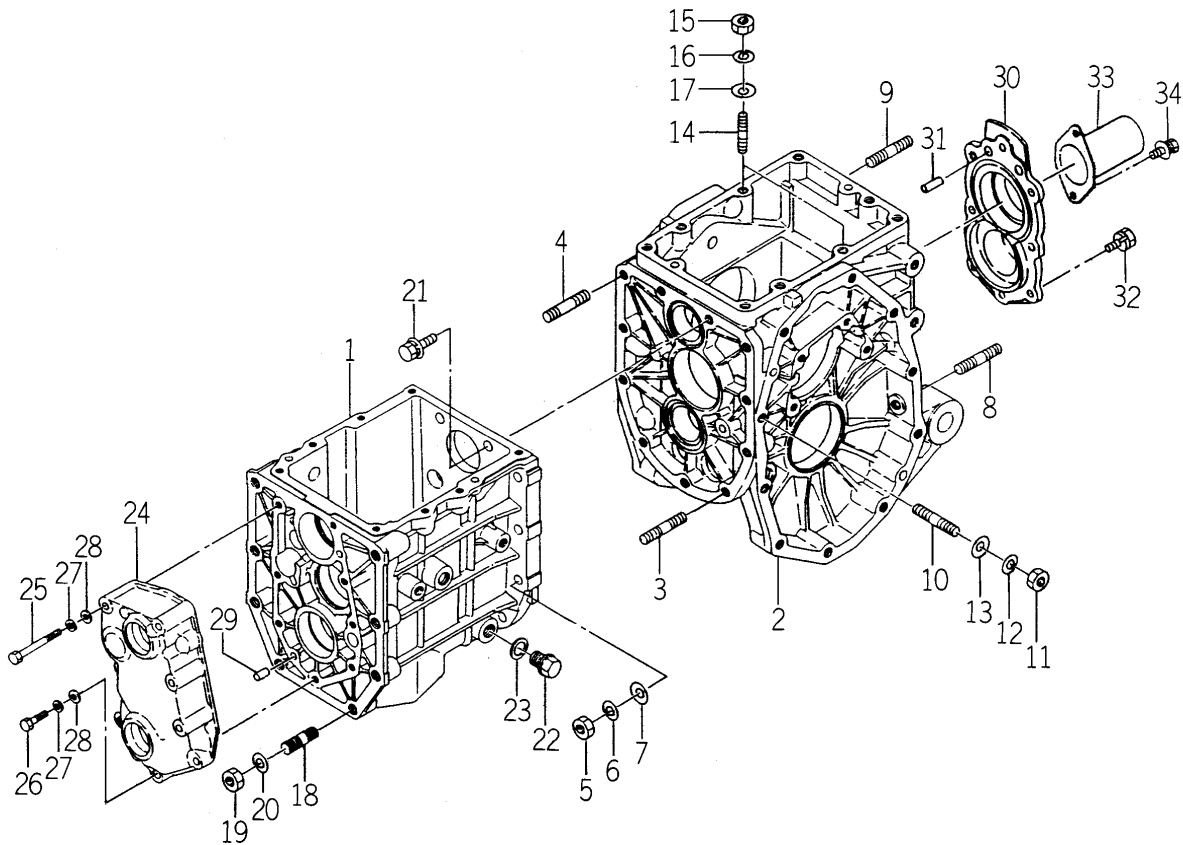
FIG. 8 MAIN CLUTCH, INPUT SHAFT SYSTEM



1738-120 -0100,1738-125 -0100

KEY	PART CODE	DESCRIPTION	S P C	TYPE OF MODEL		I T C	C O L	G R P	REMARKS
				TM3160					
1	1738-120-210-20	HOUSING/CLUTCH COMP	*	1					
2	V744-120-350-70	SEAL,OIL/TC20357	*	1					
3	V763-150-000-00	NIPPLE,GREASE/PT1/8	*	1					
4	V782-160-000-2T	PLUG/SCREW/SEAL	*	1					
5	V211-260-801-60	BOLT,SEMS (S) M8X16	*	4					
6	V334-460-010-00	NUT/M10 7T P=1.25	*	2					
7	V203-361-002-00	BOLT/M10X1.25X20	*	2					
8	V401-160-010-00	WASHER,SP/M10	*	4					
9	V201-361-202-50	BOLT/M12X25	*	2					
10	V401-160-012-00	WASHER,SP/M12	*	2					
11	1434-122-230-10	BRACKET COMP	*	1					
12	1435-122-002-00	FORK/RELEASE	*	1					
13	1672-120-006-00	PIN/12X75	*	1					
14	V500-163-002-00	PIN,SPLIT/3 X20	*	1					
15	1672-120-007-00	SLEEVE	*	1					
16	1434-120-005-00	SPRING/HC50	*	1					
17	1491-120-001-00	BEARING,CLUTCH RS	*	1					
18	V211-260-801-60	BOLT,SEMS (S) M8X16	*	2					
19	1716-120-200-00	COVER/CLUTCH/18 COMP	*	1					
20	1717-120-230-10	DISK/CLUTCH/184 COMP	*	1					
21	V211-260-802-00	BOLT/S	*	6					
22	1682-120-001-00	SHAFT/INPUT	*	1					
23	1435-120-002-30	COUPLING/16X27X62	*	1					
24	V580-140-602-80	PIN,SPRING/6 X28 W	*	2					
25		WIRE	*	1					

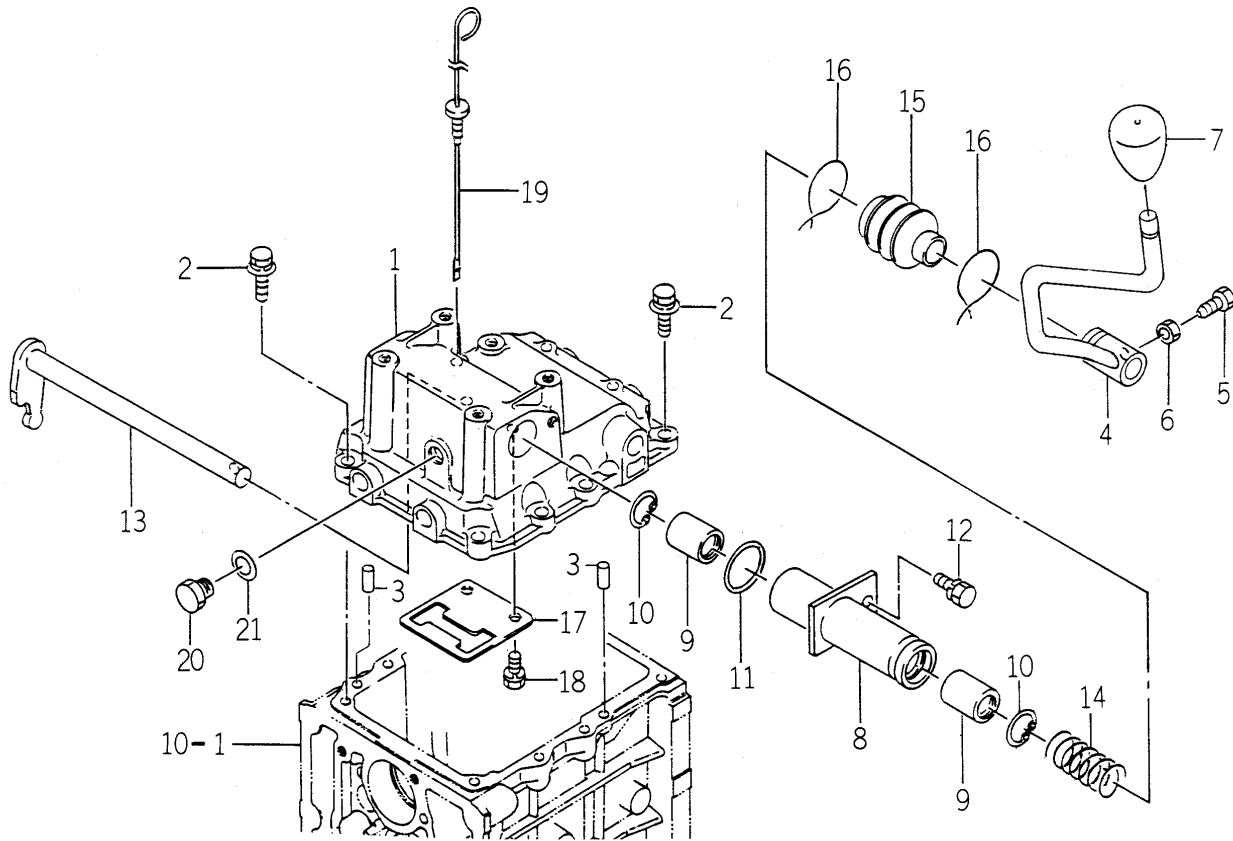
FIG. 10 CASE (TRANSMISSION) SYSTEM



1738-201 -0100

KEY	PART CODE	DESCRIPTION	S P C	TYPE OF MODEL		I T C	C O L	G R P	REMARKS
				TM3160					
1	1682-201-001-10	CASE/TRANSMISSION/F	*	1					
2	1688-201-055-10	CASE/TRANSMISSION/RE	*	1					
3	V252-341-003-00	BOLT/STUD	*	2					
4	V252-341-003-50	BOLT/M10X35	*	7					
5	V304-260-010-00	NUT	*	9					
6	V401-160-010-00	WASHER,SP/M10	*	9					
7	V411-260-010-00	WASHER/M10	*	9					
8	V251-261-202-5D	BOLT/STUD/SEAL	*	2					
9	V252-341-202-50	BOLT/STUD	*	4					
10	V252-261-005-50	BOLT/M10X55	*	4					
11	V304-260-010-00	NUT	*	4					
12	V401-160-010-00	WASHER,SP/M10	*	4					
13	V411-260-010-00	WASHER/M10	*	4					
14	V252-341-003-00	BOLT/STUD	*	2					
15	V304-260-010-00	NUT	*	2					
16	V401-160-010-00	WASHER,SP/M10	*	2					
17	V411-260-010-00	WASHER/M10	*	2					
18	V252-341-203-00	BOLT/M12X30	*	8					
19	V304-460-012-00	NUT/M12	*	8					
20	V401-160-012-00	WASHER,SP/M12	*	8					
21	V211-361-003-50	BOLT/M10X35	*	2					
22	1427-201-007-00	PLUG,DRAIN	*	1					
23	1427-201-008-00	WASHER,SEAL/16	*	1					
24	1427-201-005-00	METAL/INPUT	*	1					
25	V201-260-806-00	BOLT/M 8X60	*	4					
26	V201-260-803-50	BOLT/M 8X35	*	4					
27	V401-160-008-00	WASHER,SP/M 8	*	8					
28	V411-260-008-00	WASHER,PL/M 8	*	8					
29	V522-100-801-80	PIN	*	2					
30	1688-201-056-00	METAL/PTO	*	1					

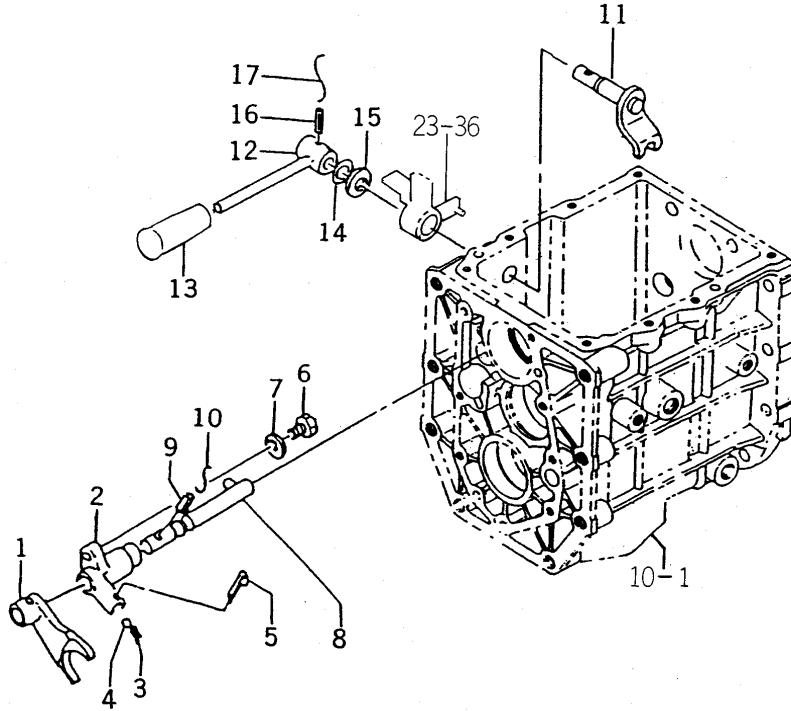
FIG. 15 LEVER (MAIN) SYSTEM



1738-207 -0100,1672-207A-0100

KEY	PART CODE	DESCRIPTION	S P C	TYPE OF MODEL		I T C	C O L	G R P	REMARKS
				TM3160					
1	1672-207-001-10	METAL/SHIFT	*	1					
2	V211-360-803-00	BOLT/SP	*	8					
3	V522-100-801-80	PIN	*	2					
4	1738-207-200-10	LEVER/MAIN COMP	*	1					
5	1600-502-003-00	BOLT,SM/M08X25	*	1					
6	V304-260-008-00	NUT	*	1					
7	1636-271-013-00	GRIP/12X50	*	1					
8	1672-207-240-00	TUBE/SHIFT/MAIN COMP	*	1					
9	1544-215-015-00	BEARING	*	2					
10	V705-140-028-00	RING,SNAP/28 C	*	2					
11	V723-102-003-00	O-RING	*	1					
12	V211-260-802-00	BOLT/S	*	1					
13	1672-207-230-00	ARM/SHIFT/MAIN COMP	*	1					
14	1614-215-006-00	SPRING/HC060	*	1					
15	1544-215-016-00	BOOT,CHANGE	*	1					
16		WIRE	*	2					
17	1672-207-002-10	PLATE/GUIDE	*	1					
18	V211-560-802-00	BOLT/M8X20	*	2					
19	1614-501-006-00	GAUGE/OIL	*	1					
20	1564-667-002-00	BLOT/M14X10	*	1					
21	1488-541-021-00	SHIM/T=0.7	*	1					

FIG. 17 CHANGE (4WD) SYSTEM

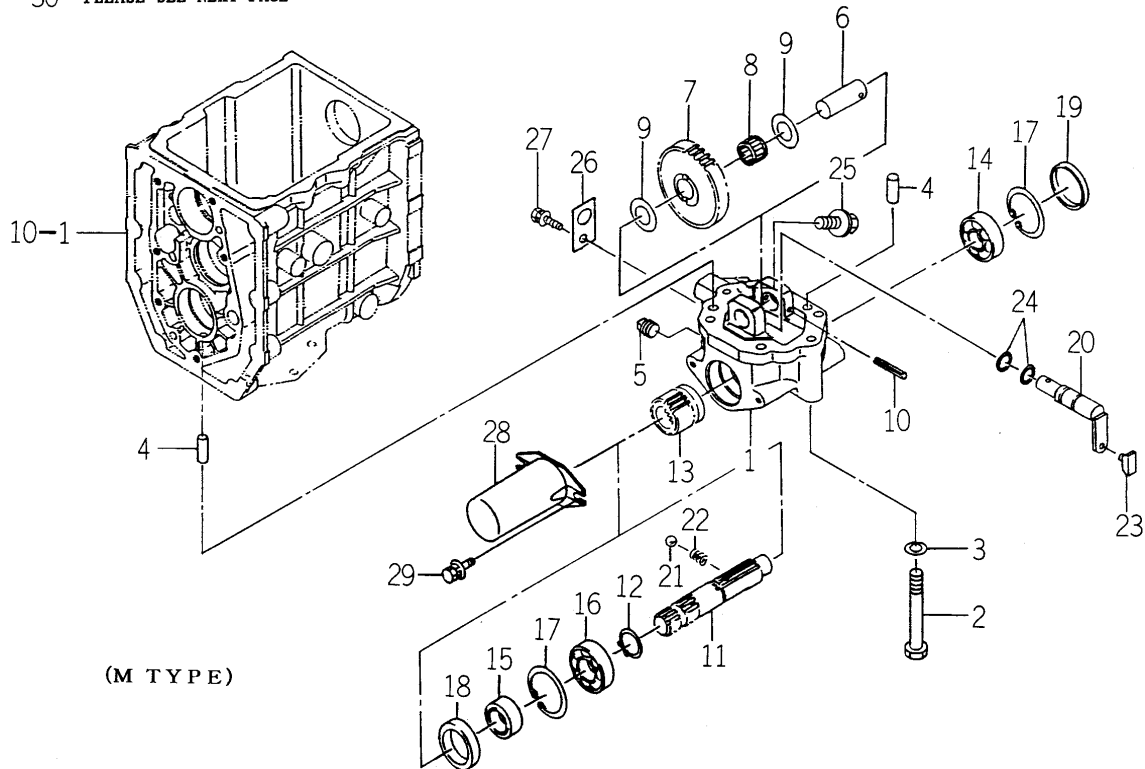


1738-209 -0100

KEY	PART CODE	DESCRIPTION	S P C	TYPE OF MODEL		I T C	C O L	G R P	REMARKS
				TM3160					
1	1427-210-008-10	FORK/SHIFT/FRONT	*	1					
2	1427-210-009-00	CASE,SPRING	*	1					
3	1302-225-003-00	SPRING,SHIFTER	*	1					
4	V682-200-001-00	BALL	*	1					
5	V500-162-002-00	PIN,SPLIT/2 X20	*	1					
6	1427-210-011-00	BOLT/M8X30	*	1					
7	V411-260-008-00	WASHER,PL/M 8	*	1					
8	1427-210-200-00	STAY,SHIFTER	*	1					
9	V580-140-502-00	PIN,SPRING/5 X20 W	*	1					
10		WIRE	*	1					
11	1427-209-200-00	ARM,SHIFT	*	1					
12	1682-209-200-20	LEVER/4WD COMP	*	1					
13	2173-820-003-00	GRIP/ORANGE/10.5	*	1					
14	V720-102-401-40	O-RING/P14	*	1					
15	1427-601-003-00	WASHER/15X24X2	*	1					
16	V580-140-503-20	PIN,SPRING/5 X32 W	*	1					
17		WIRE	*	1					

FIG. 23 MID PTO SYSTEM(1/2)

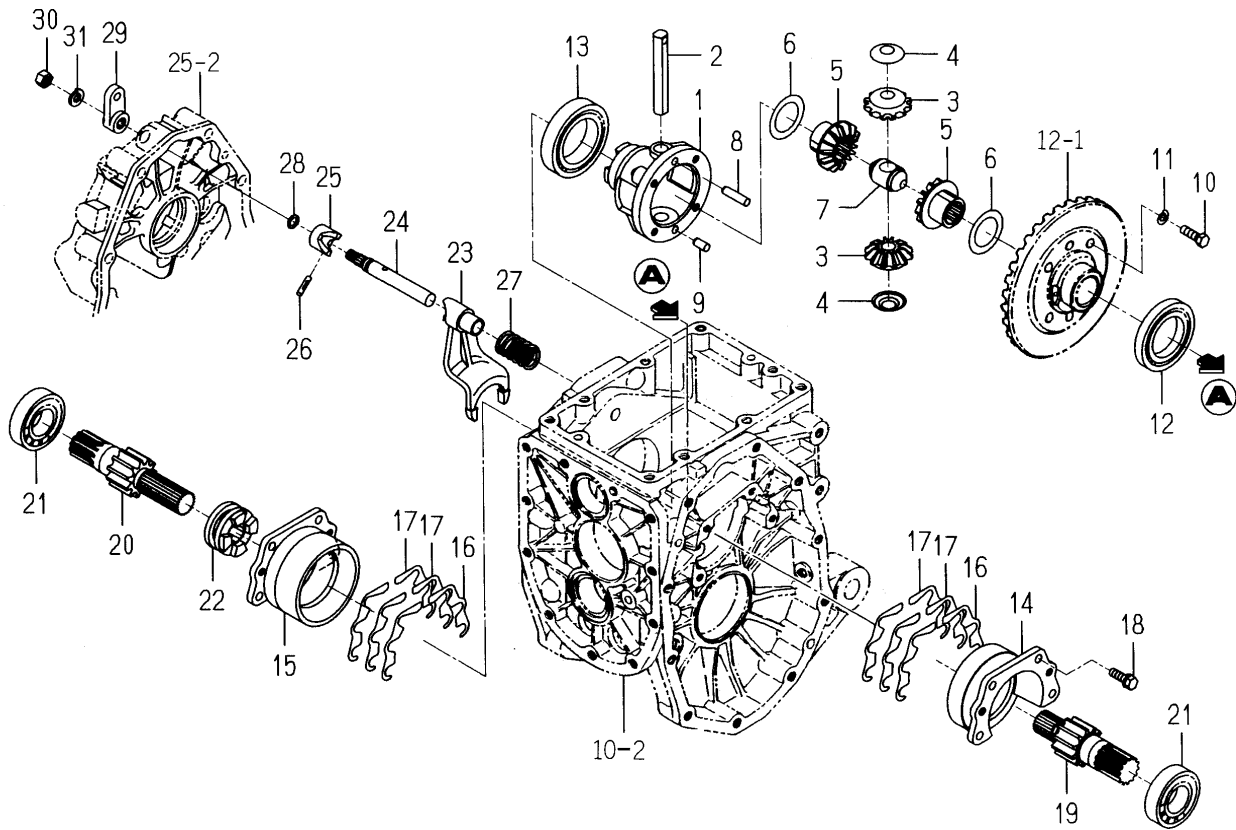
30— PLEASE SEE NEXT PAGE



1738-255-0100,1682-255A-0100

KEY	PART CODE	DESCRIPTION	S P C	TYPE OF MODEL		I T C	C O L	G R P	REMARKS
				TM3160					
1	1682-255-201-10	CASE/PTO/MID	*	1					
2	V201-361-009-00	BOLT/M10X90	*	6					
3	V401-160-010-00	WASHER,SP/M10	*	6					
4	V523-101-002-40	PIN	*	2					
5	V781-160-000-6B	PLUG/SCREW/SEAL	*	1					
6	1682-255-203-00	PIN/20X51	*	1					
7	1682-255-202-00	GEAR/SPUR/34	*	1					
8	1682-255-002-20	BEARING/NEEDLE	*	1					
9	1480-212-003-00	COLLAR/21X36X1	*	2					
10	V580-140-604-00	PIN,SPRING/6 X40 W	*	1					
11	1682-255-204-00	SHAFT/PTO/MID	*	1					
12	V704-140-025-00	RING,SNAP/25 C	*	1					
13	1682-255-205-10	GEAR/SPUR/15	*	1					
14	V600-110-630-40	BEARING,RB/6304	*	1					
15	1427-212-003-20	SLEEVE	*	1					
16	V600-110-620-50	BEARING,RB/6205	*	1					
17	V705-140-052-00	RING,SNAP/52 C	*	2					
18	V744-135-520-80	SEAL,OIL/TC35528	*	1					
19	3625-701-003-00	CAP,BLANK/52	*	1					
20	1682-255-210-40	ARM/SHIFT/MID COMP	*	1					
21	V682-200-001-00	BALL	*	1					
22	1302-225-003-00	SPRING,SHIFTER	*	1					
23	2703-101-020-00	COLLAR,SHIFTER	*	1					
24	V720-102-401-40	O-RING/P14	*	2					
25	V233-361-201-60	FLANGEBOLT	*	1					
26	1620-255-208-00	PLATE/I/30X50	*	1					
27	V211-360-801-60	BOLT,SEMS (SP)	*	1					
28	1444-314-009-10	CAP,PTO SHAFT	*	1					
29	V210-360-602-00	BOLT/SP	*	2					
30	1738-255-310-10	LEVER/PTO/MID COMP	*	1					

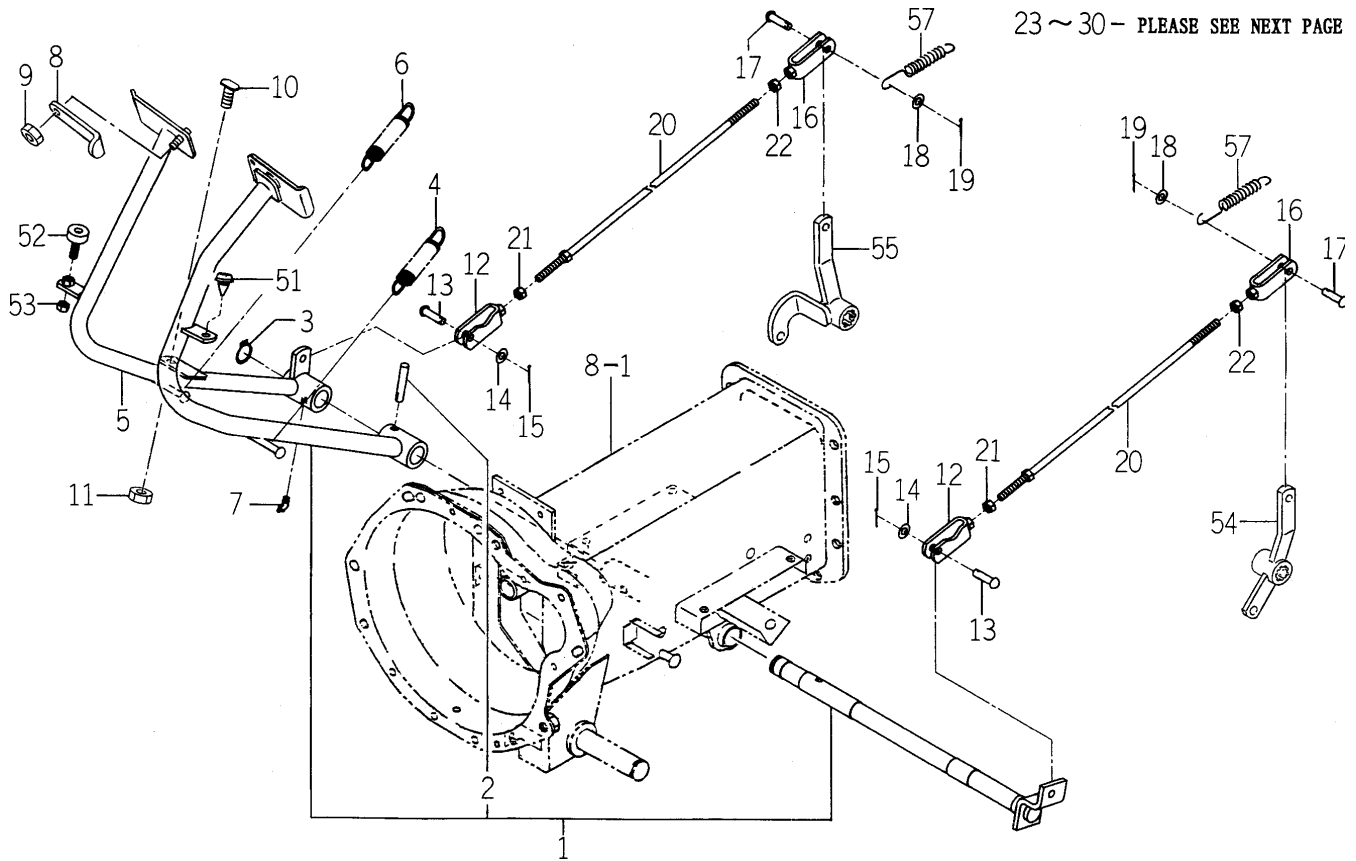
FIG. 24 DIFF CASE SYSTEM



1717-304 -0100

KEY	PART CODE	DESCRIPTION	S P C	TYPE OF MODEL		I T C	C O L	G R P	REMARKS
				TM3160					
1	1427-301-002-20	CASE,DIFF	*	1					
2	1444-411-006-00	SHAFT,DIFF. PINION	*	1					
3	1672-301-003-00	PINION/BEVEL/12	*	2					
4	1427-301-005-00	COLLAR,PINION THRUST	*	2					
5	1672-301-004-00	GEAR/BEVEL/14	*	2					
6	1427-301-007-00	COLLAR,THRUST	*	2					
7	1427-301-009-00	HOLDER,PINION SHAFT	*	1					
8	1672-301-002-00	PIN	*	1					
9	V523-100-801-60	PIN	*	1					
10	1544-304-006-10	BOLT/M8X25	*	4					
11	V401-160-008-00	WASHER,SP/M 8	*	4					
12	V600-110-600-90	BEARING,RB/6009	*	1					
13	V600-110-601-00	BEARING,RB/6010	*	1					
14	1427-201-012-00	METAL,DIFF-CASE LH	*	1					
15	1427-201-013-00	METAL,DIFF-CASE RH	*	1					
16	1427-201-014-10	SHIM,DIFF-CASE A	*	8					
17	1427-201-015-10	SHIM,DIFF-CASE B	*	4					
18	V211-560-802-50	BOLT,SEMS/M8X25 7T	*	8					
19	1717-304-001-00	GEAR/SPUR/11/LH	*	1					
20	1717-304-002-00	GEAR/SPUR/11/RH	*	1					
21	V600-110-620-60	BEARING,RB/6206	*	2					
22	1427-301-013-20	CLUTCH/DIFFLOCK	*	1					
23	1427-301-014-10	FORK/SHIFT/DIFFLOCK	*	1					
24	1427-301-015-10	STAY,SHIFTER	*	1					
25	1427-301-016-00	CAM,DIFF-LOCK	*	1					
26	V530-240-502-40	PIN/SLITTED	*	1					
27	1427-301-018-00	SPRING,PRESS/40	*	1					
28	V720-102-401-00	O-RING/P10A	*	1					
29	1427-301-019-00	ARM/DIFFLOCK	*	1					
30	V304-260-010-00	NUT	*	1					

FIG. 29 PEDAL (BRAKE) SYSTEM(1/2)

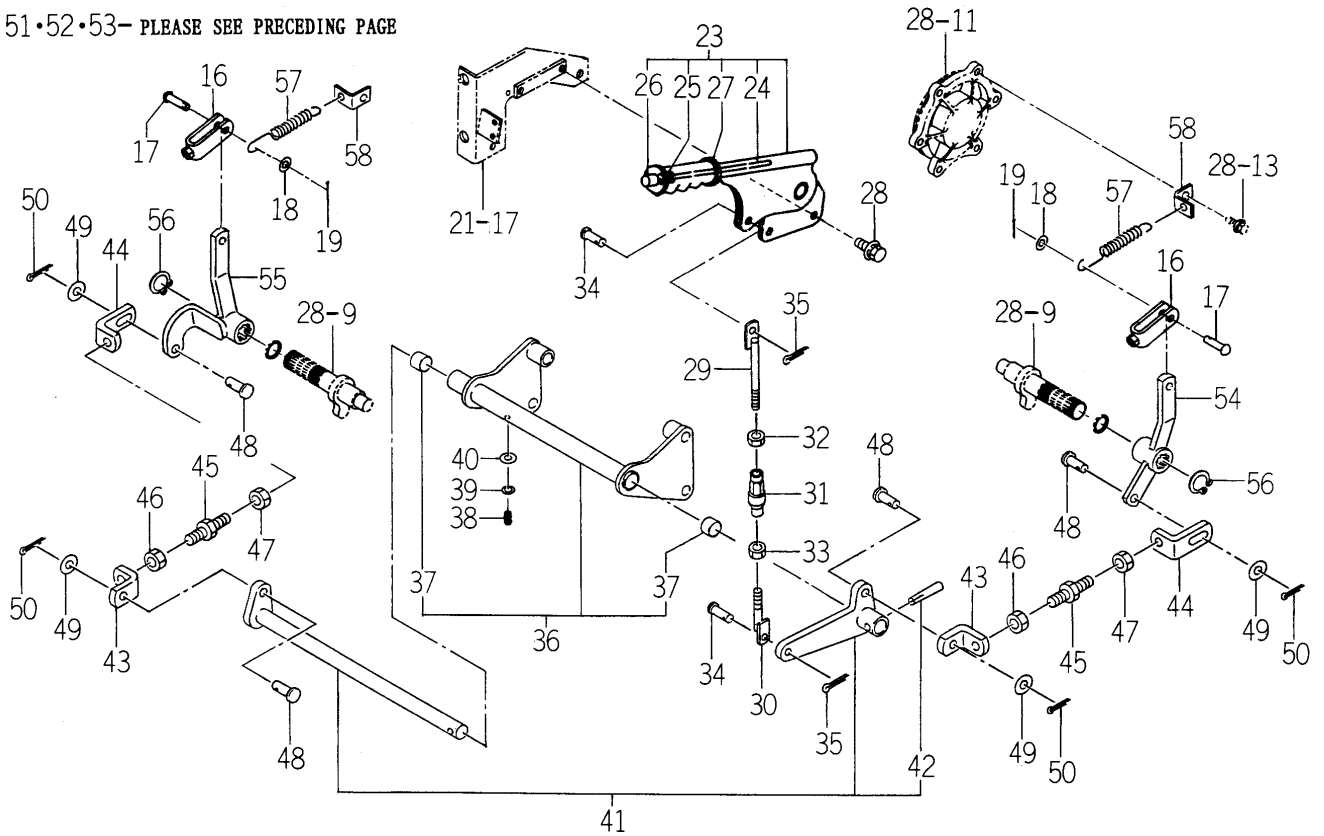


1738-312 -0100

KEY	PART CODE	DESCRIPTION	S P C	TYPE OF MODEL		I T C	C O L	G R P	REMARKS
				TM3160					
1	1738-312-320-20	PEDAL/BRAKE/LH SET	*	1					
2	V511-100-805-00	PIN,TAPER/8X50	*	1					
3	V704-140-022-00	RING,SNAP/22 C	*	1					
4	1673-314-001-00	SPRING/HE106	*	1					
5	1738-312-220-10	PEDAL/BRAKE/RH COMP	*	1					
6	1673-314-001-00	SPRING/HE106	*	1					
7	V763-150-000-00	NIPPLE,GREASE/PT1/8	*	1					
8	1675-312-051-00	LOCKPLATE	*	1					
9	P120-605-031-00	U-NUT	*	1					
10	1688-312-001-10	BOLT/ADJUST	*	1					
11	V304-260-008-00	NUT	*	1					
12	1415-312-500-00	YOKE,LH	*	2					
13	1404-312-006-00	PIN,YOKE A	*	2					
14	V411-260-008-00	WASHER,PL/M 8	*	2					
15	V500-162-002-00	PIN,SPLIT/2 X20	*	2					
16	1510-328-260-00	YOKE COMP	*	2					
17	1404-312-006-00	PIN,YOKE A	*	2					
18	V411-260-008-00	WASHER,PL/M 8	*	2					
19	V500-162-002-00	PIN,SPLIT/2 X20	*	2					
20	1738-312-310-00	ROD/355 COMP	*	2					
21	1560-132-007-30	NUT/M8	*	2					
22	V304-260-008-00	NUT	*	2					
23	1740-313-300-00	LEVER/PARKING ASSY	*	1					
24	1442-313-202-00	ROD	*	1					
25	1444-328-273-00	SPRING	*	1					
26	1444-328-272-00	BUTTON	*	1					
27	1740-313-301-00	GRIP/ORANGE	*	1					
28	V211-360-802-50	BOLT/SP	*	2					
29	1738-312-280-00	ROD/115 COMP	*	1					
30	1738-312-290-00	ROD/70 COMP	*	1					

FIG. 29 PEDAL (BRAKE) SYSTEM(2/2)

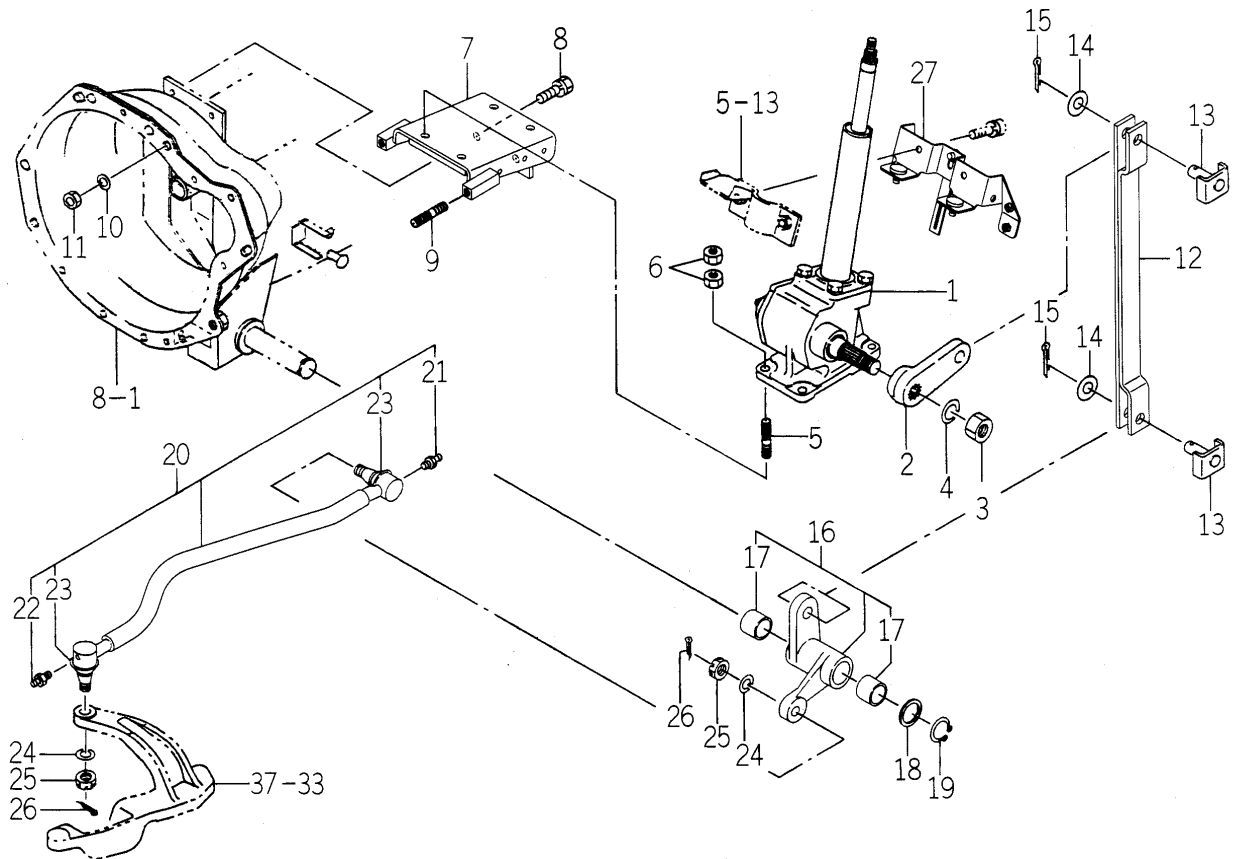
51•52•53- PLEASE SEE PRECEDING PAGE



1738-312-0100

KEY	PART CODE	DESCRIPTION	S P C	TYPE OF MODEL		I T C	C O L	G R P	REMARKS
				TM3160					
31	1444-122-002-00	TURNBUCKLE/M8	*	1					
32	V304-260-008-00	NUT	*	1					
33	1560-132-007-30	NUT/M8	*	1					
34	1673-730-008-00	PIN/08X19	*	2					
35	V500-162-002-00	PIN,SPLIT/2 X20	*	2					
36	1738-312-300-10	HOLDER/SHAFT ASSY	*	1					
37	3668-612-001-00	BUSH	*	2					
38	V760-150-000-00	NIPPLE,GREASE	*	1					
39	V401-160-006-00	WASHER,SP/M 6	*	1					
40	V411-260-006-00	WASHER / M6	*	1					
41	1738-312-200-00	SHAFT/BRAKE SET	*	1					
42	V511-100-805-00	PIN,TAPER/8X50	*	1					
43	1738-312-005-00	PLATE/PARKING/A	*	2					
44	1738-312-006-00	PLATE/PARKING/B	*	2					
45	1738-312-007-00	ROD/M12X66	*	2					
46	V304-260-012-00	NUT/M12	*	2					
47	2146-360-014-00	NUT/M12/LH	*	2					
48	1627-122-008-00	PIN/10X25	*	4					
49	V411-260-010-00	WASHER/M10	*	4					
50	V500-162-502-00	PIN,SPLIT/2.5X20	*	4					
51	1432-616-002-00	RUBBER,CUSHION	*	1					
52	1560-630-024-00	INSULATOR	*	1					
53	V304-260-008-00	NUT	*	1					
54	1738-312-240-00	ARM/BRAKE/LH COMP	*	1					
55	1738-312-260-00	ARM/BRAKE/RH COMP	*	1					
56	V704-140-022-00	RING,SNAP/22 C	*	2					
57	3659-480-003-00	SPRING/HE110	*	2					
58	1738-312-009-00	PLATE/L/28X28	*	2					

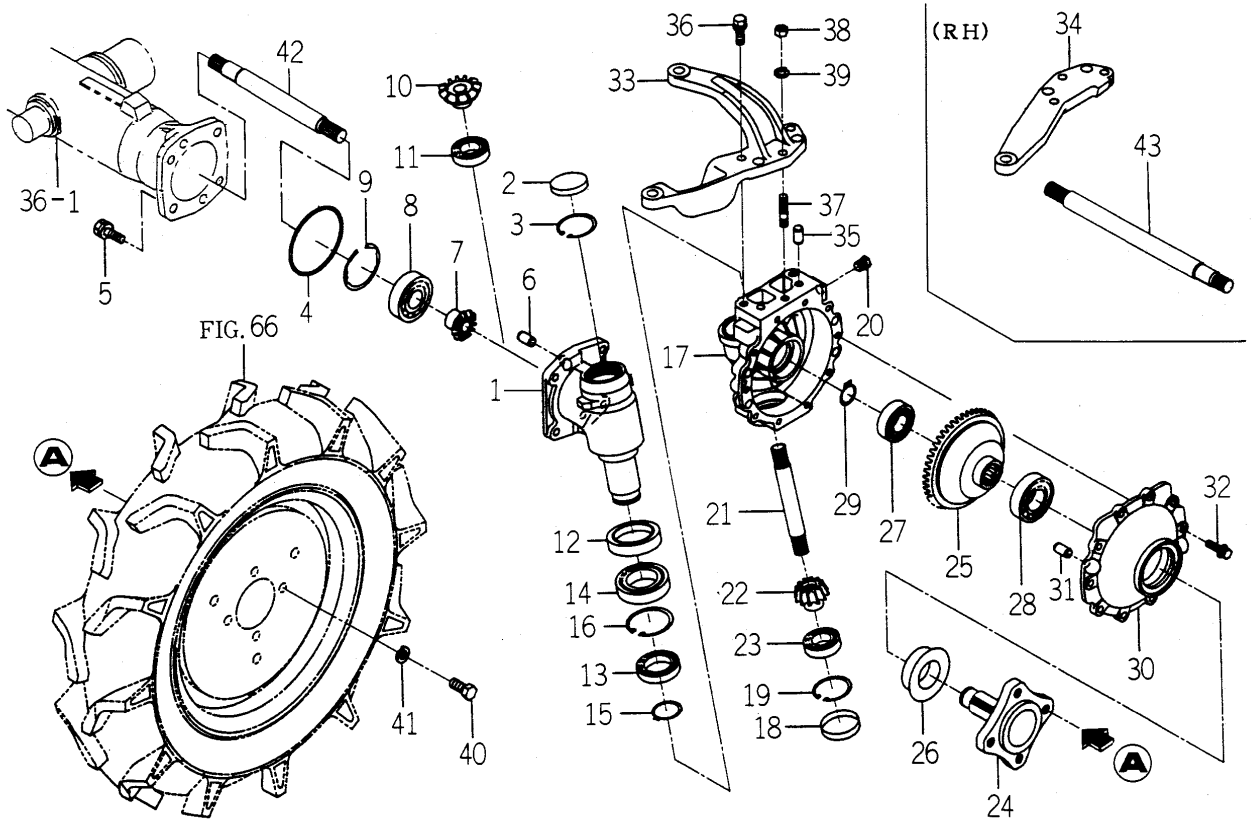
FIG. 31 STEERING (MANUAL) SYSTEM



1738-406-0100

KEY	PART CODE	DESCRIPTION	S P C	TYPE OF MODEL		I T C	C O L	G R P	REMARKS
				TM3160					
1	1682-406-210-10	CASE/STEERING ASSY	*	1					FIG 072
2	1672-406-201-00	ARM/PITMAN	*	1					
3	V334-260-020-00	NUT	*	1					
4	V401-160-020-00	WASHER,SP/M20	*	1					
5	1672-406-005-00	BOLT/STUD/M10X35	*	4					
6	V334-460-010-00	NUT/M10 7T P=1.25	*	8					
7	1738-406-200-00	BRACKET/STEERIN COMP	*	1					
8	V211-561-002-00	BOLT/M10X20	*	2					
9	V251-341-003-00	BOLT/STUD	*	2					
10	V401-160-010-00	WASHER,SP/M10	*	2					
11	V304-460-010-00	NUT/M10	*	2					
12	1738-406-210-00	ROD/STEERING COMP	*	1					
13	1726-406-260-00	PIN/15X42 COMP	*	2					
14	V411-260-014-00	WASHER,PL/M14	*	2					
15	V500-162-502-50	PIN,SPLIT/2.5X25	*	2					
16	1672-406-230-00	ARM/STEERING ASSY	*	1					
17	1593-402-051-10	BUSH/25X28X25	*	2					
18	1612-406-001-00	WASHER/26X35X02	*	1					
19	V704-140-025-00	RING,SNAP/25 C	*	1					
20	1738-406-240-00	ROD/DRAW ASSY	*	1					
21	1404-402-005-00	NIPPLE,GREASE	*	1					
22	1404-402-005-00	NIPPLE,GREASE	*	1					
23	1427-406-018-00	COVER,DUST	*	2					
24	V401-160-010-00	WASHER,SP/M10	*	2					
25	V327-262-110-00	NUT/M10X1.25	*	2					
26	V500-162-502-00	PIN,SPLIT/2.5X20	*	2					
27	1738-406-230-00	BRACKET/REAR COMP	*	1					

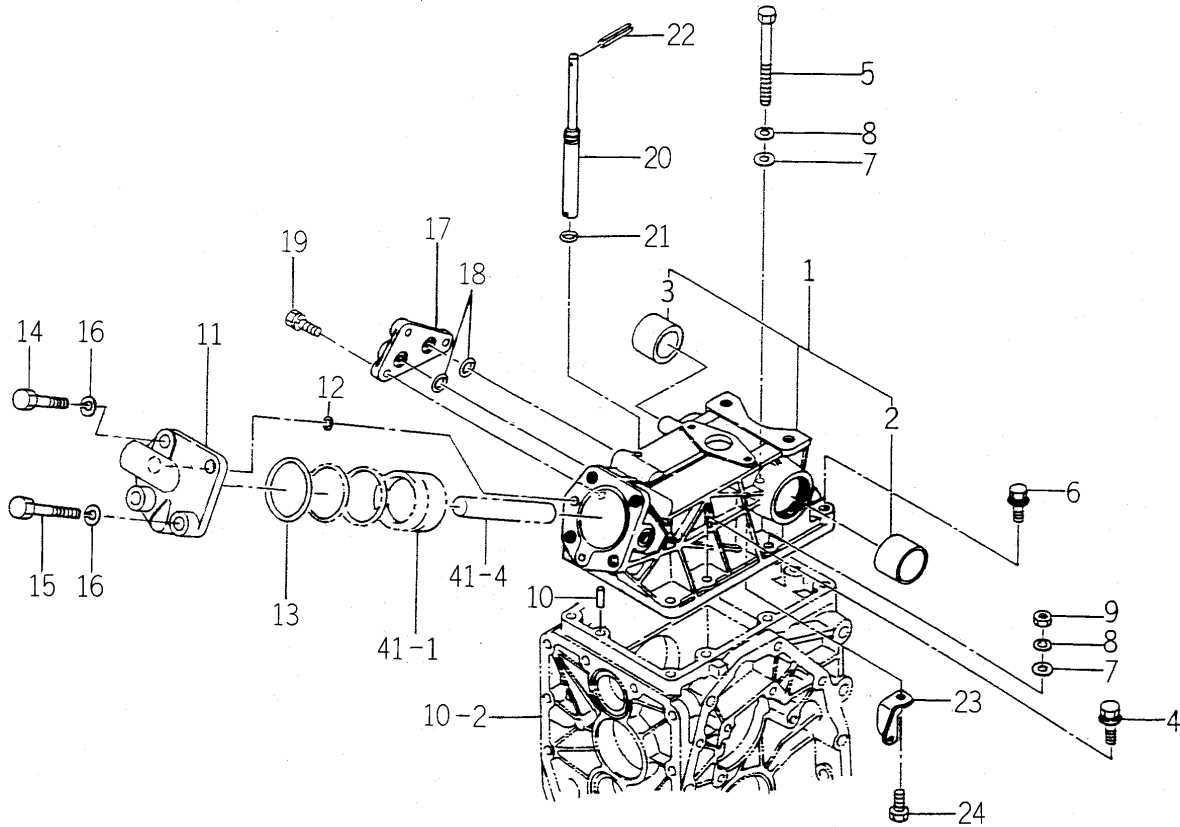
FIG. 37 FINAL GEAR CASE SYSTEM



1726-434-0100,1703-435-0100

KEY	PART CODE	DESCRIPTION	S P C	TYPE OF MODEL		I T C	C O L	G R P	REMARKS
				TM3160					
1	1672-434-009-00	CASE/FINAL	*	2					
2	1564-201-003-00	CAP/SEAL/47	*	2					
3	V705-140-047-00	RING,SNAP/47 C	*	2					
4	V721-103-109-00	O-RING/G90	*	2					
5	V211-561-003-00	BOLT/M10X30	*	8					
6	V523-101-002-40	PIN	*	4					
7	1703-434-003-00	GEAR/BEVEL/11	*	2					
8	V600-110-630-50	BEARING,RB/6305	*	2					
9	V707-140-062-00	RING/SNAP	*	2					
10	1703-434-004-00	GEAR/BEVEL/15	*	2					
11	V600-110-600-50	BEARING,RB/6005	*	2					
12	1488-413-023-10	SEAL,OIL	*	2					
13	V600-110-690-70	BEARING	*	2					
14	V600-110-600-80	BEARING,RB/6008	*	2					
15	V704-140-035-00	RING,SNAP/35 C	*	2					
16	V707-140-055-00	RING/SNAP	*	2					
17	1672-434-011-10	CASE/FINAL	*	2					
18	1564-201-003-00	CAP/SEAL/47	*	2					
19	V705-140-047-00	RING,SNAP/47 C	*	2					
20	V782-160-000-4B	PLUG/SCREW/SEAL	*	4					
21	1612-434-006-00	SHAFT	*	2					
22	1672-434-007-00	GEAR/BEVEL/12	*	2					
23	V600-110-600-50	BEARING,RB/6005	*	2					
24	1681-434-002-10	SHAFT/WHEEL	*	2					
25	1672-434-008-00	GEAR/BEVEL/47	*	2					
26	1491-434-017-00	SEAL/QLNY35571116	*	2					
27	V600-110-620-50	BEARING,RB/6205	*	2					
28	V600-110-620-60	BEARING,RB/6206	*	2					
29	V704-140-025-00	RING,SNAP/25 C	*	2					
30	1612-434-009-00	COVER/WHEEL	*	2					

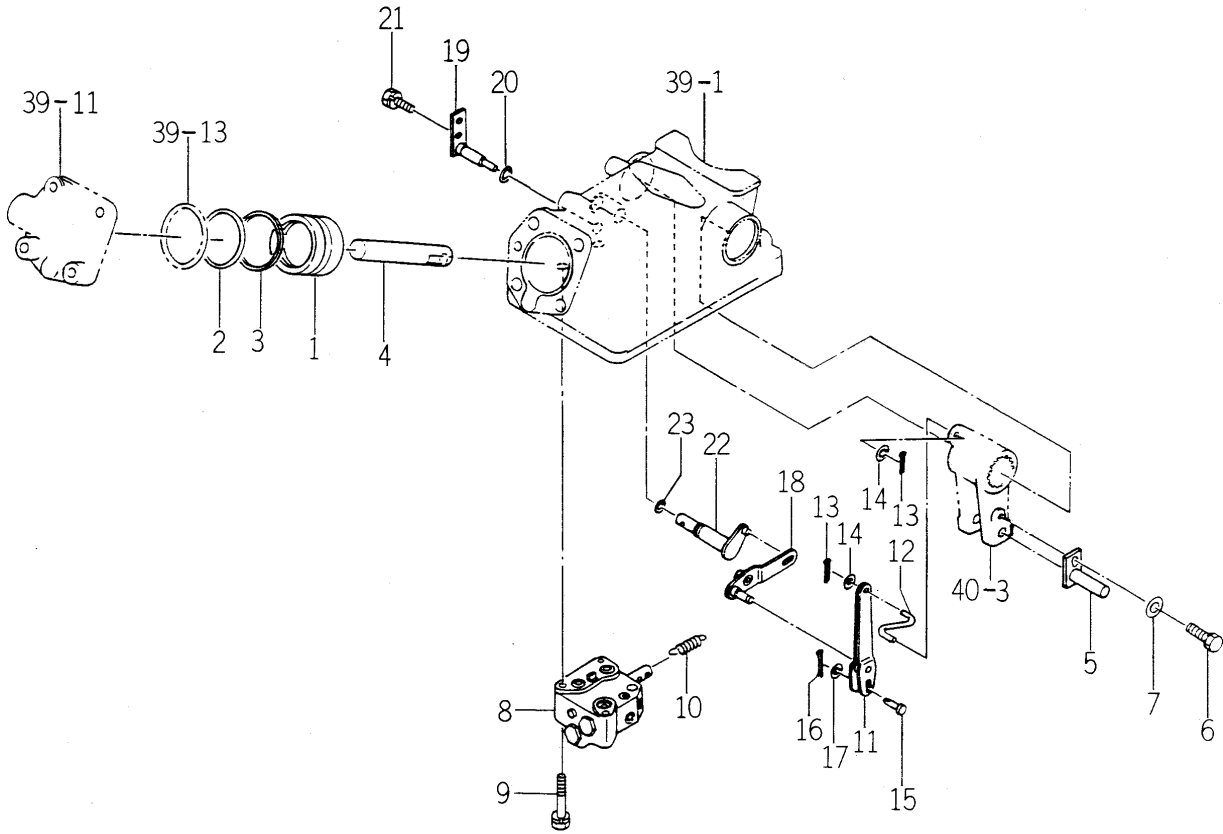
FIG. 39 CASE (CYLINDER) SYSTEM



1738-501-0100

KEY	PART CODE	DESCRIPTION	S P C	TYPE OF MODEL		I T C	C O L	G R P	REMARKS
				TM3160					
1	1579-501-200-00	CASE, SYLINDER	*	1					
2	1480-501-003-00	BUSH/40X43X30	*	1					
3	1427-501-003-00	BUSH/35X39X30	*	1					
4	V211-361-004-00	BOLT, SEMS	*	4					
5	V201-261-010-00	BOLT/M10X100	*	1					
6	V211-361-004-50	BOLT/M10X45	*	2					
7	V411-260-010-00	WASHER/M10	*	3					
8	V401-160-010-00	WASHER, SP/M10	*	3					
9	V304-260-010-00	NUT	*	2					
10	V522-100-801-80	PIN	*	2					
11	1717-501-002-00	HEAD/CYLINDER	*	1					
12	V720-112-401-20	O-RING/P12	*	2					
13	V721-113-106-00	O-RING G60	*	1					
14	V201-361-204-00	BOLT/M12X40	*	2					
15	V201-361-206-00	BOLT	*	2					
16	V401-160-012-00	WASHER, SP/M12	*	4					
17	1434-501-003-10	SUBCONCOVER	*	1					
18	V720-112-401-20	O-RING/P12	*	3					
19	V211-260-802-50	BOLT/S	*	3					
20	1738-501-001-00	PIN/ADJUST	*	1					
21	V720-101-900-70	O-RING/P 7	*	1					
22	V580-140-403-60	PIN, SPRING 3X32	*	1					
23	1434-501-005-00	HOOK, SPRING	*	1					
24	V201-260-801-60	BOLT/M 8X16	*	1					

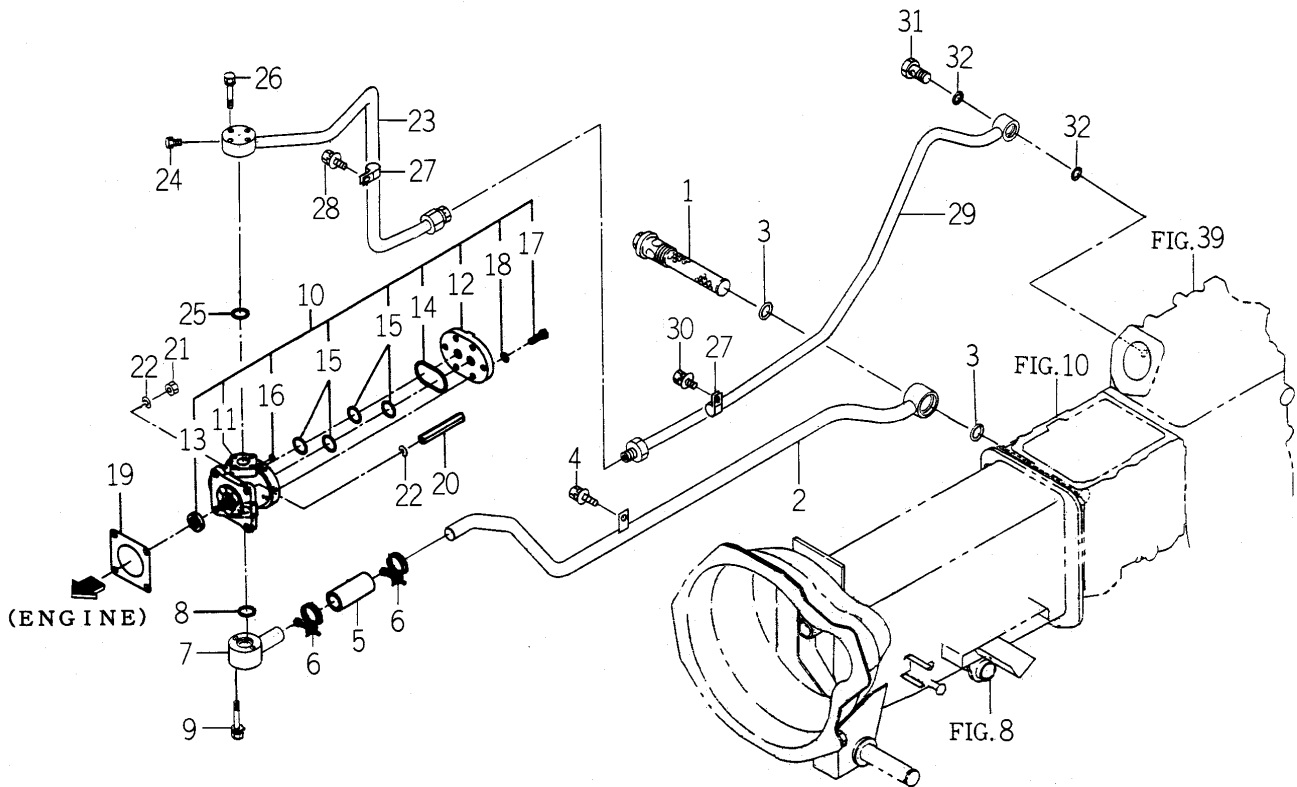
FIG. 41 CYLINDER SYSTEM



1738-503-0100

KEY	PART CODE	DESCRIPTION	S P C	TYPE OF MODEL		I T C	C O L	G R P	REMARKS
				TM3160					
1	1421-507-002-10	PISTON	*	1					
2	V720-105-705-50	O-RING/P55	*	1					
3	1416-501-011-00	RING, BACKUP	*	1					
4	1544-503-001-20	ROD	*	1					
5	1544-503-200-20	PIN, ROD COMP	*	1					
6	V211-561-001-60	BOLT(S)7	*	1					
7	V411-260-010-00	WASHER/M10	*	1					
8	K211-001-000-00	VALVE CONTROL ASSY	*	1					FIG 071
9	V211-260-805-00	BOLT/M8X50	*	3					
10	1434-501-006-00	SPRING, TENSION/31	*	1					
11	1717-503-200-10	LINK/SPOOL COMP	*	1					
12	1434-503-001-00	LINK, CRANK	*	1					
13	V500-162-001-50	PIN, SPLIT/2 X15	*	2					
14	V411-260-006-00	WASHER / M6	*	2					
15	1434-503-002-00	PIN/5X17	*	1					
16	V500-162-001-50	PIN, SPLIT/2 X15	*	1					
17	V411-260-005-00	WASHER	*	1					
18	1672-503-210-00	LINK/SUPPORT COMP	*	1					
19	1434-503-250-10	PIN/SUPPORT COMP	*	1					
20	V720-101-900-70	O-RING/P 7	*	1					
21	V211-260-801-60	BOLT, SEMS (S) M8X16	*	1					
22	1434-503-260-20	LINK SHIFT ARM	*	1					
23	V720-102-401-00	O-RING/P10A	*	1					

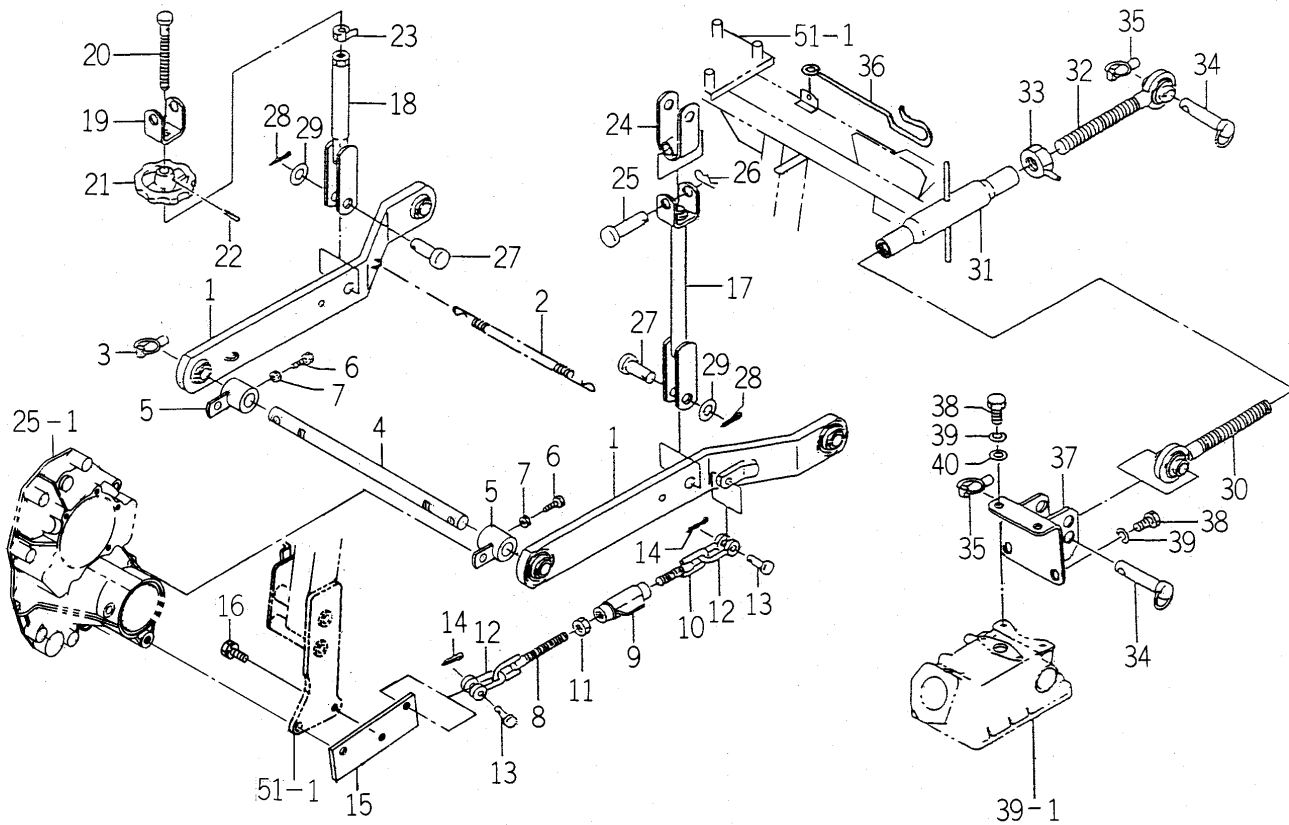
FIG. 43 PIPING SYSTEM



1738-508-0100

KEY	PART CODE	DESCRIPTION	S P C	TYPE OF MODEL		I T C	C O L	G R P	REMARKS
				TM3160					
1	1738-508-210-00	FILTER/SUCTION COMP	*	1					
2	1738-508-220-00	PIPE/SUCTION/REAR	*	1					
3	V720-113-502-80	RING/O	*	2					
4	V211-360-801-60	BOLT,SEMS (SP)	*	1					
5	1675-508-004-00	HOSE/70	*	1					
6	J061-224-032-00	CLAMP/WIRE/24-32	*	2					
7	1726-508-230-00	PIPE/SUC/FRONT COMP	*	1					
8	V720-112-402-00	O-RING/P20	*	1					
9	V210-560-604-50	BOLT/S	*	2					
10	K135-023-000-00	PUMP GEAR ASSY	*	1					
11	K135-023-100-00	GEAR PUMP SET	*	1					
12	K135-017-006-00	COVER,PUMP	*	1					
13	V744-114-280-70	SEAL,OIL	*	1					
14	V721-113-105-00	O-RING HS90 G50	*	1					
15	V720-112-402-20	O-RING/P22	*	4					
16	V720-111-900-60	O-RING P6 HS90	*	1					
17	K135-002-009-00	BOLT/M8X28 11T	*	6					
18	V401-170-008-00	S.W	*	6					
19	1404-503-006-00	PACKING,OIL PUMP	*	1					
20	1560-515-004-50	NUT/M08	*	1					
21	V304-260-008-00	NUT	*	3					
22	V401-160-008-00	WASHER,SP/M 8	*	4					
23	1738-508-230-00	PIPE/DELIVERY/FRONT	*	1					
24	V782-160-000-2T	PLUG/SCREW/SEAL	*	1					
25	V720-112-402-00	O-RING/P20	*	1					
26	V210-560-603-00	BOLT/S	*	4					
27	1675-508-003-00	HOLDER/15	*	2					
28	V211-360-801-60	BOLT,SEMS (SP)	*	1					
29	1738-508-240-00	PIPE/DELIVERY/REAR	*	1					
30	V211-360-801-60	BOLT,SEMS (SP)	*	1					

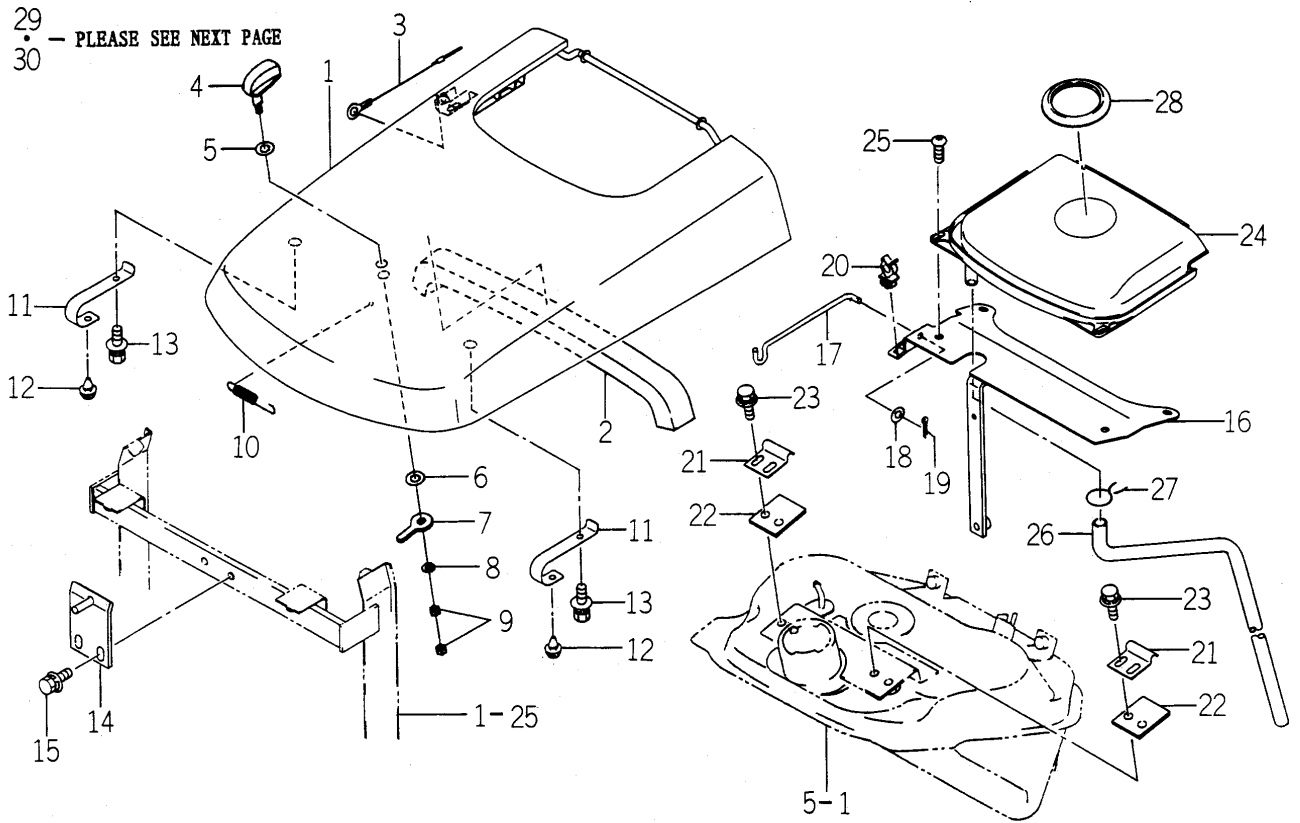
FIG. 44 LINK (3P) SYSTEM



1738-514 -0100

KEY	PART CODE	DESCRIPTION	S P C	TYPE OF MODEL		I T C	C O L	G R P	REMARKS
				TM3160					
1	1435-511-250-10	LINK/LOWER COMP	*	2					
2	1560-525-001-40	SPRING	*	1					
3	1673-525-002-20	LINKPIN	*	2					
4	1738-514-001-00	PIN/22X404	*	1					
5	1738-514-210-00	HUB/SPACER COMP	*	2					
6	V201-360-802-50	BOLT/M 8X25	*	2					
7	V305-260-008-00	NUT/M 8	*	2					
8	1435-511-270-00	CHAIN/CHECK/148 COMP	*	2					
9	1427-511-320-00	TURNBUCKLE 12 COMP	*	2					
10	1427-511-220-00	CHAIN,CHECK RH	*	2					
11	V305-260-012-00	NUT/M12	*	2					
12	1427-511-002-00	SHACKLE	*	4					
13	1427-511-001-00	PIN/10X32	*	4					
14	V500-162-502-00	PIN,SPLIT/2.5X20	*	4					
15	1738-514-002-00	STAY/PLATE	*	2					
16	V211-561-003-00	BOLT/M10X30	*	2					
17	1427-511-270-00	ROD/LIFT/LH COMP	*	1					
18	1427-511-290-00	ROD/LIFT/RH COMP	*	1					
19	1427-511-273-00	FORK	*	1					
20	1427-511-003-00	SCREW	*	1					
21	1427-511-004-00	HANDLE/ADJUST	*	1					
22	V580-140-503-20	PIN,SPRING/5 X32 W	*	1					
23	1427-511-280-00	NUT,LOCK/16	*	1					
24	1427-511-300-00	FORK/BRACKET COMP	*	2					
25	1423-520-001-10	PIN/16X63	*	2					
26	1305-931-003-00	PIN,HAIR	*	2					
27	1427-511-005-00	PIN/16X44	*	2					
28	V500-164-002-50	PIN,SPLIT/4 X25	*	2					
29	V411-260-016-00	WASHER / M16	*	2					
30	1427-511-250-10	LINK, TOP LH COMP	*	1					

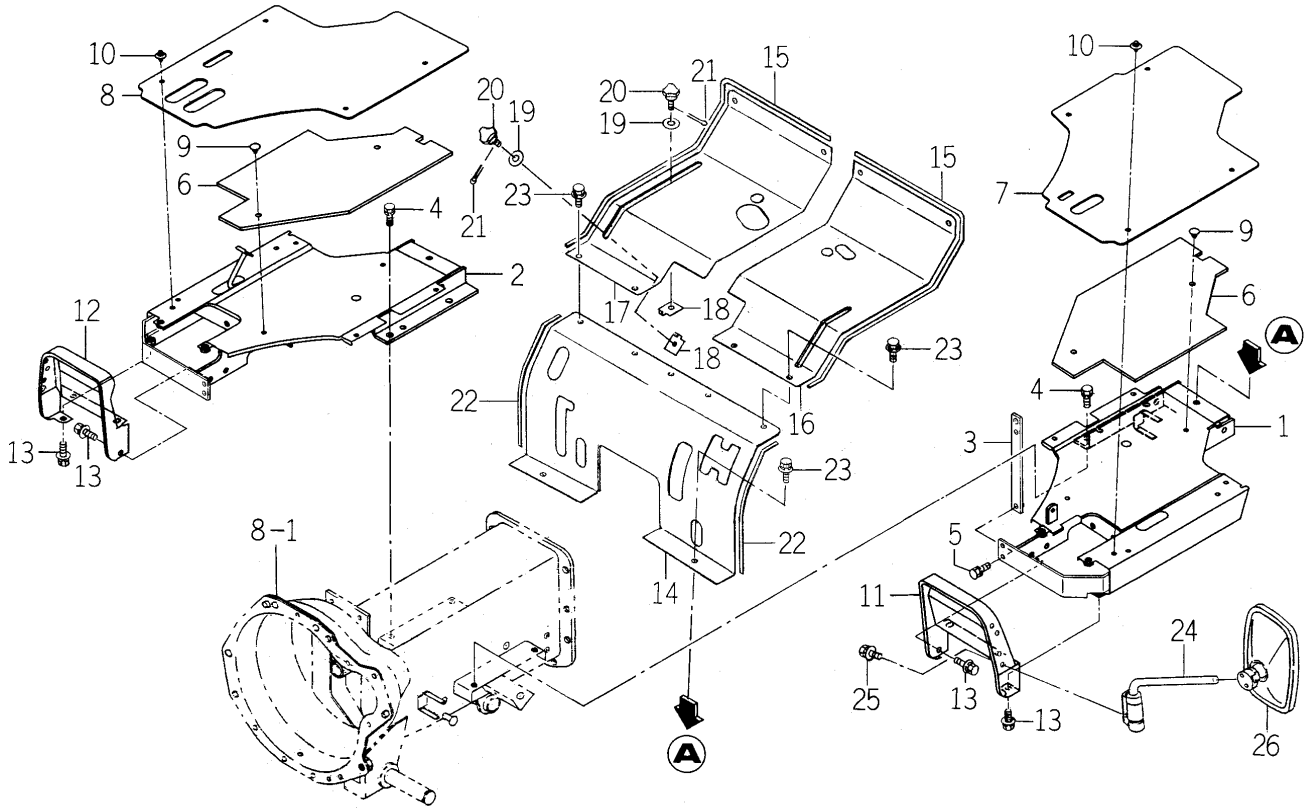
FIG. 46 HOOD SYSTEM(1/2)



1738-601-0100

KEY	PART CODE	DESCRIPTION	S P C	TYPE OF MODEL		I T C	C O L	G R P	REMARKS
				TM3160					
1	1726-601-200-20	HOOD COMP	*	1			4L		
2	1726-601-007-00	INSULATOR	*	1					
3	1726-601-012-00	CABLE/HOOD COMP	*	1					
4	1675-601-002-00	HANDLE	*	1					
5	1650-601-007-00	WASHER/12X25X02	*	1					
6	3610-440-018-00	WASHER	*	1					
7	1726-601-011-00	ARM/PLATE	*	1					
8	V411-260-008-00	WASHER,PL/M 8	*	1					
9	V304-260-008-00	NUT	*	2					
10	1588-117-001-00	SPRING/HE089	*	1					
11	1726-601-005-00	SPRING/HOOD	*	2					
12	1432-616-002-00	RUBBER,CUSHION	*	2					
13	V211-360-801-60	BOLT,SEMS (SP)	*	2					
14	1726-601-220-00	PLATE/LOCK COMP	*	1					
15	V211-360-801-60	BOLT,SEMS (SP)	*	2					
16	1738-601-210-00	BRACKET COMP	*	1					
17	1726-601-001-00	ROD/HOOD	*	1					
18	V411-260-006-00	WASHER / M6	*	1					
19	V500-162-002-00	PIN,SPLIT/2 X20	*	1					
20	P103-601-005-00	HOLDER/ROD	*	1					
21	1726-601-004-00	HOLDER/HOOD	*	2					
22	1726-601-014-00	PLATE/I/38X60	*	2					
23	V211-360-801-60	BOLT,SEMS (SP)	*	4					
24	1726-601-003-00	HOOD/UPPER	*	1					
25	3676-491-005-00	SCREW/M6X16	*	2					
26	1614-111-002-10	HOSE/03X07X800	*	1					
27		WIRE	*	1					
28	1560-111-003-20	COVER	*	1					
29	1738-601-200-00	COVER/SIDE/LH COMP	*	1			4L		
30	1726-601-008-00	INSULATOR/LH	*	1					

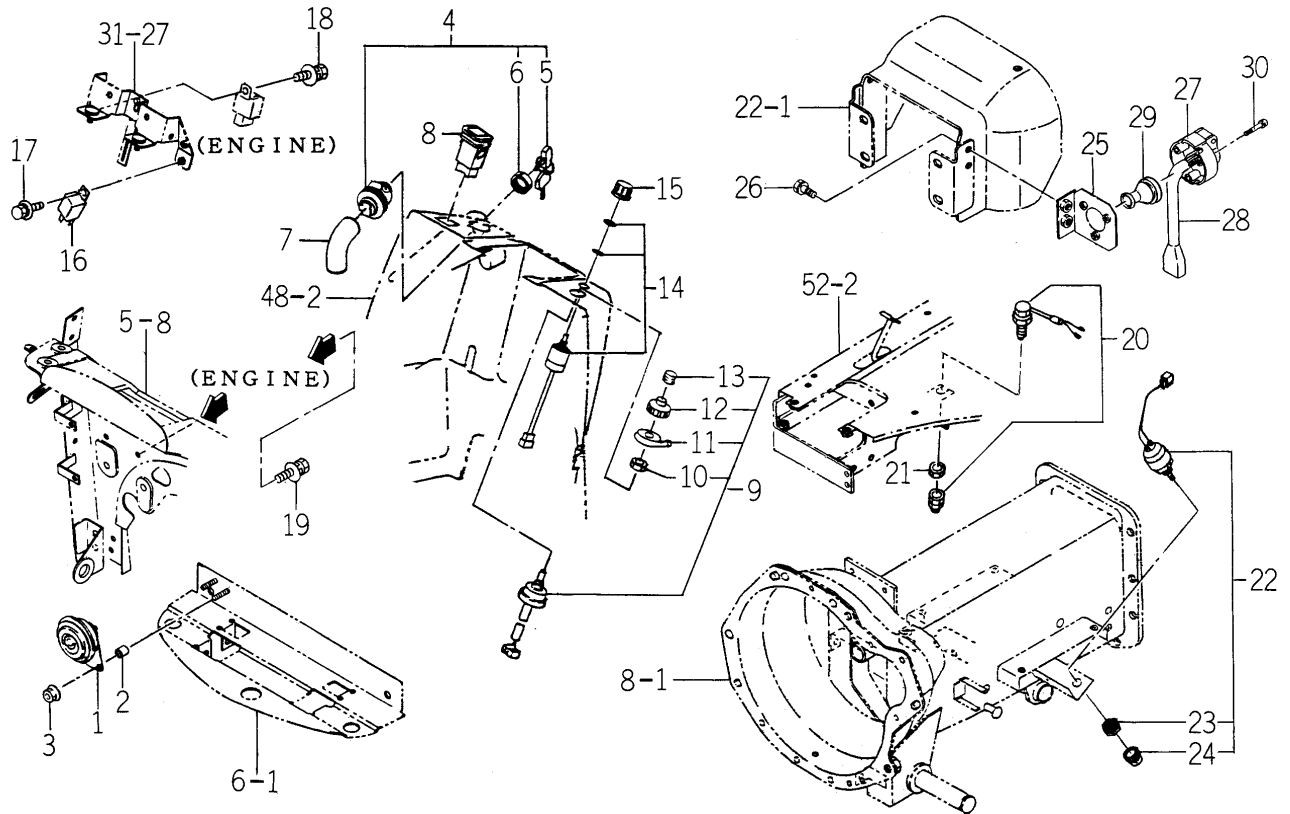
FIG. 52 STEP SYSTEM



1738-630-0100

KEY	PART CODE	DESCRIPTION	S P C	TYPE OF MODEL		I T C	C O L	G R P	REMARKS
				TM3160					
1	1738-630-200-20	STEP/LH COMP	*	1			5I		
2	1738-630-210-10	STEP/RH COMP	*	1			5I		
3	1726-630-300-10	STAY COMP	*	2					
4	V211-261-002-50	BOLT(S) M10X25	*	4					
5	V211-260-802-50	BOLT/S	*	2					
6	1717-630-004-00	INSULATOR	*	2					
7	1717-630-001-30	MAT/FLOOR/LH	*	1					
8	1717-630-002-10	MAT/FLOOR/RH	*	1					
9	1527-604-002-00	CLIP(B)	*	4					
10	1704-705-003-00	RIVET	*	8					
11	1740-630-054-00	HOOD/LH	*	1			5I		
12	1740-630-055-00	HOOD/RH	*	1			5I		
13	V211-360-802-00	BOLT/SP	*	8					
14	1738-630-001-10	COVER/CHANGE	*	1			5I		
15	1738-630-012-00	TRIM/290	*	2					
16	1738-630-002-10	COVER/LH	*	1			5I		
17	1738-630-003-10	COVER/RH	*	1			5I		
18	1614-608-220-10	PLATE/STOP COMP	*	2					
19	1421-507-014-00	WASHER/6X24X2	*	2					
20	1690-608-003-00	BOLT/KNOB/M06X27	*	2					
21	V500-161-601-50	PIN,SPLIT/1.6X15	*	2					
22	1738-630-011-00	TRIM/715	*	2					
23	V211-360-801-60	BOLT,SEMS (SP)	*	11					
24	1674-619-310-00	ARM/MIRROR ASSY	*	1					
25	V210-360-601-20	BOLT,SEMS	*	2					
26	1674-619-300-10	MIRROR ASSY	*	1					

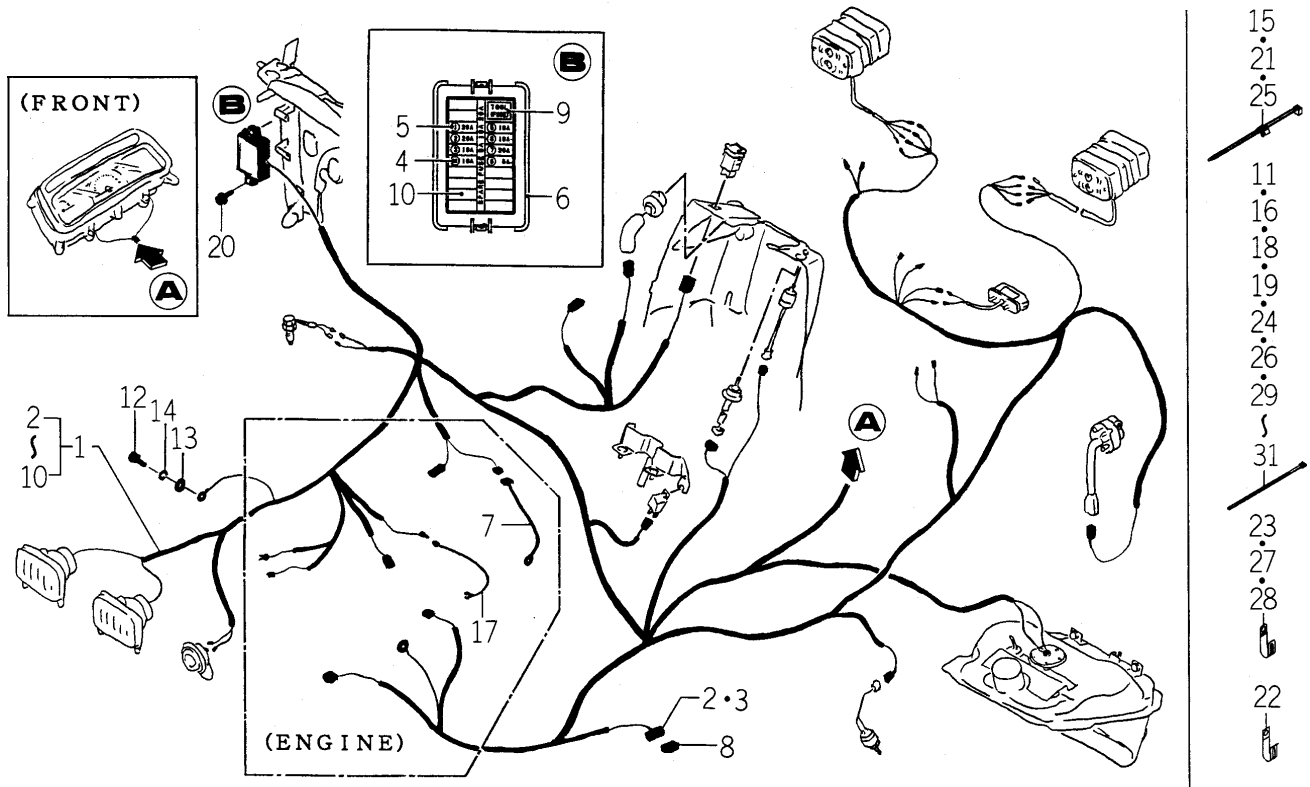
FIG. 55 SWITCH SYSTEM



1738-680-0100

KEY	PART CODE	DESCRIPTION	S P C	TYPE OF MODEL		I T C	C O L	G R P	REMARKS
				TM3160					
1	1740-680-530-00	HORN ASSY	*	1					
2	2150-661-002-00	COLLAR	*	2					
3	V360-260-006-00	NUT/M6	*	2					
4	1716-680-200-10	SWITCH/MAIN ASSY	*	1					
5	2186-536-211-00	KEY	*	2					
6	2186-536-212-00	NUT/RING	*	1					
7	1716-680-006-00	COVER/SWITCH	*	1					
8	1740-680-550-00	SWITCH/HAZARD ASSY	*	1					
9	1544-623-001-00	SWITCH ASSY	*	1					
10	1544-623-232-00	NUT/M22	*	1					
11	1544-623-233-00	LEVER	*	1					
12	1544-623-234-00	KNOB	*	1					
13	1544-623-235-00	BOOT/HORN	*	1					
14	1614-680-220-00	SWITCH/ROTARY/2 ASSY	*	1					
15	1588-651-205-00	KNOB	*	1					
16	1600-623-002-00	FLASHER ASSY	*	1					4DM0-033-600-01
17	V210-360-601-60	BOLT(SP)/M6X16	*	1					
18	V210-360-601-60	BOLT(SP)/M6X16	*	1					
19	V210-360-602-50	BOLT/SP	*	2					
20	1518-621-320-00	SWITCH,STOP	*	1					
21	V335-260-012-00	NUT	*	1					
22	1560-664-250-00	SWITCH/PUSH SET	*	1					
23	1560-664-252-00	NUT	*	1					
24	1560-664-253-00	BOOT	*	1					
25	1682-690-370-10	BRACKET/COUPLER/7P	*	1					
26	V211-261-003-50	BOLT,SEMS	*	2					
27	1600-624-201-00	PLUG/7P	*	1					8JB0-019-430-01
28	1682-690-380-00	HARNESS/SOCKET ASSY	*	1					
29	1650-654-036-00	GROMMET/10X40X03	*	1					
30	V120-265-003-00	BOLT/M5X30	*	3					

FIG. 56 HARNESS SYSTEM

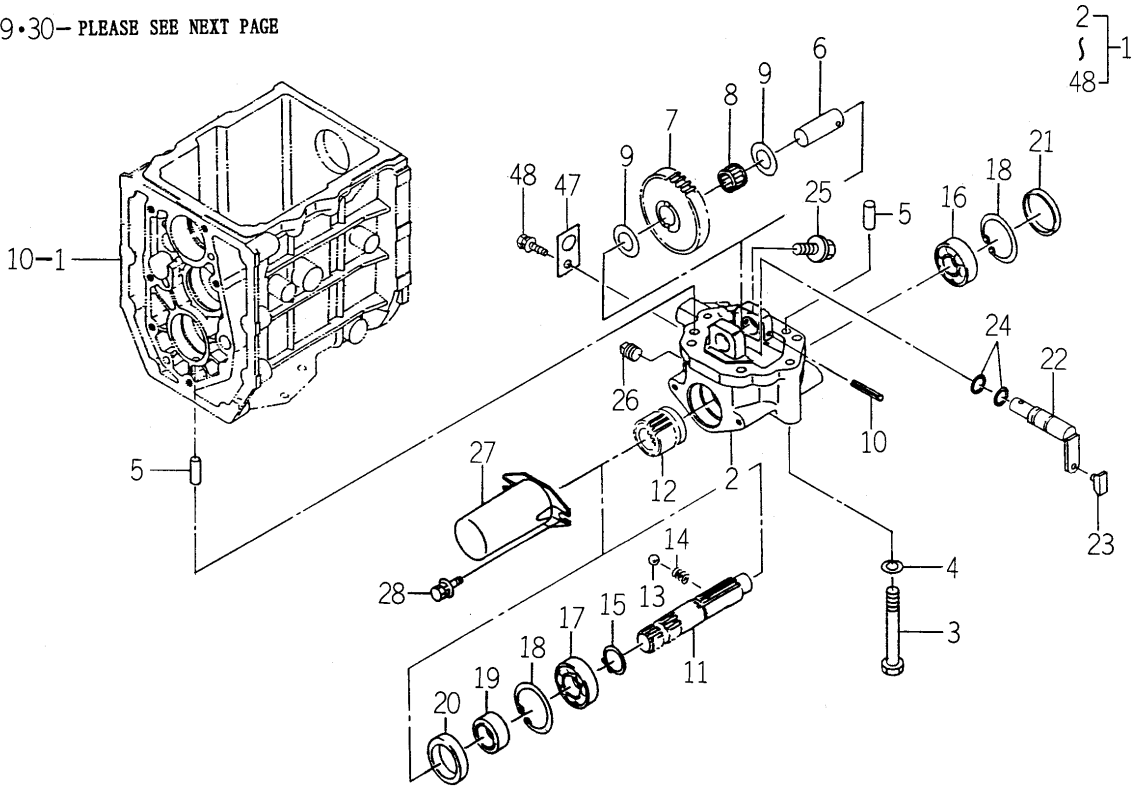


1738-690 -0100

KEY	PART CODE	DESCRIPTION	S P C	TYPE OF MODEL		I T C	C O L	G R P	REMARKS
				TM3160					
1	1738-690-200-00	HARNESS/MAIN/E4 ASSY	*	1					
2	1716-690-502-00	FUSE/SLOWBLOW/30A	*	1					
3	1650-650-222-00	FUSE/SLOWBLOW	*	1					
4	3821-262-202-00	FUSE/BLADE/32V10A	*	5					
5	3821-262-204-00	FUSE/BLADE/32V20A	*	4					
6	3827-270-001-00	COVER/FUSE	*	1					
7	1710-690-502-00	HARNESS/EARTH	*	1					
8	1738-690-202-00	RABEL/FUSE/SLOWBLOW	*	1					
9	3827-270-002-00	TOOL/FUSE	*	1					
10	1738-690-203-00	LABEL/FUSE/E4	*	1					
11	1376-402-003-00	BAND,WIRE/140	*	1					
12	V201-261-001-60	BOLT/M10X16	*	1					
13	V411-260-010-00	WASHER/M10	*	1					
14	V401-160-010-00	WASHER,SP/M10	*	1					
15	1560-666-004-00	BAND	*	1					
16	1376-402-003-00	BAND,WIRE/140	*	1					
17	1600-624-004-00	HARNESS,OIL PRESSURE	*	1					
18	1342-402-006-00	BAND,WIRE/250	*	1					
19	1376-402-003-00	BAND,WIRE/140	*	1					
20	V210-360-601-60	BOLT(SP)/M6X16	*	2					
21	1560-666-004-00	BAND	*	1					
22	1425-621-004-00	HOLDER/JE/9-9	*	1					
23	3737-172-011-00	CLAMP,HARNESS	*	1					
24	1376-402-003-00	BAND,WIRE/140	*	1					
25	1560-666-004-00	BAND	*	3					
26	1376-402-003-00	BAND,WIRE/140	*	1					
27	3737-172-011-00	CLAMP,HARNESS	*	1					
28	3737-172-011-00	CLAMP,HARNESS	*	1					
29	1376-402-003-00	BAND,WIRE/140	*	2					
30	1342-402-006-00	BAND,WIRE/250	*	2					

**FIG. 62 MID PTO SET (EXCEPT M TYPE)(1/2)
(OPTION)**

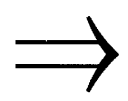
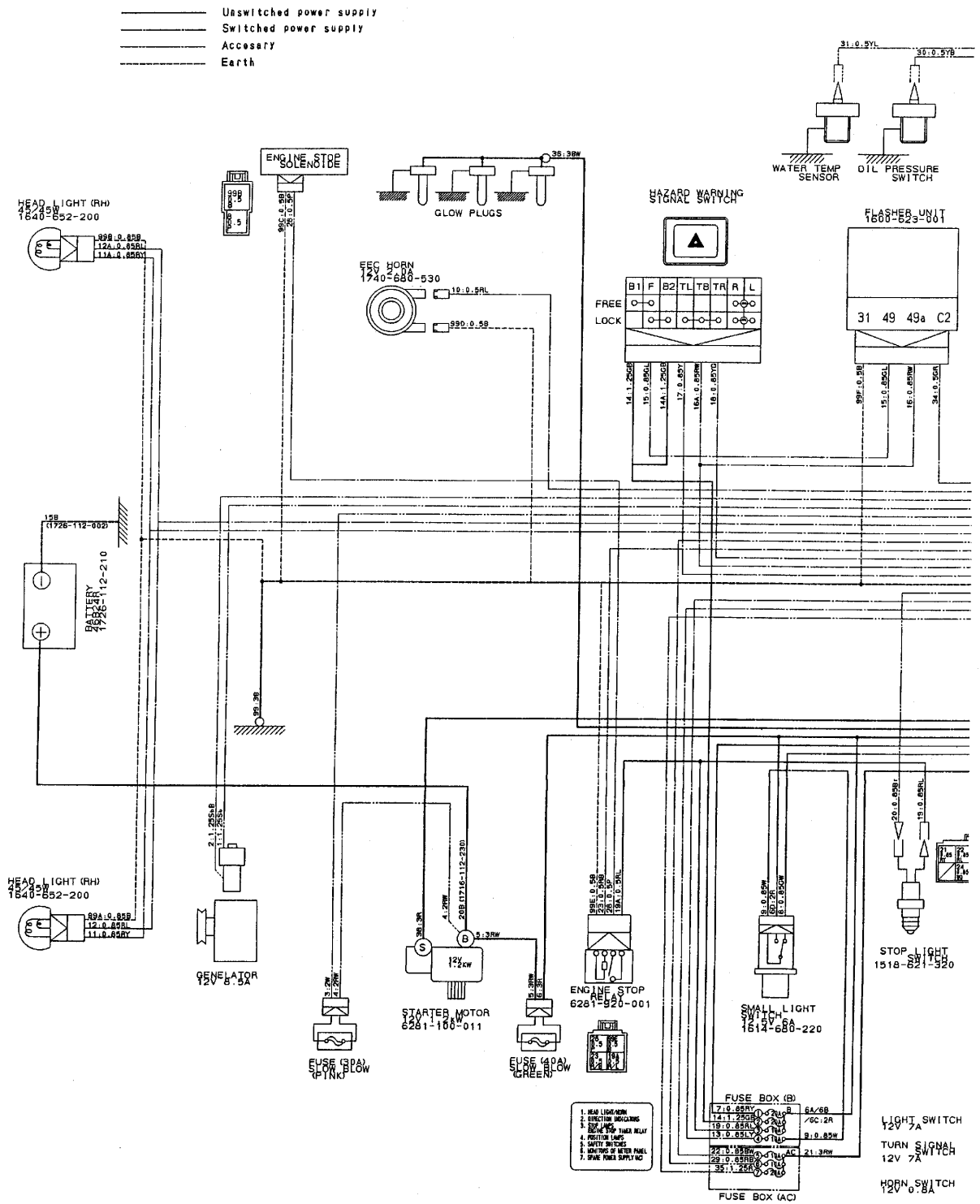
29.30- PLEASE SEE NEXT PAGE



1738-255A-0100

KEY	PART CODE	DESCRIPTION	S P C	TYPE OF MODEL		I T C	C O L	G R P	REMARKS
				TM3160					
1	1738-255-200-10	PTO/MID SET	T	1					
2	1682-255-201-10	CASE/PTO/MID	T	1					
3	V201-361-009-00	BOLT/M10X90	T	6					
4	V401-160-010-00	WASHER,SP/M10	T	6					
5	V523-101-002-40	PIN	T	2					
6	1682-255-203-00	PIN/20X51	T	1					
7	1682-255-202-00	GEAR/SPUR/34	T	1					
8	1682-255-002-20	BEARING/NEEDLE	T	1					
9	1480-212-003-00	COLLAR/21X36X1	T	2					
10	V580-140-604-00	PIN,SPRING/6 X40 W	T	1					
11	1682-255-204-00	SHAFT/PTO/MID	T	1					
12	1682-255-205-10	GEAR/SPUR/15	T	1					
13	V682-200-001-00	BALL	T	1					
14	1302-225-003-00	SPRING,SHIFTER	T	1					
15	V704-140-025-00	RING,SNAP/25 C	T	1					
16	V600-110-630-40	BEARING,RB/6304	T	1					
17	V600-110-620-50	BEARING,RB/6205	T	1					
18	V705-140-052-00	RING,SNAP/52 C	T	2					
19	1427-212-003-20	SLEEVE	T	1					
20	V744-135-520-80	SEAL,OIL/TC35528	T	1					
21	3625-701-003-00	CAP,BLANK/52	T	1					
22	1682-255-210-40	ARM/SHIFT/MID COMP	T	1					
23	2703-101-020-00	COLLAR,SHIFTER	T	1					
24	V720-102-401-40	O-RING/P14	T	2					
25	V233-361-201-60	FLANGEBOLT	T	1					
26	V781-160-000-6B	PLUG/SCREW/SEAL	T	1					
27	1444-314-009-10	CAP,PTO SHAFT	T	1					
28	V210-360-602-00	BOLT/SP	T	2					
29	1738-255-310-10	LEVER/PTO/MID COMP	T	1					
30	3640-585-001-00	GLIP/YELLOW	T	1					

WIRING DIAGRAM (1)



Numerical Index

6003-097-240-00

Part Code	Fig.Key	Part Code	Fig.Key	Part Code	Fig.Key
1373-121-001-00	23 5	6209-630-002-10	24 6	6211-751-001-10	2 2
1425-621-004-00	9 16		25 22	6211-760-012-20	5 28
3625-540-004-00	9 40	6209-730-005-00	12 3	6211-777-007-30	10 1
3817-401-001-00	9 12		20 10	6212-111-015-10	13 1
	11 20	6209-730-006-00	15 4	6212-114-015-10	14 1
	17 14	6209-740-001-00	9 28	6212-116-015-10	14 3
	17 19	6209-749-001-20	5 15	6212-121-008-20	13 2
6209-000-002-00	11 18		9 48	6212-124-008-10	14 2
6209-000-003-00	1 7	6209-920-002-00	9 22	6212-126-008-10	14 4
6209-000-004-10	5 2		16 14	6212-211-001-10	13 3
6209-030-043-00	20 16		25 13	6212-230-003-10	13 5
6209-030-044-00	18 4	6209-940-004-00	11 14	6212-235-005-00	13 6
6209-030-085-00	23 9	6211-110-065-20	1 1	6212-271-006-00	13 7
6209-046-015-00	15 9	6211-141-008-30	1 6	6212-274-006-00	6 5
6209-046-044-00	10 2		25 3	6212-276-006-00	6 6
6209-046-057-00	23 6	6211-170-004-20	2 1	6212-310-008-40	15 1
6209-050-001-00	9 34	6211-173-003-00	2 3	6212-330-017-30	15 5
6209-050-002-00	9 35		25 4	6212-333-003-00	15 6
6209-056-001-00	20 7	6211-210-050-20	5 1	6212-370-011-00	15 10
6209-300-002-00	17 17	6211-258-001-00	5 8	6212-371-009-00	15 11
6209-300-013-00	5 29		25 8	6212-372-002-10	15 12
6209-300-014-00	1 8	6211-258-002-00	5 9	6212-379-001-00	15 15
6209-360-028-10	2 6		25 9	6212-511-002-00	12 1
6209-409-001-00	9 20	6211-291-016-00	5 24	6212-521-008-00	15 3
6209-409-003-00	11 17	6211-292-001-20	5 25	6212-522-010-00	12 2
6209-490-002-10	2 4		25 11	6212-523-023-00	12 6
6209-500-003-00	9 18	6211-310-017-30	9 1	6212-524-002-20	20 9
	9 27	6211-311-011-20	9 43	6212-530-005-20	9 50
	25 23	6211-312-002-30	9 44	6212-531-005-10	5 6
6209-572-003-00	2 5	6211-312-003-20	9 29	6212-535-001-00	12 4
	25 5		25 14	6212-535-002-00	20 13
6209-580-002-10	20 26	6211-312-004-20	25 15	6212-551-001-10	11 1
6209-587-001-00	13 4	6211-319-003-00	9 46	6212-552-001-20	11 2
6209-600-004-00	9 26	6211-322-002-00	9 55	6212-561-001-10	11 3
6209-600-006-00	7 2	6211-341-053-20	8 1	6212-563-001-00	11 4
6209-605-004-10	1 3	6211-342-002-10	8 2	6212-565-001-00	11 5
6209-605-005-10	5 30	6211-361-069-00	7 1	6212-569-002-00	1 4
6209-610-001-10	5 3	6211-510-001-00	5 10		25 2
6209-610-002-10	9 4	6211-511-003-00	5 11	6212-571-006-00	11 6
6209-610-008-00	5 7	6211-511-004-00	5 12	6212-575-001-00	11 7
6209-610-009-00	5 4	6211-540-001-00	6 1	6212-600-002-10	11 8
6209-625-002-00	9 9	6211-560-001-00	6 3	6212-611-004-10	11 9
	25 12	6211-599-001-10	5 13	6212-616-002-00	11 16
6209-625-012-00	5 14		6 2	6212-620-001-20	11 10
	25 10		6 4	6212-626-002-10	11 11

Numerical Index

6003-097-240-00

Part Code	Fig.Key	Part Code	Fig.Key	Part Code	Fig.Key
6212-628-004-00	11 12	6213-721-007-00	5 23	6215-546-003-10	9 19
6212-628-005-00	11 13	6213-729-013-10	17 20	6215-548-012-00	22 1
6213-100-003-30	16 1	6213-743-002-10	17 23	6215-549-001-10	5 27
6213-111-001-30	16 2		25 20	6215-549-003-00	20 22
6213-119-001-00	16 6	6214-111-011-20	3 1	6215-549-007-10	20 27
6213-120-003-20	16 3	6214-115-001-20	3 2	6215-549-008-10	20 31
6213-125-001-00	16 4		25 6	6215-600-109-30	20 1
6213-129-003-00	16 5	6214-141-010-10	4 1	6215-611-002-00	27 1
6213-129-005-00	5 18	6214-145-001-30	4 2	6215-612-016-00	27 49
	9 8		25 7	6215-619-012-00	27 50
6213-129-006-00	5 16	6215-300-037-00	19 1	6215-619-014-00	27 53
	8 3	6215-311-005-00	26 16		27 57
	15 7	6215-315-002-00	19 2	6215-619-015-00	27 54
6213-140-023-00	16 8	6215-330-022-00	26 1	6215-619-016-00	27 55
6213-149-002-00	16 10	6215-332-006-00	26 15	6215-619-026-00	27 56
6213-160-002-20	9 30	6215-339-004-00	26 14	6215-619-030-00	27 52
6213-161-001-20	9 31	6215-342-002-00	26 13	6215-621-001-40	20 8
6213-164-001-00	9 32	6215-343-002-00	26 12	6215-622-002-00	27 12
6213-211-001-10	9 41	6215-345-044-00	26 2	6215-629-017-00	27 13
6213-240-002-10	16 15	6215-345-045-00	26 3	6215-629-018-00	27 14
6213-311-003-10	16 12	6215-345-046-00	26 4	6215-629-020-00	27 18
6213-319-004-00	9 2	6215-345-047-00	26 5	6215-629-021-00	27 19
6213-610-005-40	17 1	6215-345-048-00	26 6	6215-629-022-00	27 20
6213-611-003-20	17 2	6215-345-049-00	26 7	6215-629-023-00	27 21
6213-612-004-00	17 9	6215-345-050-00	26 8	6215-629-024-00	27 22
6213-613-002-10	17 8	6215-345-051-00	26 9	6215-629-025-00	27 23
6213-614-003-10	17 12	6215-345-052-00	26 10	6215-629-026-00	27 24
	25 18	6215-345-053-00	26 11	6215-629-027-00	27 25
6213-614-006-10	17 16	6215-359-003-00	26 17	6215-629-028-00	27 26
	25 19	6215-359-004-00	26 18	6215-629-029-00	27 27
6213-619-002-00	17 11	6215-411-074-10	21 2	6215-629-030-00	27 28
6213-619-003-00	17 10	6215-411-106-00	19 3	6215-629-031-00	27 29
6213-619-005-00	17 15	6215-411-107-00	19 4	6215-629-032-00	27 30
6213-621-003-00	17 6	6215-411-108-00	19 5	6215-629-033-00	27 31
6213-622-002-10	17 5	6215-412-006-00	21 1	6215-629-034-00	27 32
6213-631-002-00	17 3	6215-520-001-00	20 15	6215-629-068-00	27 33
6213-631-005-00	17 4	6215-526-004-00	20 17	6215-629-069-00	27 34
6213-641-002-10	18 2	6215-531-021-00	20 23	6215-629-070-00	27 35
6213-642-002-00	17 7	6215-541-001-10	20 18	6215-629-071-00	27 36
6213-660-007-00	18 1	6215-541-016-30	22 2	6215-629-072-00	27 37
6213-669-008-00	18 3	6215-541-024-30	20 24	6215-629-073-00	27 38
6213-671-003-00	18 5	6215-542-004-20	9 23	6215-629-074-00	27 39
6213-674-004-20	23 3	6215-542-005-10	9 25	6215-629-075-00	27 40
6213-711-003-20	17 27	6215-542-006-00	20 20	6215-629-076-00	27 41
6213-716-001-50	17 22	6215-543-001-10	20 19	6215-629-077-00	27 42

Numerical Index

6003-097-240-00

Part Code	Fig.Key	Part Code	Fig.Key	Part Code	Fig.Key
6215-629-078-00	27 43	6281-129-067-00	28 14	6901-911-020-00	8 4
6215-629-079-00	27 44	6281-129-068-00	28 15	6902-050-610-00	15 13
6215-629-080-00	27 45	6281-129-069-00	28 16	6902-050-816-00	9 45
6215-629-081-00	27 46	6281-129-070-00	28 17	6904-110-818-00	5 19
6215-629-082-00	27 47	6281-129-071-00	28 18	6904-110-822-00	9 5
6215-631-017-00	27 2	6281-129-072-00	28 21		9 49
6215-634-002-00	27 15	6281-129-073-00	28 22	6904-110-840-00	5 20
6215-635-002-00	27 8	6281-129-074-00	28 23	6904-110-850-00	9 7
6215-635-008-00	27 51	6281-129-075-00	28 24	6904-110-855-00	9 6
6215-637-008-00	27 48	6281-129-076-00	28 25	6909-110-406-00	9 36
6215-639-006-00	27 16	6281-129-077-00	28 26		20 28
6215-639-007-00	27 17	6281-129-078-00	28 27	6909-110-408-00	9 52
6215-641-007-00	27 3	6281-129-079-00	28 34		9 56
6215-643-002-00	27 4	6281-129-080-00	28 8		28 32
6215-644-002-00	27 6	6281-151-014-00	28 20	6909-110-410-00	23 7
6215-649-003-00	27 5	6281-200-007-00	23 1	6909-150-506-00	15 14
6215-649-004-10	27 7	6281-211-004-00	29 2	6909-150-508-00	28 31
6215-649-005-00	27 9	6281-213-016-10	29 1	6909-902-299-00	5 22
6215-649-006-10	27 10	6281-214-006-00	29 13	6909-906-105-10	16 13
6215-649-007-00	27 11	6281-222-010-10	29 3	6911-129-006-00	1 2
6219-310-003-20	9 37	6281-229-021-00	29 5	J061-210-015-00	17 21
6219-732-016-00	24 4	6281-229-022-00	29 6	P117-303-003-00	9 24
6219-752-001-00	20 2	6281-229-023-00	29 7	V211-560-802-50	4 3
6219-752-002-00	20 3	6281-229-024-00	29 8	V230-360-601-00	7 4
6219-752-003-00	20 4	6281-229-025-10	29 9	V230-360-601-20	5 26
6219-752-004-00	20 5	6281-229-026-00	29 10		24 7
6219-752-005-00	20 6	6281-229-027-00	29 11	V230-360-601-60	9 39
6281-100-014-00	23 8	6281-229-028-00	29 12	V231-360-801-60	9 13
6281-111-009-00	28 1	6281-229-031-00	29 4		16 11
6281-115-017-00	28 10	6281-270-001-10	23 2	V231-360-802-00	3 3
6281-115-018-00	28 11	6281-410-010-00	24 3		17 18
6281-117-003-00	28 4	6281-910-001-00	24 5		17 24
6281-118-007-00	28 3	6281-920-001-00	24 8		23 4
6281-119-009-00	28 2	6281-971-003-00	24 1	V231-360-802-50	17 29
6281-121-010-00	28 5	6282-450-002-00	24 2	V231-360-803-00	9 17
6281-124-011-00	28 6	6287-810-026-10	25 1	V231-360-804-00	3 4
6281-127-003-00	28 19	6294-453-002-00	5 21	V231-360-804-50	9 14
6281-129-029-00	28 29	6509-605-019-10	5 5		17 13
6281-129-030-00	28 28		9 3	V231-360-805-00	11 19
6281-129-043-00	28 30	6511-321-083-00	9 54	V231-360-805-50	9 11
6281-129-058-00	28 9	6513-770-022-10	17 26	V231-360-807-50	9 15
6281-129-062-00	28 33	6901-066-645-00	15 16		17 25
6281-129-064-00	28 7	6901-910-612-00	12 5	V231-360-808-50	9 10
6281-129-065-00	28 12		20 14	V341-120-008-00	9 21
6281-129-066-00	28 13	6901-910-625-00	16 7	V401-160-006-00	20 30

Numerical Index

1738-097-100-00

Part Code	Fig.Key	Part Code	Fig.Key	Part Code	Fig.Key
1105-106-001-00	9 5	1425-621-004-00	56 22	1427-406-014-00	72 17
1118-901-002-00	58 3	1427-111-229-00	3 15	1427-406-017-00	72 18
1302-225-003-00	17 3	1427-201-005-00	10 24	1427-406-018-00	31 23
	21 2	1427-201-007-00	10 22		38 3
	23 22		25 12	1427-432-016-00	35 6
	62 14	1427-201-008-00	10 23	1427-441-210-02	66 2
1305-241-001-00	50 10	1427-201-012-00	24 14		66 7
1305-931-003-00	44 26	1427-201-013-00	24 15	1427-501-003-00	39 3
1342-402-006-00	56 18	1427-201-014-10	24 16	1427-502-003-00	40 7
	56 30	1427-201-015-10	24 17	1427-511-001-00	44 13
1376-402-003-00	6 10	1427-203-002-00	12 4	1427-511-002-00	44 12
	6 15	1427-204-003-10	13 3	1427-511-003-00	44 20
	56 11	1427-209-200-00	17 11	1427-511-004-00	44 21
	56 16	1427-210-003-00	18 2	1427-511-005-00	44 27
	56 19		18 10	1427-511-220-00	44 10
	56 24	1427-210-008-10	17 1	1427-511-250-10	44 30
	56 26	1427-210-009-00	17 2	1427-511-270-00	44 17
	56 29	1427-210-011-00	17 6	1427-511-273-00	44 19
	56 31	1427-210-200-00	17 8	1427-511-280-00	44 23
1402-511-600-00	44 33	1427-212-002-00	20 6	1427-511-290-00	44 18
1404-117-008-00	7 9	1427-212-003-20	20 2	1427-511-300-00	44 24
1404-312-006-00	29 13		23 15	1427-511-320-00	44 9
	29 17		62 19	1427-601-003-00	17 15
1404-402-005-00	31 21	1427-301-002-20	24 1		21 8
	31 22	1427-301-005-00	24 4	1427-611-001-00	50 4
	38 2	1427-301-007-00	24 6	1432-616-002-00	29 51
1404-503-006-00	43 19	1427-301-009-00	24 7		46 12
1414-312-002-00	7 1	1427-301-013-20	24 22		50 12
	42 10	1427-301-014-10	24 23	1432-665-014-00	49 19
1415-102-007-00	4 3	1427-301-015-10	24 24	1434-120-005-00	8 16
1415-102-008-00	4 5	1427-301-016-00	24 25	1434-122-005-00	9 15
1415-102-013-00	4 11	1427-301-018-00	24 27	1434-122-007-00	9 9
1415-312-500-00	29 12	1427-301-019-00	24 29	1434-122-230-10	8 11
1416-501-011-00	41 3	1427-301-021-00	27 6	1434-203-002-00	12 11
1416-621-037-00	5 6	1427-307-002-10	26 2	1434-211-004-00	19 5
1421-122-003-00	9 10	1427-307-003-00	26 3	1434-317-201-10	64 2
1421-507-002-10	41 1	1427-406-001-00	72 3		64 7
1421-507-014-00	47 20	1427-406-002-00	72 4	1434-441-240-01	67 2
	52 19	1427-406-004-00	72 6		67 7
1421-603-004-00	6 3	1427-406-005-00	72 7	1434-501-003-10	39 17
	46 42	1427-406-006-00	72 8	1434-501-005-00	39 23
1423-520-001-10	44 25	1427-406-007-00	72 10	1434-501-006-00	41 10
1424-101-203-00	1 18	1427-406-008-00	72 11	1434-503-001-00	41 12
1424-101-204-00	1 19	1427-406-011-00	72 13	1434-503-002-00	41 15
1425-621-004-00	1 11	1427-406-013-00	72 16	1434-503-250-10	41 19

Numerical Index

1738-097-100-00

Part Code	Fig.Key	Part Code	Fig.Key	Part Code	Fig.Key
1434-503-260-20	41 22	1518-432-250-00	36 2	1568-525-300-10	44 32
1434-511-200-20	44 37	1518-621-320-00	55 20	1572-102-003-00	4 10
1434-511-210-00	44 34	1527-604-002-00	48 19	1575-261-203-00	34 7
1435-120-002-30	8 23		49 17	1579-501-200-00	39 1
1435-122-002-00	8 12		52 9	1581-521-642-00	23 37
1435-511-250-10	44 1	1544-104-205-00	3 4		62 36
1435-511-270-00	44 8	1544-215-015-00	15 9	1588-117-001-00	46 10
1440-103-201-00	4 6	1544-215-016-00	15 15	1588-651-205-00	55 15
1442-313-202-00	29 24	1544-304-006-10	24 10	1593-402-051-10	31 17
1444-102-202-00	4 2	1544-503-001-20	41 4	1594-105-001-00	2 2
1444-102-204-00	4 7	1544-503-200-20	41 5	1594-218-001-00	12 2
1444-122-002-00	29 31	1544-623-001-00	55 9		20 3
1444-314-009-10	10 33	1544-623-232-00	55 10	1600-117-002-00	7 8
	23 28	1544-623-233-00	55 11	1600-202-005-00	11 4
	62 27	1544-623-234-00	55 12	1600-203-006-00	12 8
1444-328-272-00	29 26	1544-623-235-00	55 13	1600-317-211-00	64 3
1444-328-273-00	29 25	1550-514-290-00	44 31		64 8
1444-411-006-00	24 2	1560-104-006-60	1 15	1600-502-003-00	15 5
1444-601-015-00	46 34	1560-104-010-40	1 17		16 4
	47 6	1560-111-003-20	46 28		40 8
	47 12	1560-132-007-30	29 21	1600-616-006-00	5 11
1480-212-003-00	23 9		29 33	1600-623-002-00	55 16
	62 9	1560-314-001-00	27 2	1600-624-004-00	56 17
1480-501-003-00	39 2		57 10	1600-624-201-00	55 27
1488-413-023-10	37 12		69 11	1600-902-002-10	59 3
1488-541-021-00	15 21	1560-401-004-40	48 4	1600-904-051-00	59 7
1491-120-001-00	8 17	1560-515-004-50	43 20	1612-102-005-00	1 5
1491-203-006-10	12 3	1560-525-001-40	44 2	1612-105-002-00	4 19
1491-204-002-10	13 5	1560-630-024-00	29 52	1612-111-210-00	5 5
1491-211-003-00	19 7	1560-658-202-00	54 17	1612-117-200-20	7 6
1491-307-201-00	26 4	1560-658-282-40	54 13	1612-406-001-00	31 18
1491-434-017-00	37 26		54 15	1612-434-006-00	37 21
1493-441-200-00	66 1	1560-664-250-00	55 22	1612-434-009-00	37 30
1493-441-201-00	66 3	1560-664-252-00	55 23	1612-505-220-00	42 11
	66 8	1560-664-253-00	55 24	1612-603-002-00	48 9
1493-441-210-00	66 6	1560-666-004-00	6 16	1612-690-001-00	5 10
1507-216-004-10	12 5		6 17	1614-102-213-00	1 3
	35 3		56 15	1614-102-214-00	1 4
1509-105-210-00	4 1		56 21	1614-111-002-10	46 26
1510-328-260-00	29 16		56 25	1614-215-006-00	15 14
1510-417-311-00	63 3	1564-201-003-00	37 2	1614-432-006-00	35 11
	63 8		37 18	1614-433-212-00	36 6
1510-417-312-00	63 4	1564-434-222-10	32 2	1614-501-006-00	15 19
	63 9	1564-667-002-00	15 20	1614-501-015-10	50 3
1518-306-203-00	36 3	1566-525-101-00	44 36	1614-505-002-00	42 5

Numerical Index

1738-097-100-00

Part Code	Fig.	Key	Part Code	Fig.	Key	Part Code	Fig.	Key
1614-505-003-00	42	6	1672-207-230-00	15	13	1674-410-301-00	65	6
1614-505-004-00	42	7	1672-207-240-00	15	8	1674-410-320-00	33	4
1614-505-007-00	42	15	1672-208-200-20	16	1		65	4
1614-603-008-00	48	18	1672-210-001-00	18	1	1674-520-004-00	45	6
1614-603-202-00	48	17	1672-210-002-00	18	6		68	6
1614-608-220-10	52	18	1672-210-003-10	18	9	1674-520-210-00	45	4
1614-630-002-00	47	9	1672-210-004-00	18	15		68	4
1614-670-001-10	54	21	1672-210-005-00	18	16	1674-619-300-10	52	26
1614-670-201-00	54	8	1672-211-009-10	19	10	1674-619-310-00	52	24
1614-670-240-00	54	7	1672-212-002-10	20	4	1674-652-200-00	53	1
1614-670-250-00	54	9	1672-216-310-00	21	6	1674-652-202-00	53	2
1614-670-281-00	54	14	1672-301-002-00	24	8	1674-654-004-00	49	13
1614-680-220-00	55	14	1672-301-003-00	24	3	1674-654-211-00	53	4
1617-102-005-00	1	14	1672-301-004-00	24	5		53	6
1620-255-208-00	23	26	1672-307-001-10	26	1	1674-654-212-00	53	5
	62	47	1672-406-001-00	72	5	1674-654-270-00	53	9
1620-410-001-10	70	1	1672-406-002-00	72	15	1674-654-271-00	53	10
1627-122-008-00	29	48	1672-406-003-00	72	12	1674-654-272-00	53	11
1636-271-013-00	15	7	1672-406-004-00	72	19	1674-654-400-00	49	11
1636-901-022-00	60	3	1672-406-005-00	31	5	1674-904-001-00	60	1
1640-658-322-00	54	3	1672-406-201-00	31	2	1674-904-002-10	60	6
1640-658-324-00	54	5	1672-406-230-00	31	16	1674-904-003-00	60	7
1640-658-325-00	54	6	1672-406-240-10	72	1	1674-904-004-00	60	8
1640-702-003-00	57	2	1672-406-250-00	72	2	1674-904-005-00	60	13
	69	3	1672-434-007-00	37	22	1674-904-008-00	60	4
1640-702-004-00	57	6	1672-434-008-00	37	25	1675-102-002-00	1	22
	69	7	1672-434-009-00	37	1	1675-102-004-00	1	7
1646-116-051-00	7	7	1672-434-011-10	37	17	1675-102-006-00	1	10
1650-104-201-00	3	5	1672-502-003-00	40	1	1675-104-002-00	3	9
1650-259-010-00	18	7	1672-502-004-00	40	4	1675-104-210-10	3	1
	18	17	1672-503-210-00	41	18	1675-104-211-00	3	2
1650-432-001-00	35	4	1672-601-001-00	48	14	1675-104-213-00	3	3
1650-601-007-00	46	5	1673-314-001-00	29	4	1675-112-002-00	6	5
1650-650-222-00	56	3		29	6	1675-116-001-00	7	5
1650-654-036-00	55	29	1673-525-002-20	33	5	1675-117-210-20	7	13
1672-103-001-00	2	5		44	3	1675-135-001-00	9	6
1672-105-211-00	4	9		44	35	1675-312-051-00	29	8
1672-111-002-00	5	3		45	5	1675-508-003-00	43	27
1672-111-230-00	5	13		57	8	1675-508-004-00	43	5
1672-120-006-00	8	13		65	5	1675-601-002-00	46	4
1672-120-007-00	8	15		68	5	1675-601-003-00	47	4
1672-122-001-20	9	12		69	9	1675-670-220-00	54	10
1672-202-002-20	11	7	1673-658-214-00	54	4	1675-670-230-00	54	19
1672-207-001-10	15	1	1673-730-008-00	29	34	1681-434-002-10	37	24
1672-207-002-10	15	17	1674-410-301-00	33	6	1682-111-300-00	5	4

Numerical Index

1738-097-100-00

Part Code	Fig.Key	Part Code	Fig.Key	Part Code	Fig.Key
1682-112-006-10	6 6	1682-902-005-00	59 1	1714-441-202-00	67 9
1682-120-001-00	8 22	1682-902-008-00	58 6	1714-441-220-00	67 6
1682-201-001-10	10 1	1682-902-009-00	59 4	1716-102-003-00	1 23
1682-202-001-00	11 1	1682-902-013-00	59 8	1716-104-001-00	3 7
1682-202-002-00	11 10	1682-902-014-00	59 6	1716-105-001-00	4 15
1682-202-003-00	11 11	1682-924-220-10	45 1	1716-112-230-00	6 9
1682-202-004-00	11 12	1683-102-220-00	1 21	1716-116-200-00	7 2
1682-203-001-00	12 7	1683-265-510-00	23 44	1716-120-200-00	8 19
1682-203-002-00	12 9		62 43	1716-601-003-00	47 19
1682-203-003-10	12 6	1683-603-004-00	48 1	1716-601-017-00	46 36
1682-203-004-00	12 10	1683-902-004-00	59 5	1716-602-002-10	47 2
1682-204-001-00	13 1	1684-203-200-40	12 1	1716-603-005-00	48 3
1682-205-001-00	14 1	1684-211-003-10	19 12	1716-680-006-00	55 7
1682-209-200-20	17 12	1688-201-055-10	10 2	1716-680-200-10	55 4
1682-211-002-20	19 14	1688-201-056-00	10 30	1716-690-502-00	56 2
1682-211-004-20	19 1	1688-312-001-10	29 10	1717-120-230-10	8 20
1682-211-007-00	19 13	1690-608-003-00	52 20	1717-304-001-00	24 19
1682-211-008-00	19 4	1703-104-003-00	3 6	1717-304-002-00	24 20
1682-211-210-00	19 6	1703-261-002-00	16 8	1717-306-001-30	25 1
1682-216-002-10	21 5	1703-310-202-00	28 2	1717-306-002-30	25 2
1682-216-006-00	21 1		28 6	1717-309-200-10	27 1
1682-216-007-10	21 15	1703-313-001-10	46 38	1717-310-001-00	28 11
1682-216-260-10	21 12	1703-432-001-00	35 8	1717-310-002-10	28 1
1682-216-270-10	21 9	1703-432-009-00	35 9	1717-310-003-10	28 5
1682-255-001-00	23 47	1703-432-011-00	35 10	1717-310-004-00	28 3
1682-255-002-20	23 8	1703-434-003-00	37 7		28 7
	62 8	1703-434-004-00	37 10	1717-310-200-00	28 9
1682-255-201-10	23 1	1703-435-001-00	37 42	1717-436-200-00	38 1
	62 2	1703-435-002-00	37 43	1717-501-002-00	39 11
1682-255-202-00	23 7	1704-705-003-00	52 10	1717-503-200-10	41 11
	62 7	1705-102-014-00	1 27	1717-603-002-00	48 13
1682-255-203-00	23 6	1705-902-006-00	60 2	1717-630-001-30	52 7
	62 6	1705-902-007-00	60 10	1717-630-002-10	52 8
1682-255-204-00	23 11	1705-904-001-00	60 12	1717-630-004-00	52 6
	62 11	1705-904-002-00	60 11	1725-120-211-00	34 2
1682-255-205-10	23 13	1709-603-001-00	48 10	1725-120-212-00	34 3
	62 12	1710-690-502-00	56 7	1725-120-213-00	34 4
1682-255-210-40	23 20	1714-317-200-00	63 1	1725-120-214-00	34 5
	62 22	1714-317-210-10	63 2	1725-120-216-00	34 6
1682-255-303-00	23 32		63 7	1725-266-001-00	16 9
	62 31	1714-317-220-00	63 6		42 16
1682-406-210-10	31 1	1714-441-200-00	67 1	1726-102-001-00	1 28
1682-406-230-10	72 9	1714-441-201-00	67 3	1726-102-200-10	1 25
1682-690-370-10	55 25		67 8	1726-102-210-00	1 1
1682-690-380-00	55 28	1714-441-202-00	67 4	1726-102-211-00	1 2

Numerical Index

1738-097-100-00

Part Code	Fig.Key	Part Code	Fig.Key	Part Code	Fig.Key
1726-103-200-00	2 1	1738-255-330-00	23 36	1738-514-210-00	44 5
1726-104-200-00	3 11		62 35	1738-520-001-00	45 7
1726-105-001-10	4 17	1738-309-001-10	27 3		68 7
1726-111-001-00	5 12	1738-312-005-00	29 43	1738-520-200-00	68 1
1726-111-200-20	5 8	1738-312-006-00	29 44	1738-601-001-00	46 33
1726-111-220-00	5 1	1738-312-007-00	29 45	1738-601-002-10	46 43
1726-112-002-10	6 11	1738-312-009-00	29 58	1738-601-003-10	46 45
1726-112-210-00	6 4	1738-312-200-00	29 41	1738-601-004-20	46 46
1726-406-260-00	31 13	1738-312-220-10	29 5	1738-601-200-00	46 29
1726-434-001-00	37 33	1738-312-240-00	29 54	1738-601-210-00	46 16
1726-434-004-00	37 34	1738-312-260-00	29 55	1738-603-001-00	48 2
1726-508-230-00	43 7	1738-312-280-00	29 29	1738-606-230-00	49 1
1726-601-001-00	46 17	1738-312-290-00	29 30	1738-606-240-00	49 5
1726-601-003-00	46 24	1738-312-300-10	29 36	1738-606-250-00	49 9
1726-601-004-00	46 21	1738-312-310-00	29 20	1738-611-200-00	50 1
1726-601-005-00	46 11	1738-312-320-20	29 1	1738-611-210-10	50 5
1726-601-006-10	46 37	1738-317-210-00	64 1	1738-611-220-10	50 7
1726-601-007-00	46 2	1738-317-220-00	64 6	1738-626-200-10	51 1
1726-601-008-00	46 30	1738-406-200-00	31 7	1738-630-001-10	52 14
1726-601-009-00	46 32	1738-406-210-00	31 12	1738-630-002-10	52 16
1726-601-011-00	46 7	1738-406-230-00	31 27	1738-630-003-10	52 17
1726-601-012-00	46 3	1738-406-240-00	31 20	1738-630-011-00	52 22
1726-601-014-00	46 22	1738-410-001-00	32 3	1738-630-012-00	52 15
1726-601-200-20	46 1	1738-410-210-00	32 1	1738-630-200-20	52 1
1726-601-220-00	46 14	1738-411-210-00	33 1	1738-630-210-10	52 2
1726-601-240-10	46 31	1738-411-300-10	65 1	1738-660-001-00	53 12
1726-603-004-00	48 16	1738-431-210-00	34 1	1738-670-210-00	54 1
1726-630-300-10	52 3	1738-431-220-00	34 9	1738-670-220-00	54 2
1738-105-210-00	4 21	1738-431-230-00	34 10	1738-690-200-00	56 1
1738-112-210-00	6 1	1738-432-200-00	35 1	1738-690-202-00	56 8
1738-120-210-20	8 1	1738-433-001-00	36 1	1738-690-203-00	56 10
1738-122-200-20	9 1	1738-433-200-10	36 5	1738-702-300-00	57 1
1738-205-200-00	14 2	1738-501-001-00	39 20		69 2
1738-207-200-10	15 4	1738-502-001-00	40 3	1738-702-310-00	57 11
1738-212-002-00	20 1	1738-502-210-10	40 10		69 12
1738-216-003-00	21 19	1738-505-002-10	42 13	1738-702-320-00	57 12
1738-216-220-00	21 17	1738-505-200-00	42 1		69 13
1738-218-200-00	22 1	1738-505-210-10	42 4	1738-702-400-00	69 1
1738-255-001-00	23 41	1738-508-001-00	43 31	1738-901-001-00	58 1
	62 40	1738-508-210-00	43 1	1738-901-002-00	58 2
1738-255-002-00	23 40	1738-508-220-00	43 2	1738-901-003-00	58 4
	62 39	1738-508-230-00	43 23	1738-902-003-00	59 2
1738-255-200-10	62 1	1738-508-240-00	43 29	1738-902-006-00	59 11
1738-255-310-10	23 30	1738-514-001-00	44 4	1738-902-007-00	59 12
	62 29	1738-514-002-00	44 15		62 46

Numerical Index

1738-097-100-00

Part Code	Fig.Key		Part Code	Fig.Key		Part Code	Fig.Key	
1738-904-001-00	60	14	3640-585-001-00	62	30	P103-601-005-00	46	20
1739-660-200-10	53	3	3650-270-214-00	54	12	P120-605-031-00	29	9
1739-660-212-00	53	7	3659-480-003-00	29	57	V120-264-001-20	54	16
1739-702-001-00	57	15	3668-612-001-00	29	37	V120-265-003-00	55	30
	69	16	3670-236-003-00	49	14	V120-266-002-00	49	15
1739-904-001-00	60	5	3670-520-008-00	23	38	V120-366-001-60	54	20
1740-313-300-00	29	23		62	37	V120-376-001-60	48	11
1740-313-301-00	29	27	3676-491-005-00	46	25		49	10
1740-602-051-00	47	5	3680-155-005-00	46	48	V120-376-002-00	48	8
1740-602-052-00	47	8	3737-172-011-00	56	23	V195-163-010-40	54	11
1740-602-053-00	47	10		56	27	V195-164-016-40	54	18
1740-602-054-00	47	11		56	28	V200-260-501-0B	5	7
1740-602-056-00	47	1	3740-162-005-00	47	14	V200-260-602-00	47	16
1740-602-057-00	47	3	3801-493-003-00	50	8	V200-360-604-00	23	34
1740-602-500-00	47	18	3821-262-202-00	56	4		62	33
1740-630-054-00	52	11	3821-262-204-00	56	5	V201-260-801-60	39	24
1740-630-055-00	52	12	3827-270-001-00	56	6	V201-260-802-00	46	39
1740-680-530-00	55	1	3827-270-002-00	56	9	V201-260-803-50	9	2
1740-680-550-00	55	8	4101-102-038-00	48	7		10	26
1740-903-053-00	59	10		49	3	V201-260-806-00	10	25
1740-903-055-10	59	9		49	7	V201-260-806-50	4	12
1750-208-001-10	16	6	7957-501-004-00	50	11	V201-260-808-00	3	13
1750-208-200-00	16	3	8654-901-002-00	60	9	V201-260-813-00	42	2
2130-713-002-10	7	10	J061-210-015-00	1	16	V201-261-001-60	6	12
2142-581-002-00	49	20	J061-224-032-00	1	12		56	12
2146-360-014-00	29	47		43	6	V201-261-006-00	25	8
2149-601-031-00	21	14	J061-230-038-00	1	9	V201-261-010-00	39	5
	23	33	J061-236-044-00	1	8	V201-261-203-00	44	38
	62	32		1	13	V201-261-204-00	25	3
2150-661-002-00	55	2	J061-242-050-00	3	8	V201-261-205-50	25	4
2161-331-001-00	58	5	J061-247-055-00	3	10	V201-261-206-00	25	5
2161-331-400-10	30	1	J062-081-087-00	4	20	V201-360-802-50	44	6
2161-331-401-10	30	2	J062-119-126-00	4	16	V201-361-009-00	23	2
2173-820-003-00	17	13		4	18		62	3
2186-536-211-00	55	5	K135-002-009-00	43	17	V201-361-202-50	8	9
2186-536-212-00	55	6	K135-017-006-00	43	12		26	9
2188-973-200-00	61	1	K135-023-000-00	43	10		33	2
2500-901-027-00	58	7	K135-023-100-00	43	11		37	40
2703-101-020-00	23	23	K211-001-000-00	41	8	V201-361-203-00	36	8
	62	23	K211-001-006-20	71	2		65	2
3610-440-018-00	46	6	K211-001-007-00	71	3	V201-361-203-50	70	2
3625-701-003-00	23	19	K211-001-008-00	71	4	V201-361-204-00	39	14
	62	21	K211-001-009-00	71	5		45	2
3640-585-001-00	21	13	K211-001-100-10	71	1		68	2
	23	31	K250-019-000-10	71	9	V201-361-204-50	51	3

Numerical Index

1738-097-100-00

Part Code	Fig.Key	Part Code	Fig.Key	Part Code	Fig.Key	
V201-361-206-00	39 15	V211-360-801-60	46 23	V252-341-003-00	10 3	
V201-361-213-00	51 4		46 44		10 14	
V203-361-002-00	8 7		46 47	V252-341-003-50	10 4	
V203-361-002-50	32 5		48 6	V252-341-202-50	10 9	
V203-361-003-00	2 3		49 4	V252-341-203-00	10 18	
V210-360-601-20	1 24	V211-360-802-00	49 8	V300-460-006-00	23 35	
	34 12		52 23		62 34	
	52 25		62 48	V301-260-006-00	6 7	
V210-360-601-60	10 34		1 20	V304-260-008-00	9 3	
	21 20		2 6		9 11	
V210-360-602-00	55 17		5 2		9 19	
	55 18		49 2		15 6	
	56 20		49 6		16 5	
	23 29		50 2		29 11	
	47 17		50 6		29 22	
V210-360-602-50	62 28	V211-360-802-50	52 13		29 32	
	55 19		57 16		29 53	
	V210-560-603-00		43 26		69 17	43 21
	V210-560-604-50		43 9		5 9	46 9
	V211-260-801-60		1 6		29 28	46 41
	1 26	V211-360-803-00	37 32	V304-260-010-00	10 5	
	4 22		15 2		10 11	
	5 14		33 7		10 15	
	8 5		65 7		24 30	
	8 18		V211-360-803-50	3 12		39 9
V211-260-802-00	9 18	V211-361-002-00	16 7	V304-260-012-00	42 9	
	41 21	V211-361-002-50	23 48		27 8	
	8 21	V211-361-003-50	10 21		29 46	
	15 12	V211-361-004-00	39 4		70 4	
	V211-260-802-50	10 32	V211-361-004-50		39 6	V304-260-016-00
V211-260-805-00	39 19	V211-560-802-00	15 18	V304-460-008-00	69 4	
	52 5	V211-560-802-50	24 18		21 16	
	41 9	V211-561-001-60	41 6		V304-460-010-00	31 11
	V211-261-002-00	21 18	V211-561-002-00		31 8	37 38
	V211-261-002-50	52 4	V211-561-003-00		37 5	V304-460-012-00
V211-261-003-50	55 26	V211-561-003-50	44 16	V304-460-014-00	22 3	
V211-360-801-60	6 2		37 36		53 14	
	23 27		V211-660-802-50		28 13	57 14
	34 11		V233-361-201-60		23 25	69 15
	42 14				62 25	V305-260-008-00
	43 4	V251-261-202-5D	10 8	V305-260-012-00	44 7	
	43 28	V251-261-205-50	27 7		44 11	
	43 30	V251-341-002-8D	37 37		V327-262-110-00	30 3
	46 13	V251-341-003-00	31 9		31 25	
	46 15	V252-261-005-50	10 10		38 5	

Numerical Index

1738-097-100-00

Part Code	Fig.Key	Part Code	Fig.Key	Part Code	Fig.Key
V328-262-110-00	7 11	V401-160-012-00	10 20	V411-260-008-00	49 18
V334-260-010-00	72 14		22 2		62 41
V334-260-020-00	31 3		25 6	V411-260-010-00	6 13
V334-460-010-00	8 6		26 10		10 7
	31 6		33 3		10 13
V335-260-012-00	55 21		36 9		10 17
V350-160-006-00	46 35		37 41		25 10
	47 7		39 16		29 49
	47 13		44 39		30 4
	48 15		45 3		39 7
V360-260-006-00	48 12		51 2		41 7
	55 3		65 3		42 8
V361-260-006-00	49 16		68 3		50 9
V362-260-008-00	5 15		70 3		56 13
	53 8	V401-160-014-00	53 13	V411-260-012-00	25 7
V363-260-008-00	33 8		57 13		27 9
	65 8		69 14		44 40
V401-160-006-00	29 39	V401-160-016-00	57 4		51 5
V401-160-008-00	3 14		69 5	V411-260-014-00	31 14
	4 13	V401-160-020-00	31 4	V411-260-016-00	44 29
	10 27	V401-170-008-00	43 18		57 5
	18 3	V411-260-004-00	49 12		69 6
	18 11	V411-260-005-00	41 17	V500-161-601-50	52 21
	24 11	V411-260-006-00	6 8	V500-162-001-50	23 43
	34 8		7 3		41 13
	42 3		7 14		41 16
	43 22		9 7		62 42
V401-160-010-00	2 4		29 40	V500-162-002-00	7 4
	6 14		41 14		7 15
	8 8		46 18		9 8
	10 6		47 15		17 5
	10 12	V411-260-008-00	48 5		27 5
	10 16		4 14		29 15
	23 3		9 13		29 19
	24 31		10 28		29 35
	25 9		17 7		30 5
	31 10		18 4		46 19
	31 24		18 12	V500-162-502-00	29 50
	32 6		23 42		31 26
	37 39		27 4		38 6
	38 4		29 14		44 14
	39 8		29 18	V500-162-502-50	7 12
	56 14		34 13		21 4
	62 4		46 8		31 15
V401-160-012-00	8 10		46 40	V500-163-001-50	9 14

Numerical Index

1738-097-100-00

Part Code	Fig.	Key	Part Code	Fig.	Key	Part Code	Fig.	Key
V500-163-002-00	8	14	V600-110-630-40	12	12	V705-140-052-00	23	17
V500-164-002-50	44	28		14	3		35	7
V511-100-805-00	29	2		19	2		62	18
	29	42		23	14	V706-140-040-00	35	16
V522-100-801-80	10	29		62	16		40	5
	15	3	V600-110-630-50	37	8	V706-140-050-00	35	15
	25	11	V600-110-630-60	26	5	V707-140-055-00	37	16
	39	10	V600-110-690-70	37	13	V707-140-062-00	37	9
V523-100-801-60	24	9	V607-110-620-40	11	8	V707-140-080-00	26	8
V523-101-002-40	10	31	V607-110-620-50	19	8	V720-101-900-70	39	21
	23	4	V607-110-630-40	20	5		41	20
	37	6	V653-622-282-00	13	2	V720-101-900-90	57	9
	37	31	V654-416-201-70	11	5		69	10
	37	35	V682-200-001-00	17	4	V720-102-401-00	4	4
	62	5		18	8		18	5
V530-240-502-40	24	26		18	18		18	13
V580-140-403-60	39	22		21	3		24	28
V580-140-502-00	17	9		23	21		41	23
	42	12		62	13	V720-102-401-40	17	14
V580-140-502-50	21	11	V682-200-001-90	28	4		21	7
	35	12		28	8		23	24
V580-140-503-20	17	16	V704-140-014-00	18	14		62	24
	44	22	V704-140-020-00	11	9	V720-102-401-60	25	13
V580-140-601-60	13	6		19	15	V720-102-401-80	28	10
V580-140-602-50	23	45		20	7	V720-103-504-20	36	4
	62	44	V704-140-022-00	13	4	V720-103-504-40	4	8
V580-140-602-80	8	24		29	3	V720-105-705-50	41	2
V580-140-604-00	23	10		29	56	V720-111-900-60	43	16
	62	10	V704-140-025-00	11	6		71	8
V600-110-600-50	37	11		19	9	V720-112-401-20	39	12
	37	23		23	12		39	18
V600-110-600-80	37	14		23	39		71	7
V600-110-600-90	24	12		31	19	V720-112-401-80	43	32
V600-110-601-00	24	13		35	5		57	7
	35	14		37	29		69	8
V600-110-620-40	11	3		62	15	V720-112-402-00	43	8
	14	4		62	38		43	25
	19	11	V704-140-030-00	26	7	V720-112-402-20	43	15
V600-110-620-50	23	16	V704-140-035-00	37	15	V720-113-502-80	43	3
	35	2		40	6	V721-103-107-00	36	7
	37	27	V705-140-028-00	15	10	V721-103-109-00	37	4
	62	17	V705-140-047-00	37	3	V721-103-111-50	28	12
V600-110-620-60	24	21		37	19	V721-113-105-00	43	14
	37	28	V705-140-052-00	12	13	V721-113-106-00	39	13
V600-110-620-80	26	6		19	3	V723-101-501-40	16	2

Numerical Index

1738-097-100-00

Part Code	Fig.Key	Part Code	Fig.Key	Part Code	Fig.Key
V723-102-003-00	15 11				
V742-135-500-60	40 2				
V744-114-280-70	43 13				
V744-120-350-70	8 2				
	11 2				
	14 5				
V744-135-520-80	23 18				
	62 20				
V744-135-550-80	20 8				
V760-150-000-00	29 38				
V763-150-000-00	8 3				
	9 4				
	29 7				
V780-140-000-10	32 4				
V780-140-000-1T	71 6				
V781-160-000-6B	23 5				
	62 26				
V782-160-000-2T	8 4				
	43 24				
V782-160-000-4B	37 20				
V881-005-001-20	66 4				
	66 9				
V889-000-081-60	64 4				
	64 9				
V999-200-003-00	63 5				
	63 10				
	64 5				
	64 10				
	66 5				
	66 10				
	67 5				
	67 10				

Alphabetical Index

6003-097-240-00

Description	Fig.Key	Description	Fig.Key	Description	Fig.Key
ADAPTER/210X070 ASSY	22 1	BOLT/FLANGE	23 6	DOWEL	5 21
ARM/CONTROL	20 27	BOLT/M10X1.25X82	1 7	DRIVE/TACHOMETE ASSY	9 37
ARM/FLOATING COMP	20 18	BOLT/M6	9 34	EYEBOLT	27 52
ARM/TENSION	22 2	BOLT/M6	9 35	FAN/COOLING	18 1
ARMATURE/STARTE ASSY	28 5	BOLT/M6X10	20 16	FLANGE BOLT	3 3
BALL	1 5	BOLT/M6X18	20 7	FLANGE BOLT	3 4
BEARING, BALL	29 4	BOLT/THROUGH	28 30	FLANGE BOLT	5 26
BEARING, RB/6002SS	15 8	BOLT/WS	16 6	FLANGE BOLT	7 4
BEARING, RB/6004	20 12	BOLT/WS	18 4	FLANGE BOLT	9 10
BEARING, RB/6005	9 51	BOLT/WS	23 9	FLANGE BOLT	9 11
BEARING, RB/6203	20 11	BRACKET ROCKER SHAFT	11 12	FLANGE BOLT	9 13
BEARING, THRUST CRANK	5 13	BRACKET, ROCKER SHAFT	11 13	FLANGE BOLT	9 14
BEARING, THRUST CRANK	6 2	BRUSH/STARTER	28 2	FLANGE BOLT	9 15
BEARING, THRUST CRANK	6 4	CAMSHAFT/INJPUMP	20 8	FLANGE BOLT	9 17
BEARING/CONNECTING R	6 5	CAP	29 13	FLANGE BOLT	9 39
BEARING/CONNECTING R	6 6	CAP, BLANK/30	9 40	FLANGE BOLT	11 19
BEARING/CONNECTING R	13 7	CAP, OIL FILLER	2 2	FLANGE BOLT	16 11
BEARING/CRANK/LOWER	5 12	CAP, SEALING	1 2	FLANGE BOLT	17 13
BEARING/CRANK/UPPER	5 11	CARTRIDGE/OILFILTER	16 15	FLANGE BOLT	17 18
BEARING/NEEDLE	28 8	CENTER CRANK PULLEY	15 12	FLANGE BOLT	17 24
BEARING/NEEDLE	28 9	CLAMP	29 9	FLANGE BOLT	17 25
BEARING/OILLESS	28 12	CLAMP, STRAINER	16 10	FLANGE BOLT	17 29
BEARING/OILLESS	28 14	CLAMP/WIRE/10-15	17 21	FLANGE BOLT	23 4
BEARING/OILLESS	28 16	CLUTCH/STARTER ASSY	28 6	FLANGE BOLT	24 7
BEARING/WATER PUMP	17 3	COLLAR	29 5	FLYWEI GHT	20 15
BEARING/WATERPUMP	17 4	CONNECTINGROD ASSY	13 5	FLYWHEEL ASSY	15 5
BEARING/WITH SHOCKAB	28 13	CONNECTOR/FUEL	21 1	FRAME/COMMUTATOR END	28 10
BELT VHMD34	18 5	CONNECTOR/GLOWPLUG	24 4	GASKET	2 5
BODY/OILPUMP	16 2	CONNECTOR/OILFILTER	9 2	GASKET	17 8
BODY/WATERPUMP	17 2	CONTROLROD	27 48	GASKET	24 6
BOLT	5 2	CONTROLSLEEVE	27 51	GASKET	25 5
BOLT	9 45	COUPLER	29 10	GASKET	25 22
BOLT	11 18	COVER	9 54	GASKET	26 17
BOLT	15 13	COVER	28 11	GASKET	27 5
BOLT	15 16	COVER/CYLINDER HEAD	2 1	GASKET	27 53
BOLT	16 7	COVER/INJECTIONPUMP	5 24	GASKET	27 55
BOLT	27 54	CRANKSHAFT ASSY	15 1	GASKET	27 57
BOLT, JOINT	16 13	CUP/SEALING/12	5 7	GASKET, EXH. MANI FOLD	4 2
BOLT, SEMS/M10X20	8 4	CUP/SEALING/16	9 4	GASKET, EXH. MANI FOLD	25 7
BOLT, SEMS/M6X12	12 5	CUP/SEALING/28	5 3	GASKET, INLET MANI FOL	3 2
BOLT, SEMS/M6X12	20 14	CUP/SEALING/36	5 4	GASKET, INLET MANI FOL	25 6
BOLT, SEMS/M6X25 7T	4 3	CUTTER, VALVE	11 5	GASKET, NOZZLE	19 2
BOLT/CONNECTINGROD	13 6	CYLINDERBLOCK ASSY	5 1	GASKET/COVER	5 25
BOLT/FLANGE	10 2	CYLINDERHEAD ASSY	1 1	GASKET/COVER	9 55
BOLT/FLANGE	15 9	DELIVERYVALVE	27 3	GASKET/COVER	25 11

Alphabetical Index

6003-097-240-00

Description	Fig.Key	Description	Fig.Key	Description	Fig.Key
GASKET/CYLINDERHEAD	1 6	METAL, CRANK SET	6 3	PIN	27 9
GASKET/CYLINDERHEAD	25 3	NIPPLE	5 22	PIN	27 13
GASKET/GEARCASE	9 29	NOZZLE	26 16	PIN, CONTROL	20 20
GASKET/GEARCASE	25 14	NUT	9 36	PIN, GROOVE	9 28
GASKET/HOUSING	17 23	NUT	11 17	PIN, PISTON	13 3
GASKET/HOUSING	25 20	NUT	20 28	PIN, STARTING SPRING	5 27
GASKET/PLATE	9 44	NUT	26 18	PIN/ARM	9 23
GASKET/PLATE	25 15	NUT	28 28	PIN/IDLEGEAR	5 6
GASKET/SPACER	17 16	NUT	28 29	PIN/SNAP	9 24
GASKET/SPACER	25 19	NUT	28 34	PIN/STRAIGHT	5 16
GASKET/WATER PUMP	17 12	NUT	29 8	PIN/STRAIGHT	5 18
GASKET/WATER PUMP	25 18	NUT, CAP/M 8	9 21	PIN/STRAIGHT	8 3
GEAR/CAMSHAFT	12 2	NUT/CAP	2 4	PIN/STRAIGHT	9 8
GEAR/CRANK	15 3	NUT/MD8	9 12	PIN/STRAIGHT	15 7
GEAR/IDLE ASSY	12 6	NUT/MD8	11 20	PIN/STRAIGHT	16 5
GEAR/INJECTIONPUMP	20 9	NUT/MD8	17 14	PIN/TUBE	5 15
GEAR/OILPUMP ASSY	16 3	NUT/MD8	17 19	PIN/TUBE	9 48
GEAR/STARTER PLANETA	28 17	NUT/M10	23 7	PIPE, OIL	16 12
GEAR/STARTERINTERNAL	28 18	NUT/MB	9 20	PIPE, WATER OUTLET	17 27
GEARCASE ASSY	9 1	NUT/MB	9 52	PIPE/FUEL	21 2
GENERATOR/12V-8.5A	23 1	NUT/MB	9 56	PIPE/INJECTION ASSY	19 3
GLOWPLUG	24 3	NUT/MB	28 32	PIPE/INJECTION ASSY	19 4
HANGER	10 1	NUT/NOZZLERETAINING	26 15	PIPE/INJECTION ASSY	19 5
HOLDER DELIVERY VALV	27 6	NUT/PINIONSTOP	28 23	PIPE/WATER PUMP	17 11
HOLDER/JE/9-9	9 16	O-RING	9 42	PIPE/WATERDRAIN	5 23
HOLDER/NOZZLE ASSY	26 1	O-RING	17 28	PISTON	13 1
HOLDER/STARTER ASSY	28 3	O-RING	25 21	PISTON/OV	14 1
HOSE/RABBER	2 6	O-RING 1A S50	9 47	PISTON/OV	14 3
HOSE/RUBBER	17 20	O-RING 1A S50	25 16	PISTON/VALVE/RELIEF	9 31
HOUSING, PUMP	27 1	O-RING/P 8	20 25	PLATE	27 49
HOUSING/STARTER ASSY	28 7	O-RING/P15	16 9	PLATE	28 27
HOUSING/THERMSTAT	17 22	O-RING/P15	25 17	PLATE COMP	29 1
INJECTIONNOZZLE ASSY	19 1	O-RING/P18	7 3	PLATE, THRUST	12 4
INJECTIONPUMP ASSY	20 1	OILPAN COMP	7 1	PLATE, THRUST INJPUMP	20 13
KEY/07X05X09	12 3	OILPUMP ASSY	16 1	PLATE/ADJUST	23 3
KEY/07X05X09	20 10	OILSEAL	5 14	PLATE/FRONT	9 43
KEY/07X05X43	15 4	OILSEAL	25 10	PLATE/REAR	8 1
LEVELGAGE	5 28	ORING	27 7	PLATE/T=1.80	27 18
LEVER/CONTROL COMP	20 24	ORING	27 10	PLATE/T=1.825	27 33
LEVER/PINI ONDRIVE	28 19	PACKING	9 22	PLATE/T=1.85	27 19
LINK, CONTROL	20 19	PACKING	16 14	PLATE/T=1.875	27 34
MANIFOLD(INLET) ASSY	3 1	PACKING	25 13	PLATE/T=1.90	27 20
MANIFOLD, EXH	4 1	PIN	5 17	PLATE/T=1.925	27 35
METAL, CRANK SET	5 10	PIN	9 25	PLATE/T=1.95	27 21
METAL, CRANK SET	6 1	PIN	15 2	PLATE/T=1.975	27 36

Alphabetical Index

6003-097-240-00

Description	Fig.Key	Description	Fig.Key	Description	Fig.Key
PLATE/T=2. 00	27 22	RING/0	9 38	SHIM/0. 54	26 8
PLATE/T=2. 025	27 37	RING/PISTON SET	13 2	SHIM/0. 56	26 9
PLATE/T=2. 05	27 23	RING/PISTON/OV SET	14 2	SHIM/0. 58	26 10
PLATE/T=2. 075	27 38	RING/PISTON/OV SET	14 4	SHIM/0. 80	26 11
PLATE/T=2. 10	27 24	RING/SNAP	28 21	SHIM/INJECTION P/0. 1	20 3
PLATE/T=2. 125	27 39	RING/SNAP	28 22	SHIM/INJECTION P/0. 2	20 4
PLATE/T=2. 15	27 25	RINGGEAR	15 6	SHIM/INJECTION P/0. 3	20 2
PLATE/T=2. 175	27 40	ROCKERARM	11 9	SHIM/INJECTION P/0. 4	20 5
PLATE/T=2. 20	27 26	ROCKERSHAFT ASSY	11 8	SHIM/INJECTION P/0. 5	20 6
PLATE/T=2. 225	27 41	ROD, PUSH	11 7	SLEEVE, FRANGE	27 8
PLATE/T=2. 25	27 27	ROTOR/OUTER	16 4	SOLENOID	24 5
PLATE/T=2. 275	27 42	ROTOR/WATERPUMP	17 6	SPACER	9 46
PLATE/T=2. 30	27 28	SCREW	27 11	SPACER	26 14
PLATE/T=2. 325	27 43	SCREW	27 50	SPACER, OIL FILTER	9 41
PLATE/T=2. 35	27 29	SCREW	28 33	SPACER, WATER PUMP	17 15
PLATE/T=2. 375	27 44	SCREW	29 11	SPACER/FAN/48	18 3
PLATE/T=2. 40	27 30	SCREW	29 12	SPRING	11 14
PLATE/T=2. 425	27 45	SCREW ADJUST	11 16	SPRING DELIVERY VALV	27 4
PLATE/T=2. 45	27 31	SCREW/WATER PUMP	17 10	SPRING, NOZZLE	26 12
PLATE/T=2. 475	27 46	SEAL SET/WATER PUMP	17 5	SPRING, PLUNGER	27 15
PLATE/T=2. 50	27 32	SEAL, BEARING CAP	5 8	SPRING, RETURN	20 26
PLATE/T=2. 525	27 47	SEAL, BEARING CAP	25 8	SPRING, SETTING	20 22
PLATE/WATER PUMP	17 9	SEAL, BEARING CAP/7	5 9	SPRING/GOVERNOR	20 23
PLUG	5 5	SEAL, BEARING CAP/7	25 9	SPRING/RELIEF VALVE	9 32
PLUG	9 3	SEAL, CYL. HEAD COVER	2 3	SPRING/STARTERBRUSH	28 4
PLUG	11 11	SEAL, CYL. HEAD COVER	25 4	SPRING/STARTING	20 31
PLUG	27 56	SEAL, OIL	1 4	SPRING/VALVE	11 3
PLUG/M14X1. 5	7 2	SEAL, OIL	9 9	STARTER	29 2
PLUG/PT1/2	1 3	SEAL, OIL	25 2	STARTER ASSY	23 8
PLUG/PT3/4	5 30	SEAL, OIL	25 12	STOPPER/FULLLOAD	9 19
PLUG/SCREW	9 26	SEAL/WATER PUMPPULE	17 7	STRAINER	16 8
PLUNGER ASSY	27 2	SEAT, SPRING	26 13	STUD	1 8
POINTER	8 2	SEAT, SPRING	27 16	STUD	5 19
PULLEY	15 11	SEAT, SPRING	27 17	STUD	5 29
PULLEY ASSY	15 10	SEAT, VALVE SPRING	11 4	STUD	9 5
PULLEY COMP	29 3	SHAFT, CAM	12 1	STUD	9 6
PULLEY, WATER PUMP	18 2	SHAFT/HYDRAULIC ASSY	9 50	STUD	9 7
REGULATOR	23 2	SHAFT/ROCKERARM ASSY	11 10	STUD	9 49
RELAY, SOLENOID	24 8	SHAFT/STARTER PLANET	28 15	STUD	17 17
REPAIR/ENGINESET	25 1	SHIM/0. 10	26 2	STUD/M8X40	5 20
RING, SNAP	13 4	SHIM/0. 20	26 3	SWITCH/MAGNETIC ASSY	28 20
RING, SNAP	27 14	SHIM/0. 30	26 4	SWITCH/OILPRESSURE	24 1
RING, SNAP/ 4 E	20 21	SHIM/0. 40	26 5	SWITCH/OVERHEAT	24 2
RING, SNAP/12 C	9 33	SHIM/0. 50	26 6	TAPPET	11 6
RING, SNAP/16 C	11 15	SHIM/0. 52	26 7	TAPPET	27 12

Alphabetical Index

1738-097-100-00

Description	Fig.Key	Description	Fig.Key	Description	Fig.Key
ADAPTER/BOLT/G3/8	43 31	BAND, WIRE/140	56 26	BEARING/NEEDLE	19 13
ARM, SHI FT	17 11	BAND, WIRE/140	56 29	BEARING/NEEDLE	23 8
ARM/BRAKE/LH COMP	29 54	BAND, WIRE/140	56 31	BEARING/NEEDLE	62 8
ARM/BRAKE/RH COMP	29 55	BAND, WIRE/250	56 18	BLOT/MI4X10	15 20
ARM/DI EF COMP	27 1	BAND, WIRE/250	56 30	BLUB/12V-21/5W	53 7
ARM/DI FFLOCK	24 29	BAND/CLEANER	3 6	BOARD/WI REING ASSY	54 10
ARM/KNUCKLE/LH	37 33	BATTERY/46B24R ASSY	6 4	BOLT	2 3
ARM/KNUCKLE/RH	37 34	BEARING	12 3	BOLT	23 34
ARM/LI FT	40 4	BEARING	15 9	BOLT	32 5
ARM/MI RROR ASSY	52 24	BEARING	37 13	BOLT	39 15
ARM/PITMAN	31 2	BEARING, BALL	72 10	BOLT	51 4
ARM/PLATE	46 7	BEARING, BALL	72 11	BOLT	62 33
ARM/POSITION COMP	42 4	BEARING, CLUTCH RS	8 17	BOLT	72 19
ARM/POSITION COMP	42 11	BEARING, NEEDLE	12 8	BOLT(S) MI0X25	52 4
ARM/PTO COMP	21 9	BEARING, NR/KT162017	11 5	BOLT(S) 7	41 6
ARM/PTO/MI D ASSY	23 36	BEARING, NR/TLA222820	13 2	BOLT(SP)/M6X16	10 34
ARM/PTO/MI D ASSY	62 35	BEARING, RB/6005	37 11	BOLT(SP)/M6X16	21 20
ARM/SHI FT/MAIN COMP	15 13	BEARING, RB/6005	37 23	BOLT(SP)/M6X16	55 17
ARM/SHI FT/MI D COMP	23 20	BEARING, RB/6008	37 14	BOLT(SP)/M6X16	55 18
ARM/SHI FT/MI D COMP	23 44	BEARING, RB/6009	24 12	BOLT(SP)/M6X16	56 20
ARM/SHI FT/MI D COMP	62 22	BEARING, RB/6010	24 13	BOLT, ADJUST	72 16
ARM/SHI FT/MI D COMP	62 43	BEARING, RB/6010	35 14	BOLT, SEMS	1 24
ARM/SHI FT/PTO COMP	21 6	BEARING, RB/6204	11 3	BOLT, SEMS	16 7
ARM/SHI FT/SUB COMP	16 1	BEARING, RB/6204	14 4	BOLT, SEMS	21 18
ARM/STEERING ASSY	31 16	BEARING, RB/6204	19 11	BOLT, SEMS	34 12
ARM/SUB COMP	16 3	BEARING, RB/6204NR	11 8	BOLT, SEMS	39 4
BALL	17 4	BEARING, RB/6205	23 16	BOLT, SEMS	52 25
BALL	18 8	BEARING, RB/6205	35 2	BOLT, SEMS	55 26
BALL	18 18	BEARING, RB/6205	37 27	BOLT, SEMS (SP)	6 2
BALL	21 3	BEARING, RB/6205	62 17	BOLT, SEMS (SP)	23 27
BALL	23 21	BEARING, RB/6205NR	19 8	BOLT, SEMS (SP)	34 11
BALL	28 4	BEARING, RB/6206	24 21	BOLT, SEMS (SP)	42 14
BALL	28 8	BEARING, RB/6206	37 28	BOLT, SEMS (SP)	43 4
BALL	62 13	BEARING, RB/6208	26 6	BOLT, SEMS (SP)	43 28
BAND	6 16	BEARING, RB/6304	12 12	BOLT, SEMS (SP)	43 30
BAND	6 17	BEARING, RB/6304	14 3	BOLT, SEMS (SP)	46 13
BAND	56 15	BEARING, RB/6304	19 2	BOLT, SEMS (SP)	46 15
BAND	56 21	BEARING, RB/6304	23 14	BOLT, SEMS (SP)	46 23
BAND	56 25	BEARING, RB/6304	62 16	BOLT, SEMS (SP)	46 44
BAND, WI RE/140	6 10	BEARING, RB/6304NR	20 5	BOLT, SEMS (SP)	46 47
BAND, WI RE/140	6 15	BEARING, RB/6305	37 8	BOLT, SEMS (SP)	48 6
BAND, WI RE/140	56 11	BEARING, RB/6306	26 5	BOLT, SEMS (SP)	49 4
BAND, WI RE/140	56 16	BEARING/BALL	11 4	BOLT, SEMS (SP)	49 8
BAND, WI RE/140	56 19	BEARING/BALL 6305SH2	12 2	BOLT, SEMS (SP)	52 23
BAND, WI RE/140	56 24	BEARING/BALL 6305SH2	20 3	BOLT, SEMS (S) MBX16	1 6

Alphabetical Index

1738-097-100-00

Description	Fig.Key	Description	Fig.Key	Description	Fig.Key
BOLT, SEMS (S) MBX16	1 26	BOLT/M12X25	37 40	BOLT/SP	23 48
BOLT, SEMS (S) MBX16	4 22	BOLT/M12X30	10 18	BOLT/SP	29 28
BOLT, SEMS (S) MBX16	5 14	BOLT/M12X30	36 8	BOLT/SP	33 7
BOLT, SEMS (S) MBX16	8 5	BOLT/M12X30	44 38	BOLT/SP	37 32
BOLT, SEMS (S) MBX16	8 18	BOLT/M12X30	65 2	BOLT/SP	47 17
BOLT, SEMS (S) MBX16	9 18	BOLT/M12X35	70 2	BOLT/SP	49 2
BOLT, SEMS (S) MBX16	41 21	BOLT/M12X40	25 3	BOLT/SP	49 6
BOLT, SEMS(SP)	62 48	BOLT/M12X40	39 14	BOLT/SP	50 2
BOLT, SEMS/MBX25 7T	24 18	BOLT/M12X40	45 2	BOLT/SP	50 6
BOLT, SM/MD8X25	15 5	BOLT/M12X40	68 2	BOLT/SP	52 13
BOLT, SM/MD8X25	16 4	BOLT/M12X45	51 3	BOLT/SP	55 19
BOLT, SM/MD8X25	40 8	BOLT/M12X55	25 4	BOLT/SP	57 16
BOLT/ADJUST	29 10	BOLT/M12X60	25 5	BOLT/SP	62 28
BOLT/ADJUST	72 15	BOLT/M12X12	54 16	BOLT/SP	65 7
BOLT/BATTERY	6 5	BOLT/M5X16	48 4	BOLT/SP	69 17
BOLT/KNOB/MD6X13	47 19	BOLT/M5X30	55 30	BOLT/STUD	10 3
BOLT/KNOB/MD6X27	52 20	BOLT/M8X20	15 18	BOLT/STUD	10 9
BOLT/M 6X20	47 16	BOLT/M8X25	18 2	BOLT/STUD	10 14
BOLT/M 8X130	42 2	BOLT/M8X25	18 10	BOLT/STUD	27 7
BOLT/M 8X16	39 24	BOLT/M8X25	24 10	BOLT/STUD	31 9
BOLT/M 8X20	46 39	BOLT/M8X25	28 13	BOLT/STUD/M10X35	31 5
BOLT/M 8X25	44 6	BOLT/M8X28 11T	43 17	BOLT/STUD/SEAL	10 8
BOLT/M 8X35	9 2	BOLT/M8X30	17 6	BOLT/STUD/SEAL	37 37
BOLT/M 8X35	10 26	BOLT/M8X45	21 15	BOOT	9 15
BOLT/M 8X60	10 25	BOLT/M8X50	41 9	BOOT	55 24
BOLT/M 8X65	4 12	BOLT/S	8 21	BOOT, CHANGE	15 15
BOLT/M 8X80	3 13	BOLT/S	10 32	BOOT/HORN	55 13
BOLT/MD6X08/APSET	4 10	BOLT/S	15 12	BOOT/STEERING	48 9
BOLT/M10X1.25X20	8 7	BOLT/S	37 36	BOX ASSY	72 1
BOLT/M10X100	39 5	BOLT/S	39 19	BRACKET COMP	8 11
BOLT/M10X16	6 12	BOLT/S	43 9	BRACKET COMP	46 16
BOLT/M10X16	56 12	BOLT/S	43 26	BRACKET/AXLE ASSY	32 1
BOLT/M10X20	31 8	BOLT/S	52 5	BRACKET/BATTERY COMP	6 1
BOLT/M10X30	37 5	BOLT/S	72 5	BRACKET/CLEANER COMP	3 11
BOLT/M10X30	44 16	BOLT/SEAL	5 7	BRACKET/COUPLER/7P	55 25
BOLT/M10X35	10 4	BOLT/SET/M16X60	57 2	BRACKET/FILTER COMP	4 21
BOLT/M10X35	10 21	BOLT/SET/M16X60	69 3	BRACKET/GRILLE COMP	47 18
BOLT/M10X45	39 6	BOLT/SM/MBX1.25X30	34 7	BRACKET/LAMP	53 12
BOLT/M10X55	10 10	BOLT/SP	1 20	BRACKET/LEVER COMP	5 13
BOLT/M10X60	25 8	BOLT/SP	2 6	BRACKET/LEVER COMP	42 1
BOLT/M10X90	23 2	BOLT/SP	3 12	BRACKET/RADIATO COMP	1 25
BOLT/M10X90	62 3	BOLT/SP	5 2	BRACKET/REAR COMP	31 27
BOLT/M12X25	8 9	BOLT/SP	5 9	BRACKET/REFLECTOR	49 9
BOLT/M12X25	26 9	BOLT/SP	15 2	BRACKET/SEAT COMP	50 7
BOLT/M12X25	33 2	BOLT/SP	23 29	BRACKET/SEAT/F COMP	50 5

Alphabetical Index

1738-097-100-00

Description	Fig.Key	Description	Fig.Key	Description	Fig.Key
BRACKET/SEAT/R COMP	50 1	CAP, TIRE VALVE	67 5	CLUTCH/DIFFLOCK	24 22
BRACKET/STEERING COMP	31 7	CAP, TIRE VALVE	67 10	COLLAR	55 2
BRACKET/TANK COMP	5 8	CAP/FUEL ASSY	5 4	COLLAR, PINION THRUST	24 4
BULB	54 12	CAP/OIL/30	50 3	COLLAR, SHIFTER	23 23
BULB/12V/45/40W	53 2	CAP/PARKING	46 38	COLLAR, SHIFTER	62 23
BULB/12V/5W	53 10	CAP/SEAL/47	37 2	COLLAR, THRUST	12 11
BULB/12V21W	53 4	CAP/SEAL/47	37 18	COLLAR, THRUST	24 6
BULB/12V21W	53 6	CAP/STEERING	30 2	COLLAR/21X36X1	23 9
BULB/12V5W	53 5	CASE ASSY	54 19	COLLAR/21X36X1	62 9
BULB/LAMP/12V/1.7W	54 14	CASE, DIFF	24 1	COLLAR/22X34X2	13 3
BUSH	29 37	CASE, SPRING	17 2	COLLAR/25X32X3	12 5
BUSH, LEVER	6 3	CASE, SYLINDER	39 1	COLLAR/25X32X3	35 3
BUSH, LEVER	46 42	CASE/DIFF	35 8	COLLAR/26X36X3	19 5
BUSH/25X28X25	31 17	CASE/FINAL	37 1	COLLAR/48X52X17	35 4
BUSH/25X28X27	23 37	CASE/FINAL	37 17	CONNECTOR	1 17
BUSH/25X28X27	62 36	CASE/JOINT/A COMP	34 9	COUPLING/16X27X62	8 23
BUSH/35X39X26	32 2	CASE/JOINT/B COMP	34 10	COVER	46 28
BUSH/35X39X30	39 3	CASE/PTO/M/D	23 1	COVER ASSY	3 2
BUSH/40X43X30	39 2	CASE/PTO/M/D	62 2	COVER, DUST	31 23
BUSH/62X67X30	36 6	CASE/STEERING ASSY	31 1	COVER, DUST	38 3
BUSH/COLUMN	72 12	CASE/TRANSMISSION/F	10 1	COVER, PUMP	43 12
BUTTON	29 26	CASE/TRANSMISSION/RE	10 2	COVER, SIDE	72 6
CABLE	33 6	CHAIN, CHECK RH	44 10	COVER/CHANGE	52 14
CABLE	65 6	CHAIN/CHECK/148 COMP	44 8	COVER/CLUTCH/18 COMP	8 19
CABLE ASSY	54 21	CLAMP, HARNESS	56 23	COVER/DUSH/F	48 1
CABLE/ACCELERATOR	7 13	CLAMP, HARNESS	56 27	COVER/DUSH/R	48 2
CABLE/BATTERY ASSY	6 9	CLAMP, HARNESS	56 28	COVER/DUSH/REAR	48 13
CABLE/EARTH	6 11	CLAMP/32	2 5	COVER/FUSE	56 6
CABLE/HOOD COMP	46 3	CLAMP/WIRE/10-15	1 16	COVER/LH	52 16
CABLE/PEDAL ASSY	7 2	CLAMP/WIRE/24-32	1 12	COVER/PLATE	23 47
CAM, DIFF-LOCK	24 25	CLAMP/WIRE/24-32	43 6	COVER/PLATE	48 10
CAP	1 3	CLAMP/WIRE/30-38	1 9	COVER/RH	52 17
CAP	4 6	CLAMP/WIRE/36-44	1 8	COVER/SAFETY/LH/F	46 43
CAP, BLANK/52	23 19	CLAMP/WIRE/36-44	1 13	COVER/SAFETY/LH/R	46 45
CAP, BLANK/52	62 21	CLAMP/WIRE/42-50	3 8	COVER/SAFETY/RH	46 46
CAP, OIL ASSY	36 2	CLAMP/WIRE/47-55	3 10	COVER/SHIELD COMP	22 1
CAP, PTO SHAFT	10 33	CLEANER/AIR ASSY	3 1	COVER/SIDE/LH COMP	46 29
CAP, PTO SHAFT	23 28	CLIP	3 5	COVER/SIDE/RH COMP	46 31
CAP, PTO SHAFT	62 27	CLIP(B)	48 19	COVER/SWITCH	55 7
CAP, TIRE VALVE	63 5	CLIP(B)	49 17	COVER/TOP ASSY	72 2
CAP, TIRE VALVE	63 10	CLIP(B)	52 9	COVER/WHEEL	37 30
CAP, TIRE VALVE	64 5	CLIP/HOSE/11.9-12.6	4 16	CRANK/LIFT	40 3
CAP, TIRE VALVE	64 10	CLIP/HOSE/11.9-12.6	4 18	CUM/BRAKE COMP	28 9
CAP, TIRE VALVE	66 5	CLIP/HOSE/8.1-8.7	4 20	CUSHION, RUBBER	3 15
CAP, TIRE VALVE	66 10	CLUTCH	19 4	DISK/CLUTCH/184 COMP	8 20

Alphabetical Index

1738-097-100-00

Description	Fig.Key	Description	Fig.Key	Description	Fig.Key
ELEMENT	4 9	GEAR/SPUR/14-33	11 12	HITCH/FRONT SET	65 1
ELEMENT ASSY	3 3	GEAR/SPUR/15	11 1	HITCHI /DRAWBARSET	68 1
ESCUTCHEON	54 7	GEAR/SPUR/15	23 13	HOLDER	7 5
FENDER/LH COMP	49 1	GEAR/SPUR/15	62 12	HOLDER, PINION SHAFT	24 7
FENDER/RH COMP	49 5	GEAR/SPUR/16-34	12 6	HOLDER/15	43 27
FILTER/FUEL	4 1	GEAR/SPUR/17-24	12 7	HOLDER/COVER	46 37
FILTER/SUCTION COMP	43 1	GEAR/SPUR/18-20	19 12	HOLDER/HOOD	46 21
FLANGEBOLT	23 25	GEAR/SPUR/19	19 10	HOLDER/JE/9-9	1 11
FLANGEBOLT	62 25	GEAR/SPUR/19	20 4	HOLDER/JE/9-9	56 22
FLASHER ASSY	55 16	GEAR/SPUR/19-25	11 10	HOLDER/ROD	46 20
FORK	44 19	GEAR/SPUR/20	14 1	HOLDER/SHAFT ASSY	29 36
FORK/BRACKET COMP	44 24	GEAR/SPUR/20-23	13 1	HOOD COMP	46 1
FORK/RELEASE	8 12	GEAR/SPUR/30	12 9	HOOD/LAMP	47 8
FORK/SHIFT/1ST	18 6	GEAR/SPUR/32	11 11	HOOD/LH	52 11
FORK/SHIFT/2ND	18 15	GEAR/SPUR/33	12 10	HOOD/RH	52 12
FORK/SHIFT/DIFFLOCK	24 23	GEAR/SPUR/33 COMP	19 6	HOOD/UPPER	46 24
FORK/SHIFT/FRONT	17 1	GEAR/SPUR/34	23 7	HOOK	9 6
FORK/SHIFT/SUB	18 16	GEAR/SPUR/34	62 7	HOOK, SPRING	39 23
FRAME/LH COMP	57 11	GLASS	54 8	HOOK, TOP LINK	44 36
FRAME/LH COMP	69 12	GLIP/YELLOW	21 13	HORN ASSY	55 1
FRAME/REAR COMP	51 1	GLIP/YELLOW	23 31	HOSE	1 4
FRAME/RH COMP	57 12	GLIP/YELLOW	62 30	HOSE/03X07X800	46 26
FRAME/RH COMP	69 13	GRILLE	47 1	HOSE/08X13X110	4 17
FRAME/SF-182 SET	69 1	GRIP	49 14	HOSE/08X13X300	4 15
FRAME/UPPER COMP	57 1	GRIP/03X17X97	42 15	HOSE/170	1 14
FRAME/UPPER COMP	69 2	GRIP/12X50	15 7	HOSE/290	1 15
FUNNEL ASSY	61 1	GRIP/MAIN	16 8	HOSE/650	4 19
FUSE/BLADE/32V10A	56 4	GRIP/ORANGE	29 27	HOSE/70	43 5
FUSE/BLADE/32V20A	56 5	GRIP/ORANGE/10.5	17 13	HOSE/CLEANER/OUTLET	3 9
FUSE/SLOWBLOW	56 3	GRIP/THROTTLE	7 7	HOSE/RADIATOR/INLET	1 7
FUSE/SLOWBLOW/30A	56 2	GROMMET/10X40X03	55 29	HOSE/RADIATOR/OUTLET	1 10
GASKET	2 2	GROMMET/13X17X5	49 19	HOUSING ASSY	54 9
GAUGE/FUEL ASSY	5 5	GROMMET/15	49 20	HOUSING/AXLE	36 1
GAUGE/OIL	15 19	GUIDE/CHANGE	21 19	HOUSING/AXLE/LH	25 1
GEAR	54 4	GUIDE/PTO/M/D	23 40	HOUSING/AXLE/RH	25 2
GEAR PUMP SET	43 11	GUIDE/PTO/M/D	62 39	HOUSING/CLUTCH COMP	8 1
GEAR, WHEEL/58	26 2	HANDLE	46 4	HUB/SPACER COMP	44 5
GEAR/BEVEL/11	37 7	HANDLE/ADJUST	44 21	INSULATOR	1 5
GEAR/BEVEL/12	37 22	HARNES, OIL PRESSURE	56 17	INSULATOR	1 22
GEAR/BEVEL/14	24 5	HARNES/EARTH	56 7	INSULATOR	1 28
GEAR/BEVEL/15	35 10	HARNES/LAMP	53 11	INSULATOR	5 12
GEAR/BEVEL/15	37 10	HARNES/MAIN/E4 ASSY	56 1	INSULATOR	27 2
GEAR/BEVEL/47	37 25	HARNES/SOCKET ASSY	55 28	INSULATOR	29 52
GEAR/SPUR/11/LH	24 19	HEAD/CYLINDER	39 11	INSULATOR	45 6
GEAR/SPUR/11/RH	24 20	HITCH/FRONT COMP	33 1	INSULATOR	46 2

Alphabetical Index

1738-097-100-00

Description	Fig.Key	Description	Fig.Key	Description	Fig.Key
INSULATOR	46 36	LABEL/RADIATOR	60 7	METAL, DIFF-CASE RH	24 15
INSULATOR	47 9	LABEL/ROPS	60 13	METAL/BRAKE	28 11
INSULATOR	48 14	LABEL/SPEED	60 14	METAL/INPUT	10 24
INSULATOR	48 16	LABEL/SWITCH/MAIN	59 9	METAL/PIVOT/REA ASSY	36 5
INSULATOR	48 17	LABEL/TRAILER	60 8	METAL/PTO	10 30
INSULATOR	52 6	LABEL/W/FAN	60 2	METAL/SHIFT	15 1
INSULATOR	57 10	LABEL/W/STARTER	60 10	METER ASSY	54 2
INSULATOR	68 6	LABEL/WARNING/BELT	60 4	MIRROR ASSY	52 26
INSULATOR	69 11	LABEL/WARNING/HOT	60 5	MUFFLER COMP	2 1
INSULATOR/120	16 9	LAMP/COMBINATION SET	53 3	NEEDLE	71 5
INSULATOR/120	42 16	LAMP/HEAD ASSY	53 1	NET/GURILLE	47 5
INSULATOR/30X30X200	32 3	LAMP/NUMBERPLATE SET	53 9	NET/SIDE	46 33
INSULATOR/36	5 10	LEVER	4 2	NET/SIDE/LH	47 10
INSULATOR/380	47 3	LEVER	55 11	NET/SIDE/RH	47 11
INSULATOR/550	1 23	LEVER COMP	7 6	NET/WIRE COMP	1 2
INSULATOR/75	5 11	LEVER/4WD COMP	17 12	NIPPLE, GREASE	29 38
INSULATOR/LH	46 30	LEVER/MAIN COMP	15 4	NIPPLE, GREASE	31 21
INSULATOR/RH	46 32	LEVER/PARKING ASSY	29 23	NIPPLE, GREASE	31 22
KEY	55 5	LEVER/POSITION	42 13	NIPPLE, GREASE	38 2
KIT/JOINT	34 2	LEVER/PTO COMP	21 12	NIPPLE, GREASE/PT1/8	8 3
KNOB	55 12	LEVER/PTO/MID COMP	23 30	NIPPLE, GREASE/PT1/8	9 4
KNOB	55 15	LEVER/PTO/MID COMP	62 29	NIPPLE, GREASE/PT1/8	29 7
LABEL, CONTROL	59 3	LEVER/SUB	16 6	NUT	7 11
LABEL/4WD	59 7	LINING/11X30X02	42 6	NUT	9 3
LABEL/BATTERY	60 11	LINING/11X40X03	7 8	NUT	9 11
LABEL/CAUTION/BATTERY	60 3	LINK BRACKET	44 37	NUT	9 19
LABEL/CE	58 7	LINK SHIFT ARM	41 22	NUT	10 5
LABEL/COLUMN/LH	59 10	LINK, CRANK	41 12	NUT	10 11
LABEL/COLUMN/RH	59 11	LINK, TOP LH COMP	44 30	NUT	10 15
LABEL/CONTROL/ADJUST	59 8	LINK/LOWER COMP	44 1	NUT	15 6
LABEL/CONTROL/MAIN	59 1	LINK/SPOOL COMP	41 11	NUT	16 5
LABEL/CONTROL/PARKING	59 6	LINK/SUPPORT COMP	41 18	NUT	24 30
LABEL/CONTROL/PTO	59 4	LINK/TOP/RH COMP	44 32	NUT	29 11
LABEL/CONTROL/SUB	59 2	LINKPIN	33 5	NUT	29 22
LABEL/DIFF	59 5	LINKPIN	44 3	NUT	29 32
LABEL/DRAWBAR	45 7	LINKPIN	44 35	NUT	29 53
LABEL/DRAWBAR	68 7	LINKPIN	45 5	NUT	31 3
LABEL/DRIVE	60 1	LINKPIN	57 8	NUT	39 9
LABEL/ETHER	60 6	LINKPIN	65 5	NUT	42 9
LABEL/FUEL	60 12	LINKPIN	68 5	NUT	43 21
LABEL/FUSE/E4	56 10	LINKPIN	69 9	NUT	46 9
LABEL/PTO	60 9	LOCKPLATE	29 8	NUT	46 41
LABEL/PTO/MID	58 6	MAT/FLOOR/LH	52 7	NUT	49 16
LABEL/PTO/MID	59 12	MAT/FLOOR/RH	52 8	NUT	55 21
LABEL/PTO/MID	62 46	METAL, DIFF-CASE LH	24 14	NUT	55 23

Alphabetical Index

1738-097-100-00

Description	Fig.Key	Description	Fig.Key	Description	Fig.Key
NUT, LOCK/16	44 23	0-RING	15 11	PACKING/RUBBER	5 6
NUT, RING	4 7	0-RING G60	39 13	PACKING/RUBBER	50 4
NUT, SPEED/P6	46 35	0-RING HS90 G50	43 14	PAD/120	5 3
NUT, SPEED/P6	47 7	0-RING P6 HS90	43 16	PANEL/INSTRUMEN ASSY	54 1
NUT, SPEED/P6	47 13	0-RING P6 HS90	71 8	PEDAL/BRAKE/LH SET	29 1
NUT, SPEED/P6	48 15	0-RING/G115	28 12	PEDAL/BRAKE/RH COMP	29 5
NUT, TOP LINK LOCK	44 33	0-RING/G70	36 7	PEDAL/CLUTCH COMP	9 1
NUT/M 6	6 7	0-RING/G90	37 4	PIN	10 29
NUT/M 6	23 35	0-RING/P 7	39 21	PIN	10 31
NUT/M 6	62 34	0-RING/P 7	41 20	PIN	15 3
NUT/M 8	40 9	0-RING/P 9	57 9	PIN	23 4
NUT/M 8	44 7	0-RING/P 9	69 10	PIN	24 8
NUT/MD8	43 20	0-RING/P10A	4 4	PIN	24 9
NUT/M10	31 11	0-RING/P10A	18 5	PIN	25 11
NUT/M10	37 38	0-RING/P10A	18 13	PIN	37 6
NUT/M10	72 14	0-RING/P10A	24 28	PIN	37 31
NUT/M10 7T P=1.25	8 6	0-RING/P10A	41 23	PIN	37 35
NUT/M10 7T P=1.25	31 6	0-RING/P12	39 12	PIN	39 10
NUT/M10X1.25	30 3	0-RING/P12	39 18	PIN	54 5
NUT/M10X1.25	31 25	0-RING/P12	71 7	PIN	62 5
NUT/M10X1.25	38 5	0-RING/P14	17 14	PIN SPLIT W 6.0X16	13 6
NUT/M12	10 19	0-RING/P14	21 7	PIN, BACK GEAR	13 5
NUT/M12	22 3	0-RING/P14	23 24	PIN, HAIR	44 26
NUT/M12	27 8	0-RING/P14	62 24	PIN, HAIR	50 10
NUT/M12	29 46	0-RING/P16	25 13	PIN, HAIR	50 11
NUT/M12	44 11	0-RING/P18	28 10	PIN, LIFT ARM	40 7
NUT/M12	70 4	0-RING/P18	43 32	PIN, ROD COMP	41 5
NUT/M12/LH	29 47	0-RING/P18	57 7	PIN, SPLIT/1.6X15	52 21
NUT/M14	53 14	0-RING/P18	69 8	PIN, SPLIT/2 X15	23 43
NUT/M14	57 14	0-RING/P20	43 8	PIN, SPLIT/2 X15	41 13
NUT/M14	69 15	0-RING/P20	43 25	PIN, SPLIT/2 X15	41 16
NUT/M16	57 3	0-RING/P22	43 15	PIN, SPLIT/2 X15	62 42
NUT/M16	69 4	0-RING/P44	4 8	PIN, SPLIT/2 X20	7 4
NUT/M22	55 10	0-RING/P55	41 2	PIN, SPLIT/2 X20	7 15
NUT/M6	48 12	ORNAMENT/3160	58 4	PIN, SPLIT/2 X20	9 8
NUT/M6	55 3	ORNAMENT/I	58 3	PIN, SPLIT/2 X20	17 5
NUT/M6	21 16	ORNAMENT/I/STEERING	58 5	PIN, SPLIT/2 X20	27 5
NUT/M6	29 21	ORNAMENT/ISEKI/LH	58 1	PIN, SPLIT/2 X20	29 15
NUT/M6	29 33	ORNAMENT/ISEKI/RH	58 2	PIN, SPLIT/2 X20	29 19
NUT/RING	55 6	PACKING	1 19	PIN, SPLIT/2 X20	29 35
NUT/SPRING	48 3	PACKING	4 11	PIN, SPLIT/2 X20	30 5
NUT/WASHER	5 15	PACKING	36 3	PIN, SPLIT/2 X20	46 19
NUT/WASHER	33 8	PACKING, OIL PUMP	43 19	PIN, SPLIT/2.5X20	29 50
NUT/WASHER	53 8	PACKING, SIDE COVER	72 7	PIN, SPLIT/2.5X20	31 26
NUT/WASHER	65 8	PACKING, TOP COVER	72 3	PIN, SPLIT/2.5X20	38 6

Alphabetical Index

1738-097-100-00

Description	Fig.Key	Description	Fig.Key	Description	Fig.Key
PIN, SPLIT/2. 5X20	44 14	PIN/SUPPORT COMP	41 19	PLUG/SCREW/SEAL	62 26
PIN, SPLIT/2. 5X25	7 12	PINION/BEVEL SET	12 1	PLUG/SCREW/SEAL	71 6
PIN, SPLIT/2. 5X25	21 4	PINION/BEVEL SET	35 1	PROTECTOR/040	46 48
PIN, SPLIT/2. 5X25	31 15	PINION/BEVEL/11	35 9	PTO/M/D SET	62 1
PIN, SPLIT/3 X15	9 14	PINION/BEVEL/12	24 3	PUMP GEAR ASSY	43 10
PIN, SPLIT/3 X20	8 14	PIPE/123	26 3	RABEL/FUSE/SLOWBLOW	56 8
PIN, SPLIT/4 X25	44 28	PIPE/63	19 7	RADIATOR ASSY	1 1
PIN, SPRING 3X32	39 22	PIPE/CLEANER	3 7	REFLECTOR ASSY	49 11
PIN, SPRING/5 X20 W	17 9	PIPE/DELIVERY/FRONT	43 23	RIM/WHEEL/600IX10	67 2
PIN, SPRING/5 X20 W	42 12	PIPE/DELIVERY/REAR	43 29	RIM/WHEEL/600IX10	67 7
PIN, SPRING/5 X25 W	21 11	PIPE/SUC/FRONT COMP	43 7	RING, BACKUP	41 3
PIN, SPRING/5 X25 W	35 12	PIPE/SUCTION/REAR	43 2	RING, SNAP/14 C	18 14
PIN, SPRING/5 X32 W	17 16	PISTON	41 1	RING, SNAP/20C	11 9
PIN, SPRING/5 X32 W	44 22	PLATE	42 5	RING, SNAP/20C	19 15
PIN, SPRING/6 X25 W	23 45	PLATE/BATTERY	6 6	RING, SNAP/20C	20 7
PIN, SPRING/6 X25 W	62 44	PLATE/BUMPER	70 1	RING, SNAP/22 C	13 4
PIN, SPRING/6 X28 W	8 24	PLATE/FRICTION	28 3	RING, SNAP/22 C	29 3
PIN, SPRING/6 X40 W	23 10	PLATE/FRICTION	28 7	RING, SNAP/22 C	29 56
PIN, SPRING/6 X40 W	62 10	PLATE/GUIDE	15 17	RING, SNAP/25	12 4
PIN, TAPER/8X50	29 2	PLATE/HITCH COMP	45 1	RING, SNAP/25 C	11 6
PIN, TAPER/8X50	29 42	PLATE/I/30X50	23 26	RING, SNAP/25 C	19 9
PIN, TOP LINK	44 34	PLATE/I/30X50	62 47	RING, SNAP/25 C	23 12
PIN, YOKE A	29 13	PLATE/I/38X60	46 22	RING, SNAP/25 C	23 39
PIN, YOKE A	29 17	PLATE/L/28X28	29 58	RING, SNAP/25 C	31 19
PIN/08X19	29 34	PLATE/L/38X114	57 15	RING, SNAP/25 C	35 5
PIN/10X154	50 8	PLATE/L/38X114	69 16	RING, SNAP/25 C	37 29
PIN/10X25	29 48	PLATE/LOCK COMP	46 14	RING, SNAP/25 C	62 15
PIN/10X32	44 13	PLATE/PARKING/A	29 43	RING, SNAP/25 C	62 38
PIN/12X75	8 13	PLATE/PARKING/B	29 44	RING, SNAP/28 C	15 10
PIN/12X75	35 11	PLATE/PRESSURE/LH	28 1	RING, SNAP/30 C	26 7
PIN/15X42 COMP	31 13	PLATE/PRESSURE/RH	28 5	RING, SNAP/35 C	37 15
PIN/16X44	44 27	PLATE/SEPARATER	28 2	RING, SNAP/35 C	40 6
PIN/16X63	44 25	PLATE/SEPARATER	28 6	RING, SNAP/47 C	37 3
PIN/20X51	23 6	PLATE/STOP COMP	52 18	RING, SNAP/47 C	37 19
PIN/20X51	62 6	PLUG	1 18	RING, SNAP/52 C	12 13
PIN/20X58	57 6	PLUG	71 4	RING, SNAP/52 C	19 3
PIN/20X58	69 7	PLUG, DRAIN	10 22	RING, SNAP/52 C	23 17
PIN/22X404	44 4	PLUG, DRAIN	25 12	RING, SNAP/52 C	35 7
PIN/30X120 COMP	33 4	PLUG, OIL/PT1/4	72 18	RING, SNAP/52 C	62 18
PIN/30X120 COMP	65 4	PLUG/7P	55 27	RING/E	54 3
PIN/30X162 COMP	45 4	PLUG/SCREW	32 4	RING/O	16 2
PIN/30X162 COMP	68 4	PLUG/SCREW/SEAL	8 4	RING/O	36 4
PIN/5X17	41 15	PLUG/SCREW/SEAL	23 5	RING/O	43 3
PIN/ADJUST	39 20	PLUG/SCREW/SEAL	37 20	RING/SNAP	26 8
PIN/SLITTED	24 26	PLUG/SCREW/SEAL	43 24	RING/SNAP	34 3

Alphabetical Index

1738-097-100-00

Description	Fig.Key	Description	Fig.Key	Description	Fig.Key
RING/SNAP	35 15	SEAL, OIL/TC20357	11 2	SPRING, SHIFTER	23 22
RING/SNAP	35 16	SEAL, OIL/TC20357	14 5	SPRING, SHIFTER	62 14
RING/SNAP	37 9	SEAL, OIL/TC35528	23 18	SPRING, TENSION/121	27 6
RING/SNAP	37 16	SEAL, OIL/TC35528	62 20	SPRING, TENSION/31	41 10
RING/SNAP	40 5	SEAL, OIL/TC35558	20 8	SPRING, TENSION/53	7 1
RIVET	52 10	SEAL, OIL/VC35506	40 2	SPRING, TENSION/53	42 10
ROD	29 24	SEAL/QLNY35571116	37 26	SPRING, VALVE	4 3
ROD	41 4	SHACKLE	44 12	SPRING/HCO23	18 7
ROD, CLUTCH (A)	9 9	SHAFT	37 21	SPRING/HCO23	18 17
ROD/115 COMP	29 29	SHAFT	37 42	SPRING/HCO24	21 14
ROD/193	27 3	SHAFT	37 43	SPRING/HCO24	23 33
ROD/355 COMP	29 20	SHAFT, CROSS	72 8	SPRING/HCO24	62 32
ROD/70 COMP	29 30	SHAFT, DIFF. PINION	24 2	SPRING/HCO60	15 14
ROD/CLUTCH/B	9 12	SHAFT/4WD ASSY	34 1	SPRING/HCO94	9 5
ROD/DRAG ASSY	31 20	SHAFT/BRAKE SET	29 41	SPRING/HCO50	8 16
ROD/HOOD	46 17	SHAFT/CHANGE	11 7	SPRING/HE089	46 10
ROD/LIFT/LH COMP	44 17	SHAFT/DRIVE/PTO	19 1	SPRING/HE106	29 4
ROD/LIFT/RH COMP	44 18	SHAFT/FRONT COMP	14 2	SPRING/HE106	29 6
ROD/M12X66	29 45	SHAFT/INPUT	8 22	SPRING/HE110	29 57
ROD/STEERING COMP	31 12	SHAFT/LIFT	40 1	SPRING/HOOD	46 11
ROD/TIE/589 ASSY	38 1	SHAFT/PTO	20 1	SPRING/WASHER	42 7
ROD/TIE/M/D	23 41	SHAFT/PTO/M/D	23 11	STAY COMP	52 3
ROD/TIE/M/D	62 40	SHAFT/PTO/M/D	62 11	STAY, SHIFTER	17 8
RUBBER, CUSHION	29 51	SHAFT/WHEEL	26 1	STAY, SHIFTER	24 24
RUBBER, CUSHION	46 12	SHAFT/WHEEL	37 24	STAY/INSULATOR	48 18
RUBBER, CUSHION	50 12	SHIFTER/PTO	21 1	STAY/PLATE	44 15
S. W	43 18	SHIM DIFF-CASE A	24 16	STAY/PTO/PARKIN COMP	21 17
SCREW	44 20	SHIM DIFF-CASE B	24 17	STAY/SHIF/1ST	18 1
SCREW	54 17	SHIM TOP COVER	72 4	STAY/SHIF/2ND	18 9
SCREW	54 20	SHIM/T=0.7	15 21	STAY/SHIF/PTO	21 5
SCREW, SEMS	49 15	SHROUD COMP	1 21	STEERING/2/380 ASSY	30 1
SCREW/4X16	54 18	SLEEVE	8 15	STEP/LH COMP	52 1
SCREW/BALL ASSY	72 9	SLEEVE	20 2	STEP/RH COMP	52 2
SCREW/MBX16	46 25	SLEEVE	23 15	STOPPER/CRANK COMP	40 10
SCREW/SP	48 8	SLEEVE	62 19	SUBCONCOVER	39 17
SCREW/SP	48 11	SOCKET	54 13	SWITCH ASSY	55 9
SCREW/SP	49 10	SOCKET	54 15	SWITCH, STOP	55 20
SCREW/TAPPING	54 11	SPRING	29 25	SWITCH/HAZARD ASSY	55 8
SEAL, OIL	37 12	SPRING	44 2	SWITCH/MAIN ASSY	55 4
SEAL, OIL	43 13	SPRING	71 2	SWITCH/PUSH SET	55 22
SEAL, OIL/21	35 6	SPRING	71 3	SWITCH/ROTARY/2 ASSY	55 14
SEAL, OIL/MISA19368	72 13	SPRING, PRESS/22	7 9	TANK/FUEL COMP	5 1
SEAL, OIL/MISA26388	72 17	SPRING, PRESS/40	24 27	TAPE/10X20	49 13
SEAL, OIL/QLF488011.5	26 4	SPRING, SHIFTER	17 3	TIRE	64 3
SEAL, OIL/TC20357	8 2	SPRING, SHIFTER	21 2	TIRE	64 8

Alphabetical Index

1738-097-100-00

Description	Fig.Key	Description	Fig.Key	Description	Fig.Key
TIRE	66 3	WASHER	47 15	WASHER, SP/M10	2 4
TIRE	66 8	WASHER	54 6	WASHER, SP/M10	6 14
TIRE, F. TURF212-80-15	63 3	WASHER / M16	44 29	WASHER, SP/M10	8 8
TIRE, F. TURF212-80-15	63 8	WASHER / M16	57 5	WASHER, SP/M10	10 6
TIRE/8-16-4/LH ASSY	64 1	WASHER / M16	69 6	WASHER, SP/M10	10 12
TIRE/8-16-4/RH ASSY	64 6	WASHER / M6	6 8	WASHER, SP/M10	10 16
TIRE/FRONT/LH ASSY	66 1	WASHER / M6	7 3	WASHER, SP/M10	23 3
TIRE/FRONT/RH ASSY	66 6	WASHER / M6	7 14	WASHER, SP/M10	24 31
TIRE/TURF	67 3	WASHER / M6	9 7	WASHER, SP/M10	25 9
TIRE/TURF	67 8	WASHER / M6	29 40	WASHER, SP/M10	31 10
TIRE/TURF/LH ASSY	63 1	WASHER / M6	41 14	WASHER, SP/M10	31 24
TIRE/TURF/LH ASSY	67 1	WASHER / M6	46 18	WASHER, SP/M10	32 6
TIRE/TURF/RH ASSY	63 6	WASHER / M6	48 5	WASHER, SP/M10	37 39
TIRE/TURF/RH ASSY	67 6	WASHER /M12	25 7	WASHER, SP/M10	38 4
TOOL/FUSE	56 9	WASHER /M12	27 9	WASHER, SP/M10	39 8
TRIM/130	1 27	WASHER /M12	44 40	WASHER, SP/M10	56 14
TRIM/265	47 2	WASHER /M12	51 5	WASHER, SP/M10	62 4
TRIM/290	52 15	WASHER, PL/M 4	49 12	WASHER, SP/M12	8 10
TRIM/70	47 4	WASHER, PL/M 8	4 14	WASHER, SP/M12	10 20
TRIM/715	52 22	WASHER, PL/M 8	9 13	WASHER, SP/M12	22 2
TUBE	63 4	WASHER, PL/M 8	10 28	WASHER, SP/M12	25 6
TUBE	63 9	WASHER, PL/M 8	17 7	WASHER, SP/M12	26 10
TUBE	67 4	WASHER, PL/M 8	18 4	WASHER, SP/M12	33 3
TUBE	67 9	WASHER, PL/M 8	18 12	WASHER, SP/M12	36 9
TUBE/ 8-16	64 4	WASHER, PL/M 8	23 42	WASHER, SP/M12	37 41
TUBE/ 8-16	64 9	WASHER, PL/M 8	27 4	WASHER, SP/M12	39 16
TUBE/10X12X50	23 32	WASHER, PL/M 8	29 14	WASHER, SP/M12	44 39
TUBE/10X12X50	62 31	WASHER, PL/M 8	29 18	WASHER, SP/M12	45 3
TUBE/SHIFT/MAIN COMP	15 8	WASHER, PL/M 8	34 13	WASHER, SP/M12	51 2
TUBE/TIRE	66 4	WASHER, PL/M 8	46 8	WASHER, SP/M12	65 3
TUBE/TIRE	66 9	WASHER, PL/M 8	46 40	WASHER, SP/M12	68 3
TURNBUCKLE	9 10	WASHER, PL/M 8	49 18	WASHER, SP/M12	70 3
TURNBUCKLE 12 COMP	44 9	WASHER, PL/M 8	62 41	WASHER, SP/M14	53 13
TURNBUCKLE/M6	29 31	WASHER, PL/M14	31 14	WASHER, SP/M14	57 13
TURNBUCKLE COMP	44 31	WASHER, SEAL/16	10 23	WASHER, SP/M14	69 14
U-NUT	29 9	WASHER, SP/M 6	29 39	WASHER, SP/M16	57 4
VALVE	3 4	WASHER, SP/M 8	3 14	WASHER, SP/M16	69 5
VALVE SET	71 1	WASHER, SP/M 8	4 13	WASHER, SP/M20	31 4
VALVE CONTROL ASSY	41 8	WASHER, SP/M 8	10 27	WASHER/12X25X02	46 5
VALVE/RELIEF ASSY	71 9	WASHER, SP/M 8	18 3	WASHER/15X24X2	17 15
VIS	4 5	WASHER, SP/M 8	18 11	WASHER/15X24X2	21 8
WASHER	7 10	WASHER, SP/M 8	24 11	WASHER/20X28X2	20 6
WASHER	41 17	WASHER, SP/M 8	34 8	WASHER/20X32X02	19 14
WASHER	46 6	WASHER, SP/M 8	42 3	WASHER/24X9X3. 2	48 7
WASHER	47 14	WASHER, SP/M 8	43 22	WASHER/24X9X3. 2	49 3

Alphabetical Index

1738-097-100-00

Description	Fig.Key	Description	Fig.Key	Description	Fig.Key
WASHER/24X9X3. 2	49 7				
WASHER/25X34X02	23 38				
WASHER/25X34X02	62 37				
WASHER/26X35X02	31 18				
WASHER/6X14X3	46 34				
WASHER/6X14X3	47 6				
WASHER/6X14X3	47 12				
WASHER/6X24X2	47 20				
WASHER/6X24X2	52 19				
WASHER/M10	6 13				
WASHER/M10	10 7				
WASHER/M10	10 13				
WASHER/M10	10 17				
WASHER/M10	25 10				
WASHER/M10	29 49				
WASHER/M10	30 4				
WASHER/M10	39 7				
WASHER/M10	41 7				
WASHER/M10	42 8				
WASHER/M10	50 9				
WASHER/M10	56 13				
WHEEL/12X3. 00D COMP	66 2				
WHEEL/12X3. 00D COMP	66 7				
WHEEL/15X7JA COMP	63 2				
WHEEL/15X7JA COMP	63 7				
WHEEL/16X5JA COMP	64 2				
WHEEL/16X5JA COMP	64 7				
YOKE COMP	29 16				
YOKE, LH	29 12				
YOKE/CLAMP	34 4				
YOKE/SHAFT	34 5				
YOKE/SLEEVE	34 6				