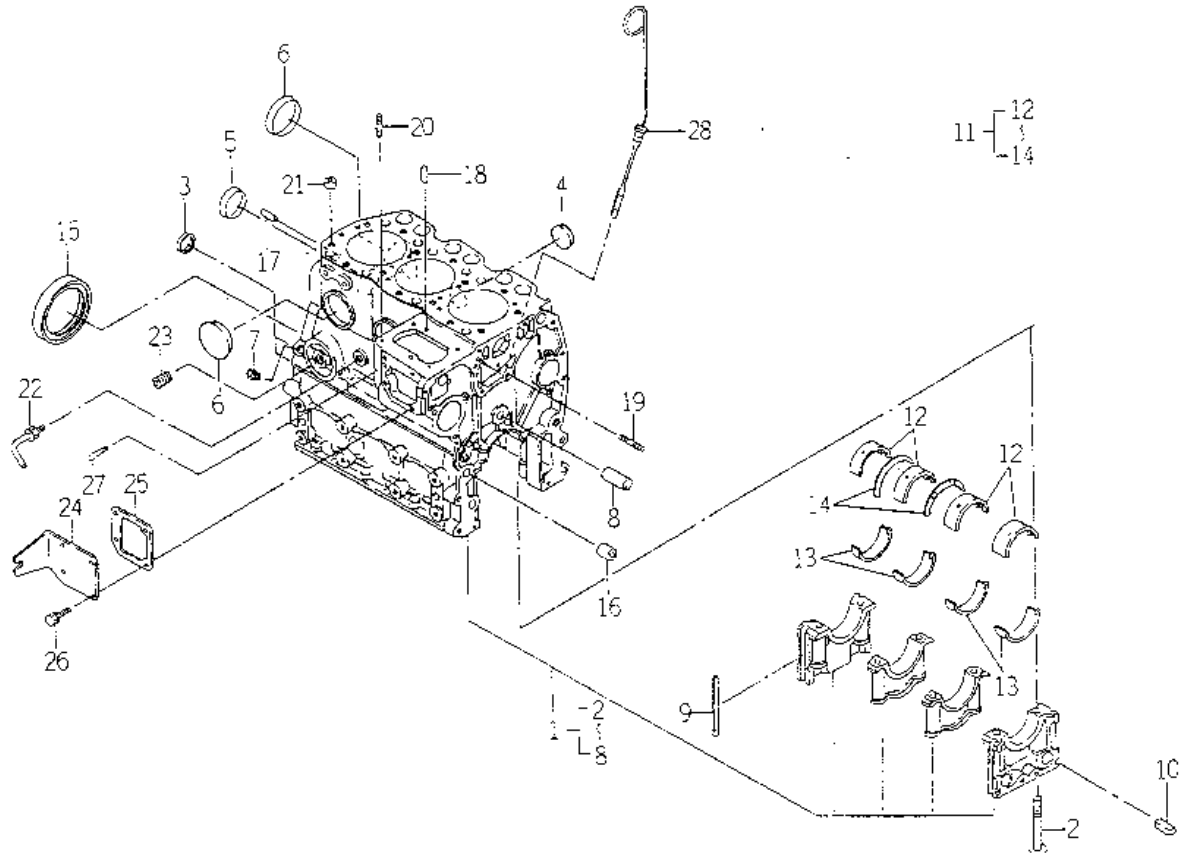


目 次

TF325F(H) engine

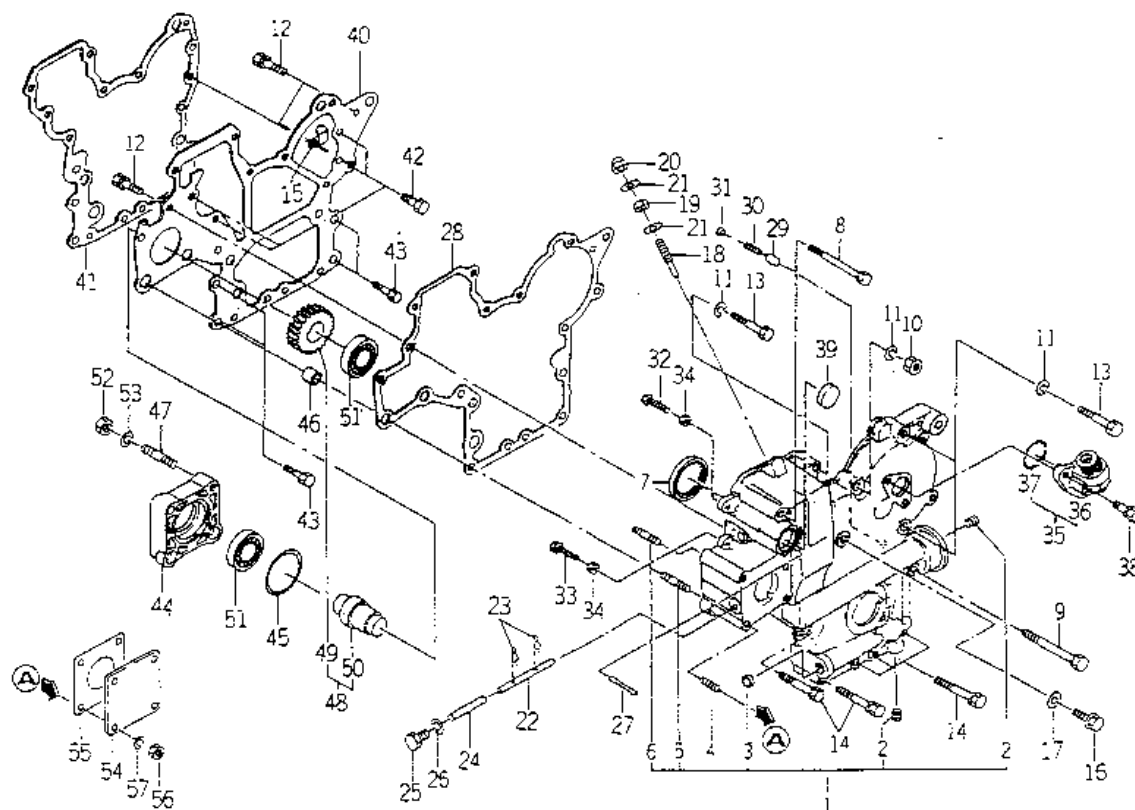
*CYLINDER HEAD.....	Fig. 1
*CYLINDER HEAD COVER.....	Fig. 2
*INLET MANIFOLD.....	Fig. 3
*EXHAUST MANIFOLD.....	Fig. 4
*CYLINDER BLOCK.....	Fig. 5
*BEARING/UNDER SIZE.....	Fig. 6
*OIL PAN.....	Fig. 7
*REAR PLATE.....	Fig. 8
*TIMING GEAR CASE.....	Fig. 9
*HANGER.....	Fig. 10
*VALVE.....	Fig. 11
*CAM SHAFT.....	Fig. 12
*PISTON.....	Fig. 13
*PISTON/OVER SIZE.....	Fig. 14
*CRANK SHAFT.....	Fig. 15
*OIL PUMP.....	Fig. 16
*WATER PUMP.....	Fig. 17
*COOLING FAN.....	Fig. 18
*INJECTION NOZZLE.....	Fig. 19
*INJECTION PUMP.....	Fig. 20
*FUEL PIPE.....	Fig. 21
*ELECTRIC(1).....	Fig. 22
*ELECTRIC(2).....	Fig. 23
*6215-300-005-00.....	Fig. 24
*6215-600-078-00.....	Fig. 25
*6281-100-002-10.....	Fig. 26
*6281-200-008-10.....	Fig. 27

FIG. 5 CYLINDER BLOCK



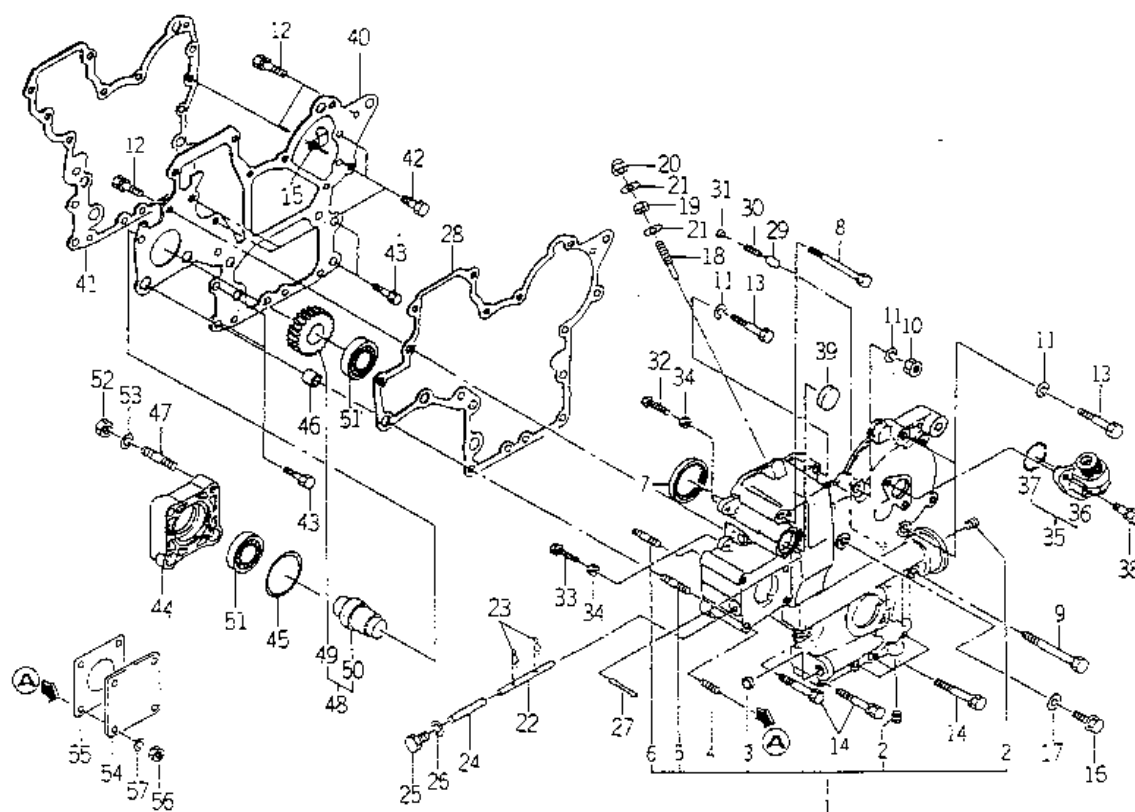
図番	部品コード	品名	仕様	型式				代替性	色番号	グループ	備考
				E3CE B03							
1	6211-210-031-50	CYLINDERBLOCK ASSY	*	1							
2	6209-000-006-00	BOLT	*	8							
3	6911-129-081-00	CAP, SEALING	*	2							
4	6209-610-001-00	CAP, SEALING	*	2							
5	6911-219-195-00	CAP, SEALING	*	1							
6	6209-610-003-00	CUP/SEALING/50	*	3							
7	6509-605-019-10	PLUG	*	8							
8	6212-531-005-00	PIN, IDLE GEAR	*	1							
9	6211-258-001-00	SEAL, BEARING CAP	*	4							
10	6211-258-002-00	SEAL, BEARING CAP/7	*	2							
11	6211-510-008-00	BEARING/CRANK SET	*	1							
12	6211-511-007-00	BEARING/CRANK/UPPER	*	4							
13	6211-511-008-00	BEARING/CRANK/LOWER	*	4							
14	6211-599-004-00	BEARING/THRUST/CRANK	*	2							
15	6209-625-003-10	OILSEAL	*	1							
16	6209-749-001-10	PIN, TUBE	*	2							
17	6908-160-816-00	PIN	*	2							
18	6908-160-612-00	PIN/STRIANER	*	2							
19	6904-110-840-00	STUD/M8X40	*	1							
20	6904-110-822-00	STUD	*	3							
21	6894-453-344-00	DOWEL	*	2							
22	6513-721-043-00	PIPE, WATER DRAIN	*	1							
23	6213-319-001-00	CONNECTOR, OIL FILTER	*	1							
24	6211-291-013-00	COVER/INJECTIONPUMP	*	1							
25	6211-292-001-20	GASKET/COVER	*	1							
26	6901-910-612-00	BOLT, SEMS/M6X12	*	4							
27	6215-549-013-00	PIN	*	1							
28	6211-760-016-00	LEVELGAGE	*	1							

FIG. 9 TIMING GEAR CASE



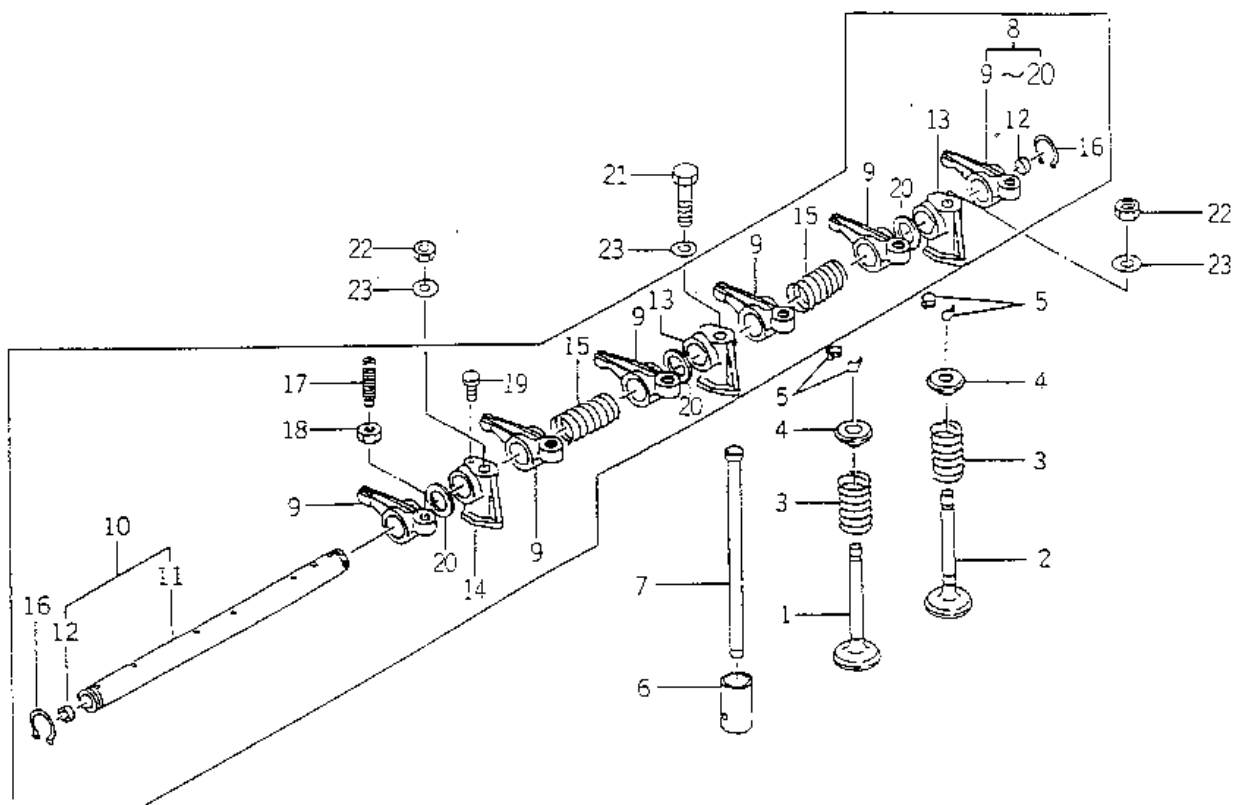
図番	部品コード	品名	仕様	型式						代替性	色番号	グループ	備考
				E3CE B03									
1	6211-310-009-10	GEARCASE ASSY	*	1									
2	6209-605-003-00	PLUG/PT1/4	*	2									
3	6209-610-004-00	CUP/SEALING/20	*	1									
4	6904-110-822-00	STUD	*	4									
5	6904-110-855-00	STUD	*	2									
6	6904-110-850-00	STUD	*	1									
7	6209-625-002-00	SEAL, OIL	*	1									
8	6209-030-005-00	BOLT/M8X85	*	1									
9	6209-030-006-00	BOLT/M8X75	*	2									
10	6909-110-508-00	NUT/M8	*	2									
11	6909-150-508-00	WASHER	*	2									
12	6901-910-820-00	BOLT, SEMS/M8X20	*	3									
13	6901-050-850-00	BOLT/M8X45	*	3									
14	6209-037-007-00	BOLT/WS	*	4									
15	1425-621-004-00	CLAMP, HARNESS	*	1									
16	6209-046-001-00	BOLT/M8X30	*	1									
17	6909-920-843-00	PACKING	*	1									
18	6215-546-003-00	STOPPER/FULLLOAD	*	1									
19	6209-409-001-00	NUT/M8	*	1									
20	V341-120-008-00	NUT, CAP/M 8	*	1									
21	6909-920-843-00	PACKING	*	2									
22	6215-542-004-20	PIN/ARM	*	1									
23	2130-601-018-00	PIN, SNAP/6	*	2									
24	6215-542-005-00	PIN	*	1									
25	6909-202-308-00	PLUG	*	1									
26	6909-920-843-00	PACKING	*	1									
27	6209-740-001-00	PIN, GROOVE	*	1									
28	6211-312-005-00	GASKET/GEARCASE	*	1									
29	6213-161-001-00	PISTON/RELIEF VALVE	*	1									
30	6213-164-001-00	SPRING/RELIEF VALVE	*	1									

FIG. 9 TIMING GEAR CASE



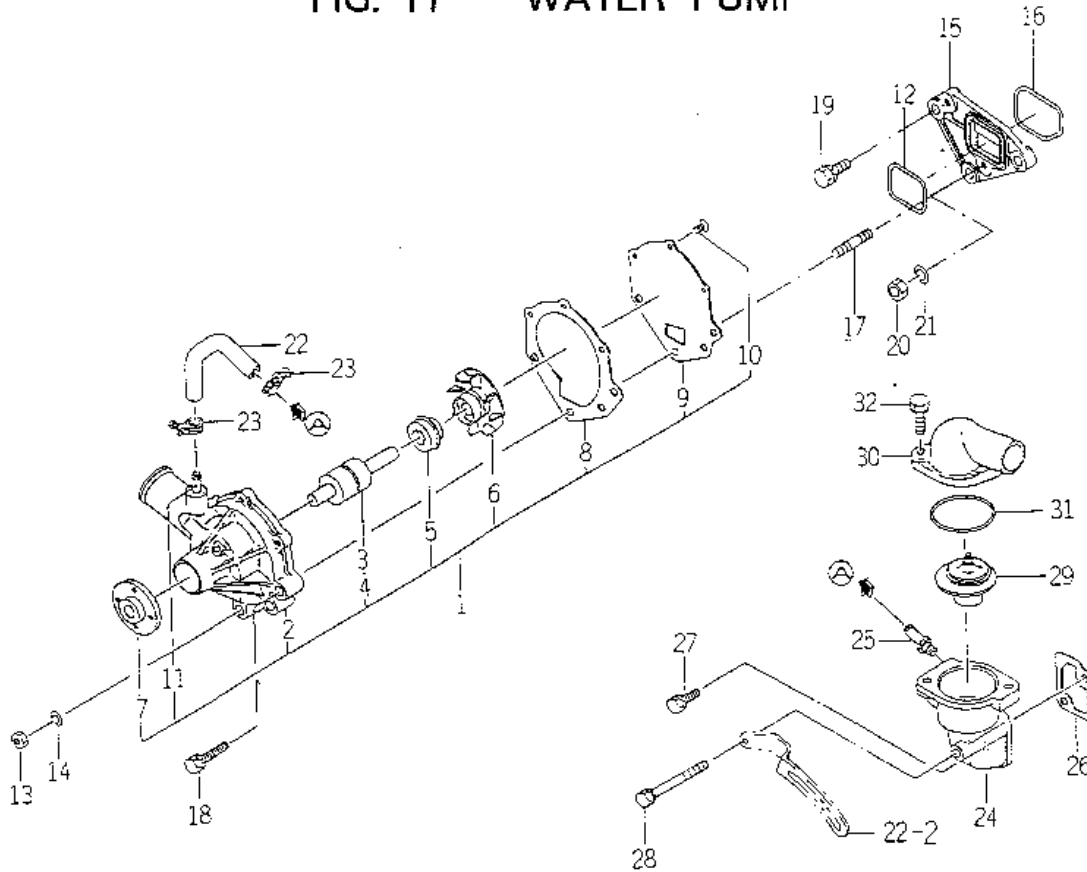
図番	部品コード	品名	仕様	型式						代替性	色番号	グループ	備考
				E3CE B03									
31	6213-163-002-00	CAP/RELIEF VALVE	*	1									
32	6209-050-001-00	BOLT/M6	*	1									
33	6209-050-002-00	BOLT/M6	*	1									
34	6909-110-406-00	NUT	*	2									
35	6219-310-003-00	DRIVE TACHOMETER	*	1									
37	V723-102-002-40	RING/O	*	1									
38	6901-910-616-00	BOLT, SEMS/M6X16	*	2									
39	3625-540-004-00	CAP, BLANK/30	*	1									
40	6211-311-013-00	PLATE/FRONT	*	1									
41	6211-312-006-00	GASKET/PLATE	*	1									
42	6902-050-816-00	BOLT	*	4									
43	6509-000-227-00	BOLT	*	4									
44	6211-319-003-00	SPACER	*	1									
45	V723-102-005-00	O-RING 1A S50	*	1									
46	6209-749-001-10	PIN, TUBE	*	2									
47	6904-110-822-00	STUD	*	1									
48	6212-530-005-00	SHAFT/HYDRAULIC ASSY	*	1									
49	6212-525-003-00	GEAR	*	1									
50	6212-533-005-00	SHAFT	*	1									
51	V600-110-600-50	BEARING, RB/6005	*	2									
52	6909-110-408-00	NUT/M8	*	4									
53	6909-150-508-00	WASHER	*	4									
54	6511-321-083-00	COVER	*	1									
55	6211-322-002-00	GASKET/COVER	*	1									
56	6909-110-408-00	NUT/M8	*	4									
57	6909-150-508-00	WASHER	*	4									

FIG. 11 VALVE



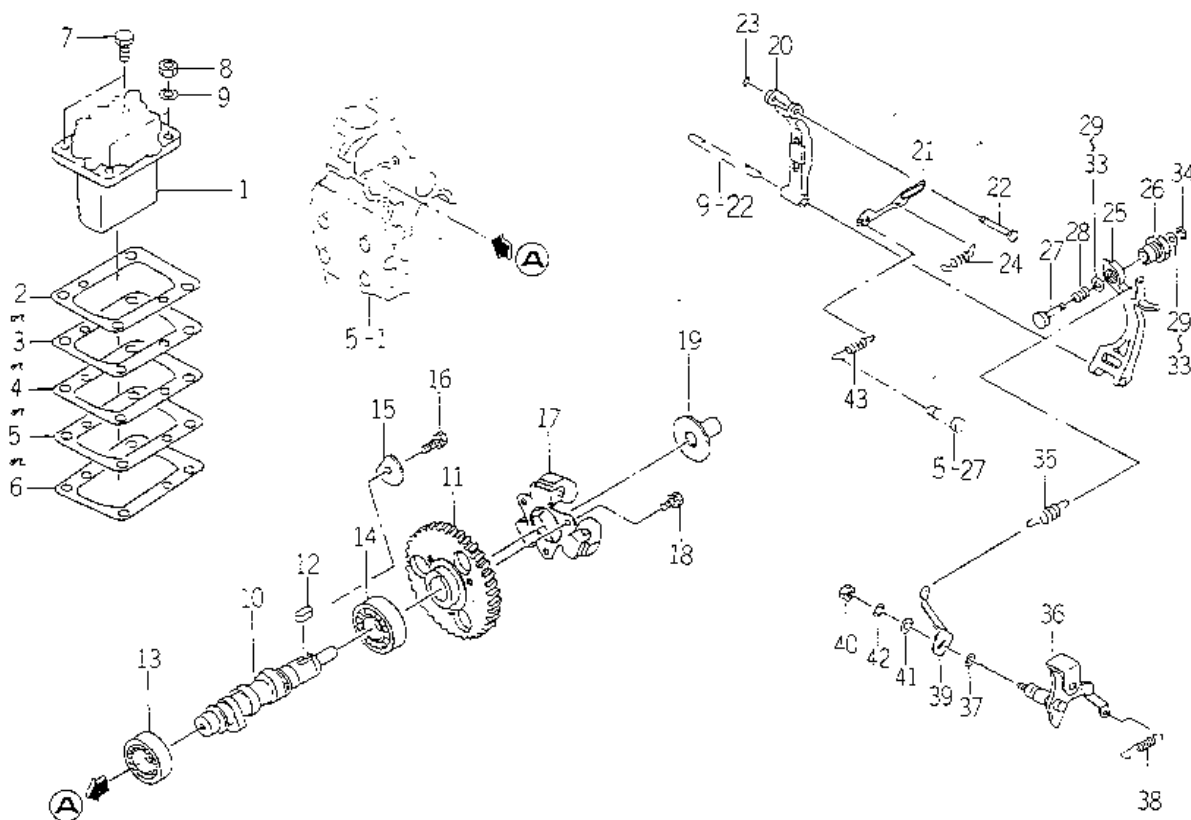
図番	部品コード	品名	仕様	型式						代替性	色番号	グループ	備考
				E3CE B03									
1	6212-551-008-00	VALVE/INTAKE	*	3									
2	6212-552-008-00	VALVE/EXHAUST	*	3									
3	6212-561-003-00	SPRING/VALVE	*	6									
4	6212-563-001-00	SEAT, VALVE SPRING	*	6									
5	6212-565-001-00	CUTTER, VALVE	*	12									
6	6212-571-002-10	TAPPET	*	6									
7	6212-575-003-00	PUSHROD	*	6									
8	6212-600-009-10	ROCKERSHAFT ASSY	*	1									
9	6212-611-004-10	ROCKERARM	*	6									
10	6212-620-008-10	SHAFT/ROCKERARM ASSY	*	1									
11	6212-621-008-10	SHAFT/ROCKERARM	*	1									
12	6212-626-002-10	PLUG	*	2									
13	6212-628-006-00	BRACKET/ROCKERSHAFT	*	2									
14	6212-628-007-00	BRACKET/ROCKERSHAFT	*	1									
15	6209-940-004-00	SPRING	*	2									
16	V704-140-016-00	RING, SNAP/16 C	*	2									
17	6212-616-002-00	SCREW ADJUST	*	6									
18	6209-409-003-00	NUT	*	6									
19	6209-000-002-00	BOLT	*	1									
20	6212-619-001-20	SPACER/ROCKERARM	*	3									
21	6901-055-855-00	BOLT/M8X55	*	1									
22	6909-110-508-00	NUT/M8	*	2									
23	6909-164-508-00	WASHER, PL/M8	*	3									

FIG. 17 WATER PUMP



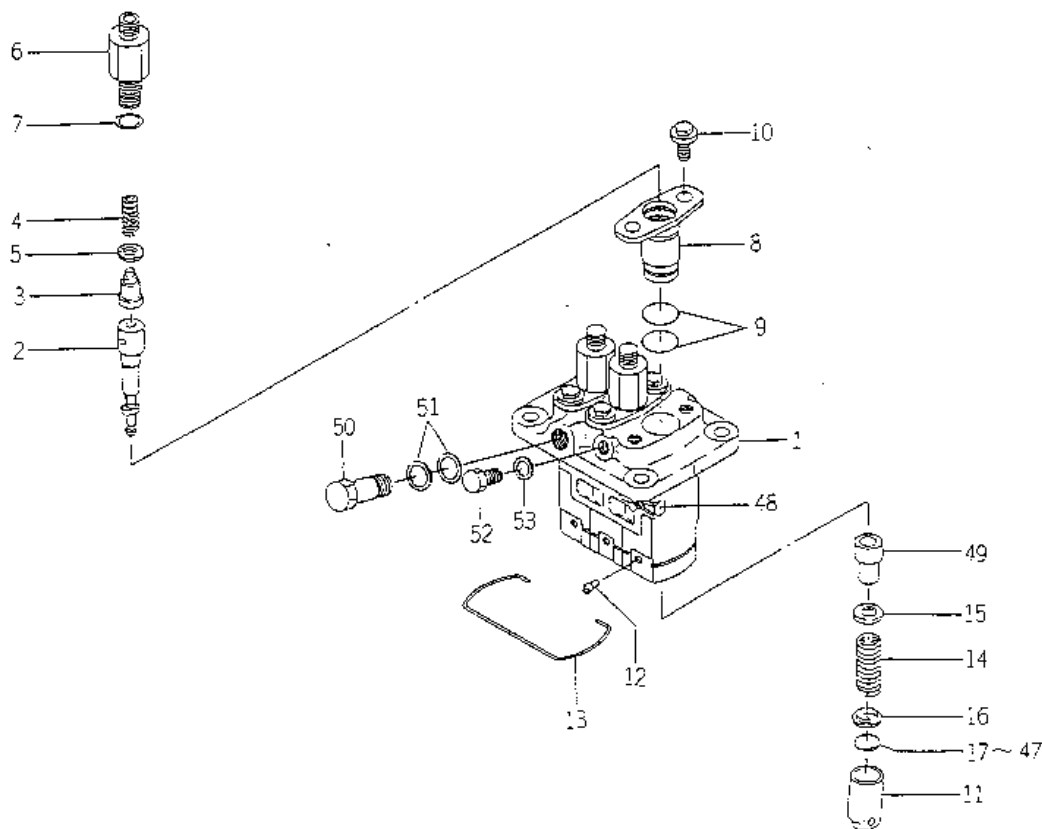
図番	部品コード	品名	仕様	型式					代替性	色番号	グループ	備考
				E3CE B03								
1	6213-610-005-20	WATERPUMP ASSY	*	1								
2	6213-611-003-20	BODY/WATERPUMP	*	1								
3	6213-631-002-00	BEARING/WATER PUMP	*	1								
4	6213-631-005-00	BEARING/WATERPUMP	*	1								
5	6213-622-002-00	SEAL SET/WATER PUMP	*	1								
6	6213-621-003-00	ROTOR/WATERPUMP	*	1								
7	6213-642-002-00	SEAL/WATER PUMPPULLE	*	1								
8	6213-613-002-10	GASKET	*	1								
9	6213-612-004-00	PLATE/WATER PUMP	*	1								
10	6213-619-003-00	SCREW/WATER PUMP	*	3								
11	6213-619-002-00	PIPE/WATER PUMP	*	2								
12	V721-103-104-00	O-RING/G40	*	1								
13	6909-110-508-00	NUT/M8	*	2								
14	6909-150-508-00	WASHER	*	2								
15	6213-619-006-00	SPACER/WATERPUMP	*	1								
16	V721-103-105-00	O-RING/G50	*	1								
17	6904-110-840-00	STUD/M8X40	*	2								
18	6901-910-845-00	BOLT, SEMS/M8X45	*	1								
19	6901-910-825-00	BOLT (WS)	*	1								
20	6909-110-508-00	NUT/M8	*	1								
21	6909-150-508-00	WASHER	*	1								
22	6213-729-001-00	HOSE, RUBBER	*	1								
23	J061-210-015-00	CLAMP/WIRE/10-15	*	2								
24	6213-716-001-30	HOUSING/THERMOSTAT	*	1								
25	6213-721-003-00	PIPE, PUMP HOUSING	*	1								
26	6213-743-002-10	GASKET/HOUSING	*	1								
27	6901-910-820-00	BOLT, SEMS/M8X20	*	1								
28	6209-030-006-00	BOLT/M8X75	*	1								
29	6513-770-022-10	THERMOSTAT	*	1								
30	6213-711-004-00	PIPE/WATEROUTLET	*	1								

FIG. 20 INJECTION PUMP



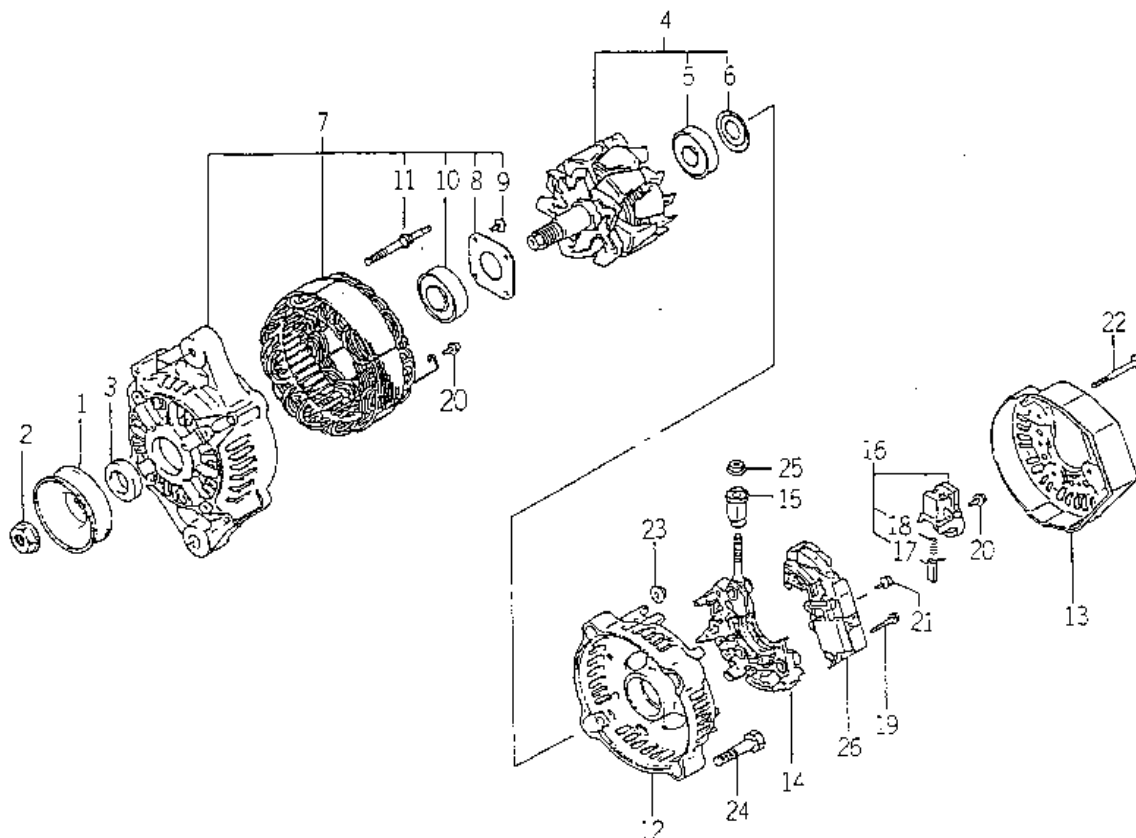
図番	部品コード	品名	仕様	型式					代替性	色番号	グループ	備考
				E3CE B03								
1	6215-600-078-00	INJECTIONPUMP ASSY	*	1							025	
2	6219-752-006-00	SHIM/PUMP, INJ	*	1								
3	6219-752-007-00	SHIM/PUMP, INJ	*	1								
4	6219-752-008-00	SHIM/PUMP, INJ	*	1								
5	6219-752-009-00	SHIM/PUMP, INJ	*	1								
6	6219-752-010-00	SHIM/PUMP, INJ	*	1								
7	6902-050-820-00	BOLT	*	2								
8	6909-110-508-00	NUT/M8	*	2								
9	6909-150-508-00	WASHER	*	2								
10	6215-621-010-00	CAMSHAFT/INJ PUMP	*	1								
11	6212-524-002-00	GEAR, INJ PUMP	*	1								
12	6908-000-716-00	KEY	*	1								
13	V600-110-620-30	BEARING, RB/6203	*	1								
14	V600-110-600-40	BEARING, RB/6004	*	1								
15	6212-535-002-00	PLATE, THRUST INJPUMP	*	1								
16	6901-910-612-00	BOLT, SEMS/M6X12	*	1								
17	6215-520-001-00	FLYWEIGHT	*	1								
18	6209-030-043-00	BOLT/M6X10	*	3								
19	6215-526-001-10	PIECE, THRUST	*	1								
20	6215-541-001-00	ARM, FLOATING	*	1								
21	6215-543-002-10	RINK/CONTROL	*	1								
22	6215-542-006-00	PIN, CONTROL	*	1								
23	V710-140-004-00	RING, SNAP/ 4 E	*	1								
24	6215-549-031-10	SPRING/SETTING	*	1								
25	6215-541-016-10	ARM/TENSION	*	1								
26	6215-549-028-00	CASE/ADAPTER	*	1								
27	6215-549-027-10	PIN/ADAPTER	*	1								
28	6215-549-034-00	SPRING/ADAPTER	*	1								
29	6215-549-006-00	SHIM, ADAPTER	*	2								
30	6215-549-009-00	SHIM, ADAPTER	*	2								

FIG. 25 6215-600-078-00



図番	部品コード	品名	仕様	型式					代替性	色番号	グループ	備考
				E3CE B03								
1	6215-611-008-00	HOUSING/PUMP	*	1								
2	6215-631-008-00	PLUNGER ASSY	*	3								
3	6215-641-002-00	VALVE, DELIVERY	*	3								
4	6215-643-005-00	SPRING/DELIVERYVALVE	*	3								
5	6215-649-008-00	GASKET	*	3								
6	6215-644-006-00	HOLDER/DELIVERYVALVE	*	3								
7	6215-649-009-00	O-RING	*	3								
8	6215-635-004-00	SLEEVEFLANGE	*	3								
9	6215-649-010-00	ORING	*	6								
10	6215-649-011-00	BOLT	*	6								
11	6215-622-003-00	TAPPET	*	3								
12	6215-629-017-00	PIN	*	3								
13	6215-629-035-00	SNAPRING	*	1								
14	6215-634-003-00	SPRING/PLUNGER	*	3								
15	6215-639-008-00	SPRINGSEAT	*	3								
16	6215-639-009-00	SPRINGSEAT	*	3								
17	6215-629-060-00	PLATE/T=2.60	*	1								
18	6215-629-061-00	PLATE/T=2.65	*	1								
19	6215-629-062-00	PLATE/T=2.70	*	1								
20	6215-629-063-00	PLATE/T=2.75	*	1								
21	6215-629-064-00	PLATE/T=2.80	*	1								
22	6215-629-065-00	PLATE/T=2.85	*	1								
23	6215-629-066-00	PLATE/T=2.90	*	1								
24	6215-629-067-00	PLATE/T=2.95	*	1								
25	6215-629-036-00	PLATE/T=3.00	*	1								
26	6215-629-037-00	PLATE/T=3.05	*	1								
27	6215-629-038-00	PLATE/T=3.10	*	1								
28	6215-629-039-00	PLATE/T=3.15	*	1								
29	6215-629-040-00	PLATE/T=3.20	*	1								
30	6215-629-041-00	PLATE/T=3.25	*	1								

FIG. 27 6281 - 200 - 008 - 10



図番	部品コード	品名	仕様	型式						代替性	色番号	グループ	備考
				E3CE B03									
1	6281-222-004-00	PULLEY	*	1									
2	6281-229-002-00	NUT	*	1									
3	6281-229-003-00	COLLOR	*	1									
4	6281-221-001-00	ROTOR ASSY	*	1									
5	6281-229-005-00	BEARING	*	1									
6	6281-229-004-00	COVER, BEARING	*	1									
7	6281-213-006-00	FRAME ASSY	*	1									
8	6281-229-006-00	PLATE	*	1									
9	6281-229-007-00	BOLT	*	4									
10	6281-229-009-00	BEARING	*	1									
11	6281-229-008-00	BOLT	*	2									
12	6281-214-003-00	FRAME	*	1									
13	6281-214-004-00	COVER	*	1									
14	6281-229-029-00	HOLDER ASSY	*	1									
15	6281-229-011-00	BUSH	*	1									
16	2145-161-211-00	HOLDER/BRUSH ASSY	*	1									
17	6281-215-001-00	BRUSH	*	2									
18	6281-216-001-00	SPRING	*	2									
19	6281-229-012-00	BOLT	*	2									
20	6281-229-013-00	BOLT	*	6									
21	6281-229-014-00	BOLT	*	1									
22	6281-229-015-00	BOLT	*	3									
23	6281-229-016-00	NUT	*	2									
24	6281-229-017-00	BOLT	*	2									
25	6281-229-018-00	NUT	*	1									
26	6281-271-002-00	REGULATOR ASSY	*	1									