

目 次

SCMA48M_54M chassis

Joint (Universal) system (Scma54m).....	Fig. 1
Joint (Universal) system (Scma48m).....	Fig. 2
Case (Bevel) system (Scma48m).....	Fig. 3
Case (Bevel) system (Scma54m).....	Fig. 4
Pulley System (Scma48m).....	Fig. 5
Pulley System (Scma54m).....	Fig. 6
Belt System.....	Fig. 7
Belt System.....	Fig. 8
Metal System.....	Fig. 9
Brade System (Scma48m).....	Fig. 10
Brade System (Scma54m).....	Fig. 11
Deck (Mower) system (Scma48a).....	Fig. 12
Deck (Mower) system (Scma54m).....	Fig. 13
Cover (Discharge) system (Scma48m).....	Fig. 14
Cover (Discharge) system (Scma54m).....	Fig. 15
Cover (Belt) system (Scma48m).....	Fig. 16
Cover (Belt) system (Scma54m).....	Fig. 17
Wheel (Gauge) system.....	Fig. 18
Link System.....	Fig. 19
Label.....	Fig. 20
Joint (Universal) (Scm48m) (Option).....	Fig. 21
Joint (Universal) (Scm54m) (Option).....	Fig. 22
Component Parts.....	Fig. 23
Component Parts.....	Fig. 24
Component Parts.....	Fig. 25

Directions for use of Parts Catalogue

1. Applicable model of machines

All component and option parts used for SCM48,54 garden tractors are listed in this parts catalogue.

- NOTES: SCMA48M-SXG22E4M..... FOR SXG22
 SCMA54M-SXG22E4M..... FOR SXG22
 SBC550XM-HE4M..... FOR SXG19,22
 SBC550XM-HE4M..... FOR SXG19,22

2. Explanation for head paragraph

KEY	PART CODE	DESCRIPTION	S P C	TYPE OF MODEL						I T C	C O L	G R P	REMARKS
				SSM48M	SSM48F	SSM48G	SRM48M	SRM48F	SRM48G				
1	8585-211-001-20	CASE/UPPER	*	L									
1A	8667-201-001-00	CASE/UPPER	*	L									
2	8585-211-002-10	CASE/LOWER	*	L									
3	V523-100-801-80	PIN	*										
4	V211-260-803-00	BOLT, SEWS	*										

- ① KEY shows the location of parts diagramed in the illustration.
- ② Parts numbers begin with `V` and `W` are standard parts of the market.
- ③ `LH` and `RH` on the parts name are described against the moving direction of the machine or are described on the condition how to install parts on the machines.

- ④ SPC : The following symbol classifies parts to be used for machines.
- `*` means standard parts.
 - `T` shows that the parts can be installed as optional parts.
 - `R` shows that the parts can be used as applicable parts to replace originally equipped parts.
- ⑤ Upper column : QTY shows the number of parts to be used for one unit of machine.
- `M` is indicated for parts supplied by a meter long.
 - `l` is indicated for parts supplied by liter.
 - `AR` is indicated for parts need to be adjusted or regulated.
- Lower column : serial number
- 229 means serial number up to 229.
 - 230— means serial number 230 and after.
- ⑥ ITC : Interchangeability
- `1`...OLD ← NEW
New parts can be used in place of the old parts.
 - `2`...OLD → NEW
Old parts can be used in place of the new parts.
 - `3`...OLD →← NEW
Old parts and new parts can not be replaced each other.
- ⑦ COL : Color code
- Color is signified with color code number for colored parts.
Please see the color list shown in the next page.
- ⑧ GRP : Parts shown in this column can be replaced by SET parts.
- Example : Parts marked ㉠ can be replaced by parts marked ㉡, and ㉢ for ㉣, so the rest follow in the same alphabetical order.
- ⑨ Remarks
- * Other maker's part code number is shown in this column.
 - * When Fig. No. is shown in the Remark column of SET parts or ASSY parts, each of their component parts are listed in said Fig. No.

3. Color :

The following colors are used color parts.

COLOR CODE	COLOR	SPRAY TYPE PARTS CODE	PAINTS 4K DRUM PARTS CODE	PAINTS 16K DRUM PARTS CODE
7 F	MIRROR BLACK	1300-954-001-10	1300-954-003-00	1300-954-004-00

NOTE : Color code is signified only for the parts assigned by the maker as color parts.

4. Serial Numbers :

- 1) For engines serial number is stamped on CYLINDER BLOCK ASSY.
Please see Fig. No. 5-1.
- 2) For chassies serial number is shown on the LABEL.
Please see



5. Parts Order

- 1) Parts numbers listed in the parts catalogue are all registered in “ISEKI on-line computer”.
- 2) When you order parts, please make sure of correct numbers.
- 3) When substitute parts is available, the part number ordered will be automatically turned to a new part number.
- 4) Please be sure to use “ISEKI GENUINE PARTS”.

Any other similar parts other than ISEKI parts when used may cause a trouble that makes us unable to repair or guarantee the warrant.

***** Structure Table of Model *****

M O D E L	S S C C M S M S A X A X 4 G 5 G 8 2 4 2 M 2 M 2 E E 4 4 M M										
FIG.											
1	* *										
2	* *										
3	* *										
4	* *										
5	* *										
6	* *										
7	* *										
8	* *										
9	* *										
10	* *										
11	* *										
12	* *										
13	* *										
14	* *										
15	* *										
16	* *										
17	* *										
18	* *										
19	* *										
20	* *										
21	T										
22	T										
23	*										
24	*										
25	T										

8663-097-110-10 FIG.000 PICTURE CONTENTS

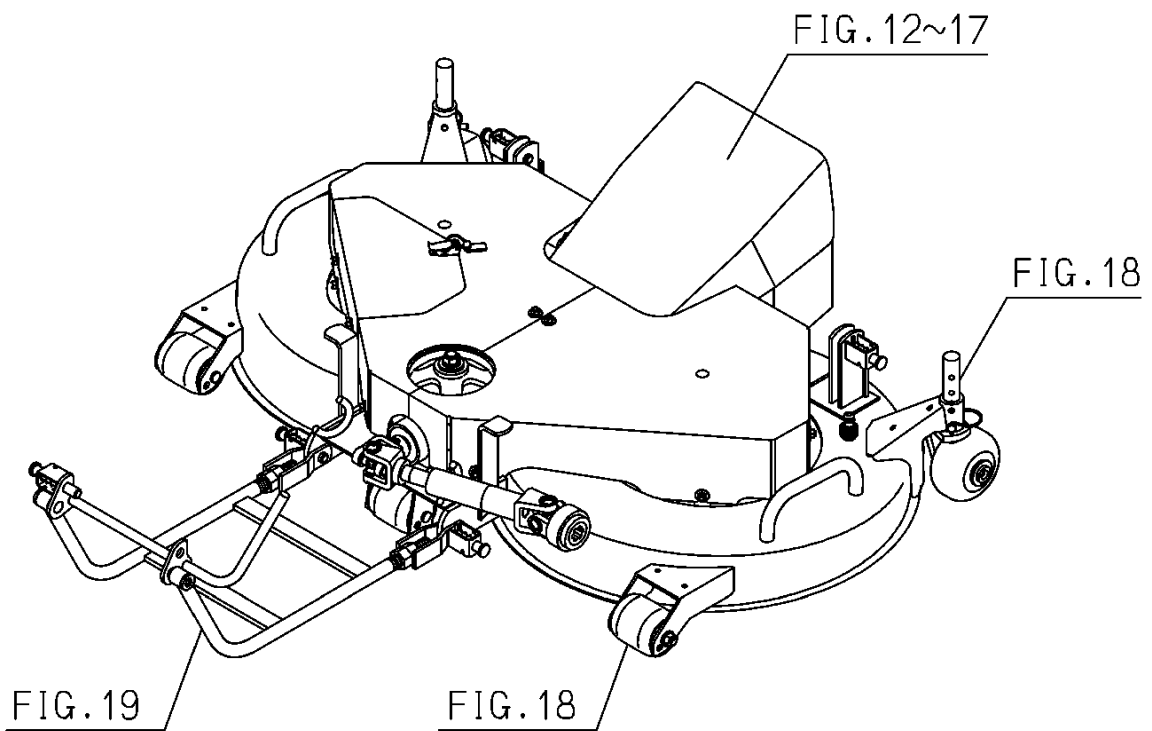
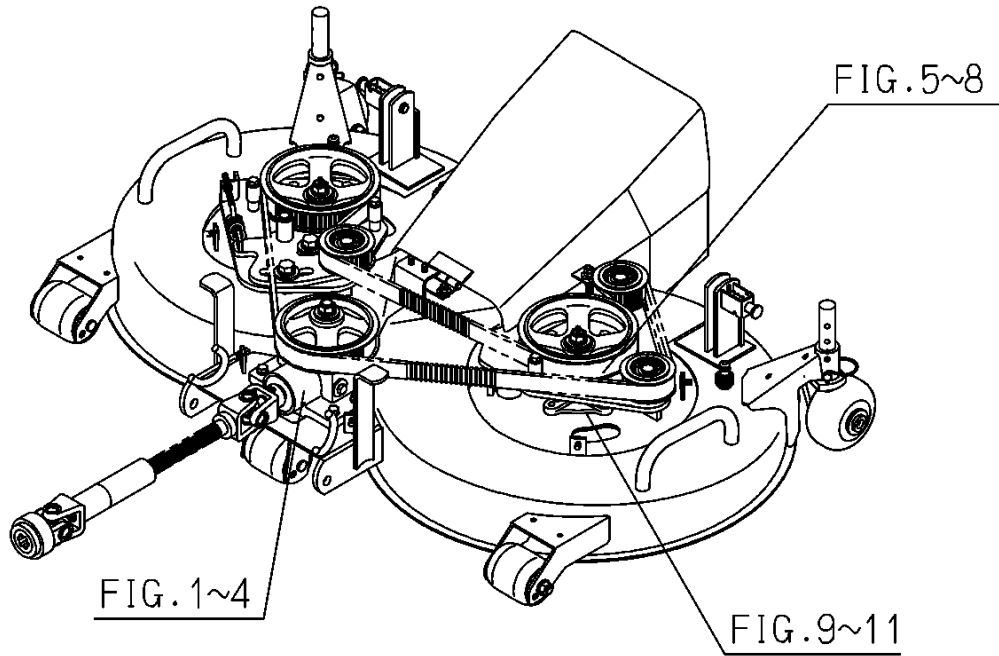
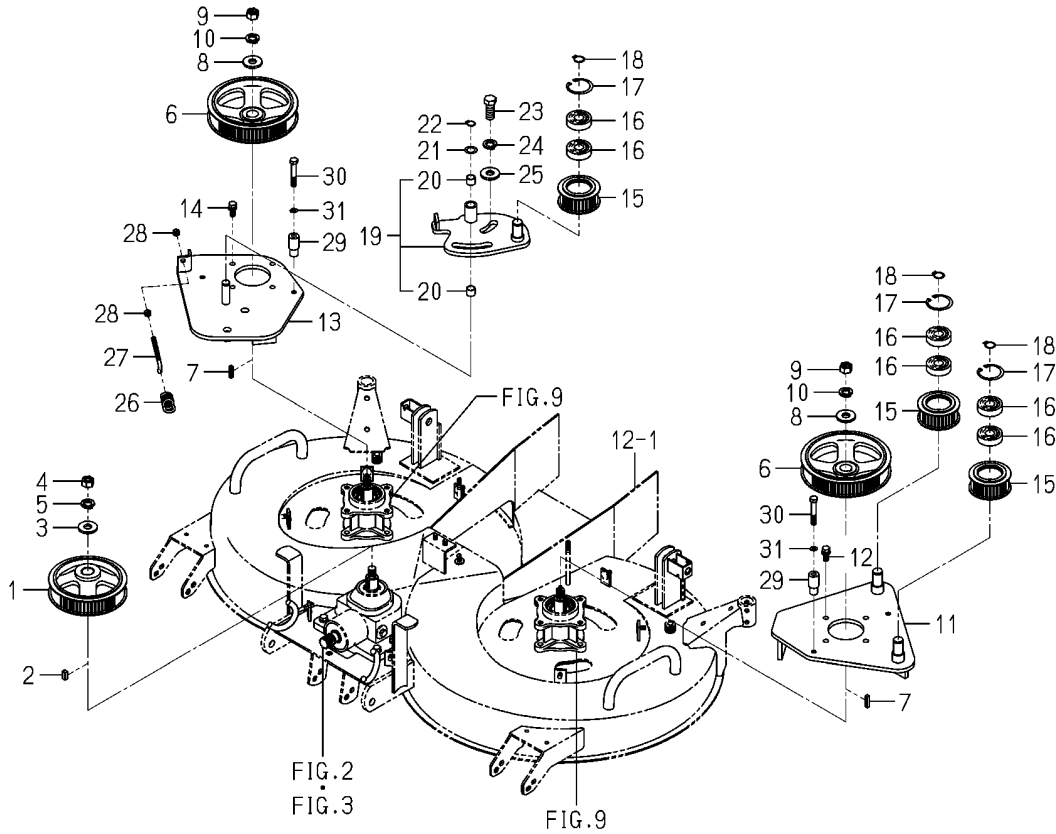
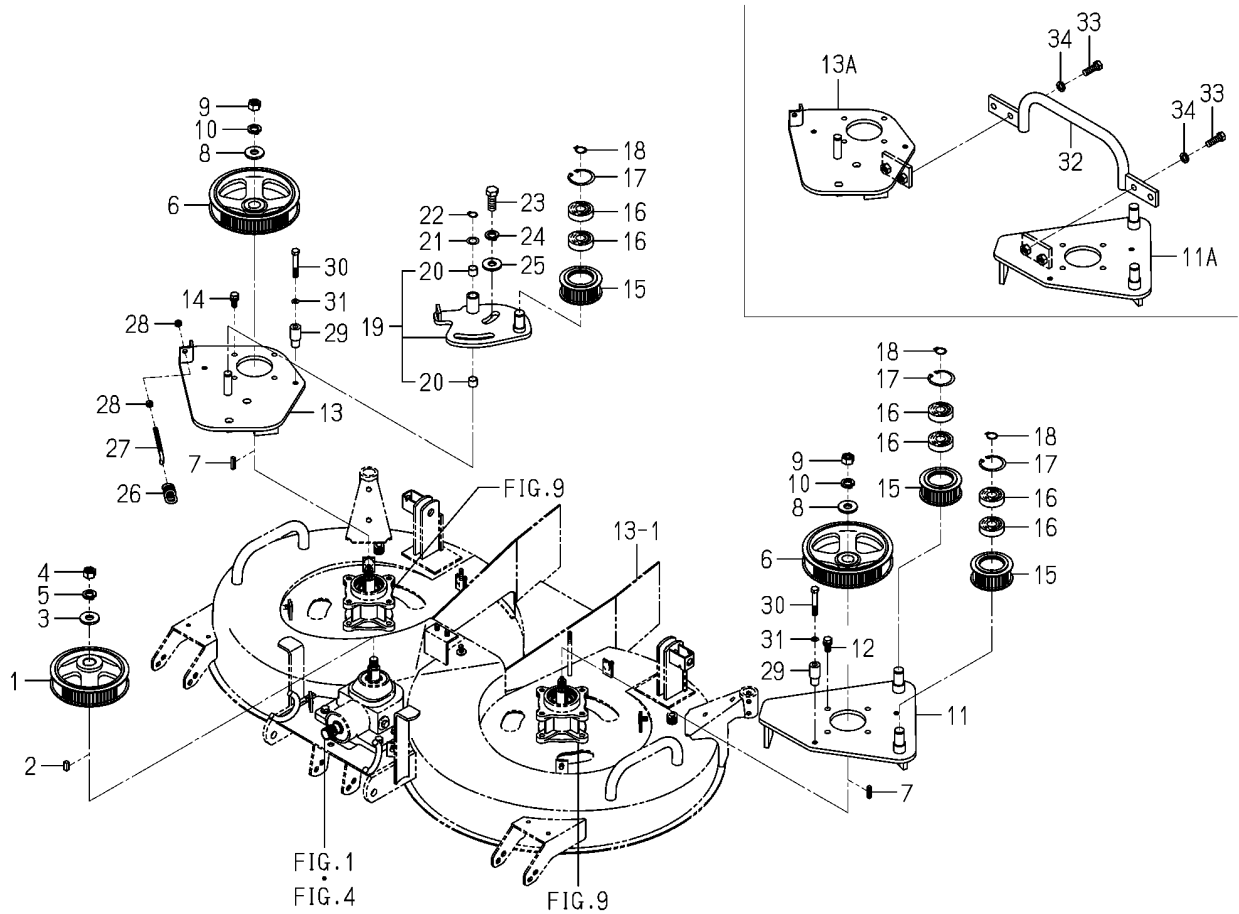


FIG.005 PULLEY SYSTEM(SCMA48M)



図番	部品コード	品名	仕様	型式						代替性	色番号	グループ	備考
				SCMA 48M	SCMA 54M								
1	8663-202-210-10	PULLEY/STS/62	COMP	*	1								
2	3670-520-001-00	KEY/08X07X20		*	1								
3	3746-111-011-00	WASHER		*	1								
4	V304-460-016-00	NUT/M16		*	1								
5	V401-160-016-00	WASHER, SP/M16		*	1								
6	8663-202-220-10	PULLEY/STS/72	COMP	*	2								
7	8654-202-016-00	KEY/06X06X28		*	2								
8	3746-111-011-00	WASHER		*	2								
9	V304-460-016-00	NUT/M16		*	2								
10	V401-160-016-00	WASHER, SP/M16		*	2								
11	8663-202-250-10	BASE/LH	COMP	*	1								
12	V211-561-002-50	BOLT/M10X25		*	4								
13	8663-202-260-20	BASE/RH	COMP	*	1								
14	V211-561-002-50	BOLT/M10X25		*	4								
15	8663-202-230-00	PULLEY/STS/32	COMP	*	3								
16	V600-150-630-40	BEARING, RB/6304SS		*	6								
17	V705-140-052-00	RING, SNAP/52 C		*	3								
18	V704-140-020-00	RING, SNAP/20C		*	3								
19	8663-202-290-00	PLATE/TENSION	ASSY	*	1								
20	8597-202-501-00	BUSH/16X18X15		*	2								
21	3621-211-003-00	WASHER		*	1								
22	V704-140-016-00	RING, SNAP/16 C		*	1								
23	V201-261-604-00	BOLT/M16X40		*	2								
24	V401-160-016-00	WASHER, SP/M16		*	2								
25	3746-111-011-00	WASHER		*	2								
26	3100-107-004-10	SPRING/SIDE CLUTCH		*	1								
27	3737-341-007-00	ROD, CHAIN TENSION		*	1								
28	V304-260-008-00	NUT		*	2								
29	8663-202-004-00	COLLAR/10X22X48		*	4								
30	V201-261-006-00	BOLT/M10X60		*	4								

FIG.006 PULLEY SYSTEM(SCMA54M)



図番	部品コード	品名	仕様	型式				代替性	色番号	グループ	備考
				SCMA 48M	SCMA 54M						
1	8663-202-210-10	PULLY/STS/62	COMP		1						
2	3670-520-001-00	KEY/08X07X20			1						
3	3746-111-011-00	WASHER			1						
4	V304-460-016-00	NUT/M16			1						
5	V401-160-016-00	WASHER, SP/M16			1						
6	8663-202-220-10	PULLY/STS/72	COMP		2						
7	8654-202-016-00	KEY/06X06X28			2						
8	3746-111-011-00	WASHER			2						
9	V304-460-016-00	NUT/M16			2						
10	V401-160-016-00	WASHER, SP/M16			2						
11	8665-202-210-10	BASE/LH	COMP		1 -100137						
11A	8665-202-210-20	BASE/LH	COMP		1 100138-						
12	V211-561-002-50	BOLT/M10X25			4						
13	8663-202-260-20	BASE/RH	COMP		1 -100137						
13A	8665-202-220-00	BASE/RH	COMP		1 100138-						
14	V211-561-002-50	BOLT/M10X25			4						
15	8663-202-230-00	PULLY/STS/32	COMP		3						
16	V600-150-630-40	BEARING, RB/6304SS			6						
17	V705-140-052-00	RING, SNAP/52 C			3						
18	V704-140-020-00	RING, SNAP/20C			3						
19	8663-202-290-00	PLATE/TENSION	ASSY		1						
20	8597-202-501-00	BUSH/16X18X15			2						
21	3621-211-003-00	WASHER			1						
22	V704-140-016-00	RING, SNAP/16 C			1						
23	V201-261-604-00	BOLT/M16X40			2						
24	V401-160-016-00	WASHER, SP/M16			2						
25	3746-111-011-00	WASHER			2						
26	3100-107-004-10	SPRING/SIDE CLUTCH			1						
27	3737-341-007-00	ROD, CHAIN TENSION			1						
28	V304-260-008-00	NUT			2						

