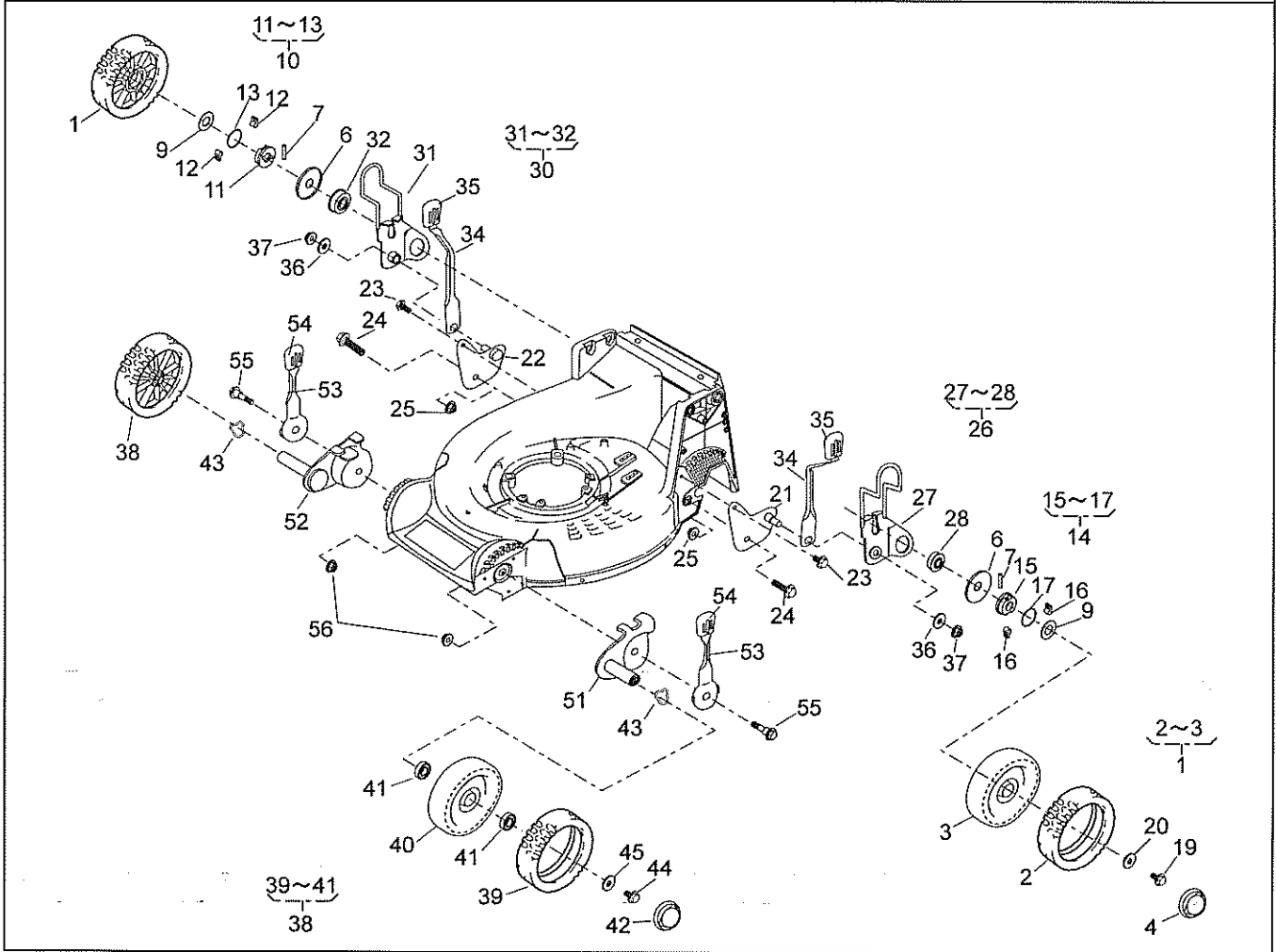


GRASS-CUTTING

Brand: ISEKI
P.cd: 620136Date: 10-Jan-2013
Revision: 00(A): SW8210BE4
(B):
(C):

Ref.No	Parts.No	Parts.Name	Q'ty			Remarks	Recomm(%) Lot.100
			(A)	(B)	(C)		
1	51043-151-42	HOUSING	1				3
3	51090-117-09	PROTECTOR	2				5
4	335L0616	FLANGE BOLT	4				3
5	512L0600	HEXAGON NUT	4				3
6	36065-180	COVER	1				3
7	342L0612	FLANGE TAPPING BOLT	2				3
10	11006-155	STAY C.P.	1				5
11	342L0612	FLANGE TAPPING BOLT	2				3
12	11113-407	STAY	1				3
13	342L0612	FLANGE TAPPING BOLT	1				3
14	11113-292	STAY	1				3
15	342L0612	FLANGE TAPPING BOLT	2				3
16	36068-196-42	GUARD	1				3
17	36080-149	RUBBER SHEET	1				3
18	64014-324	SHAFT	1				3
19	68013-336	SPRING	1				3
20	71082-111	FAN ASS'Y	1				-
21	51125-103	FAN	1				5
22	11102-151	HOLDER	1				5
23	31062-169	PRE-COAT LOCK BOLT	4				5
24	579L0600	FLANGE NUT	4				5
25	61024-208	SPACER	1				3
26	91014-188	BLADE	1				15
27	31057-197	HEXAGON BOLT	2				15
28	31057-243	HEXAGON BOLT	4				3
29	61024-142	SPACER	3				3
30	71067-106	BRAKE A'Y(BBC530-KAZ	1				-
33	91097-101	UNIVERSAL JOINT	1				3
34	812V2000	C-SNAP RING	1				1
35	717B0418	PARALLEL PIN	1				5
36	64014-358	SHAFT	1				3
37	91049-135	CONNECTOR	1				5
38	68036-280	WASHER (10.5x18x1.6)	2				3
39	816V0800	E-SNAP RING	1				5
40	36065-438	COVER	1				3
41	342L0616	FLANGE TAPPING BOLT	1				3
42	51116-149	HANDLE BRACKET	1				3
43	51116-150	HANDLE BRACKET	1				3
44	31057-255	HEXAGON BOLT (M8x25)	4				3
45	512L0800	HEXAGON NUT	4				3
52	71008-275	GEAR CASE ASS'Y	1				-
55	733L1000	SNAP PIN	1				5
60	94401-16150	WOODRUFF KEY (16x15)	1				-

WHEEL	Date : 10. Jan, 2013	Revision : 00	Page : 1/1
Brand : ISEKI	Model : SW8210BE4	Product Code : 620136	



WHEEL

Brand: ISEKI
P.cd: 620136Date: 10-Jan-2013
Revision: 00(A): SW8210BE4
(B):
(C):

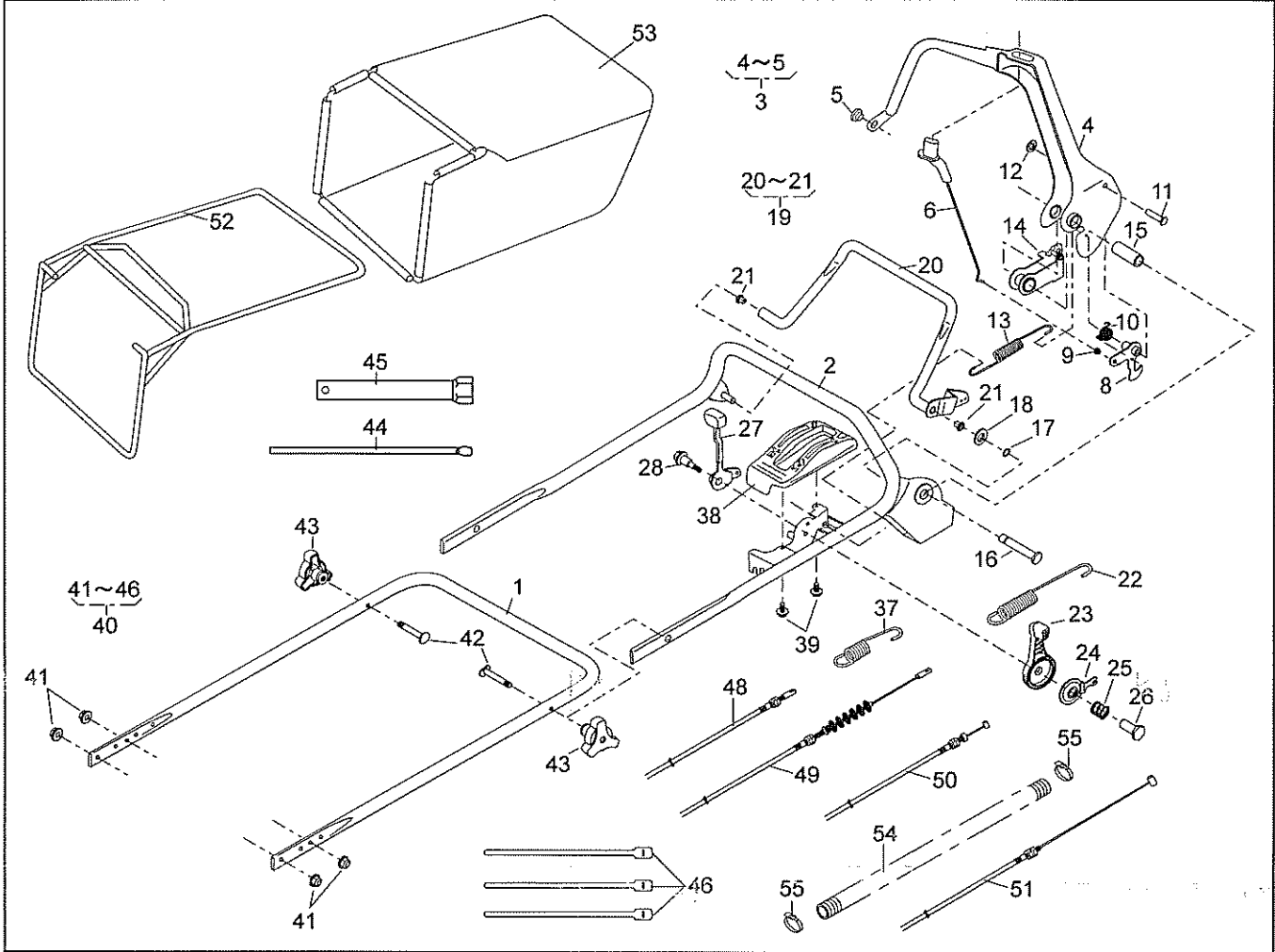
Ref.No	Parts.No	Parts.Name	Q'ty			Remarks	Recomm(%) Lot.100
			(A)	(B)	(C)		
1	71041-112	WHEEL ASS'Y	2				
2	91086-106	TIRE	2				
3	36107-101	WHEEL	2				
4	36070-110	CAP	2				
6	61003-112	THRUST PLATE	2				
7	31034-137	PIN	2				
9	68036-146	WASHER (16x31.5x1.0)	2				
10	71158-104	RATCHET ASS'Y	1				
11	11102-235	HOLDER	1				
12	31034-170	PIN	2				
13	68013-266	SPRING	1				
14	71158-103	RATCHET ASS'Y	1				
15	11102-235	HOLDER	1				
16	31034-170	PIN	2				
17	68013-266	SPRING	1				
19	31057-181	HEXAGON BOLT	2				
20	68036-101	WASHER (9x25x2.3)	2				
21	11006-151	STAY C.P.	1				
22	11006-152	STAY C.P.	1				
23	342L0612	FLANGE TAPPING BOLT	2				
24	31057-255	HEXAGON BOLT (M8x25)	2				
25	584L0800	U-FLANGE NUT	2				
26	71122-112	ADJUSTER ASS'Y	1				
27	11142-131	ADJUSTER	1				
28	945L0349	BEARING (F-PC0349L)	1				
30	71122-113	ADJUSTER ASS'Y	1				
31	11142-132	ADJUSTER	1				
32	945L0349	BEARING (F-PC0349L)	1				
34	11150-105-09	ADJUST LEVER	2				
35	36061-121	KNOB	2				
36	613L0800	PLAIN WASHER	2				
37	569L0800	FLANGE NYLON NUT	2				
38	71041-103	WHEEL ASS'Y	2				
39	91086-106	TIRE	2				
40	36107-102	WHEEL	2				
41	932L0696	BEARING (PCB-0696)	4				
42	36070-110	CAP	2				
43	664V0626	WAVE SPRING WASHER	2				
44	31057-181	HEXAGON BOLT	2				
45	68036-101	WASHER (9x25x2.3)	2				
51	11142-134	ADJUSTER	1				
52	11142-135	ADJUSTER	1				
53	11150-107-09	ADJUST LEVER	2				
54	36061-121	KNOB	2				
55	31057-260	HEXAGON BOLT	2				
56	569L0800	FLANGE NYLON NUT	2				

WHEEL

Brand: ISEKI
P.cd: 620136Date: 10-Jan-2013
Revision: 00(A): SW8210BE4
(B):
(C):

Ref.No	Parts.No	Parts.Name	Q'ty			Remarks	Recomm(%) Lot.100
			(A)	(B)	(C)		
1	71041-112	WHEEL ASS'Y	2				3
2	91086-106	TIRE	2				5
3	36107-101	WHEEL	2				-
4	36070-110	CAP	2				3
6	61003-112	THRUST PLATE	2				10
7	31034-137	PIN	2				10
9	68036-146	WASHER (16x31.5x1.0)	2				5
10	71158-104	RATCHET ASS'Y	1				-
11	11102-235	HOLDER	1				10
12	31034-170	PIN	2				10
13	68013-266	SPRING	1				10
14	71158-103	RATCHET ASS'Y	1				-
15	11102-235	HOLDER	1				10
16	31034-170	PIN	2				10
17	68013-266	SPRING	1				10
19	31057-181	HEXAGON BOLT	2				3
20	68036-101	WASHER (9x25x2.3)	2				3
21	11006-151	STAY C.P.	1				3
22	11006-152	STAY C.P.	1				3
23	342L0612	FLANGE TAPPING BOLT	2				3
24	31057-255	HEXAGON BOLT (M8x25)	2				3
25	584L0800	U-FLANGE NUT	2				3
26	71122-112	ADJUSTER ASS'Y	1				-
27	11142-131	ADJUSTER	1				10
28	945L0349	BEARING (F-PC0349L)	1				10
30	71122-113	ADJUSTER ASS'Y	1				-
31	11142-132	ADJUSTER	1				10
32	945L0349	BEARING (F-PC0349L)	1				10
34	11150-105-09	ADJUST LEVER	2				5
35	36061-121	KNOB	2				5
36	613L0800	PLAIN WASHER	2				5
37	569L0800	FLANGE NYLON NUT	2				5
38	71041-103	WHEEL ASS'Y	2				3
39	91086-106	TIRE	2				5
40	36107-102	WHEEL	2				-
41	932L0696	BEARING (PCB-0696)	4				3
42	36070-110	CAP	2				3
43	664V0626	WAVE SPRING WASHER	2				3
44	31057-181	HEXAGON BOLT	2				3
45	68036-101	WASHER (9x25x2.3)	2				3
51	11142-134	ADJUSTER	1				5
52	11142-135	ADJUSTER	1				5
53	11150-107-09	ADJUST LEVER	2				5
54	36061-121	KNOB	2				5
55	31057-260	HEXAGON BOLT	2				5
56	569L0800	FLANGE NYLON NUT	2				5

HANDLE	Date : 10. Jan, 2013	Revision : 00	Page : 1/1
Brand : ISEKI	Model : SW8210BE4	Product Code : 620136	



HANDLE

(A): SW8210BE4

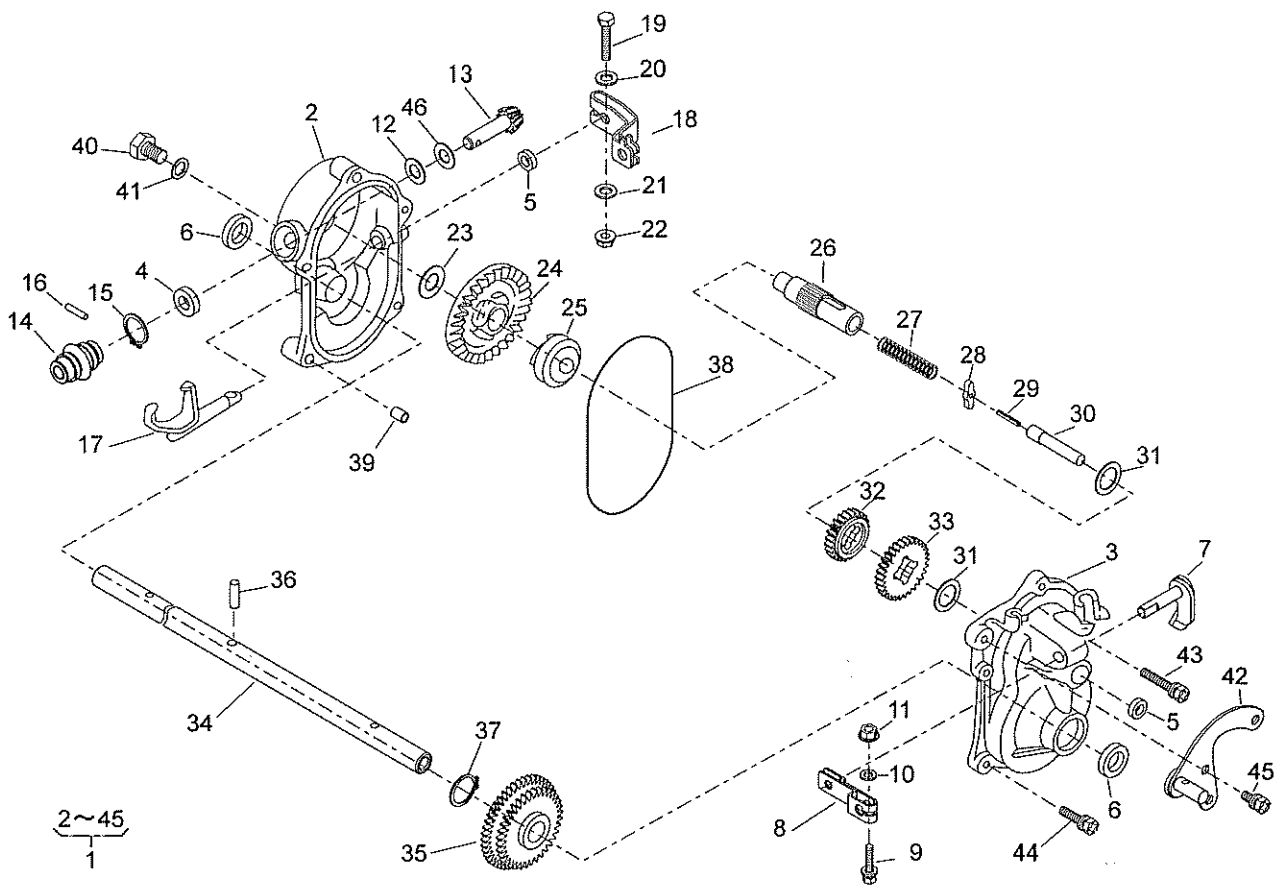
Brand: ISEKI
P.cd: 620136Date: 10-Jan-2013
Revision: 00(B):
(C):

Ref.No	Parts.No	Parts.Name	Q'ty			Remarks	Recomm(%) Lot.100
			(A)	(B)	(C)		
1	51027-266-114	HANDLE	1				
2	51027-288-114	HANDLE	1				
3	71161-125	LEVER ASS'Y	1				
4							
5	76007-191	BUSH	1				
6	36110-106	BUTTON	1				
7							
8	71203-135	ARM C.P.	1				
9	76007-183	BUSH	1				
10	68013-371	SPRING	1				
11	31056-127	GIB-HEADED PIN	1				
12	576V0600	PUSH NUT	1				
13	68013-392	SPRING	1				
14	11109-111	LINK	1				
15	61023-190	SLEEVE	1				
16	64014-337	SHAFT	1				
17	812V0800	C-SNAP RING	1				
18	613L0800	PLAIN WASHER	1				
19	71161-126-09	LEVER ASS'Y	1				
21	76007-131	BUSH	2				
22	68013-391	SPRING	1				
23	91010-169	THROTTLE LEVER	1				
24	61003-113	THRUST PLATE	1				
25	68013-356	SPRING	1				
26	31058-168	HEXAGON NUT	1				
27	11095-117	LEVER	1				
28	31062-109	PRE-COAT LOCK BOLT	1				
37	68013-161	SPRING	1				
38	71900-796	COVER ASS'Y	1				
39	470L0514	(+)TAPPING SCREW	2				
40	71906-142	BOLT SET	1				
41	569L0800	FLANGE NYLON NUT	4				
42	31057-134	HEXAGON BOLT	2				
43	36061-118	KNOB	2				
44	66008-103	PLUG BOX BAR (8x200)	1				
45	66006-125	BOX SPANNER	1				
46	68028-118	WIRE BAND (GT280)	3				
48	91003-125	CONTROL CABLE	1				
49	91003-180	CONTROL CABLE	1				
50	91001-329	THROTTLE WIRE	1				
51	91003-169	CONTROL CABLE	1				
52	11062-178	FRAME C.P.	1				
53	36098-160	GRASS BAG C.P.	1				
54	41003-201	TUBE (15.6x800L)	1				
55	68028-119	WIRE BAND (SHT18R-W)	2				

HANDLE

Brand: ISEKI
P.cd: 620136Date: 10-Jan-2013
Revision: 00(A): SW8210BE4
(B):
(C):

Ref.No	Parts.No	Parts.Name	Q'ty			Remarks	Recomm(%) Lot.100
			(A)	(B)	(C)		
1	51027-266-114	HANDLE	1				3
2	51027-288-114	HANDLE	1				3
3	71161-125	LEVER ASS'Y	1				3
4							
5	76007-191	BUSH	1				3
6	36110-106	BUTTON	1				3
7							
8	71203-135	ARM C.P.	1				3
9	76007-183	BUSH	1				3
10	68013-371	SPRING	1				3
11	31056-127	GIB-HEADED PIN	1				3
12	576V0600	PUSH NUT	1				3
13	68013-392	SPRING	1				3
14	11109-111	LINK	1				3
15	61023-190	SLEEVE	1				3
16	64014-337	SHAFT	1				3
17	812V0800	C-SNAP RING	1				3
18	613L0800	PLAIN WASHER	1				3
19	71161-126-09	LEVER ASS'Y	1				5
21	76007-131	BUSH	2				5
22	68013-391	SPRING	1				3
23	91010-169	THROTTLE LEVER	1				3
24	61003-113	THRUST PLATE	1				3
25	68013-356	SPRING	1				3
26	31058-168	HEXAGON NUT	1				3
27	11095-117	LEVER	1				3
28	31062-109	PRE-COAT LOCK BOLT	1				3
37	68013-161	SPRING	1				5
38	71900-796	COVER ASS'Y	1				3
39	470L0514	(+)TAPPING SCREW	2				3
40	71906-142	BOLT SET	1				3
41	569L0800	FLANGE NYLON NUT	4				3
42	31057-134	HEXAGON BOLT	2				3
43	36061-118	KNOB	2				3
44	66008-103	PLUG BOX BAR (8x200)	1				1
45	66006-125	BOX SPANNER	1				1
46	68028-118	WIRE BAND (GT280)	3				5
48	91003-125	CONTROL CABLE	1				5
49	91003-180	CONTROL CABLE	1				5
50	91001-329	THROTTLE WIRE	1				5
51	91003-169	CONTROL CABLE	1				5
52	11062-178	FRAME C.P.	1				5
53	36098-160	GRASS BAG C.P.	1				10
54	41003-201	TUBE (15.6x800L)	1				5
55	68028-119	WIRE BAND (SHT18R-W)	2				5



Gear case ass'y

Brand:
P.cd: 71008-275Date: 14-Jul-2010
Revision: 01(A):
(B):
(C):

Ref.No	Parts.No	Parts.Name	Q'ty			Remarks	Recomm(%) Lot.100
			(A)	(B)	(C)		
1	71008-275	GEAR CASE ASS'Y	1				
2	51001-195	GEAR CASE	1				
3	51001-196	GEAR CASE	1				
4	61002-161	OIL SEAL (SD10205)	1				
5	61002-162	OIL SEAL (SD08144)	2				
6	61002-163	OIL SEAL (SD15245)	2				
7	64024-104	SHIFTER SHAFT	1				
8	11104-119	ARM	1				
9	320L0525	(+)HEXAGON BOLT (W/PW)	1				
10	611L0500	PLAIN WASHER	1				
11	571L0500	FLANGE NUT	1				
12	61003-109	THRUST PLATE	1				
13	78003-130	PINION	1				
14	91097-101	UNIVERSAL JOINT	1				
15	812V2000	C-SNAP RING	1				
16	717B0418	PARALLEL PIN	1				
17	11097-106	SHIFTER FORK	1				
18	11104-137	ARM	1				
19	311M0630	HEXAGON BOLT	1				
20	611L0600	PLAIN WASHER	1				
21	613L0600	PLAIN WASHER	1				
22	571L0600	FLANGE NUT	1				
23	61024-117	SPACER	1				
24	78001-162	BEVEL GEAR	1				
25	11129-107	CLUTCH	1				
26	64014-236	SHAFT	1				
27	68013-262	SPRING	1				
28	31034-171	PIN	1				
29	736U0320	SPRING PIN	1				
30	64014-235	SHAFT	1				
31	61024-118	SPACER	2				
32	78004-156	GEAR	1				
33	78004-155	GEAR	1				
34	64014-163	SHAFT	1				
35	78012-107	GEAR C.P.	1				
36	31034-150	PIN	1				
37	812V2200	C-SNAP RING	1				
38	214B11000	O-RING S110	1				
39	11083-201	COLLAR	2				
40	31057-262	HEXAGON BOLT	1				
41	68001-110	FIBER WASHER	1				
42	11006-165	STAY C.P.	1				
43	315L0625	(+)HEXAGON BOLT (W/PW,SW)	3				
44	315L0635	(+)HEXAGON BOLT (W/PW,SW)	2				
45	318L0612	(+)HEXAGON BOLT (W/SW)	1				
46	68007-132	SHIM (10.5x18x0.3)	0~2				

Gear case ass'y

(A):

Brand:

Date: 14-Jul-2010

(B):

P.cd: 71008-275

Revision: 01

(C):

Ref.No	Parts.No	Parts.Name	Q'ty			Remarks	Recomm(%) Lot.100
			(A)	(B)	(C)		
1	71008-275	GEAR CASE ASS'Y	1				-
2	51001-195	GEAR CASE	1				3
3	51001-196	GEAR CASE	1				3
4	61002-161	OIL SEAL (SD10205)	1				5
5	61002-162	OIL SEAL (SD08144)	2				5
6	61002-163	OIL SEAL (SD15245)	2				5
7	64024-104	SHIFTER SHAFT	1				3
8	11104-119	ARM	1				3
9	320L0525	(+)HEXAGON BOLT (W/PW)	1				3
10	611L0500	PLAIN WASHER	1				3
11	571L0500	FLANGE NUT	1				3
12	61003-109	THRUST PLATE	1				5
13	78003-130	PINION	1				3
14	91097-101	UNIVERSAL JOINT	1				3
15	812V2000	C-SNAP RING	1				1
16	717B0418	PARALLEL PIN	1				3
17	11097-106	SHIFTER FORK	1				3
18	11104-137	ARM	1				3
19	311M0630	HEXAGON BOLT	1				3
20	611L0600	PLAIN WASHER	1				3
21	613L0600	PLAIN WASHER	1				3
22	571L0600	FLANGE NUT	1				3
23	61024-117	SPACER	1				5
24	78001-162	BEVEL GEAR	1				3
25	11129-107	CLUTCH	1				3
26	64014-236	SHAFT	1				3
27	68013-262	SPRING	1				3
28	31034-171	PIN	1				3
29	736U0320	SPRING PIN	1				3
30	64014-235	SHAFT	1				3
31	61024-118	SPACER	2				3
32	78004-156	GEAR	1				3
33	78004-155	GEAR	1				3
34	64014-163	SHAFT	1				3
35	78012-107	GEAR C.P.	1				3
36	31034-150	PIN	1				3
37	812V2200	C-SNAP RING	1				1
38	214B11000	O-RING S110	1				5
39	11083-201	COLLAR	2				5
40	31057-262	HEXAGON BOLT	1				3
41	68001-110	FIBER WASHER	1				3
42	11006-165	STAY C.P.	1				5
43	315L0625	(+)HEXAGON BOLT (W/PW,SW)	3				3
44	315L0635	(+)HEXAGON BOLT (W/PW,SW)	2				3
45	318L0612	(+)HEXAGON BOLT (W/SW)	1				3
46	68007-132	SHIM (10.5x18x0.3)	0~2				3

Product code : For Housing (51043-151, -154)

Model :

