

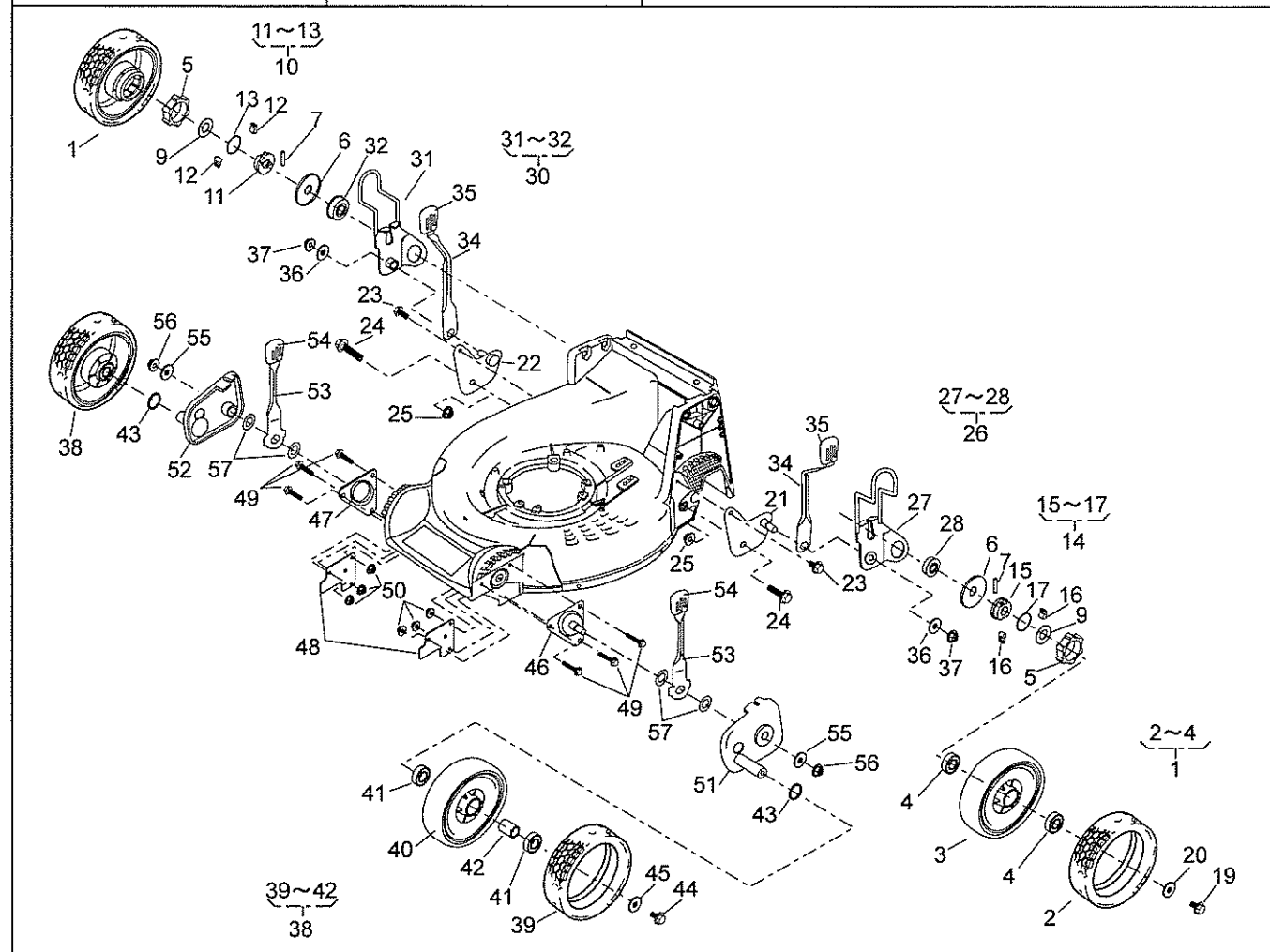
HANDLE

Brand: ISEKI
P.cd: 620173

Date: 1-Dec-2011
Revision: 00

(A): SW8210BAE4
(B):
(C):

Ref.No	Parts.No	Parts.Name	Q'ty			Remarks	Recomm(%) Lot.100
			(A)	(B)	(C)		
1	51027-266-114	HANDLE	1				3
2	51027-288-114	HANDLE	1				3
3	71161-125	LEVER ASS'Y	1				3
4							
5	76007-191	BUSH	1				3
6	36110-106	BUTTON	1				3
7							
8	71203-135	ARM C.P.	1				3
9	76007-183	BUSH	1				3
10	68013-371	SPRING	1				3
11	31056-127	GIB-HEADED PIN	1				3
12	576V0600	PUSH NUT	1				3
13	68013-392	SPRING	1				3
14	11109-111	LINK	1				3
15	61023-190	SLEEVE	1				3
16	64014-337	SHAFT	1				3
17	812V0800	C-SNAP RING	1				3
18	613L0800	PLAIN WASHER	1				3
19	71161-126-09	LEVER ASS'Y	1				5
21	76007-131	BUSH	2				5
22	68013-391	SPRING	1				3
23	91010-169	THROTTLE LEVER	1				3
24	61003-113	THRUST PLATE	1				3
25	68013-356	SPRING	1				3
26	31058-168	HEXAGON NUT	1				3
27	11095-117	LEVER	1				3
28	31062-109	PRE-COAT LOCK BOLT	1				3
37	68013-161	SPRING	1				5
38	71900-796	COVER ASS'Y	1				3
39	470L0514	(+)TAPPING SCREW	2				3
40	71906-142	BOLT SET	1				3
41	569L0800	FLANGE NYLON NUT	4				3
42	31057-134	HEXAGON BOLT	2				3
43	36061-118	KNOB	2				3
44	66008-103	PLUG BOX BAR (8x200)	1				1
45	66006-125	BOX SPANNER	1				1
46	68028-118	WIRE BAND (GT280)	3				5
48	91003-125	CONTROL CABLE	1				5
49	91003-180	CONTROL CABLE	1				5
50	91001-329	THROTTLE WIRE	1				5
51	91003-169	CONTROL CABLE	1				5
52	11062-178	FRAME C.P.	1				5
53	36098-160	GRASS BAG C.P.	1				10
54	41003-201	TUBE (15.6x800L)	1				5
55	68028-119	WIRE BAND (SHT18R-W)	2				5



Ref.No	Parts.No	Parts.Name	Q'ty			Remarks	Recomm(%) Lot.100
			(A)	(B)	(C)		
1	71041-136	WHEEL ASS'Y	2				3
2	91086-113	TIRE	2				5
4	916B6002	BEARING (6002DDC3)	4				3
5	11086-119	STOPPER	2				3
6	61003-112	THRUST PLATE	2				10
7	31034-137	PIN	2				10
9	68036-146	WASHER (16x31.5x1.0)	2				5
10	71158-104	RATCHET ASS'Y	1				-
11	11102-235	HOLDER	1				10
12	31034-170	PIN	2				10
13	68013-266	SPRING	1				10
14	71158-103	RATCHET ASS'Y	1				-
15	11102-235	HOLDER	1				10
16	31034-170	PIN	2				10
17	68013-266	SPRING	1				10
19	31057-181	HEXAGON BOLT	2				3
20	68036-101	WASHER (9x25x2.3)	2				3
21	11006-151	STAY C.P.	1				3
22	11006-152	STAY C.P.	1				3
23	342L0612	FLANGE TAPPING BOLT	2				3
24	31057-255	HEXAGON BOLT (M8x25)	2				3
25	584L0800	U-FLANGE NUT	2				3
26	71122-112	ADJUSTER ASS'Y	1				-
27	11142-131	ADJUSTER	1				10
28	945L0349	BEARING (F-PC0349L)	1				10
30	71122-113	ADJUSTER ASS'Y	1				-
31	11142-132	ADJUSTER	1				10
32	945L0349	BEARING (F-PC0349L)	1				10
34	11150-105-09	ADJUST LEVER	2				5
35	36061-121	KNOB	2				5
36	613L0800	PLAIN WASHER	2				5
37	569L0800	FLANGE NYLON NUT	2				5
38	71041-135	WHEEL ASS'Y	2				3
39	91086-113	TIRE	2				5
41	916B6002	BEARING (6002DDC3)	4				3
42	11083-332	COLLAR	2				3
43	51113-119	RING	2				3
44	31057-181	HEXAGON BOLT	2				3
45	68036-101	WASHER (9x25x2.3)	1				3
46	11006-153	STAY C.P.	1				5
47	11006-154	STAY C.P.	1				5
48	11113-409	STAY	2				3
49	335L0625	FLANGE BOLT	6				5
50	569L0600	FLANGE NYLON NUT	6				5
51	11142-129	ADJUSTER	1				5
52	11142-130	ADJUSTER	1				5
53	11150-109-09	ADJUST LEVER	2				5
54	36061-121	KNOB	2				5
55	68036-101	WASHER (9x25x2.3)	2				5
56	31058-176	NUT	2				5
57	68013-393	SPRING	4				3