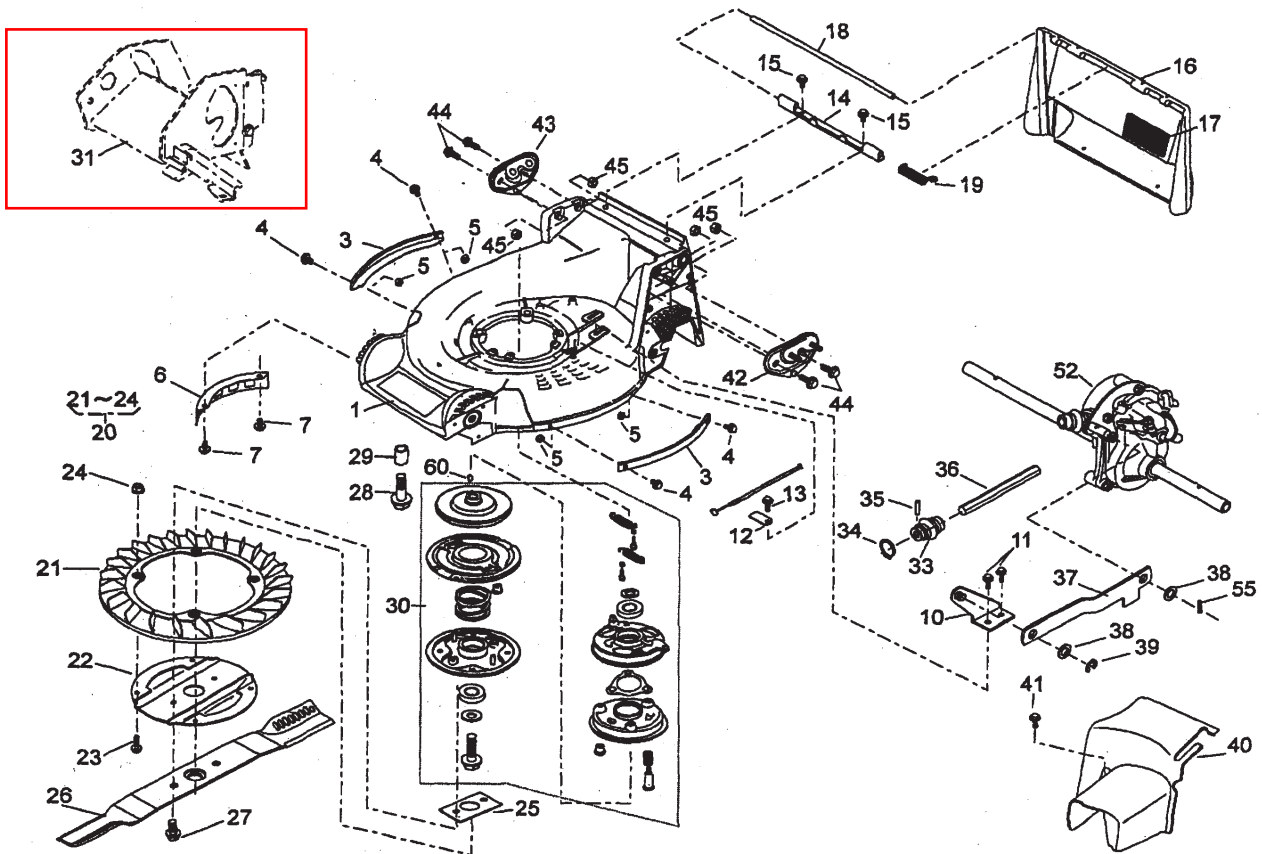


FIG.003 GRASS CUTTING



KA02-003 -0100

| KEY | PART CODE | DESCRIPTION | S P C | TYPE OF MODEL | | I T C | C O L | G R P | REMARKS |
|-----|-----------------|---------------------|-------------|---------------|------|-------------|-------------|-------------|--------------|
| | | | | SW8210 | BAE4 | | | | |
| 1 | 7066-510-431-51 | HOUSING | * | 1 | | | | | 51043-151-42 |
| 3 | 7066-510-901-17 | PROTECTOR | * | 2 | | | | | 51090-117-09 |
| 4 | 7066-335-L06-16 | FLANGE BOLT | * | 4 | | | | | 335L0616 |
| 5 | 7066-512-L06-00 | NUT,HEXAGON/M6 | * | 4 | | | | | 512L0600 |
| 6 | 7066-360-651-80 | COVER | * | 1 | | | | | 36065-180 |
| 7 | 7066-342-L06-12 | FLANGE TAPPING BOLT | * | 2 | | | | | 342L0612 |
| 10 | 7066-110-061-55 | STAY COMP | * | 1 | | | | | 11006-155 |
| 11 | 7066-342-L06-12 | FLANGE TAPPING BOLT | * | 2 | | | | | 342L0612 |
| 12 | 7066-111-134-07 | STAY | * | 1 | | | | | 11113-407 |
| 13 | 7066-342-L06-12 | FLANGE TAPPING BOLT | * | 1 | | | | | 342L0612 |
| 14 | 7066-111-132-92 | STAY | * | 1 | | | | | 11113-292 |
| 15 | 7066-342-L06-12 | FLANGE TAPPING BOLT | * | 2 | | | | | 342L0612 |
| 16 | 7066-000-054-30 | GUARD | * | 1 | | | | | 36068-196-42 |
| 17 | 7066-360-801-49 | RUBBER SHEET | * | 1 | | | | | 36080-149 |
| 18 | 7066-640-143-24 | SHAFT | * | 1 | | | | | 64014-324 |
| 19 | 7066-680-133-36 | SPRING | * | 1 | | | | | 68013-336 |
| 20 | 7066-710-821-11 | FAN ASSY | * | 1 | | | | | 71082-111 |
| 21 | 7066-511-251-03 | FAN | * | 1 | | | | | 51125-103 |
| 22 | 7066-111-021-51 | HOLDER | * | 1 | | | | | 11102-151 |
| 23 | 7066-310-621-69 | PRE-COAT LOCK BOLT | * | 4 | | | | | 31062-169 |
| 24 | 7066-579-L06-00 | FLANGE NUT | * | 4 | | | | | 579L0600 |
| 25 | 7066-610-242-08 | SPACER | * | 1 | | | | | 61024-208 |
| 26 | 7066-910-141-88 | BLADE | * | 1 | | | | | 91014-188 |
| 27 | 7066-310-571-97 | HEXAGON BOLT | * | 2 | | | | | 31057-197 |
| 28 | 7066-310-572-43 | HEXAGON BOLT | * | 4 | | | | | 31057-243 |
| 29 | 7066-610-241-42 | SPACER | * | 3 | | | | | 61024-142 |
| 30 | 7066-710-671-06 | BRAKE ASSY | * | 1 | | | | | 71067-106 |
| 33 | 7066-910-971-01 | UNIVERSAL JOINT | * | 1 | | | | | 91097-101 |
| 34 | 7066-812-V20-00 | C-SNAP RING | * | 1 | | | | | 812V2000 |
| 35 | 7066-717-B04-18 | PARALLEL PIN | * | 1 | | | | | 717B0418 |

