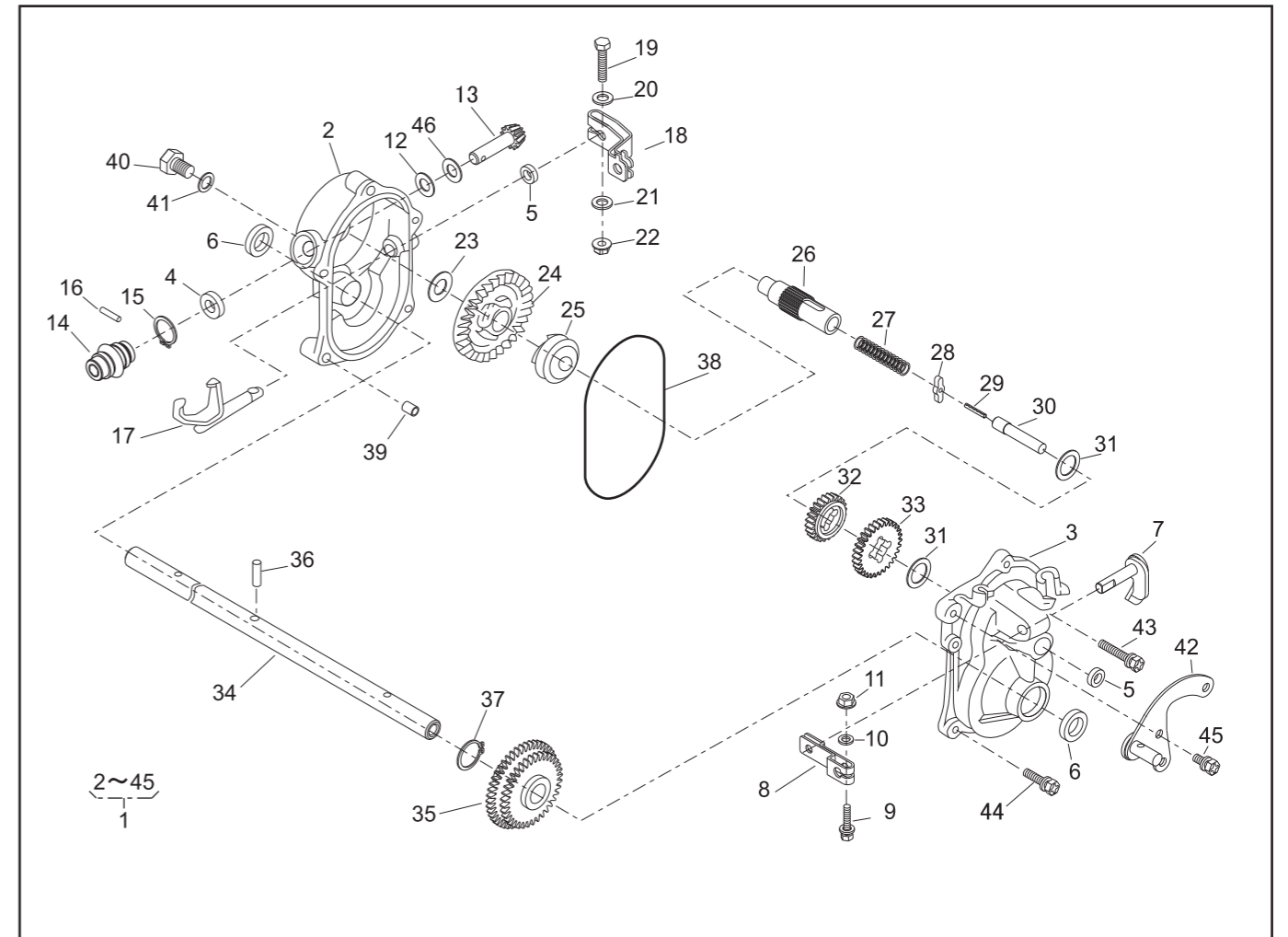


**PARTS LIST**  
GEAR CASE ASSY (71008-275)

P/L No. 46014-262-04

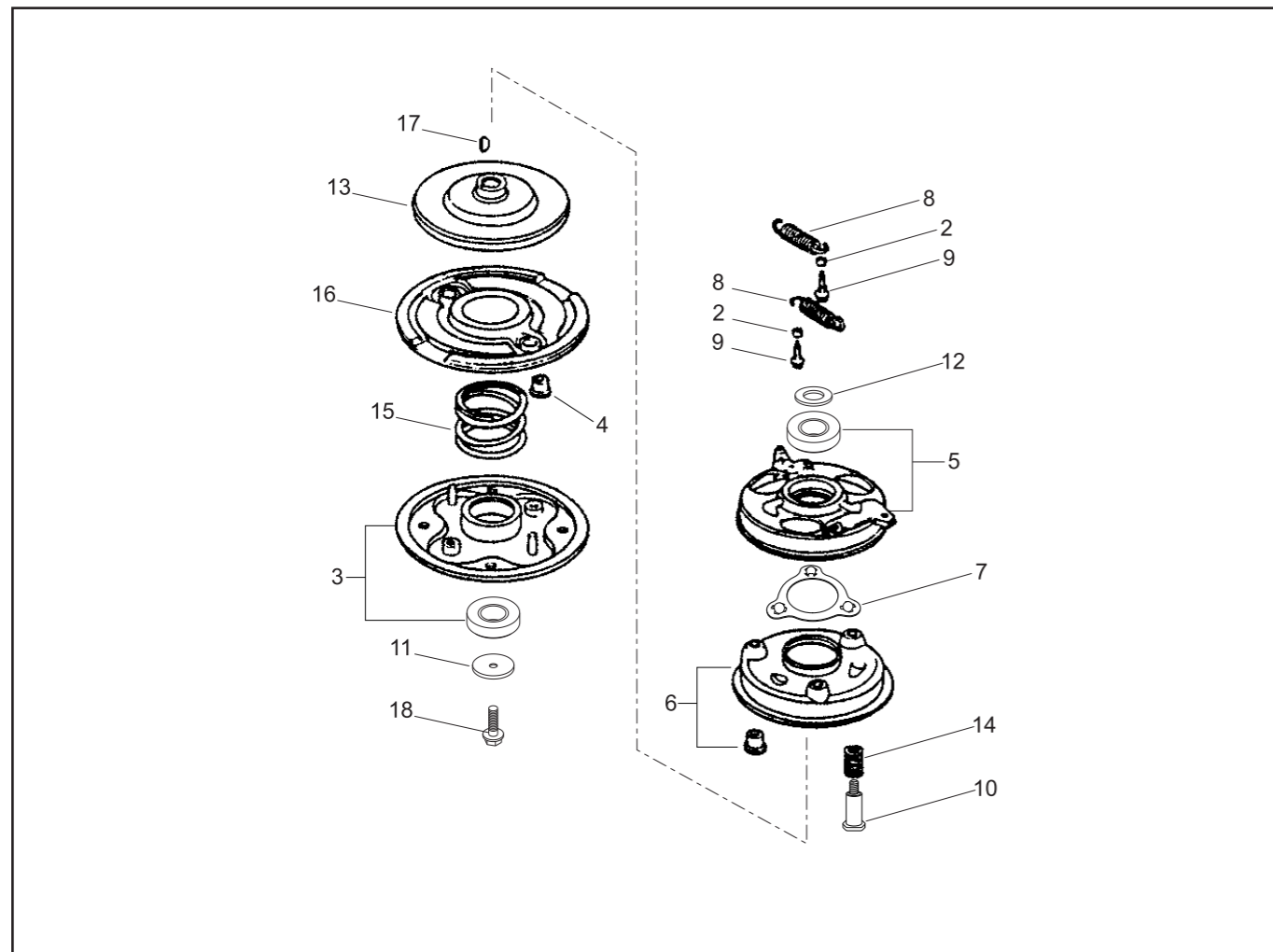
REF. No.	PARTS No.	PARTS NAME	GEAR CASE		PRICE( )	1/2		REMARKS
			Q'TY INCLUDING			RECOMM.(%) Lot.100		
1	71008   275	GEAR CASE ASS'Y	1			-		
2	51001   195	GEAR CASE	1			3		
3	51001   196	GEAR CASE	1			3		
4	61002   161	OIL SEAL	1			5		SD 10 20 5
5	61002   162	OIL SEAL	2			5		SD 08 14 4
6	61002   163	OIL SEAL	2			5		SD 15 24 5
7	64024   104	SHIFTER SHAFT	1			3		
8	11104   119	ARM	1			3		
9	320L   0525	(+)HEXAGON BOLT (W/PW)	1			3		M5 × 25
10	611L   0500	PLAIN WASHER	1			3		M5
11	571L   0500	FLANGE NUT	1			3		M5
12	61003   109	THRUST PLATE	1			5		
13	78003   130	PINION	1			3		
14	91097   101	UNIVERSAL JOINT	1			3		
15	812V   2000	C-SNAP RING	1			1		φ 20
16	717B   0418	PARALLEL PIN	1			3		φ 4 × 18
17	11097   106	SHIFTER FORK	1			3		
18	11104   137	ARM	1			3		
19	311M   0630	HEXAGON BOLT	1			3		M6 × 30
20	611L   0600	PLAIN WASHER	1			3		M6
21	613L   0600	PLAIN WASHER	1			3		M6
22	571L   0600	FLANGE NUT	1			3		M6
23	61024   117	SPACER	1			5		
24	78001   162	BEVEL GEAR	1			3		
25	11129   107	CLUTCH	1			3		
26	64014   236	SHAFT	1			3		
27	68013   262	SPRING	1			3		



**PARTS LIST**  
GEAR CASE ASSY (71008-275)

P/L No. 46014-262-04

REF. No.	PARTS No.	PARTS NAME	GEAR CASE		PRICE( )	2/2		REMARKS
			Q'TY INCLUDING			RECOMM.(%) Lot.100		
28	31034   171	PIN	1			3		
29	736U   0320	SPRING PIN	1			3		
30	64014   235	SHAFT	1			3		
31	61024   118	SPACER	2			3		
32	78004   156	GEAR	1			3		
33	78004   155	GEAR	1			3		
34	64014   163	SHAFT	1			3		
35	78012   107	GEAR C.P.	1			3		
36	31034   150	PIN	1			3		
37	812V   2200	C-SNAP RING	1			1		φ 22
38	214B   11000	O-RING	1			5		S110
39	11083   201	COLLAR	2			5		
40	31057   262	HEXAGON BOLT	1			3		M10 × 1.25
41	68001   110	FIBER WASHER	1			3		
42	11006   165	STAY C.P.	1			5		
43	315L   0625	(+)HEXAGON BOLT (W/SW,PW)	3			3		M6 × 25
44	315L   0635	(+)HEXAGON BOLT (W/SW,PW)	2			3		M6 × 35
45	318L   0612	(+)HEXAGON BOLT (W/SW)	1			3		M6 × 12
46	68007   132	SHIM	0~2			3		



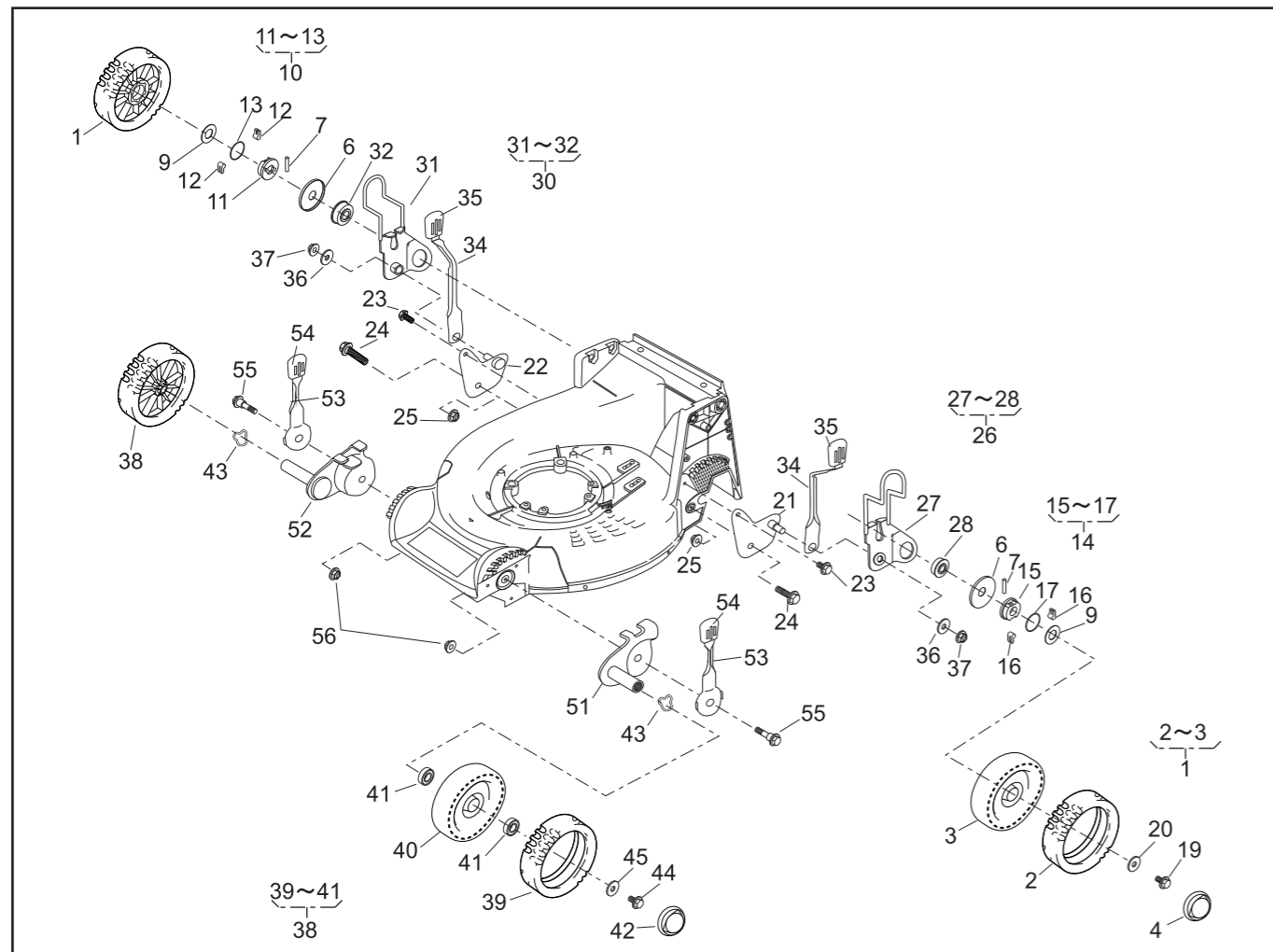
## PARTS LIST

### BRAKE ASSY (71067-106)

P/L No. 46014-266-02

REF. No.	PARTS No.	PARTS NAME	BBC		1/1	Feb.09,2005	REMARKS
			Q'TY INCLUDING	PRICE( )	RECOMM.(%) Lot.100		
1	71067   106	BRAKE ASS'Y	1				
2	19512   883  000	FAN COLLAR	2				
3	72600   VA4  010	HOLDER ASS'Y	1				
4	72613   VA4  000	BUSH, BLADE HOLDER	2				
5	75090   VA4  030	CONTROL ASS'Y	1				
6	75100   VA4  010	BRAKE C.P.	1				
7	75110   VA4  000	BALL RETAINER C.P.	1				
8	75182   VA3  J00	SPRING, CLUTCH RETURN	2				
9	90014   952  000	FLANGE BOLT	2				6 x 14
10	90021   VA4  000	BOLT, SPECIAL	3				6 mm
11	90409   952  000	WASHER	1				10 mm
12	90501   952  010	THRUST WASHER	1				
13	75130   VA4  000	BRAKE DISK	1				
14	75132   VA4  000	SPRING, BRAKE HOLDER	3				
15	75183   VA3  J00	SPRING, CLUTCH	1				
16	75150   VA3  J01	DRIVEN DISK C.P.	1				
17	94401  16150	WOODRUFF KEY	1				
18	90105   960  003	BOLT (10x25)	1				
19							
20							
21							
22							
23							
24							
25							
26							
27							
28							

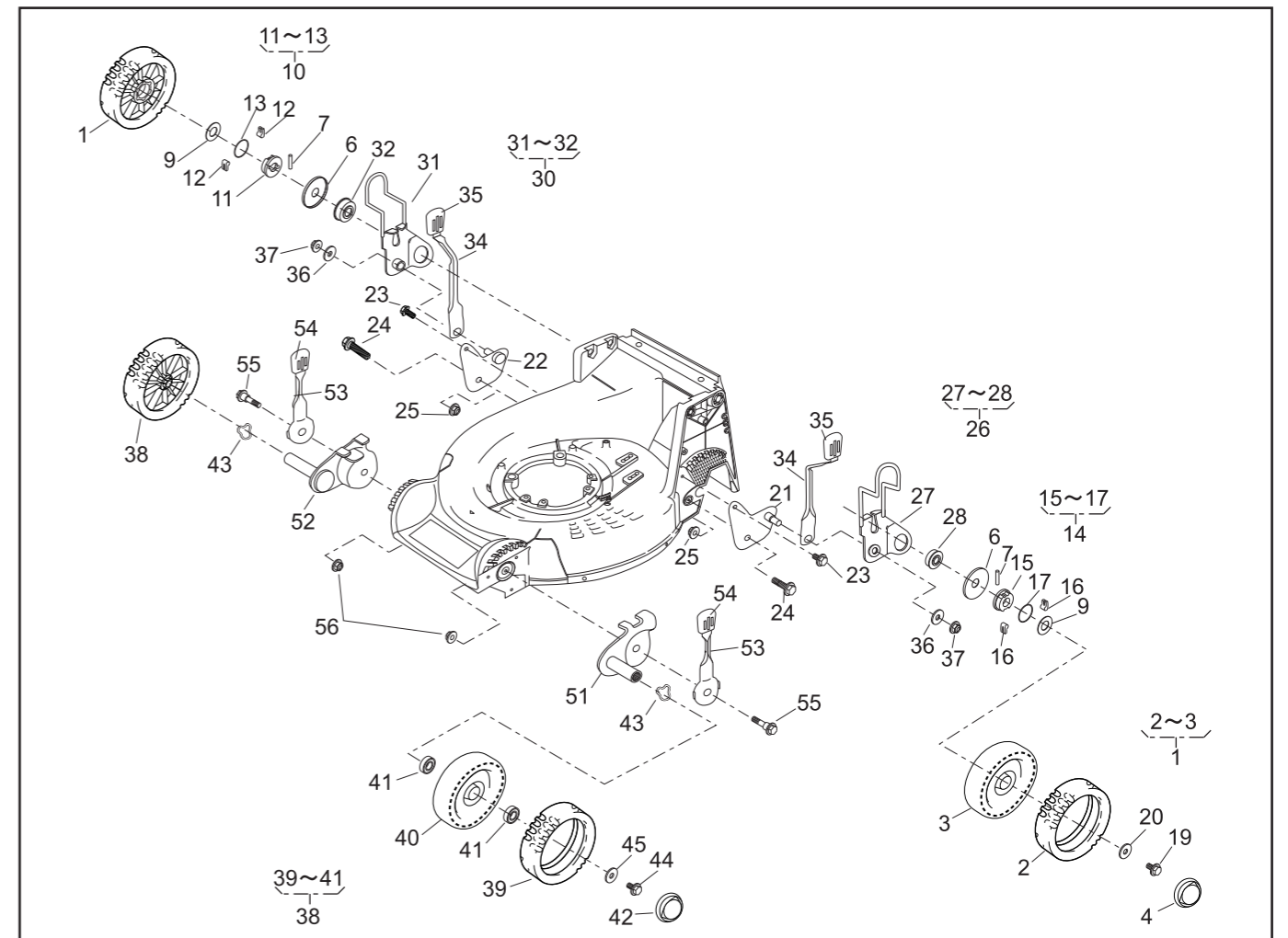




### PARTS LIST

P/L No. 46014-501-00

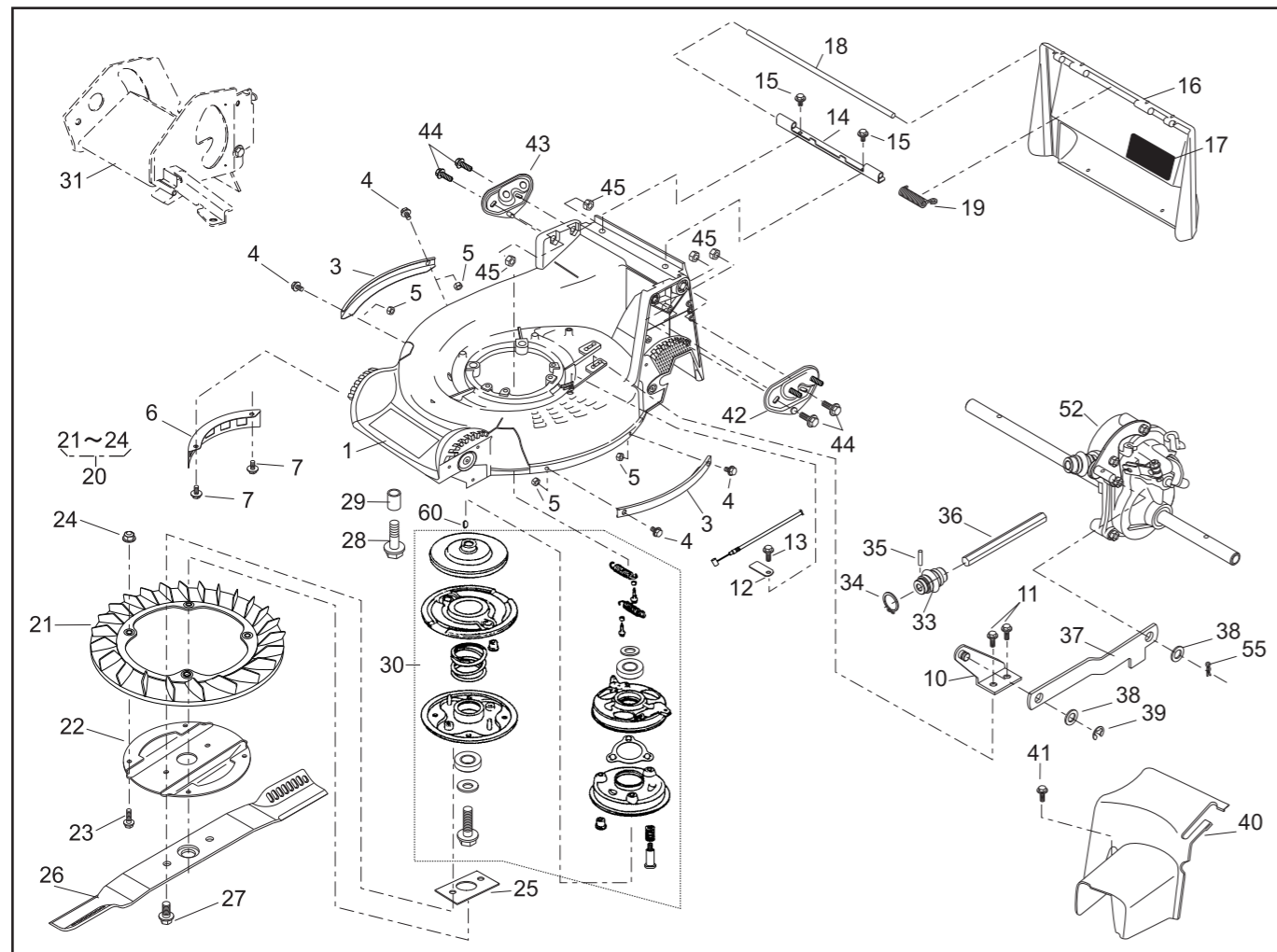
REF. No.	PARTS No.	PARTS NAME	WHEEL		PRICE( )	RECOMM.(%) Lot.100	REMARKS
			Q'TY	INCLUDING			
1	71041   112	WHEEL ASSY(R)	2				
2	91086   106	TIRE	2				
3	36107   101	WHEEL	2				
4	36070   110	CAP	2				
5							
6	61003   112	THRUST PLATE	2				
7	31034   137	PIN	2				
8							
9	68036   146	WASHER	2				
10	71158   101	RATCHET ASSY(R)	1				
11	11102   138	HOLDER	1				
12	31034   170	PIN	2				
13	68013   266	SPRING	1				
14	71158   102	RATCHET ASSY(L)	1				
15	11102   138	HOLDER	1				
16	31034   170	PIN	2				
17	68013   266	SPRING	1				
18							
19	31057   181	HEXAGON BOLT	2				
20	68036   101	WASHER	2				
21	11006   151	STAY C.P.(RL)	1				
22	11006   152	STAY C.P.(RR)	1				
23	342L   0612	FLANGE TAPPING BOLT	2				
24	31057   255	HEXAGON BOLT	2				
25	584L   0800	U-FLANGE NUT	2				
26	71122   112	ADJUSTER ASSY(L)	1				
27	11142   131	ADJUSTER(RL)	1				
28	945L   0349	BEARING	1				
29							
30	71122   113	ADJUSTER ASSY(R)	1				



### PARTS LIST

P/L No. 46014-501-00

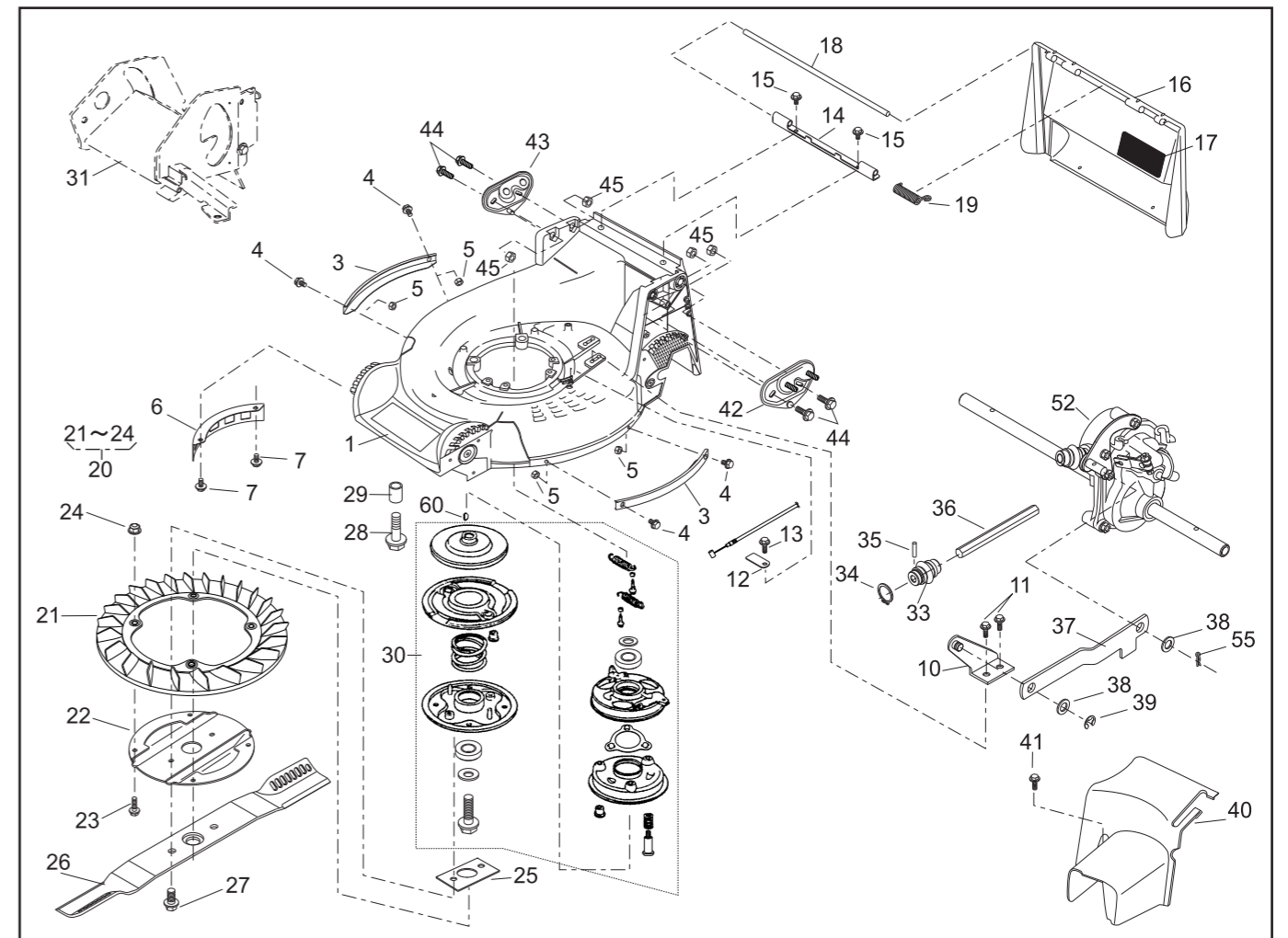
REF. No.	PARTS No.	PARTS NAME	WHEEL		PRICE( )	RECOMM.(%) Lot.100	REMARKS
			Q'TY	INCLUDING			
31	11142   132	ADJUSTER(RR)	1				
32	945L   0349	BEARING	1				
33							
34	11150   105   09	ADJUST LEVER	2				
35	36061   121	KNOB	2				
36	613L   0800	PLAIN WASHER	2				
37	569L   0800	FLANGE NYLON NUT	2				
38	71041   103	WHEEL ASSY(F)	2				
39	91086   106	TIRE	2				
40	36107   102	WHEEL	2				
41	932L   0696	BEARING	4				
42	36070   110	CAP	2				
43	664V   0626	WAVE SPRING WASHER	2				
44	31057   181	HEXAGON BOLT	2				
45	68036   101	WASHER	2				
46							
47							
48							
49							
50							
51	11142   134	ADJUSTER(FL)	1				
52	11142   135	ADJUSTER(FR)	1				
53	11150   107   09	ADJUST LEVER	2				
54	36061   121	KNOB	2				
55	31057   260	HEXAGON BOLT	2				
56	569L   0800	FLANGE NYLON NUT	2				
57							
58							
59							
60							



### PARTS LIST

P/L No. 46014-535-00

NOTE	REF. No.	PARTS No.	PARTS NAME	GRASS-CUTTING		PRICE( )	RECOMM.(%) Lot.100	REMARKS
				Q'TY	INCLUDING			
	1	51043   151   42	HOUSING	1				
	2							
	3	51090   117   09	PROTECTOR	2				
	4	335L   0616	FLANGE BOLT	4				
	5	512L   0600	HEXAGON NUT	4				
	6	36065   180	COVER	1				
	7	342L   0612	FLANGE TAPPING BOLT	2				
	8							
	9							
	10	11006   155	STAY C.P.	1				
	11	342L   0612	FLANGE TAPPING BOLT	2				
	12	11113   407	STAY	1				
	13	342L   0612	FLANGE TAPPING BOLT	1				
	14	11113   292	STAY	1				
	15	342L   0612	FLANGE TAPPING BOLT	2				
	16	36068   196   46	GUARD	1				
	17	36080   149	RUBBER SHEET	1				
	18	64014   324	SHAFT	1				
	19	68013   336	SPRING	1				
	20	71082   111	FAN ASS'Y	1				
	21	51125   103	FAN	1				
	22	11102   151	HOLDER	1				
	23	31062   169	PRE-COAT LOCK BOLT	4				
	24	579L   0600	FLANGE NUT	4				
	25	61024   208	SPACER	1				
	26	91014   188	BLADE	1				
	27	31057   197	HEXAGON BOLT	2				
	28	31057   243	HEXAGON BOLT	4				
	29	61024   142	SPACER	3				
	30	71067   106	BRAKE ASS'Y	1				



### PARTS LIST

P/L No. 46014-535-00

NOTE	REF. No.	PARTS No.	PARTS NAME	GRASS-CUTTING		PRICE( )	RECOMM.(%) Lot.100	REMARKS
				Q'TY	INCLUDING			
	31		COVER UNIT (Ref. P/L No. 46012-550-**)					
	32							
	33	91097   101	UNIVERSAL JOINT	1				
	34	812V   2000	C-SNAP RING	1				
	35	717B   0418	PARALLEL PIN	1				
	36	64014   358	SHAFT	1				
	37	91049   135	CONNECTOR	1				
	38	68036   280	WASHER	2				
	39	816V   0800	E-SNAP RING	1				
	40	36065   438	COVER	1				
	41	342L   0616	FLANGE TAPPING BOLT	1				
	42	51116   149	HANDLE BRACKET(L)	1				
	43	51116   150	HANDLE BRACKET(R)	1				
	44	31057   255	HEXAGON BOLT	4				
	45	512L   0800	HEXAGON NUT	4				
	46							
	47							
	48							
	49							
	50							
	51							
	52	71008   275	GEAR CASE ASS'Y	1				
	53							
	54							
	55	733L   1000	SNAP PIN	1				
	56							
	57							
	58							
	59	122040	ENGINE:HONDA GXV160H2-SFL1-NH1	1				
	60		WOODRUFF KEY	1				

