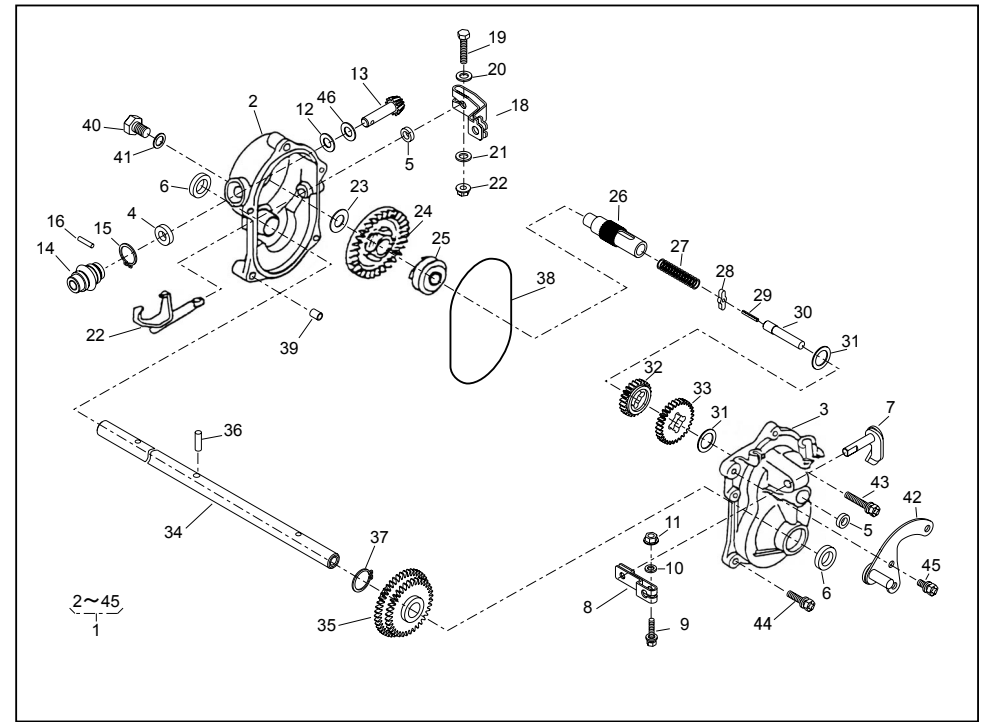


PARTS LIST

MODEL : SW5210-BAE4 (ISEKI)

46014-162

REF. No.	PARTS No.	PARTS NAME	GEAR CASE		1/2	Jan.25,2003
			Q'TY INCLUDING	PRICE()	RECOMM.(%) Lot.100	REMARKS
1	7066-71008-275	GEAR CASE ASSY	1		-	
2	7066-51001-195	GEAR CASE	1		3	
3	7066-51001-196	GEAR CASE	1		3	
4	7066-61002-161	OIL SEAL	1		5	SD 10 20 5
5	7066-61002-162	OIL SEAL	2		5	SD 8 14 4
6	7066-61002-163	OIL SEAL	2		5	SD 15 24 5
7	7066-64024-104	THIFTER SHAFT	1		3	
8	7066-11104-119	ARM	1		3	
9	7066-320L0525	HEXAGON BOLT(PW)	1		3	M5 × 25
10	7066-611L0500	PLAIN WASHER	1		3	M5
11	7066-571L0500	FLANGE NUT	1		3	M5
12	7066-61003-109	THRUST PLATE	1		5	
13	7066-78003-111	PINION	1		3	
14	7066-91097-101	UNIVERSAL JOINT	1		3	
15	7066-812V2000	C-SNAP RING FOR SHAFT		1	1	φ 20
16	7066-717B0418	PARALLEL PIN		1	3	φ 4 × 18
17	7066-11097-106	SHIFTER FORK	1		3	
18	7066-11104-137	ARM	1		3	
19	7066-311M0630	(+)HEXAGON BOLT	1		3	M6 × 30
20	7066-611L0600	PLAIN WASHER	1		3	M6
21	7066-613L0600	PLAIN WASHER	1		3	M6
22	7066-571L0600	FLANGE NUT	1		3	M6
23	7066-61024-117	SPACER	1		5	
24	7066-78001-136	BEVEL GEAR	1		3	
25	7066-11129-107	CLUTCH	1		3	
26	7066-64014-236	SHAFT	1		3	
27	7066-68013-262	SPRING	1		3	

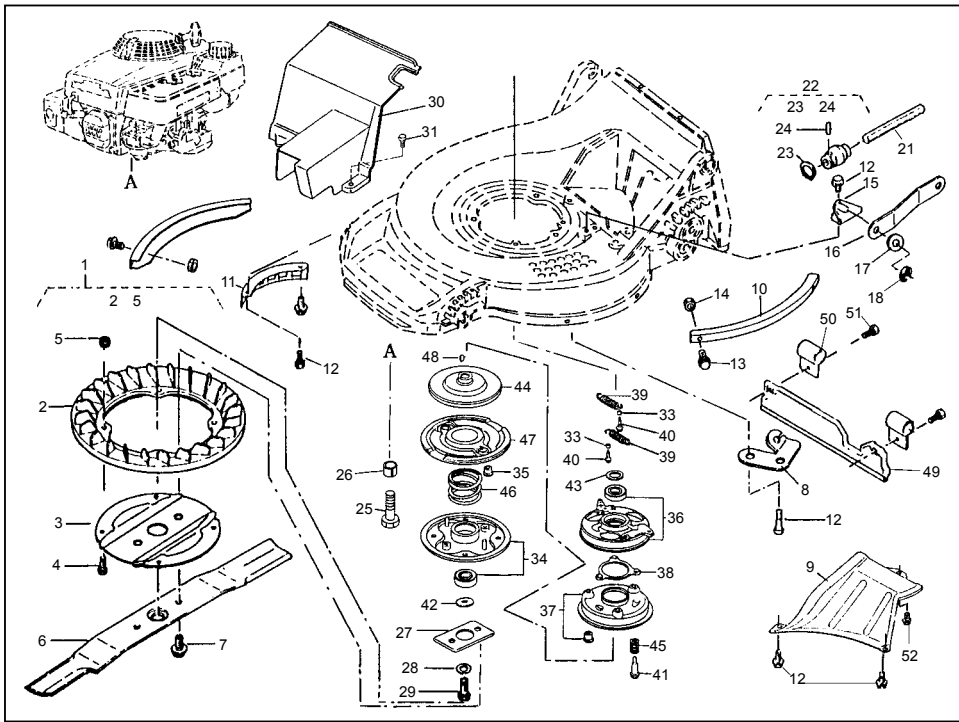


PARTS LIST

MODEL : SW5210-BAE4 (ISEKI)

46014-162

REF. No.	PARTS No.	PARTS NAME	GEAR CASE		2/2	Jan.25,2003
			Q'TY INCLUDING	PRICE()	RECOMM.(%) Lot.100	REMARKS
28	7066-31034-171	PIN	1		3	
29	7066-736U0320	SPRING PIN	1		3	
30	7066-64014-235	SHAFT	1		3	
31	7066-61024-118	SPACER	2		3	
32	7066-78004-156	GEAR	1		3	
33	7066-78004-155	GEAR	1		3	
34	7066-64014-163	SHAFT	1		3	
35	7066-78012-107	GEAR C.P.	1		3	
36	7066-31034-150	PIN	1		3	
37	7066-812V2200	C-SNAP RING FOR SHAFT	1		1	φ 22
38	7066-214B11000	O-RING	1		5	S110
39	7066-11083-201	COLLAR	2		5	
40	7066-31057-126	HEXAGON BOLT	1		3	
41	7066-68001-110	FIBER WASHER	1		3	
42	7066-11006-101	STAY C.P.	1		5	
43	7066-315L0625	(+)HEXAGON BOLT(SW,PW)	3		3	M6 × 25
44	7066-315L0635	(+)HEXAGON BOLT(SW,PW)	2		3	M6 × 35
45	7066-318L0612	(+)HEXAGON BOLT(SW)	1		3	M6 × 12
46	7066-68007-132	SHIM	0~2		3	

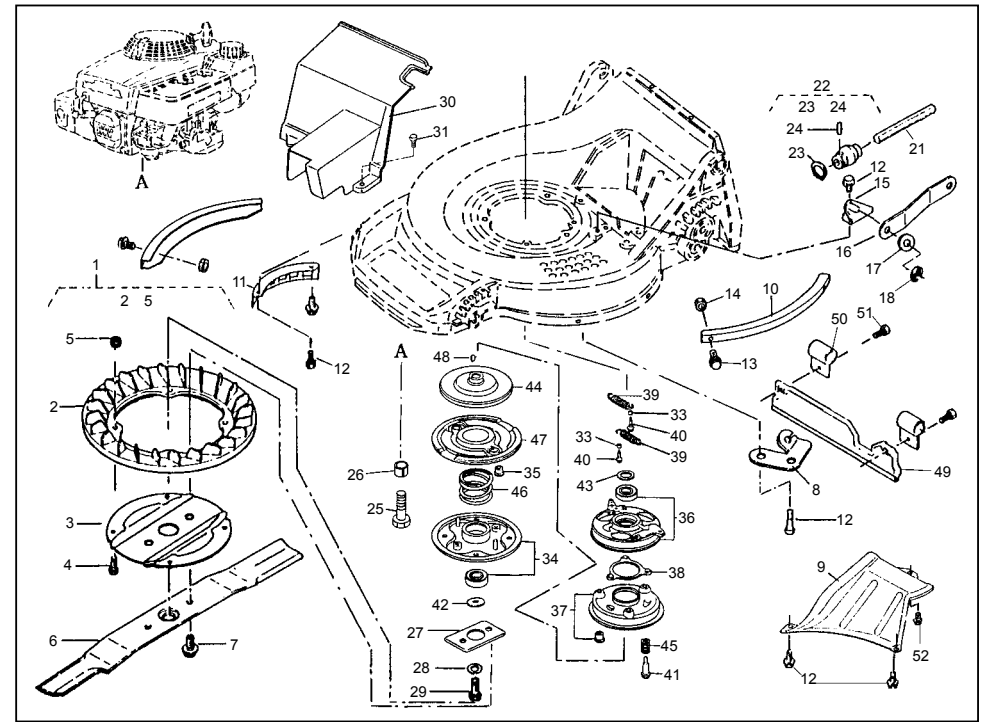


PARTS LIST

MODEL : SW5210-BAE4 (ISEKI)

46014-162

REF. No.	PARTS No.	PARTS NAME	GRASS-CUTTING		1/2	Jan.25,2003
			Q'TY	PRICE()	RECOMM.(%) Lot.100	REMARKS
1	7066-71082-110	FAN ASSY	1		-	
2	7066-51125-103	FAN	1		5	
3	7066-11102-151	HOLDER	1		5	
4	7066-335L0620	FLANGE BOLT	4		5	M6 ² 20
5	7066-569L0600	FLANGE NYLON NUT	4		5	M6
6	7066-91014-159	BLADE	1		15	
7	7066-31057-197	HEXAGON BOLT	2		15	
8	7066-51002-118	WIRE HOLDER	1		3	
9	7066-36065-300	COVER	1		10	
10	7066-51090-117-09	PROTECTOR	2		5	
11	7066-36065-180	COVER	1		3	
12	7066-342J0612	FLANGE BOLT TAPPING	8		3	M6 ² 12
13	7066-335L0610	FLANGE BOLT	4		5	M6 ² 10
14	7066-512L0600	HEXAGON NUT	4		3	M6
15	7066-11006-113	STAY C.P.	1		5	
16	7066-91049-116	CONNECTOR	1		5	
17	7066-611L1000	WASHER	1		3	M10
18	7066-816V0800	E-SNAP RING	1		5	8
19						
20						
21	7066-64014-222	SHAFT	1		3	
22	7066-91097-101	UNIVERSAL JOINT	1		3	
23	7066-812V2000	C-SNAP RING FOR SHAFT	1		1	20
24	7066-717B0418	PARALLEL PIN	1		5	4 ² 18
25	7066-31057-243	HEXAGON BOLT	4		3	
26	7066-61024-142	SPACER	3		3	
27	7066-61024-169	SPACER	1		3	

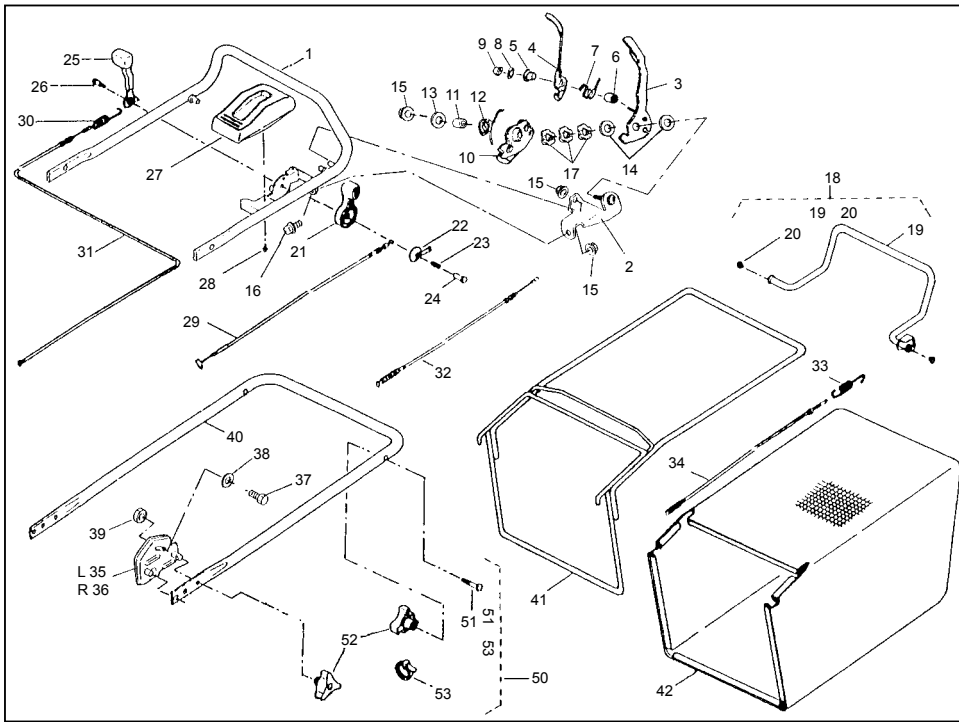


PARTS LIST

MODEL : SW5210-BAE4 (ISEKI)

46014-162

REF. No.	PARTS No.	PARTS NAME	GRASS-CUTTING		2/2	Jan.25,2003
			Q'TY	PRICE()	RECOMM.(%) Lot.100	REMARKS
28	7066-671V1000	CONICAL SPRING WASHER	1		3	
29	7066-31057-196	HEXAGON BOLT	1		3	
30	7066-36065-397	COVER	1		3	
31	7066-342L0616	FLANGE BOLT TAPPING	1		3	M6 ² 16
32	7066-71067-106	BRAKE ASSY	1		-	
33	7066-19512-883-000	FAN COLLAR	2		-	
34	7066-72600-VA4-010	BLADE HOLDER ASSY	1		3	
35	7066-72613-VA4-000	BLADE HOLDER BUSH	2		5	
36	7066-75090-VA4-030	BALL CONTROL PLATE	1		10	
37	7066-75100-VA4-010	BRAKE C.P.	1		3	
38	7066-75110-VA4-000	BALL RETAINER C.P.	1		10	
39	7066-75182-VA3-J00	CLUTCH RETURN SPRING	2		5	
40	7066-90014-952-000	FLANGE BOLT	2		3	
41	7066-90021-VA4-000	SPECIAL BOLT	3		3	
42	7066-90409-952-000	WASHER	1		3	
43	7066-90501-952-010	THRUST WASHER	1		3	
44	7066-75130-VA4-000	DRIVE DISK	1		3	
45	7066-75132-VA4-000	BRAKE HOLDER SPRING	3		5	
46	7066-75183-VA3-J00	CLUTCH SPRING	1		3	
47	7066-75150-VA3-J01	DRIVEN DISK C.P.	1		3	
48	7066-94401-16150	WOOD RUFF KEY	1		15	
49	7066-36046-118	SAFETY GUARD	1		3	
50	7066-11012-126	HANGER BAND	2		3	
51	7066-335L0616	FLANGE BOLT	2		15	M6 ² 16
52	7066-342J0610	FLANGE BOLT TAPPING	1		3	M6 ² 10

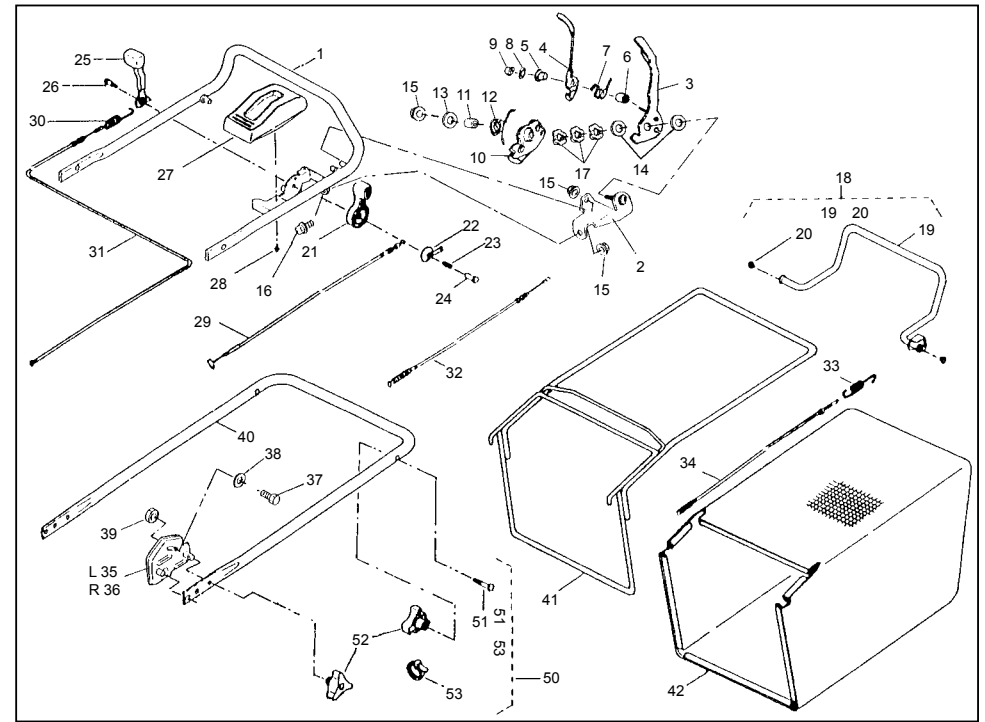


PARTS LIST

MODEL : SW5210-BAE4 (ISEKI)

46014-162

REF. No.	PARTS No.	PARTS NAME	HANDLE		1/2	RECOMM.(%) Lot.100	REMARKS
			Q'TY	PRICE()			
1	7066-51027-242	HANDLE	1		3		
2	7066-11113-396-09	STAY	1		5		
3	7066-11095-160-09	LEVER	1		10		
4	7066-11095161-09	LEVER	1		10		
5	7066-76007-131	BUSH	1		10		
6	7066-61024-206	SPACER	1		5		
7	7066-68013-334	SPRING	1		5		
8	7066-68036-198	WASHER	1		3		
9	7066-563L0600	U-HEXAGON CAP NUT	1		5	M6	
10	7066-11109-108	LINK	1		5		
11	7066-61024-207	SPACER	1		10		
12	7066-68013-335	SPRING	1		10		
13	7066-68036-262	WASHER	1		5		
14	7066-68036-200	WASHER	2		5		
15	7066-569L0800	FLANGE NYLON NUT	3		5	M8	
16	7066-335L0820	FLANGE BOLT	1		3	M8 ² 20	
17	7066-664J1600	WAVE SPRING WASHER	3		3	M16	
18	7066-71161-111-09	LEVER ASSY	1		-		
19	LEVER		1		-		
20	7066-76007-131	BUSH	2		15		
21	7066-91010-169	THROTTLE LEVER	1		10		
22	7066-61003-113	THRUST PLATE	1		5		
23	7066-68013-356	SPRING	1		3		
24	7066-31058-168	HEXAGON NUT	1		3		
25	7066-11095-117	LEVER	1		3		
26	7066-31062-109	PRE-COAT LOCK BOLT	1		5		
27	7066-71900-796	COVER ASSY	1		3		

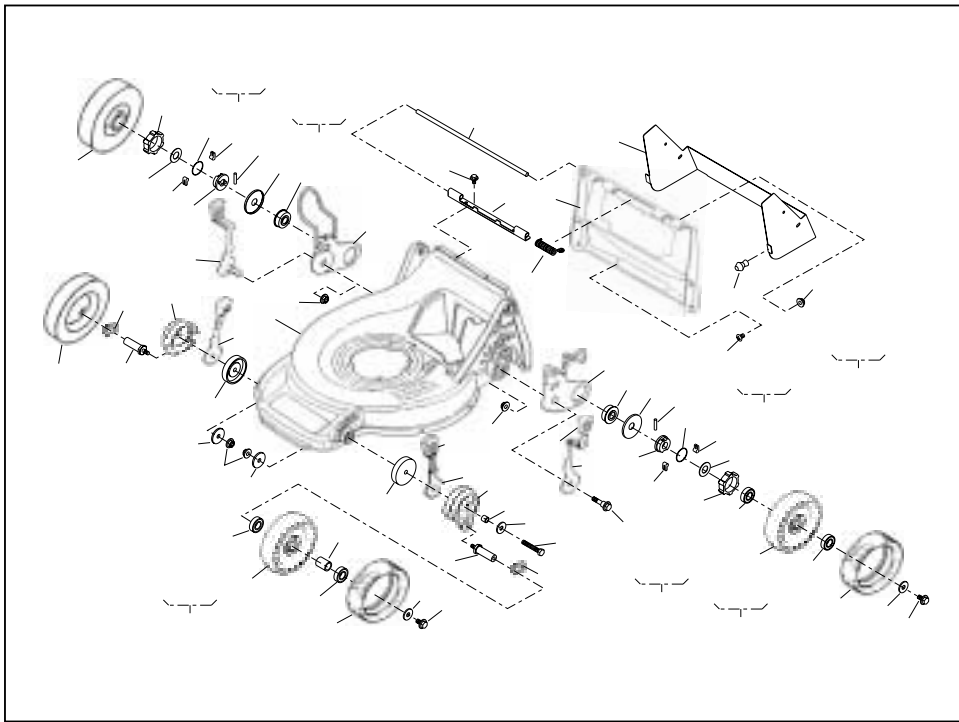


PARTS LIST

MODEL : SW5210-BAE4 (ISEKI)

46014-162

REF. No.	PARTS No.	PARTS NAME	HANDLE		2/2	RECOMM.(%) Lot.100	REMARKS
			Q'TY	PRICE()			
28	7066-470L0514	(+)TAPPING SCREW	2		3		M5 ² 14
29	7066-91001-233	THROTTLE WIRE (GXV120/GXV160)	1		10		
30	7066-68013-161	SPRING	1		5		
31	7066-91003-125	CONTROL CABLE	1		10		
32	7066-91003-144	CONTROL CABLE (BBC)	1		15		
33	7066-68013-183	SPRING	1		15		
34	7066-91003-140	CONTROL CABLE	1		10		
35	7066-51116-132	HANDLE BRACKET (L)	1		3		
36	7066-51116-133	HANDLE BRACKET (R)	1		3		
37	7066-312M0830	HEXAGON BOLT(SW)	2		3	M8 ² 30	
38	7066-68036-101	WASHER	2		3		
39	7066-512L0800	HEXAGON NUT	2		3	M8	
40	7066-51027-150	HANDLE	1		3		
41	7066-11062-143	FRAME C.P.	1		10		
42	7066-36098-145	GRASS BAG C.P. (ISEKI)	1		15		
43					-		
44					3		
45					3		
46					3		
47							
48							
49							
50	7066-71052-119	BOLT SET	1				
51	7066-31057-134	BOLT	2				
52	7066-36061-118	KNOB	4				
53	7066-68028-103	WIRE BAND	2				
54							

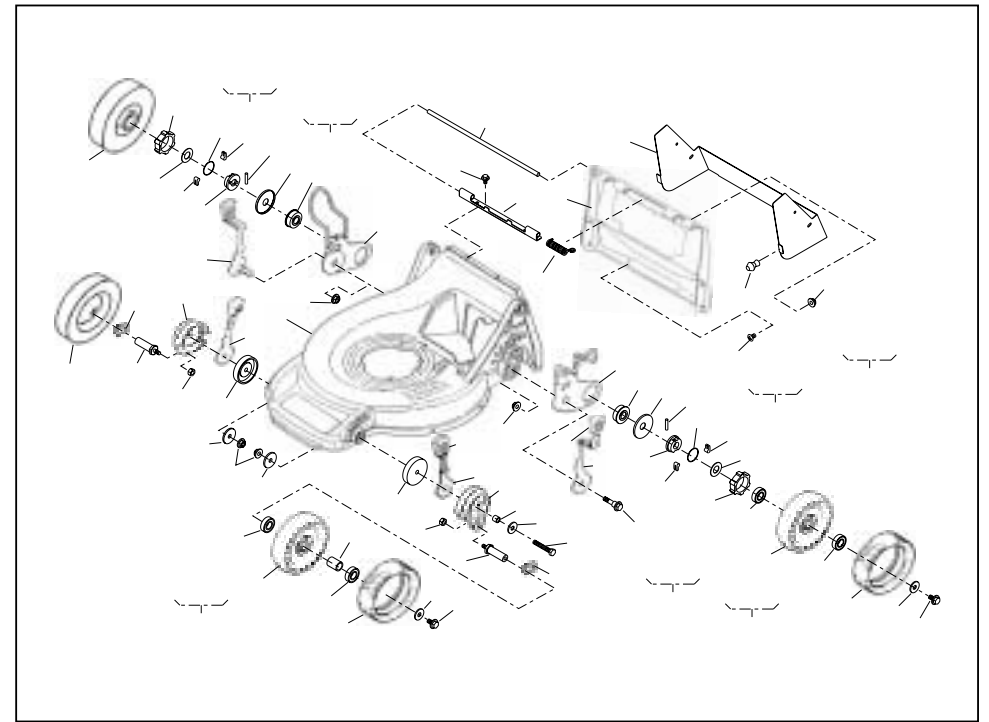


PARTS LIST

MODEL : SW5210-BAE4 (ISEKI)

46014-162

REF. No.	PARTS No.	PARTS NAME	AI-WHEEL		1/2	REMARKS
			Q'TY	PRICE()	RECOMM.(%) Lot.100	
1	7066-51043-136-42	HOUSING	1		3	
2	7066-71041-135	WHEEL ASSY(A.W.)	2		3	
3	7066-91086-113	TIRE	2		15	
4		WHEEL	2		-	
5		BEARING	4		-	
6		COLLAR	2		-	
7	7066-11142-122	ADJUSTER	2		3	
8	7066-64014-332	SHAFT	2		3	
9	7066-11102-221	HOLDER	2		3	
10	7066-11083-312	COLLAR	2		3	
11	7066-311L0850	HEXAGON BOLT	2		10	M8 ² 50
12	7066-68036-101	WASHER	2		3	
13						
14	7066-68036-112	WASHER	2		3	
15	7066-569L0800	FLANGE NYLON NUT	4		10	M8
16	7066-664V0016	WAVE SPRING WASHER	2		5	
17	7066-68036-101	WASHER	4		3	
18	7066-31057-181	HEXAGON BOLT	4		3	
19	7066-11150-101-09	ADJUST LEVER	2		5	
20	7066-36061-121	KNOB	4		3	
21	7066-71041-136	WHEEL ASSY(A.W.)	2		3	
22	7066-91086-113	TIRE	2		15	
23		WHEEL	2		-	
24		BEARING	4		-	
25	7066-11086-119	STOPPER	2		3	
26	7066-71122-101	ADJUSTER ASSY(L)	1		-	
27	7066-11142-104	ADJUSTER	1		3	



PARTS LIST

MODEL : SW5210-BAE4 (ISEKI)

46014-162

REF. No.	PARTS No.	PARTS NAME	AI-WHEEL		2/2	REMARKS
			Q'TY	PRICE()	RECOMM.(%) Lot.100	
28	7066-945L0349	BEARING	1		10	
29	7066-31057-132	HEXAGON BOLT	2		5	
30	7066-11150-102-09	ADJUST LEVER	2		5	
31	7066-71158-102	RATCHET ASSY(L)	1		-	
32	7066-11102-138	HOLDER	1		3	
33	7066-68013-266	SPRING	1		5	
34	7066-31034-170	PIN	2		3	
35	7066-61003-112	THRUST PLATE	2		10	
36	7066-31034-137	PIN	2		10	
37	7066-68036-146	WASHER	2		3	
38	7066-71122-102	ADJUSTER ASSY(R)	1		-	
39	7066-11142-105	ADJUSTER	1		3	
40	7066-945L0349	BEARING	1		10	
41	7066-71158-101	RATCHET ASSY(R)	1		3	
42	7066-11102-138	HOLDER	1		3	
43	7066-68013-266	SPRING	1		5	
44	7066-31034-170	PIN	2		3	
45	7066-64014-234	SHAFT	1		3	
46	7066-11113-292	STAY	1		3	
47	7066-36068-171-46	GUARD	1		3	
48	7066-342J0612	FLANGE BOLT TAPPING	2		3	M6 ² 12
49	7066-68013-336	SPRING	1		3	
50	7066-36065-298-09	COVER	1		3	
51	7066-71137-194	BOLT AND NUT SET	1		-	
52	7066-376L0508	(+)TRUSS SCREW	6		3	M5 ² +
53	7066-579L0500	FLANGE NUT	6		3	M5
54	7066-36006-113	ABSORBER	2		10	