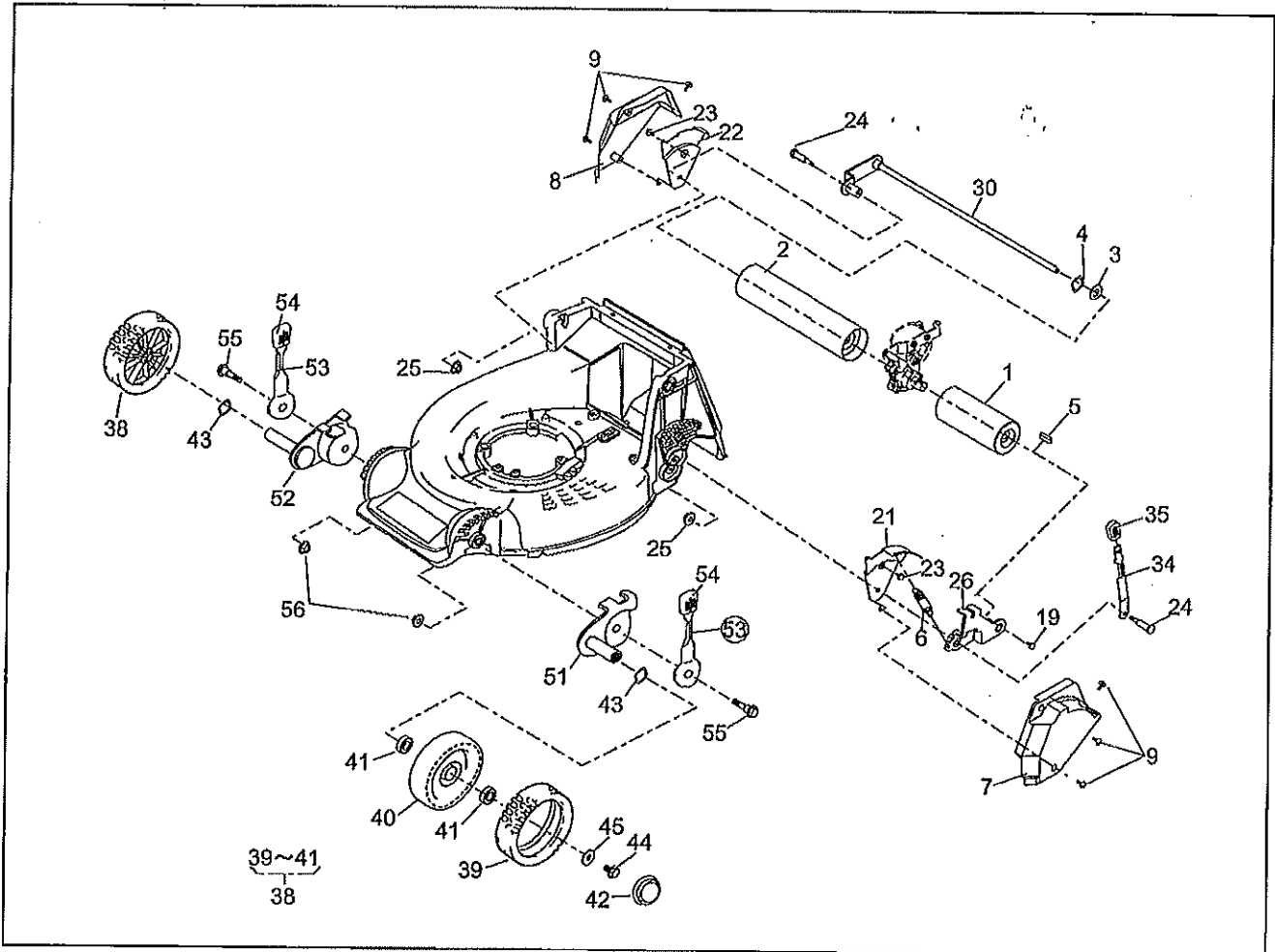


## PARTS LIST

46014-369-01

NOTE	REF. No.	PARTS No.	PARTS NAME	WHEEL		PRICE( )	2/2 RECOMM.(%) Lot.100	14. Apr. 2006 REMARKS
				Q'TY	INCLUDING			
	29							
	30	71122 102	ADJUSTER ASSY(RR)	1				
	31	11142 105	ADJUSTER	1				
	32	945L 0349	BEARING	1				
	33							
	34	11150 102 09	ADJUST LEVER(R)	2				
	35	36061 121	KNOB	2				
	36	31057 260	HEXAGON BOLT	2				
	37							
	38	71041 103	WHEEL ASSY(F)	2				
	39	91086 102	TIRE	2				
	40	36107 102	WHEEL	2				
	41	932L 0696	BEARING		4			
	42	36070 110	CAP	2				
	43	664V 0626	WAVE SPRING WASHER	2				
	44	31057 181	HEXAGON BOLT	2				
	45	68036 101	WASHER	2				
	46							
	47							
	48							
	49							
	50							
	51	11142 112	ADJUSTER(FL)	1				
	52	11142 113	ADJUSTER(FR)	1				
B	53	11150 101 09	ADJUST LEVER(F)	2				
	54	36061 121	KNOB	2				
	55	31057 260	HEXAGON BOLT	2				
	56	569L 0800	FLANGE NYLON NUT	2				



## PARTS LIST

46014-371-01

NOTE	REF. No.	PARTS No.	PARTS NAME	ROLLER		PRICE( )	RECOMM.(%) Lot.100	14. Apr. 2006	REMARKS
				Q'TY	INCLUDING				
	29								
	30	11142 121	ADJUSTER(RR)	1					
	31								
	32								
	33								
	34	11150 104 09	ADJUST LEVER(R)	1					
	35	36061 121	KNOB	1					
	36								
	37								
	38	71041 103	WHEEL ASSY	2					
	39	91086 102	TIRE	2					
	40	36107 102	WHEEL	2					
	41	932L 0696	BEARING		4				
	42	36070 110	CAP	2					
	43	664V 0626	WAVE SPRING WASHER	2					
	44	31057 181	HEXAGON BOLT	2					
	45	68036 101	WASHER	2					
	46								
	47								
	48								
	49								
	50								
	51	11142 112	ADJUSTER(FL)	1					
	52	11142 113	ADJUSTER(FR)	1					
B	53	11150 101 09	ADJUST LEVER(F)	2					
	54	36061 121	KNOB	2					
	55	31057 260	HEXAGON BOLT	2					
	56	569L 0800	FLANGE NYLON NUT	2					