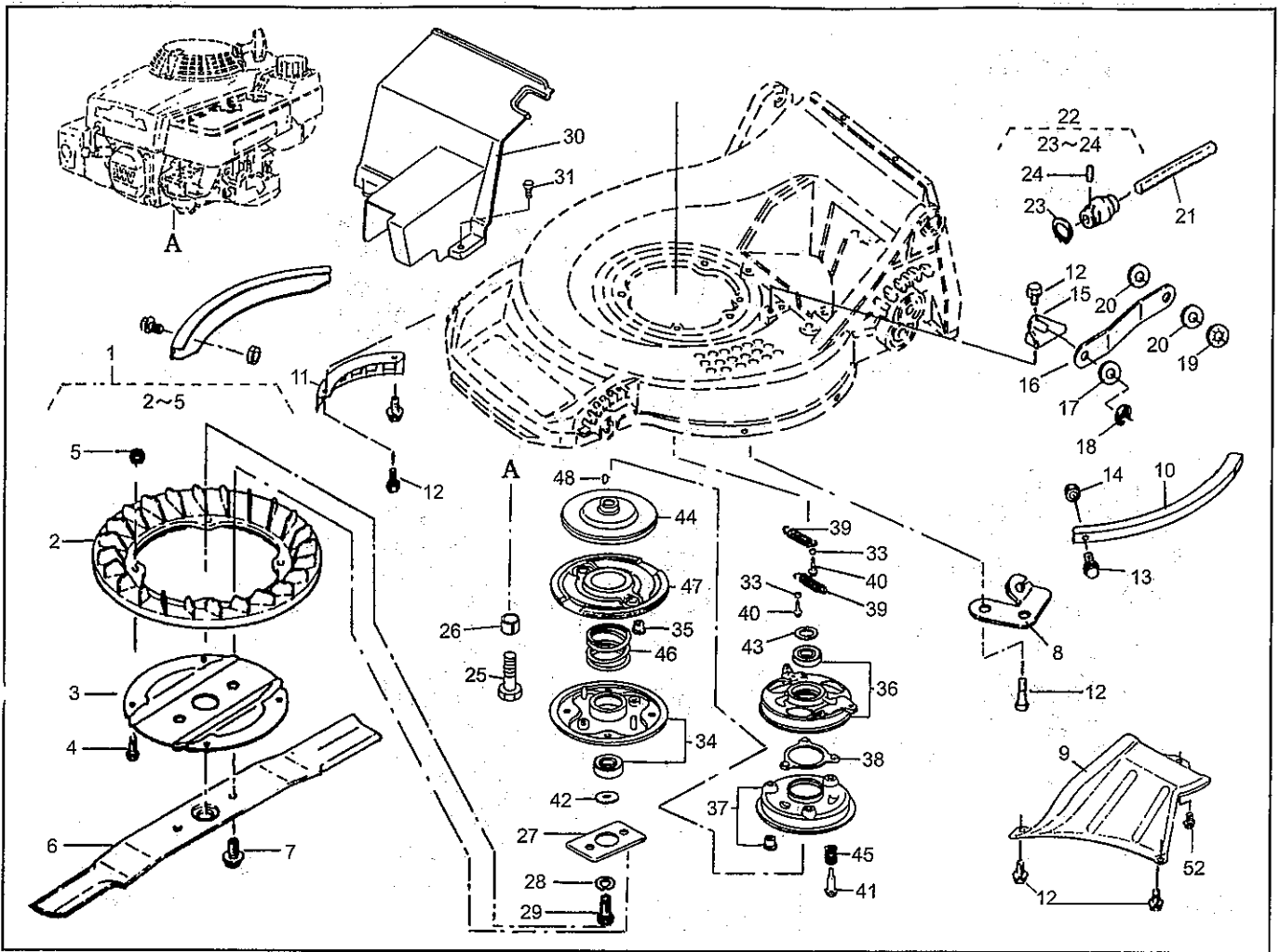


PARTS LIST

MODEL : LM5360HXR (KAAZ)

46014-164

REF. No.	PARTS No.	PARTS NAME	HANDLE		PRICE()	1/2	RECOMM.(%) Lot.100	REMARKS
			Q'TY	INCLUDING				
1	51027 242	HANDLE	1			3		
2	11113 396 09	STAY	1			5		
3	11095 160 09	LEVER	1			10		
4	11095 161 09	LEVER	1			10		
5	76007 131	BUSH	1			10		
6	61024 206	SPACER	1			5		
7	68013 334	SPRING	1			5		
8	68036 198	WASHER	1			3		
9	563L 0600	U-HEXAGON CAP NUT	1			5	M6	
10	11109 108	LINK	1			5		
11	61024 207	SPACER	1			10		
12	68013 335	SPRING	1			10		
13	68036 262	WASHER	1			5		
14	68036 200	WASHER	2			5		
15	569L 0800	FLANGE NYLON NUT	3			5	M8	
16	335L 0820	FLANGE BOLT	1			3	M8 x 20	
17	664J 1600	WAVE SPRING WASHER	3			3	M16	
18	71161 111 09	LEVER ASSY	1			-		
19		LEVER		1		-		
20	76007 131	BUSH		2		15		
21	91010 169	THROTTLE LEVER	1			10		
22	61003 113	THRUST PLATE	1			5		
23	68013 356	SPRING	1			3		
24	31058 168	HEXAGON NUT	1			3		
25	68036 125	WASHER	1			3		
26	318L 0612	(+)HEXAGON BOLT(SW)	1			3	M6 x 12	
27	71900 797	COVER ASSY	1			3		

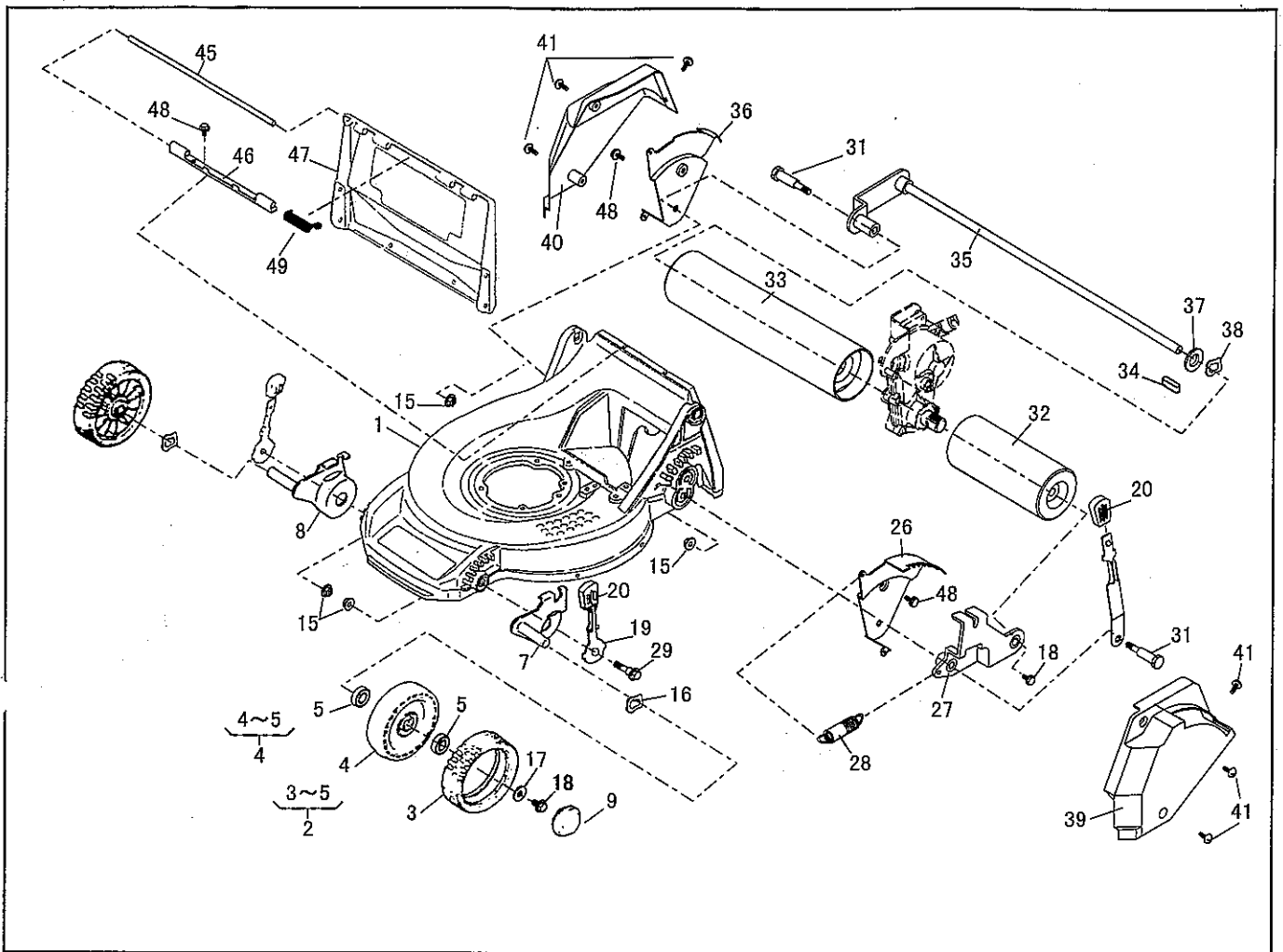


PARTS LIST

MODEL : LM5360HXR (KAAZ)

46014-164

REF. No.	PARTS No.		PARTS NAME	GRASS-CUTTING		1/2	RECOMM.(%) Lot.100	REMARKS
				Q'TY	PRICE()			
				INCLUDING				
1	71082	110	FAN ASSY	1			-	
2	51125	103	FAN	1			5	
3	11102	151	HOLDER	1			5	
4	335L	0620	FLANGE BOLT	4			5	M6 × 20
5	569L	0600	FLANGE NYLON NUT	4			5	M6
6	91014	159	BLADE	1			15	
7	31057	197	HEXAGON BOLT	2			15	
8	51002	118	WIRE HOLDER	1			3	
9	36065	300	COVER	1			10	
10	51090	117 09	PROTECTOR	2			5	
11	36065	180	COVER	1			3	
12	342J	0612	FLANGE BOLT TAPPING	8			3	M6 × 12
13	335L	0610	FLANGE BOLT	4			5	M6 × 10
14	512L	0600	HEXAGON NUT	4			3	M6
15	11006	113	STAY C.P.	1			5	
16	91049	117	CONNECTOR	1			5	
17	611L	1000	WASHER	1			3	M10
18	816V	0800	E-SNAP RING	1			5	φ 8
19	576V	1000	PUSH NUT	1			5	φ 10
20	68001	110	FIBER WASHER	2			5	
21	64014	261	SHAFT	1			3	
22	91097	101	UNIVERSAL JOINT	1			3	
23	812V	2000	C-SNAP RING FOR SHAFT	1			1	φ 20
24	717B	0418	PARALLEL PIN	1			5	φ 4 × 18
25	31057	243	HEXAGON BOLT	4			3	
26	61024	142	SPACER	3			3	
27	61024	169	SPACER	1			3	

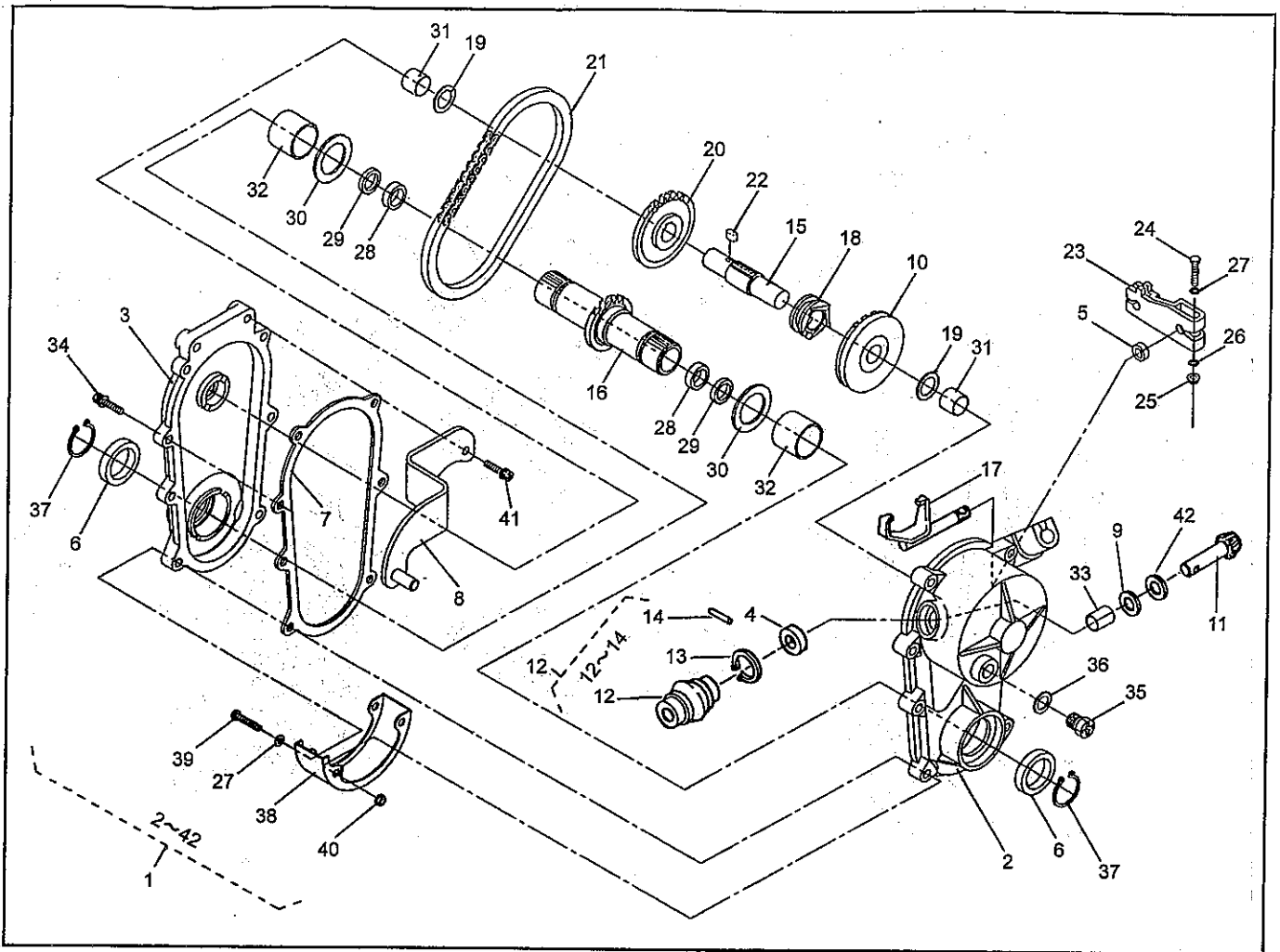


PARTS LIST

MODEL : LM5360HXR (KAAZ)

46014-164

REF. No.	PARTS No.			PARTS NAME	WHEEL / ROLLER			1/2	RECOMM.(%) Lot.100	REMARKS
					Q'TY	PRICE()				
1	51043	136	42	HOUSING	1			3		
2	71041	103		WHEEL ASSY	2			3		
3	91086	102		TIRE		2		15		
4	36107	102		WHEEL		2		3		
5	932L	0696		BEARING		4		5		
6										
7	11142	123		ADJUSTER(L)	2			5		
8	11142	124		ADJUSTER(R)	2			5		
9	36070	110		CAP	2			3		
10										
11										
12										
13										
14										
15	569L	0800		FLANGE NYLON NUT	4			10	M8	
16	664V	0626		WAVE SPRING WASHER	2			5		
17	68036	101		WASHER	2			3		
18	31057	181		HEXAGON BOLT	3			3		
19	11150	101	09	ADJUST LEVER	2			5		
20	36061	121		KNOB	3			3		
21										
22										
23										
24										
25										
26	11113	294		STAY(L)	1			3		
27	11142	110		ADJUSTER(L)	1			3		



PARTS LIST

MODEL : LM5360HXR (KAAZ)

46014-164

REF. No.	PARTS No.		PARTS NAME	GEAR CASE		PRICE()	1/2		REMARKS
				Q'TY			RECOMM.(%)		
				INCLUDING			Lot.100		
1	71008	269	GEAR CASE ASSY	1					
2	51001	243	GEAR CASE	1			3		
3	51001	244	GEAR CASE	1			3		
4	61002	161	OIL SEAL	1			5		SD 10 20 5
5	61002	162	OIL SEAL	1			5		SD 8 14 4
6	61002	188	OIL SEAL	2			5		SD 28 38 6
7	61019	189	PACKING	1			5		
8	11006	116	STAY C.P.	1			3		
9	61003	109	THRUST PLATE	1			3		
10	78001	136	BEVEL GEAR	1			3		
11	78003	111	PINION	1			3		
12	91097	101	UNIVERSAL JOINT	1			3		
13	812V	2000	C-SNAP RING FOR SHAFT		1		1		φ20
14	717B	0418	PARALLEL PIN		1		3		φ4×18
15	64014	242	SHAFT	1			3		
16	64014	243	SHAFT	1			3		
17	11097	106	SHIFTER FORK	1			3		
18	11129	107	CLUTCH	1			3		
19	61024	118	SPACER	2			3		
20	36112	115	SPROCKET	1			3		
21	91074	107	CHAIN	1			3		
22	91020	147	KEY	1			3		
23	11104	153	ARM	1			3		
24	311M	0630	(+)HEXAGON BOLT	1			3		M6×30
25	571L	0600	FLANGE NUT	1			3		M6
26	613L	0600	PLAIN WASHER	1			3		M6
27	611L	0600	PLAIN WASHER	3			3		M6