

This catalog covers:

TH023V- □ C50

This fig. covers:

PART NAME INDEX

| | |
|---------------------------|----|
| AIR-FILTER/MUFFLER..... | 06 |
| CARBURETOR..... | 05 |
| COOLING-EQUIPMENT..... | 03 |
| CYLINDER/CRANKCASE..... | 01 |
| ELECTRIC-EQUIPMENT..... | 04 |
| FUEL-TANK/FUEL-VALVE..... | 07 |
| LABEL..... | 09 |
| PISTON/CRANKSHAFT..... | 02 |
| STARTER..... | 08 |

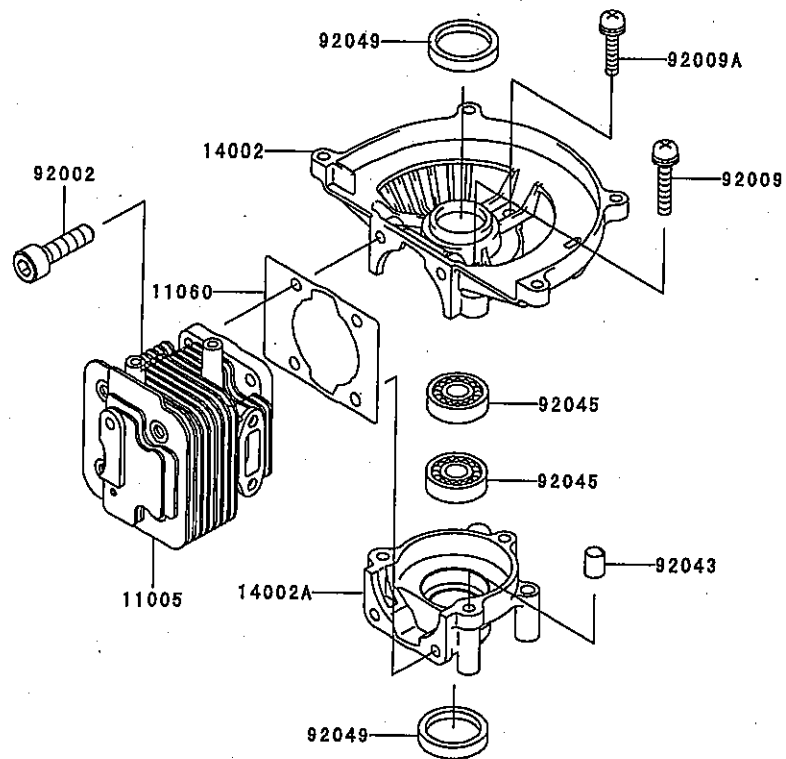
This catalog covers:
TH023V- □ C50

01

This fig. covers:
CYLINDER/CRANKCASE

E0110-A391A

| Ref. No. | Part No. | Description | Quantity |
|----------|------------|---------------------|----------|
| 11005 | 11005-2150 | CYLINDER-ENGINE | 1 |
| 11060 | 11060-2402 | GASKET,CYLINDER | 1 |
| 14002 | 14002-2349 | CRANKCASE | 1 |
| 14002A | 14002-2350 | CRANKCASE | 1 |
| 92002 | 92002-2163 | BOLT | 4 |
| 92009 | 92009-2115 | SCREW | 2 |
| 92009A | 92009-2235 | SCREW,5X25 | 1 |
| 92043 | 92043-1302 | PIN | 2 |
| 92045 | 92045-2060 | BEARING-BALL,6001V3 | 2 |
| 92049 | 92049-2108 | SEAL-OIL | 2 |



This catalog covers:

TH023V- □ C50

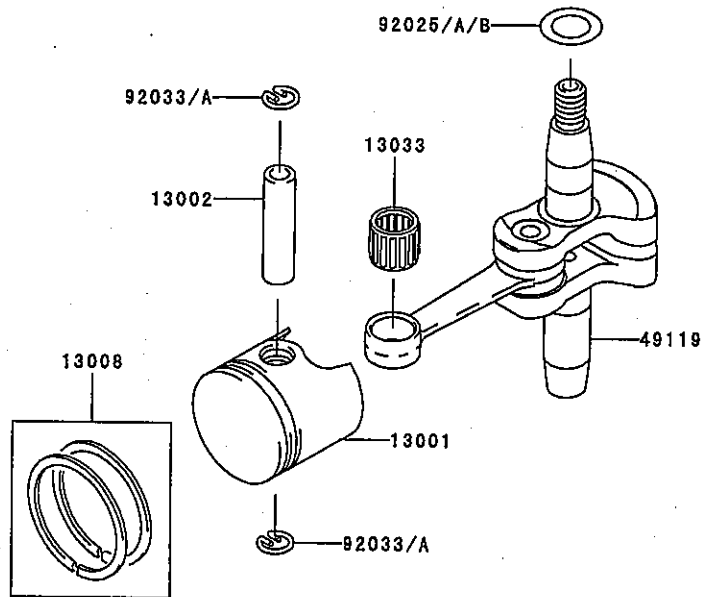
02

This fig. covers:

PISTON/CRANKSHAFT

E0120-A204B

| Ref. No. | Part No. | Description | Quantity |
|----------|------------|-------------------|----------|
| 13001 | 13001-2154 | PISTON-ENGINE | 1 |
| 13002 | 13002-2058 | PIN-PISTON | 1 |
| 13008 | 13008-6050 | RING-SET-PISTON | 1 |
| 13033 | 13033-2055 | BEARING-SMALL END | 1 |
| 49119 | 49119-2205 | CRANKSHAFT-ASSY | 1 |
| 92025 | 92025-2104 | SHIM,T=0.20 | AR |
| 92025A | 92025-2105 | SHIM,T=0.40 | AR |
| 92025B | 92025-2106 | SHIM,T=0.60 | AR |
| 92033 | 92033-2060 | RING-SNAP | * |
| 92033A | 92033-2191 | RING-SNAP | 2 |

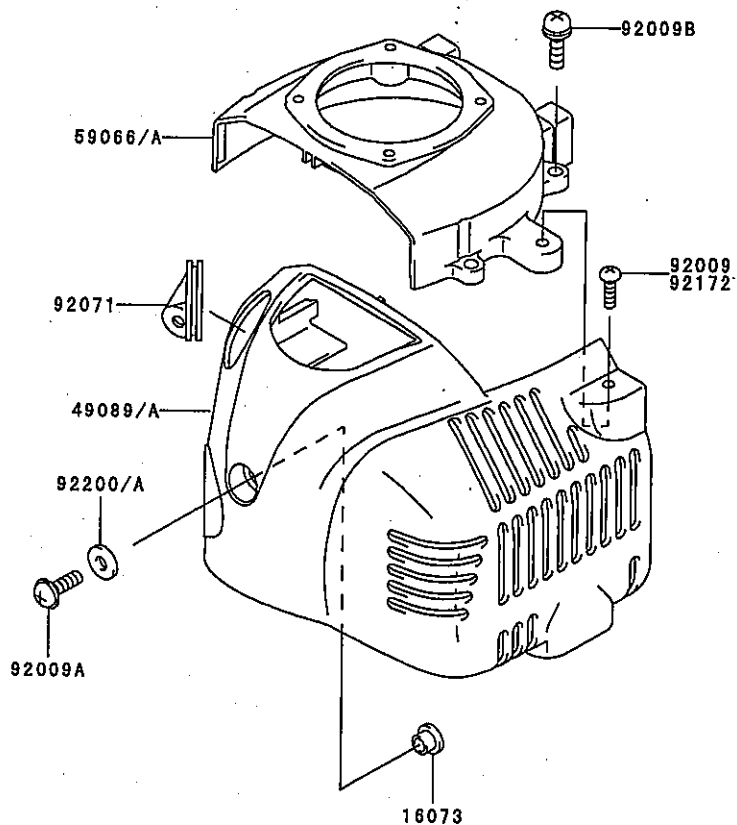


This catalog covers:
TH023V- □ C50

03 COOLING-EQUIPMENT

E0150-A459D

This fig. covers:



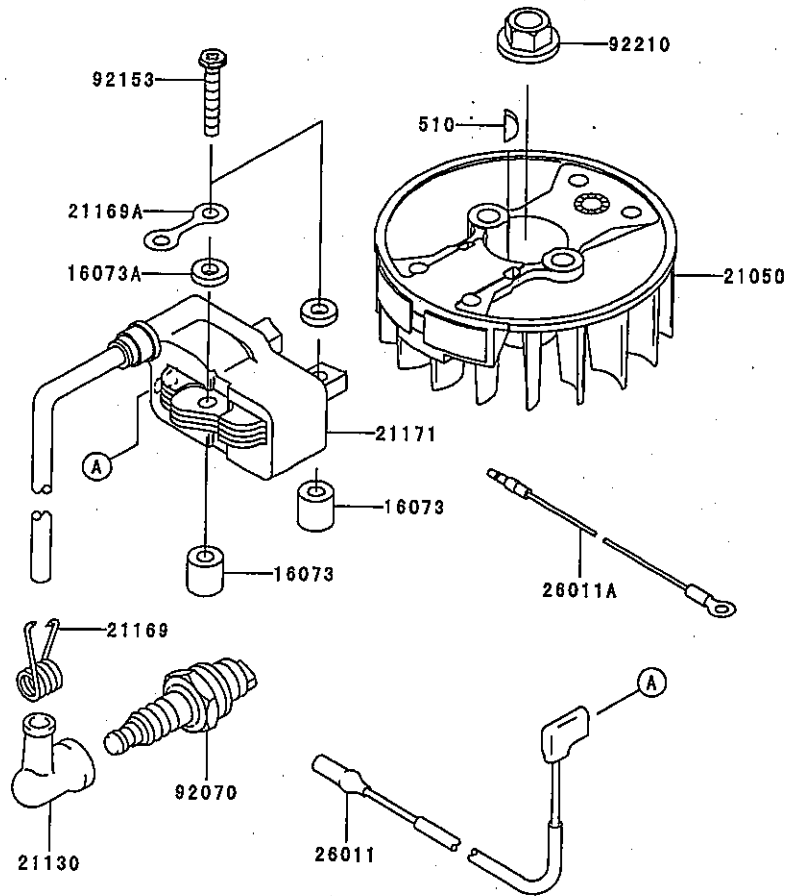
| Ref. No. | Part No. | Description | Quantity |
|----------|------------|---------------------|----------|
| 16073 | 16073-2197 | INSULATOR | 1 |
| 49089 | 49089-2552 | SHROUD-ENGINE | * |
| 49089A | 49089-2585 | SHROUD-ENGINE | 1 |
| 59066 | 59066-2763 | HOUSING-FAN | * |
| 59066A | 59066-2781 | HOUSING-FAN | 1 |
| 92009 | 92009-2236 | SCREW,4X14 | * |
| 92009A | 92009-2394 | SCREW,5X16 | 1 |
| 92009B | 92009-2395 | SCREW,5X16 | 4 |
| 92071 | 92071-2160 | GROMMET | 1 |
| 92172 | 92172-2061 | SCREW,4X14 | 1 |
| 92200 | 92200-2063 | WASHER,5.5X13.8X2.0 | * |
| 92200A | 92200-2156 | WASHER | 1 |

This catalog covers:
TH023V- □ C50

04

This fig. covers:
ELECTRIC-EQUIPMENT

E0160-A797A

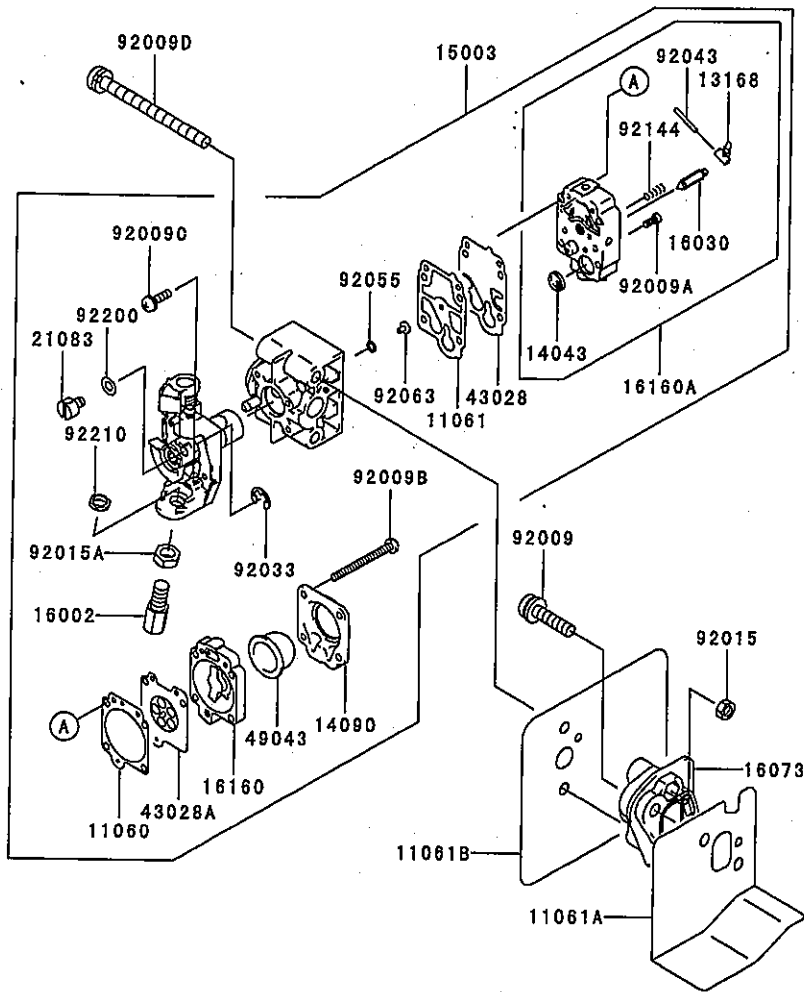


| Ref. No. | Part No. | Description | Quantity |
|----------|------------|------------------------------|----------|
| 16073 | 16073-2214 | INSULATOR | 2 |
| 16073A | 16073-2215 | INSULATOR | 2 |
| 21050 | 21050-2296 | FLYWHEEL | 1 |
| 21130 | 21130-2056 | CAP-SPARK PLUG | 1 |
| 21169 | 21169-2051 | TERMINAL | 1 |
| 21169A | 21169-2072 | TERMINAL | 1 |
| 21171 | 21171-2241 | COIL-ASSY-IGNITION | 1 |
| 26011 | 26011-2372 | WIRE-LEAD,X260 | 1 |
| 26011A | 26011-2373 | WIRE-LEAD,X130 | 1 |
| 92070 | 92070-2108 | PLUG-SPARK,BPMR6A(NGK),SOLID | 1 |
| 92153 | 92153-2069 | BOLT,04X25 | 2 |
| 92210 | 92210-2094 | NUT | 1 |
| 510 | 510A3100 | KEY-WOODRUFF | 1 |

This catalog covers:
TH023V- □ C50

05 CARBURETOR

E0180-A494A



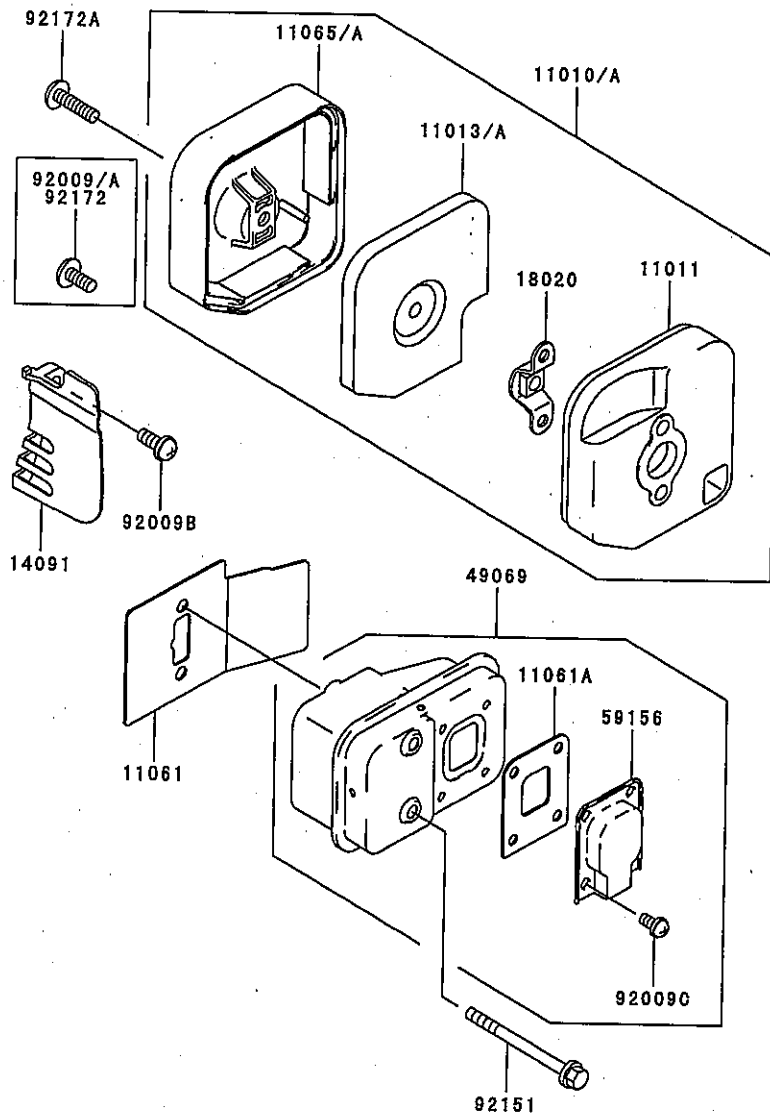
| Ref. No. | Part No. | Description | Quantity |
|----------|------------|-------------------|----------|
| | | | A |
| 11060 | 11060-2111 | GASKET | 1 |
| 11061 | 11061-2054 | GASKET | 1 |
| 11061A | 11061-2098 | GASKET | 1 |
| 11061B | 11061-2107 | GASKET,CARBURETOR | 1 |
| 13168 | 16055-2051 | LEVER | 1 |
| 14043 | 14043-2051 | FILTER | 1 |
| 14090 | 14090-2017 | COVER,PRIMER PUMP | 1 |
| 15003 | 15003-2807 | CARBURETOR-ASSY | 1 |
| 16002 | 16002-2058 | ADJUSTER-CABLE | 1 |
| 16030 | 16030-2078 | VALVE-FLOAT | 1 |
| 16073 | 16073-2190 | INSULATOR | 1 |
| 16160 | 16160-2089 | BODY | 1 |
| 16160A | 16160-2103 | BODY | 1 |
| 21083 | 21083-2073 | ARM | 1 |
| 43028 | 43028-2067 | DIAPHRAGM | 1 |
| 43028A | 43028-2090 | DIAPHRAGM | 1 |
| 49043 | 49043-2067 | PUMP-PRIMING | 1 |
| 92009 | 92009-2249 | SCREW,5X20 | 2 |
| 92009A | 92009-2336 | SCREW | 1 |
| 92009B | 92009-2337 | SCREW | 4 |
| 92009C | 92009-2373 | SCREW | 2 |
| 92009D | 92009-2398 | SCREW,5X60 | 2 |
| 92015 | 92015-2097 | NUT,M5 | 2 |
| 92015A | 92015-2145 | NUT | 1 |
| 92033 | 92033-2078 | RING-SNAP | 1 |
| 92043 | 92043-2094 | PIN | 1 |
| 92055 | 92055-2147 | RING-O | 1 |
| 92063 | 92063-2425 | JET-MAIN,#32.5 | 1 |
| 92144 | 92144-2308 | SPRING | 1 |
| 92200 | 92200-2074 | WASHER | 1 |
| 92210 | 92210-2089 | NUT | 1 |

This catalog covers:
TH023V- □ C50

06

This fig. covers:
AIR-FILTER/MUFFLER

E0190-A730A



| Ref. No. | Part No. | Description | Quantity |
|----------|------------|----------------------|----------|
| 11010 | 11010-2553 | FILTER-ASSY-AIR | 1 |
| 11010A | 11010-2572 | FILTER-ASSY-AIR | 1 |
| 11011 | 11011-2332 | CASE-AIR FILTER | 1 |
| 11013 | 11013-2193 | ELEMENT-AIR FILTER | * |
| 11013A | 11013-2208 | ELEMENT-AIR FILTER | 1 |
| 11061 | 11061-2082 | GASKET,MUFFLER | 1 |
| 11061A | 11061-2083 | GASKET | 1 |
| 11065 | 11065-2102 | CAP | 1 |
| 11065A | 11065-2114 | CAP | 1 |
| 14091 | 14091-2088 | TH023-167460 - COVER | 1 |
| 18020 | 18020-2082 | BAFFLE | 1 |
| 49069 | 49069-2369 | MUFFLER-ASSY | 1 |
| 59156 | 59156-2285 | PIPE-TAIL | 1 |
| 92009 | 92009-1002 | SCREW,5X10 | * |
| 92009A | 92009-1182 | SCREW | * |
| 92009B | 92009-2393 | SCREW,5X12 | 1 |
| 92009C | 92009-2446 | SCREW | 4 |
| 92151 | 92151-2074 | BOLT,5X55 | 2 |
| 92172 | 92172-0008 | SCREW | 1 |
| 92172A | 92172-2081 | SCREW,5X20 | 1 |
| | (| TH023-167459) | |
| | (| TH023-167460 - | |
| |) |) | |

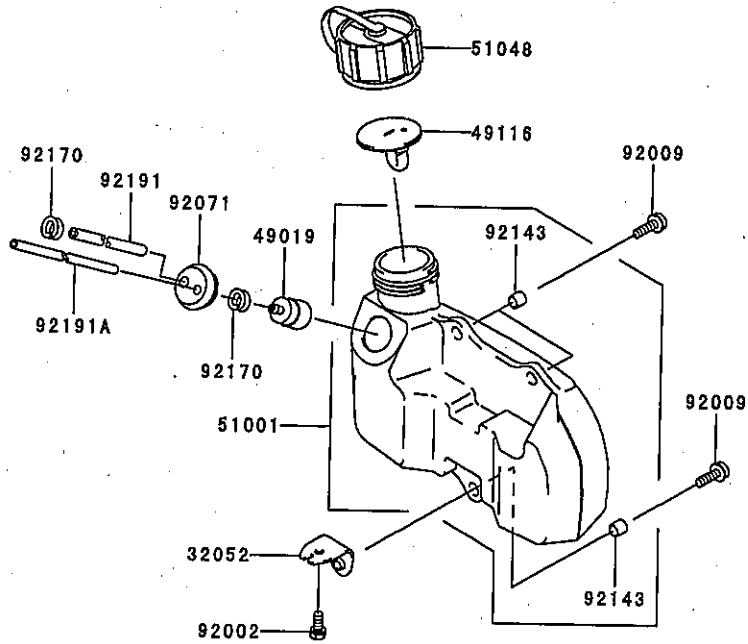
This catalog covers:
TH023V- □ C50

07

This fig. covers:
FUEL-TANK/FUEL-VALVE

E0200-A377A

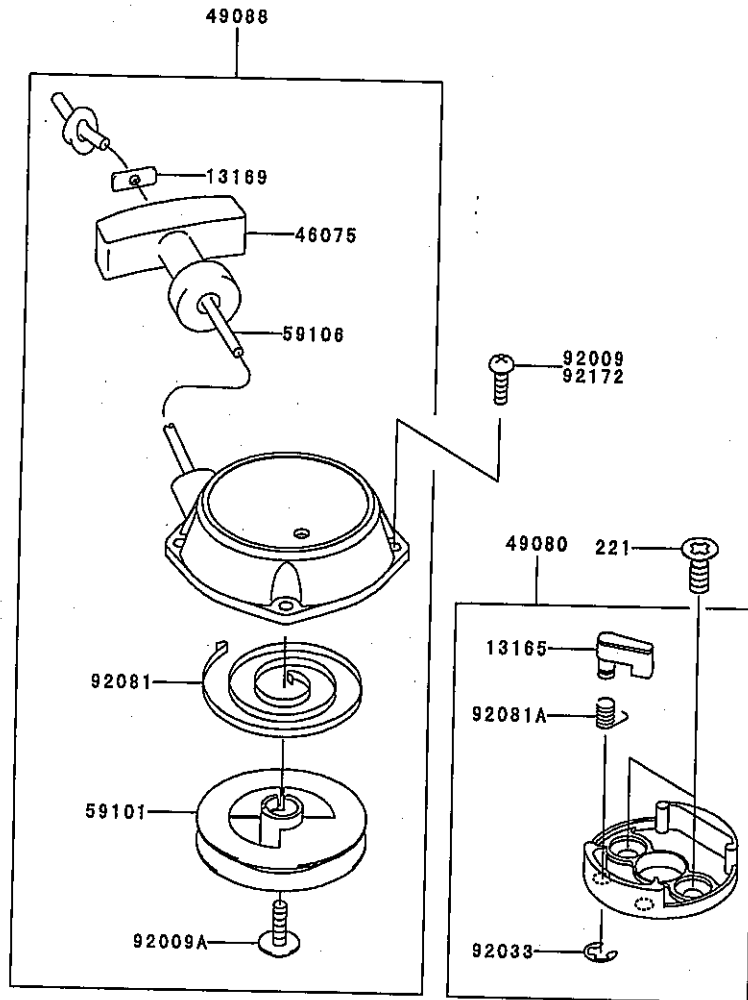
| Ref. No. | Part No. | Description | Quantity |
|----------|------------|-------------------|----------|
| 32052 | 32052-2228 | BRACKET-TANK | 1 |
| 49019 | 49019-2111 | FILTER-FUEL | 1 |
| 49116 | 49116-2064 | VALVE-ASSY | 1 |
| 51001 | 51001-2310 | TANK-COMP-FUEL | 1 |
| 51048 | 51048-2078 | CAP-ASSY-TANK | 1 |
| 92002 | 92002-2313 | BOLT | 1 |
| 92009 | 92009-2368 | SCREW,5X16 | 3 |
| 92071 | 92071-2142 | GROMMET,FUEL TANK | 1 |
| 92143 | 92143-2161 | COLLAR,TANK | 3 |
| 92170 | 92170-2080 | CLAMP,FUEL FILTER | 2 |
| 92191 | 92191-2154 | TUBE | 1 |
| 92191A | 92191-2155 | TUBE | 1 |



This catalog covers:
TH023V- □ C50

08 This fig. covers:
STARTER

E0210-A259B



| Ref. No. | Part No. | Description | Quantity |
|----------|------------|-----------------------|----------|
| | | A | |
| 13165 | 13165-2052 | PAWL | 1 |
| 13169 | 13169-2386 | PLATE, RECOIL STARTER | 1 |
| 46075 | 46075-2116 | GRIP, RECOIL STARTER | 1 |
| 49080 | 49080-2099 | PULLEY-STARTING | 1 |
| 49088 | 49088-2515 | STARTER-RECOIL | 1 |
| 59101 | 59101-2106 | REEL, RECOIL STARTER | 1 |
| 59106 | 59106-2147 | ROPE, 3.5X800 | 1 |
| 92009 | 92009-2236 | SCREW, 4X14 | 1 |
| 92009A | 92009-2358 | SCREW | 1 |
| 92033 | 92033-2010 | RING-SNAP | 1 |
| 92081 | 92081-2238 | SPRING, RECOIL | 1 |
| 92081A | 92081-2253 | SPRING | 1 |
| 92172 | 92172-2061 | SCREW, 4X14 | 4 |
| 221 | 221B0616 | SCREW-CSK-CROS | 2 |

This catalog covers:
TH023V- □ C50

09

This fig. covers:
LABEL

F0290-A960A

| Ref. No. | Part No. | Description | Quantity |
|----------|------------|---------------|----------|
| 56039 | 56039-2908 | LABEL-PRODUCT | 1 |
| 56070 | 56070-2020 | LABEL-WARNING | 1 |
| 56080 | 56080-2088 | LABEL-BRAND | 1 |

