



PARTS CATALOGUE NEWS

Honda Motor Co., Ltd. Service Division

PARTS CATALOGUE - CORRECTED

Printed in Japan

February 05, 2006

CODE NO.	BOOKLET TYPE	13Z4P601
	MICRO-FICHE	13Z4P6EA/FA
PARTS CATALOGUE TITLE	GXV160UH2	
NEWS NO.	001	

Block No.	Ref. No.	Note	Part No.	Description	Reqd. QTY	Serial No.	Parts catalogue code			
					GXY 160 UH2					
E-14	3	L	16013-ZE0-005	FLOAT SET	1	----- BE66J A	A1S, A1SA, A14, N1, N1F, N15, N4, N45, N55, SFL, SFL1, SFY, SFY1, T1AH			
				(CARBURETOR NO.)				1	----- BE66M A	N5M
		D		16013-Z0S-B01	1	BE66N A			
		8	L	16045-ZE7-005	CHOKE SET	1	----- BE66J A	A1S, A1SA, A14, N1, N1F, N15, N4, N45, N55, SFL, SFL1, SFY, SFY1, T1AH		
	(CARBURETOR NO.)				1				----- BE66M A	N5M
		D		16044-ZE0-005	1	BE66N A			
		11	L	16166-Z1V-J71	NOZZLE, MAIN	1	----- BE66M A	N5M		
	(CARBURETOR NO.)				1				----- BE66J A	A1S, A1SA, A14, N1, N1F, N15, N4, N45, N55, SFL, SFL1, SFY, SFY1, T1AH
					L				16166-Z1V-003
		D		16166-Z1V-801	1	BE66N A			

NOTE A:PART NO. CHANGE D:NEWLY PROVIDED E:PART NO. DELETION K:REQUIRED, NO. CORRECTION L:APPLICATION SERIAL NO. CORRECTION
T:APPLICATION CORRECTION Z:REMARKS CHANGE

PARTS CATALOGUE NEWS

Block No.	Ref. No.	Note	Part No.	Description	Reqd. QTY	Serial No.	Parts catalogue code
					GXY 160 UH2		
	21	L	99101-ZH8-0600	JET, MAIN, #60 (CARBURETOR NO.)	(1)	----- BE66J A	A1S, A1SA, A14, N1, N1F, N15, N4, N45, N55, SFL, SFL1, SFY, SFY1, T1AH
		K	99101-ZH8-0650	JET, MAIN, #65 (CARBURETOR NO.)	1	----- BE66J A	A1S, A1SA, A14, N1, N1F, N15, N4, N45, N55, SFL, SFL1, SFY, SFY1, T1AH
				(CARBURETOR NO.)	(1)	-----	N5M
				(CARBURETOR NO.)	(1)	BE66N A	A1S, A1SA, A14, N1, N1F, N15, N4, N45, N55, SFL, SFL1, SFY, SFY1, T1AH
		D	99101-ZH8-0680	JET, MAIN, #68 (CARBURETOR NO.)	1	BE66N A	A1S, A1SA, A14, N1, N1F, N15, N4, N45, N55, SFL, SFL1, SFY, SFY1, T1AH

NOTE A:PART NO. CHANGE D:NEWLY PROVIDED E:PART NO. DELETION K:REQUIRED NO. CORRECTION L:APPLICATION SERIAL NO. CORRECTION
T:APPLICATION CORRECTION Z:REMARKS CHANGE



PARTS CATALOGUE NEWS

Honda Motor Co., Ltd. Service Division

PARTS CATALOGUE - CORRECTED

Printed in Japan

CODE NO.	BOOKLET TYPE	13Z4P601
	MICRO-FICHE	13Z4P6EA/FA
PARTS CATALOGUE NEWS	GXV160UH2	
NEWS NO.	002	

Block No.	Ref. No.	Note	Part No.	Description	Reqd. QTY	Serial No.	Parts catalogue code
					GXY 160 UH2		
E-3	1	E	11300-Z1V-U90	*PARTS NO. DELETION			
		E	11300-Z1V-V50	*PARTS NO. DELETION			
		E	11300-Z1V-000	*PARTS NO. DELETION			
		D	11300-Z1V-406	PAN ASSY., OIL	1	-----	A1S, A1SA, A14, N1, N1F, N15, N4, N45, N55, T1AH
		D	11300-Z1V-408	1	-----	N5M
		D	11300-Z1V-409	1	-----	SFY
	2	E	11300-Z1V-800	*PARTS NO. DELETION			
	D	11300-Z1V-407	PAN ASSY., OIL	1	-----	SFL, SFL1, SFY1	

NOTE A:PART NO. CHANGE D:NEWLY PROVIDED E:PART NO. DELETION K:REQUIRED, NO. CORRECTION L:APPLICATION SERIAL NO. CORRECTION
T:APPLICATION CORRECTION Z:REMARKS CHANGE

September 10, 2006



PARTS CATALOGUE NEWS

Honda Motor Co., Ltd. Service Division

PARTS CATALOGUE - CORRECTED

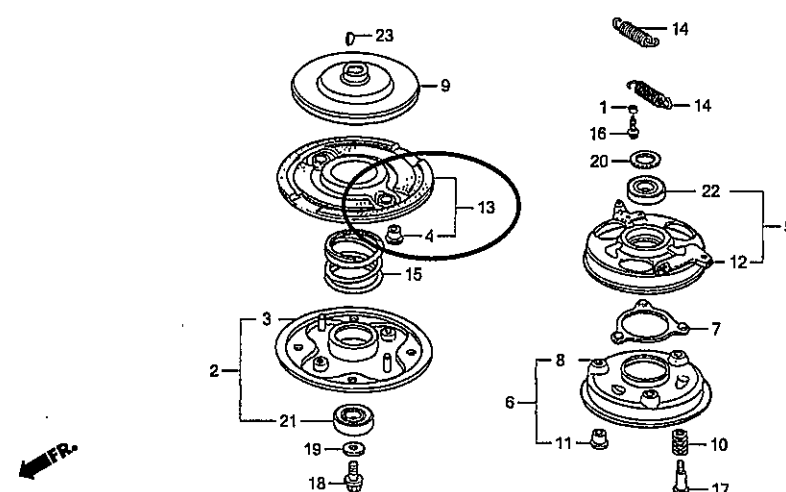
Printed in Japan

CODE NO.	BOOKLET TYPE	13Z4P601
	MICRO-FICHE	13Z4P6EA/FA
PARTS CATALOGUE NEWS	GXV160UH2	
NEWS NO.	003	

Block No.	Ref. No.	Note	Part No.	Description	Reqd. QTY	Serial No.	Parts catalogue code
					GXV 160 UH2		

E-40 BLADE HOLDER

ILLUSTRATION CORRECTED



NOTE A:PART NO. CHANGE D:NEWLY PROVIDED E:PART NO. DELETION K:REQUIRED NO. CORRECTION L:APPLICATION SERIAL NO. CORRECTION
T:APPLICATION CORRECTION Z:REMARKS CHANGE

October 05, 2006



PARTS CATALOGUE NEWS

Honda Motor Co., Ltd. Service Division

CODE NO.	BOOKLET TYPE	13Z4P601
	MICRO-FICHE	13Z4P6EA/FA
PARTS CATALOGUE NEWS	GXV160UH2	
NEWS NO.	004	

Printed in Japan

GXV160UH2-A1AS, A1T, A12, N1AH and N12 TYPES sales parts information

NOTE: This Parts Catalogue News explains only the parts of the different model that are produced to conform to addition of the GXV160UH2-A1AS, A1T, A12, N1AH and N12 types.

As for the parts not listed on this Parts Catalogue News, use the parts of the GXV160UH2-A1S, N1 and N1F types.

• Models, parts catalogue codes and applicable serial numbers

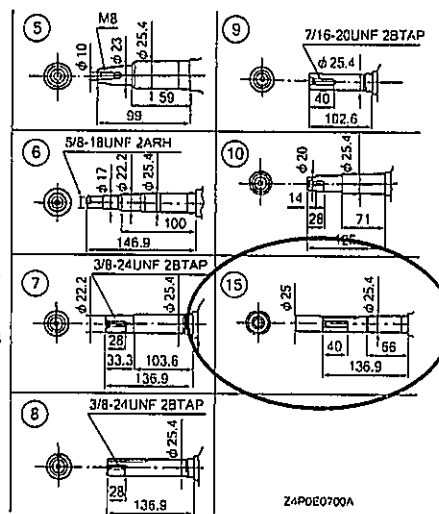
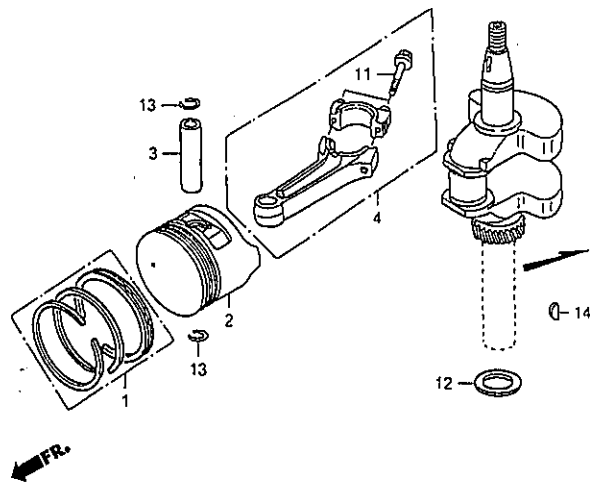
Model	Type		Parts catalogue type	Applicable engine serial No.	Applicable carburetor identification No.
GXV160UH2	A1S	Base type	A1S	GJABH-1000001~	BE66J A
	A1AS	Additional type	A1AS		BE66N A
	A1T		A1T		
	A12		A12		
	N1F	Base type	N1F		BE66J A
	N1AH	Additional type	N1AH		BE66N A
	N1	Base type	N1		BE66J A
	N12	Additional type	N12		BE66N A

• Features of each type		Base type	Additional type	Base type	Additional type	Base type	Additional type	Base type	Additional type	Base type	Additional type
Specifications	Model	GXV160UH2									
	Type	A1S	A1AS	A1S	A1T	A1S	A12	N1F	N1AH	N1	N12
Crankshaft	22.2mmØ Straight	•	•	•		•	•	•	•	•	•
	25.4mmØ Straight (Flat key-way)										
	25.4mmØ Straight										
	20mmØ Steped thread										
	5/8" Stepped thread										
	M8 Tapered										
	25mm Ø Straight				•						
Flywheel brake		•	•	•	•	•	•				

Block No.	Ref. No.	Part No.	Description	Reqd. QTY	Base Part No.	Parts catalogue code
				GXV 160 UH2		
E-2	3	12200-ZE7-405	HEAD COMP., CYLINDER	1	12210-Z1V-000	
	8	90014-952-000	BOLT, FLANGE, 6X14(CT200) ...	3	90013-883-000	

E-7 CRANKSHAFT/PISTON

Ref. No.	(Relative ref. Number)	Description	FRT
5	(6, 7, 8, 9, 10, 15)	1101FO CRANKSHAFT	1.1

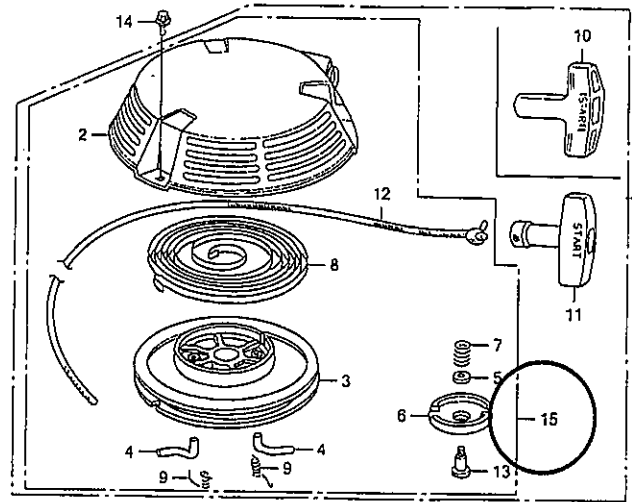


E-7	1	13010-Z4K-004	RING SET, PISTON (STD.) (TEIKOKU)	1	13010-ZL0-003	
		13010-Z4P-003	RING SET, PISTON (STD.) (RIKEN)	1	13010-ZL0-004	
		13011-Z4K-004	RING SET, PISTON (0.25) (TEIKOKU)	(1)	13011-ZL0-003	
		13011-Z4P-003	RING SET, PISTON (0.25) (RIKEN)	(1)	13011-ZL0-004	
		13012-Z4K-004	RING SET, PISTON (0.50) (TEIKOKU)	(1)	13012-ZL0-003	
		13012-Z4P-003	RING SET, PISTON (0.50) (RIKEN)	(1)	13012-ZL0-004	
		13013-Z4K-004	RING SET, PISTON (0.75) (TEIKOKU)	(1)	13013-ZL0-003	
		13013-Z4P-003	RING SET, PISTON (0.75) (RIKEN)	(1)	13013-ZL0-004	

Block No.	Ref. No.	Part No.	Description	Reqd. QTY		Base Part No.	Parts catalogue code
				GVX 160 UH2			
	2	13101-Z1T-010	PISTON (STD.) (JIALING-HONDA)	1		13101-Z1T-000	
		13102-ZH8-020	PISTON (0.25)	(1)		13102-ZE7-020	
		13103-ZH8-020	PISTON (0.50)	(1)		13103-ZE7-020	
		13104-ZH8-020	PISTON (0.75)	(1)		13104-ZE7-020	
	7		CRANKSHAFT COMP.	0		13310-ZE7-010	A1T
	15	13310-ZE7-V10	CRANKSHAFT COMP.	1			A1T

E-11 RECOIL STARTER

Ref. No.	(Relative ref. Number)	Description	FRT
1	(15)		
1121B9		STARTER, RECOIL	0.1



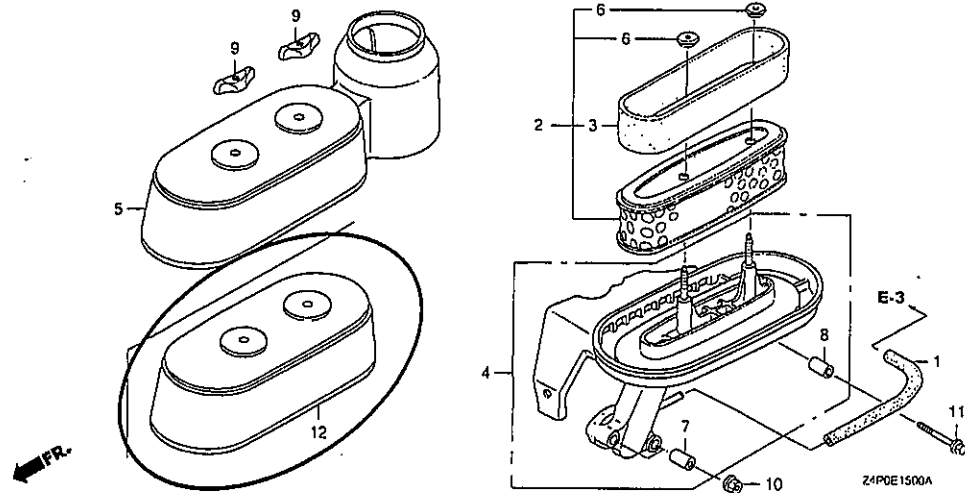
Z4POE1100A

E-11	1	STARTER ASSY., RECOIL (LONG ROPE)		28400-Z1V-801ZA	
		NH1 BLACK	0		A1T
		R280 POWER RED	0	28400-Z1V-801ZB	A1T
		28400-Z1V-801ZB		28400-Z1V-003ZB	N12
	10	28461-ZE1-003	1		N12
	11	GRIP, STARTER	0	28461-ZH8-003	N12

Block No.	Ref. No.	Part No.	Description	Reqd. QTY	Base Part No.	Parts catalogue code
				GVV 160 UH2		
	12	28462-Z1V-801	ROPE, RECOIL STARTER (LONG) (2360MM)	1	28462-ZH8-003	N12
	15	28400-Z1V-J52ZA	STARTER ASSY., RECOIL (LONG ROPE)			
		R280.....	POWER RED	1		A1T
		28400-Z1V-J52ZB	*NH1*.....	1		A1T
E-12	2	30500-Z1V-013	COIL ASSY., IGNITION	1	30500-Z1V-003	
E-14	9	16100-Z1V-801	CARBURETOR ASSY. (BE66N A) ...	1	16100-Z1V-003	

E-15 AIR CLEANER

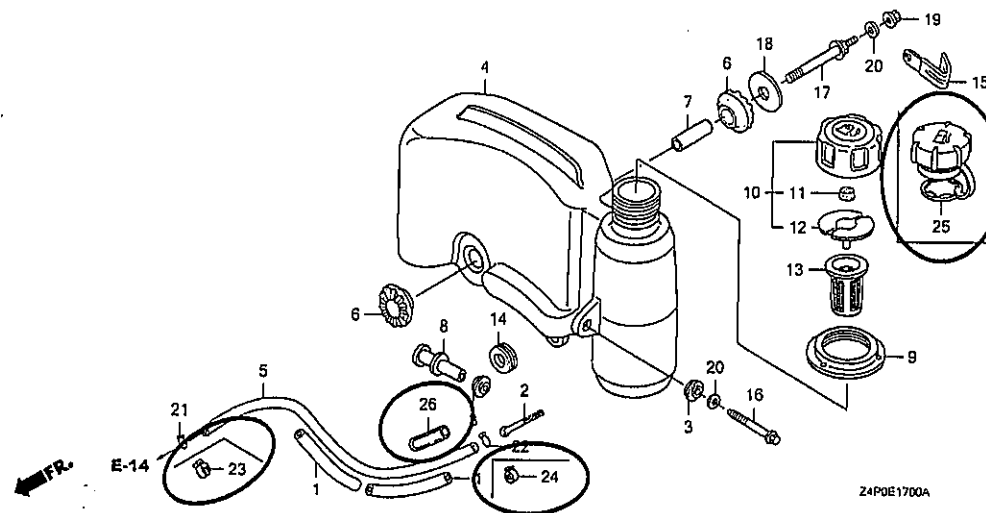
Ref. No.	(Relative ref. Number)	Description	FRT
5	(12)	COVER, AIR CLEANER	0.1



E-15	5	COVER, AIR CLEANER	0	17231-Z1V-000
	12	17231-Z1V-600	COVER, AIR CLEANER	1

Block No.	Ref. No.	Part No.	Description	Reqd. QTY	Base Part No.	Parts catalogue code
				CXY 160 U/2		

E-17 FUEL TANK



Z4P0E1700A

E-17	1	16854-ZH8-000	RUBBER, SUPPORTER (107MM)	1	16854-ZH8-000
	4	17510-Z4P-000	TANK COMP., FUEL	1	17510-Z1V-010
	5	17512-Z4P-013	TUBE, FUEL (FKM)	1	17512-ZE7-000
	9		RUBBER, TANK MOUNTING	0	17532-Z1V-000
	10		CAP ASSY., FUEL TANK	0	17620-Z1V-000
	11		SPONGE, FUEL CAP BREATHER	0	17622-888-010
	12		PACKING, FUEL CAP	0	17624-ZE7-000
	21		CLIP, TUBE (B8)	0	95002-02080
	22		CLIP, TUBE (C11)	0	95002-70000
	23	95002-40800-08	CLAMP, TUBE (D8)	1	
	24	95002-41050-08	CLAMP, TUBE (D10.5)	1	
	25	17620-Z0J-800	CAP ASSY., FUEL TANK	1	

Block No.	Ref. No.	Part No.	Description	Reqd. QTY	Base Part No.	Parts catalogue code
				GXV 160 UH2		
	26	95003-25003-20	TUBE, VINYL, 9X11X30 (95003-25001-10M)	1		
E-22	2	16551-ZE7-000	ARM, GOVERNOR	1	A1AS, A1T, A12, N1AH	
	3	16555-ZE7-000	ROD, GOVERNOR	1	A1AS, A1T, A12, N1AH	
	4	16561-ZE7-020	SPRING, GOVERNOR	1	A1AS, A1T, A12, N1AH	
	5	16562-ZE6-000	SPRING, THROTTLE RETURN	1	A1AS, A1T, A12, N1AH	
	7	16570-ZE7-020	CONTROL ASSY.	1	A1AS, A1T, A12, N1AH	
	8	16573-ZE7-000	ROD, CHOKE	1	A1AS, A1T, A12, N1AH	
	9	16576-ZE7-300	SPRING, LEVER	1	A1AS, A1T, A12, N1AH	
	10	16576-891-000	HOLDER, CABLE	1	A1AS, A1T, A12, N1AH	
	11	16584-883-300	SPRING, CONTROL ADJUSTING	2	A1AS, A1T, A12, N1AH	
	12	16585-ZE7-000	PROTECTOR, CONTROL	1	A1AS, A1T, A12, N1AH	
	14	36100-ZE7-013	SWITCH ASSY., ENGINE STOP	1	N1AH	
	15	36101-ZE7-020	CORD, STOP SWITCH	1	N1AH	
	16	36103-ZE1-000	HOLDER, STOP SWITCH CORD (NIFCO)	1	N1AH	
	17	46392-SC2-003	CLAMP, BRAKE PIPE (GRAY)	1	N1AH	
	18	90013-883-000	BOLT, FLANGE, 6X12(CT200)	2	A1AS, A1T, A12, N1AH	
	19	90015-ZE5-010	BOLT, GOVERNOR ARM	1	A1AS, A1T, A12, N1AH	
	21	90659-680-013	CLIP, WIRE HARNESS	1	A1AS, A1T, A12, N1AH	
	22	93500-04008-0A	SCREW, PAN, 4X8	1	N1AH	
	23	93500-05016-0A	SCREW, PAN, 5X16	1	A1AS, A1T, A12, N1AH	
	24	93500-05020-0A	SCREW, PAN, 5X20	1	A1AS, A1T, A12, N1AH	
	25	93500-05028-0A	SCREW, PAN, 5X28	1	A1AS, A1T, A12, N1AH	
	26	94050-06000	NUT, FLANGE, 6MM	1	A1AS, A1T, A12, N1AH	

BOOKNo. : 13Z4P601

PARTS CATALOGUE NEWS

Block No.	Ref. No.	Part No.	Description	Reqd. QTY	Base Part No.	Parts catalogue code
				GXY 160 UH2		
	27	95701-06010-00	BOLT, FLANGE, 6X10	2		A1AS, A1T, A12, N1AH
E-22-1	1		CONTROL ASSY. (EN) (STD.)	0	16500-ZE7-W11	N1AH
	2		ARM, GOVERNOR	0	16551-ZE7-000	A1AS, A1T, A12, N1AH
	3		ROD, GOVERNOR	0	16555-ZE7-000	A1AS, A1T, A12, N1AH
	4		SPRING, GOVERNOR	0	16561-ZE7-020	A1AS, A1T, A12, N1AH
	5		SPRING, THROTTLE RETURN	0	16562-ZE6-000	A1AS, A1T, A12, N1AH
	6		CONTROL COMP. (STD.)	0	16570-ZE7-W00	N1AH
			CONTROL COMP. (EN) (BRILL)	0	16570-ZE7-W20	A1AS, A1T, A12
	7		ROD, CHOKE	0	16573-ZE7-000	A1AS, A1T, A12, N1AH
	8		SPRING, LEVER	0	16576-ZE7-300	A1AS, A1T, A12, N1AH
	9		HOLDER, CABLE	0	16576-891-000	A1AS, A1T, A12, N1AH
	10		SPRING, CONTROL ADJUSTING	0	16584-883-300	A1AS, A1T, A12, N1AH
	11		PROTECTOR, CONTROL	0	16585-ZE7-000	A1AS, A1T, A12, N1AH
	12		COLLAR, STOPPER	0	16599-ZG1-M10	A1AS, A1T, A12, N1AH
	13		SWITCH ASSY., ENGINE STOP	0	36100-ZE7-013	N1AH
	14		CORD, STOP SWITCH	0	36101-ZE7-020	N1AH
	15		HOLDER, STOP SWITCH CORD (NIFCO)	0	36103-ZE1-000	N1AH
	16		CLAMP, BRAKE PIPE (GRAY)	0	46392-SC2-003	N1AH
	17		BOLT, FLANGE, 6X12(CT200)	0	90013-883-000	A1AS, A1T, A12, N1AH
	18		BOLT, GOVERNOR ARM	0	90015-ZE5-010	A1AS, A1T, A12, N1AH
	19		SCREW, RECESSED, 5X28	0	90016-ZE7-W00	A1AS, A1T, A12, N1AH
	20		CLIP, WIRE HARNESS	0	90659-680-013	A1AS, A1T, A12, N1AH
	21		SCREW, PAN, 4X8	0	93500-04008-0A	N1AH
	22		SCREW, PAN, 5X16	0	93500-05016-0A	A1AS, A1T, A12, N1AH

PARTS CATALOGUE NEWS

BOOKNo. : 13Z4P601

Block No.	Ref. No.	Part No.	Description	Reqd. QTY	Base Part No.	Parts catalogue code
				GVV 160 UH2		
	23		SCREW, PAN, 5X20	0	93500-05020-0A	A1AS, A1T, A12, N1AH
	24		NUT, FLANGE, 6MM	0	94050-06000	A1AS, A1T, A12, N1AH
	25		BOLT, FLANGE, 6X10	0	95701-06010-00	A1AS, A1T, A12, N1AH
E-28	6	99004-21003	WRENCH, BOX (P21)	1		A1AS, A1T, A12, N1AH