

Directions for use of Parts Catalogue

1. Applicable model of machines

All component and option parts used for SSM48 – M mower are listed in this parts catalogue.

- NOTES : M17 FOR TM 215/217 (STD)
 MH17 FOR TM215/217 (HST), TMG18
 F FOR SF200/230
 G17 FOR SG173
 G15 FOR SG133/153
 M FOR TM215/217 (STD)
 MH FOR TM215/217 (HST), TMG18
 E4 EUROPE AND OCEANIA

2. Explanation for head paragraph

KEY	PART CODE	DESCRIPTION	S P C	TYPE OF MODEL						I T C	C O L	G R P	REMARKS
				SSM48M	SSM48F	SSM48G	SRM48M	SRM48F	SRM48G				
1	8595-211-001-20	CASE/UPPER	*	1 -229									
1A	8657-201-081-00	CASE/UPPER	*	2 -230			1						
2	8595-211-002-10	CASE/LOWER	*	1			1						
3	V523-100-801-80	PIN	*	2			2						
4	V211-260-803-00	BOLT, SEMS	*	6			6						
			*	2 -229									
			*	2 -230			2						
			*	2			2						
			*	1			1						

- ① KEY shows the location of parts diagramed in the illustration.
- ② Parts numbers begin with `V` and `W` are standard parts of the market.
- ③ `LH` and `RH` on the parts name are described against the moving direction of the machine or are described on the condition how to install parts on the machines.

- ④ SPC : The following symbol classifies parts to be used for machines.

` * ` means standard parts.

` T ` shows that the parts can be installed as optional parts.

` R ` shows that the parts can be used as applicable parts to replace originally equipped parts.

- ⑤ Upper column : QTY shows the number of parts to be used for one unit of machine.

` M ` is indicated for parts supplied by a meter long.

` ℓ ` is indicated for parts supplied by liter.

` AR ` is indicated for parts need to be adjusted or regulated.

Lower column : serial number

- 229 means serial number up to 229.

- 230 means serial number 230 and after.

- ⑥ ITC : Interchangeability

1 ... OLD ← NEW

New parts can be used in place of the old parts.

2 ... OLD → NEW

Old parts can be used in place of the new parts.

3 ... OLD →← NEW

Old parts and new parts can not be replaced each other.

- ⑦ COL : Color code

Color is signified with color code number for colored parts.

Please see the color list shown in the next page.

- ⑧ GRP : Parts shown in this column can be replaced by SET parts.

Example : Parts marked (A) can be replaced by parts marked (B), and (D) for (C), so the rest follow in the same alphabetical order.

- ⑨ Remarks

* Other maker's part code number is shown in this column.

* When Fig. No. is shown in the Remark column of SET parts or ASSY parts, each of their component parts are listed in said Fig. No.

3. Color:

The following colors are used for color parts.

COLOR CODE	C O L O R	SPRAY TYPE CODE NUMBER	PAINTS 4K DRUM	PAINTS 16K DRUM
4 G	CRYSTAL BLUE	1300-957-001-10	1300-957-003-00	1300-957-004-00
7 F	MIRROR BLACK	1300-954-001-10	1300-954-003-00	1300-954-004-00

NOTE : Color code is signified only for the parts assigned by the maker as color parts.

4. Serial Numbers:

For chassies serial number is shown on the LABEL.

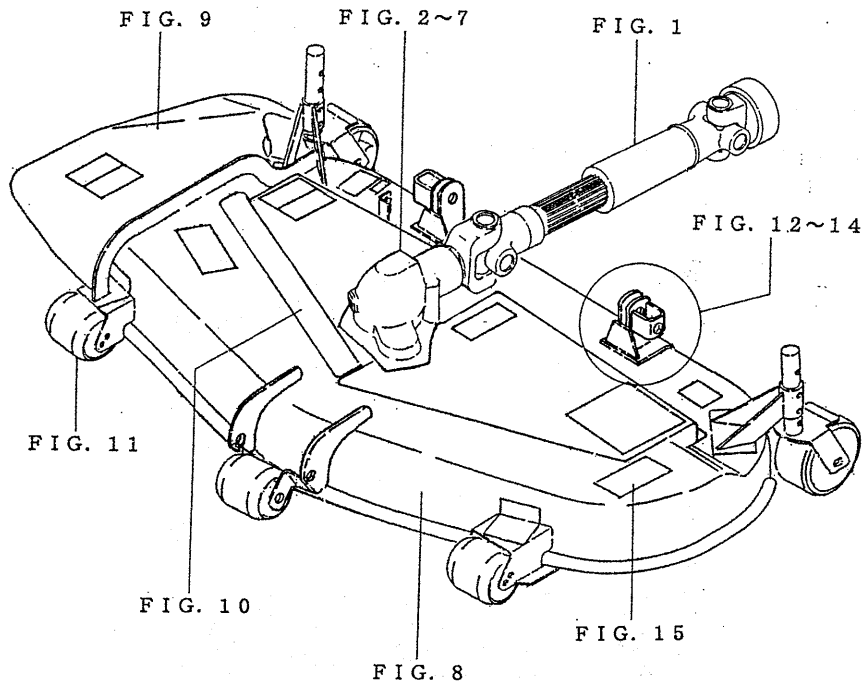
Please see



5. Parts Order

- 1) Parts numbers listed in the parts catalogue are all registered in "ISEKI on-line computer".
- 2) When you order parts, please make sure of correct numbers.
- 3) When substitute parts is available, the part number ordered will be automatically turned to a new part number.
- 4) Please be sure to use "ISEKI GENUINE PARTS".

Any other similar parts other than ISEKI parts when used may cause a trouble that makes us unable to repair or guarantee the warrant.

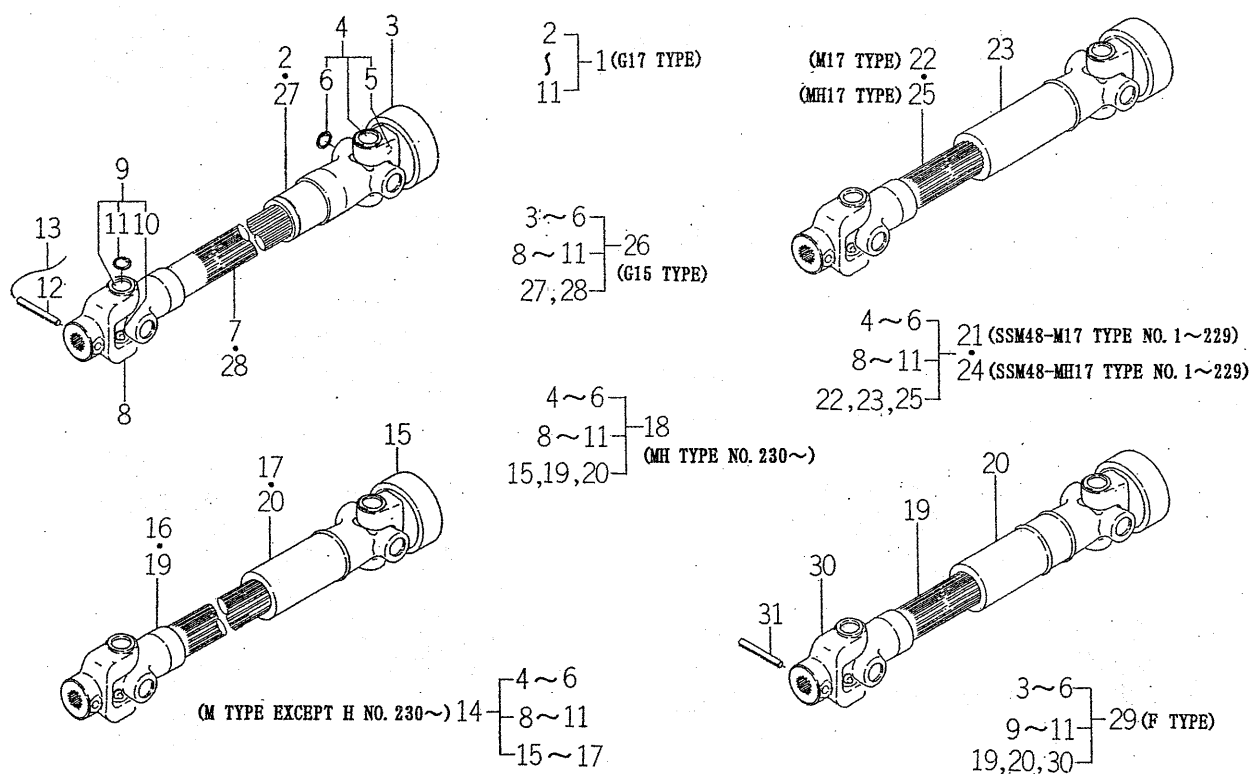


CONTENTS

SSM48 • SRM48

JOINT (UNIVERSAL) SYSTEM	Fig. 1
CASE (BEVEL) SYSTEM (F TYPE)	Fig. 2
CASE (BEVEL) SYSTEM (G TYPE)	Fig. 3
CASE (BEVEL) SYSTEM (M TYPE)	Fig. 4
PULLEY SYSTEM	Fig. 5
METAL SYSTEM	Fig. 6
BLADE SYSTEM	Fig. 7
DECK SYSTEM	Fig. 8
COVER (DISCHARGE) SYSTEM	Fig. 9
COVER (BELT) SYSTEM	Fig. 10
WHEEL (GAUGE) SYSTEM	Fig. 11
LIFT SYSTEM (F TYPE)	Fig. 12
LINK SYSTEM (M TYPE)	Fig. 13
CYLINDER SYSTEM (M TYPE)	Fig. 14
LABEL	Fig. 15

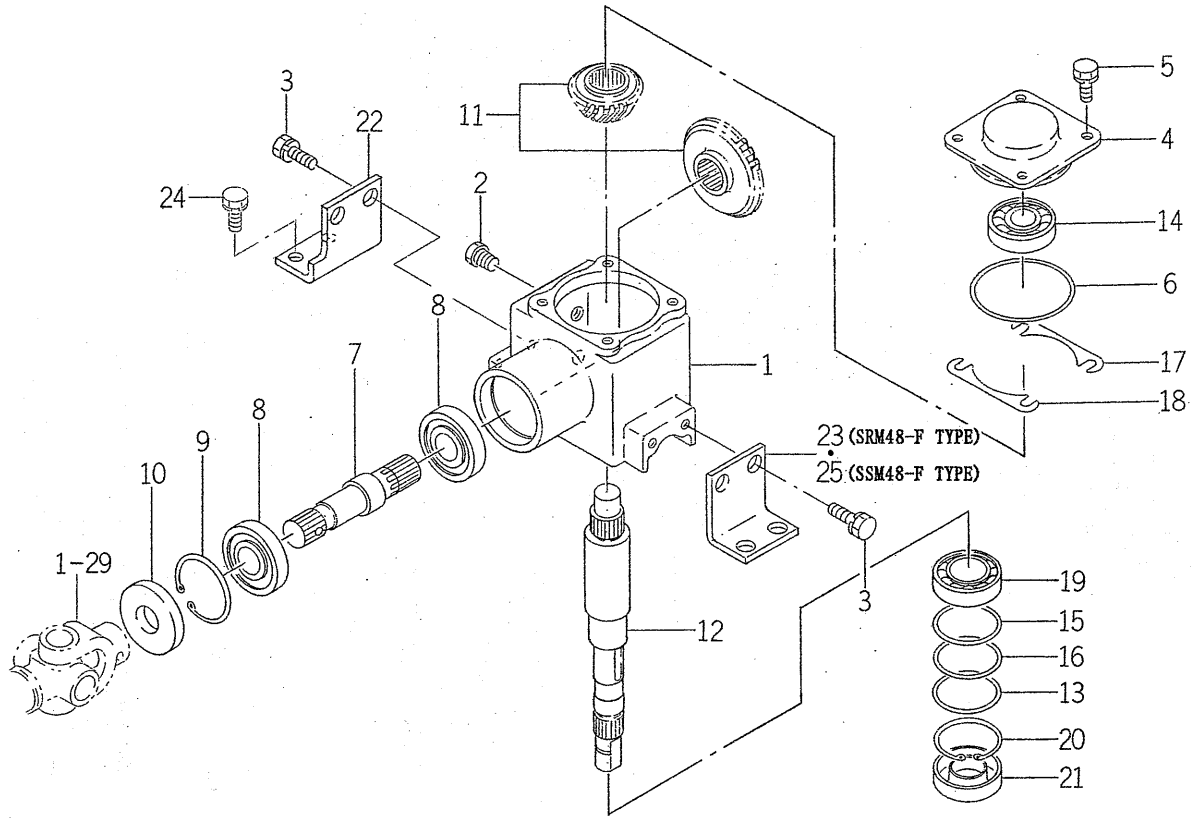
FIG. 1 JOINT (UNIVERSAL) SYSTEM



8595-101C

KEY	PART CODE	DESCRIPTION	S P C	TYPE OF MODEL						I T C	C O L	G R P	REMARKS
				SSM48M	SSM48F	SSM48G	SRM48M	SRM48F	SRM48G				
1	8595-101-450-00	JOINT/UNIVERSAL SET	*			1			1				
2	8595-101-461-00	SPLINEYOKE	*			1			1				
3	8595-101-412-00	AS ₃ - ₇ ASSY	*		1	1		1	1				
4	8654-101-230-00	JOURNALCROSSE ASSY	*		1	1		1	1				
4	8654-101-230-00	JOURNALCROSSE ASSY	*	2			2						
5	8654-101-232-00	GREASENIPPLE	*		1	1		1	1				
5	8654-101-232-00	GREASENIPPLE	*	2			2						
6	8654-101-233-00	SURCLIP/HOLE	*		4	4		4	4				
6	8654-101-233-00	SURCLIP/HOLE	*	8			8						
7	8595-101-471-00	SHAFTYOKE	*			1			1				
8	8595-101-422-00	FITTING YOKE	*	1		1	1		1				
9	8654-101-230-00	JOURNALCROSSE ASSY	*		1	1		1	1				
10	8654-101-232-00	GREASENIPPLE	*		1	1		1	1				
11	8654-101-233-00	SURCLIP/HOLE	*		4	4		4	4				
12	V580-140-604-00	PIN, SPRING/6 X40 W	*	1		1	1		1				
13		WIRE	*	1	1	1	1	1	1				
14	8597-101-500-00	JOINT/UNIVERSAL ASSY	*	1 230-			1						
15	8657-101-501-00	AS YOKE ASSY	*	1			1						
16	8597-101-501-00	SHAFTYOKE ASSY	*	1 230-			1						
17	8597-101-502-00	SLEEVEYOKE	*	1 230-			1						
18	8597-101-510-00	JOINT/UNIVERSAL ASSY	*	1 230-			1						
19	8654-101-222-00	SHAFTYOKE ASSY	*	1 230-	1		1	1					
20	8654-101-212-00	SLEEVEYOKE ASSY	*	1 230-	1		1	1					
21	8657-101-500-00	JOINT/UNIVERSAL ASSY	*	1 229									
22	8657-101-502-00	SHAFT YOKE ASSY	*	1 229									
23	8657-101-503-00	SLEEVE YOKE ASSY	*	1 229									
24	8657-101-510-00	JOINT/UNIVERSAL ASSY	*	1 229									
25	8657-101-511-00	SHAFT YOKE ASSY	*	1 229									
26	8595-101-400-00	JOINT/UNIVERSAL	*			1			1				
27	8595-101-411-00	SPLINEYOKE	*			1			1				

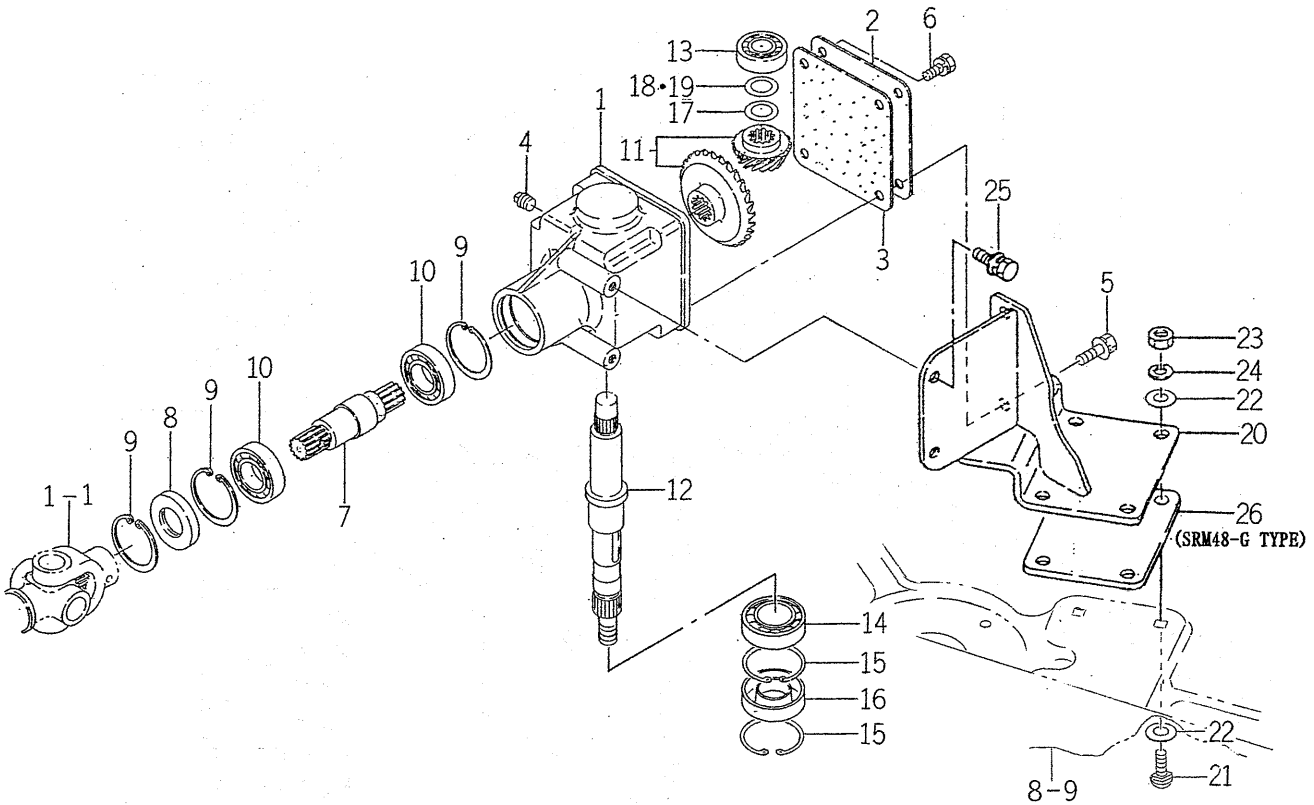
FIG. 2 CASE (BEVEL) SYSTEM (F TYPE)



8595-201D

KEY	PART CODE	DESCRIPTION	S P C	TYPE OF MODEL						I T C	C O L	G R P	REMARKS
				SSM48M	SSM48F	SSM48G	SRM48M	SRM48F	SRM48G				
1	8595-201-011-00	CASE/BEVEL	*		1			1					
2	7955-201-026-00	PLUG, DRAIN (1/4)	*		2			2					
3	V211-561-002-00	BOLT/M10X20	*		4			4					
4	8595-201-012-00	COVER/CASE	*		1			1					
5	V211-260-801-60	BOLT, SEMS (S) M8X16	*		4			4					
6	V721-103-108-00	O-RING/G80	*		1			1					
7	8595-201-013-00	SHAFT/INPUT	*		1			1					
8	1594-218-001-00	BEARING/BALL 6305SH2	*		2			2					
9	V707-140-062-00	RING/SNAP	*		1			1					
10	8595-201-025-00	SEAL/OIL	*		1			1					
11	8595-201-250-00	GEAR/BEVEL/25-1 SET	*		1			1					
12	8595-201-014-20	SHAFT/OUTPUT	*		1			1	1				
13	8595-201-015-00	WASHER/45X55X01	*		1			1					
14	V600-110-630-40	BEARING, RB/6304	*		1			1					
15	8595-201-016-00	SHIM/0.1	*		1			1					
16	8595-201-017-00	SHIM/0.2	*		1			1					
17	8595-201-021-00	SHIM/0.1	*		1			1					
18	8595-201-022-00	SHIM/0.2	*		1			1					
19	V600-110-600-60	BEARING, RB 6006	*		1			1					
20	V707-140-055-00	RING/SNAP	*		1			1					
21	V744-130-551-20	SEAL, OIL/TC305512	*		1			1					
22	8595-201-023-00	PLATE/L/75X65	*		1			1					
23	8597-201-001-00	PLATE/L/60X62	*					1					
24	V211-561-002-00	BOLT/M10X20	*		4			4					
25	8595-201-024-00	PLATE/L/60X65	*		1								

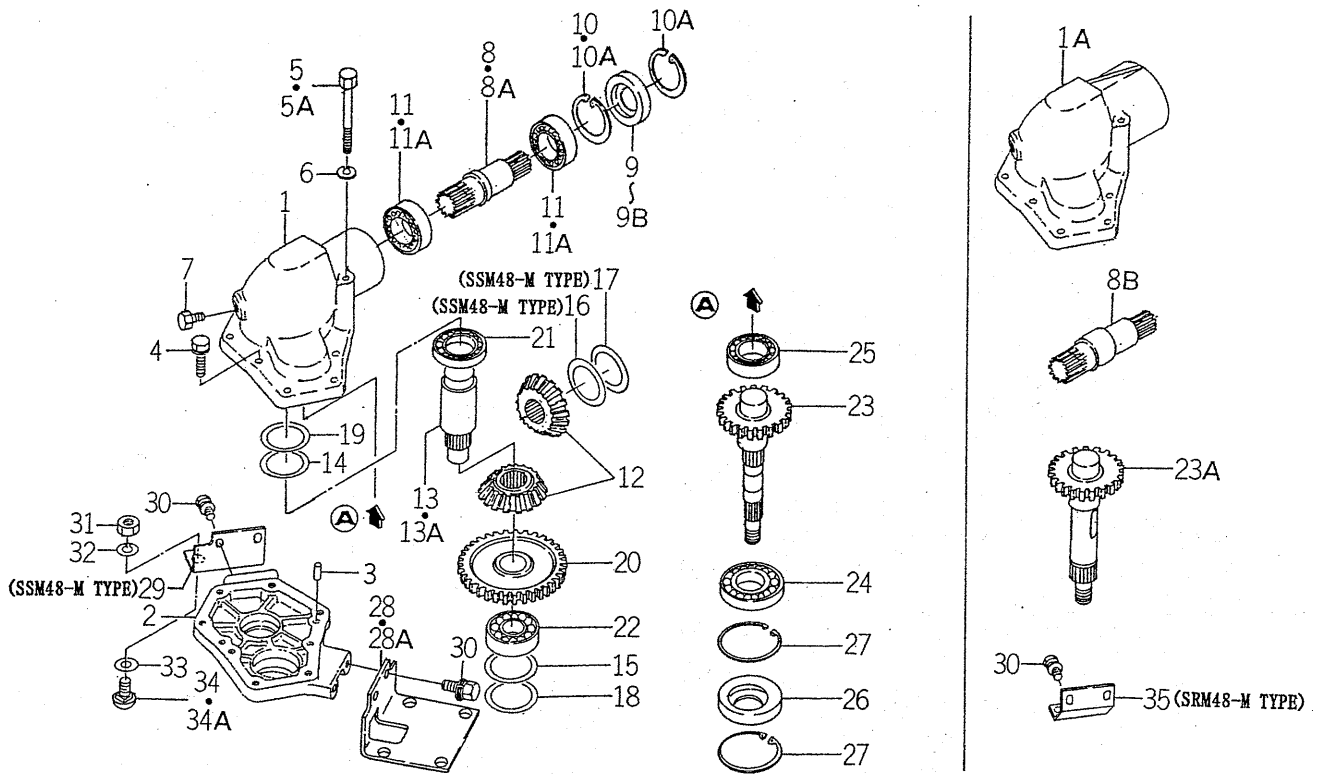
FIG. 3 CASE (BEVEL) SYSTEM (G TYPE)



8595-201G

KEY	PART CODE	DESCRIPTION	S P C	TYPE OF MODEL						I T C	C O L	G R P	REMARKS
				SSM48M	SSM48F	SSM48G	SRM48M	SRM48F	SRM48G				
1	8595-201-058-00	CASE/BEVEL	*			1			1				
2	8595-201-052-20	PLATE/I-108X112	*			1			1				
3	8595-201-053-20	GASKET	*			1			1				
4	V781-160-000-40	PLUG/SCREW	*			1			1				
5	V211-360-802-00	BOLT (SP) M8X20	*			2			2				
6	V211-260-801-60	BOLT, SEMS (S) M8X16	*			2			2				
7	8595-201-054-10	SHAFT, INPUT	*			1			1				
8	V744-125-470-80	SEAL, OIL/TC25478	*			1			1				
9	V705-140-047-00	RING, SNAP/47 C	*			3			3				
10	8595-201-009-00	BEARING/RB6005	*			2			2				
11	8595-201-270-00	GEAR/BEVEL/16-2 SET	*			1			1				
12	8595-201-059-00	SHAFT/OUTPUT	*			1			1				
13	V600-110-630-30	BEARING, RB/6303	*			1			1				
14	V600-111-600-60	BEARING, RB	*			1			1				
15	V707-140-055-00	RING/SNAP	*			2			2				
16	V744-130-551-20	SEAL, OIL/TC305512	*			1			1				
17	8595-201-069-10	SHIM/O. 1	*			1			1				
18	8595-201-071-00	SHIM/O. 2	*			1			1				
19	8595-201-081-00	SHIM/O. 1	*			1			1				
20	8595-301-510-40	CASE, BRACKET COMP	*			1			1				
21	8597-301-002-00	BLOT/M10X25	*			4			4				
22	V411-260-014-00	WASHER, PL/M14	*			4			4				
23	V304-260-010-00	NUT	*			4			4				
24	V401-160-010-00	WASHER, SP/M10	*			4			4				
25	V211-360-802-00	BOLT (SP) M8X20	*			2			2				
26	8597-301-001-00	PLATE/I/100X135	*						1				

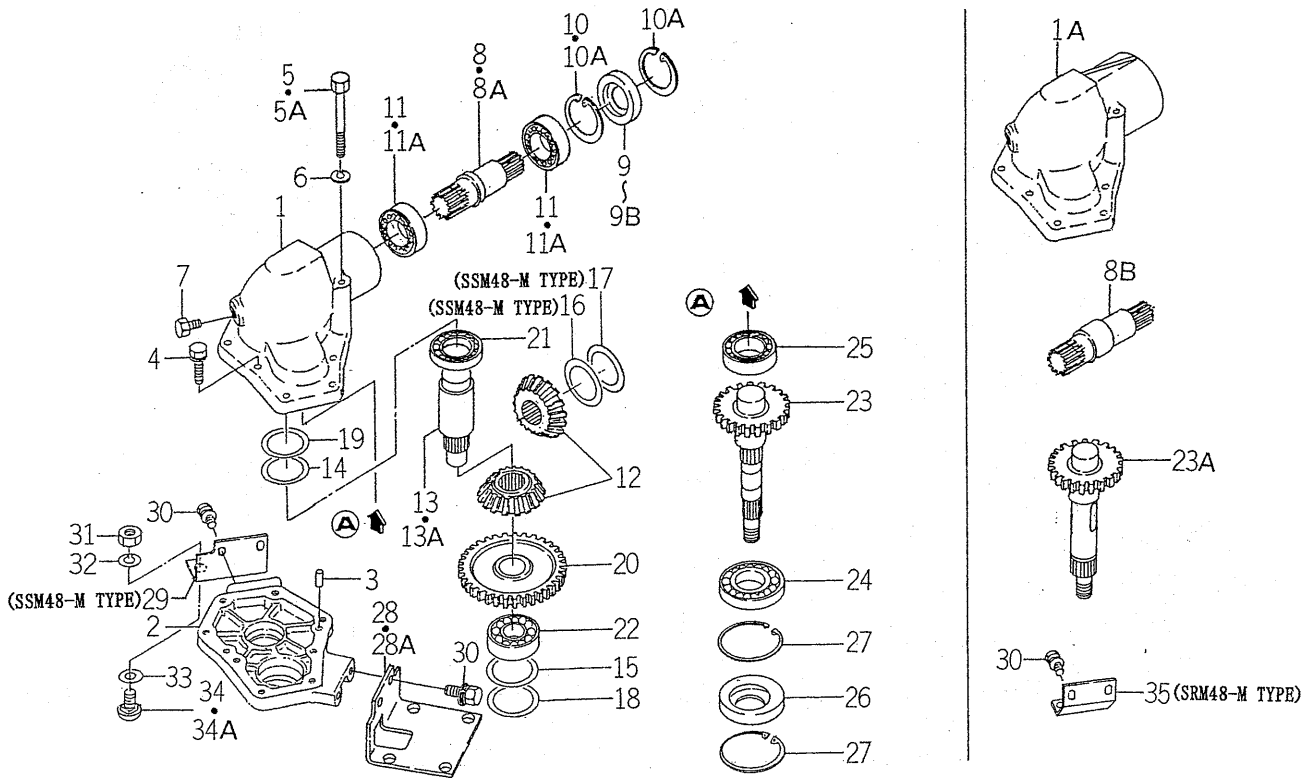
FIG. 4 CASE (BEVEL) SYSTEM (M TYPE)



8595-201E

KEY	PART CODE	DESCRIPTION	S P C	TYPE OF MODEL						I T C	C O L	G R P	REMARKS
				SSM48M	SSM48F	SSM48G	SRM48M	SRM48F	SRM48G				
1	8595-211-001-20	CASE/UPPER	*	1 -229									
1A	8657-201-081-00	CASE/UPPER	*	1 230-			1						
2	8595-211-002-10	CASE/LOWER	*	1			1						
3	V523-100-801-80	PIN	*	2			2						
4	V211-260-803-00	BOLT, SEMS	*	6			6						
5	V201-260-807-50	BOLT/M8X75	*	2 -229									
5A	V201-260-808-00	BOLT/M 8X80	*	2 230-			2						
6	V401-160-008-00	WASHER, SP/M 8	*	2			2						
7	7955-201-026-00	PLUG, DRAIN (1/4)	*	1			1						
8	8595-211-003-10	SHAFT/INPUT	*	1 -73									
8A	8595-211-003-20	SHAFT/INPUT	*	1 -229					3				
8B	8657-201-082-00	SHAFT/INPUT	*	1 230-			1						
9	V744-125-521-00	SEAL, OIL/TC255210	*	1 -73									
9A	8595-211-023-00	SEAL/OIL	*	1 -229									
9B	8657-201-083-00	SEAL/OIL	*	1 230-			1						
10	V705-140-052-00	RING, SNAP/52 C	*	1 -229									
10A	V707-140-062-00	RING/SNAP	*	2 230-			2						
11	1594-221-001-00	BEARING/BALL 6205SH2	*	2 -229									
11A	1650-219-009-00	BEARING/BALL	*	2 230-			2						
12	8595-211-200-20	GEAR/BEVEL/21-2 SET	*	1			1						
13	8595-211-004-10	SHAFT/COUNTER	*	1 -73									
13A	8595-211-004-20	SHAFT/COUNTER	*	1 74-			1		1				
14	8595-211-005-10	SHIM/O. 2	*	1			1						
15	8595-211-010-00	SHIM/O. 2	*	1			1						
16	8595-211-018-00	SHIM/O. 2	*	1 -229									
17	8595-211-019-00	SHIM/O. 1	*	1 -229									
18	8595-211-021-00	SHIM/O. 1	*	AR			AR						
19	8595-211-022-00	SHIM/O. 1	*	AR			AR						
20	8595-211-006-30	GEAR/SPUR/34	*	1			1						
21	V600-110-600-50	BEARING, RB/6005	*	1			1						

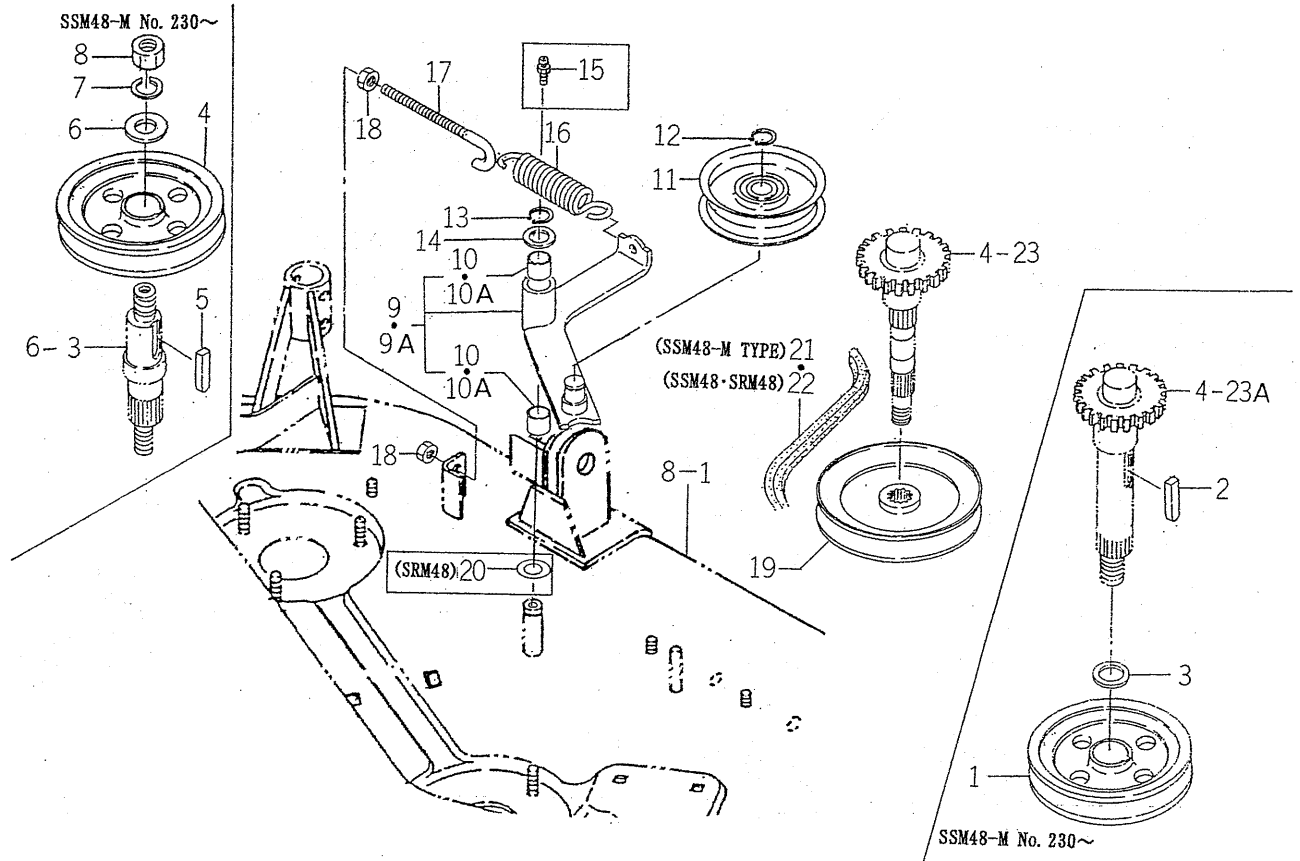
FIG. 4 CASE (BEVEL) SYSTEM (M TYPE)



8595-201E

KEY	PART CODE	DESCRIPTION	S P C	TYPE OF MODEL						I T C	C O L	G R P	REMARKS
				SSM48M	SSM48F	SSM48G	SRM48M	SRM48F	SRM48G				
22	V600-110-630-40	BEARING, RB/6304	*	1			1						
23	8595-211-007-20	GEAR/SPUR/21	*	1 -229									
23A	8597-201-053-00	GEAR/SPUR/21	*	1 230-			1						
24	V600-110-600-60	BEARING, RB 6006	*	1			1						
25	1594-221-001-00	BEARING/BALL 6205SH2	*	1			1						
26	8595-211-024-00	SEAL/OIL	*	1			1						
27	V707-140-055-00	RING/SNAP	*	2			2						
28	8595-211-008-20	PLATE/L/130X109	*	1 -229									
28A	8597-201-051-00	PLATE/L/130X109	*	1 230-			1						
29	8595-211-009-10	PLATE/L/105X64	*	1									
30	V211-361-002-00	BOLT, SEMS	*	4			4						
31	V304-260-010-00	NUT	*	6			6						
32	V401-160-010-00	WASHER, SP/M10	*	6			6						
33	V411-260-014-00	WASHER, PL/M14	*	6			6						
34	8595-301-007-10	BOLT/M10X20	*	6 -54									
34A	8597-301-002-00	BLOT/M10X25	*	6 55-			6						
35	8597-201-052-00	PLATE/STAY	*				1						

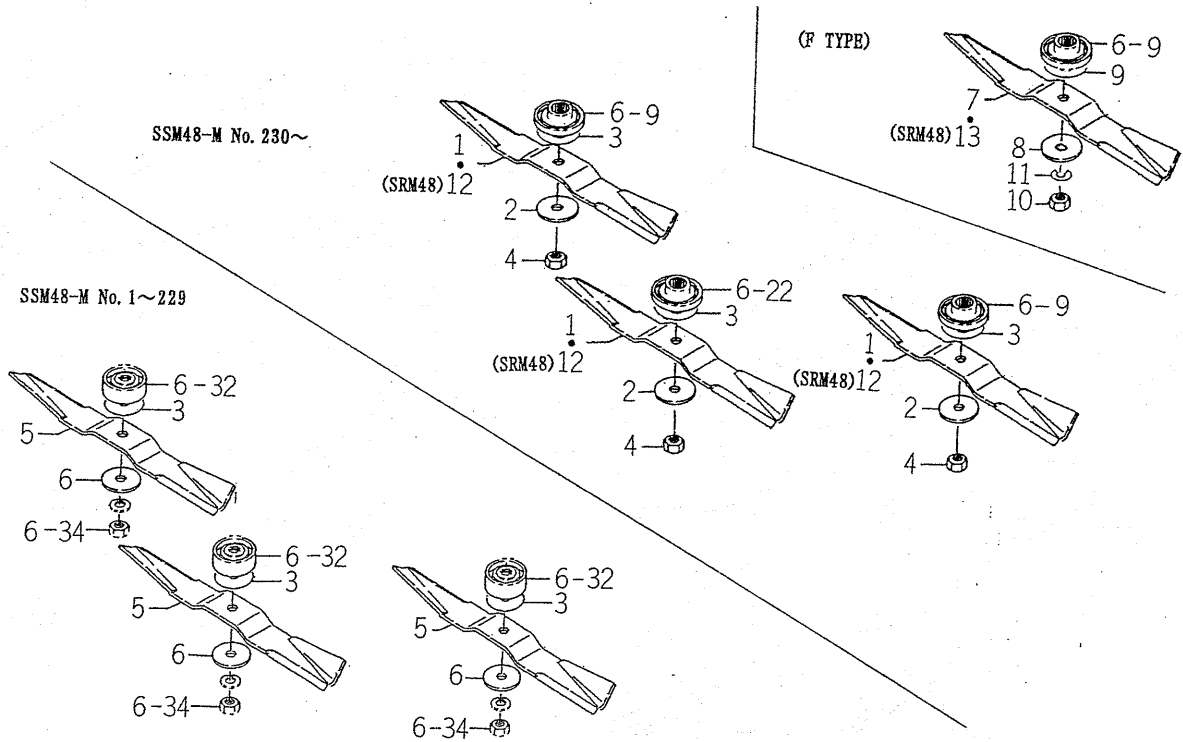
FIG. 5 PULLEY SYSTEM



8595-202A

KEY	PART CODE	DESCRIPTION	S P C	TYPE OF MODEL						I T C	C O L	G R P	REMARKS
				SSM48M	SSM48F	SSM48G	SRM48M	SRM48F	SRM48G				
1	8657-202-001-00	PULLEY/VB125	*	1 230-	1	1	1	1	1				
2	8654-202-016-00	KEY/06X06X28	*	1 230-	1	1	1	1	1				
3	1434-211-004-00	COLLAR/26X36X3	*	1 230-	1	1	1	1	1				
4	8657-202-001-00	PULLEY/VB125	*	2 230-	2	2	2	2	2				
5	8654-202-016-00	KEY/06X06X28	*	2 230-	2	2	2	2	2				
6	3746-111-011-00	WASHER, BRAKE DRUM	*	2 230-	2	2	2	2	2				
7	V401-160-016-00	WASHER, SP/M16	*	2 230-	2	2	2	2	2				
8	V304-460-016-00	NUT/M16	*	2 230-	2	2	2	2	2				
9	8595-202-520-10	ARM, TENTION	*	1 -229	1	1							
9A	8597-202-500-00	ARM/TENSION ASSY	*	1 260-	1	1	1	1	1				
10	1560-275-012-00	BUSH/16X18X20	*	2 -229	2	2							
10A	8597-202-501-00	BUSH/16X18X15	*	2 260-	2	2	2	2	2				
11	8593-014-200-10	PULLEY COMP	*	1	1	1	1	1	1				
12	V704-140-017-00	RING, SNAP/17 C	*	1	1	1	1	1	1				
13	V704-140-016-00	RING, SNAP/16 C	*	1	1	1	1	1	1				
14	3621-211-003-00	WASHER	*	1	1	1	1	1	1				
15	V760-150-000-00	NIPPLE, GREASE	*	1 230-	1	1	1	1	1				
16	3737-341-006-00	SPRING, CHAIN TENSION	*	1	1	1	1	1	1				
17	3737-341-007-00	ROD, CHAIN TENSION	*	1	1	1	1	1	1				
18	V304-260-008-00	NUT/M 8	*	2	2	2	2	2	2				
19	8595-202-500-30	PULLY/VB120 COMP	*	1 -229									
20	V411-260-016-00	WASHER / M16	*				1	1	1				
21	8595-203-002-20	BELT, V/B091	*	1 -229									
22	8595-203-003-00	BELT/VB092	*	1 230-	1	1	1	1	1				

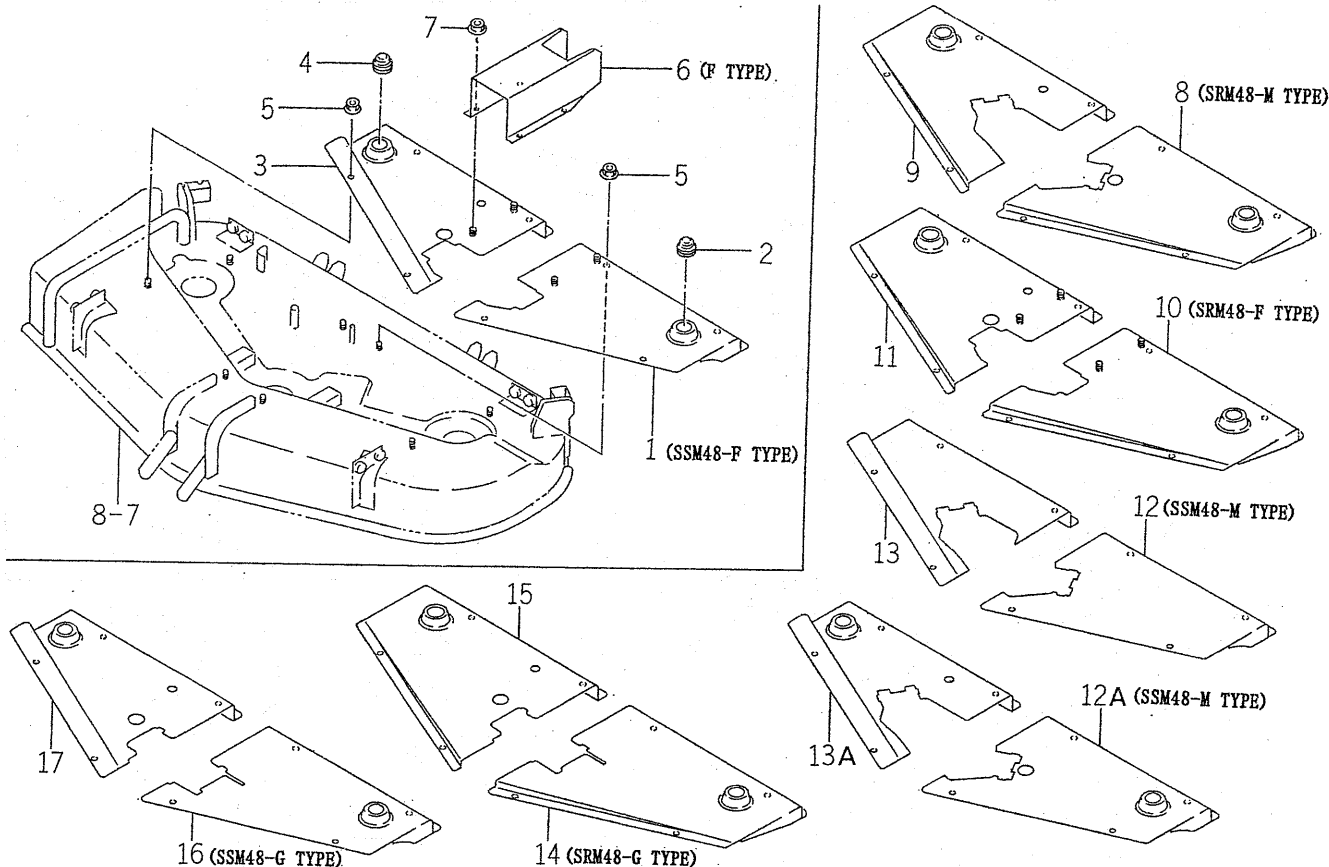
FIG. 7 BLADE SYSTEM



8595-306A

KEY	PART CODE	DESCRIPTION	S P C	TYPE OF MODEL						I T C	C O L	G R P	REMARKS
				SSM48M	SSM48F	SSM48G	SRM48M	SRM48F	SRM48G				
1	8595-306-002-00	BLADE/60X428	*	3 230-		3							
2	8657-306-002-00	WASHER/15X60X06	*	3 230-		3	3		3				
3	8595-305-011-00	SHIM/1.2	*	AR -229			AR		AR				
3	8595-305-011-00	SHIM/1.2	*	AR -229		AR							
4	V304-460-014-00	NUT/M14	*	3 230-		3	3		3				
5	8595-306-061-00	BLADE/50X426	*	3 -229									
6	8595-305-012-00	WASHER/14X55X05	*	3 -229									
7	8595-306-004-00	BLADE/60X428/C	*		3								
8	8595-306-005-00	WASHER/20X60X06	*		3			3					
9	8595-306-006-00	SHIM/1.2	*		3			3					
10	8595-306-007-00	NUT/M20X1.5	*		3			3					
11	V401-160-020-00	WASHER, SP/M20	*		3			3					
12	8597-306-001-00	BLADE/50X429	*				3		3				
13	8597-306-002-00	BLADE/50X429/C	*					3					

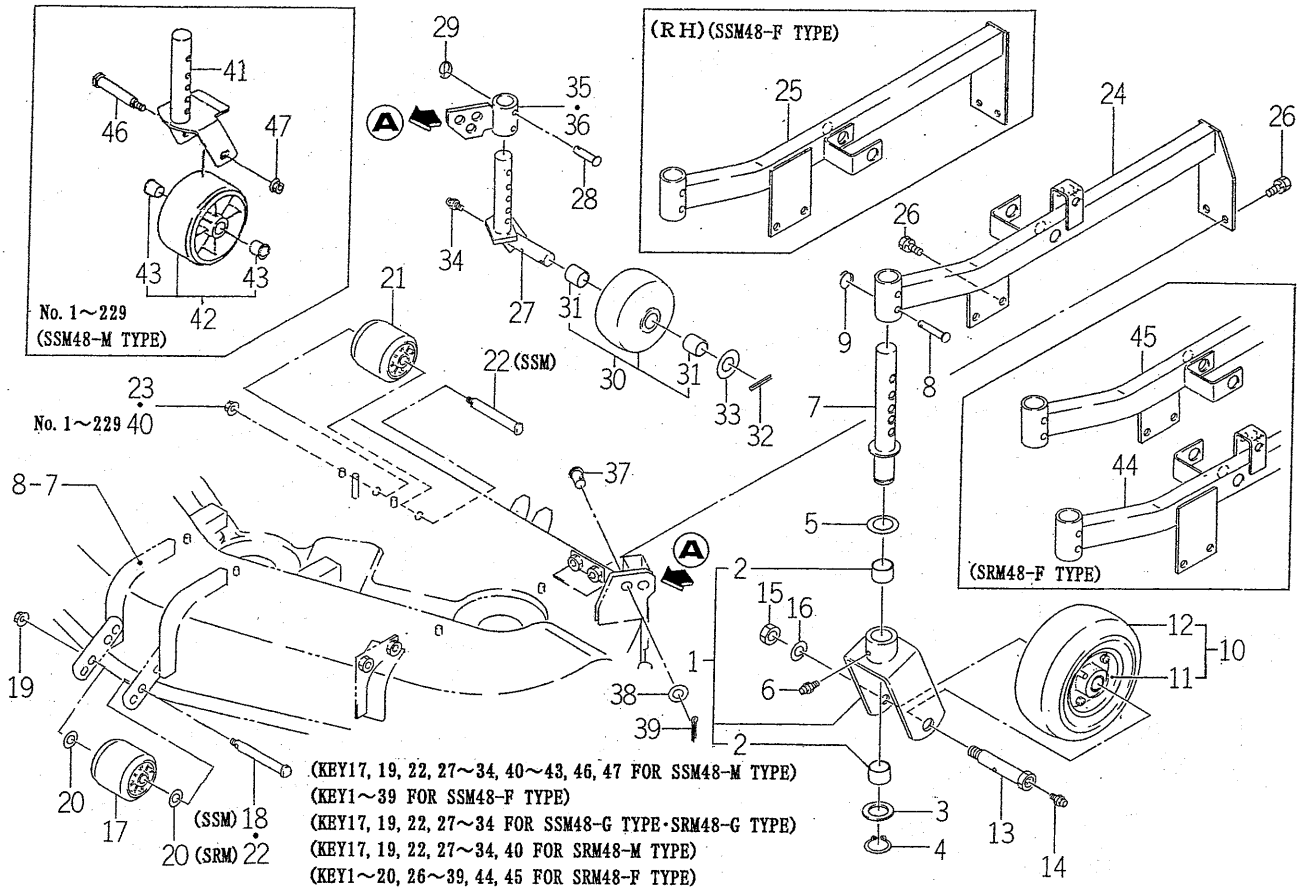
FIG. 10 COVER (BELT) SYSTEM



8595-407B

KEY	PART CODE	DESCRIPTION	S P C	TYPE OF MODEL						I T C	C O L	G R P	REMARKS
				SSM48M	SSM48F	SSM48G	SRM48M	SRM48F	SRM48G				
1	8595-407-220-00	COVER/BELT/LH/F COMP	*		1						4G		
2	2149-602-012-00	CAP/32	*		1	1		1	1				
2	2149-602-012-00	CAP/32	*	2 230-			2						
3	8595-407-230-00	COVER/BELT/RH/F COMP	*		1						4G		
4	2149-602-012-00	CAP/32	*	1 230-			1						
4	2149-602-012-00	CAP/32	*		2	2		2	2				
5	V362-260-008-00	NUT/WASHER	*	8	8	8	8	8	8				
6	8595-407-003-00	COVER/UNIVERSAL	*		1			1			4G		
7	V362-260-008-00	NUT/WASHER	*		4			4					
8	8597-407-520-00	COVER/BELT/LH COMP	*				1				7F		
9	8597-407-530-00	COVER/BELT/RH COMP	*				1				7F		
10	8597-407-310-00	COVER/BELT/LH/F COMP	*					1			4G		
11	8597-407-320-00	COVER/BELT/RH/F COMP	*					1			4G		
12	8595-407-810-00	COVER/BELT/LH COMP	*	1 -229							7F		
12A	8595-407-810-10	COVER/BELT/LH COMP	*	1 230-						3	7F		
13	8595-407-820-00	COVER/BELT/RH COMP	*	1 -229							7F		
13A	8595-407-820-10	COVER/BELT/RH COMP	*	1 230-						3	7F		
14	8597-407-220-00	COVER/BELT/LH/G COMP	*						1		7F		
15	8597-407-230-00	COVER/BELT/RH/G COMP	*						1		7F		
16	8595-407-240-00	COVER/BELT/LH/G COMP	*			1					7F		
17	8595-407-250-00	COVER/BELT/RH/G COMP	*			1					7F		

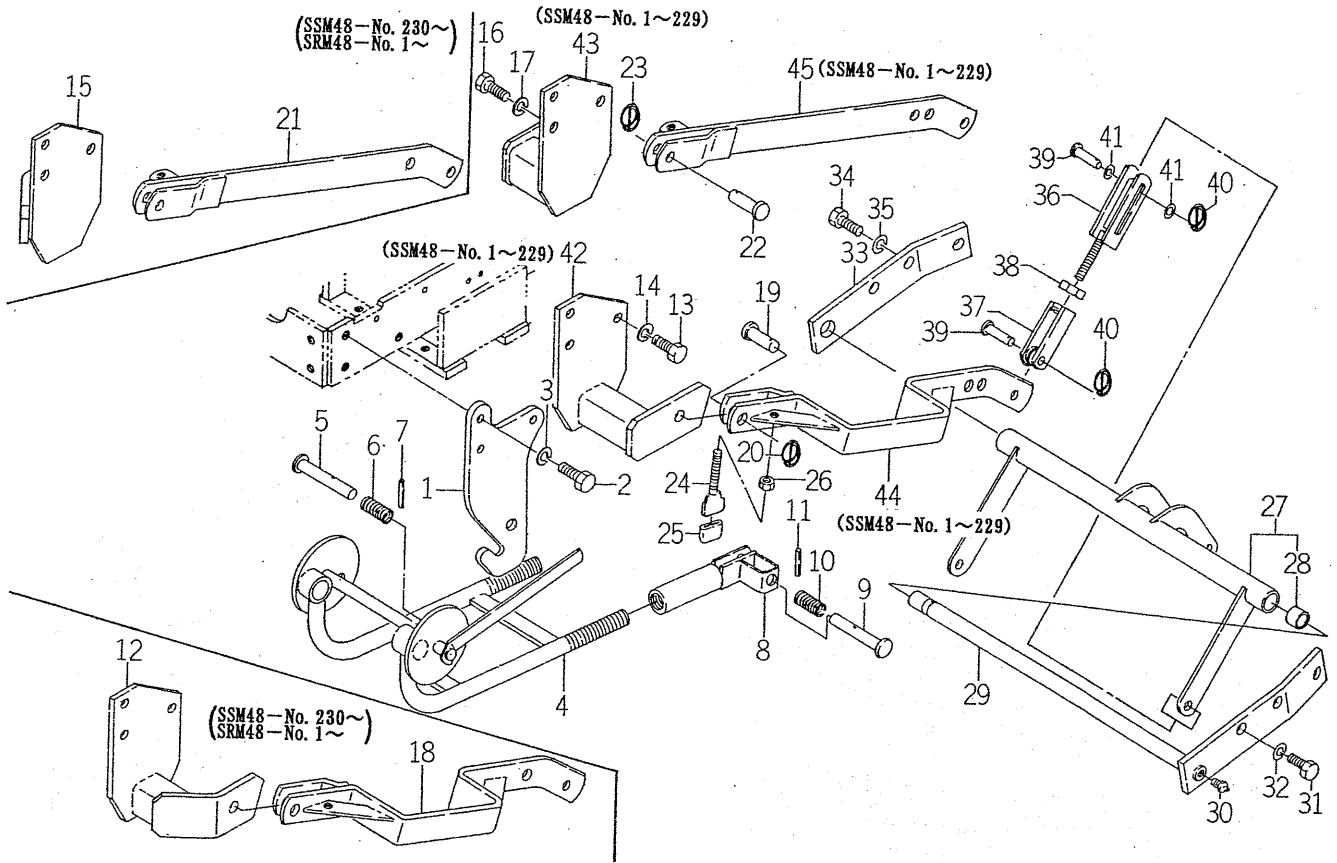
FIG. 11 WHEEL (GAUGE) SYSTEM



8595-501A

KEY	PART CODE	DESCRIPTION	S P C	TYPE OF MODEL						I T C	C O L	G R P	REMARKS
				SSM48M	SSM48F	SSM48G	SRM48M	SRM48F	SRM48G				
1	8595-501-310-00	FORK/WHEEL ASSY	*		2			2					
2	8654-501-201-00	BUSH/30X34X20	*		4			4					
3	3670-701-010-00	WASHER/30X50X05	*		2			2					
4	V704-140-030-00	RING, SNAP/30 C	*		2			2					
5	1427-432-005-00	COLLAR, THRUST	*		2			2					
6	V760-150-000-00	NIPPLE, GREASE	*		2			2					
7	8595-501-280-00	PIN/GAUGE COMP	*		2			2					
8	2144-106-005-00	PIN/10X53	*		2			2					
9	8654-501-006-10	SPRING/CLIP	*		2			2					
10	8595-501-320-00	WHEEL/GAUGE ASSY	*		2			2					
11	8595-501-350-00	WHELL ASSY	*		2			2					
12	8595-501-360-00	TIRE/8X3.00-4 ASSY	*		2			2					
13	8595-501-007-00	PIN/20X112	*		2			2					
14	V760-150-000-00	NIPPLE, GREASE	*		2			2					
15	V304-460-016-00	NUT/M16	*		2			2					
16	V401-160-016-00	WASHER, SP/M16	*		2			2					
17	8595-501-001-10	WHEEL/GAUGE/FRONT	*		1			1					
17	8595-501-001-10	WHEEL/GAUGE/FRONT	*				3		3				
17	8595-501-001-10	WHEEL/GAUGE/FRONT	*	4		4							
18	8595-501-006-00	PIN/12X119	*		1			1					
19	V362-260-008-00	NUT/WASHER	*		1			1					
19	V362-260-008-00	NUT/WASHER	*				3		3				
19	V362-260-008-00	NUT/WASHER	*	4		4							
20	V411-260-012-00	WASHER /M12	*	230-	2			2					
21	8595-501-001-10	WHEEL/GAUGE/FRONT	*		1								
22	8595-505-051-20	PIN/12X108	*		1								
22	8595-505-051-20	PIN/12X108	*				3		3				
22	8595-505-051-20	PIN/12X108	*	4		4							
23	V362-260-008-00	NUT/WASHER	*		1								
24	8595-501-240-00	ARM/GAUGE/LH COMP	*		1								

FIG. 13 LINK SYSTEM (M TYPE)



8597-608

KEY	PART CODE	DESCRIPTION	S P C	TYPE OF MODEL						I T C	C O L	G R P	REMARKS
				SSM48M	SSM48F	SSM48G	SRM48M	SRM48F	SRM48G				
1	8595-608-081-00	BRACKET/FRONT	*	2			2						
2	V201-361-203-00	BOLT/M12X30	*	6			6						
3	V401-160-012-00	WASHER, SP/M12	*	6			6						
4	8657-608-510-00	ARM/FRONT COMP	*	1			1						
5	8595-608-082-00	PIN/16X96	*	1			1						
6	1560-601-028-00	SPRING/HCO42	*	1			1						
7	V580-140-504-00	PIN, SPRING/5 X40 W	*	1			1						
8	8595-608-820-00	HITCH/ARM COMP	*	2			2						
9	8595-608-082-00	PIN/16X96	*	2			2						
10	1560-601-028-00	SPRING/HCO42	*	2			2						
11	V580-140-504-00	PIN, SPRING/5 X40 W	*	2			2						
12	8657-608-850-00	BRACKET/MID/LH COMP	*	1 230-			1						
13	V203-361-003-50	BOLT	*	3 5			3						
14	V401-160-010-00	WASHER, SP/M10	*	3			3						
15	8657-608-860-00	BRACKET/MID/RH COMP	*	1 230-			1						
16	V203-361-003-50	BOLT	*	3			3						
17	V401-160-010-00	WASHER, SP/M10	*	3			3						
18	8597-608-510-00	ARM/MID/LH COMP	*	1 230-			1						
19	8657-608-052-00	PIN/16X43	*	1			1						
20	1427-317-003-00	CLIP, PIN	*	1			1						
21	8597-608-520-00	ARM/MID/RH COMP	*	1 230-			1						
22	8657-608-052-00	PIN/16X43	*	1			1						
23	1427-317-003-00	CLIP, PIN	*	1			1						
24	8595-608-870-00	STOPPER COMP	*	2			2						
25	1593-101-012-00	STOPPER	*	2			2						
26	V304-260-012-00	NUT/M12	*	2			2						
27	8657-608-560-10	LINK/REAR ASSY	*	1			1						
28	8654-501-283-00	BUSH/22X25X25	*	2			2						
29	8657-608-580-10	BRACKET/REAR/LH COMP	*	1			1						
30	V762-150-000-00	NIPPLE, GREASE/B-M6F	*	2			2						

NUMERICAL INDEX

8595-097-100-10

PART CODE	FIG. KEY	PART CODE	FIG. KEY	PART CODE	FIG. KEY
K182-002-002-00	14 6	V363-260-008-00	9 10	V704-140-016-00	5 13
K182-032-000-00	14 4		9 12	V704-140-017-00	5 12
K182-032-001-00	14 5		11 40	V704-140-030-00	11 4
K182-032-002-00	14 7	V363-260-010-00	11 47	V705-140-040-00	6 30
K182-032-003-00	14 8	V401-160-008-00	4 6	V705-140-047-00	3 9
V201-260-803-00	9 7		6 37		6 31
V201-260-807-50	4 5	V401-160-010-00	3 24	V705-140-052-00	4 10
V201-260-808-00	4 5A		4 32		6 6
V201-361-203-00	13 2		13 14		6 19
	13 31		13 17	V707-140-055-00	2 20
	13 34	V401-160-012-00	12 9		3 15
	14 2		13 3		4 27
V203-361-003-50	13 13		13 32	V707-140-062-00	2 9
	13 16		13 35		4 10A
V210-260-601-20	6 26		14 3		6 10
V211-260-801-60	2 5	V401-160-014-00	6 35		6 23
	3 6	V401-160-016-00	5 7	V720-101-900-90	12 12
V211-260-802-00	9 3		11 16	V721-103-108-00	2 6
V211-260-803-00	4 4	V401-160-020-00	7 11	V744-125-470-80	3 8
V211-261-002-50	6 2	V411-260-012-00	11 20	V744-125-521-00	4 9
	6 13		12 7	V744-130-551-20	2 21
	11 26		13 41		3 16
V211-360-802-00	3 5	V411-260-014-00	3 22	V744-135-520-80	6 8
	3 25		4 33		6 21
V211-361-002-00	4 30	V411-260-016-00	5 20	V760-150-000-00	5 15
V211-561-002-00	2 3		11 38		6 11
	2 24		12 8		6 14
V304-260-008-00	5 18	V411-260-022-00	11 33		11 6
	6 36	V500-163-002-50	11 39		11 14
	9 8	V523-100-801-80	4 3		11 34
V304-260-010-00	3 23	V580-140-504-00	8 4	V762-150-000-00	13 30
	4 31		11 32	V781-160-000-40	3 4
	6 16		13 7	1342-402-006-00	14 15
V304-260-012-00	13 26		13 11	1421-502-002-00	12 2
V304-260-016-00	13 38	V580-140-604-00	1 12	1427-317-003-00	11 29
V304-460-012-00	12 10	V580-140-804-00	1 31		12 13
V304-460-014-00	6 34	V600-110-600-50	4 21		13 20
	7 4	V600-110-600-60	2 19		13 23
V304-460-016-00	5 8		4 24		13 40
	11 15	V600-110-630-30	3 13		14 12
V362-260-008-00	10 5	V600-110-630-40	2 14	1427-432-005-00	11 5
	10 7		4 22	1434-211-004-00	5 3
	11 19	V600-110-690-80	6 5	1560-275-012-00	5 10
	11 23		6 18	1560-285-006-20	11 43
V363-260-008-00	9 5	V600-111-600-60	3 14	1560-601-028-00	8 3

PART CODE	FIG. KEY	PART CODE	FIG. KEY	PART CODE	FIG. KEY
1560-601-028-00	13 6	8595-201-016-00	2 15	8595-301-013-10	6 25
	13 10	8595-201-017-00	2 16	8595-301-031-00	6 38
1593-101-012-00	13 25	8595-201-021-00	2 17	8595-301-510-40	3 20
1593-901-015-00	15 10	8595-201-022-00	2 18	8595-301-520-00	6 27
1594-218-001-00	2 8	8595-201-023-00	2 22	8595-305-011-00	7 3
1594-221-001-00	4 11	8595-201-024-00	2 25	8595-305-012-00	7 6
	4 25	8595-201-025-00	2 10	8595-306-002-00	7 1
	6 4	8595-201-052-20	3 2	8595-306-004-00	7 7
	6 17	8595-201-053-20	3 3	8595-306-005-00	7 8
1608-206-240-00	14 9	8595-201-054-10	3 7	8595-306-006-00	7 9
1608-206-241-00	14 10	8595-201-058-00	3 1	8595-306-007-00	7 10
1650-219-009-00	4 11A	8595-201-059-00	3 12	8595-306-061-00	7 5
1682-408-220-00	14 13	8595-201-069-10	3 17	8595-402-220-00	8 7
2144-106-005-00	11 8	8595-201-071-00	3 18	8595-402-260-00	8 9
2149-602-012-00	10 2	8595-201-081-00	3 19	8595-402-810-21	8 1
	10 4	8595-201-250-00	2 11	8595-402-810-30	8 1A
2500-901-014-30	15 6	8595-201-270-00	3 11	8595-405-600-00	9 1
2500-901-027-00	15 1	8595-202-500-30	5 19	8595-405-610-00	9 2
3621-211-003-00	5 14	8595-202-520-10	5 9	8595-406-210-50	9 14
3670-701-010-00	11 3	8595-203-002-20	5 21	8595-406-220-00	9 4
3737-341-006-00	5 16	8595-203-003-00	5 22	8595-407-003-00	10 6
3737-341-007-00	5 17	8595-211-001-20	4 1	8595-407-220-00	10 1
	9 15	8595-211-002-10	4 2	8595-407-230-00	10 3
3746-111-011-00	5 6	8595-211-003-10	4 8	8595-407-240-00	10 16
3768-112-001-00	9 6	8595-211-003-20	4 8A	8595-407-250-00	10 17
3768-185-022-10	14 14	8595-211-004-10	4 13	8595-407-810-00	10 12
7955-201-026-00	2 2	8595-211-004-20	4 13A	8595-407-810-10	10 12A
	4 7	8595-211-005-10	4 14	8595-407-820-00	10 13
7957-405-003-00	12 5	8595-211-006-30	4 20	8595-407-820-10	10 13A
8593-014-200-10	5 11	8595-211-007-20	4 23	8595-501-001-10	11 17
8595-101-400-00	1 26	8595-211-008-20	4 28		11 21
8595-101-411-00	1 27	8595-211-009-10	4 29	8595-501-005-20	11 46
8595-101-412-00	1 3	8595-211-010-00	4 15	8595-501-006-00	11 18
8595-101-421-00	1 28	8595-211-018-00	4 16	8595-501-007-00	11 13
8595-101-422-00	1 8	8595-211-019-00	4 17	8595-501-008-00	11 37
8595-101-450-00	1 1	8595-211-021-00	4 18	8595-501-240-00	11 24
8595-101-461-00	1 2	8595-211-022-00	4 19	8595-501-250-00	11 25
8595-101-471-00	1 7	8595-211-023-00	4 9A	8595-501-280-00	11 7
8595-101-510-00	1 29	8595-211-024-00	4 26	8595-501-310-00	11 1
8595-201-009-00	3 10	8595-211-200-20	4 12	8595-501-320-00	11 10
8595-201-011-00	2 1	8595-301-005-30	6 32	8595-501-330-00	11 35
8595-201-012-00	2 4	8595-301-007-10	4 34	8595-501-340-00	11 36
8595-201-013-00	2 7	8595-301-009-00	6 29	8595-501-350-00	11 11
8595-201-014-20	2 12	8595-301-011-00	6 28	8595-501-360-00	11 12
8595-201-015-00	2 13	8595-301-012-00	6 33	8595-501-500-30	11 41

8595-097-100-10

PART CODE	FIG. KEY		PART CODE	FIG. KEY		PART CODE	FIG. KEY	
8595-501-510-00	11	42	8597-407-530-00	10	9	8657-608-051-10	13	33
8595-505-002-00	11	28	8597-501-310-00	11	44	8657-608-052-00	13	19
8595-505-051-20	11	22	8597-501-320-00	11	45		13	22
8595-510-002-00	12	6	8597-608-510-00	13	18	8657-608-053-10	13	39
8595-510-004-00	12	1	8597-608-520-00	13	21	8657-608-510-00	13	4
8595-510-019-00	12	3	8654-101-212-00	1	20	8657-608-520-00	13	42
8595-510-023-00	12	11	8654-101-221-00	1	30	8657-608-530-00	13	43
8595-608-081-00	13	1	8654-101-222-00	1	19	8657-608-540-00	13	44
8595-608-082-00	8	2	8654-101-230-00	1	4	8657-608-550-00	13	45
	13	5		1	9	8657-608-560-10	13	27
	13	9	8654-101-232-00	1	5	8657-608-580-10	13	29
8595-608-083-00	12	4		1	10	8657-608-590-10	13	36
8595-608-820-00	13	8	8654-101-233-00	1	6	8657-608-610-10	13	37
8595-608-870-00	13	24		1	11	8657-608-850-00	13	12
8595-901-005-00	15	3	8654-202-016-00	5	2	8657-608-860-00	13	15
8595-901-006-00	15	4		5	5	8657-610-051-00	14	11
8595-901-007-00	15	5	8654-301-004-00	6	7	8657-610-510-20	14	1
8595-901-008-00	15	7		6	20			
8595-903-081-00	15	9	8654-501-006-10	11	9			
8597-101-500-00	1	14	8654-501-201-00	11	2			
8597-101-501-00	1	16	8654-501-283-00	11	31			
8597-101-502-00	1	17		13	28			
8597-101-510-00	1	18	8654-901-001-00	15	2			
8597-201-001-00	2	23	8654-901-002-00	15	8			
8597-201-051-00	4	28A	8657-101-500-00	1	21			
8597-201-052-00	4	35	8657-101-501-00	1	15			
8597-201-053-00	4	23A	8657-101-502-00	1	22			
8597-202-500-00	5	9A	8657-101-503-00	1	23			
8597-202-501-00	5	10A	8657-101-510-00	1	24			
8597-301-001-00	3	26	8657-101-511-00	1	25			
8597-301-002-00	3	21	8657-201-081-00	4	1A			
	4	34A	8657-201-082-00	4	8B			
8597-306-001-00	7	12	8657-201-083-00	4	9B			
8597-306-002-00	7	13	8657-202-001-00	5	1			
8597-402-230-00	8	8		5	4			
8597-402-310-10	8	6	8657-301-004-00	6	1			
8597-402-510-00	8	5	8657-301-005-00	6	12			
8597-406-001-00	9	11	8657-301-006-20	6	3			
8597-406-200-20	9	9	8657-301-007-00	6	9			
8597-406-210-00	9	13		6	22			
8597-407-220-00	10	14	8657-301-008-00	6	24			
8597-407-230-00	10	15	8657-301-009-00	6	15			
8597-407-310-00	10	10	8657-306-002-00	7	2			
8597-407-320-00	10	11	8657-501-530-00	11	30			
8597-407-520-00	10	8	8657-501-540-00	11	27			

DESCRIPTION	REF . NO	DESCRIPTION	REF . NO	DESCRIPTION	REF . NO	DESCRIPTION	REF . NO	DESCRIPTION	REF . NO
ADAPTER (90°) ORIFICE	14	BOLT (S) M10X25	11	COLLAR/BRADE	26	GUIDE	9	COMP	9
ADAPTER (90° /PUMP)	14	BOLT (SP) M8X20	3	COLLAR/26X36X3	5	HITCH/ARM	22	COMP	13
ARM/FRONT	13	BOLT/M 8X30	3	COLLAR,THRUST	25	HOLDER/MOWER	3	COMP	12
ARM/GAUGE/LH	11	BOLT/M 8X80	9	COLLAR/26X34X15	7	HOSE/DERIVERY	5	ASSY	14
ARM/GAUGE/RH	11	BOLT/M10X20	4	COVER/BELT/LH	5A	HUB/REAR/LH	24	COMP	11
ARM/MID/LH	13	BOLT/M12X30	2	COVER/BELT/RH	3	HUB/REAR/RH	8	COMP	11
ARM/MID/RH	13	BOLT/M8X75	2	COVER/BELT/LH/F	24	HUB/17X25X18	12	COMP	6
ARM/TENSION	5	BOLT/M12X50	4	COVER/BELT/LH/G	34	HUB, BLADE	12A	COMP	6
ARM, TENTION	1	BOLT/M8X75	13	COVER/BELT/LH/G COMP	2	JOINT/UNIVERSAL	1	ASSY	1
AS YOKE	1	BOLT,SEMS	4	COVER/BELT/RH	34	JOINT/UNIVERSAL ASSY	10	ASSY	1
ASS-7	14	BOLT,SEMS (S)	4	COVER/BELT/RH COMP	14	JOINT/UNIVERSAL	10	ASSY	1
BAND, WIRE/250	6	BOLT,SEMS (S) M8X16	6	COVER/BELT/RH/F	2	JOINT/UNIVERSAL	10	ASSY	1
BEARING	6	BOLT,SEMS (S) M8X16	9	COVER/BELT/RH/F COMP	2	JOINT/UNIVERSAL	10	ASSY	1
BEARING/BALL	4	BOLT,SEMS (S) M8X16	2	COVER/BELT/RH/G	3	KEY/06X06X28	15	ASSY	5
BEARING/BALL 6205SH2	6	BRACKET/MID/RH COMP	13	COVER/BELT/RH/G COMP	5	LABEL/CE	17	ASSY	5
BEARING, RB 6005	3	BRACKET/MID/RH COMP	3	COVER/CASE	6	LABEL/CUTTING/48F	2	ASSY	15
BEARING, RB 6005	3	BRACKET/REAR/LH COMP	14	COVER/DISCHARGE	1	LABEL/DANGER	4	ASSY	15
BEARING, RB 6006	2	BRACKET/REAR/RH	13	COVER/DISCHARGE COMP	1	LABEL/DANGER/DISCHAR	9	ASSY	15
BEARING, RB/6005	4	BUSH/16X18X15	13	COVER/UNIVERSAL	12	LABEL/GAUGE/WHEEL	6	ASSY	15
BEARING, RB/6303	2	BUSH/16X24X21	13	CYLINDER ASSY	42	LABEL/MAINTENANCE	4	ASSY	15
BEARING, RB/6304	2	BUSH/22X25X25	13	DECK/MOWER/48	15	LABEL/NOISE/LWA/105	1	ASSY	15
BELT/VB092	4	BUSH/30X34X20	11	DECK/MOWER/48/F COMP	43	LABEL/PTO	1A	ASSY	15
BELT, V/B091	5	CAP/32	11	DECK/MOWER/48/G COMP	29	LABEL/WARNING/BELT	5	ASSY	15
BLADE/50X426	7	CASE/BEBVEL	10	DUST/SEAL	10A	LABEL/WARNING/HOT	7	ASSY	15
BLADE/50X429	7	CASE/LOWER	10	FITTING YOKE	1	LINK/REAR	8	ASSY	13
BLADE/50X429/C	7	CASE/UPPER	11	FORK/A	8	METAL	8	ASSY	6
BLADE/60X428	7	CASE, BRACKET COMP	2	FORK/B	31	METAL/CENTER	14	ASSY	6
BLADE/60X428/C	7	CLIP, PIN	3	FORK/WHEEL	28	METAL/SIDE	1	ASSY	6
BLOT/M10X25	3		4	FORK/WHEEL/R	2	NIPPLE, GREASE	8	ASSY	5
BOLT	4		10	GASKET	4	NUT/M 8	11	ASSY	6
BOLT (S) M10X25	6		11	GEAR/BEVEL/16-2 SET	1A	NUT/M10	3	ASSY	11
	13		12	GEAR/BEVEL/21-2 SET	20	NUT/M12	4	ASSY	12
	13		13	GEAR/BEVEL/25-1 SET	29		2	ASSY	11
	14		12	GEAR/SPUR/21	13		4	ASSY	23
	6		13	GEAR/SPUR/34	20		4	ASSY	23A
	6		13	GREASE/NIPPLE	23		4	ASSY	20
	6		13		40		1	ASSY	5
	6		13		12		1	ASSY	10

DESCRIPTION	REF . NO	DESCRIPTION	REF . NO	DESCRIPTION	REF . NO	DESCRIPTION	REF . NO	DESCRIPTION	REF . NO
NUT/M12	13	PLATE/I/100X135	3	SEAL,OIL/TC35528	26	STOPPER,PISTON	21	WASHER,SP/M14	14
NUT/M14	6	PLATE/I/25X64	9	SHAFT YOKE ASSY	13	SURCLIP/HOLE	22	WASHER,SP/M16	6
NUT/M16	7	PLATE/L/105X64	4	SHAFT/BRADE	29	TIRE/8X3.00-4	25	WASHER / M16	1
	5	PLATE/L/130X109	4	SHAFT/COUNTER	28	WASHER / M12	3		11
	11	PLATE/L/60X62	4	SHAFT/INPUT	28A		38		12
	13	PLATE/L/60X65	2	SHAFT/OUTPUT	23		13		14
	7	PLATE/L/65XX55	2	SHIM/0.1	25		13A		5
	10	PLATE/L/75X65	9		11		11		11
	10	PLATE/STAY	2		22		12		12
	11	PLUG/SCREW	4		35		8A		11
	11	PLUG, DRAIN (1/4)	3		4		4		12
	9	PULLEY COMP	2		2		4		13
	9	PULLEY/VB125	4		2		12		41
	11	PULLY/VB120	5		11		12		6
	2	RING/SNAP	5		7		3		7
	12		5		11		3		2
	12		5		40		7		8
	12		6		6		1		3
	4		6		27		1		11
	11		2		9		2		2
	11		2		20		15		4
	11		3		15		17		33
	11		4		10A		17		33
	11		4		27		19		6
	11		4		10		17		4
	13		6		28		18		6
	14		6		13		18		37
	11		5		12		14		24
	13		5		13		15		32
	12		6		31		16		35
	11		6		10		16		3
	8		4		6		3		6
	13		4		6		9		7
	13		6		19		23		11
	12		14		7		17		16
	11		5		17		20		11
	12		9		15		2		10
	12		2		10		1		30
	11		4		9A		11		17
	8		4		9B		9		21
	11		4		26		3		42
	13		6		7		6		11
	13		6		20		10		11
	1		3		8		16		1
	1		4		9		6		1
	31		2		21		24		1
	6		2		16		1		1
	15		3		5		9		1
	14		6		8		2		1
	3		2		528		2		1