

Directions for use of Parts Catalogue

1. Applicable model of machines

All component and option parts used for SG15H lawn & garden tractorst are listed in this parts catalogue.

Description of type of machines and particulars

| TYPE Of Machines | Section | DESTINATION | Engine | |
|------------------|---------|-------------|----------|------------|
| | | | E262 - G | E262 - G01 |
| SG15H | 48C | JAPAN | ○ | |
| | 48E20 | GERMANY | ○ | |
| | 48E20S | GERMANY | | ○ |
| | 48E40 | U.K | ○ | |
| | 48E40S | U.K | | ○ |
| | 48E50 | FRANCE | ○ | |
| | 48E50S | FRANCE | | ○ |
| | 48E50T | ITALY | ○ | |
| | 48R | JAPAN | ○ | |
| | 48RE40 | U.K | ○ | |
| | 48RE40S | U.K | | ○ |
| | 48RE50 | FRANCE | ○ | |
| | 48RE50S | FRANCE | | ○ |
| | E40 | U.K | ○ | |
| | E40S | U.K | | ○ |

2. Explanation for head paragraph

| KEY | PART CODE | DESCRIPTION | QTY | TYPE OF MODEL | | | | | | I T C | C O L | G R P | REMARKS |
|-----|-----------------|----------------------|-----|---------------|------|---------------|-------------|--|--|-------------|-------------|-------------|----------|
| | | | | TF15 | TF17 | TF19 | | | | | | | |
| 126 | 1614-508-200-00 | FILTER(SUCTION) ASSY | 1 | | * | | | | | | | 4E | |
| 127 | V721-103-103-50 | O-RING | 1 | | * | | | | | | | | |
| 128 | 1614-508-260-00 | FILTER(SUCTION) ASSY | 1 | | * | 981- -1799 | | | | | | | |
| 129 | 1614-508-262-00 | FILTER(LH) | 1 | * | * | * | | | | | | | FIG. 164 |
| | | ASSY | 1 | * | * | * | | | | | | 4E | A |
| | | | 1 | * | * | * | 1- -1999 | | | | | 3 | |

①

②

③

④

⑤

⑥

⑦

⑧

⑨

⑩

- ① KEY shows the location of parts diagramed in the illustration.
- ② Parts numbers begin with `V` and `W` are standard parts of the market.

- ③ `LH` and `RH` on the parts name are described against the moving direction of the machine or are described on the condition how to install parts on the machines.
- ④ QTY shows the number of parts to be used for one unit of machine.
 `M` is indicated for parts supplied by a meter long.
 `ℓ` is indicated for parts supplied by liter.
 `AR` is indicated for parts need to be adjusted or regulated.
- ⑤ The following symbol classifies parts to be used for machines.
 `*` means standard parts.
 `T` shows that the parts can be installed as optional parts.
 `R` shows that the parts can be used as applicable parts to replace originally equipped parts.
- ⑥ Serial number : upper row shows the serial number for the first product and lower row for the last product.
 Example : Serial no. 1 through to serial no. 1999.
- ⑦ ITC : Interchangeability
 `1` ...OLD ← NEW
 New parts can be used in place of the old parts.
 `2` ...OLD → NEW
 Old parts can be used in place of the new parts.
 `3` ...OLD →← NEW
 Old parts and new parts can not be replaced each other.
- ⑧ COL : Color code
 Color is signified with color code number for colored parts.
 Please see the color list shown in the next page.
- ⑨ GRP : Parts shown in this column can be replaced by SET parts.
 Exsample : Parts marked Ⓐ can be replaced by parts marked Ⓑ, and Ⓓ for Ⓒ, so the rest follow in the same alphabetical order.
- ⑩ Remarks
 * Other maker's part code number is shown in this column.
 * When Fig. No. is shown in the Remark column of SET parts or ASSY parts, each of their component parts are listed in said Fig. No.

3. Color :

The following colors are used for color parts.

| COLOR CODE | C O L O R | SPRAY TYPE CODE NUMBER | PAINTS 4K DRUM | PAINTS 16K DRUM |
|------------|---------------|------------------------|-----------------|-----------------|
| 4 G | GRYSTAL BLUE | 1300-957-001-10 | 1300-957-003-00 | 1300-957-004-00 |
| 5 I | SUNESSET GRAY | 1300-959-001-10 | 1300-959-003-00 | 1300-959-004-00 |
| 6 G | SUMMER WHITE | 1300-958-001-00 | 1300-958-003-00 | 1300-958-004-00 |
| 7 F | MIRROR BLACK | 1300-954-001-10 | 1300-954-003-00 | 1300-954-004-00 |

NOTE : Color code is signified only for the parts assigned by the maker as color parts.

4. Serial Numbers :

- 1) For engines serial number is stamped on CYLINDER BLOCK ASSY.

Please see Fig.No. 5 - 1.

- 2) For chassies serial number is shown on the LABEL.

Please see



5. Parts Order

- 1) Parts numbers listed in the parts catalogue are all registered in "ISEKI on-line computer".
- 2) When you order parts, please make sure of correct numbers.
- 3) When substitute parts is available, the part number ordered will be automatically turned to a new part number.
- 4) Please be sure to use "ISEKI GENUINE PARTS".

Any other similar parts other than ISEKI parts when used may cause a trouble that makes us unable to repair or guarantee the warrant.

P. 1 *** STRUCTURE TABLE OF MODEL ***

| M O D E L | S | | | | | | | | | | |
|-----------------------|--|--|--|------------------|--|--|--|--|--|--|--|
| | 14444 58888 HCEEE 224 000 S | 44444 88888 EEEE 4555 0000 S ST | 4444E 88884 RRRRO EEEE 4455 0000 S S | E 4 0 S | | | | | | | |
| FIG | | | | | | | | | | | |
| 1 | **** | ***** | ***** | * | | | | | | | |
| 2 | **** | ***** | ***** | * | | | | | | | |
| 3 | **** | ***** | ***** | * | | | | | | | |
| 4 | **** | ***** | ***** | * | | | | | | | |
| 5 | **** | ***** | ***** | * | | | | | | | |
| 6 | *** | **** | ***** | * | | | | | | | |
| 7 | * | * | | | | | | | | | |
| 8 | **** | ***** | ***** | * | | | | | | | |
| 9 | **** | ***** | ***** | * | | | | | | | |
| 10 | **** | ***** | ***** | * | | | | | | | |
| 11 | **** | ***** | ***** | * | | | | | | | |
| 12 | **** | ***** | ***** | * | | | | | | | |
| 13 | **** | ***** | ***** | * | | | | | | | |
| 14 | **** | ***** | ***** | * | | | | | | | |
| 15 | **** | ***** | ***** | * | | | | | | | |
| 16 | **** | ***** | ***** | * | | | | | | | |
| 17 | **** | ***** | ***** | * | | | | | | | |
| 18 | **** | ***** | ***** | * | | | | | | | |
| 19 | **** | ***** | ***** | * | | | | | | | |
| 20 | **** | ***** | ***** | * | | | | | | | |
| 21 | **** | ***** | ***** | * | | | | | | | |
| 22 | **** | ***** | ***** | * | | | | | | | |
| 23 | *TTT | TTTT | T | T | | | | | | | |
| 24 | *TTT | TTTT | T | T | | | | | | | |
| 25 | *TTT | TTTT | T | T | | | | | | | |
| 26 | TTTT | TTTTT | TTTTT | T | | | | | | | |
| 27 | **** | ***** | ***** | * | | | | | | | |
| 28 | **** | ***** | ***** | * | | | | | | | |
| 29 | **** | ***** | ***** | * | | | | | | | |
| 30 | **** | ***** | ***** | * | | | | | | | |
| 31 | **** | ***** | ***** | * | | | | | | | |
| 32 | **** | ***** | ***** | * | | | | | | | |
| 33 | **** | ***** | ***** | * | | | | | | | |
| 34 | **** | ***** | ***** | * | | | | | | | |
| 35 | **** | ***** | ***** | * | | | | | | | |
| 36 | **** | ***** | ***** | * | | | | | | | |
| 37 | **** | ***** | ***** | * | | | | | | | |
| 38 | **** | ***** | ***** | * | | | | | | | |
| 39 | **** | ***** | ***** | * | | | | | | | |
| 40 | **** | ***** | ***** | * | | | | | | | |
| 41 | * * * | * * * | * * * | * | | | | | | | |
| 42 | * | * * | * * | * | | | | | | | |
| 43 | T | T | | | | | | | | | |
| 44 | **** | ** ** | * * * | * | | | | | | | |
| 45 | * | * * | * * | * | | | | | | | |

CONTENTS

SG15

ENGINE (E262-G)

| | |
|-------------------------------------|---------|
| CYLINDER HEAD | Fig. 1 |
| CYLINDER HEAD COVER | Fig. 2 |
| INLET MANIFOLD | Fig. 3 |
| EXHAUST MANIFOLD | Fig. 4 |
| CYLINDER BLOCK | Fig. 5 |
| BEARING/UNDER SIZE (OPTION) | Fig. 6 |
| OIL PAN..... | Fig. 7 |
| REAR PLATE | Fig. 8 |
| TIMING GEAR CASE | Fig. 9 |
| HANGER | Fig. 10 |
| VALVE | Fig. 11 |
| CAM SHAFT | Fig. 12 |
| PISTON | Fig. 13 |
| PISTON/OVER SIZE (OPTION) | Fig. 14 |
| CRANK SHAFT | Fig. 15 |
| OIL PUMP | Fig. 16 |
| WATER PUMP | Fig. 17 |
| COOLING FAN..... | Fig. 18 |
| INJECTION NOZZLE | Fig. 19 |
| INJECTION PUMP | Fig. 20 |
| FUEL PIPE | Fig. 21 |
| ELECTRIC (1) | Fig. 22 |
| ELECTRIC (2) | Fig. 23 |
| REPAIR KIT | Fig. 24 |
| 6 2 1 5 - 3 0 0 - 0 0 5 - 0 0 | Fig. 25 |
| 6 2 1 5 - 6 0 0 - 0 5 7 - 0 0 | Fig. 26 |
| 6 2 8 1 - 1 0 0 - 0 0 3 - 0 0 | Fig. 27 |
| 6 2 8 1 - 2 0 0 - 0 0 7 - 0 0 | Fig. 28 |

CONTENTS

SG15-S

ENGINE (E262-G01)

| | |
|-------------------------------------|---------|
| CYLINDER HEAD | Fig. 1 |
| CYLINDER HEAD COVER | Fig. 2 |
| INLET MANIFOLD | Fig. 3 |
| EXHAUST MANIFOLD | Fig. 4 |
| CYLINDER BLOCK | Fig. 5 |
| BEARING/UNDER SIZE (OPTION) | Fig. 6 |
| OIL PAN..... | Fig. 7 |
| REAR PLATE | Fig. 8 |
| TIMING GEAR CASE | Fig. 9 |
| HANGER | Fig. 10 |
| VALVE | Fig. 11 |
| CAM SHAFT | Fig. 12 |
| PISTON | Fig. 13 |
| PISTON/OVER SIZE (OPTION) | Fig. 14 |
| CRANK SHAFT | Fig. 15 |
| OIL PUMP | Fig. 16 |
| WATER PUMP | Fig. 17 |
| COOLING FAN..... | Fig. 18 |
| INJECTION NOZZLE | Fig. 19 |
| INJECTION PUMP | Fig. 20 |
| FUEL PIPE | Fig. 21 |
| ELECTRIC (1) | Fig. 22 |
| ELECTRIC (2) | Fig. 23 |
| REPAIR KIT | Fig. 24 |
| 6 2 1 5 - 3 0 0 - 0 0 5 - 0 0 | Fig. 25 |
| 6 2 1 5 - 6 0 0 - 0 5 7 - 0 0 | Fig. 26 |
| 6 2 8 1 - 1 0 0 - 0 0 3 - 0 0 | Fig. 27 |
| 6 2 8 1 - 2 0 0 - 0 1 6 - 0 0 | Fig. 28 |

CONTENTS

CHASSIS

| | |
|---|---------|
| BRACKET (ENGINE) SYSTEM | Fig. 1 |
| RADIATOR SYSTEM | Fig. 2 |
| MUFFLER SYSTEM | Fig. 3 |
| AIR CLEANER SYSTEM | Fig. 4 |
| FILTER (FUEL) and HOSE (FUEL) SYSTEM | Fig. 5 |
| BATTERY SYSTEM (E TYPE) | Fig. 6 |
| BATTERY SYSTEM (EXCEPT E TYPE) | Fig. 7 |
| ACCELERATOR SYSTEM | Fig. 8 |
| JOINT (UNIVERSAL) and FAN (HST) SYSTEM | Fig. 9 |
| TRANSMISSION SYSTEM | Fig. 10 |
| GEAR (INPUT) SYSTEM | Fig. 11 |
| HST SYSTEM (1) | Fig. 12 |
| HST SYSTEM (2) | Fig. 13 |
| HST SYSTEM (3) | Fig. 14 |
| HST SYSTEM (4) | Fig. 15 |
| HST SYSTEM (5) | Fig. 16 |
| HST (UNLOAD) SYSTEM | Fig. 17 |
| CASE (DIFF) and SHAFT (WHEEL) SYSTEM | Fig. 18 |
| BRAKE SYSTEM | Fig. 19 |
| ARM (BRAKE) SYSTEM | Fig. 20 |
| TIRE (REAR) SYSTEM | Fig. 21 |
| LEVER (P.T.O.) and BRACKET (P.T.O./F) SYSTEM | Fig. 22 |
| SHAFT (JOINT/P.T.O.) and METAL (REAR/P.T.O.) SYSTEM (C TYPE - STANDARD • EXCEPT C,R TYPE - OPTION) | Fig. 23 |
| LEVER (P.T.O.) SYSTEM (C TYPE - STANDARD • EXCEPT C,R TYPE - OPTION) | Fig. 24 |
| CASE (P.T.O.) and SHAFT (INPUT/P.T.O.) SYSTEM (C TYPE - STANDARD • EXCEPT C,R TYPE - OPTION) | Fig. 25 |
| HITCH (REAR) SET (OPTION) | Fig. 26 |
| CHASSIS SYSTEM | Fig. 27 |

| | |
|---|---------|
| AXLE (FRONT) SYSTEM | Fig. 28 |
| ARM (KNUCKLE) and ARM (PITMAN) SYSTEM | Fig. 29 |
| POST (STEERING) and WHEEL (STEERING) SYSTEM | Fig. 30 |
| CASE (STEERING) and SHAFT (STEERING) SYSTEM | Fig. 31 |
| TIRE (FRONT) SYSTEM | Fig. 32 |
| LINK and LIFT SYSTEM | Fig. 33 |
| ARM (LIFT,CONTROL) and COVER (P.T.O.) SYSTEM | Fig. 34 |
| HOOD (A) and COVER (FRONT) SYSTEM | Fig. 35 |
| COVER (LOWER) nad HOOD (B) SYSTEM | Fig. 36 |
| FENDER SYSTEM | Fig. 37 |
| SEAT SYSTEM | Fig. 38 |
| FUEL TANK and STEP SYSTEM | Fig. 39 |
| PANEL (INSTRUMENT) SYSTEM | Fig. 40 |
| ELECTRICAL SYSTEM (EXCEPT S TYPE) | Fig. 41 |
| ELECTRICAL SYSTEM (S TYPE) | Fig. 42 |
| LAMP (HEAD) SET and MATER (HOUR) SET (EXCEPT E TYPE)(OPTION) | Fig. 43 |
| ORNAMENT (EXCEPT S TYPE) | Fig. 44 |
| ORNAMENT (S TYPE) | Fig. 45 |
| MARK and KIT (OPTION) | Fig. 46 |
| LABEL | Fig. 47 |
| BUMPER WEIGHT (OPTION) and TOOL | Fig. 48 |

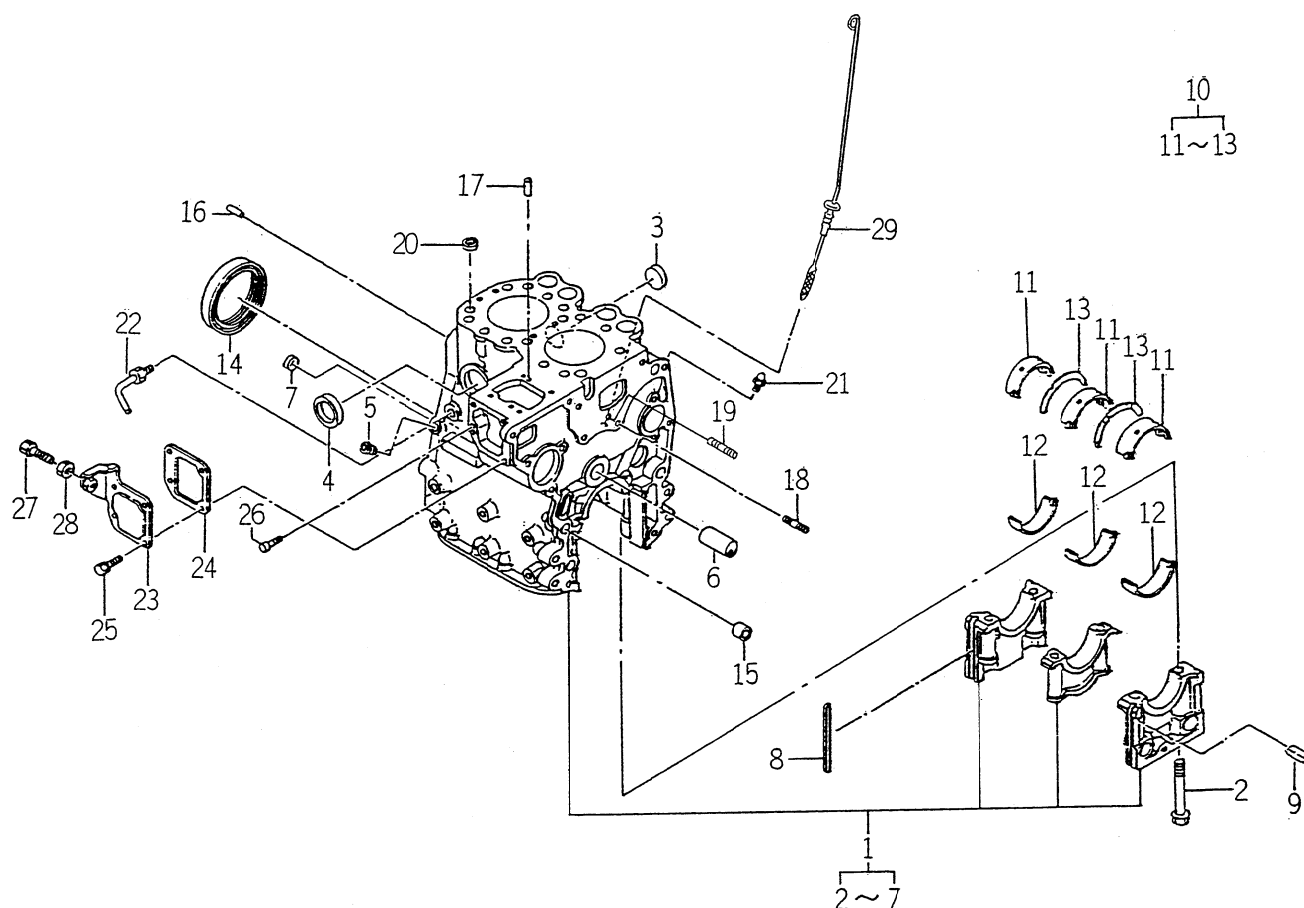
WIRING DIAGRAM/SG15

WIRING DIAGRAM/SG15 - S

ENGINE

E262 – G...SG15

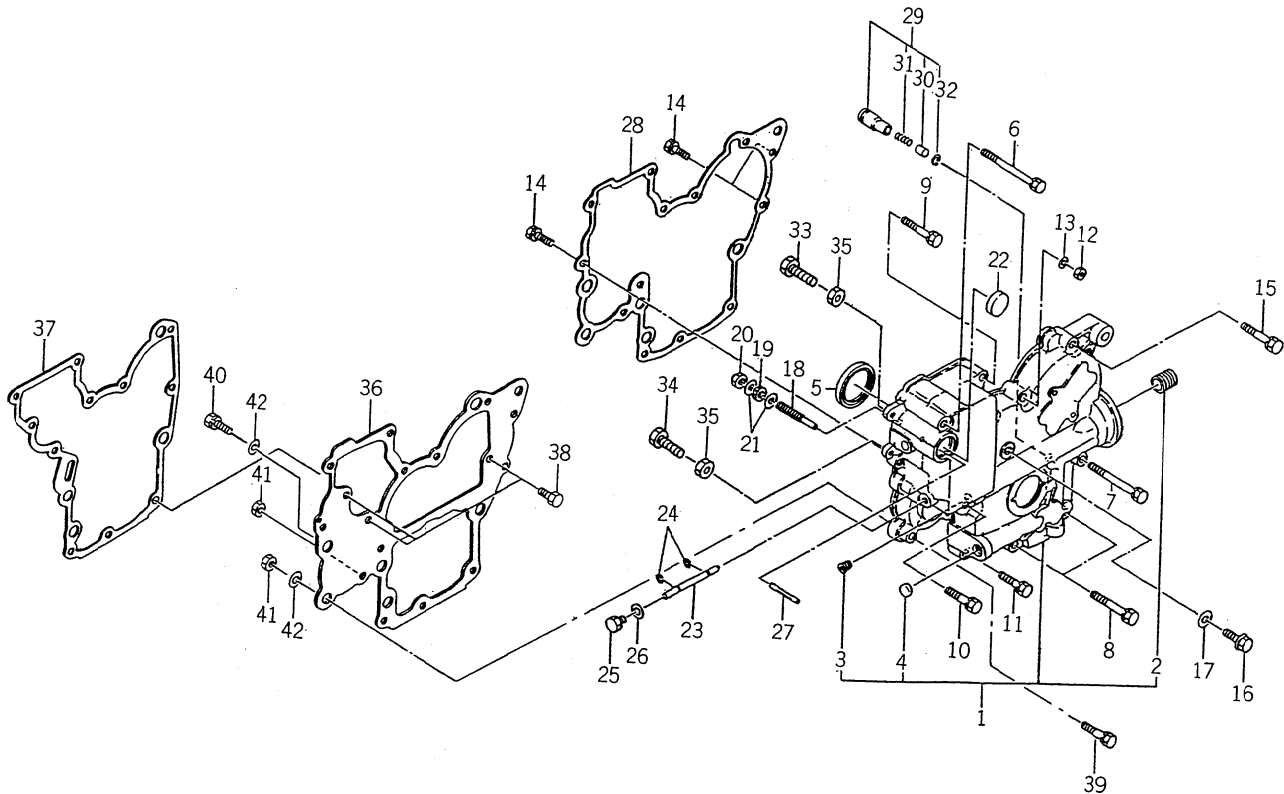
FIG. 5 CYLINDER BLOCK



6003-201L

| KEY | PART CODE | DESCRIPTION | QTY | TYPE OF MODEL | | I T C | C O L | G R P | REMARKS |
|-----|-----------------------|----------------------|-----|---------------|--|-------------|-------------|-------------|---------|
| | | | | E262-G | | | | | |
| 1 | 6211 - 210 - 021 - 10 | CYLINDERBLOCK ASSY | 1 | * | | | | | |
| 2 | 6209 - 000 - 004 - 00 | BOLT | 6 | * | | | | | |
| 3 | 6209 - 610 - 001 - 00 | CAP,SEALING | 1 | * | | | | | |
| 4 | 6911 - 219 - 195 - 00 | CAP,SEALING | 3 | * | | | | | |
| 5 | 6509 - 605 - 019 - 10 | PLUG | 2 | * | | | | | |
| 6 | 6212 - 531 - 005 - 10 | PIN/IDLEGEAR | 1 | * | | | | | |
| 7 | 6911 - 129 - 083 - 00 | CAP,SEALING | 1 | * | | | | | |
| 8 | 6211 - 258 - 001 - 00 | SEAL,BEARING CAP | 4 | * | | | | | |
| 9 | 6211 - 258 - 002 - 00 | SEAL,BEARING CAP/7 | 2 | * | | | | | |
| 10 | 6211 - 510 - 002 - 00 | METAL,CRANK | 1 | * | | | | | |
| 11 | 6211 - 511 - 003 - 00 | BEARING/CRANK/UPPER | 3 | * | | | | | |
| 12 | 6211 - 511 - 004 - 00 | BEARING/CRANK/LOWER | 3 | * | | | | | |
| 13 | 6211 - 599 - 001 - 10 | BEARING,THRUST CRANK | 2 | * | | | | | |
| 14 | 6209 - 625 - 001 - 00 | SEAL,OIL | 1 | * | | | | | |
| 15 | 6209 - 749 - 001 - 10 | PIN,TUBE | 2 | * | | | | | |
| 16 | 6908 - 160 - 816 - 00 | PIN | 2 | * | | | | | |
| 17 | 6908 - 160 - 510 - 00 | PIN | 2 | * | | | | | |
| 18 | 6904 - 110 - 840 - 00 | STUD/M8X40 | 1 | * | | | | | |
| 19 | 6904 - 110 - 818 - 00 | STUD | 1 | * | | | | | |
| 20 | 6894 - 453 - 344 - 00 | DOWEL | 2 | * | | | | | |
| 21 | 6909 - 902 - 299 - 00 | NIPPLE | 1 | * | | | | | |
| 22 | 6213 - 721 - 001 - 00 | PIPE,WATER DRAIN | 1 | * | | | | | |
| 23 | 6211 - 291 - 001 - 10 | COVER,INJ PUMP | 1 | * | | | | | |
| 24 | 6211 - 292 - 001 - 20 | GASKET/COVER | 1 | * | | | | | |
| 25 | 6901 - 910 - 612 - 00 | BOLT,SEMS/M6X12 | 4 | * | | | | | |

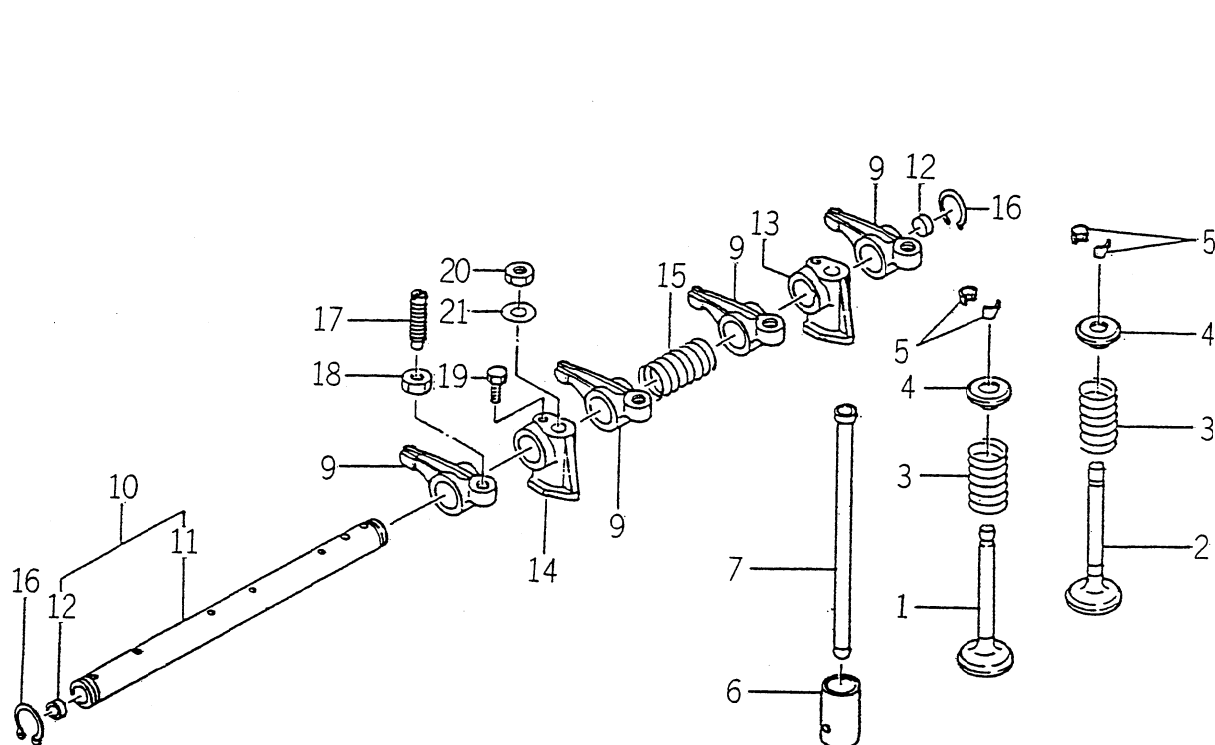
FIG. 9 TIMING GEAR CASE



6003-240C

| KEY | PART CODE | DESCRIPTION | QTY | TYPE OF MODEL | | | REMARKS |
|-----|-----------------------|----------------------|-----|---------------|-------|-------|---------|
| | | | | E262-G | I T C | C O L | |
| 1 | 6211 - 310 - 006 - 20 | GEARCASE ASSY | 1 | * | | | |
| 2 | 6213 - 319 - 001 - 00 | CONNECTOR,OIL FILTER | 1 | * | | | |
| 3 | 6509 - 605 - 019 - 10 | PLUG | 3 | * | | | |
| 4 | 6209 - 610 - 002 - 10 | CUP/SEALING/16 | 1 | * | | | |
| 5 | 6209 - 625 - 002 - 00 | SEAL,OIL | 1 | * | | | |
| 6 | 6209 - 030 - 005 - 00 | BOLT/M8X85 | 1 | * | | | |
| 7 | 6209 - 030 - 006 - 00 | BOLT/M8X75 | 1 | * | | | |
| 8 | 6509 - 000 - 084 - 00 | BOLT/L = 55 | 2 | * | | | |
| 9 | 6509 - 030 - 037 - 00 | BOLT | 2 | * | | | |
| 10 | 6901 - 910 - 840 - 00 | BOLT | 1 | * | | | |
| 11 | 6901 - 910 - 835 - 00 | BOLT,SEMS/M8X35 | 1 | * | | | |
| 12 | 6909 - 110 - 508 - 00 | NUT/M8 | 1 | * | | | |
| 13 | 6909 - 150 - 508 - 00 | WASHER | 1 | * | | | |
| 14 | V211 - 560 - 802 - 00 | BOLT/M8X20 | 3 | * | | | |
| 15 | 6901 - 910 - 845 - 00 | BOLT,SEMS/M8X45 | 1 | * | | | |
| 16 | 6209 - 046 - 001 - 00 | BOLT/M8X30 | 1 | * | | | |
| 17 | 6909 - 920 - 843 - 00 | PACKING | 1 | * | | | |
| 18 | 6215 - 546 - 001 - 00 | STOPPER,FULL - LOAD | 1 | * | | | |
| 19 | 6209 - 409 - 001 - 00 | NUT/M8 | 1 | * | | | |
| 20 | V341 - 120 - 008 - 00 | NUT,CAP/M 8 | 1 | * | | | |
| 21 | 6909 - 920 - 843 - 00 | PACKING | 2 | * | | | |
| 22 | 3625 - 540 - 004 - 00 | CAP,BLANK/30 | 1 | * | | | |
| 23 | 6215 - 542 - 001 - 10 | PIN/ARM | 1 | * | | | |
| 24 | V710 - 140 - 004 - 00 | RING,SNAP/ 4 E | 2 | * | | | |
| 25 | 6909 - 202 - 308 - 00 | PLUG | 1 | * | | | |

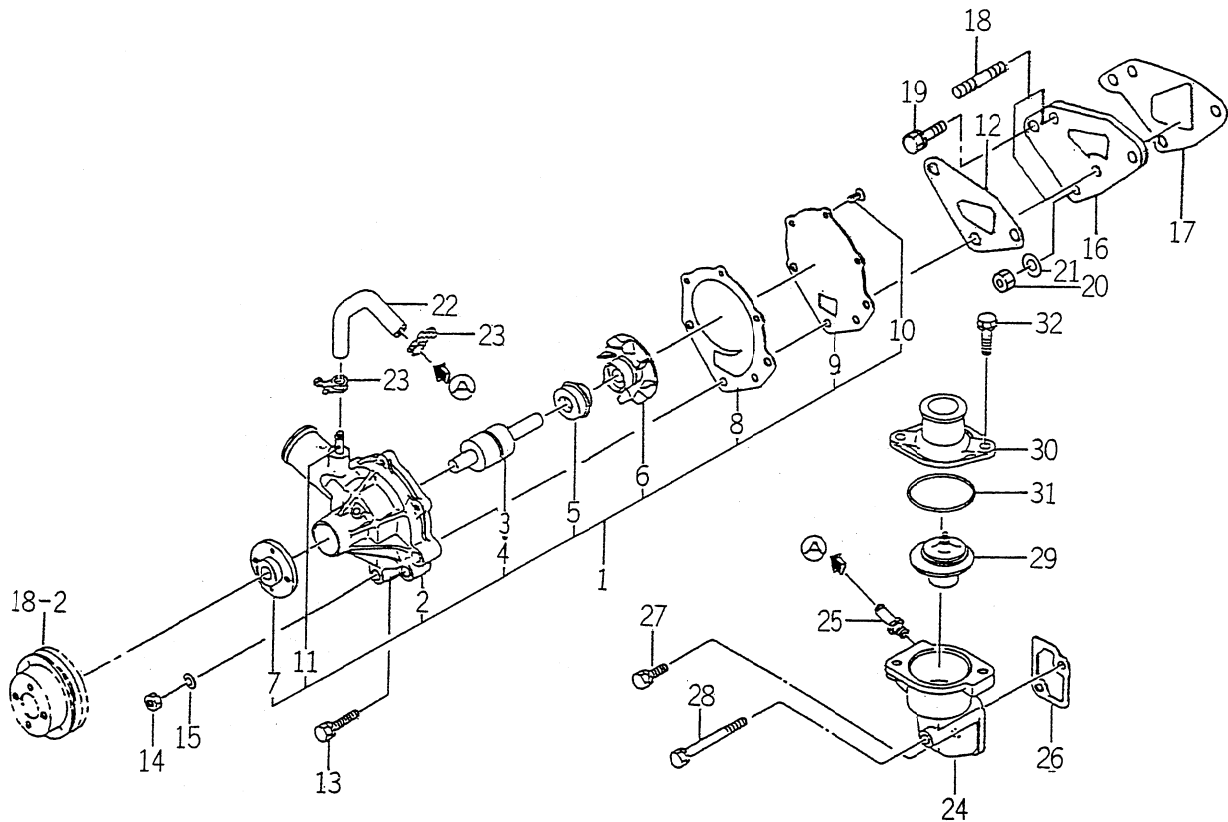
FIG. 11 VALVE



6003-301A

| KEY | PART CODE | DESCRIPTION | QTY | TYPE OF MODEL | | I T C | C O L | G R P | REMARKS |
|-----|-----------------------|-----------------------|-----|---------------|--|-------------|-------------|-------------|---------|
| | | | | E262-G | | | | | |
| 1 | 6212 - 551 - 001 - 00 | VALVE,INTAKE | 2 | * | | | | | |
| 2 | 6212 - 552 - 001 - 00 | VALVE,EXHAUST | 2 | * | | | | | |
| 3 | 6212 - 561 - 001 - 00 | SPRING,VALVE | 4 | * | | | | | |
| 4 | 6212 - 563 - 001 - 00 | SEAT,VALVE SPRING | 4 | * | | | | | |
| 5 | 6212 - 565 - 001 - 00 | CUTTER,VALVE | 8 | * | | | | | |
| 6 | 6212 - 571 - 001 - 10 | TAPPET | 4 | * | | | | | |
| 7 | 6212 - 575 - 001 - 00 | ROD,PUSH | 4 | * | | | | | |
| 8 | 6212 - 600 - 003 - 00 | SHAFT,ROCKER | 1 | * | | | | | |
| 9 | 6212 - 611 - 004 - 10 | ROCKERARM | 4 | * | | | | | |
| 10 | 6212 - 620 - 002 - 10 | SHAFT,ROCKER ARM ASSY | 1 | * | | | | | |
| 11 | 6212 - 621 - 003 - 10 | SHAFT/ROCKERARM | 1 | * | | | | | |
| 12 | 6212 - 626 - 002 - 10 | PLUG | 2 | * | | | | | |
| 13 | 6212 - 628 - 004 - 00 | BRACKET ROCKER SHAFT | 1 | * | | | | | |
| 14 | 6212 - 628 - 005 - 00 | BRACKET,ROCKER SHAFT | 1 | * | | | | | |
| 15 | 6209 - 940 - 004 - 00 | SPRING | 1 | * | | | | | |
| 16 | V704 - 140 - 016 - 00 | RING,SNAP/16 C | 2 | * | | | | | |
| 17 | 6212 - 616 - 002 - 00 | SCREW ADJUST | 4 | * | | | | | |
| 18 | 6209 - 409 - 003 - 00 | NUT | 4 | * | | | | | |
| 19 | 6209 - 000 - 002 - 00 | BOLT | 1 | * | | | | | |
| 20 | 6909 - 110 - 508 - 00 | NUT/M8 | 2 | * | | | | | |
| 21 | 6909 - 164 - 508 - 00 | WASHER,PL/M8 | 2 | * | | | | | |

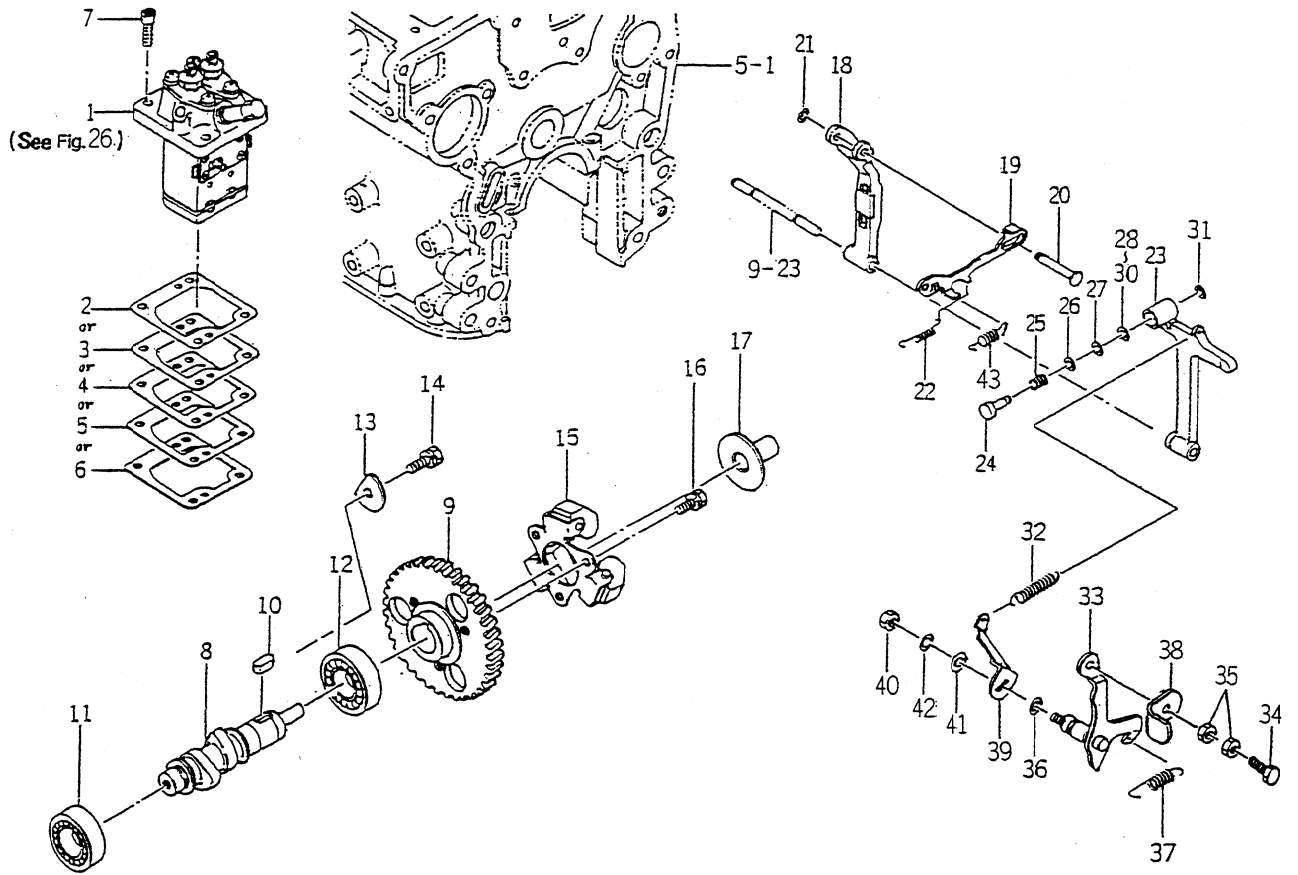
FIG. 17 WATER PUMP



6003-420B

| KEY | PART CODE | DESCRIPTION | QTY | TYPE OF MODEL | | I T C | C O L | G R P | REMARKS |
|-----|-----------------------|----------------------|-----|---------------|--|-------------|-------------|-------------|---------|
| | | | | E262-G | | | | | |
| 1 | 6213 - 610 - 005 - 30 | WATERPUMP ASSY | 1 | * | | | | | |
| 2 | 6213 - 611 - 003 - 20 | BODY/WATERPUMP | 1 | * | | | | | |
| 3 | 6213 - 631 - 002 - 00 | BEARING/WATER PUMP | 1 | * | | | | | |
| 4 | 6213 - 631 - 005 - 00 | BEARING/WATERPUMP | 1 | * | | | | | |
| 5 | 6213 - 622 - 002 - 10 | SEAL SET/WATER PUMP | 1 | * | | | | | |
| 6 | 6213 - 621 - 003 - 00 | ROTOR/WATERPUMP | 1 | * | | | | | |
| 7 | 6213 - 642 - 002 - 00 | SEAL/WATER PUMPPULLE | 1 | * | | | | | |
| 8 | 6213 - 613 - 002 - 10 | GASKET | 1 | * | | | | | |
| 9 | 6213 - 612 - 004 - 00 | PLATE/WATER PUMP | 1 | * | | | | | |
| 10 | 6213 - 619 - 003 - 00 | SCREW/WATER PUMP | 3 | * | | | | | |
| 11 | 6213 - 619 - 002 - 00 | PIPE/WATER PUMP | 1 | * | | | | | |
| 12 | 6213 - 614 - 003 - 10 | GASKET/WATER PUMP | 1 | * | | | | | |
| 13 | 6901 - 910 - 845 - 00 | BOLT,SEMS/M8X45 | 1 | * | | | | | |
| 14 | 6909 - 110 - 508 - 00 | NUT/M8 | 2 | * | | | | | |
| 15 | 6909 - 150 - 508 - 00 | WASHER | 2 | * | | | | | |
| 16 | 6213 - 619 - 005 - 00 | SPACER,WATER PUMP | 1 | * | | | | | |
| 17 | 6213 - 614 - 006 - 10 | GASKET/SPACER | 1 | * | | | | | |
| 18 | 6209 - 300 - 002 - 00 | STUD | 2 | * | | | | | |
| 19 | V211 - 560 - 802 - 00 | BOLT/M8X20 | 1 | * | | | | | |
| 20 | 6909 - 110 - 508 - 00 | NUT/M8 | 1 | * | | | | | |
| 21 | 6909 - 150 - 508 - 00 | WASHER | 1 | * | | | | | |
| 22 | 6213 - 729 - 001 - 00 | HOSE,RUBBER | 1 | * | | | | | |
| 23 | J061 - 210 - 015 - 00 | CLAMP/WIRE/10 - 15 | 2 | * | | | | | |
| 24 | 6213 - 716 - 001 - 40 | HOUSING/THERMOSTAT | 1 | * | | | | | |
| 25 | 6213 - 721 - 003 - 00 | PIPE,PUMP HOUSING | 1 | * | | | | | |

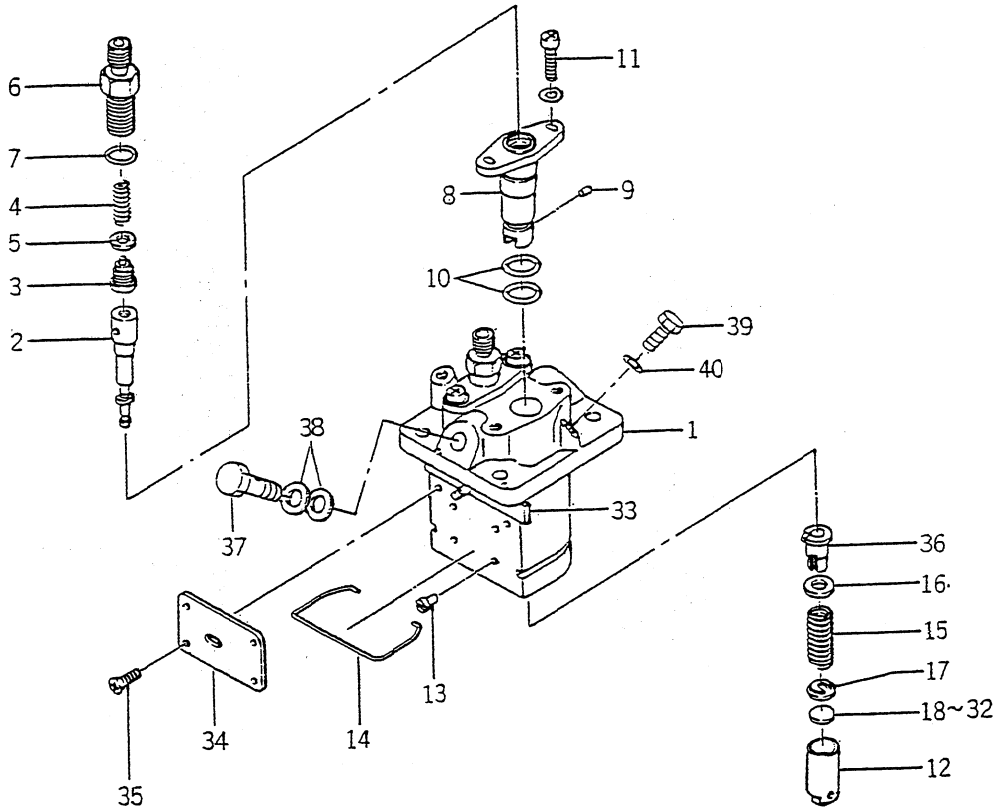
FIG. 20 INJECTION PUMP



6003-510F

| KEY | PART CODE | DESCRIPTION | QTY | TYPE OF MODEL | | I T C | C O L | G R P | REMARKS |
|-----|-----------------------|----------------------|-----|---------------|--|-------------|-------------|-------------|---------|
| | | | | E252-G | | | | | |
| 1 | 6215 - 600 - 057 - 00 | PUMP,INJ ASSY | 1 | * | | | | | FIG 026 |
| 2 | 6219 - 752 - 011 - 00 | SHIM,INJ PUMP | 1 | * | | | | | |
| 3 | 6219 - 752 - 012 - 00 | SHIM,INJ PUMP | 1 | * | | | | | |
| 4 | 6219 - 752 - 013 - 00 | SHIM,INJ PUMP | 1 | * | | | | | |
| 5 | 6219 - 752 - 014 - 00 | SHIM,INJ PUMP | 1 | * | | | | | |
| 6 | 6219 - 752 - 015 - 00 | SHIM/INJECTION PUMP | 1 | * | | | | | |
| 7 | 6209 - 056 - 001 - 00 | BOLT/M6X18 | 4 | * | | | | | |
| 8 | 6215 - 621 - 004 - 10 | SHAFT,CAM/INJ.PUMP | 1 | * | | | | | |
| 9 | 6212 - 524 - 002 - 00 | GEAR,INJ PUMP | 1 | * | | | | | |
| 10 | 6908 - 000 - 716 - 00 | KEY | 1 | * | | | | | |
| 11 | V600 - 110 - 620 - 30 | BEARING,RB/6203 | 1 | * | | | | | |
| 12 | V600 - 110 - 600 - 40 | BEARING,RB/6004 | 1 | * | | | | | |
| 13 | 6212 - 535 - 002 - 00 | PLATE,THRUST INJPUMP | 1 | * | | | | | |
| 14 | 6901 - 910 - 612 - 00 | BOLT,SEMS/M6X12 | 1 | * | | | | | |
| 15 | 6215 - 520 - 001 - 00 | FLYWEIGHT | 1 | * | | | | | |
| 16 | 6209 - 030 - 043 - 00 | BOLT/M6X10 | 3 | * | | | | | |
| 17 | 6215 - 526 - 001 - 10 | PIECE,THRUST | 1 | * | | | | | |
| 18 | 6215 - 541 - 001 - 00 | ARM,FLOATING | 1 | * | | | | | |
| 19 | 6215 - 543 - 003 - 20 | LINK/CONTROL | 1 | * | | | | | |
| 20 | 6215 - 542 - 002 - 00 | PIN,CONTROL LINK | 1 | * | | | | | |
| 21 | V710 - 140 - 004 - 00 | RING,SNAP/ 4 E | 1 | * | | | | | |
| 22 | 6215 - 549 - 003 - 00 | SPRING,SETTING | 1 | * | | | | | |
| 23 | 6215 - 541 - 002 - 10 | ARM,TENSION | 1 | * | | | | | |
| 24 | 6215 - 549 - 004 - 10 | PIN,ADAPTER | 1 | * | | | | | |
| 25 | 6215 - 536 - 001 - 00 | SPRING,ADAPTER | 1 | * | | | | | |

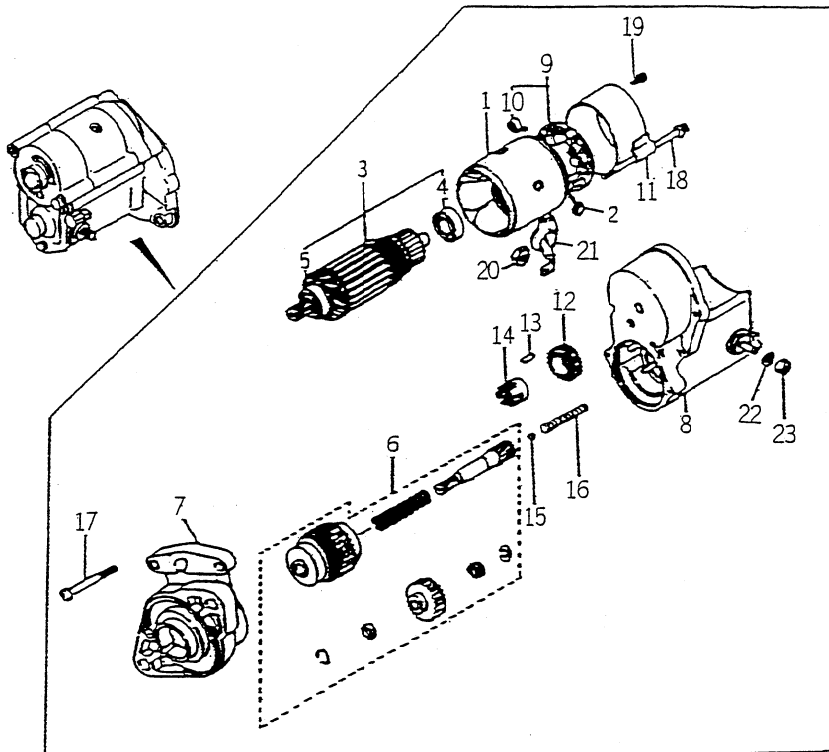
FIG. 26 6215 - 600 - 057 - 00



6003-510F

| KEY | PART CODE | DESCRIPTION | QTY | TYPE OF MODEL | | I T C | C O L | G R P | REMARKS |
|-----|-----------------------|------------------------|-----|---------------|--|-------------|-------------|-------------|---------|
| | | | | E262-G | | | | | |
| 1 | 6215 - 611 - 003 - 00 | HOUSING PUMP | 1 | * | | | | | |
| 2 | 6215 - 631 - 004 - 00 | PLUNGER ASSY | 2 | * | | | | | |
| 3 | 6215 - 641 - 002 - 00 | VALVE, DELIVERY | 2 | * | | | | | |
| 4 | 6215 - 643 - 003 - 00 | SPRING, DELIVERY VALVE | 2 | * | | | | | |
| 5 | 6215 - 649 - 003 - 00 | GASKET | 2 | * | | | | | |
| 6 | 6215 - 644 - 003 - 00 | HOLDER, DELIVERY VALVE | 2 | * | | | | | |
| 7 | 6215 - 649 - 004 - 00 | O - RING | 2 | * | | | | | |
| 8 | 6215 - 635 - 002 - 00 | SLEEVE, FRANGE | 2 | * | | | | | |
| 9 | 6215 - 649 - 005 - 00 | PIN | 2 | * | | | | | |
| 10 | 6215 - 649 - 006 - 00 | O - RING | 4 | * | | | | | |
| 11 | 6215 - 649 - 007 - 00 | SCREW | 4 | * | | | | | |
| 12 | 6215 - 622 - 002 - 00 | TAPPET | 2 | * | | | | | |
| 13 | 6215 - 629 - 017 - 00 | PIN | 2 | * | | | | | |
| 14 | 6215 - 629 - 019 - 00 | RING SNAP | 1 | * | | | | | |
| 15 | 6215 - 634 - 002 - 00 | SPRING, PLUNGER | 2 | * | | | | | |
| 16 | 6215 - 639 - 006 - 00 | SEAT, SPRING | 2 | * | | | | | |
| 17 | 6215 - 639 - 007 - 00 | SEAT, SPRING | 2 | * | | | | | |
| 18 | 6215 - 629 - 020 - 00 | PLATE / T = 1.80 | 1 | * | | | | | |
| 19 | 6215 - 629 - 021 - 00 | PLATE / T = 1.85 | 1 | * | | | | | |
| 20 | 6215 - 629 - 022 - 00 | PLATE / T = 1.90 | 1 | * | | | | | |
| 21 | 6215 - 629 - 023 - 00 | PLATE / T = 1.95 | 1 | * | | | | | |
| 22 | 6215 - 629 - 024 - 00 | PLATE / T = 2.00 | 1 | * | | | | | |
| 23 | 6215 - 629 - 025 - 00 | PLATE / T = 2.05 | 1 | * | | | | | |
| 24 | 6215 - 629 - 026 - 00 | PLATE / T = 2.10 | 1 | * | | | | | |
| 25 | 6215 - 629 - 027 - 00 | PLATE / T = 2.15 | 1 | * | | | | | |

FIG. 27 6281 - 100 - 003 - 00



6003-801

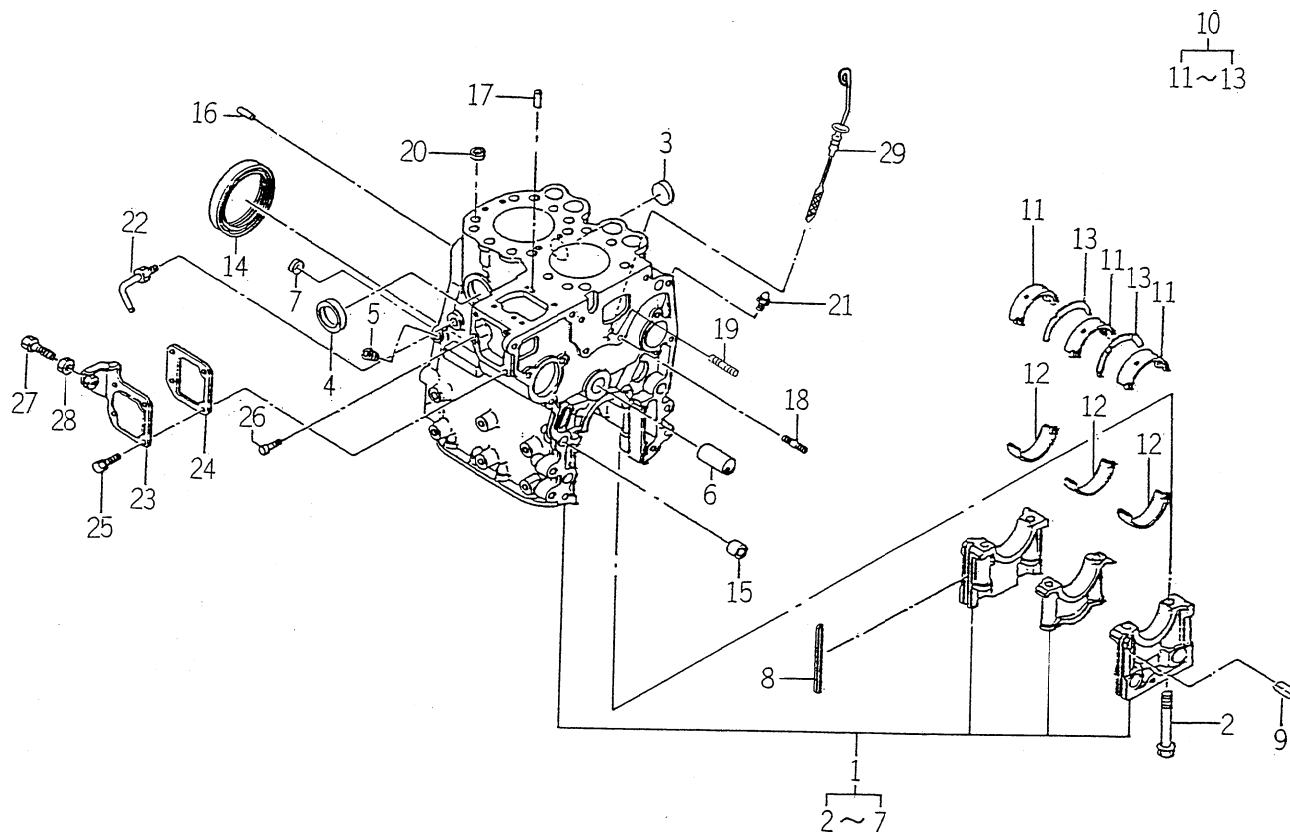
| KEY | PART CODE | DESCRIPTION | QTY | TYPE OF MODEL | | I T C | C O L | G R P | REMARKS |
|-----|-----------------------|----------------------|-----|---------------|--|-------------|-------------|-------------|---------|
| | | | | E262-G | | | | | |
| 1 | 6281 - 111 - 002 - 00 | YOKE/STARTER | 1 | * | | | | | |
| 2 | 6281 - 116 - 002 - 00 | STARTER KIT | 2 | * | | | | | |
| 3 | 6281 - 121 - 003 - 00 | ARMATURE | 1 | * | | | | | |
| 4 | 6281 - 129 - 010 - 00 | BEARING,BALL | 1 | * | | | | | |
| 5 | 6281 - 129 - 011 - 00 | BEARING,BALL | 1 | * | | | | | |
| 6 | 6281 - 124 - 001 - 00 | STARTER KIT | 1 | * | | | | | |
| 7 | 6281 - 129 - 007 - 00 | HOUSING/STARTER ASSY | 1 | * | | | | | |
| 8 | 6281 - 151 - 004 - 00 | SWITCH/STARTER ASSY | 1 | * | | | | | |
| 9 | 6281 - 118 - 001 - 00 | HOLDER ASSY | 1 | * | | | | | |
| 10 | 6581 - 117 - 007 - 00 | SPRING,BRUSH | 4 | * | | | | | |
| 11 | 6281 - 115 - 004 - 00 | FRAME/STARTER END | 1 | * | | | | | |
| 12 | 6581 - 123 - 011 - 00 | PINION,STARTER | 1 | * | | | | | |
| 13 | 6581 - 129 - 099 - 00 | RORA | 5 | * | | | | | |
| 14 | 6581 - 129 - 100 - 00 | RETAINER | 1 | * | | | | | |
| 15 | 6581 - 129 - 092 - 00 | BALL | 1 | * | | | | | |
| 16 | 6581 - 129 - 096 - 00 | SPRING | 1 | * | | | | | |
| 17 | 6281 - 129 - 006 - 00 | SCREW | 2 | * | | | | | |
| 18 | 6281 - 129 - 008 - 00 | BOLT/WS | 2 | * | | | | | |
| 19 | 6281 - 129 - 009 - 00 | SCREW/WS | 2 | * | | | | | |
| 20 | 6909 - 111 - 508 - 00 | NUT | 1 | * | | | | | |
| 21 | 6281 - 129 - 019 - 00 | CAP/RABBER | 4 | * | | | | | |
| 22 | 6909 - 150 - 508 - 00 | WASHER | 1 | * | | | | | |
| 23 | 6909 - 110 - 408 - 00 | NUT/M8 | 1 | * | | | | | |

ENGINE

E262 – G01…SG15 – S

ENGINE

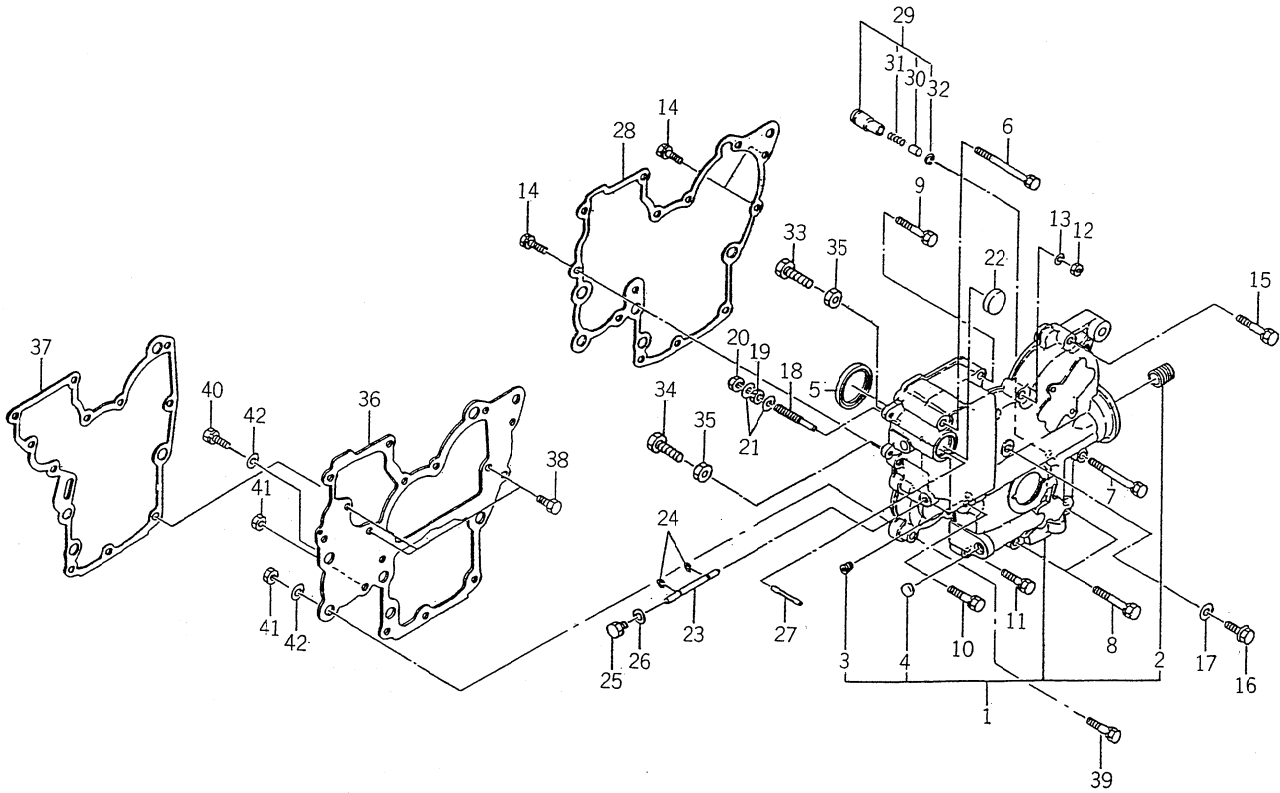
FIG. 5 CYLINDER BLOCK



6003-201S

| KEY | PART CODE | DESCRIPTION | QTY | TYPE OF MODEL | | I T C | C O L | G R P | REMARKS |
|-----|-----------------------|----------------------|-----|---------------|--|-------------|-------------|-------------|---------|
| | | | | E262 601 | | | | | |
| 1 | 6211 - 210 - 021 - 10 | CYLINDERBLOCK ASSY | 1 | * | | | | | |
| 2 | 6209 - 000 - 004 - 00 | BOLT | 6 | * | | | | | |
| 3 | 6209 - 610 - 001 - 00 | CAP,SEALING | 1 | * | | | | | |
| 4 | 6911 - 219 - 195 - 00 | CAP,SEALING | 3 | * | | | | | |
| 5 | 6509 - 605 - 019 - 10 | PLUG | 2 | * | | | | | |
| 6 | 6212 - 531 - 005 - 10 | PIN/IDLEGEAR | 1 | * | | | | | |
| 7 | 6911 - 129 - 083 - 00 | CAP,SEALING | 1 | * | | | | | |
| 8 | 6211 - 258 - 001 - 00 | SEAL,BEARING CAP | 4 | * | | | | | |
| 9 | 6211 - 258 - 002 - 00 | SEAL,BEARING CAP/7 | 2 | * | | | | | |
| 10 | 6211 - 510 - 002 - 00 | METAL,CRANK | 1 | * | | | | | |
| 11 | 6211 - 511 - 003 - 00 | BEARING/CRANK/UPPER | 3 | * | | | | | |
| 12 | 6211 - 511 - 004 - 00 | BEARING/CRANK/LOWER | 3 | * | | | | | |
| 13 | 6211 - 599 - 001 - 10 | BEARING,THRUST CRANK | 2 | * | | | | | |
| 14 | 6209 - 625 - 001 - 00 | SEAL,OIL | 1 | * | | | | | |
| 15 | 6209 - 749 - 001 - 10 | PIN,TUBE | 2 | * | | | | | |
| 16 | 6908 - 160 - 816 - 00 | PIN | 2 | * | | | | | |
| 17 | 6908 - 160 - 510 - 00 | PIN | 2 | * | | | | | |
| 18 | 6904 - 110 - 840 - 00 | STUD/M8X40 | 1 | * | | | | | |
| 19 | 6904 - 110 - 818 - 00 | STUD | 1 | * | | | | | |
| 20 | 6894 - 453 - 344 - 00 | DOWEL | 2 | * | | | | | |
| 21 | 6909 - 902 - 299 - 00 | NIPPLE | 1 | * | | | | | |
| 22 | 6213 - 721 - 001 - 00 | PIPE,WATER DRAIN | 1 | * | | | | | |
| 23 | 6211 - 291 - 001 - 10 | COVER,INJ PUMP | 1 | * | | | | | |
| 24 | 6211 - 292 - 001 - 20 | GASKET/COVER | 1 | * | | | | | |
| 25 | 6901 - 910 - 612 - 00 | BOLT,SEMS/M6X12 | 4 | * | | | | | |

FIG. 9 TIMING GEAR CASE

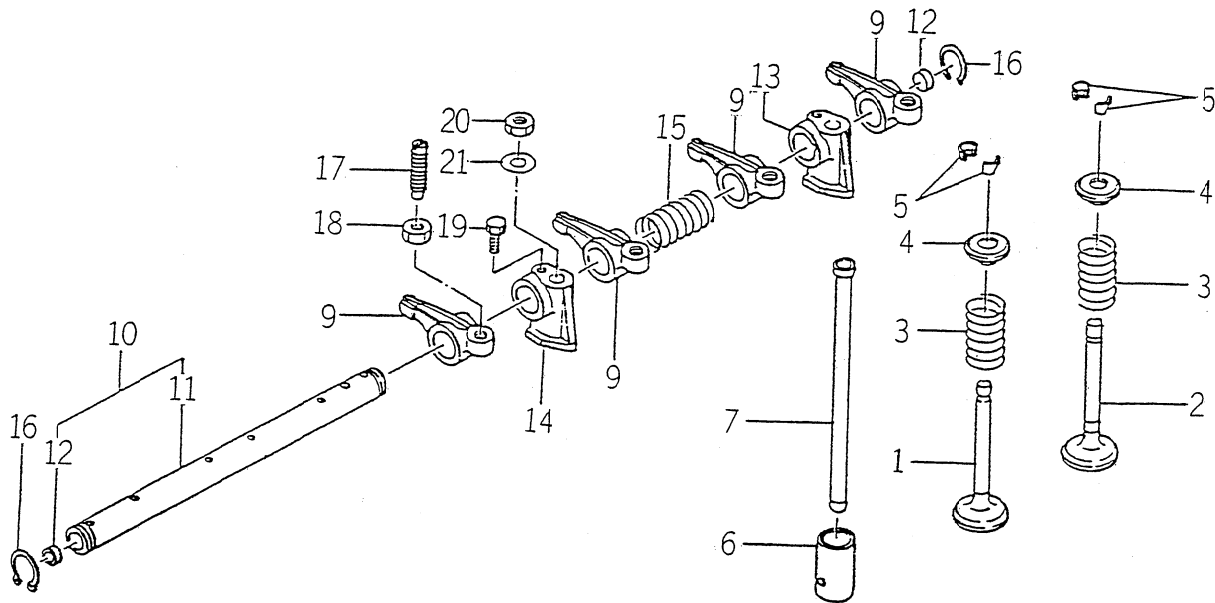


6003-240C

| KEY | PART CODE | DESCRIPTION | QTY | TYPE OF MODEL | | I T C | C O L | G R P | REMARKS |
|-----|-----------------------|----------------------|-----|---------------|-----|-------------|-------------|-------------|---------|
| | | | | E262 | G01 | | | | |
| 1 | 6211 - 310 - 006 - 20 | GEARCASE ASSY | 1 | * | | | | | |
| 2 | 6213 - 319 - 001 - 00 | CONNECTOR,OIL FILTER | 1 | * | | | | | |
| 3 | 6509 - 605 - 019 - 10 | PLUG | 3 | * | | | | | |
| 4 | 6209 - 610 - 002 - 10 | CUP/SEALING/16 | 1 | * | | | | | |
| 5 | 6209 - 625 - 002 - 00 | SEAL,OIL | 1 | * | | | | | |
| 6 | 6209 - 030 - 005 - 00 | BOLT/M8X85 | 1 | * | | | | | |
| 7 | 6209 - 030 - 006 - 00 | BOLT/M8X75 | 1 | * | | | | | |
| 8 | 6509 - 000 - 084 - 00 | BOLT/L = 55 | 2 | * | | | | | |
| 9 | 6509 - 030 - 037 - 00 | BOLT | 2 | * | | | | | |
| 10 | 6901 - 910 - 840 - 00 | BOLT | 1 | * | | | | | |
| 11 | 6901 - 910 - 835 - 00 | BOLT,SEMS/M8X35 | 1 | * | | | | | |
| 12 | 6909 - 110 - 508 - 00 | NUT/M8 | 1 | * | | | | | |
| 13 | 6909 - 150 - 508 - 00 | WASHER | 1 | * | | | | | |
| 14 | V211 - 560 - 802 - 00 | BOLT/M8X20 | 3 | * | | | | | |
| 15 | 6901 - 910 - 845 - 00 | BOLT,SEMS/M8X45 | 1 | * | | | | | |
| 16 | 6209 - 046 - 001 - 00 | BOLT/M8X30 | 1 | * | | | | | |
| 17 | 6909 - 920 - 843 - 00 | PACKING | 1 | * | | | | | |
| 18 | 6215 - 546 - 001 - 00 | STOPPER,FULL - LOAD | 1 | * | | | | | |
| 19 | 6209 - 409 - 001 - 00 | NUT/M8 | 1 | * | | | | | |
| 20 | V341 - 120 - 008 - 00 | NUT,CAP/M 8 | 1 | * | | | | | |
| 21 | 6909 - 920 - 843 - 00 | PACKING | 2 | * | | | | | |
| 22 | 3625 - 540 - 004 - 00 | CAP,BLANK/30 | 1 | * | | | | | |
| 23 | 6215 - 542 - 001 - 10 | PIN/ARM | 1 | * | | | | | |
| 24 | V710 - 140 - 004 - 00 | RING,SNAP/ 4 E | 2 | * | | | | | |
| 25 | 6909 - 202 - 308 - 00 | PLUG | 1 | * | | | | | |

FIG. 11 VALVE

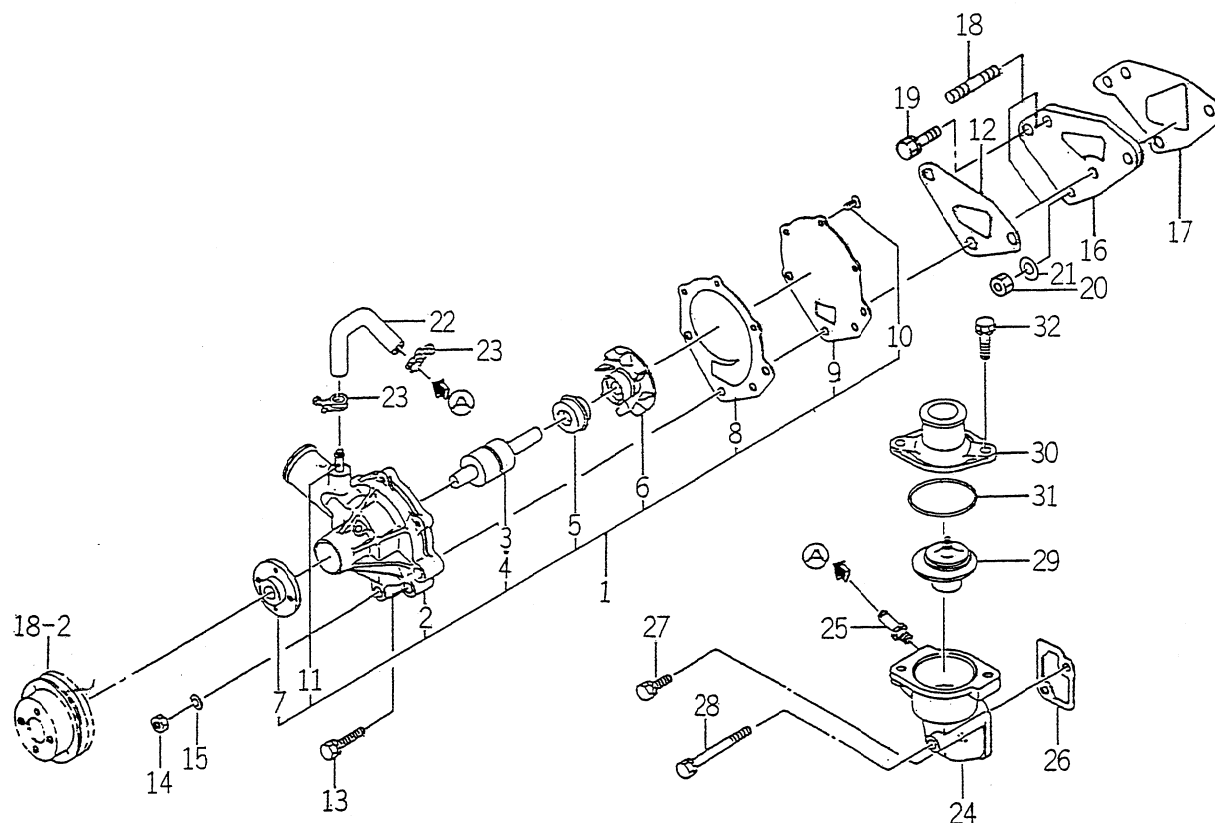
8
9~19



6003-301A

| KEY | PART CODE | DESCRIPTION | QTY | TYPE OF MODEL | | I T C | C O L | G R P | REMARKS |
|-----|-----------------------|-----------------------|-----|---------------|--|-------------|-------------|-------------|---------|
| | | | | E262 601 | | | | | |
| 1 | 6212 - 551 - 001 - 00 | VALVE,INTAKE | 2 | * | | | | | |
| 2 | 6212 - 552 - 001 - 00 | VALVE,EXHAUST | 2 | * | | | | | |
| 3 | 6212 - 561 - 001 - 00 | SPRING,VALVE | 4 | * | | | | | |
| 4 | 6212 - 563 - 001 - 00 | SEAT,VALVE SPRING | 4 | * | | | | | |
| 5 | 6212 - 565 - 001 - 00 | CUTTER,VALVE | 8 | * | | | | | |
| 6 | 6212 - 571 - 001 - 10 | TAPPET | 4 | * | | | | | |
| 7 | 6212 - 575 - 001 - 00 | ROD,PUSH | 4 | * | | | | | |
| 8 | 6212 - 600 - 003 - 00 | SHAFT,ROCKER | 1 | * | | | | | |
| 9 | 6212 - 611 - 004 - 10 | ROCKERARM | 4 | * | | | | | |
| 10 | 6212 - 620 - 002 - 10 | SHAFT,ROCKER ARM ASSY | 1 | * | | | | | |
| 11 | 6212 - 621 - 003 - 10 | SHAFT/ROCKERARM | 1 | * | | | | | |
| 12 | 6212 - 626 - 002 - 10 | PLUG | 2 | * | | | | | |
| 13 | 6212 - 628 - 004 - 00 | BRACKET ROCKER SHAFT | 1 | * | | | | | |
| 14 | 6212 - 628 - 005 - 00 | BRACKET,ROCKER SHAFT | 1 | * | | | | | |
| 15 | 6209 - 940 - 004 - 00 | SPRING | 1 | * | | | | | |
| 16 | V704 - 140 - 016 - 00 | RING,SNAP/16 C | 2 | * | | | | | |
| 17 | 6212 - 616 - 002 - 00 | SCREW ADJUST | 4 | * | | | | | |
| 18 | 6209 - 409 - 003 - 00 | NUT | 4 | * | | | | | |
| 19 | 6209 - 000 - 002 - 00 | BOLT | 1 | * | | | | | |
| 20 | 6909 - 110 - 508 - 00 | NUT/M8 | 2 | * | | | | | |
| 21 | 6909 - 164 - 508 - 00 | WASHER,PL/M8 | 2 | * | | | | | |

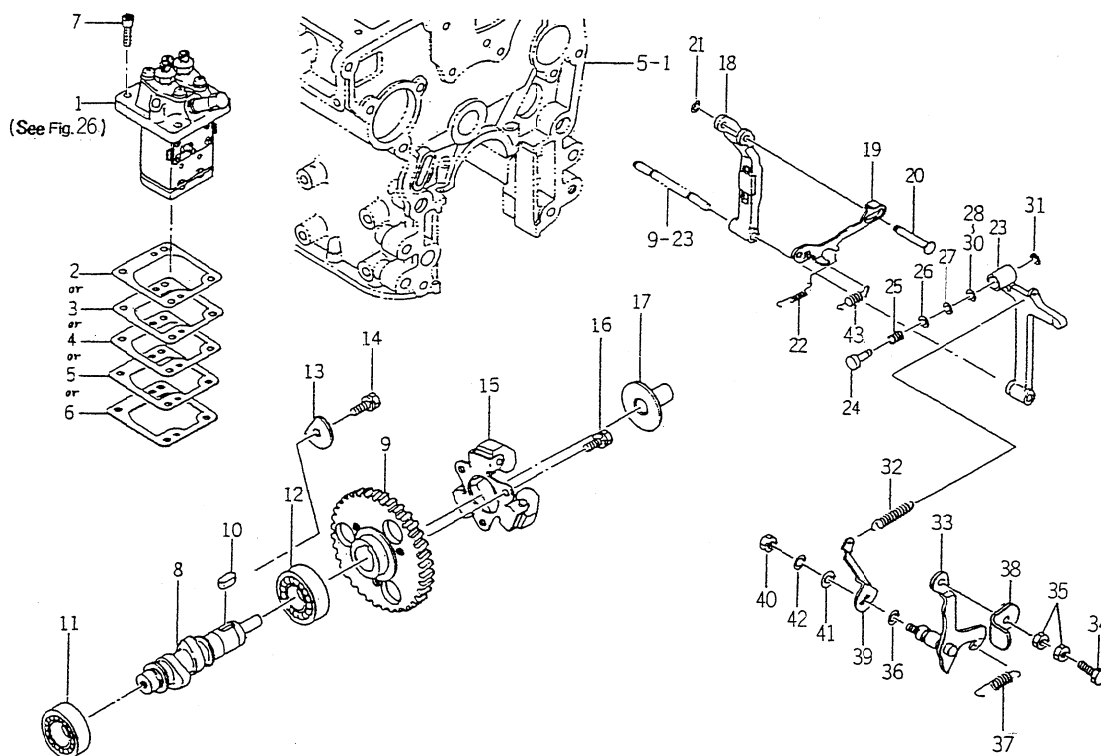
FIG. 17 WATER PUMP



6003-420B

| KEY | PART CODE | DESCRIPTION | QTY | TYPE OF MODEL | | I | C | G | REMARKS |
|-----|-----------------------|----------------------|-----|---------------|-----|---|---|---|---------|
| | | | | E262 | G01 | | | | |
| 1 | 6213 - 610 - 005 - 30 | WATERPUMP ASSY | 1 | * | | | | | |
| 2 | 6213 - 611 - 003 - 20 | BODY/WATERPUMP | 1 | * | | | | | |
| 3 | 6213 - 631 - 002 - 00 | BEARING/WATER PUMP | 1 | * | | | | | |
| 4 | 6213 - 631 - 005 - 00 | BEARING/WATERPUMP | 1 | * | | | | | |
| 5 | 6213 - 622 - 002 - 10 | SEAL SET/WATER PUMP | 1 | * | | | | | |
| 6 | 6213 - 621 - 003 - 00 | ROTOR/WATERPUMP | 1 | * | | | | | |
| 7 | 6213 - 642 - 002 - 00 | SEAL/WATER PUMPPULLE | 1 | * | | | | | |
| 8 | 6213 - 613 - 002 - 10 | GASKET | 1 | * | | | | | |
| 9 | 6213 - 612 - 004 - 00 | PLATE/WATER PUMP | 1 | * | | | | | |
| 10 | 6213 - 619 - 003 - 00 | SCREW/WATER PUMP | 3 | * | | | | | |
| 11 | 6213 - 619 - 002 - 00 | PIPE/WATER PUMP | 1 | * | | | | | |
| 12 | 6213 - 614 - 003 - 10 | GASKET/WATER PUMP | 1 | * | | | | | |
| 13 | 6901 - 910 - 845 - 00 | BOLT,SEMS/M8X45 | 1 | * | | | | | |
| 14 | 6909 - 110 - 508 - 00 | NUT/M8 | 2 | * | | | | | |
| 15 | 6909 - 150 - 508 - 00 | WASHER | 2 | * | | | | | |
| 16 | 6213 - 619 - 005 - 00 | SPACER,WATER PUMP | 1 | * | | | | | |
| 17 | 6213 - 614 - 006 - 10 | GASKET/SPACER | 1 | * | | | | | |
| 18 | 6209 - 300 - 002 - 00 | STUD | 2 | * | | | | | |
| 19 | V211 - 560 - 802 - 00 | BOLT/M8X20 | 1 | * | | | | | |
| 20 | 6909 - 110 - 508 - 00 | NUT/M8 | 1 | * | | | | | |
| 21 | 6909 - 150 - 508 - 00 | WASHER | 1 | * | | | | | |
| 22 | 6213 - 729 - 001 - 00 | HOSE,RUBBER | 1 | * | | | | | |
| 23 | J061 - 210 - 015 - 00 | CLAMP/WIRE/10 - 15 | 2 | * | | | | | |
| 24 | 6213 - 716 - 001 - 40 | HOUSING/THERMOSTAT | 1 | * | | | | | |
| 25 | 6213 - 721 - 003 - 00 | PIPE,PUMP HOUSING | 1 | * | | | | | |

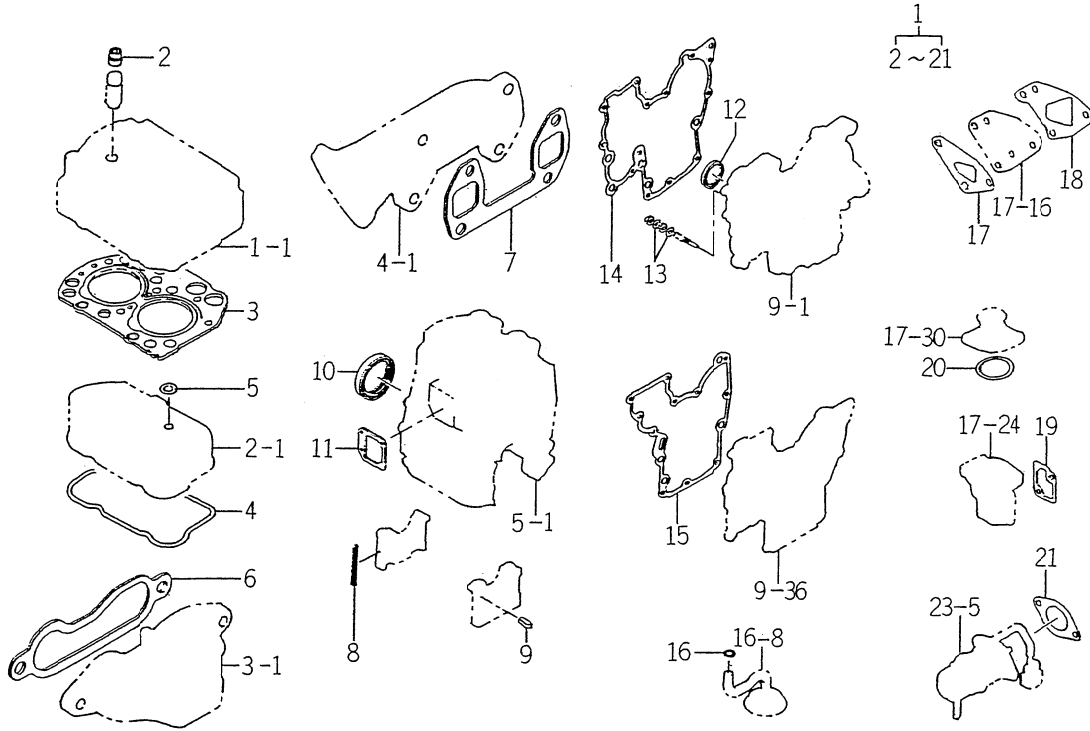
FIG. 20 INJECTION PUMP



6003-510F

| KEY | PART CODE | DESCRIPTION | QTY | TYPE OF MODEL | | I T C | C O L | G R P | REMARKS |
|-----|-----------------------|----------------------|-----|---------------|-----|-------------|-------------|-------------|---------|
| | | | | E262 | G01 | | | | |
| 1 | 6215 - 600 - 057 - 00 | PUMP,INJ ASSY | 1 | * | | | | | FIG 026 |
| 2 | 6219 - 752 - 011 - 00 | SHIM,INJ PUMP | 1 | * | | | | | |
| 3 | 6219 - 752 - 012 - 00 | SHIM,INJ PUMP | 1 | * | | | | | |
| 4 | 6219 - 752 - 013 - 00 | SHIM,INJ PUMP | 1 | * | | | | | |
| 5 | 6219 - 752 - 014 - 00 | SHIM,INJ PUMP | 1 | * | | | | | |
| 6 | 6219 - 752 - 015 - 00 | SHIM/INJECTION PUMP | 1 | * | | | | | |
| 7 | 6209 - 056 - 001 - 00 | BOLT/M6X18 | 4 | * | | | | | |
| 8 | 6215 - 621 - 004 - 10 | SHAFT,CAM/INJ.PUMP | 1 | * | | | | | |
| 9 | 6212 - 524 - 002 - 00 | GEAR,INJ PUMP | 1 | * | | | | | |
| 10 | 6908 - 000 - 716 - 00 | KEY | 1 | * | | | | | |
| 11 | V600 - 110 - 620 - 30 | BEARING,RB/6203 | 1 | * | | | | | |
| 12 | V600 - 110 - 600 - 40 | BEARING,RB/6004 | 1 | * | | | | | |
| 13 | 6212 - 535 - 002 - 00 | PLATE,THRUST INJPUMP | 1 | * | | | | | |
| 14 | 6901 - 910 - 612 - 00 | BOLT,SEMS/M6X12 | 1 | * | | | | | |
| 15 | 6215 - 520 - 001 - 00 | FLYWEIGHT | 1 | * | | | | | |
| 16 | 6209 - 030 - 043 - 00 | BOLT/M6X10 | 3 | * | | | | | |
| 17 | 6215 - 526 - 001 - 10 | PIECE,THRUST | 1 | * | | | | | |
| 18 | 6215 - 541 - 001 - 00 | ARM,FLOATING | 1 | * | | | | | |
| 19 | 6215 - 543 - 003 - 20 | LINK/CONTROL | 1 | * | | | | | |
| 20 | 6215 - 542 - 002 - 00 | PIN,CONTROL LINK | 1 | * | | | | | |
| 21 | V710 - 140 - 004 - 00 | RING,SNAP/ 4 E | 1 | * | | | | | |
| 22 | 6215 - 549 - 003 - 00 | SPRING,SETTING | 1 | * | | | | | |
| 23 | 6215 - 541 - 002 - 10 | ARM,TENSION | 1 | * | | | | | |
| 24 | 6215 - 549 - 004 - 10 | PIN,ADAPTER | 1 | * | | | | | |
| 25 | 6215 - 536 - 001 - 00 | SPRING,ADAPTER | 1 | * | | | | | |

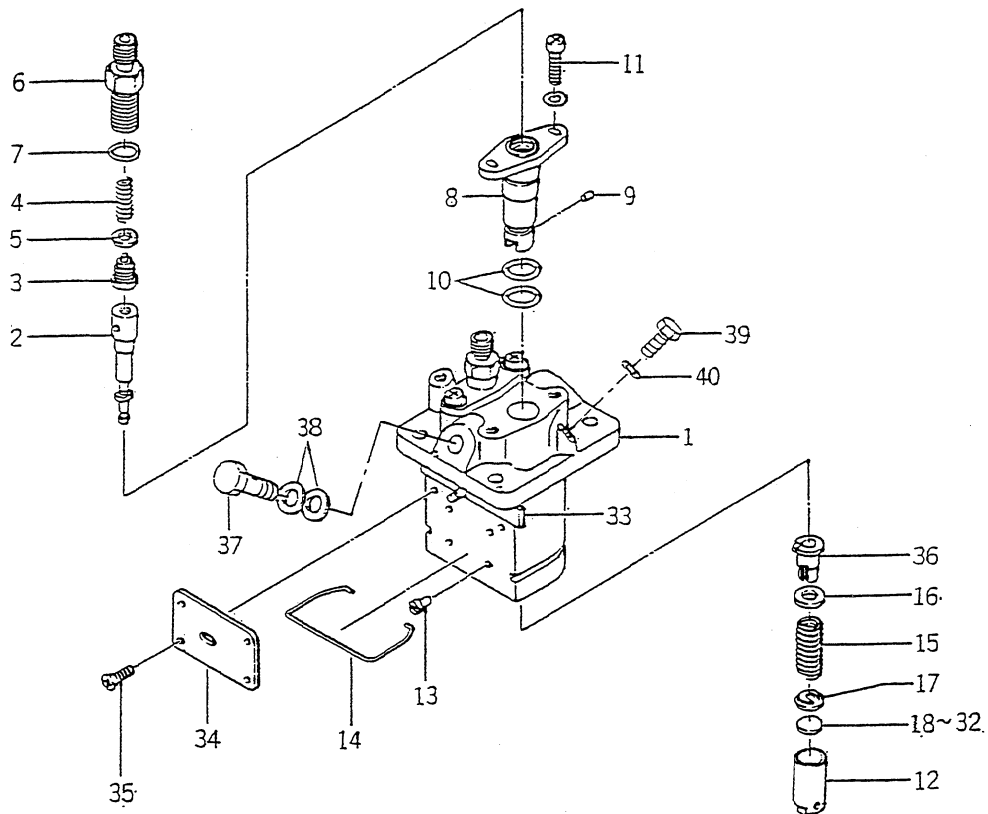
FIG. 24 REPAIR KIT



6003-999B

| KEY | PART CODE | DESCRIPTION | QTY | TYPE OF MODEL | | I T C | C O L | G R P | REMARKS |
|-----|-----------------------|----------------------|-----|---------------|--|-------------|-------------|-------------|---------|
| | | | | E262 G01 | | | | | |
| 1 | 6287 - 810 - 006 - 10 | REPAIR/ENGINE SET | 1 | R | | | | | |
| 2 | 6212 - 569 - 002 - 00 | SEAL,OIL | 4 | R | | | | | |
| 3 | 6211 - 141 - 018 - 10 | GASKET,CYL HEAD | 1 | R | | | | | |
| 4 | 6211 - 173 - 004 - 00 | SEAL,CYL COVER | 1 | R | | | | | |
| 5 | 6909 - 572 - 008 - 00 | PACKING | 2 | R | | | | | |
| 6 | 6214 - 115 - 002 - 20 | GASKET | 1 | R | | | | | |
| 7 | 6214 - 145 - 006 - 10 | GASKET EXHAUST MANIF | 1 | R | | | | | |
| 8 | 6211 - 258 - 001 - 00 | SEAL,BEARING CAP | 4 | R | | | | | |
| 9 | 6211 - 258 - 002 - 00 | SEAL,BEARING CAP/7 | 2 | R | | | | | |
| 10 | 6209 - 625 - 001 - 00 | SEAL,OIL | 1 | R | | | | | |
| 11 | 6211 - 292 - 001 - 20 | GASKET/COVER | 1 | R | | | | | |
| 12 | 6209 - 625 - 002 - 00 | SEAL,OIL | 1 | R | | | | | |
| 13 | 6909 - 920 - 843 - 00 | PACKING | 4 | R | | | | | |
| 14 | 6211 - 312 - 001 - 20 | GASKET/GEARCASE | 1 | R | | | | | |
| 15 | 6211 - 312 - 002 - 20 | GASKET/PLATE | 1 | R | | | | | |
| 16 | V720 - 102 - 401 - 50 | O - RING/P15 | 1 | R | | | | | |
| 17 | 6213 - 614 - 003 - 10 | GASKET/WATER PUMP | 1 | R | | | | | |
| 18 | 6213 - 614 - 006 - 10 | GASKET/SPACER | 1 | R | | | | | |
| 19 | 6213 - 743 - 002 - 10 | GASKET/HOUSING | 1 | R | | | | | |
| 20 | V723 - 102 - 005 - 50 | O - RING | 1 | R | | | | | |
| 21 | 6209 - 630 - 002 - 10 | GASKET | 1 | R | | | | | |

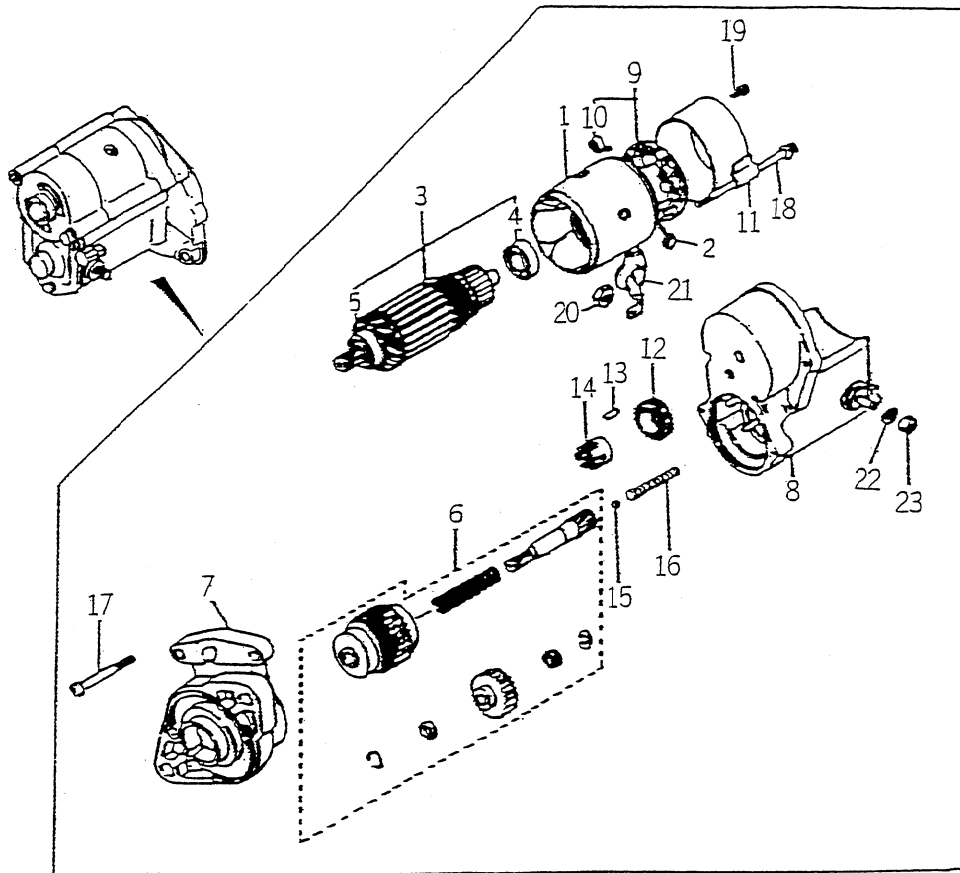
FIG. 26 6215 - 600 - 057 - 00



6003-510F

| KEY | PART CODE | DESCRIPTION | QTY | TYPE OF MODEL | | I T C | C O L | G R P | REMARKS |
|-----|-----------------------|------------------------|-----|---------------|--|-------------|-------------|-------------|---------|
| | | | | E262 G01 | | | | | |
| 1 | 6215 - 611 - 003 - 00 | HOUSING PUMP | 1 | * | | | | | |
| 2 | 6215 - 631 - 004 - 00 | PLUNGER ASSY | 2 | * | | | | | |
| 3 | 6215 - 641 - 002 - 00 | VALVE, DELIVERY | 2 | * | | | | | |
| 4 | 6215 - 643 - 003 - 00 | SPRING, DELIVERY VALVE | 2 | * | | | | | |
| 5 | 6215 - 649 - 003 - 00 | GASKET | 2 | * | | | | | |
| 6 | 6215 - 644 - 003 - 00 | HOLDER, DELIVERY VALVE | 2 | * | | | | | |
| 7 | 6215 - 649 - 004 - 00 | O - RING | 2 | * | | | | | |
| 8 | 6215 - 635 - 002 - 00 | SLEEVE, FRANGE | 2 | * | | | | | |
| 9 | 6215 - 649 - 005 - 00 | PIN | 2 | * | | | | | |
| 10 | 6215 - 649 - 006 - 00 | O - RING | 4 | * | | | | | |
| 11 | 6215 - 649 - 007 - 00 | SCREW | 4 | * | | | | | |
| 12 | 6215 - 622 - 002 - 00 | TAPPET | 2 | * | | | | | |
| 13 | 6215 - 629 - 017 - 00 | PIN | 2 | * | | | | | |
| 14 | 6215 - 629 - 019 - 00 | RING SNAP | 1 | * | | | | | |
| 15 | 6215 - 634 - 002 - 00 | SPRING, PLUNGER | 2 | * | | | | | |
| 16 | 6215 - 639 - 006 - 00 | SEAT, SPRING | 2 | * | | | | | |
| 17 | 6215 - 639 - 007 - 00 | SEAT, SPRING | 2 | * | | | | | |
| 18 | 6215 - 629 - 020 - 00 | PLATE / T = 1.80 | 1 | * | | | | | |
| 19 | 6215 - 629 - 021 - 00 | PLATE / T = 1.85 | 1 | * | | | | | |
| 20 | 6215 - 629 - 022 - 00 | PLATE / T = 1.90 | 1 | * | | | | | |
| 21 | 6215 - 629 - 023 - 00 | PLATE / T = 1.95 | 1 | * | | | | | |
| 22 | 6215 - 629 - 024 - 00 | PLATE / T = 2.00 | 1 | * | | | | | |
| 23 | 6215 - 629 - 025 - 00 | PLATE / T = 2.05 | 1 | * | | | | | |
| 24 | 6215 - 629 - 026 - 00 | PLATE / T = 2.10 | 1 | * | | | | | |
| 25 | 6215 - 629 - 027 - 00 | PLATE / T = 2.15 | 1 | * | | | | | |

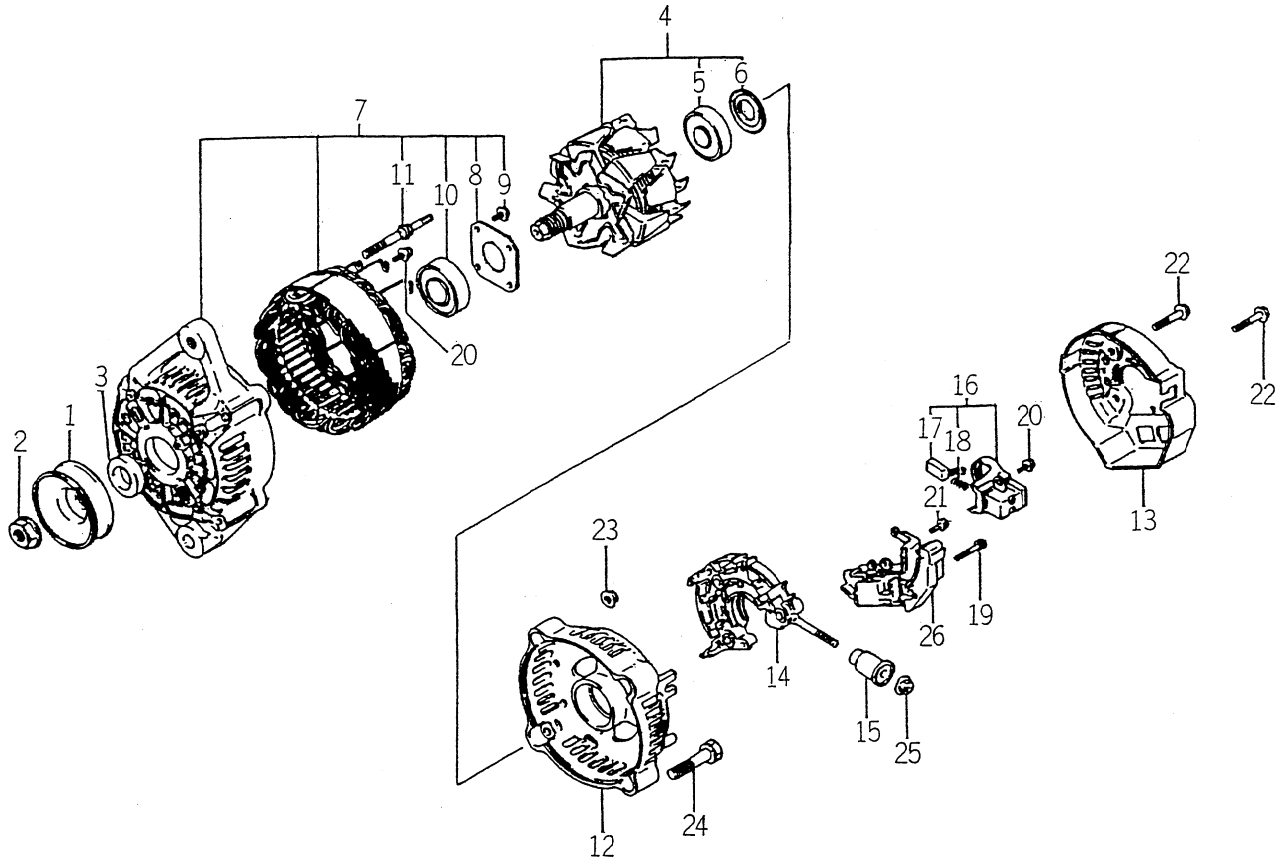
FIG. 27 6281 - 100 - 003 - 00



6003-8016

| KEY | PART CODE | DESCRIPTION | QTY | TYPE OF MODEL | | I T C | C O L | G R P | REMARKS |
|-----|-----------------------|----------------------|-----|---------------|--|-------------|-------------|-------------|---------|
| | | | | E262 G01 | | | | | |
| 1 | 6281 - 111 - 002 - 00 | YOKE/STARTER | 1 | * | | | | | |
| 2 | 6281 - 116 - 002 - 00 | STARTER KIT | 2 | * | | | | | |
| 3 | 6281 - 121 - 003 - 00 | ARMATURE | 1 | * | | | | | |
| 4 | 6281 - 129 - 010 - 00 | BEARING,BALL | 1 | * | | | | | |
| 5 | 6281 - 129 - 011 - 00 | BEARING,BALL | 1 | * | | | | | |
| 6 | 6281 - 124 - 001 - 00 | STARTER KIT | 1 | * | | | | | |
| 7 | 6281 - 129 - 007 - 00 | HOUSING/STARTER ASSY | 1 | * | | | | | |
| 8 | 6281 - 151 - 004 - 00 | SWITCH/STARTER ASSY | 1 | * | | | | | |
| 9 | 6281 - 118 - 001 - 00 | HOLDER ASSY | 1 | * | | | | | |
| 10 | 6581 - 117 - 007 - 00 | SPRING,BRUSH | 4 | * | | | | | |
| 11 | 6281 - 115 - 004 - 00 | FRAME/STARTER END | 1 | * | | | | | |
| 12 | 6581 - 123 - 011 - 00 | PINION,STARTER | 1 | * | | | | | |
| 13 | 6581 - 129 - 099 - 00 | RORA | 5 | * | | | | | |
| 14 | 6581 - 129 - 100 - 00 | RETAINER | 1 | * | | | | | |
| 15 | 6581 - 129 - 092 - 00 | BALL | 1 | * | | | | | |
| 16 | 6581 - 129 - 096 - 00 | SPRING | 1 | * | | | | | |
| 17 | 6281 - 129 - 006 - 00 | SCREW | 2 | * | | | | | |
| 18 | 6281 - 129 - 008 - 00 | BOLT/WS | 2 | * | | | | | |
| 19 | 6281 - 129 - 009 - 00 | SCREW/WS | 2 | * | | | | | |
| 20 | 6909 - 111 - 508 - 00 | NUT | 1 | * | | | | | |
| 21 | 6281 - 129 - 019 - 00 | CAP/RABBER | 4 | * | | | | | |
| 22 | 6909 - 150 - 508 - 00 | WASHER | 1 | * | | | | | |
| 23 | 6909 - 110 - 408 - 00 | NUT/M8 | 1 | * | | | | | |

FIG. 28 6281 - 200 - 016 - 00

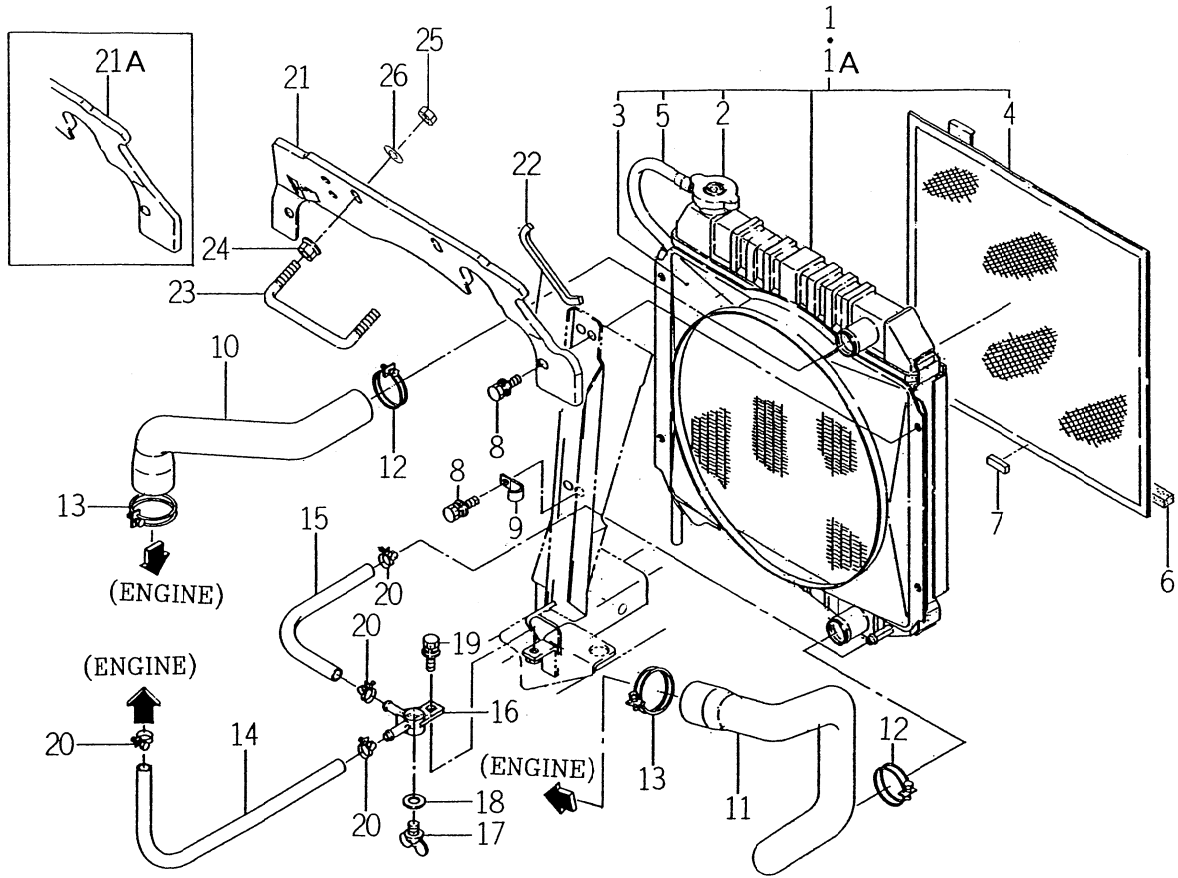


6303-801G

| KEY | PART CODE | DESCRIPTION | QTY | TYPE OF MODEL | | I T C | C O L | G R P | REMARKS |
|-----|-----------------------|----------------------|-----|---------------|--|-------------|-------------|-------------|---------|
| | | | | E262 601 | | | | | |
| 1 | 6281 - 222 - 004 - 00 | PULLEY | 1 | * | | | | | |
| 2 | 6281 - 229 - 002 - 00 | NUT | 1 | * | | | | | |
| 3 | 6281 - 229 - 003 - 00 | COLLOR | 1 | * | | | | | |
| 4 | 6281 - 221 - 001 - 00 | ROTOR ASSY | 1 | * | | | | | |
| 5 | 6281 - 229 - 005 - 00 | BEARING | 1 | * | | | | | |
| 6 | 6281 - 229 - 004 - 00 | COVER,BEARING | 1 | * | | | | | |
| 7 | 6281 - 213 - 003 - 00 | FRAME,DRIVE END ASSY | 1 | * | | | | | |
| 8 | 6281 - 229 - 006 - 00 | PLATE | 1 | * | | | | | |
| 9 | 6281 - 229 - 007 - 00 | BOLT | 4 | * | | | | | |
| 10 | 6281 - 229 - 009 - 00 | BEARING | 1 | * | | | | | |
| 11 | 6281 - 229 - 008 - 00 | BOLT | 2 | * | | | | | |
| 12 | 6281 - 214 - 003 - 00 | FRAME | 1 | * | | | | | |
| 13 | 6281 - 214 - 004 - 00 | COVER | 1 | * | | | | | |
| 14 | 6281 - 229 - 010 - 00 | HOLDER ASSY | 1 | * | | | | | |
| 15 | 6281 - 229 - 011 - 00 | BUSH | 1 | * | | | | | |
| 16 | 6281 - 217 - 001 - 00 | HOLDER,BRUSH ASSY | 1 | * | | | | | |
| 17 | 6281 - 215 - 001 - 00 | BRUSH | 2 | * | | | | | |
| 18 | 6281 - 216 - 001 - 00 | SPRING | 2 | * | | | | | |
| 19 | 6281 - 229 - 012 - 00 | BOLT | 2 | * | | | | | |
| 20 | 6281 - 229 - 013 - 00 | BOLT | 6 | * | | | | | |
| 21 | 6281 - 229 - 014 - 00 | BOLT | 1 | * | | | | | |
| 22 | 6281 - 229 - 015 - 00 | BOLT | 3 | * | | | | | |
| 23 | 6281 - 229 - 016 - 00 | NUT | 2 | * | | | | | |
| 24 | 6281 - 229 - 017 - 00 | BOLT | 2 | * | | | | | |
| 25 | 6281 - 229 - 018 - 00 | NUT | 1 | * | | | | | |

CHASSIS

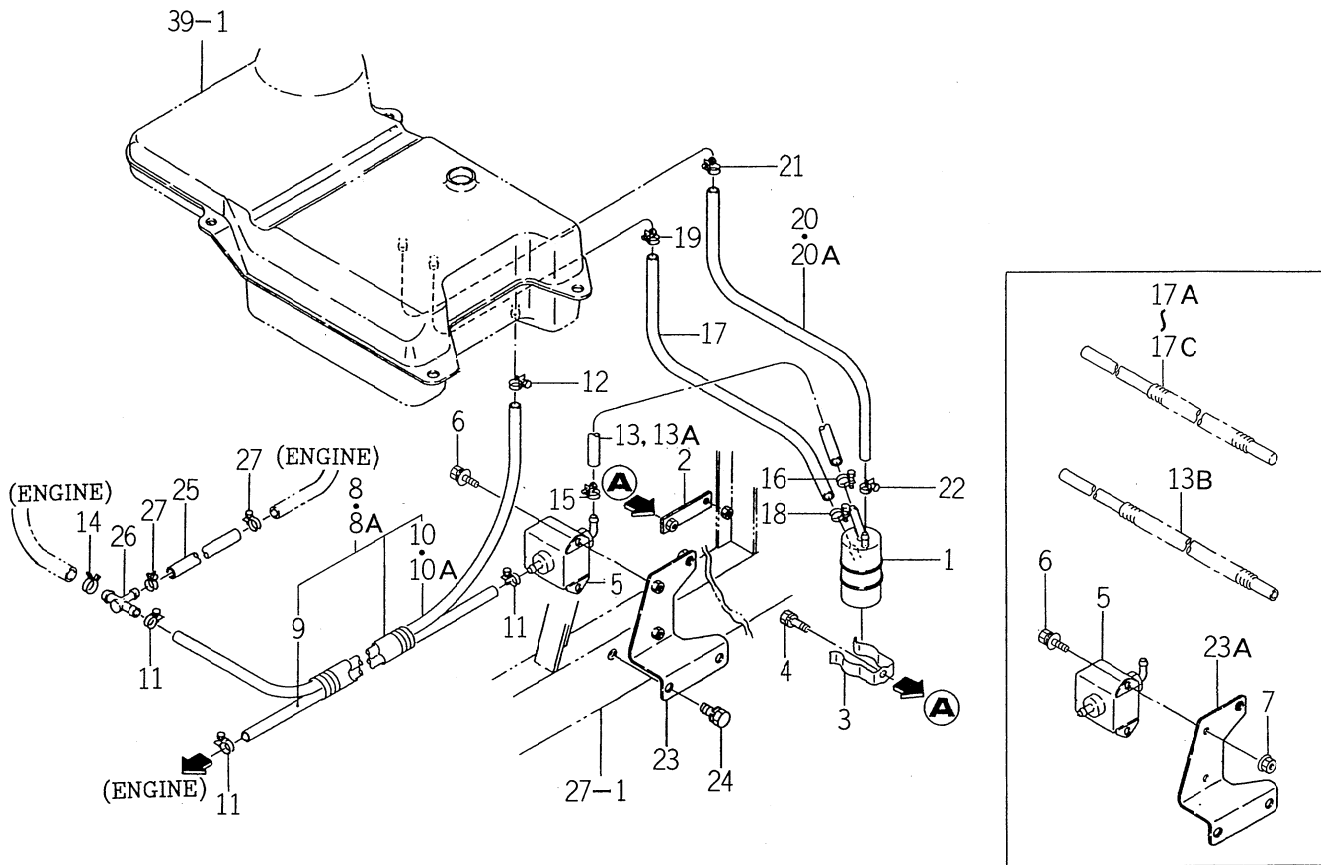
FIG. 2 RADIATOR SYSTEM



1593-102A

| KEY | PART CODE | DESCRIPTION | QTY | TYPE OF MODEL | | I T C | C O L | G R P | REMARKS |
|-----|-----------------------|---------------------|-----|---------------|-------------|-------------|-------------|-------------|---------|
| | | | | SG15H | | | | | |
| 1 | 1593 - 102 - 500 - 00 | RADIATOR ASSY | 1 | | 1- -5 | | | | |
| 1A | 1593 - 102 - 500 - 10 | RADIATOR ASSY | 1 | | 6- | | | | |
| 2 | 1593 - 102 - 502 - 00 | CAP | 1 | | * | | | | |
| 3 | 1593 - 102 - 503 - 00 | SHRUOD,FAN | 1 | | * | | | | |
| 4 | 1593 - 102 - 504 - 00 | PROTECTOR,FRONT | 1 | | * | | | | |
| 5 | 1593 - 102 - 505 - 00 | HOSE,VINYL | 1 | | * | | | | |
| 6 | 1593 - 102 - 005 - 30 | SEAL /10X10X340 | 1 | | * | | | | |
| 7 | 1593 - 102 - 011 - 00 | SEAL /10X05X27 | 1 | | * | | | | |
| 8 | V211 - 360 - 802 - 00 | BOLT (SP) M8X20 | 4 | | * | | | | |
| 9 | 1425 - 621 - 004 - 00 | CLAMP,HARNES | 1 | | * | | | | |
| 10 | 1593 - 102 - 001 - 10 | HOSE,RADIATOR/UP | 1 | | * | | | | |
| 11 | 1593 - 102 - 002 - 10 | HOSE,RADIATOR/LW | 1 | | * | | | | |
| 12 | J061 - 232 - 040 - 00 | CLAMP,WIRE/32 - 40 | 2 | | * | | | | |
| 13 | J061 - 238 - 046 - 00 | CLAMP,WIRE/38 - 46 | 2 | | * | | | | |
| 14 | 1593 - 102 - 003 - 20 | HOSE/270 | 1 | | * | | | | |
| 15 | 1593 - 102 - 004 - 20 | HOSE/210 | 1 | | * | | | | |
| 16 | 1560 - 104 - 010 - 40 | CONNECTOR | 1 | | * | | | | |
| 17 | 1424 - 101 - 203 - 00 | PLUG | 1 | | * | | | | |
| 18 | 1424 - 101 - 204 - 00 | PACKING | 1 | | * | | | | |
| 19 | V211 - 360 - 802 - 00 | BOLT (SP) M8X20 | 1 | | * | | | | |
| 20 | J061 - 210 - 015 - 00 | CLAMP/WIRE/10 - 15 | 4 | | * | | | | |
| 21 | 1593 - 102 - 006 - 40 | PANEL,RADIATOR | 1 | | 1- -3705 | | | | |
| 21A | 1593 - 102 - 006 - 50 | PANEL,RADIATOR | 1 | | 3706- | | | | |
| 22 | 1593 - 102 - 012 - 00 | SEAL /10X05X130 | 1 | | * | | | | |
| 23 | 1593 - 102 - 009 - 10 | HOOK,RADIATOR PANEL | 1 | | * | | | | |

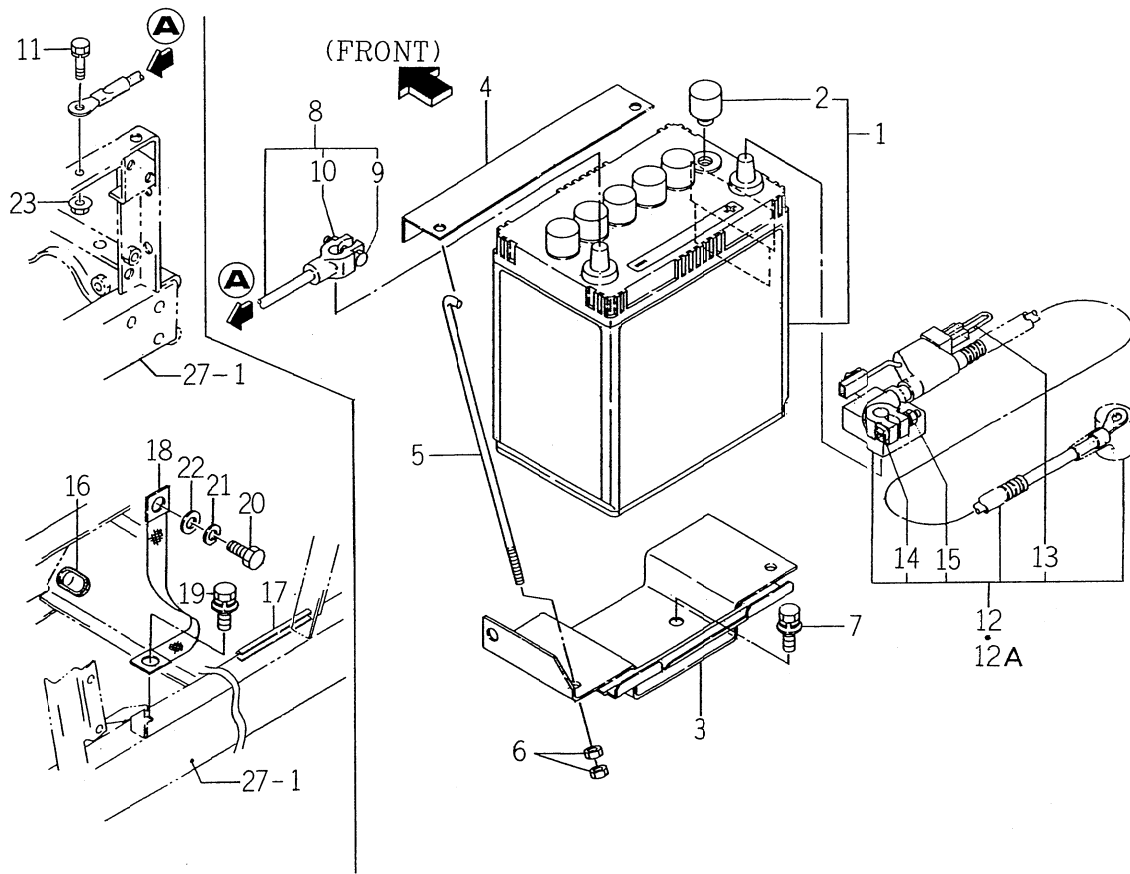
FIG. 5 FILTER (FUEL) and HOSE (FUEL) SYSTEM



1608-105

| KEY | PART CODE | DESCRIPTION | QTY | TYPE OF MODEL | | I T C | C O L | G R P | REMARKS |
|-----|-----------------------|---------------------|-----|----------------|--|-------------|-------------|-------------|---------|
| | | | | SG15H | | | | | |
| 1 | 6213 - 200 - 002 - 10 | FILTER,FUEL | 1 | * | | | | | |
| 2 | 1608 - 105 - 230 - 00 | PLATE,I/19X85 COMP | 1 | * | | | | | |
| 3 | 6219 - 755 - 001 - 00 | HOLDER,FUEL FILTER | 1 | * | | | | | |
| 4 | V211 - 260 - 801 - 60 | BOLT,SEMS (S) M8X16 | 1 | * | | | | | |
| 5 | 1588 - 105 - 210 - 00 | PUMP,FUEL | 1 | * | | | | | |
| 6 | V210 - 360 - 601 - 60 | BOLT (SP) /M6X16 | 2 | * | | | | | |
| 7 | V360 - 260 - 006 - 00 | NUT/M6 | 2 | 5441- | | | | | |
| 8 | 1608 - 105 - 220 - 10 | HOSE,FUEL MAIN ASSY | 1 | 1- -350 | | | | | |
| 8A | 1608 - 105 - 220 - 30 | HOSE,FUEL MAIN ASSY | 1 | 351- | | | | | |
| 9 | 1608 - 105 - 221 - 00 | HOSE/1300 | 1 | * | | | | | |
| 10 | 1608 - 105 - 222 - 00 | HOSE/2020 | 1 | 1- -350 | | | | | |
| 10A | 1608 - 105 - 222 - 10 | HOSE/2020 | 1 | 351- | | | | | |
| 11 | J061 - 210 - 012 - 00 | CLAMP,WIRE/10 - 12 | 3 | * | | | | | |
| 12 | J061 - 211 - 013 - 00 | CLAMP,WIRE/11 - 13 | 1 | * | | | | | |
| 13 | 1608 - 105 - 001 - 20 | HOSE/100 | 1 | 1- -350 | | | | | |
| 13A | 1608 - 105 - 001 - 40 | HOSE/225 | 1 | 351- -3520 | | | | | |
| 13B | 1608 - 105 - 250 - 00 | HOSE/225 ASSY | 1 | 3521- | | | | | |
| 14 | J062 - 081 - 087 - 00 | CLIP,HOSE/8.1 - 8.7 | 1 | * | | | | | |
| 15 | J061 - 210 - 012 - 00 | CLAMP,WIRE/10 - 12 | 1 | * | | | | | |
| 16 | J061 - 211 - 013 - 00 | CLAMP,WIRE/11 - 13 | 1 | * | | | | | |
| 17 | 1608 - 105 - 002 - 10 | HOSE/350 | 1 | 1- -350 | | | | | |
| 17A | 1608 - 105 - 240 - 00 | HOSE/ 350 ASSY | 1 | 351- -3520 | | | | | |
| 17B | 1608 - 105 - 240 - 10 | HOSE/350 ASSY | 1 | 3521- -4357 | | | | | |
| 17C | 1608 - 105 - 240 - 20 | HOSE/06X10X365 ASSY | 1 | 4358- | | | | | |
| 18 | J061 - 210 - 012 - 00 | CLAMP,WIRE/10 - 12 | 1 | * | | | | | |

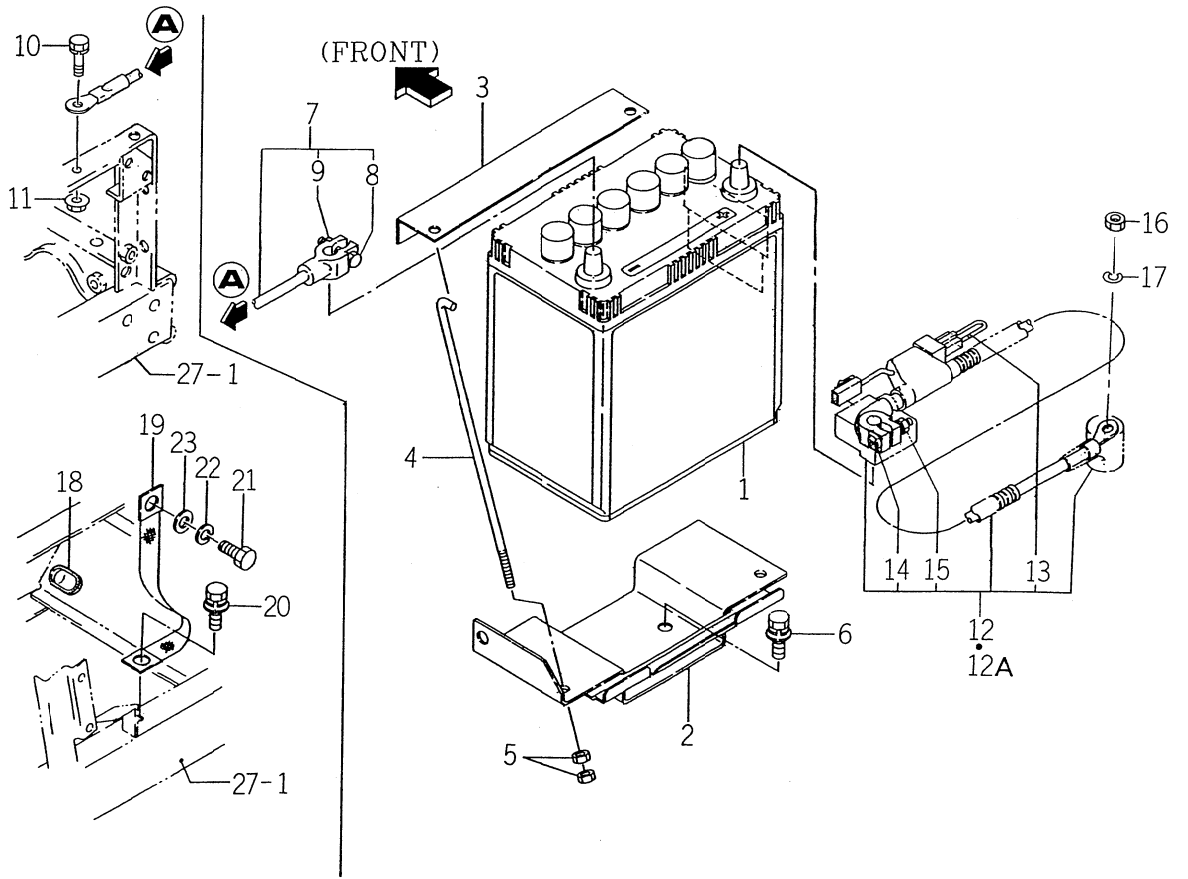
FIG. 6 BATTERY SYSTEM (E TYPE)



1593-112

| KEY | PART CODE | DESCRIPTION | QTY | TYPE OF MODEL | | I T C | C O L | G R P | REMARKS |
|-----|-----------------------|---------------------|-----|---------------|--|-------------|-------------|-------------|---------|
| | | | | SG15H | | | | | |
| 1 | 1593 - 112 - 200 - 00 | BATTERY, | 1 | * | | | | | |
| 2 | 1427 - 621 - 002 - 10 | CAP,BATTERY | 1 | * | | | | | |
| 3 | 1593 - 112 - 510 - 30 | PLATE,BATTERY | 1 | * | | | | | |
| 4 | 1593 - 112 - 051 - 30 | HOLDER,BATTERY | 1 | * | | | | | |
| 5 | 1593 - 112 - 002 - 50 | BOLT,BATTERY | 2 | * | | | | | |
| 6 | V301 - 260 - 006 - 00 | NUT/M 6 | 4 | * | | | | | |
| 7 | V211 - 360 - 802 - 00 | BOLT (SP) M8X20 | 3 | * | | | | | |
| 8 | 1593 - 112 - 003 - 20 | CABLE,EARTH | 1 | * | | | | | |
| 9 | 1593 - 112 - 222 - 00 | BOLT/M06X28 | 1 | * | | | | | |
| 10 | 1600 - 112 - 232 - 00 | NUT/M06 | 1 | * | | | | | |
| 11 | V211 - 260 - 801 - 60 | BOLT,SEMS (S) M8X16 | 1 | * | | | | | |
| 12 | V363 - 260 - 008 - 00 | NUT | 1 | * | | | | | |
| 13 | 1593 - 112 - 520 - 10 | CABLE,BATTERY ASSY | 1 | 1- -5 | | | | | |
| 13A | 1593 - 112 - 520 - 00 | CABLE,BATTERY | 1 | 6- | | | | | |
| 14 | 3652 - 261 - 202 - 00 | LINK,FUSIBLE | 1 | * | | | | | |
| 15 | 1600 - 112 - 231 - 00 | BOLT/M06X32 | 1 | * | | | | | |
| 16 | 1593 - 623 - 001 - 00 | GROMMET | 1 | * | | | | | |
| 17 | 1600 - 112 - 232 - 00 | NUT/M06 | 1 | * | | | | | |
| 18 | 1444 - 111 - 003 - 00 | PROTECTOR,EDGE | 2 | * | | | | | |
| 19 | 3626 - 276 - 003 - 00 | CABLE,WIRE | 1 | 1- -5 | | | | | |
| 20 | V211 - 361 - 002 - 00 | BOLT,SEMS | 1 | * | | | | | |
| 21 | V203 - 461 - 002 - 00 | BOLT/M10X1.25X20 | 1 | * | | | | | |
| 22 | V401 - 160 - 010 - 00 | WASHER,SP/M10 | 1 | * | | | | | |
| 23 | V411 - 260 - 010 - 00 | WASHER/M10 | 1 | * | | | | | |

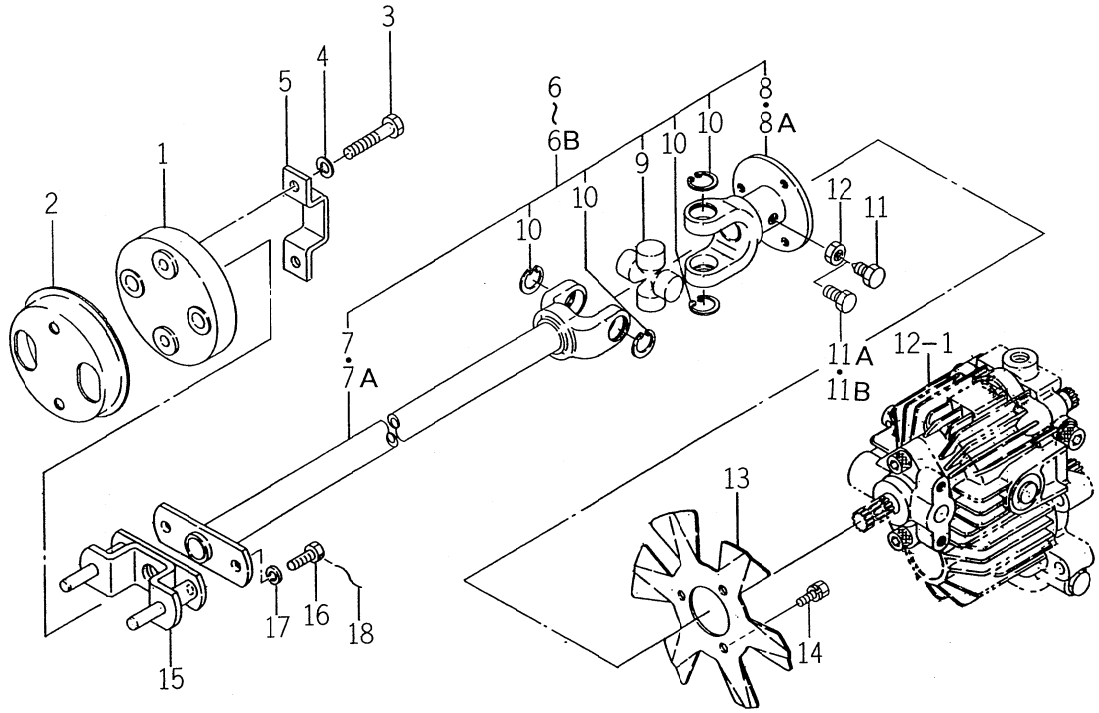
FIG. 7 BATTERY SYSTEM (EXCEPT E TYPE)



1593-112A

| KEY | PART CODE | DESCRIPTION | QTY | TYPE OF MODEL | | I T C | C O L | G R P | REMARKS |
|-----|-----------------------|---------------------|-----|----------------|--|-------------|-------------|-------------|---------|
| | | | | SG15H | | | | | |
| 1 | 1593 - 112 - 210 - 00 | BATTERY ASSY | 1 | * | | | | | |
| 2 | 1593 - 112 - 510 - 30 | PLATE,BATTERY | 1 | * | | | | | |
| 3 | 1593 - 112 - 051 - 30 | HOLDER,BATTERY | 1 | * | | | | | |
| 4 | 1593 - 112 - 002 - 50 | BOLT,BATTERY | 2 | * | | | | | |
| 5 | V301 - 260 - 006 - 00 | NUT/M 6 | 4 | * | | | | | |
| 6 | V211 - 360 - 802 - 00 | BOLT (SP) M8X20 | 3 | * | | | | | |
| 7 | 1593 - 112 - 003 - 20 | CABLE,EARTH | 1 | * | | | | | |
| 8 | 1593 - 112 - 222 - 00 | BOLT/M06X28 | 1 | * | | | | | |
| 9 | 1593 - 112 - 232 - 00 | NUT/M06 | 1 | * | | | | | |
| 10 | V211 - 260 - 801 - 60 | BOLT,SEMS (S) M8X16 | 1 | * | | | | | |
| 11 | V363 - 260 - 008 - 00 | NUT,LOCK/M8 | 1 | * | | | | | |
| 12 | 1593 - 112 - 520 - 00 | CABLE,BATTERY | 1 | 1- -5 6- | | | | | |
| 12A | 1593 - 112 - 520 - 10 | CABLE,BATTERY ASSY | 1 | | | | | | |
| 13 | 3652 - 261 - 202 - 00 | LINK,FUSIBLE | 1 | * | | | | | |
| 14 | 1600 - 112 - 231 - 00 | BOLT/M06X32 | 1 | * | | | | | |
| 15 | 1600 - 112 - 232 - 00 | NUT/M06 | 1 | * | | | | | |
| 16 | V304 - 260 - 008 - 00 | NUT/M 8 | 1 | * | | | | | |
| 17 | V401 - 160 - 008 - 00 | WASHER,SP/M 8 | 1 | * | | | | | |
| 18 | 1593 - 623 - 001 - 00 | GROMMET | 1 | * | | | | | |
| 19 | 3626 - 276 - 003 - 00 | CABLE,WIRE | 1 | * | | | | | |
| 20 | V211 - 361 - 002 - 00 | BOLT,SEMS | 1 | * | | | | | |
| 21 | V203 - 461 - 002 - 00 | BOLT/M10X1.25X20 | 1 | * | | | | | |
| 22 | V401 - 160 - 010 - 00 | WASHER,SP/M10 | 1 | * | | | | | |
| 23 | V411 - 260 - 010 - 00 | WASHER/M10 | 1 | * | | | | | |

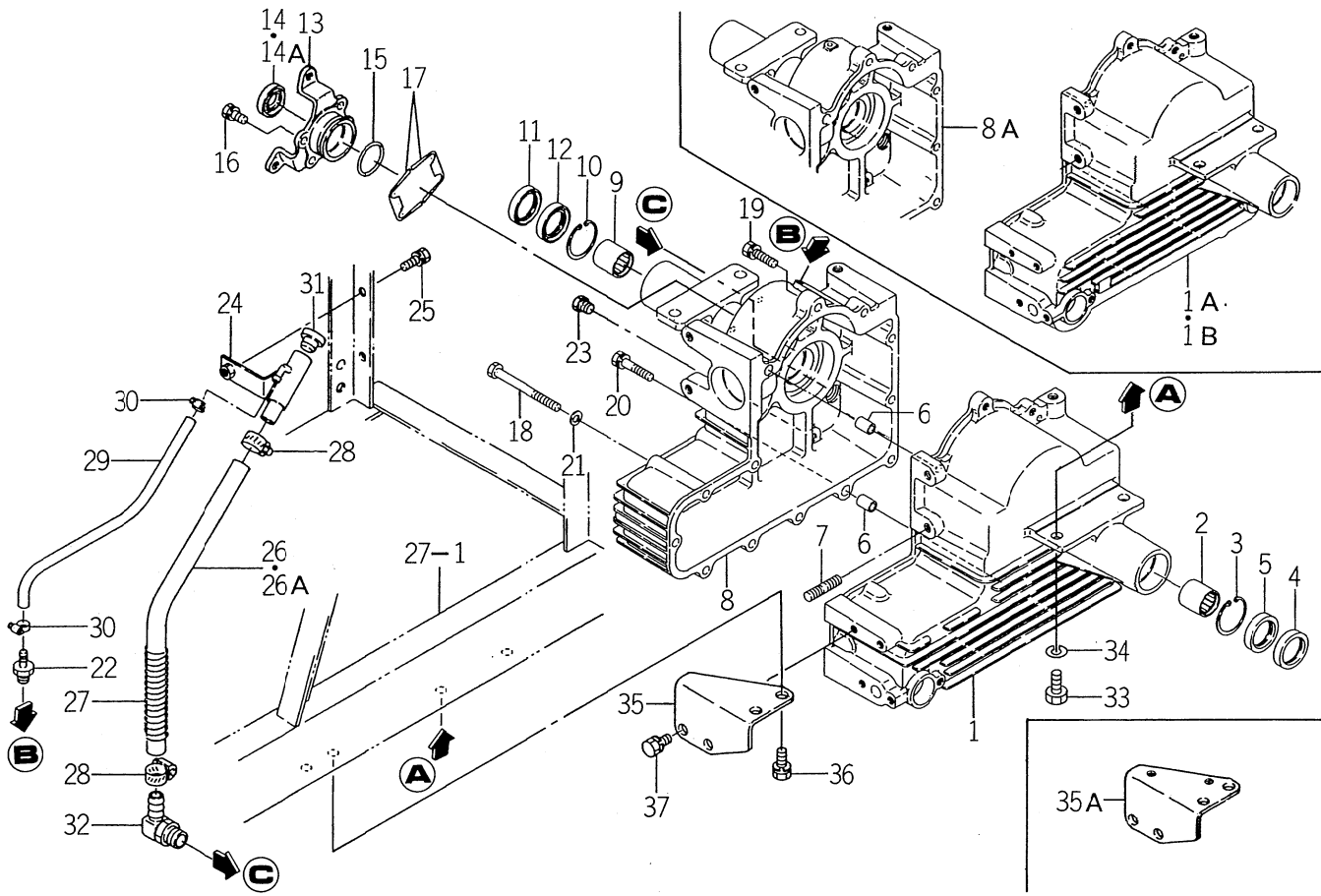
FIG. 9 JOINT (UNIVERSAL) and FAN (HST) SYSTEM



1608-122

| KEY | PART CODE | DESCRIPTION | QTY | TYPE OF MODEL | | I T C | C O L | G R P | REMARKS |
|-----|-----------------------|----------------------|-----|----------------|--|-------------|-------------|-------------|---------|
| | | | | SG15H | | | | | |
| 1 | 1593 - 122 - 051 - 00 | COUPLING | 1 | * | | | | | |
| 2 | 1608 - 122 - 004 - 00 | COVER,COUPLING | 1 | * | | | | | |
| 3 | V201 - 460 - 804 - 50 | BOLT/M8X45 | 2 | * | | | | | |
| 4 | V401 - 160 - 008 - 00 | WASHER,SP/M 8 | 2 | * | | | | | |
| 5 | 1608 - 122 - 003 - 00 | PLATE,STOPPER | 1 | 351- | | | | | |
| 6 | 1608 - 122 - 200 - 30 | JOINT/UNIVERSAL ASSY | 1 | 1- -350 | | | | | |
| 6A | 1608 - 122 - 200 - 40 | JOINT/UNIVERSAL ASSY | 1 | 351- -3876 | | | | | |
| 6B | 1608 - 122 - 200 - 50 | JOINT/UNIVERSAL ASSY | 1 | 3877- | | | | | |
| 7 | 1608 - 122 - 210 - 10 | JOINT,HST/F COMP | 1 | 1- -812 | | | | | |
| 7A | 1608 - 122 - 210 - 20 | JOINT,HST/F COMP | 1 | 813- | | | | | |
| 8 | 1608 - 122 - 220 - 10 | JOINT,HST/R COMP | 1 | 1- -3728 | | | | | |
| 8A | 1608 - 122 - 220 - 20 | JOINT,HST/R COMP | 1 | 3729- | | | | | |
| 9 | 8592 - 011 - 204 - 00 | JOURNAL KIT | 1 | * | | | | | |
| 10 | V705 - 140 - 020 - 00 | RING,SNAP/20 C | 4 | * | | | | | |
| 11 | 1608 - 122 - 001 - 00 | BOLT,SET/M8X16 | 1 | 1- -3728 | | | | | |
| 11A | V201 - 360 - 801 - 60 | BOLT/M8X16 | 1 | 3729- -4312 | | | | | |
| 11B | V201 - 460 - 802 - 00 | BOLT/M8X20 | 1 | 4313- | | | | | |
| 12 | V304 - 460 - 008 - 00 | NUT/M8 | 1 | * | | | | | |
| 13 | 1608 - 122 - 002 - 10 | FAN (HST) | 1 | * | | | | | |
| 14 | V210 - 260 - 601 - 20 | BOLT,SEMS | 3 | * | | | | | |
| 15 | 1608 - 122 - 230 - 10 | JOINT,COUPLING COMP | 1 | 351- | | | | | |
| 16 | 1416 - 209 - 005 - 00 | BOLT | 2 | 351- | | | | | |
| 17 | V401 - 160 - 008 - 00 | WASHER,SP/M 8 | 2 | 351- | | | | | |
| 18 | V590 - 131 - 222 - 00 | WIRE/1.2X220 | 1 | 351- | | | | | |

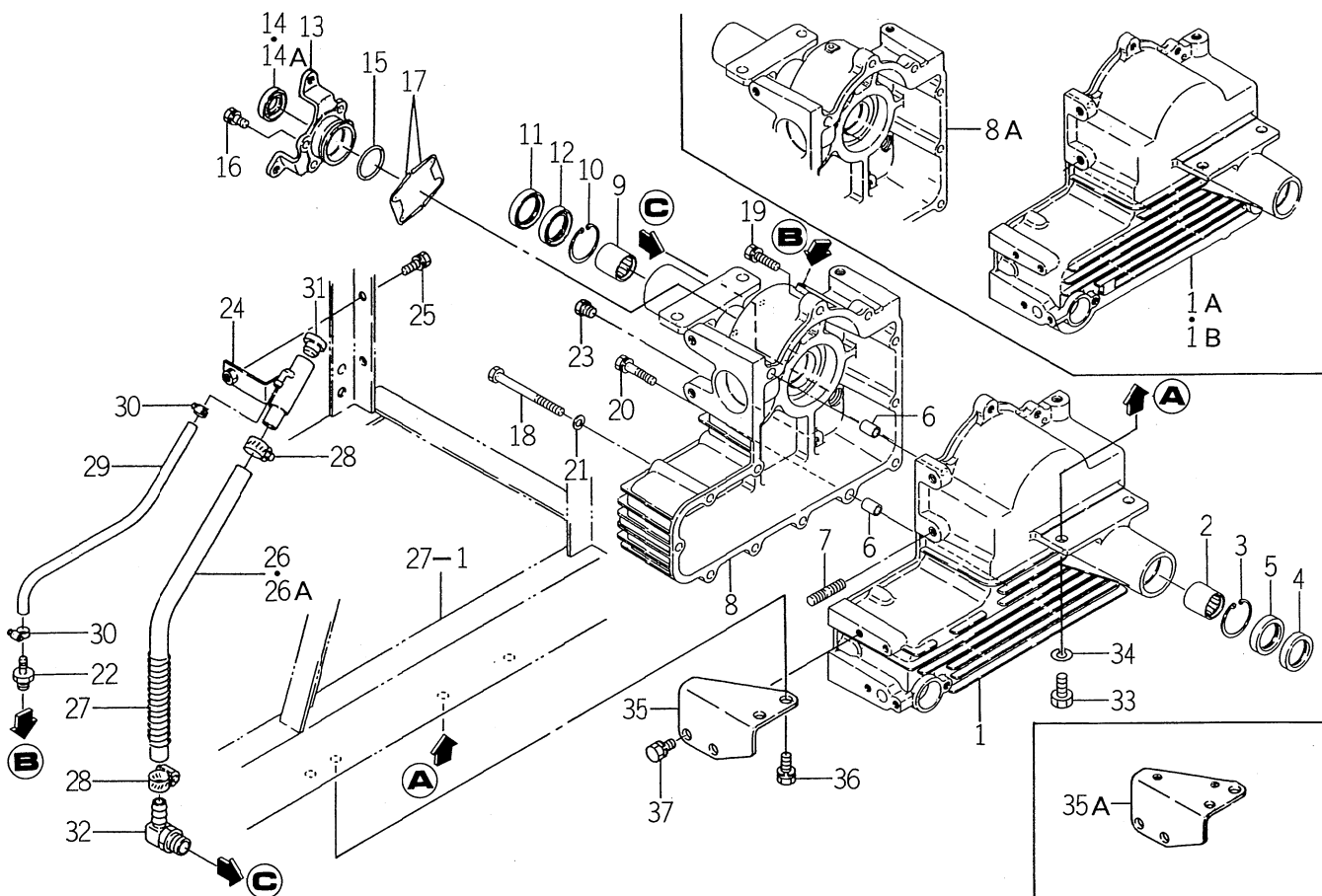
FIG. 10 TRANSMISSION SYSTEM



1608-201

| KEY | PART CODE | DESCRIPTION | QTY | TYPE OF MODEL | | I T C | C O L | G R P | REMARKS |
|-----|-----------------------|----------------------|-----|---------------|--|-------------|-------------|-------------|---------|
| | | | | SG15H | | | | | |
| 1 | 1608 - 201 - 001 - 10 | CASE,TRANSMISSION/LH | 1 | 1- | | | | | |
| 1A | 1608 - 201 - 001 - 30 | CASE,TRANSMISSION/LH | 1 | -115 | | | | | |
| 1B | 1608 - 201 - 001 - 40 | CASE,TRANSMISSION/LH | 1 | 116- | | | | | |
| 2 | V653 - 430 - 403 - 00 | BEARING,NR/TA3030Z | 1 | -3357 | | | | | |
| 3 | V705 - 140 - 042 - 00 | RING,SNAP/42 C | 1 | 3358- | | | | | |
| 4 | V744 - 130 - 420 - 80 | SEAL,OIL/TC30428 | 1 | * | | | | | |
| 5 | V740 - 130 - 420 - 80 | SEAL,OIL | 1 | * | | | | | |
| 6 | 3737 - 113 - 005 - 00 | PIN,KNOCK | 2 | * | | | | | |
| 7 | V251 - 261 - 004 - 5C | BOLT,STUD SEAL | 1 | * | | | | | |
| 8 | 1608 - 201 - 002 - 20 | CASE,TRANSMISSION/RH | 1 | 1- | | | | | |
| 8A | 1608 - 201 - 002 - 30 | CASE,TRANSMISSION/LH | 1 | -115 | | | | | |
| 9 | V653 - 430 - 403 - 00 | BEARING,NR/TA3030Z | 1 | 116- | | | | | |
| 10 | V705 - 140 - 042 - 00 | RING,SNAP/42 C | 1 | * | | | | | |
| 11 | V744 - 130 - 420 - 80 | SEAL,OIL/TC30428 | 1 | * | | | | | |
| 12 | V740 - 130 - 420 - 80 | SEAL,OIL | 1 | * | | | | | |
| 13 | 1608 - 201 - 004 - 20 | METAL,BRAKE | 1 | * | | | | | |
| 14 | V740 - 120 - 350 - 80 | SEAL,OIL/SC20358 | 1 | 1- | | | | | |
| 14A | V744 - 120 - 350 - 70 | SEAL,OIL | 1 | -5737 | | | | | |
| 15 | V721 - 103 - 104 - 50 | O - RING/G45 | 1 | 5738- | | | | | |
| 16 | V211 - 260 - 801 - 60 | BOLT,SEMS (S) M8X16 | 4 | * | | | | | |
| 17 | 1608 - 201 - 005 - 10 | SHIM (BRAKE METAL) | 2 | * | | | | | |
| 18 | V201 - 260 - 809 - 50 | BOLT/M8X95 | 6 | * | | | | | |
| 19 | V211 - 260 - 803 - 00 | BOLT,SEMS | 6 | * | | | | | |
| 20 | V211 - 260 - 804 - 00 | BOLT,SEMS | 1 | * | | | | | |
| 21 | V401 - 160 - 008 - 00 | WASHER,SP/M 8 | 6 | * | | | | | |

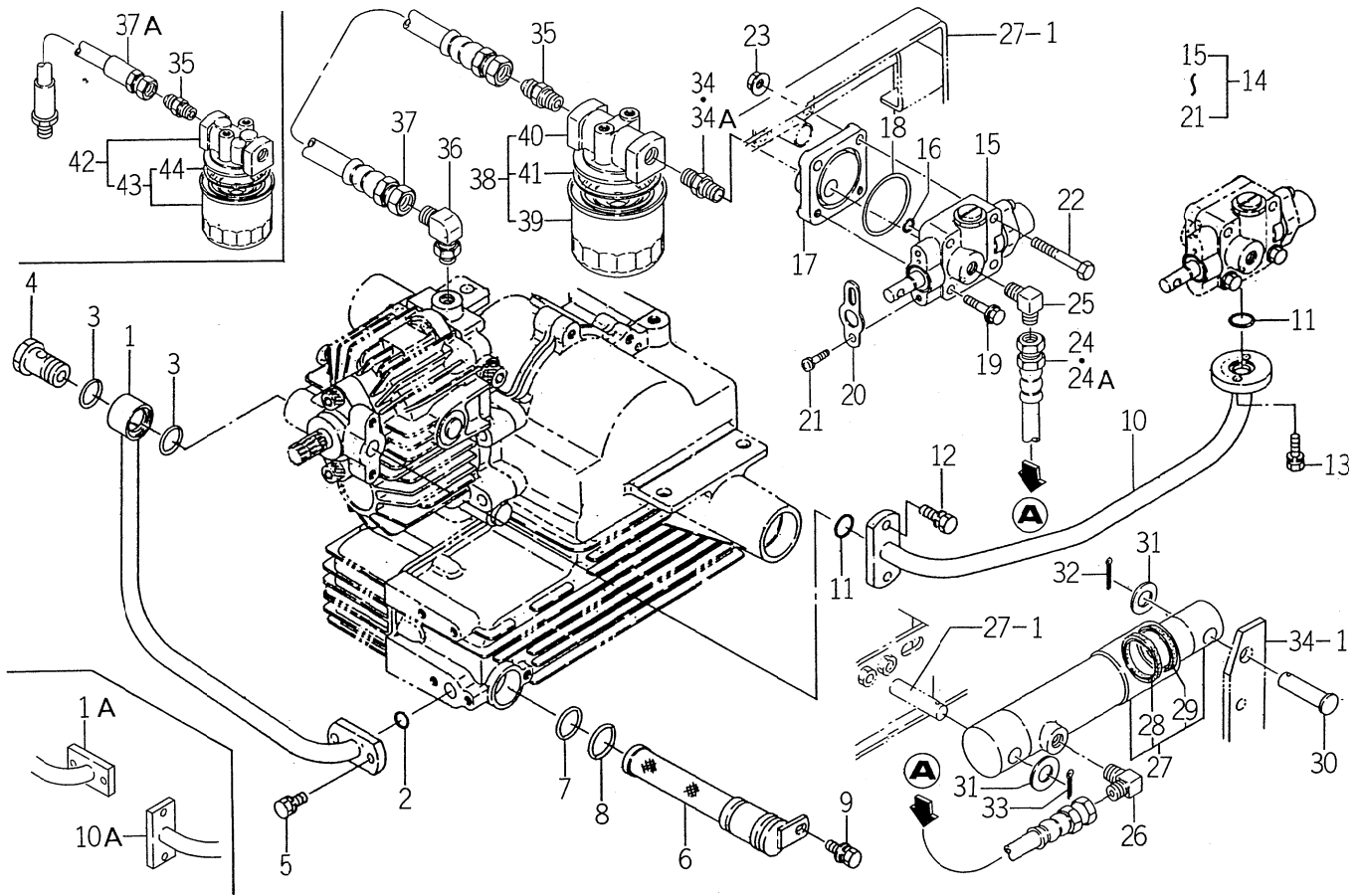
FIG. 10 TRASMISSION SYSTEM



1608-201

| KEY | PART CODE | DESCRIPTION | QTY | TYPE OF MODEL | | I T C | C O L | G R P | REMARKS |
|-----|-----------------------|-----------------------|-----|---------------|--|-------------|-------------|-------------|---------|
| | | | | SG15H | | | | | |
| 22 | 2137 - 223 - 004 - 00 | ADAPTER (STRAIGHT) | 1 | * | | | | | |
| 23 | 7955 - 201 - 026 - 00 | PLUG,DRAIN (1/4) | 1 | * | | | | | |
| 24 | 1608 - 201 - 200 - 20 | PLATE,FILLER COMP | 1 | * | | | | | |
| 25 | V211 - 260 - 802 - 00 | BOLT,SEMS (S) | 1 | * | | | | | |
| 26 | 1608 - 201 - 006 - 10 | HOSE/ 370 | 1 | 1- -350 | | | | | |
| 26A | 1608 - 201 - 006 - 20 | HOSE/ 360 | 1 | 351- | | | | | |
| 27 | 1608 - 201 - 013 - 00 | SPRING (HC135) | 1 | * | | | | | |
| 28 | J061 - 114 - 024 - 00 | CLAMP,WORM/14 - 24 | 2 | * | | | | | |
| 29 | 1608 - 201 - 008 - 10 | HOSE/ 320 | 1 | * | | | | | |
| 30 | J062 - 104 - 111 - 00 | CLIP/HOSE/10.4 - 11.1 | 2 | * | | | | | |
| 31 | 2111 - 101 - 011 - 00 | PLUG,OIL | 1 | * | | | | | |
| 32 | 3631 - 353 - 001 - 10 | ADAPTER (LOW PRESS) | 1 | * | | | | | |
| 33 | V201 - 461 - 003 - 00 | BOLT/M3 | 4 | * | | | | | |
| 34 | V401 - 160 - 010 - 00 | WASHER,SP/M10 | 4 | * | | | | | |
| 35 | 1608 - 201 - 011 - 10 | PLATE (CASE) | 1 | 1- -4119 | | | | | |
| 35A | 1608 - 201 - 011 - 20 | PLATE/CASE | 1 | 4120- | | | | | |
| 36 | V211 - 561 - 002 - 00 | BOLT/M10X20 | 2 | * | | | | | |
| 37 | V211 - 561 - 001 - 60 | BOLT (S) 7 | 2 | * | | | | | |

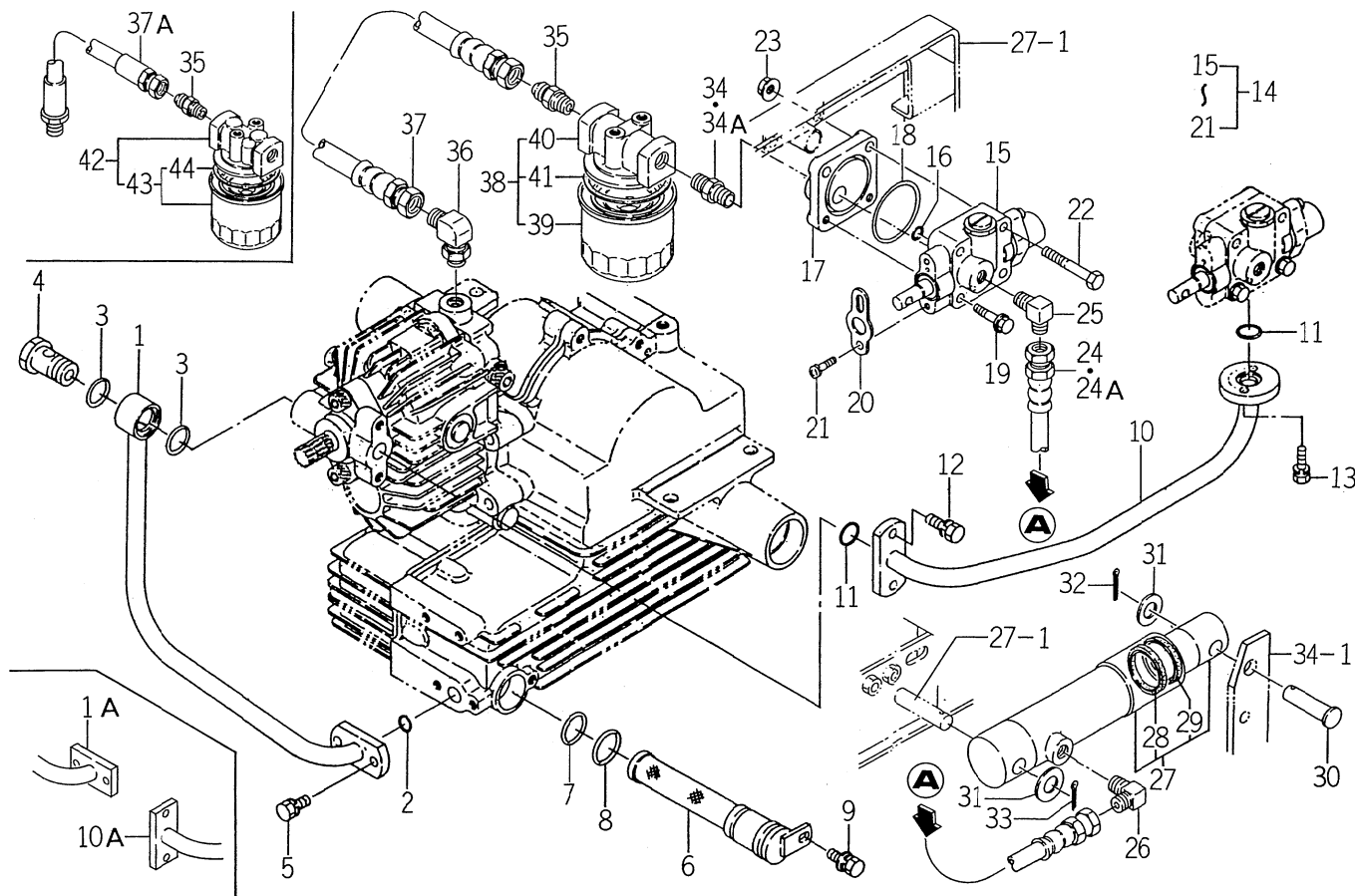
FIG. 13 HST SYSTEM (2)



1608-206

| KEY | PART CODE | DESCRIPTION | QTY | TYPE OF MODEL | | I T C | C O L | G R P | REMARKS |
|-----|-----------------------|----------------------|-----|---------------|--|-------------|-------------|-------------|---------|
| | | | | SG15H | | | | | |
| 1 | 1608 - 206 - 200 - 20 | PIPE,SUCTION COMP | 1 | 1- | | | | | |
| 1A | 1608 - 206 - 200 - 30 | PIPE,SUCTION COMP | 1 | -382 | | | | | |
| 2 | V720 - 102 - 401 - 80 | O - RING/P18 | 1 | * | | | | | |
| 3 | V720 - 102 - 402 - 20 | O - RING/P22 | 2 | * | | | | | |
| 4 | 1608 - 206 - 001 - 00 | BOLT,CONNECTER/PF1/2 | 1 | * | | | | | |
| 5 | V211 - 260 - 801 - 60 | BOLT,SEMS (S) M8X16 | 2 | * | | | | | |
| 6 | 1435 - 201 - 220 - 00 | FILTER,SUCTION (HST) | 1 | * | | | | | |
| 7 | V720 - 103 - 502 - 40 | O - RING/P24 | 1 | * | | | | | |
| 8 | V720 - 103 - 502 - 60 | O - RING/P26 | 1 | * | | | | | |
| 9 | V211 - 360 - 801 - 60 | BOLT,SEMS (SP) | 1 | * | | | | | |
| 10 | 1608 - 206 - 210 - 10 | PIPE,BUST COMP | 1 | 1- | | | | | |
| 10A | 1608 - 206 - 210 - 20 | PIPE,BUST COMP | 1 | -382 | | | | | |
| 11 | V720 - 102 - 401 - 80 | O - RING/P18 | 2 | * | | | | | |
| 12 | V211 - 260 - 802 - 00 | BOLT,SEMS (S) | 2 | * | | | | | |
| 13 | V210 - 260 - 602 - 00 | BOLT,SEMS (S) | 2 | * | | | | | |
| 14 | K211 - 012 - 000 - 00 | VALVE,CONTROL ASSY | 1 | * | | | | | |
| 15 | K211 - 012 - 100 - 00 | VALVE SET | 1 | * | | | | | |
| 16 | V720 - 101 - 900 - 60 | O - RING/P 6 | 1 | * | | | | | |
| 17 | K211 - 012 - 008 - 00 | COVER,BODY | 1 | * | | | | | |
| 18 | V721 - 103 - 105 - 50 | O - RING/G55 | 1 | * | | | | | |
| 19 | V211 - 260 - 804 - 50 | BOLT (S) M8X45 | 2 | * | | | | | |
| 20 | K211 - 012 - 011 - 00 | PLATE | 1 | * | | | | | |
| 21 | V120 - 266 - 001 - 20 | SCREW | 2 | * | | | | | |
| 22 | V201 - 260 - 806 - 00 | BOLT/M 8X60 | 2 | * | | | | | |
| 23 | V363 - 260 - 008 - 00 | NUT,LOCK/M8 | 2 | * | | | | | |

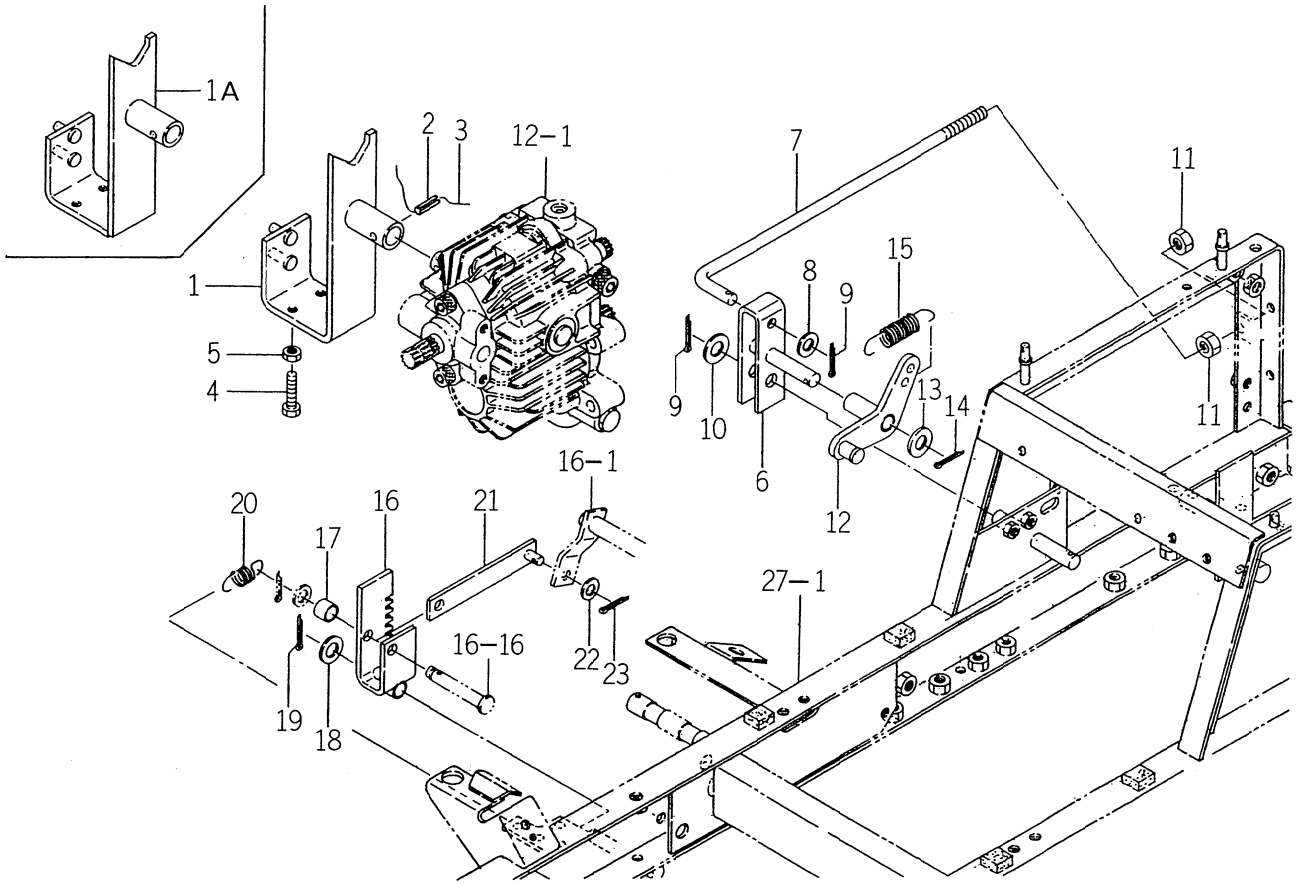
FIG. 13 HST SYSTEM (2)



1608-206

| KEY | PART CODE | DESCRIPTION | QTY | TYPE OF MODEL | | I T C | C O L | G R P | REMARKS |
|-----|-----------------------|------------------------|-----|---------------|--|-------------|-------------|-------------|---------|
| | | | | SG15H | | | | | |
| 24 | 3659 - 352 - 002 - 00 | HOSE/530 | 1 | 1- | | | | | |
| 24A | 3664 - 351 - 006 - 00 | HOSE ASSY | 1 | -5 | | | | | |
| 25 | 1608 - 206 - 240 - 00 | ADAPTER (90°) ORIFICE | 1 | * | | | | | |
| 26 | 3768 - 185 - 022 - 10 | ADAPTER (90°) PUMP | 1 | * | | | | | |
| 27 | K182 - 032 - 000 - 00 | CYLINDER ASSY | 1 | * | | | | | |
| 28 | K182 - 032 - 002 - 00 | PACKING,ROD | 1 | * | | | | | |
| 29 | K182 - 032 - 003 - 00 | SEAL | 1 | * | | | | | |
| 30 | 1608 - 206 - 002 - 00 | PIN /14X54 | 1 | * | | | | | |
| 31 | V411 - 260 - 014 - 00 | WASHER,PL/M14 | 2 | * | | | | | |
| 32 | V500 - 163 - 002 - 50 | PIN,SPLIT/3 X25 | 1 | * | | | | | |
| 33 | V500 - 164 - 003 - 00 | PIN,SPLIT/4 X30 | 1 | * | | | | | |
| 34 | 1608 - 206 - 003 - 00 | ADAPTER,FILTER/A | 1 | 1- | | | | | |
| 34A | 1608 - 206 - 003 - 10 | ADAPTER,FILTER/A | 1 | -103 | | | | | |
| 35 | 1608 - 206 - 004 - 00 | ADAPTER,FILTER/B | 1 | 104- | | | | | |
| 36 | 3631 - 353 - 002 - 10 | ADAPTER,HIGH PRESS | 1 | -4973 | | | | | |
| 37 | 3656 - 354 - 004 - 10 | HOSE/450 | 1 | * | | | | | |
| 37A | 1608 - 206 - 005 - 00 | HOSE/350 | 1 | 1- | | | | | |
| 38 | 3748 - 185 - 100 - 10 | FILTER ASSY | 1 | 4974- | | | | | |
| 39 | 3748 - 185 - 101 - 00 | CARTRIDGE | 1 | 1- | | | | | |
| 40 | 3748 - 185 - 102 - 10 | COVER,FILTER | 1 | -4973 | | | | | |
| 41 | 3748 - 185 - 103 - 00 | PACKING,RUBBER | 1 | 1- | | | | | |
| 42 | 3667 - 354 - 220 - 00 | FILTER,OIL ASSY | 1 | -4973 | | | | | |
| 43 | 3667 - 354 - 230 - 00 | CARTRIDGE ASSY | 1 | 4974- | | | | | |
| 44 | 3748 - 185 - 103 - 00 | PACKING,RUBBER | 1 | 4974- | | | | | |

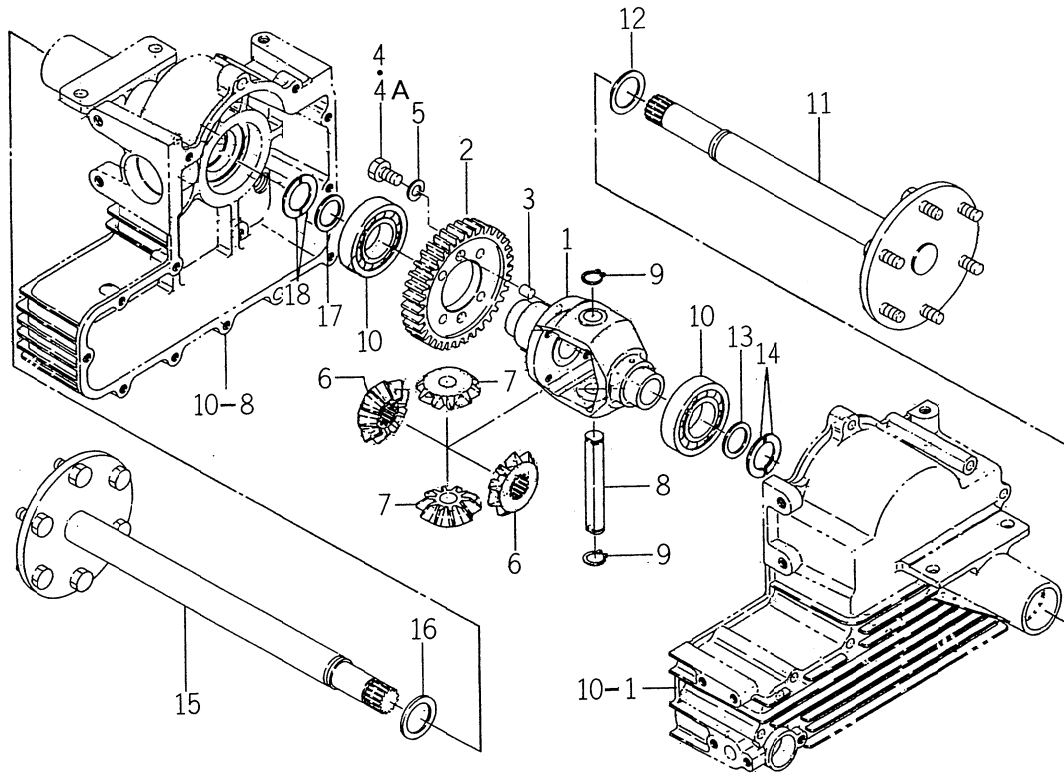
FIG. 14 HST SYSTEM (3)



1608-207

| KEY | PART CODE | DESCRIPTION | QTY | TYPE OF MODEL | | I T C | C O L | G R P | REMARKS |
|-----|-----------------------|---------------------|-----|---------------|--|-------------|-------------|-------------|---------|
| | | | | SG15H | | | | | |
| 1 | 1608 - 207 - 200 - 20 | PLATE,TRANION COMP | 1 | 1- | | | | | |
| 1A | 1608 - 207 - 200 - 30 | PLATE,TRANION COMP | 1 | -350 | | | | | |
| 2 | V580 - 140 - 602 - 50 | PIN,SPRING/6 X25 W | 1 | * | | | | | |
| 3 | V590 - 131 - 210 - 00 | WIRE/1.2X100 | 1 | * | | | | | |
| 4 | V201 - 260 - 803 - 50 | BOLT/M 8X35 | 2 | * | | | | | |
| 5 | V304 - 260 - 008 - 00 | NUT/M 8 | 2 | * | | | | | |
| 6 | 1608 - 207 - 210 - 20 | PIN,NEUTRAL | 1 | * | | | | | |
| 7 | 1608 - 207 - 011 - 00 | ROD,NEUTRAL | 1 | * | | | | | |
| 8 | V411 - 260 - 010 - 00 | WASHER/M10 | 1 | * | | | | | |
| 9 | V500 - 163 - 002 - 00 | PIN,SPLIT/3 X20 | 2 | * | | | | | |
| 10 | V411 - 260 - 012 - 00 | WASHER /M12 | 1 | * | | | | | |
| 11 | V304 - 260 - 010 - 00 | NUT | 2 | * | | | | | |
| 12 | 1608 - 207 - 220 - 20 | LOCK,NEUTRAL | 1 | * | | | | | |
| 13 | V411 - 260 - 012 - 00 | WASHER /M12 | 1 | * | | | | | |
| 14 | V500 - 163 - 002 - 00 | PIN,SPLIT/3 X20 | 1 | * | | | | | |
| 15 | 3656 - 115 - 001 - 00 | SPRING/HE085 | 1 | * | | | | | |
| 16 | 1608 - 207 - 230 - 00 | PLATE,HOOK COMP | 1 | * | | | | | |
| 17 | 1608 - 207 - 012 - 00 | COLLAR/12X16X12 | 1 | * | | | | | |
| 18 | V411 - 260 - 012 - 00 | WASHER /M12 | 2 | * | | | | | |
| 19 | V500 - 163 - 002 - 00 | PIN,SPLIT/3 X20 | 1 | * | | | | | |
| 20 | 3631 - 671 - 003 - 00 | SPRING,ROD COVER | 1 | * | | | | | |
| 21 | 1608 - 207 - 280 - 10 | PLATE,I/22X134 COMP | 1 | * | | | | | |
| 22 | V411 - 260 - 008 - 00 | WASHER,PL/M 8 | 1 | * | | | | | |
| 23 | V500 - 163 - 001 - 50 | PIN,SPLIT/3 X15 | 1 | * | | | | | |

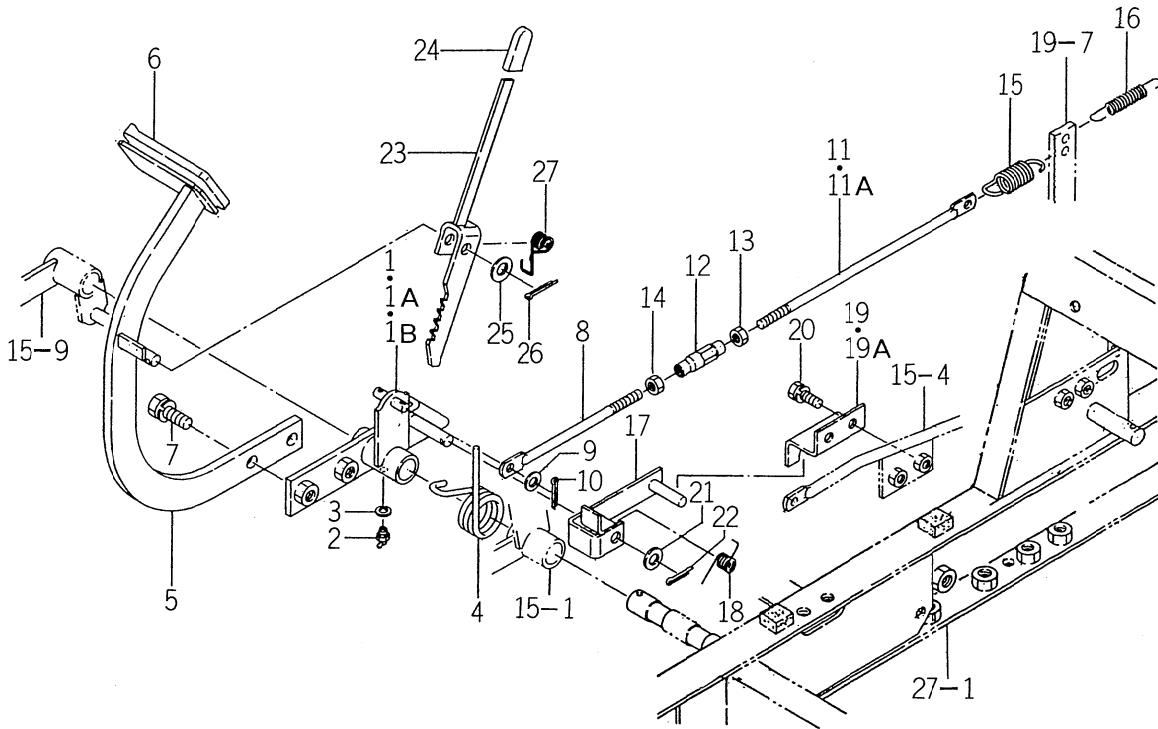
FIG. 18 CASE (DIFF) and SHAFT (WHEEL) SYSTEM



1608-304

| KEY | PART CODE | DESCRIPTION | QTY | TYPE OF MODEL | | I T C | C O L | G R P | REMARKS |
|-----|-----------------------|---------------------|-----|---------------|--|-------------|-------------|-------------|---------|
| | | | | SG15H | | | | | |
| 1 | 1593 - 304 - 051 - 20 | CASE,DIFF | 1 | * | | | | | |
| 2 | 1608 - 304 - 001 - 00 | GEAR/T40 | 1 | * | | | | | |
| 3 | 1593 - 304 - 008 - 00 | PIN /10X18 | 2 | * | | | | | |
| 4 | V203 - 461 - 002 - 50 | BOLT/M10X25 | 4 | 1- -295 | | | | | |
| 4A | 1593 - 304 - 054 - 10 | BOLT, M10X1.25X25 | 4 | 296- | | | | | |
| 5 | V401 - 160 - 010 - 00 | WASHER,SP/M10 | 4 | * | | | | | |
| 6 | 1593 - 304 - 053 - 10 | GEAR,BEVEL/12 | 2 | * | | | | | |
| 7 | 1593 - 304 - 055 - 10 | PINION,BEVEL/11 | 2 | * | | | | | |
| 8 | 1593 - 304 - 057 - 10 | PIN,DIFF PINION | 1 | * | | | | | |
| 9 | V704 - 140 - 016 - 00 | RING,SNAP/16 C | 2 | * | | | | | |
| 10 | V600 - 110 - 620 - 70 | BEARING,RB/6207 | 2 | * | | | | | |
| 11 | 1608 - 307 - 200 - 10 | SHAFT,WHEEL/LH COMP | 1 | * | | | | | |
| 12 | 1593 - 307 - 051 - 20 | COLLAR/31X41X03 | 1 | * | | | | | |
| 13 | 1593 - 307 - 052 - 10 | COLLAR/26X35X03 | 1 | * | | | | | |
| 14 | 1593 - 307 - 053 - 10 | COLLAR,WHEEL THRUST | 2 | * | | | | | |
| 15 | 1608 - 307 - 210 - 10 | SHAFT,WHEEL/RH COMP | 1 | * | | | | | |
| 16 | 1593 - 307 - 051 - 20 | COLLAR/31X41X03 | 1 | * | | | | | |
| 17 | 1593 - 307 - 052 - 10 | COLLAR/26X35X03 | 1 | * | | | | | |
| 18 | 1593 - 307 - 053 - 10 | COLLAR,WHEEL THRUST | 2 | * | | | | | |

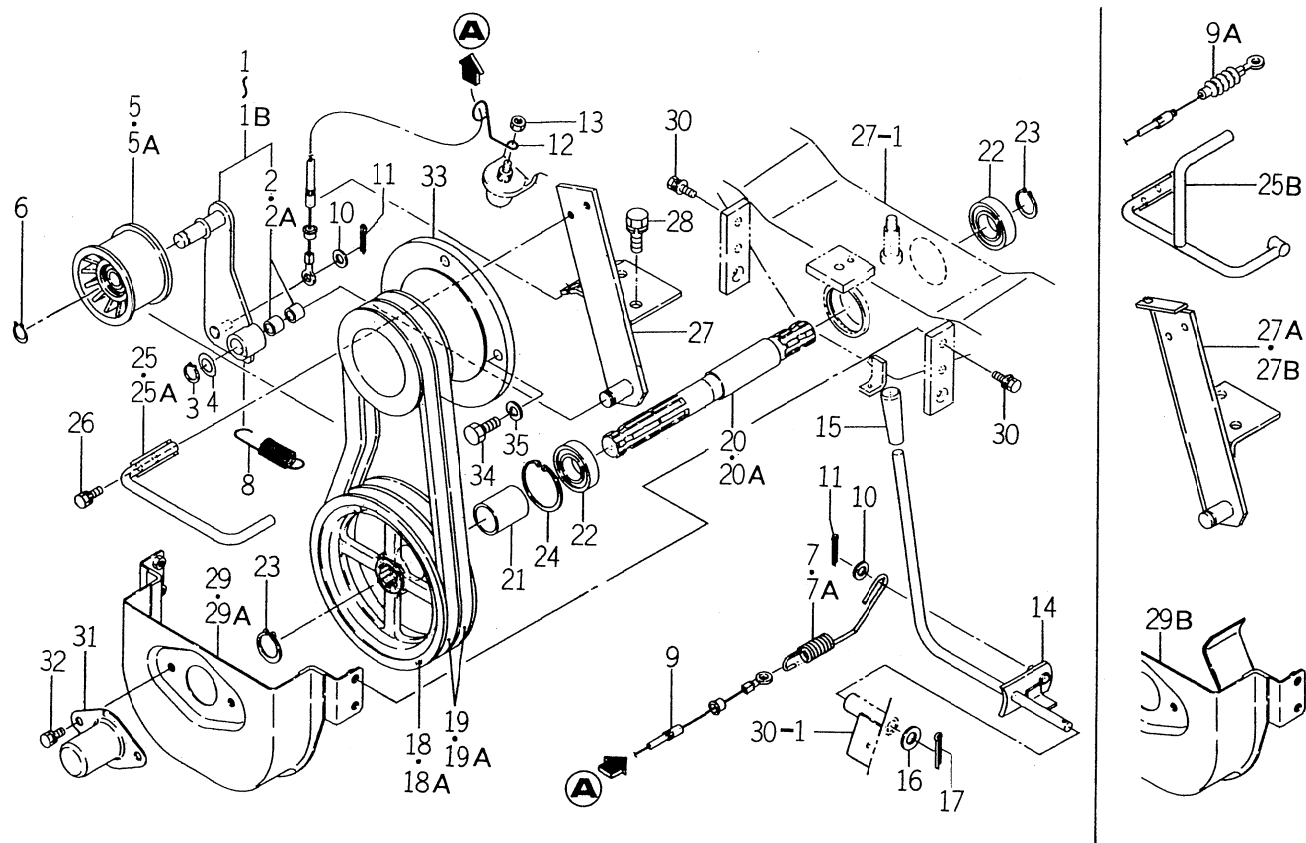
FIG. 20 ARM (BRAKE) SYSTEM



1608-312

| KEY | PART CODE | DESCRIPTION | QTY | TYPE OF MODEL | | I T C | C O L | G R P | REMARKS |
|-----|-----------------------|-------------------|-----|---------------|--|-------------|-------------|-------------|---------|
| | | | | SG15H | | | | | |
| 1 | 1608 - 312 - 200 - 20 | ARM,BRAKE | 1 | 1- | | | | | |
| 1A | 1608 - 312 - 200 - 30 | ARM,BRAKE COMP | 1 | -5 | | | | | |
| 1B | 1608 - 312 - 200 - 40 | ARM,BRAKE COMP | 1 | 6- | | | | | |
| 2 | V760 - 150 - 000 - 00 | NIPPLE,GREASE | 1 | * | | | | | |
| 3 | V401 - 160 - 006 - 00 | WASHER,SP/M 6 | 1 | * | | | | | |
| 4 | 1608 - 312 - 005 - 00 | SPRING/HT035 | 1 | * | | | | | |
| 5 | 1608 - 312 - 210 - 20 | ARM,PEDAL | 1 | * | | | | | |
| 6 | 1524 - 122 - 001 - 00 | PAD | 1 | * | | | | | |
| 7 | V211 - 261 - 002 - 50 | BOLT (S) M10X25 | 2 | * | | | | | |
| 8 | 1608 - 312 - 002 - 10 | ROD/M08X160 | 1 | * | | | | | |
| 9 | V411 - 260 - 008 - 00 | WASHER,PL/M 8 | 1 | * | | | | | |
| 10 | V500 - 163 - 001 - 50 | PIN,SPLIT/3 X15 | 1 | * | | | | | |
| 11 | 1608 - 312 - 003 - 30 | ROD/ M08X260 | 1 | 1- | | | | | |
| 11A | 1608 - 312 - 003 - 40 | ROD/M08X250 | 1 | -4134 | | | | | |
| 12 | 1444 - 122 - 002 - 00 | TURNBUCKLE/M8 | 1 | 4135- | | | | | |
| 13 | V304 - 260 - 008 - 00 | NUT/M 8 | 1 | * | | | | | |
| 14 | 1560 - 132 - 007 - 30 | NUT/M8 | 1 | * | | | | | |
| 15 | 1337 - 401 - 006 - 00 | SPRING | 1 | * | | | | | |
| 16 | 1415 - 120 - 006 - 00 | SPRING,TENSION/86 | 1 | * | | | | | |
| 17 | 1608 - 312 - 220 - 00 | PLATE,BRAKE LOCK | 1 | * | | | | | |
| 18 | 1593 - 312 - 056 - 20 | SPRING/HT013 | 1 | * | | | | | |
| 19 | 1608 - 312 - 006 - 10 | PLATE,LOCK | 1 | 1- | | | | | |
| 19A | 1608 - 312 - 006 - 20 | PLATE,LOCK | 1 | -382 | | | | | |
| 20 | V211 - 260 - 802 - 00 | BOLT,SEMS (S) | 2 | * | | | | | |
| 21 | V411 - 260 - 010 - 00 | WASHER/M10 | 1 | * | | | | | |

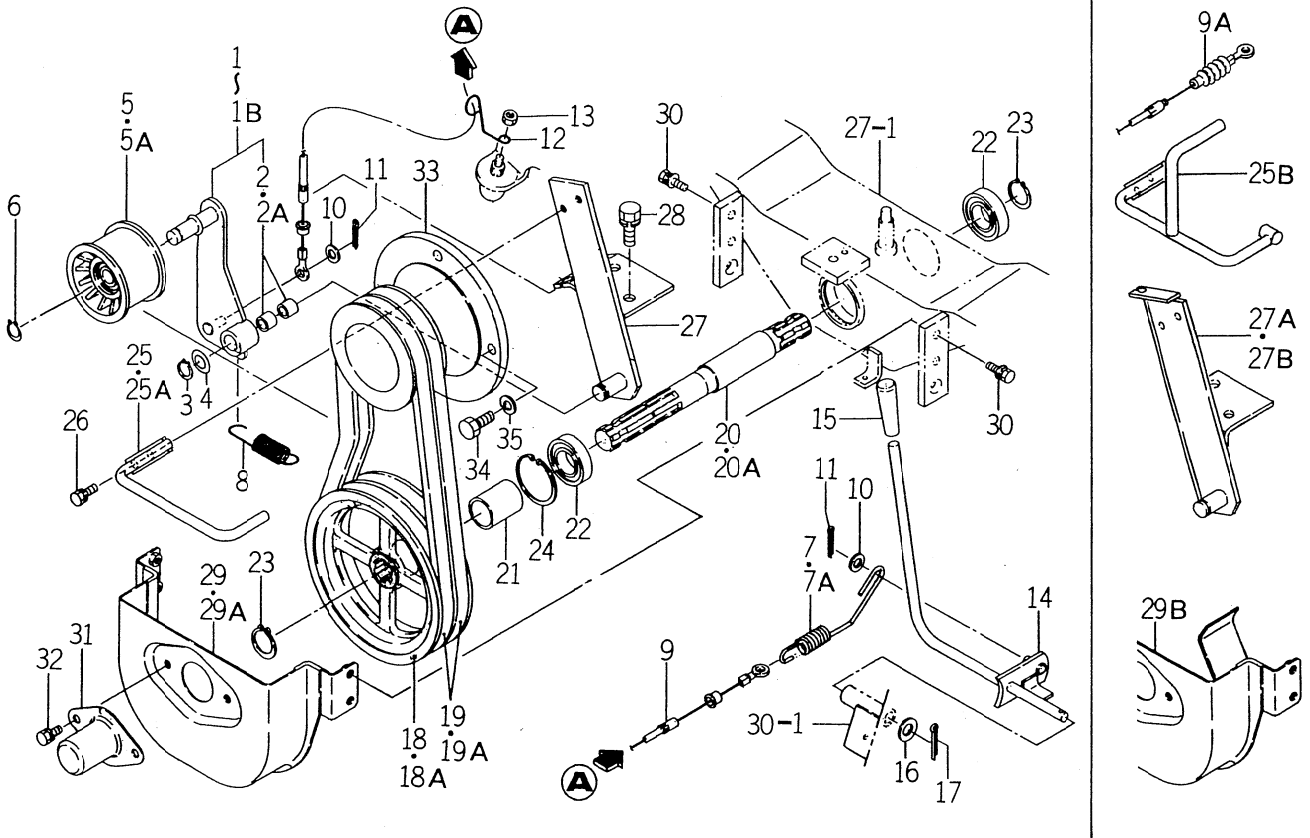
FIG. 22 LEVER (P.T.O.) and BRACKET (P.T.O./F) SYSTEM



1593-332A

| KEY | PART CODE | DESCRIPTION | QTY | TYPE OF MODEL | | I T C | C O L | G R P | REMARKS |
|-----|-----------------------|----------------------|-----|---------------|----------------|-------------|-------------|-------------|---------|
| | | | | SG15H | | | | | |
| 1 | 1593 - 332 - 520 - 10 | ARM,PTO ASSY | 1 | | 1- | | | | |
| 1A | 1593 - 332 - 520 - 20 | ARM,PTO ASSY | 1 | | -79 80- | | | | |
| 1B | 1593 - 332 - 520 - 30 | ARM,PTO ASSY | 1 | | -1243 1244- | | | | |
| 2 | 1593 - 332 - 061 - 00 | BUSH/15X17X10 | 2 | | 1- | | | | |
| 2A | 2502 - 407 - 001 - 10 | BUSH/15X17X11 | 2 | | -1243 1244- | | | | |
| 3 | V704 - 140 - 015 - 00 | RING,SNAP/15 C | 1 | | * | | | | |
| 4 | 1427 - 601 - 003 - 00 | WASHER/15X24X2 | 1 | | * | | | | |
| 5 | 3646 - 703 - 001 - 00 | PULLEY,TENSION/70X47 | 1 | | 1- | | | | |
| 5A | 3648 - 703 - 001 - 00 | PULLEY,TENSION/80X47 | 1 | | -1243 1244- | | | | |
| 6 | V704 - 140 - 015 - 00 | RING,SNAP/15 C | 1 | | * | | | | |
| 7 | 1593 - 332 - 052 - 00 | SPRING/HE014 | 1 | | 1- | | | | |
| 7A | 1593 - 332 - 052 - 10 | SPRING/ HE014 | 1 | | -5 6- | | | | |
| 8 | 1593 - 332 - 053 - 00 | SPRING/HE083 | 1 | | * | | | | |
| 9 | 1593 - 332 - 051 - 20 | CABLE,PTO | 1 | | 1- | | | | |
| 9A | 1593 - 332 - 051 - 30 | CABLE,PTO ASSY | 1 | | -4554 4555- | | | | |
| 10 | V411 - 260 - 008 - 00 | WASHER,PL/M 8 | 2 | | * | | | | |
| 11 | V500 - 163 - 001 - 50 | PIN,SPLIT/3 X15 | 2 | | * | | | | |
| 12 | 1383 - 452 - 001 - 00 | HOLDER,WIRE | 1 | | * | | | | |
| 13 | V301 - 260 - 006 - 00 | NUT/M 6 | 1 | | * | | | | |
| 14 | 1593 - 333 - 500 - 30 | LEVER,PTO | 1 | | * | | | | |
| 15 | 4106 - 105 - 303 - 00 | KNOB | 1 | | * | | | | |
| 16 | V411 - 260 - 010 - 00 | WASHER/M10 | 1 | | * | | | | |
| 17 | V500 - 163 - 002 - 50 | PIN,SPLIT/3 X25 | 1 | | * | | | | |
| 18 | 1593 - 334 - 056 - 40 | PULLEY,V/2B173 | 1 | | 1- | | | | |
| 18A | 1593 - 334 - 056 - 50 | PULLEY,V/2B173 | 1 | | -4646 4647- | | | | |

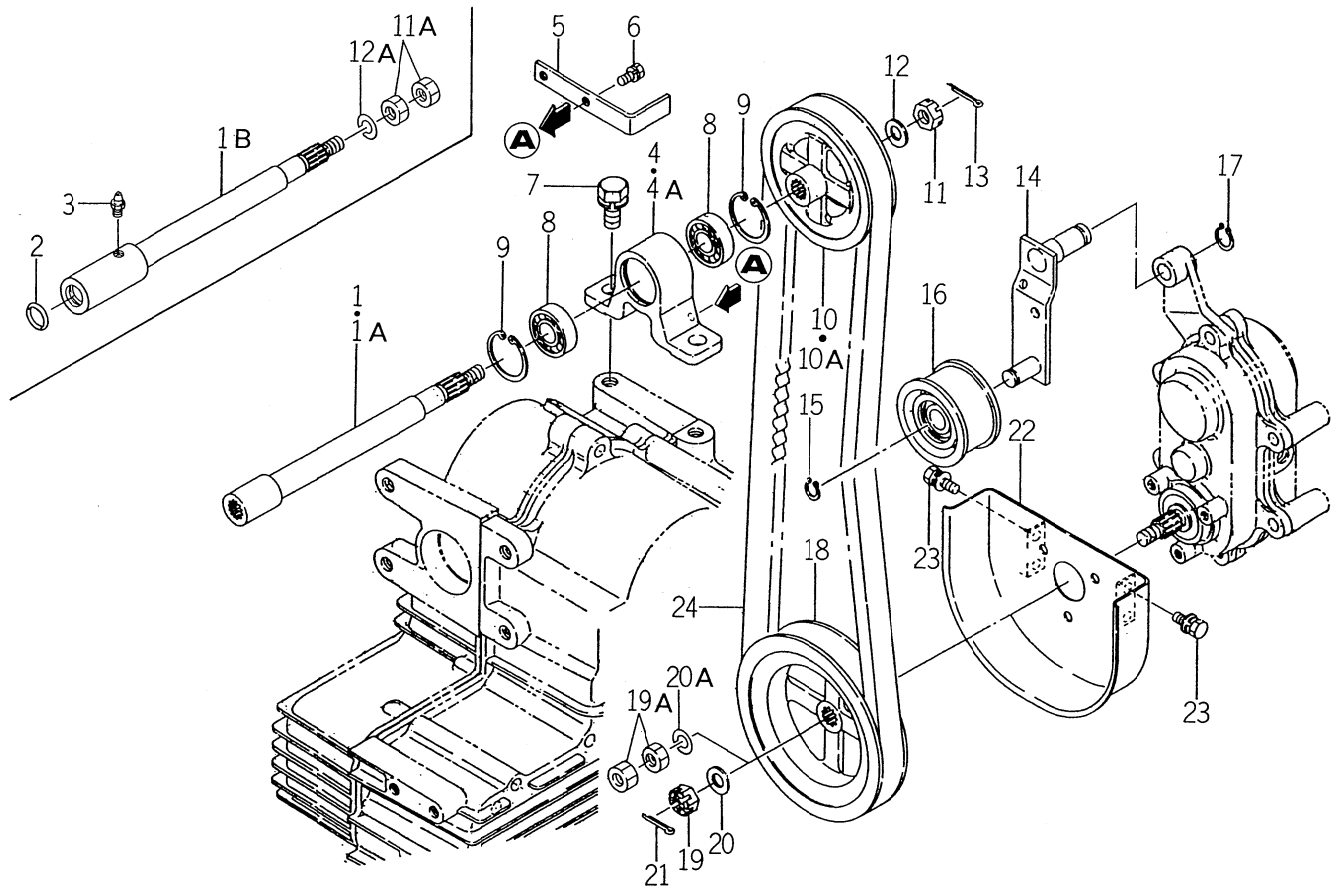
FIG. 22 LEVER (P.T.O.) and BRACKET (P.T.O./F) SYSTEM



1593-334A

| KEY | PART CODE | DESCRIPTION | QTY | TYPE OF MODEL | | I T C | C O L | G R P | REMARKS |
|-----|-----------------------|--------------------|-----|---------------|--|-------------|-------------|-------------|---------|
| | | | | SG15H | | | | | |
| 19 | 1593 - 334 - 054 - 20 | BELT/VB038 | 2 | 1- | | | | | |
| 19A | 1593 - 334 - 054 - 30 | BELT/VB038 | 2 | -4696 | | | | | |
| 20 | 1593 - 334 - 051 - 20 | SHAFT,PTO | 1 | 1- | | | | | |
| 20A | 1593 - 334 - 051 - 30 | SHAFT,PTO/F | 1 | -79 | | | | | |
| 21 | 1593 - 334 - 055 - 00 | COLLAR/26X32X41 | 1 | 80- | | | | | |
| 22 | V600 - 150 - 600 - 50 | BEARING,RB/6005SS | 2 | * | | | | | |
| 23 | V704 - 140 - 025 - 00 | RING,SNAP/25 C | 2 | * | | | | | |
| 24 | V705 - 140 - 047 - 00 | RING,SNAP/47 C | 1 | * | | | | | |
| 25 | 1593 - 334 - 300 - 00 | BAR,PTO | 1 | 1- | | | | | |
| 25A | 1593 - 334 - 300 - 10 | BAR,PTO COMP | 1 | -79 | | | | | |
| 25B | 1593 - 334 - 300 - 20 | BAR,PTO COMP | 1 | 80- | | | | | |
| 26 | V210 - 260 - 601 - 60 | BOLT,SEMS (S) | 2 | -4554 | | | | | |
| 27 | 1593 - 334 - 310 - 00 | BRACKET,PTO | 1 | 4555- | | | | | |
| 27A | 1593 - 334 - 310 - 10 | BRACKET,PTO/F COMP | 1 | 5001- | | | | | |
| 27B | 1593 - 334 - 310 - 20 | BRACKET,PTO/F COMP | 1 | 5002- | | | | | |
| 28 | V211 - 261 - 002 - 50 | BOLT (S) M10X25 | 2 | * | | | | | |
| 29 | 1593 - 335 - 500 - 30 | COVER,FRONT PTO | 1 | 1- | | | | | |
| 29A | 1593 - 335 - 500 - 40 | COVER,F/PTO COMP | 1 | -4580 | | | | | |
| 29B | 1593 - 335 - 500 - 50 | COVER,F/PTO COMP | 1 | 4581- | | | | | |
| 30 | V210 - 360 - 601 - 60 | BOLT (SP) /M6X16 | 4 | -4656 | | | | | |
| 31 | 1427 - 130 - 260 - 00 | CAP,SHAFT (A) COMP | 1 | 4657- | | | | | |
| 32 | V210 - 260 - 601 - 20 | BOLT,SEMS | 2 | * | | | | | |
| 33 | 1593 - 335 - 058 - 00 | PULLEY,V/2B105 | 1 | * | | | | | |
| 34 | V203 - 461 - 002 - 50 | BOLT/M10X25 | 4 | * | | | | | |
| 35 | V401 - 160 - 010 - 00 | WASHER,SP/M10 | 4 | * | | | | | |

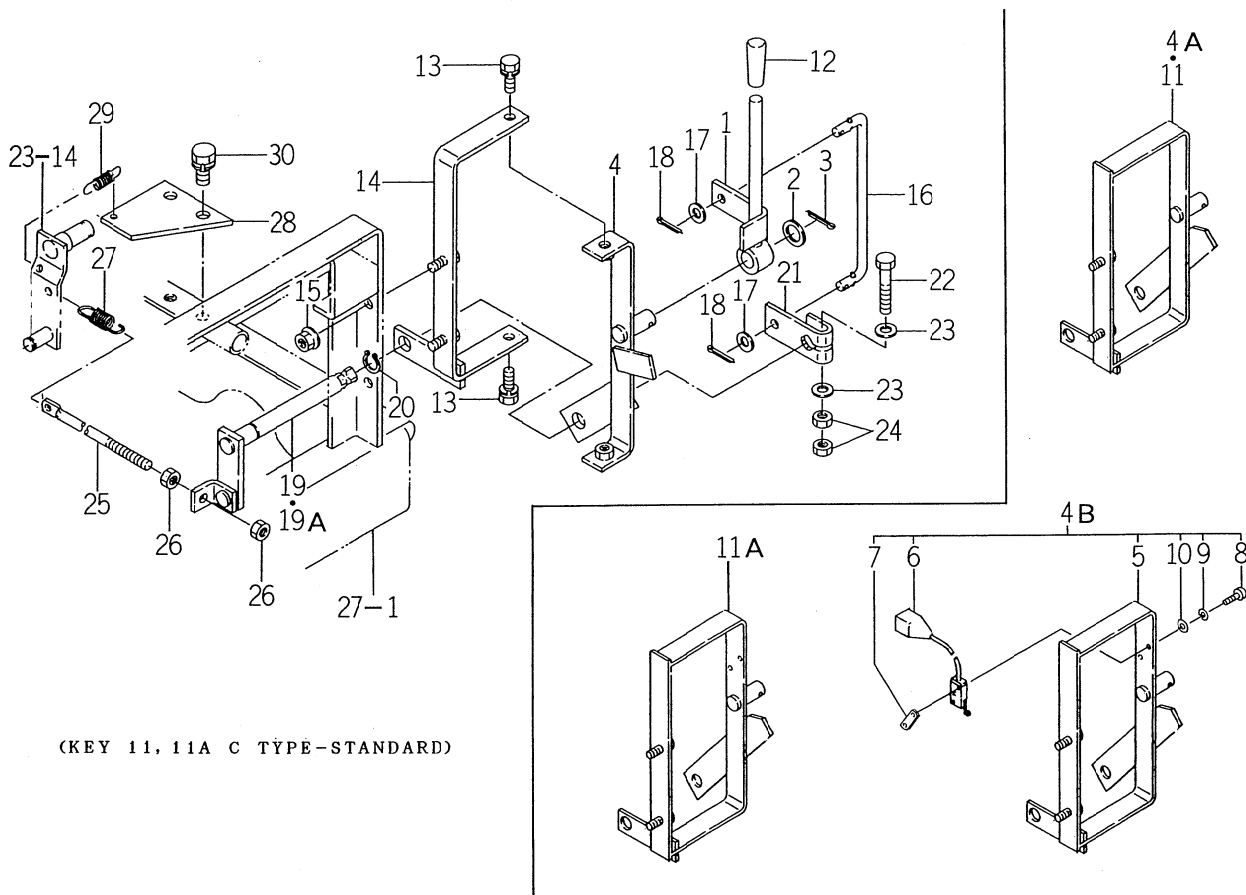
FIG. 23 SHAFT (JOINT/P.T.O.) and METAL (REAR/P.T.O.) SYSTEM (C TYPE - STANDARD • EXCEPT C,R TYPE - OPTION)



1608-341B

| KEY | PART CODE | DESCRIPTION | QTY | TYPE OF MODEL | | I T C | C O L | G R P | REMARKS |
|-----|-----------------------|----------------------|-----|---------------|----------------|-------------|-------------|-------------|---------|
| | | | | SG15H | | | | | |
| 1 | 1608 - 341 - 210 - 10 | SHAFT,JOINT/PTO | 1 | | 1- | | | | |
| 1A | 1608 - 341 - 210 - 20 | SHAFT,JOINT/PTO COMP | 1 | | -294 295- | | | | |
| 1B | 1608 - 341 - 210 - 30 | SHAFT,JOINT/PTO COMP | 1 | | -3728 3729- | | | | |
| 2 | V720 - 102 - 401 - 50 | O - RING/P15 | 1 | | 3729- | | | | |
| 3 | V760 - 150 - 000 - 00 | NIPPLE,GREASE | 1 | | * | | | | |
| 4 | 1608 - 341 - 001 - 10 | METAL,REAR PTO | 1 | | 1- | | | | |
| 4A | 1608 - 341 - 001 - 20 | METAL,REAR PTO | 1 | | -294 295- | | | | |
| 5 | 1608 - 341 - 026 - 00 | PLATE,L/16X101 | 1 | | * | | | | |
| 6 | V210 - 260 - 601 - 20 | BOLT,SEMS | 2 | | * | | | | |
| 7 | V211 - 561 - 002 - 00 | BOLT/M10X20 | 2 | | * | | | | |
| 8 | V600 - 150 - 620 - 20 | BEARING,RB/6202SS | 2 | | * | | | | |
| 9 | V705 - 140 - 035 - 00 | RING,CIRCLIP | 2 | | * | | | | |
| 10 | 1608 - 341 - 003 - 10 | PULLEY/VC100 | 1 | | 1- | | | | |
| 10A | 1608 - 341 - 003 - 20 | PULLEY/ VC100 | 1 | | -294 295- | | | | |
| 11 | V327 - 262 - 110 - 00 | NUT/M10X1.25 | 1 | | 1- | | | | |
| 11A | V331 - 460 - 010 - 00 | NUT/M10 | 2 | | -294 295- | | | | |
| 12 | 1365 - 121 - 005 - 00 | WASHER/10X20X2 | 1 | | 1- | | | | |
| 12A | V401 - 160 - 010 - 00 | WASHER,SP/M10 | 1 | | -294 295- | | | | |
| 13 | V500 - 162 - 502 - 00 | PIN,SPLIT/2.5X20 | 1 | | 1- | | | | |
| 14 | 1608 - 341 - 220 - 20 | ARM,TENTION | 1 | | -294 * | | | | |
| 15 | V704 - 140 - 012 - 00 | RING,SNAP/12 C | 1 | | * | | | | |
| 16 | 3737 - 122 - 001 - 00 | PULLEY,TENSION | 1 | | * | | | | |
| 17 | V704 - 140 - 015 - 00 | RING,SNAP/15 C | 1 | | * | | | | |
| 18 | 1608 - 341 - 006 - 10 | PULLEY/VC135 | 1 | | * | | | | |
| 19 | V327 - 262 - 110 - 00 | NUT/M10X1.25 | 1 | | 1- | | | | |
| | | | | | -294 | | | | |

FIG. 24 LEVER (P.T.O.) SYSTEM (C TYPE - STANDARD • EXCEPT C,R TYPE - OPTION)

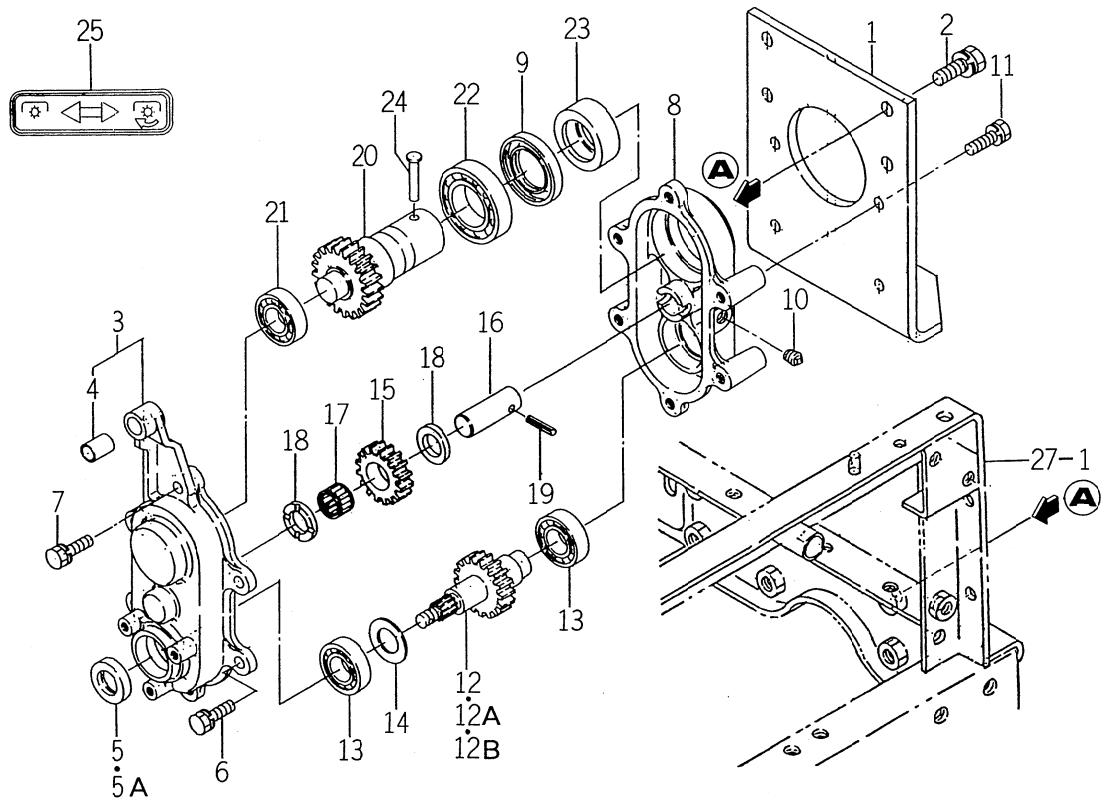


(KEY 11, 11A C TYPE-STANDARD)

1608-341

| KEY | PART CODE | DESCRIPTION | QTY | TYPE OF MODEL | | I T C | C O L | G R P | REMARKS |
|-----|-----------------------|------------------|-----|---------------|------|-------------|-------------|-------------|---------|
| | | | | S | G15H | | | | |
| 1 | 1608 - 341 - 230 - 20 | LEVER ,PTO | 1 | * | | | | | |
| 2 | 3517 - 205 - 007 - 00 | WASHER | 1 | * | | | | | |
| 3 | V500 - 163 - 002 - 50 | PIN,SPLIT/3 X25 | 1 | * | | | | | |
| 4 | 1608 - 341 - 240 - 10 | STAY ,LEVER/A | 1 | 1- -350 | | | | | |
| 4A | 1608 - 341 - 240 - 20 | STAY,LEVER COMP | 1 | 351- -5737 | | | | | |
| 4B | 1608 - 341 - 270 - 00 | STAY,LEVER ASSY | 1 | 5738- | | | | | |
| 5 | 1608 - 341 - 240 - 30 | STAY,LEVER COMP | 1 | T | | | | | |
| 6 | 1593 - 623 - 520 - 00 | SWITCH,MERIT | 1 | T | | | | | |
| 7 | 3664 - 276 - 001 - 00 | PLATE/IRX13X35 | 1 | T | | | | | |
| 8 | V111 - 163 - 002 - 00 | SCREW M3X20 | 2 | T | | | | | |
| 9 | V401 - 160 - 003 - 00 | WASHER,SP/M 3 | 2 | T | | | | | |
| 10 | V411 - 260 - 003 - 00 | WASHER/M3 | 2 | T | | | | | |
| 11 | 1608 - 341 - 240 - 20 | STAY,LEVER COMP | 1 | 1- -5737 | | | | | |
| 11A | 1608 - 341 - 240 - 30 | STAY,LEVER COMP | 1 | 5738- | | | | | |
| 12 | 4106 - 105 - 303 - 00 | KNOB | 1 | * | | | | | |
| 13 | V211 - 260 - 802 - 00 | BOLT,SEMS (S) | 2 | 1- -350 | | | | | |
| 14 | 1608 - 341 - 250 - 10 | STAY,LEVER/B | 1 | 1- -350 | | | | | |
| 15 | V363 - 260 - 008 - 00 | NUT,LOCK/M8 | 2 | * | | | | | |
| 16 | 1608 - 341 - 023 - 00 | ROD,REAR PTO | 1 | * | | | | | |
| 17 | V411 - 260 - 008 - 00 | WASHER,PL/M 8 | 2 | * | | | | | |
| 18 | V500 - 162 - 501 - 50 | PIN,SPLIT/2.5X15 | 2 | * | | | | | |
| 19 | 1608 - 341 - 260 - 20 | SHAFT COMP | 1 | 1- -350 | | | | | |
| 19A | 1608 - 341 - 260 - 30 | SHAFT COMP | 1 | 351- | | | | | |
| 20 | V704 - 140 - 015 - 00 | RING,SNAP/15 C | 1 | * | | | | | |
| 21 | 1608 - 341 - 021 - 10 | ARM (40) | 1 | * | | | | | |

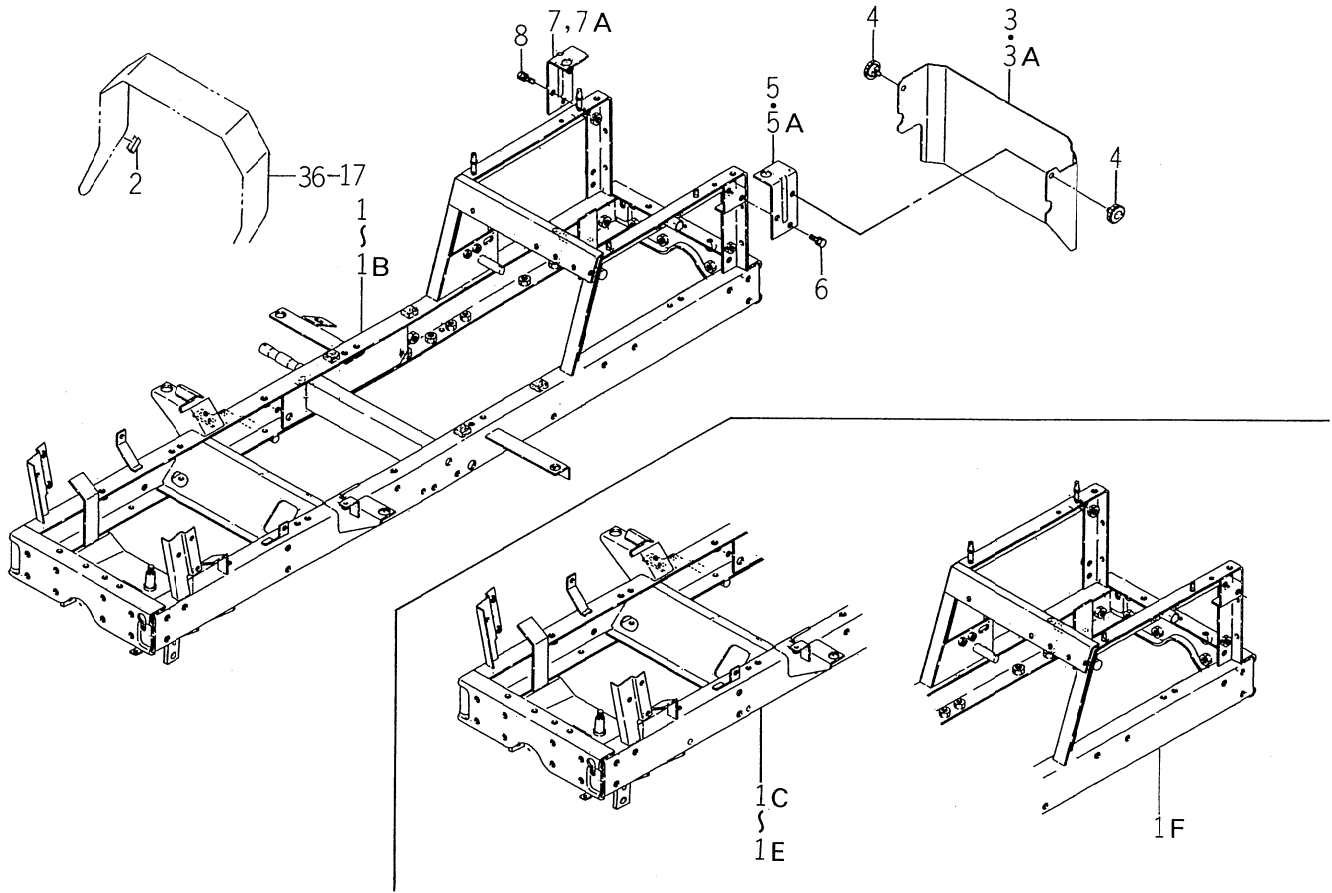
FIG. 25 CASE (P.T.O.) and SHAFT (INPUT/P.T.O.) SYSTEM (C TYPE - STANDARD • EXCEPT C ,R TYPE - OPTION)



1608-341

| KEY | PART CODE | DESCRIPTION | QTY | TYPE OF MODEL | | I T C | C O L | G R P | REMARKS |
|-----|-----------------------|------------------------|-----|---------------|--|-------------|-------------|-------------|---------|
| | | | | SG15H | | | | | |
| 1 | 1593 - 342 - 001 - 00 | PLATE/170X215 | 1 | * | | | | | |
| 2 | V211 - 261 - 002 - 50 | BOLT (S) M10X25 | 4 | * | | | | | |
| 3 | 1608 - 341 - 200 - 00 | CASE PTO/FRONT | 1 | * | | | | | |
| 4 | 1608 - 341 - 027 - 00 | BUSH/12X14X20 | 1 | * | | | | | |
| 5 | V744 - 120 - 350 - 80 | SEAL,OIL/TC20358 | 1 | 1- -5736 | | | | | |
| 5A | V744 - 120 - 350 - 70 | SEAL,OIL | 1 | 5737- | | | | | |
| 6 | V211 - 260 - 802 - 00 | BOLT,SEMS (S) | 5 | * | | | | | |
| 7 | V211 - 260 - 803 - 00 | BOLT,SEMS | 1 | * | | | | | |
| 8 | 1608 - 341 - 012 - 00 | CASE PTO/RAER | 1 | * | | | | | |
| 9 | V744 - 135 - 550 - 80 | SEAL,OIL/TC35558 | 1 | * | | | | | |
| 10 | V781 - 160 - 000 - 40 | PLUG | 1 | * | | | | | |
| 11 | V211 - 260 - 802 - 00 | BOLT,SEMS (S) | 4 | * | | | | | |
| 12 | 1608 - 341 - 310 - 10 | SHAFT,INPUT/P.T.O COMP | 1 | 1- -350 | | | | | |
| 12A | 1608 - 341 - 310 - 20 | SHAFT,INPUT/P.T.O COMP | 1 | 351- -3728 | | | | | |
| 12B | 1608 - 341 - 310 - 30 | SHAFT,INPUT/P.T.O COMP | 1 | 3729- | | | | | |
| 13 | V600 - 110 - 600 - 40 | BEARING,RB/6004 | 2 | * | | | | | |
| 14 | 1608 - 341 - 013 - 00 | COLLAR/21X35X02 | 1 | * | | | | | |
| 15 | 1608 - 341 - 014 - 10 | GEAR/T16 | 1 | * | | | | | |
| 16 | 1608 - 341 - 015 - 00 | PIN/18X52 | 1 | * | | | | | |
| 17 | V654 - 418 - 221 - 60 | NEEDLE,GAGE | 1 | * | | | | | |
| 18 | 1608 - 341 - 016 - 00 | COLLAE/18X30X05 | 2 | * | | | | | |
| 19 | V580 - 140 - 502 - 50 | PIN,SPRING/5 X25 W | 1 | * | | | | | |
| 20 | 1608 - 341 - 320 - 10 | SHAFT PTO COMP | 1 | * | | | | | |
| 21 | V600 - 110 - 600 - 40 | BEARING,RB/6004 | 1 | * | | | | | |
| 22 | V600 - 110 - 600 - 70 | BEARING,RB/6007 | 1 | * | | | | | |

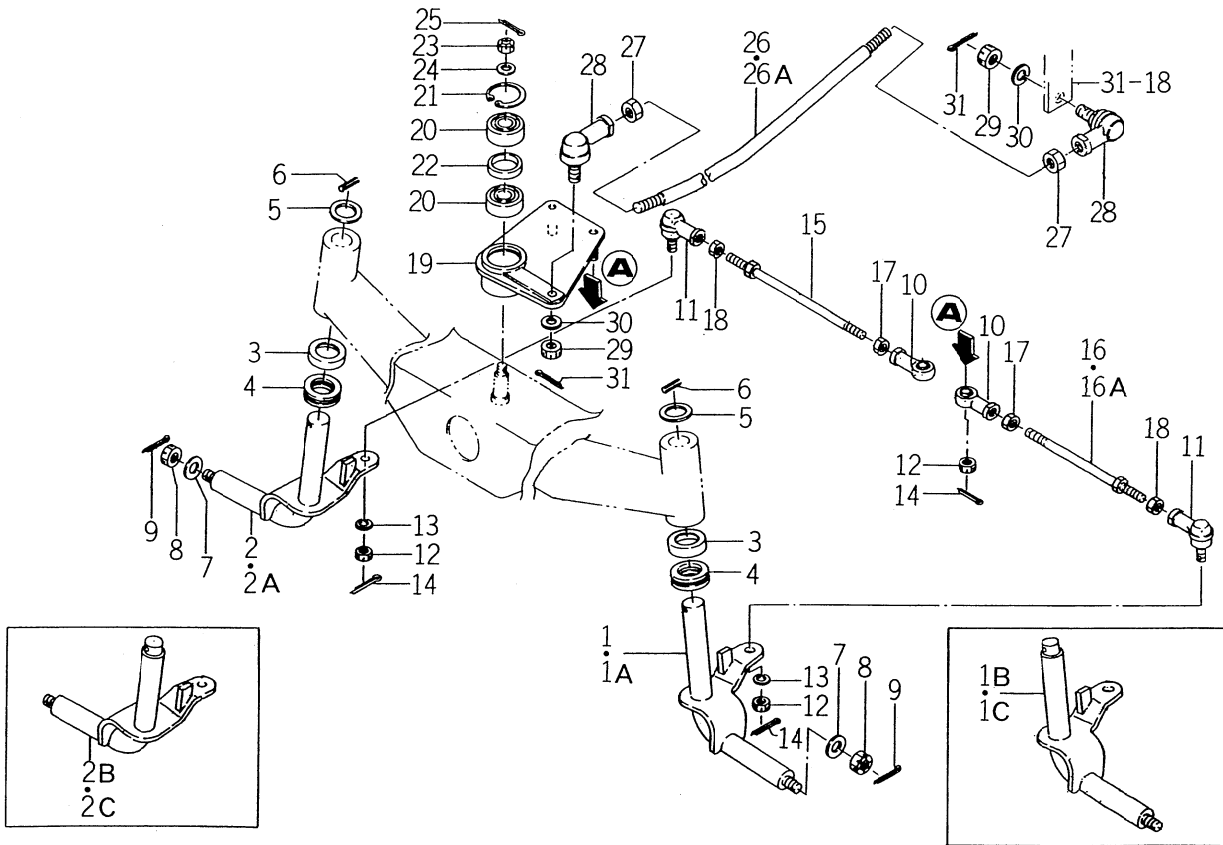
FIG. 27 CHASSIS SYSTEM



1608-401

| KEY | PART CODE | DESCRIPTION | QTY | TYPE OF MODEL | | I T C | C O L | G R P | REMARKS |
|-----|-----------------------|---------------------|-----|---------------|--|-------------|-------------|-------------|---------|
| | | | | SG15H | | | | | |
| 1 | 1608 - 401 - 200 - 30 | CHASSIS COMP | 1 | 1- | | | | | |
| 1A | 1608 - 401 - 200 - 50 | CHASSIS COMP | 1 | -144 | | | | | |
| 1B | 1608 - 401 - 200 - 60 | CHASSIS COMP | 1 | 145- | | | | | |
| 1C | 1608 - 401 - 200 - 70 | CHASSIS COMP | 1 | -350 | | | | | |
| 1D | 1608 - 401 - 200 - 80 | CHASSIS COMP | 1 | 351- | | | | | |
| 1E | 1608 - 401 - 200 - 90 | CHASSIS COMP | 1 | -1605 | | | | | |
| 1F | 1608 - 401 - 250 - 00 | CHASSIS COMP | 1 | 1606- | | | | | |
| 2 | 3666 - 202 - 005 - 00 | PAD/50 | 1 | -3490 | | | | | |
| 3 | 1593 - 401 - 071 - 40 | COVER,REAR | 1 | 3491- | | | | | |
| 3A | 1593 - 401 - 071 - 50 | COVER,REAR | 1 | -4357 | | | | | |
| 4 | 3623 - 820 - 013 - 00 | KNOB,SET/12 | 2 | 4358- | | | | | |
| 5 | 1593 - 401 - 570 - 00 | PLATE,FENDER/LH | 1 | -100095 | | | | | |
| 5A | 1631 - 401 - 300 - 00 | STAY,FENDER/LH COMP | 1 | 100096- | | | | | |
| 6 | V211 - 260 - 801 - 60 | BOLT,SEMS (S) M8X16 | 2 | * | | | | | |
| 7 | 1593 - 401 - 580 - 00 | PLATE,FENDER/RH | 1 | 1- | | | | | |
| 7A | 1631 - 401 - 310 - 00 | STAY,FENDER/RH COMP | 1 | -100095 | | | | | |
| 8 | V211 - 260 - 801 - 60 | BOLT,SEMS (S) M8X16 | 2 | 100096- | | | | | |
| | | | | * | | | | | |

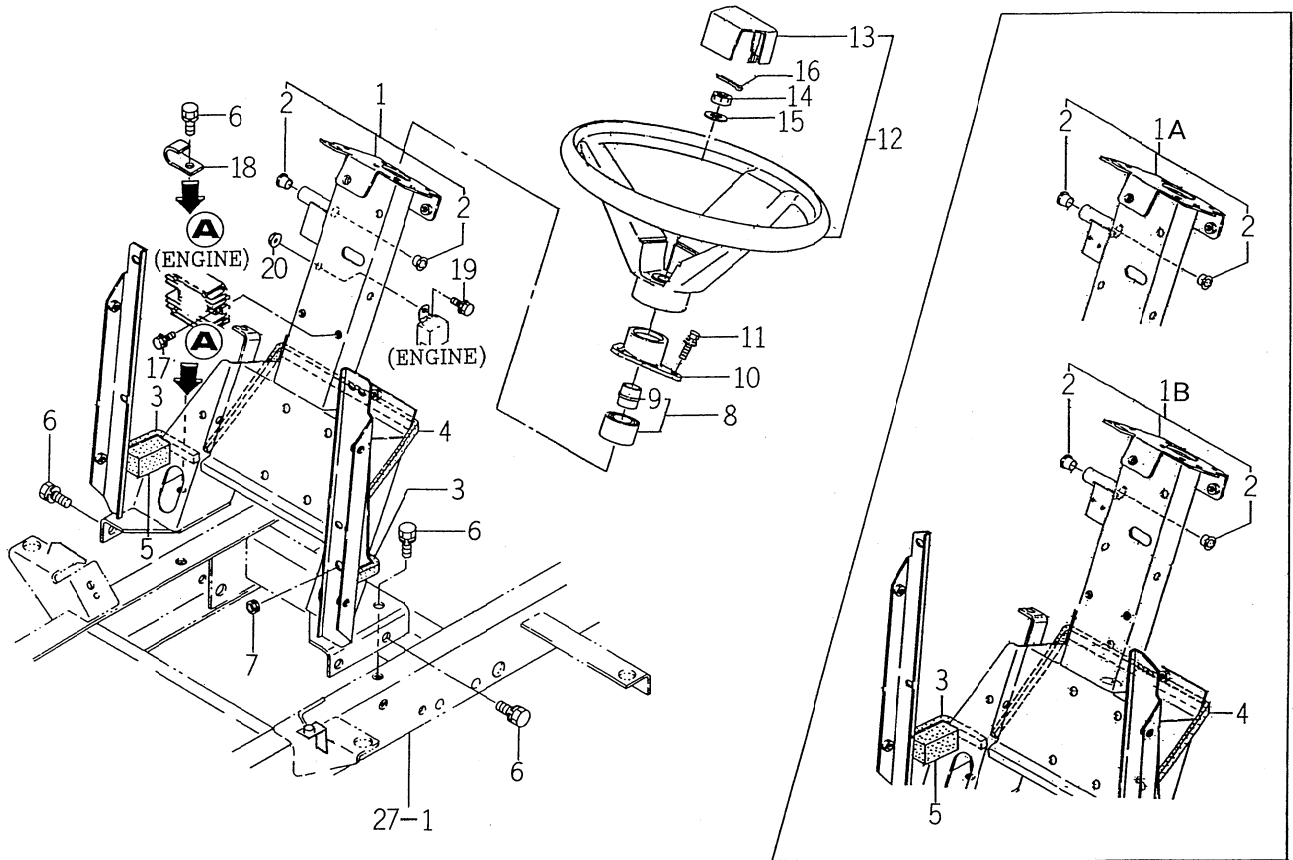
FIG. 29 ARM (KNUCKLE) and ARM (PITMAN) SYSTEM



1593-403A

| KEY | PART CODE | DESCRIPTION | QTY | TYPE OF MODEL | | I T C | C O L | G R P | REMARKS |
|-----|-----------------------|---------------------|-----|---------------|--|-------------|-------------|-------------|---------|
| | | | | SG15H | | | | | |
| 1 | 1593 - 403 - 500 - 50 | ARM,KNUCKLE/LH | 1 | 1-5 | | | | | |
| 1A | 1593 - 403 - 500 - 60 | ARM,KNUCKLE/LH COMP | 1 | 6-2358 | | | | | |
| 1B | 1593 - 403 - 500 - 70 | ARM,KNUCKLE/LH COMP | 1 | 2359-100085 | | | | | |
| 1C | 1593 - 403 - 500 - 80 | ARM,KNUCKLE/LH COMP | 1 | 100086- | | | | | |
| 2 | 1593 - 403 - 510 - 50 | ARM (KNUCKLE/RH) | 1 | 1-5 | | | | | |
| 2A | 1593 - 403 - 510 - 60 | ARM,KNUCKLE/RH COMP | 1 | 6-2358 | | | | | |
| 2B | 1593 - 403 - 510 - 70 | ARM,KNUCKLE/RH COMP | 1 | 2359-100085 | | | | | |
| 2C | 1593 - 403 - 510 - 80 | ARM,KNUCKLE/RH COMP | 1 | 100086- | | | | | |
| 3 | 1593 - 403 - 004 - 10 | COVER/44X10 | 2 | * | | | | | |
| 4 | 1593 - 403 - 009 - 00 | BEARING,BALL THRUST | 2 | * | | | | | |
| 5 | V411 - 260 - 018 - 00 | WASHER | 2 | * | | | | | |
| 6 | V580 - 140 - 503 - 20 | PIN,SPRING/5 X32 W | 2 | * | | | | | |
| 7 | 3621 - 702 - 003 - 00 | WASHER,PULLEY | 2 | * | | | | | |
| 8 | V328 - 262 - 112 - 00 | NUT/M12X1.25 | 2 | * | | | | | |
| 9 | V500 - 163 - 002 - 50 | PIN,SPLIT/3 X25 | 2 | * | | | | | |
| 10 | 1593 - 403 - 003 - 10 | JOINT,BALL/LH | 2 | * | | | | | |
| 11 | 1593 - 403 - 001 - 10 | JOINT,BALL/RH | 2 | * | | | | | |
| 12 | V328 - 262 - 110 - 00 | NUT/M10X1.25 | 4 | * | | | | | |
| 13 | V401 - 160 - 010 - 00 | WASHER,SP/M10 | 2 | * | | | | | |
| 14 | V500 - 162 - 502 - 00 | PIN,SPLIT/2.5X20 | 4 | * | | | | | |
| 15 | 1593 - 403 - 052 - 30 | ROD/D = 8.90 - 8.94 | 1 | * | | | | | |
| 16 | 1593 - 403 - 056 - 30 | ROD/D = 8.90 - 8.94 | 1 | 1-6914 | | | | | |
| 16A | 1593 - 403 - 056 - 40 | ROD/M10X193 | 1 | 6915- | | | | | |
| 17 | 3625 - 212 - 007 - 00 | NUT/M10 | 2 | * | | | | | |
| 18 | V334 - 260 - 010 - 00 | NUT/M10 | 2 | * | | | | | |

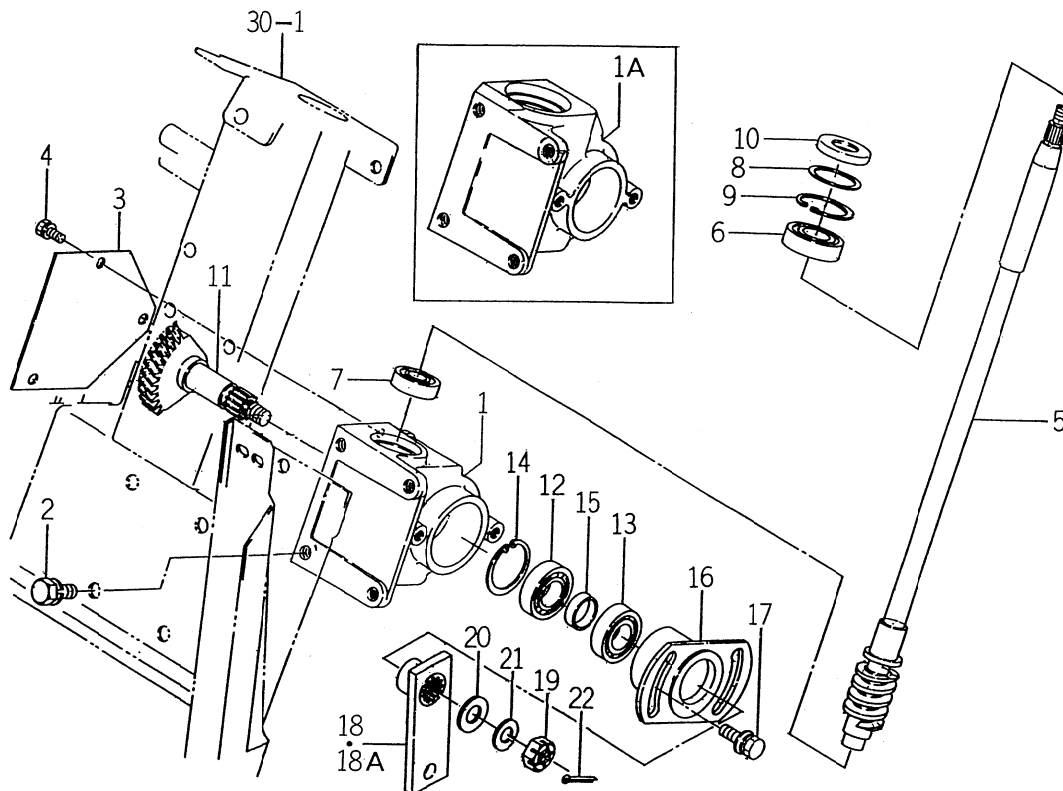
FIG. 30 POST (STEERING) and WHEEL (STEERING) SYSTEM



1593-406A

| KEY | PART CODE | DESCRIPTION | QTY | TYPE OF MODEL | | I T C | C O L | G R P | REMARKS |
|-----|-----------------------|----------------------|-----|---------------|--|-------------|-------------|-------------|---------|
| | | | | SG15H | | | | | |
| 1 | 1593 - 406 - 500 - 10 | POST,STEERING ASSY | 1 | 1- | | | | | |
| 1A | 1593 - 406 - 500 - 20 | POST,STEERING ASSY | 1 | -3705 | | | | | |
| 1B | 1593 - 406 - 500 - 30 | POST,STEERING ASSY | 1 | 3706- | | | | | |
| 2 | 1564 - 512 - 001 - 00 | BUSH/10X12X10 | 2 | * | | | | | |
| 3 | 1593 - 601 - 069 - 00 | SEAL/15X20X120 | 2 | * | | | | | |
| 4 | 1593 - 601 - 065 - 10 | SEAL/20X15X530 | 1 | * | | | | | |
| 5 | 1593 - 406 - 008 - 00 | SEAL/30X30X50 | 2 | * | | | | | |
| 6 | V211 - 261 - 002 - 50 | BOLT (S) M10X25 | 6 | * | | | | | |
| 7 | 1427 - 621 - 012 - 00 | GROMMET | 1 | * | | | | | |
| 8 | 1593 - 406 - 250 - 00 | COLUMN,STEERING ASSY | 1 | * | | | | | |
| 9 | 1593 - 406 - 005 - 10 | BUSH,COLUMN | 1 | * | | | | | |
| 10 | 1593 - 406 - 004 - 00 | HUB,STEERING COLUMN | 1 | * | | | | | |
| 11 | V210 - 360 - 602 - 00 | BOLT/SP | 3 | * | | | | | |
| 12 | 1593 - 406 - 240 - 10 | WHEEL,STEERING ASSY | 1 | * | | | | | |
| 13 | 1593 - 406 - 006 - 00 | PAD,STEERING WHEEL | 1 | * | | | | | |
| 14 | V328 - 262 - 110 - 00 | NUT/M10X1.25 | 1 | * | | | | | |
| 15 | V411 - 260 - 010 - 00 | WASHER/M10 | 1 | * | | | | | |
| 16 | V500 - 162 - 502 - 00 | PIN,SPLIT/2.5X20 | 1 | * | | | | | |
| 17 | V210 - 360 - 602 - 00 | BOLT/SP | 2 | * | | | | | |
| 18 | 3737 - 172 - 011 - 00 | CLAMP,HARNESS | 1 | * | | | | | |
| 19 | V211 - 360 - 801 - 60 | BOLT,SEMS (SP) | 1 | * | | | | | |
| 20 | V363 - 260 - 008 - 00 | NUT,LOCK/M8 | 1 | * | | | | | |

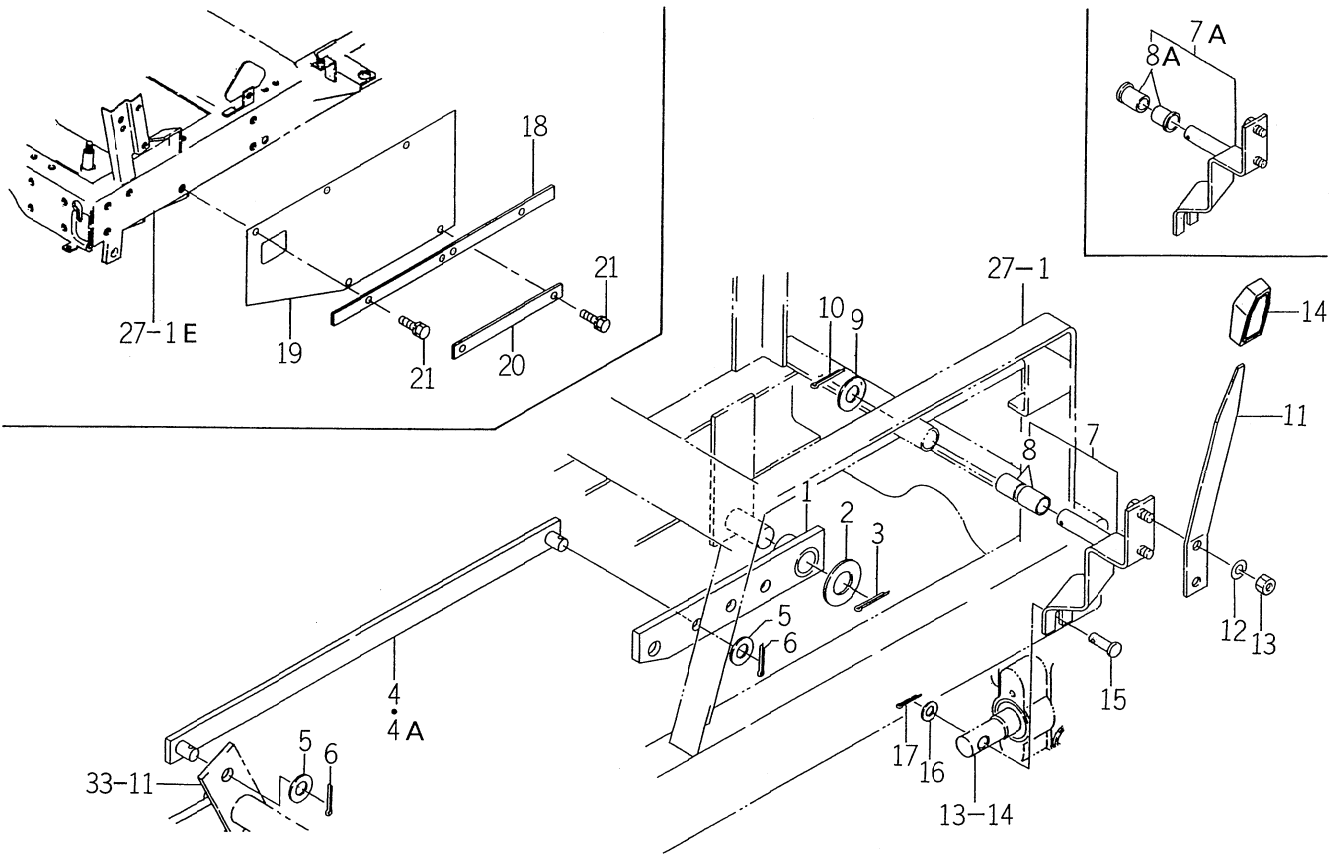
FIG. 31 CASE (STEERING) and SHAFT (STEERING) SYSTEM



1593-407A

| KEY | PART CODE | DESCRIPTION | QTY | TYPE OF MODEL | | I T C | C O L | G R P | REMARKS |
|-----|-----------------------|------------------|-----|---------------|-------------|-------------|-------------|-------------|---------|
| | | | | SG15H | | | | | |
| 1 | 1593 - 407 - 051 - 50 | CASE,STEERING | 1 | | 1- -3357 | | | | |
| 1A | 1593 - 407 - 051 - 60 | CASE,STEERING | 1 | | 3358- | | | | |
| 2 | V211 - 261 - 002 - 00 | BOLT,SEMS | 4 | * | | | | | |
| 3 | 1593 - 407 - 004 - 40 | PLATE,STEERING | 1 | * | | | | | |
| 4 | V210 - 260 - 601 - 20 | BOLT,SEMS | 3 | * | | | | | |
| 5 | 1593 - 407 - 200 - 40 | SHAFT,STEERING | 1 | * | | | | | |
| 6 | 1593 - 407 - 002 - 00 | BEARING,RB/7004 | 1 | * | | | | | |
| 7 | 1593 - 407 - 006 - 00 | BEARING,RB/7202 | 1 | * | | | | | |
| 8 | 1480 - 207 - 011 - 00 | WASHER/31X42X1 | 1 | * | | | | | |
| 9 | V705 - 140 - 042 - 00 | RING,SNAP/42 C | 1 | * | | | | | |
| 10 | V742 - 120 - 420 - 60 | SEAL,OIL/VC20426 | 1 | * | | | | | |
| 11 | 1593 - 407 - 510 - 50 | GEAR,HELICAL/T72 | 1 | * | | | | | |
| 12 | V600 - 110 - 600 - 40 | BEARING,RB/6004 | 1 | * | | | | | |
| 13 | V600 - 140 - 600 - 40 | BEARING,RB/6004S | 1 | * | | | | | |
| 14 | V705 - 140 - 042 - 00 | RING,SNAP/42 C | 1 | * | | | | | |
| 15 | 1593 - 407 - 007 - 10 | COLLAR/21X25X08 | 1 | * | | | | | |
| 16 | 1593 - 407 - 520 - 30 | FLANGE,CONTROL | 1 | * | | | | | |
| 17 | V211 - 360 - 802 - 00 | BOLT (SP) M8X20 | 2 | * | | | | | |
| 18 | 1593 - 407 - 530 - 30 | ARM,DRAG | 1 | | 1- -6788 | | | | |
| 18A | 1593 - 407 - 530 - 40 | ARM,DRAG COMP | 1 | | 6789- | | | | |
| 19 | V328 - 262 - 112 - 00 | NUT/M12X1.25 | 1 | * | | | | | |
| 20 | V411 - 260 - 012 - 00 | WASHER /M12 | 1 | * | | | | | |
| 21 | V401 - 160 - 012 - 00 | WASHER,SP/M12 | 1 | * | | | | | |
| 22 | V500 - 163 - 002 - 50 | PIN,SPLIT/3 X25 | 1 | * | | | | | |

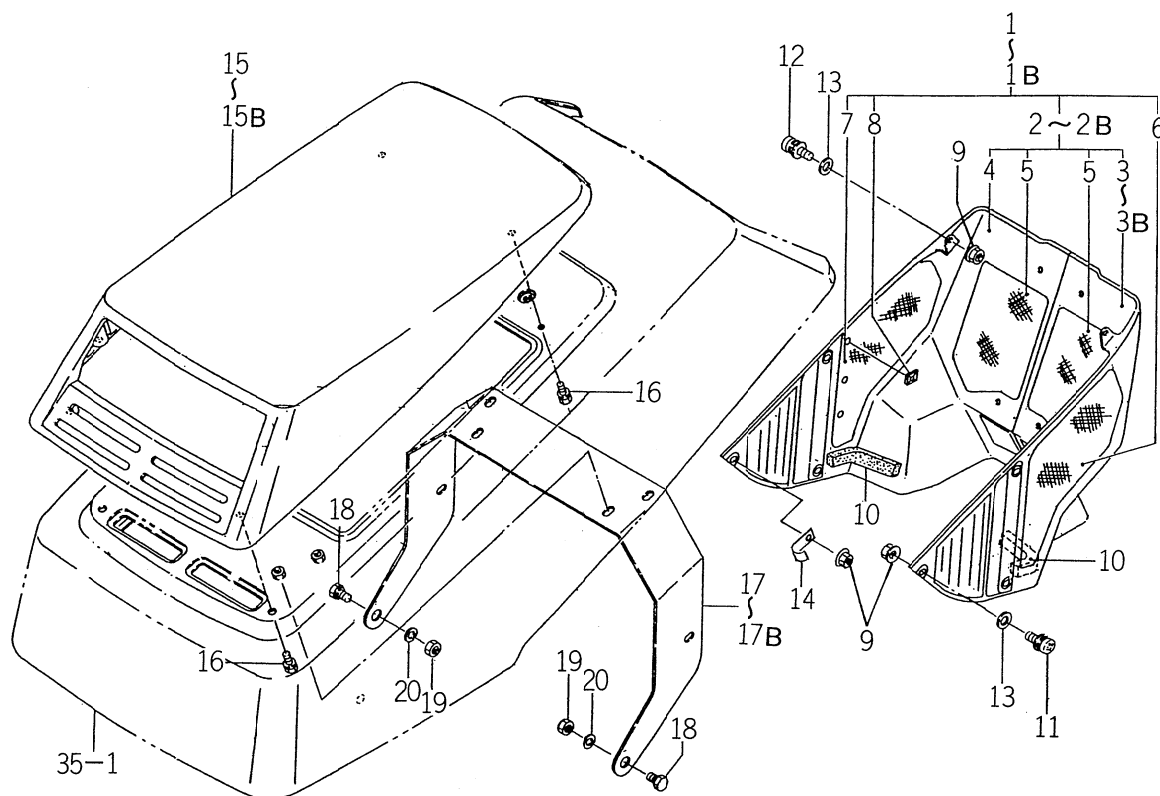
FIG. 34 ARM (LIFT,CONTROL) and COVER (P.T.O.) SYSTEM



1608-554

| KEY | PART CODE | DESCRIPTION | QTY | TYPE OF MODEL | | I T C | C O L | G R P | REMARKS |
|-----|-----------------------|---------------------|-----|---------------|--|-------------|-------------|-------------|---------|
| | | | | SG15H | | | | | |
| 1 | 1608 - 554 - 200 - 10 | ARM,LIFT | 1 | * | | | | | |
| 2 | V411 - 260 - 020 - 00 | WASHER/M20 | 1 | * | | | | | |
| 3 | V500 - 163 - 003 - 00 | PIN,SPLIT/3 X30 | 1 | * | | | | | |
| 4 | 1608 - 554 - 210 - 00 | PLATE,I/25X486 COMP | 1 | 1- | | | | | |
| 4A | 1608 - 554 - 210 - 10 | PLATE,I/25X486 COMP | 1 | -350 | | | | | |
| | | | | 351- | | | | | |
| 5 | V411 - 260 - 012 - 00 | WASHER /M12 | 3 | * | | | | | |
| 6 | V500 - 163 - 002 - 00 | PIN,SPLIT/3 X20 | 2 | * | | | | | |
| 7 | 1608 - 554 - 600 - 10 | ARM,CONTROL ASSY | 1 | 1- | | | | | |
| 7A | 1608 - 554 - 600 - 20 | ARM,CONTROL ASSY | 1 | -812 | | | | | |
| | | | | 813- | | | | | |
| 8 | 3656 - 221 - 001 - 00 | BUSH,BRUSH | 2 | 1- | | | | | |
| | | | | -812 | | | | | |
| 8A | 3656 - 221 - 001 - 10 | BUSH/15X17X16 | 2 | 813- | | | | | |
| 9 | V411 - 260 - 014 - 00 | WASHER,PL/M14 | 1 | * | | | | | |
| 10 | V500 - 163 - 002 - 00 | PIN,SPLIT/3 X20 | 1 | * | | | | | |
| 11 | 1608 - 554 - 001 - 00 | LEVER,HST LIFT | 1 | * | | | | | |
| 12 | V401 - 160 - 008 - 00 | WASHER,SP/M 8 | 2 | * | | | | | |
| 13 | V304 - 260 - 008 - 00 | NUT/M 8 | 2 | * | | | | | |
| 14 | 1432 - 242 - 004 - 00 | GRIP,B | 1 | * | | | | | |
| 15 | 1608 - 554 - 002 - 00 | PIN/08X26 | 1 | * | | | | | |
| 16 | V411 - 260 - 008 - 00 | WASHER,PL/M 8 | 1 | * | | | | | |
| 17 | V500 - 163 - 001 - 50 | PIN,SPLIT/3 X15 | 1 | * | | | | | |
| 18 | 1593 - 555 - 011 - 00 | PLATE,I/22X475 | 2 | 4358- | | | | | |
| 19 | 1593 - 555 - 012 - 00 | COVER | 2 | 4358- | | | | | |
| 20 | 1593 - 555 - 013 - 00 | PLATE,I/22X240 | 2 | 4358- | | | | | |
| 21 | V211 - 260 - 802 - 50 | BOLT/S | 10 | 4358- | | | | | |

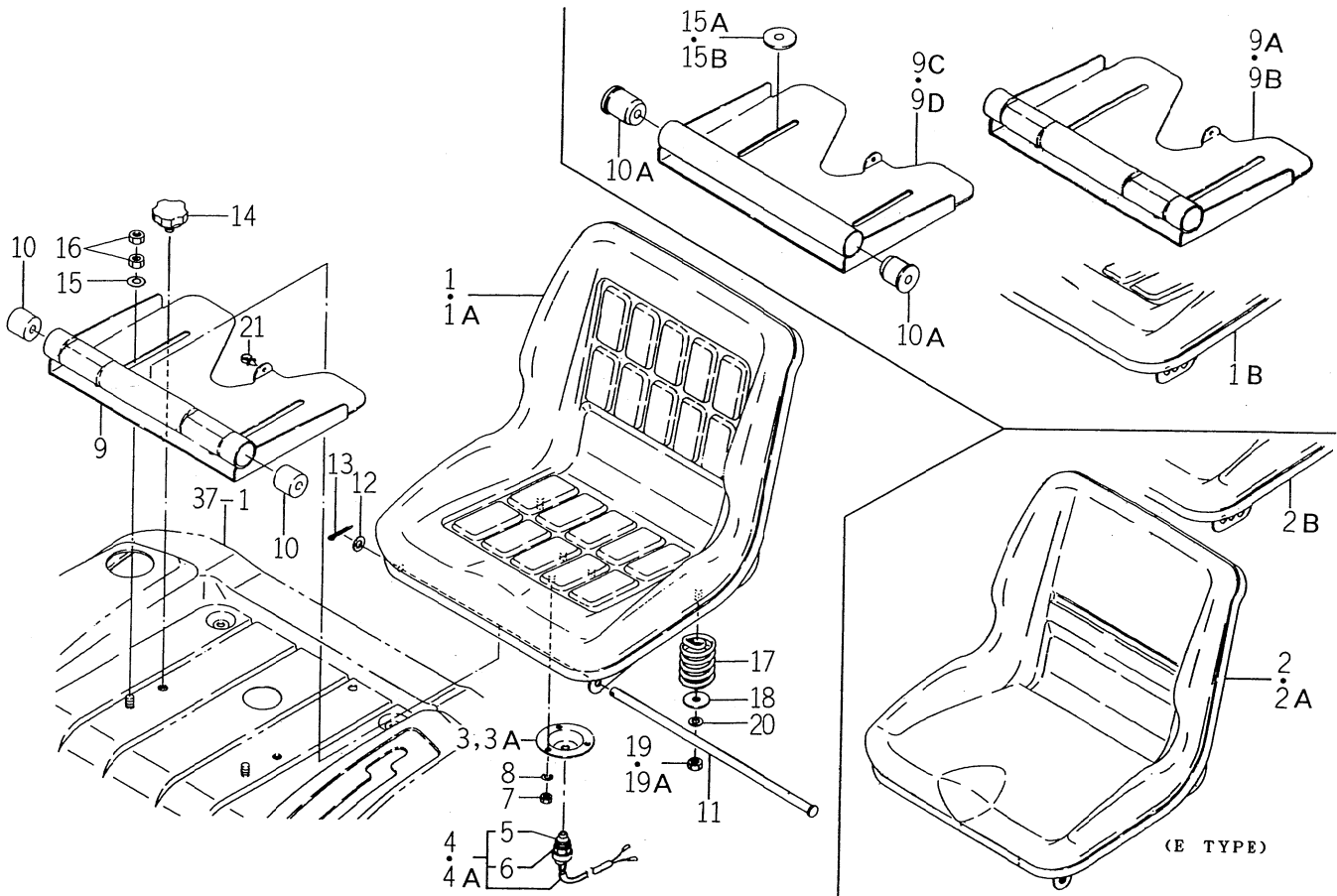
FIG. 36 COVER (LOWER) and HOOD (B) SYSTEM



1593-601A

| KEY | PART CODE | DESCRIPTION | QTY | TYPE OF MODEL | | I T C | C O L | G R P | REMARKS |
|-----|-----------------------|----------------------|-----|---------------|----------------|-------------|-------------|-------------|---------|
| | | | | SG15H | | | | | |
| 1 | 1593 - 601 - 510 - 00 | COVER,LOWER SET | 1 | | 1- 5900 | | | | |
| 1A | 1593 - 601 - 510 - 10 | COVER,LOWER ASSY | 1 | | 5901- -6926 | | | | |
| 1B | 1593 - 601 - 510 - 20 | COVER,LOWER ASSY | 1 | | 6927- | | | | |
| 2 | 1593 - 601 - 520 - 40 | COVER,LOWER ASSY | 1 | | 1- -5900 | | | | |
| 2A | 1593 - 601 - 520 - 50 | COVER,LOWER COMP | 1 | | 5901- -6926 | | | | |
| 2B | 1593 - 601 - 520 - 60 | COVER,LOWER COMP | 1 | | 6927- | | | | |
| 3 | 1593 - 601 - 521 - 10 | COVER,LOWER/LH | 1 | | 1- -5900 | | | | |
| 3A | 1593 - 601 - 521 - 20 | COVER,LOWER/LH | 1 | | 5901- -6926 | | | | |
| 3B | 1593 - 601 - 521 - 30 | COVER,LOWER/LH | 1 | | 6927- | | | | |
| 4 | 1593 - 601 - 522 - 30 | COVER,LOWER/RH | 1 | | * | | | | |
| 5 | 1593 - 601 - 523 - 10 | NET,REAR LOWER COVER | 2 | | * | | | | |
| 6 | 1593 - 601 - 524 - 10 | NET,LOWER COVER/LH | 1 | | * | | | | |
| 7 | 1593 - 601 - 525 - 10 | NET,LOWER COVER/RH | 1 | | * | | | | |
| 8 | V350 - 160 - 004 - 00 | NUT,SPEED/P4 | 33 | | * | | | | |
| 9 | V361 - 260 - 006 - 00 | NUT | 4 | | * | | | | |
| 10 | 1593 - 601 - 064 - 20 | SEAL/15X20X170 | 2 | | * | | | | |
| 11 | 1581 - 740 - 116 - 00 | SCREW/M6X20 | 6 | | * | | | | |
| 12 | 1593 - 601 - 074 - 00 | SCREW/M6X25 | 6 | | * | | | | |
| 13 | 1593 - 601 - 073 - 00 | WASHER/06X16X01 | 12 | | * | | | | |
| 14 | 3737 - 172 - 009 - 00 | MAIN HARNESS CLAMP | 1 | | * | | | | |
| 15 | 1593 - 601 - 008 - 10 | HOOD,B | 1 | | 1- -189 | | | | |
| 15A | 1593 - 601 - 008 - 20 | HOOD,B | 1 | | 190- -5440 | | | | |
| 15B | 1593 - 601 - 008 - 30 | HOOD,B | 1 | | 5441- | | | | |
| 16 | V210 - 260 - 601 - 20 | BOLT,SEMS | 4 | | * | | | | |
| 17 | 1593 - 601 - 061 - 20 | ARM,HOOD | 1 | | 1- -5 | | | | |

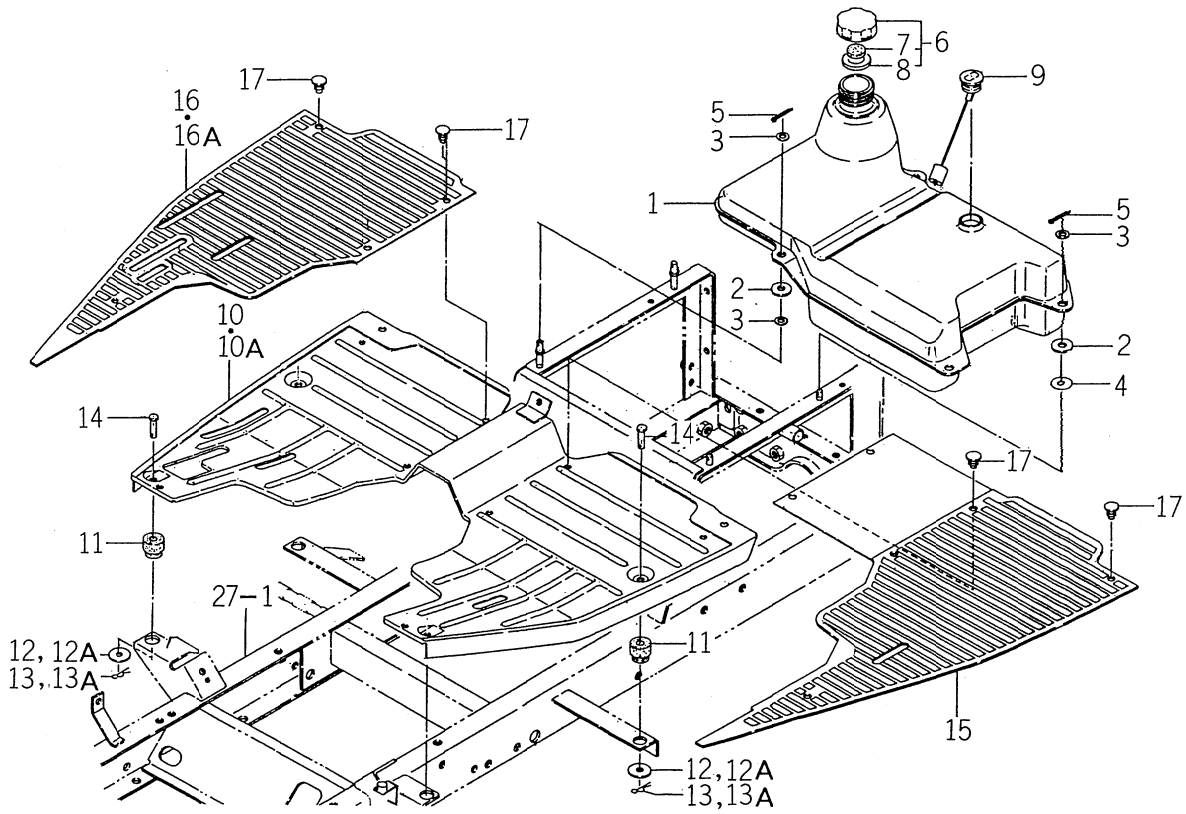
FIG. 38 SEAT SYSTEM



1593-611

| KEY | PART CODE | DESCRIPTION | QTY | TYPE OF MODEL | | | REMARKS |
|-----|-----------------------|------------------|-----|------------------|-------------|-------------|---------|
| | | | | SG15H | I T C | C O L | |
| 1 | 1593 - 611 - 210 - 20 | SEAT | 1 | 1- -2666 | | | |
| 1A | 1593 - 611 - 210 - 30 | SEAT ASSY | 1 | 2667- -5440 | | | |
| 1B | 1593 - 611 - 210 - 40 | SEAT ASSY | 1 | 5441- | | | |
| 2 | 1631 - 611 - 210 - 00 | SEAT ASSY | 1 | 1- -2666 | | | |
| 2A | 1631 - 611 - 210 - 10 | SEAT ASSY | 1 | 2667- -5440 | | | |
| 2B | 1631 - 611 - 210 - 20 | SEAT ASSY | 1 | 5441- | | | |
| 3 | 1593 - 611 - 011 - 10 | HOLDER/SWITCH | 1 | 1- -5440 | | | |
| 3A | 1593 - 611 - 011 - 20 | HOLDER/SWITCH | 1 | 5441- | | | |
| 4 | 1593 - 623 - 270 - 00 | SWITCH,SEAT ASSY | 1 | 1- -100065 | | | |
| 4A | 1593 - 623 - 270 - 10 | SWITCH,SEAT ASSY | 1 | 100066- | | | |
| 5 | 1593 - 623 - 272 - 00 | BOOT | 1 | * | | | |
| 6 | 1593 - 623 - 273 - 00 | NUT | 1 | * | | | |
| 7 | V301 - 260 - 006 - 00 | NUT/M 6 | 3 | * | | | |
| 8 | V401 - 160 - 006 - 00 | WASHER,SP/M 6 | 3 | * | | | |
| 9 | 1593 - 611 - 200 - 10 | STAY,SEAT | 1 | 1- -5 | | | |
| 9A | 1593 - 611 - 200 - 20 | STAY,SEAT COMP | 1 | 6- -5689 | | | |
| 9B | 1593 - 611 - 200 - 30 | STAY,SEAT COMP | 1 | 5690- -6914 | | | |
| 9C | 1593 - 611 - 200 - 40 | STAY,SEAT COMP | 1 | 6915- -100095 | | | |
| 9D | 1593 - 611 - 200 - 50 | STAY,SEAT COMP | 1 | 100096- | | | |
| 10 | 1593 - 611 - 012 - 00 | BUSH,SEAT | 2 | 1- -6914 | | | |
| 10A | 1488 - 611 - 001 - 00 | RUBBER,CUSHION/A | 2 | 6915- | | | |
| 11 | 1593 - 611 - 013 - 00 | PIN/10X382 | 1 | * | | | |
| 12 | V411 - 260 - 010 - 00 | WASHER/M10 | 1 | * | | | |
| 13 | V500 - 163 - 002 - 00 | PIN,SPLIT/3 X20 | 1 | * | | | |
| 14 | 1593 - 611 - 058 - 00 | BOLT,KMOB | 2 | * | | | |

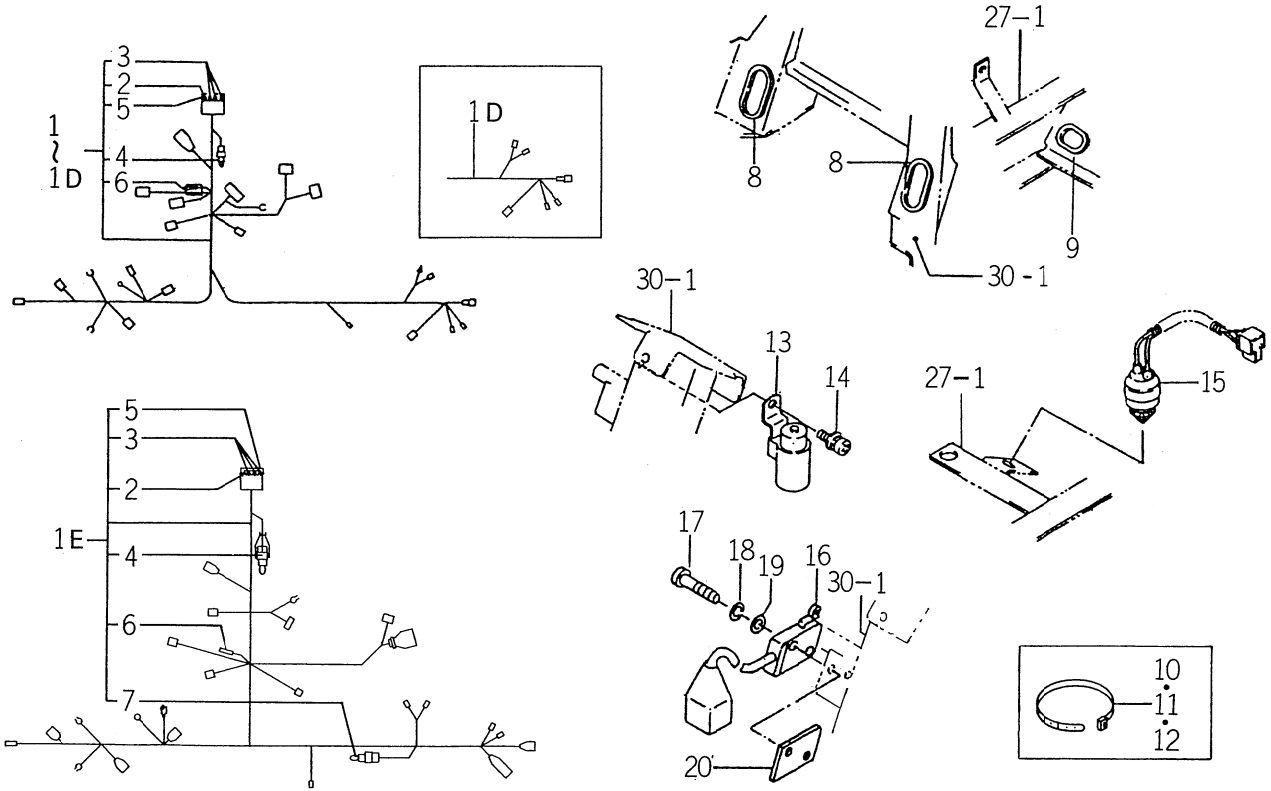
FIG. 39 FUEL TANK and STEP SYSTEM



1593-612

| KEY | PART CODE | DESCRIPTION | QTY | TYPE OF MODEL | | I T C | C O L | G R P | REMARKS |
|-----|-----------------------|----------------------|-----|---------------|--|-------------|-------------|-------------|---------|
| | | | | SG15H | | | | | |
| 1 | 1593 - 612 - 004 - 00 | TANK,FUEL | 1 | * | | | | | |
| 2 | 1593 - 612 - 005 - 00 | INSULATOR/10X30X03 | 4 | * | | | | | |
| 3 | V411 - 260 - 008 - 00 | WASHER,PL/M 8 | 6 | * | | | | | |
| 4 | 3560 - 201 - 015 - 00 | WASHER,BINDING SHAFT | 2 | * | | | | | |
| 5 | V500 - 162 - 501 - 50 | PIN,SPLIT/2.5X15 | 4 | * | | | | | |
| 6 | 1593 - 612 - 220 - 10 | CAP,TANK | 1 | * | | | | | |
| 7 | 2706 - 501 - 003 - 00 | BREATHER,TANK CAP | 1 | * | | | | | |
| 8 | 2706 - 501 - 004 - 00 | GASKET | 1 | * | | | | | |
| 9 | 1593 - 612 - 230 - 00 | GAUGE,FUEL | 1 | * | | | | | |
| 10 | 1608 - 616 - 200 - 10 | STEP | 1 | 1- -3490 | | | | | |
| 10A | 1608 - 616 - 200 - 20 | STEP COMP | 1 | 3491- | | | | | |
| 11 | 1593 - 616 - 004 - 20 | GROMMET/10X30X5 | 4 | * | | | | | |
| 12 | 1376 - 606 - 005 - 00 | WASHER/9X32X2 | 4 | 1- -2042 | | | | | |
| 12A | V411 - 260 - 008 - 00 | WASHER,PL/M 8 | 4 | 2043- | | | | | |
| 13 | 1301 - 411 - 005 - 00 | PIN,HAIR | 4 | 1- -3062 | | | | | |
| 13A | 3908 - 170 - 020 - 00 | SNAP,PIN/8 | 4 | 3063- | | | | | |
| 14 | 1593 - 606 - 006 - 10 | PIN/8X36 | 4 | * | | | | | |
| 15 | 1608 - 616 - 001 - 10 | MAT/LH | 1 | * | | | | | |
| 16 | 1608 - 616 - 002 - 10 | MAT/RH | 1 | 1- -115 | | | | | |
| 16A | 1608 - 616 - 002 - 20 | MAT/RH | 1 | 116- | | | | | |
| 17 | 1527 - 604 - 002 - 00 | CLIP (B) | 8 | * | | | | | |

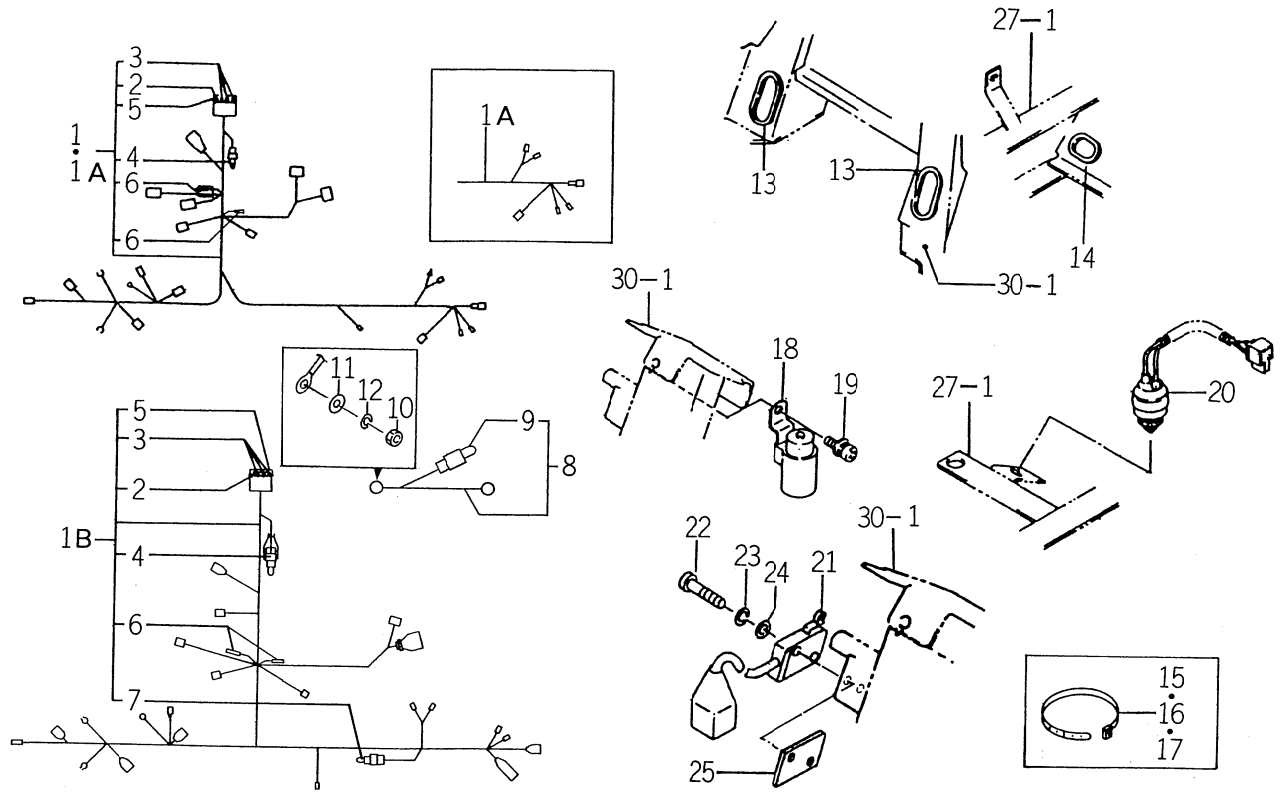
FIG. 41 ELECTRICAL SYSTEM (EXCEPT S TYPE)



1608-623

| KEY | PART CODE | DESCRIPTION | QTY | TYPE OF MODEL | | I T C | C O L | G R P | REMARKS |
|-----|-----------------------|-------------------|-----|---------------|--|-------------|-------------|-------------|---------|
| | | | | SG15H | | | | | |
| 1 | 1608 - 623 - 500 - 00 | HARNESS,MAIN ASSY | 1 | 1- | | | | | |
| 1A | 1608 - 623 - 500 - 10 | HARNESS,MAIN ASSY | 1 | -5 | | | | | |
| 1B | 1608 - 623 - 500 - 20 | HARNESS,MAIN ASSY | 1 | 6- | | | | | |
| 1C | 1608 - 623 - 500 - 30 | HARNESS,MAIN ASSY | 1 | -3520 | | | | | |
| 1D | 1608 - 623 - 500 - 40 | HARNESS,MAIN ASSY | 1 | 3521- | | | | | |
| 1E | 1608 - 623 - 500 - 50 | HARNESS,MAIN ASSY | 1 | -4643 | | | | | |
| 2 | 1575 - 623 - 009 - 00 | FUSE/32V03A | 1 | 4644- | | | | | |
| 3 | 1575 - 623 - 010 - 00 | FUSE/32V10A | 3 | -100065 | | | | | |
| 4 | 1593 - 623 - 502 - 00 | COUPLER,SHORT | 1 | 100066- | | | | | |
| 5 | 1593 - 623 - 503 - 00 | CAP,FUSE BOX | 1 | -100095 | | | | | |
| 6 | 3650 - 262 - 202 - 00 | DIODE/3.0A | 1 | 100096- | | | | | |
| 7 | 1593 - 623 - 504 - 00 | COUPLER,SHORT | 1 | * | | | | | |
| 8 | 1593 - 623 - 002 - 00 | GROMMET/150 | 2 | * | | | | | |
| 9 | 1593 - 623 - 001 - 00 | GROMMET | 1 | * | | | | | |
| 10 | 1593 - 623 - 003 - 00 | BAND | 2 | * | | | | | |
| 11 | 3737 - 172 - 010 - 00 | BAND,HARNESS | 15 | * | | | | | |
| 12 | 3746 - 185 - 014 - 00 | BAND,HOSE | 2 | * | | | | | |
| 13 | 1581 - 621 - 290 - 00 | RELAY/4P | 1 | * | | | | | |
| 14 | V120 - 366 - 001 - 60 | SCREW | 1 | * | | | | | |
| 15 | 1560 - 664 - 250 - 00 | SWITCH,PUSH | 1 | * | | | | | |
| 16 | 1593 - 623 - 520 - 00 | SWITCH,MERIT | 1 | * | | | | | |
| 17 | V111 - 163 - 002 - 00 | SCREW M3X20 | 2 | * | | | | | |
| 18 | V401 - 160 - 003 - 00 | WASHER,SP/M 3 | 2 | * | | | | | |
| 19 | V411 - 260 - 003 - 00 | WASHER/M3 | 2 | * | | | | | |
| 20 | 3664 - 276 - 001 - 00 | PLATE/IRX13X35 | 1 | * | | | | | |

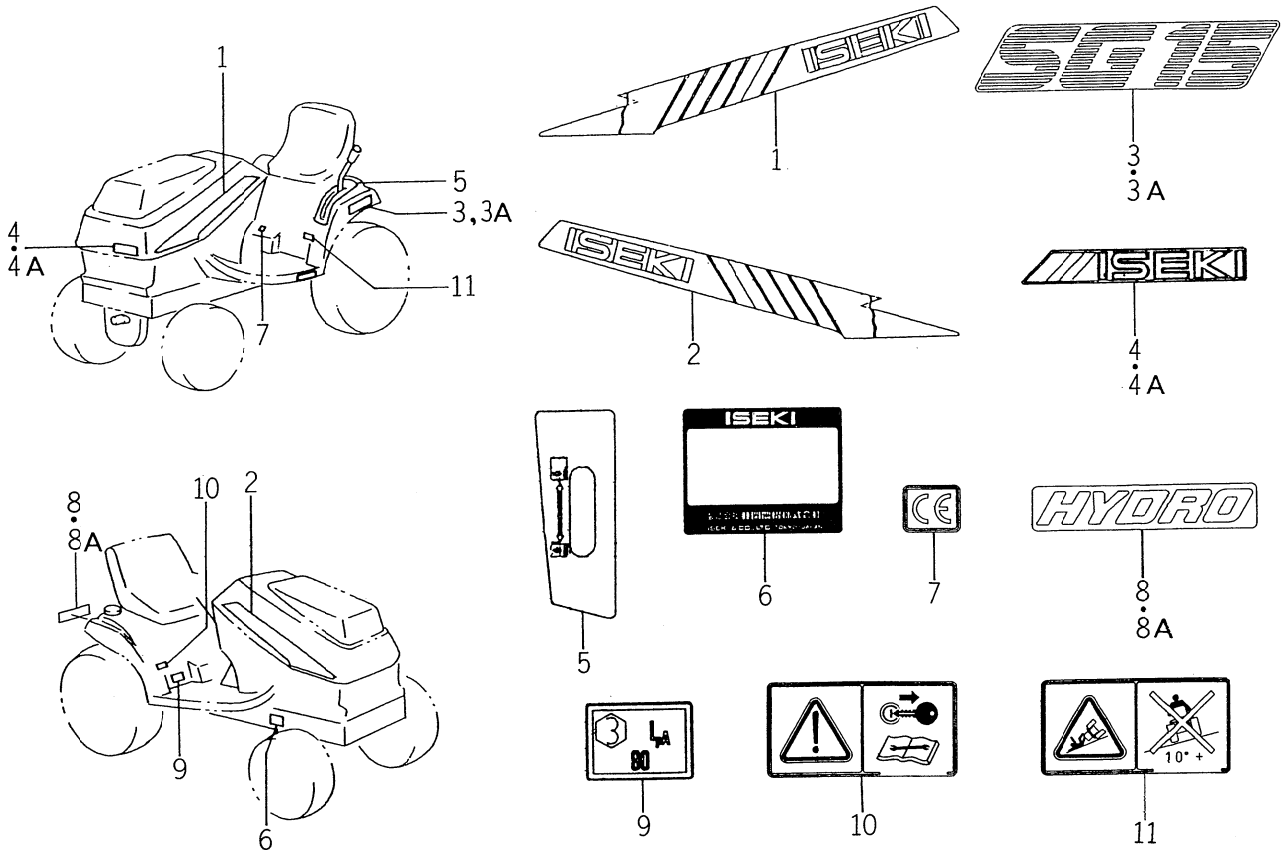
FIG. 42 ELECTRICAL SYSTEM (S TYPE)



1638-623A

| KEY | PART CODE | DESCRIPTION | QTY | TYPE OF MODEL | | I T C | C O L | G R P | REMARKS |
|-----|-----------------------|---------------------|-----|---------------|---------|-------------|-------------|-------------|---------|
| | | | | SG15H | | | | | |
| 1 | 1608 - 623 - 600 - 00 | HARNESS,MAIN/S ASSY | 1 | | 1- | | | | |
| 1A | 1608 - 623 - 600 - 10 | HARNESS,MAIN/S ASSY | 1 | | 100066- | | | | |
| 1B | 1608 - 623 - 600 - 20 | HARNESS,MAIN/S ASSY | 1 | | 100095- | | | | |
| 2 | 1575 - 623 - 009 - 00 | FUSE/32V03A | 1 | | * | | | | |
| 3 | 1575 - 623 - 010 - 00 | FUSE/32V10A | 3 | | * | | | | |
| 4 | 1593 - 623 - 502 - 00 | COUPLER,SHORT | 1 | | * | | | | |
| 5 | 1593 - 623 - 503 - 00 | CAP,FUSE BOX | 1 | | * | | | | |
| 6 | 3650 - 262 - 202 - 00 | DIODE/3.0A | 2 | | * | | | | |
| 7 | 1593 - 623 - 504 - 00 | COUPLER,SHORT | 1 | | 100096- | | | | |
| 8 | 1593 - 623 - 610 - 00 | HARNESS,JENERATOR | 1 | | * | | | | |
| 9 | 3650 - 261 - 261 - 00 | LINK,FUSIBLE | 1 | | * | | | | |
| 10 | V301 - 260 - 006 - 00 | NUT/M 6 | 1 | | * | | | | |
| 11 | V411 - 260 - 006 - 00 | WASHER / M6 | 1 | | * | | | | |
| 12 | V401 - 160 - 006 - 00 | WASHER,SP/M 6 | 1 | | * | | | | |
| 13 | 1593 - 623 - 002 - 00 | GROMMET/150 | 2 | | * | | | | |
| 14 | 1593 - 623 - 001 - 00 | GROMMET | 1 | | * | | | | |
| 15 | 1593 - 623 - 003 - 00 | BAND | 3 | | * | | | | |
| 16 | 3737 - 172 - 010 - 00 | BAND,HARNESS | 15 | | * | | | | |
| 17 | 3746 - 185 - 014 - 00 | BAND,HOSE | 3 | | * | | | | |
| 18 | 1581 - 621 - 290 - 00 | RELAY/4P | 1 | | * | | | | |
| 19 | V120 - 366 - 001 - 60 | SCREW | 1 | | * | | | | |
| 20 | 1560 - 664 - 250 - 00 | SWITCH,PUSH | 1 | | * | | | | |
| 21 | 1593 - 623 - 520 - 00 | SWITCH,MERIT | 1 | | * | | | | |
| 22 | V111 - 163 - 002 - 00 | SCREW M3X20 | 2 | | * | | | | |
| 23 | V401 - 160 - 003 - 00 | WASHER,SP/M 3 | 2 | | * | | | | |

FIG. 44 ORNAMENT (EXCEPT S TYPE)

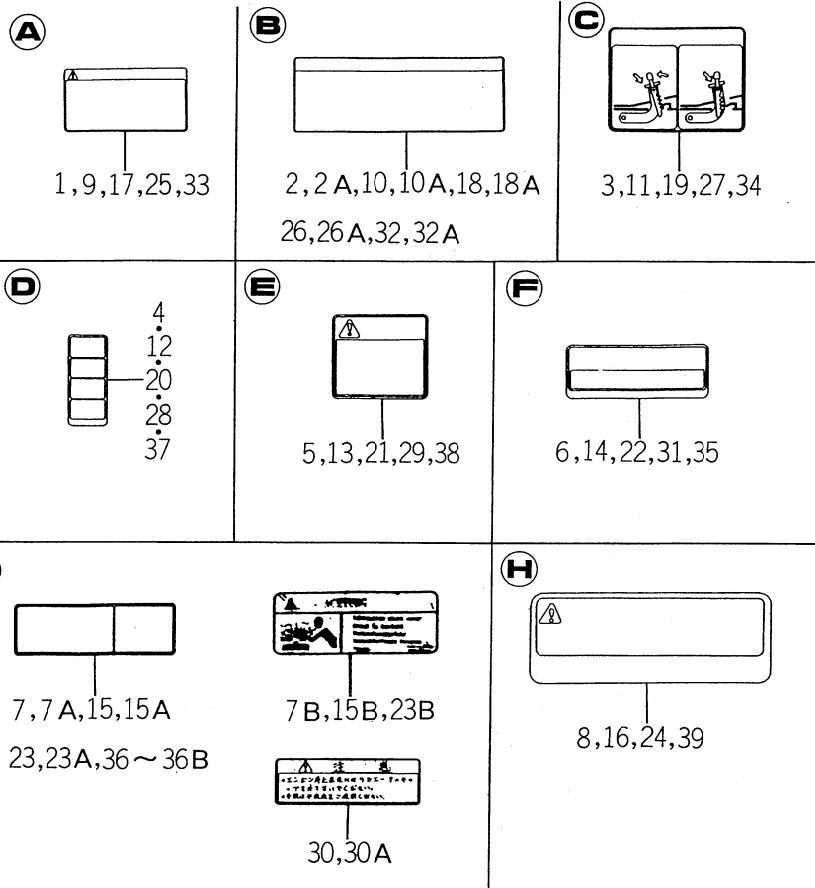
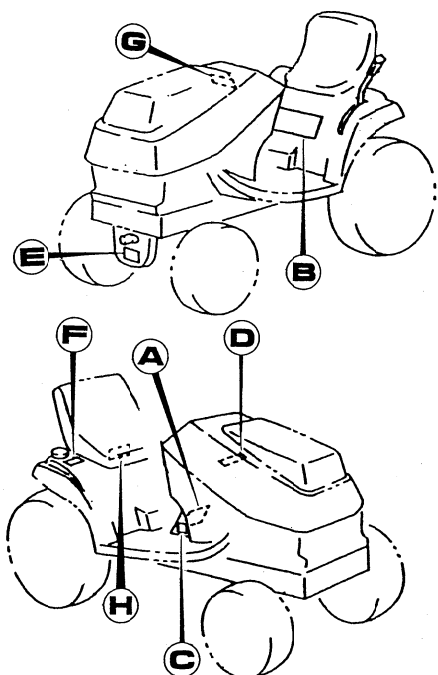


1608-901

| KEY | PART CODE | DESCRIPTION | QTY | TYPE OF MODEL | | I T C | C O L | G R P | REMARKS |
|-----|-----------------------|-------------------------|-----|---------------|--|-------|-------|-------|---------|
| | | | | SG15H | | | | | |
| 1 | 1593 - 901 - 001 - 00 | ORNAMENT / LH | 1 | * | | | | | |
| 2 | 1593 - 901 - 002 - 00 | ORNAMENT / RH | 1 | * | | | | | |
| 3 | 1608 - 901 - 001 - 00 | ORNAMENT / 15 | 2 | 1- -5440 | | | | | |
| 3A | 1608 - 901 - 001 - 10 | ORNAMENT / 15 | 2 | 5441- | | | | | |
| 4 | 1593 - 901 - 005 - 00 | ORNAMENT / F | 1 | 1- -5440 | | | | | |
| 4A | 1593 - 901 - 005 - 10 | ORNAMENT / F | 1 | 5441- | | | | | |
| 5 | 1608 - 901 - 003 - 10 | LABEL / LIFT | 1 | * | | | | | |
| 6 | | LABEL / MODEL ASSY | 1 | * | | | | | |
| 7 | 2500 - 901 - 027 - 00 | LABEL / CE | 1 | * | | | | | |
| 8 | 1608 - 901 - 004 - 00 | ORNAMENT / HYDRAULIC | 1 | 1- -5440 | | | | | |
| 8A | 1608 - 901 - 004 - 10 | ORNAMENT / HYDRAULIC | 1 | 5441- | | | | | |
| 9 | 1636 - 901 - 009 - 00 | LABEL, NOISS / LPA / 90 | 1 | * | | | | | |
| 10 | 1593 - 901 - 015 - 00 | LABEL, MENTNANSS | 1 | * | | | | | |
| 11 | 1636 - 901 - 015 - 00 | LABEL, COUSION | 1 | * | | | | | |

FIG. 47 LABEL

(KEY 1~8 FOR E20 TYPE)
 (KEY 9~16 FOR E50, RE50 TYPE)
 (KEY 17~24 FOR E40, RE40 TYPE)
 (KEY 25~31 FOR C, R TYPE)
 (KEY 26~32 FOR E50T TYPE)

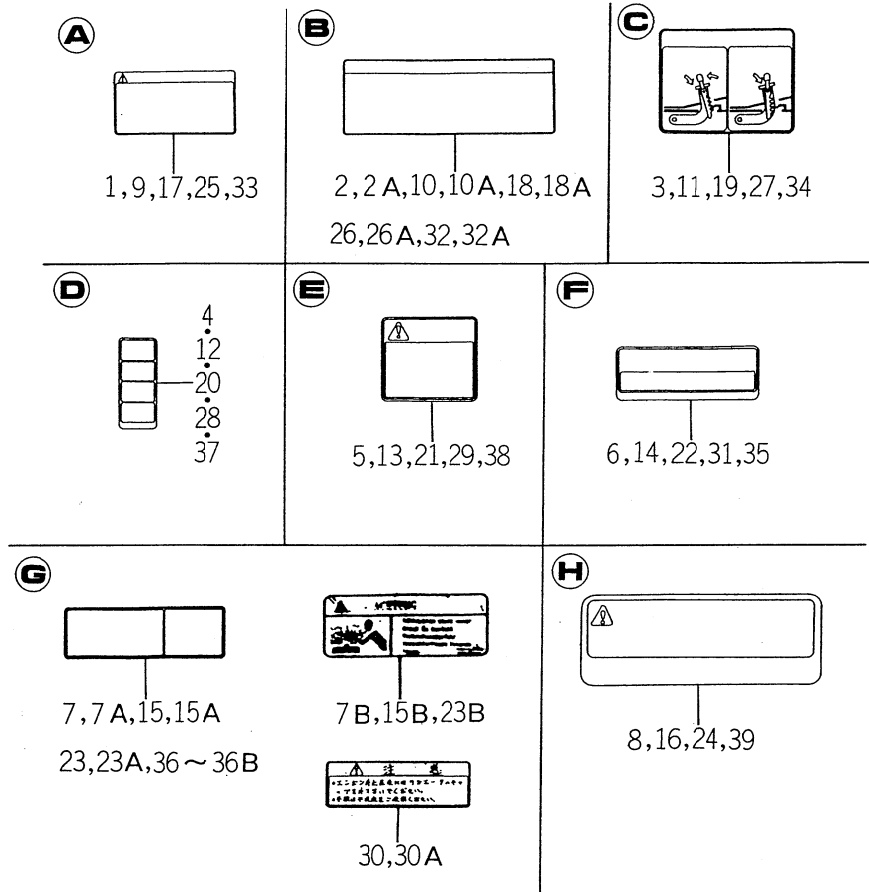
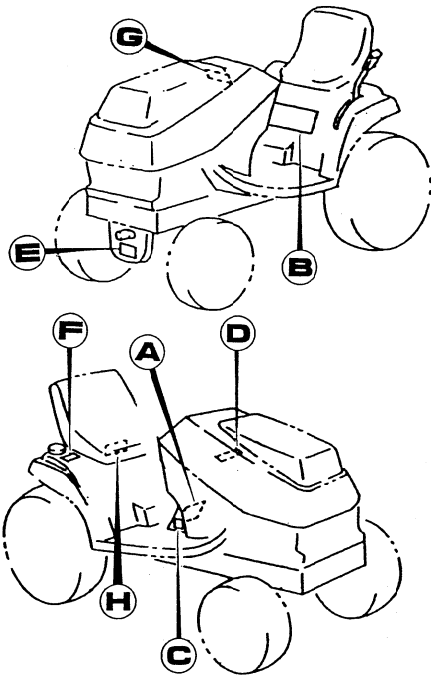


1608-904

| KEY | PART CODE | DESCRIPTION | QTY | TYPE OF MODEL | | I T C | C O L | G R P | REMARKS |
|-----|-----------------------|----------------------|-----|------------------|--|-------------|-------------|-------------|---------|
| | | | | SG15H | | | | | |
| 1 | 1593 - 904 - 001 - 00 | LABEL,CAUTION/D | 1 | * | | | | | |
| 2 | 1608 - 904 - 001 - 00 | LABEL,OPERATION/D | 1 | 1- -5440 | | | | | |
| 2A | 1608 - 904 - 001 - 10 | LABEL,OPERATION/D | 1 | 5441- | | | | | |
| 3 | 1593 - 904 - 003 - 00 | LABEL,PARKING/D | 1 | * | | | | | |
| 4 | 1608 - 904 - 006 - 00 | LABEL,FUSE/D | 1 | * | | | | | |
| 5 | 1593 - 904 - 007 - 00 | LABEL,RADIATOR/D | 1 | * | | | | | |
| 6 | 1600 - 902 - 023 - 00 | LABEL,FUEL/D | 1 | * | | | | | |
| 7 | 1593 - 901 - 009 - 00 | LABEL | 1 | 1- -5737 | | | | | |
| 7A | 1593 - 901 - 009 - 10 | LABEL,CAUTION/RADIAT | 1 | 5738- -100095 | | | | | |
| 7B | 1640 - 903 - 033 - 00 | LABEL,W/RADIATOR | 1 | 100096- | | | | | |
| 8 | 1640 - 903 - 036 - 00 | LABEL,D/BATTERY | 1 | * | | | | | |
| 9 | 1593 - 905 - 001 - 00 | LABEL,CAUTION/F | 1 | * | | | | | |
| 10 | 1608 - 905 - 001 - 00 | LABEL,OPERATION/F | 1 | 1- -5440 | | | | | |
| 10A | 1608 - 905 - 001 - 10 | LABEL,OPERATION/F | 1 | 5441- | | | | | |
| 11 | 1593 - 905 - 003 - 00 | LABEL,PARKING/F | 1 | * | | | | | |
| 12 | 1608 - 905 - 006 - 00 | LABEL,FUSE/F | 1 | * | | | | | |
| 13 | 1593 - 905 - 007 - 00 | LABEL,PTO CAUTION/F | 1 | * | | | | | |
| 14 | 1427 - 934 - 013 - 00 | MARK,FUEL/FR | 1 | * | | | | | |
| 15 | 1593 - 901 - 009 - 00 | LABEL | 1 | 1- -5737 | | | | | |
| 15A | 1593 - 901 - 009 - 10 | LABEL,CAUTION/RADIAT | 1 | 5738- -100095 | | | | | |
| 15B | 1640 - 903 - 013 - 00 | LABEL,W/RADIATOR | 1 | 100096- | | | | | |
| 16 | 1640 - 903 - 016 - 00 | LABEL,D/BATTERY | 1 | * | | | | | |
| 17 | 1593 - 906 - 001 - 00 | LABEL,CAUTION/E | 1 | * | | | | | |
| 18 | 1608 - 906 - 001 - 00 | LABEL,OPERATION/E | 1 | 1- -5580 | | | | | |
| 18A | 1608 - 906 - 001 - 10 | LABEL,OPERATION/E | 1 | 5581- | | | | | |

FIG. 47 LABEL

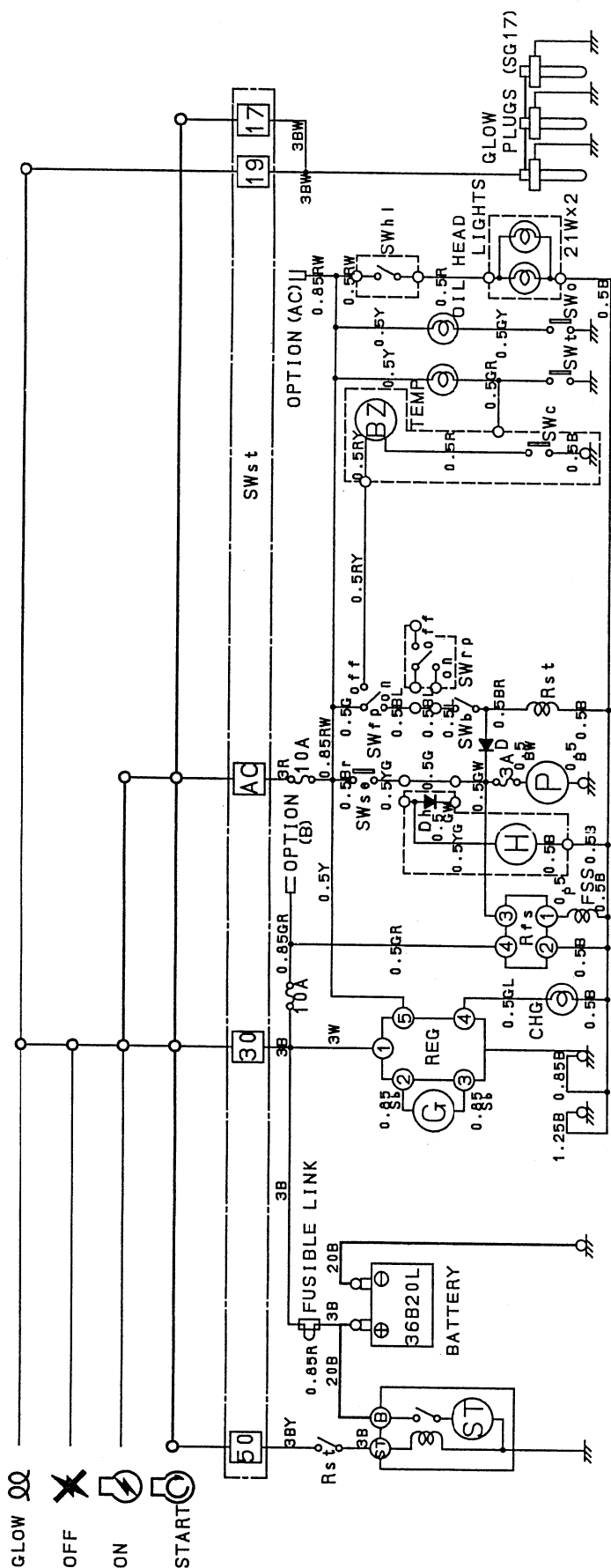
(KEY 1~ 8 FOR E20 TYPE)
 (KEY 9~16 FOR E50, RE50 TYPE)
 (KEY 17~24 FOR E40, RE40 TYPE)
 (KEY 25~31 FOR C, R TYPE)
 (KEY 26~32 FOR E50T TYPE)



1608-906

| KEY | PART CODE | DESCRIPTION | QTY | TYPE OF MODEL | | I T C | C O L | G R P | REMARKS |
|-----|-----------------------|----------------------|-----|------------------|--|-------------|-------------|-------------|---------|
| | | | | SG15H | | | | | |
| 19 | 1593 - 906 - 003 - 00 | LABEL,PARKING/E | 1 | * | | | | | |
| 20 | 1608 - 906 - 006 - 00 | LABEL,FUSE/E | 1 | * | | | | | |
| 21 | 1593 - 906 - 007 - 00 | LABEL,PTO CAUTION/E | 1 | * | | | | | |
| 22 | 1427 - 941 - 016 - 00 | MARK,FUEL | 1 | * | | | | | |
| 23 | 1593 - 901 - 009 - 00 | LABEL | 1 | 1- -5737 | | | | | |
| 23A | 1593 - 901 - 009 - 10 | LABEL,CAUTION/RADIAT | 1 | 5738- -100095 | | | | | |
| 23B | 1640 - 904 - 013 - 00 | LABEL,W/RADIATOR | 1 | 100096- | | | | | |
| 24 | 1640 - 904 - 016 - 00 | LABEL,D/BATTERY | 1 | * | | | | | |
| 25 | 1593 - 907 - 001 - 00 | LABEL,CAUTION | 1 | * | | | | | |
| 26 | 1608 - 907 - 001 - 00 | LABEL,OPERATION | 1 | 1- -5580 | | | | | |
| 26A | 1608 - 907 - 001 - 10 | LABEL,OPERATION | 1 | 5581- | | | | | |
| 27 | 1593 - 907 - 003 - 00 | LABEL,PARKING | 1 | * | | | | | |
| 28 | 1608 - 907 - 002 - 00 | LABEL,FUSE | 1 | * | | | | | |
| 29 | 1593 - 907 - 005 - 00 | LABEL,PTO CAUTION | 1 | * | | | | | |
| 30 | 1593 - 907 - 007 - 00 | LABEL,CAUTION/RADIAT | 1 | 1- -5737 | | | | | |
| 30A | 1593 - 907 - 007 - 10 | LABEL,CAUTION/RADIAT | 1 | 5738- | | | | | |
| 31 | 1421 - 903 - 010 - 00 | MARK,FUEL | 1 | * | | | | | |
| 32 | 1631 - 910 - 001 - 00 | LABEL,OPERATION/I | 1 | 1- -5737 | | | | | |
| 32A | 1631 - 910 - 001 - 10 | LABEL,OPERATION/I | 1 | 5738- | | | | | |
| 33 | 1631 - 910 - 002 - 00 | LABEL,CAUTION/I | 1 | * | | | | | |
| 34 | 1631 - 910 - 003 - 00 | LABEL,PARKING/I | 1 | * | | | | | |
| 35 | 1631 - 910 - 004 - 00 | LABEL,FUEL/I | 1 | * | | | | | |
| 36 | 1631 - 910 - 005 - 00 | LABEL,CAUTION/RADIAT | 1 | 1- -5689 | | | | | |
| 36A | 1631 - 910 - 005 - 10 | LABEL,CAUTION/RADIAT | 1 | 5690- -100095 | | | | | |
| 36B | 1640 - 905 - 013 - 00 | LABEL,CAUTION/RADIAT | 1 | 100096- | | | | | |

WIRING DIAGRAM / SG15



| | | | |
|----|------------------|----|-----------------|
| B | Black and white | G | Green |
| BW | Black and red | GW | Green and white |
| BR | Black and blue | GR | Green and red |
| BL | Black and yellow | GL | Green and blue |
| BY | White | P | Pink |
| W | Red and white | Br | Brown |
| R | Red and yellow | Sb | Skyblue |
| RW | Red and white | | |
| RY | Red and yellow | | |
| L | Blue | | |
| Y | Yellow | | |
| YG | Yellow and green | | |

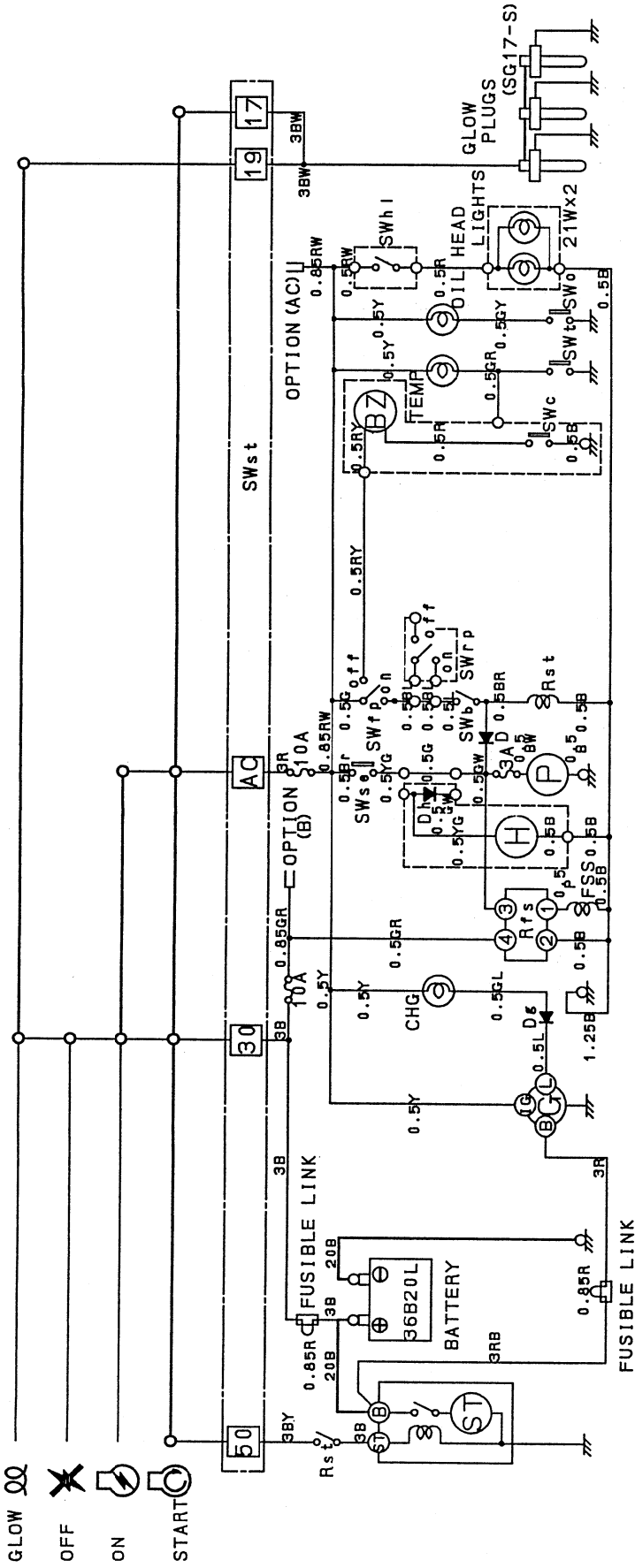
Switch connection

SWse: On : Sit on the seat
 SWfp: On : Disengage the front PTO
 SWrp: On : Disengage the rear PTO
 SWb : On : Depress the brake pedal
 SWc : On : Fill the collector with grass
 SWt : On : At the over heated
 SWo : On : At the low oil pressure
 SWhl: On : The lever turns up

----- Optional parts

ST : Starter (0.8kW)
G : Generator (8.5A)
H : Hour meter
P : Pump
BZ : Buzzer
Rst : Starter relay
Rfs : Fuel shut-off relay
SWst : Starter switch
SWse : Seat switch
SWfp : Front PTO switch
SWrp : Rear PTO switch
SWb : Brake switch
SWc : Collector switch
SWt : Temperature switch
SWo : Oil pressure switch
SWhl : Head lights switch
FSS : Fuel shut-off solenoid
CHG : Charge lamp (3.4W)
TEMP : Temperature lamp (3.4W)
OIL : Oil pressure lamp (3.4W)
D, Dh : Diode

WIRING DIAGRAM / SG15 - S



| | | | |
|----|------------------|----|------------------|
| B | Black and white | YG | Yellow and green |
| BW | Black and red | G | Green |
| BR | Black and blue | GW | Green and white |
| BL | Black and yellow | GR | Green and red |
| BY | White | GL | Green and blue |
| W | Red | P | Pink |
| R | Red and black | Br | Brown |
| RB | Red and white | Sb | Skyblue |
| RW | Red and yellow | | |
| RY | Blue | | |
| L | Yellow | | |
| Y | | | |

| | |
|----------------------|---------------------------------|
| Switch connection | |
| SWse:On | : Sit on the seat |
| SWrp:On | : Disengage the front PTO |
| SWrp:On | : Disengage the rear PTO |
| SWb :On | : Depress the brake pedal |
| SWc :On | : Fill the collector with grass |
| SWt :On | : At the over heated |
| SWo :On | : At the low oil pressure |
| SWhi:On | : The lever turns up |
| ----- Optional parts | |

| | |
|---------|----------------------------|
| ST | : Starter (1kW) |
| G | : Generator (30A) |
| H | : Hour meter |
| P | : Pump |
| BZ | : Buzzer |
| Rst | : Starter relay |
| Rfs | : Fuel shut-off relay |
| SWst | : Starter switch |
| SWse | : Seat switch |
| SWrp | : Front PTO switch |
| SWrp | : Rear PTO switch |
| SWb | : Brake switch |
| SWc | : Collector switch |
| SWt | : Temperature switch |
| SWo | : Oil pressure switch |
| SWhi | : Head lights switch |
| FSS | : Fuel shut-off solenoid |
| CHG | : Charge lamp (3.4W) |
| TEMP | : Temperature lamp (3.4W) |
| OIL | : Oil pressure lamp (3.4W) |
| D.Dh.D6 | : Diode |

NUMERICAL INDEX

6003-097-120-00

| PART CODE | FIG. KEY | PART CODE | FIG. KEY | PART CODE | FIG. KEY |
|-----------------|----------|-----------------|----------|-----------------|----------|
| J061-210-015-00 | 17 23 | 6209-360-028-10 | 2 6 | 6211-360-004-10 | 7 1 |
| J062-062-067-00 | 21 6 | 6209-409-001-00 | 9 19 | 6211-361-019-10 | 7 2 |
| J062-076-082-00 | 21 5 | 6209-409-003-00 | 11 18 | 6211-510-002-00 | 5 10 |
| V211-560-802-00 | 3 3 | 6209-490-002-00 | 2 4 | 6211-511-003-00 | 5 11 |
| | 9 14 | 6209-500-003-00 | 9 17A | 6211-511-004-00 | 5 12 |
| | 17 19 | 6209-580-002-10 | 20 37 | 6211-540-002-00 | 6 1 |
| | 17 27 | 6209-587-001-00 | 13 4 | 6211-560-002-00 | 6 3 |
| | 22 4 | 6209-600-002-00 | 7 3 | 6211-599-001-10 | 5 13 |
| V211-560-802-50 | 4 3 | 6209-605-004-00 | 1 4 | | 6 2 |
| | 9 40 | 6209-610-001-00 | 5 3 | | 6 4 |
| V341-120-008-00 | 9 20 | 6209-610-002-10 | 9 4 | 6211-715-002-00 | 1 5 |
| V411-260-006-00 | 20 41 | 6209-623-001-00 | 7 4 | 6211-721-001-00 | 1 6 |
| V600-110-600-40 | 20 12 | 6209-625-001-00 | 5 14 | 6211-721-002-00 | 1 7 |
| V600-110-620-30 | 20 11 | | 24 10 | 6211-751-001-10 | 2 2 |
| V682-200-000-60 | 1 9 | 6209-625-002-00 | 9 5 | 6211-760-003-10 | 5 29 |
| V704-140-016-00 | 11 16 | | 24 12 | 6211-777-007-20 | 10 1 |
| V705-140-012-00 | 9 32 | 6209-630-002-10 | 23 6 | 6212-111-009-00 | 13 1 |
| V710-140-004-00 | 9 24 | | 24 21 | 6212-114-009-00 | 14 1 |
| | 20 21 | 6209-740-001-00 | 9 27 | 6212-116-009-00 | 14 3 |
| | 20 31 | 6209-749-001-10 | 5 15 | 6212-121-004-00 | 13 2 |
| V720-101-900-80 | 20 36 | 6209-788-001-00 | 5 27 | 6212-124-004-00 | 14 2 |
| V720-102-401-50 | 16 9 | 6209-940-004-00 | 11 15 | 6212-126-004-00 | 14 4 |
| | 24 16 | 6211-110-017-20 | 1 1 | 6212-211-001-10 | 13 3 |
| V723-102-005-50 | 17 31 | 6211-141-010-20 | 1 10 | 6212-230-003-00 | 13 5 |
| | 24 20 | | 24 3 | 6212-235-001-00 | 13 6 |
| 1373-121-001-00 | 22 5 | 6211-150-006-00 | 1 2 | 6212-261-006-00 | 13 8 |
| 3625-540-004-00 | 9 22 | 6211-170-006-10 | 2 1 | 6212-264-006-00 | 6 5 |
| 6209-000-002-00 | 11 19 | 6211-173-004-00 | 2 3 | 6212-266-006-00 | 6 6 |
| 6209-000-003-00 | 1 11 | | 24 4 | 6212-310-010-00 | 15 1 |
| 6209-000-004-00 | 5 2 | 6211-210-020-10 | 5 1 | 6212-310-010-10 | 15 1A |
| 6209-000-004-10 | 5 2A | 6211-258-001-00 | 5 8 | 6212-330-013-30 | 15 5 |
| 6209-000-013-00 | 15 7 | | 24 8 | 6212-333-001-00 | 15 6 |
| 6209-009-001-00 | 16 6 | 6211-258-002-00 | 5 9 | 6212-371-014-20 | 15 8 |
| 6209-030-005-00 | 9 6 | | 24 9 | 6212-379-001-00 | 15 9 |
| 6209-030-006-00 | 9 7 | 6211-291-001-10 | 5 23 | 6212-511-004-00 | 12 1 |
| | 17 28 | 6211-292-001-20 | 5 24 | 6212-521-002-00 | 15 3 |
| 6209-030-041-00 | 18 4 | | 24 11 | 6212-522-003-00 | 12 2 |
| 6209-030-043-00 | 20 16 | 6211-310-006-20 | 9 1 | 6212-523-003-00 | 12 6 |
| 6209-044-001-00 | 20 34 | 6211-311-005-10 | 9 36 | 6212-524-002-00 | 20 9 |
| 6209-046-001-00 | 9 16 | 6211-312-001-20 | 9 28 | 6212-531-005-10 | 5 6 |
| 6209-050-001-00 | 9 33 | | 24 14 | 6212-535-001-00 | 12 4 |
| 6209-050-002-00 | 9 34 | 6211-312-002-20 | 9 37 | 6212-535-002-00 | 20 13 |
| 6209-056-001-00 | 20 7 | | 24 15 | 6212-551-001-00 | 11 1 |
| 6209-300-002-00 | 17 18 | 6211-340-001-30 | 8 1 | 6212-552-001-00 | 11 2 |
| 6209-360-010-00 | 21 2 | 6211-342-001-30 | 8 2 | 6212-561-001-00 | 11 3 |

| PART CODE | FIG. KEY | PART CODE | FIG. KEY | PART CODE | FIG. KEY |
|-----------------|----------|-----------------|----------|-----------------|----------|
| 6212-563-001-00 | 11 4 | 6213-671-012-00 | 18 5 | 6215-541-003-10 | 20 33 |
| 6212-565-001-00 | 11 5 | 6213-674-004-10 | 22 3 | 6215-542-001-10 | 9 23 |
| 6212-569-002-00 | 1 8 | 6213-711-003-20 | 17 30 | 6215-542-002-00 | 20 20 |
| | 24 2 | 6213-716-001-40 | 17 24 | 6215-543-003-20 | 20 19 |
| 6212-571-001-10 | 11 6 | 6213-721-001-00 | 5 22 | 6215-546-001-00 | 9 18 |
| 6212-575-001-00 | 11 7 | 6213-721-003-00 | 17 25 | 6215-549-001-10 | 5 26 |
| 6212-600-003-00 | 11 8 | 6213-729-001-00 | 17 22 | 6215-549-003-00 | 20 22 |
| 6212-611-004-10 | 11 9 | 6213-743-002-10 | 17 26 | 6215-549-004-10 | 20 24 |
| 6212-616-002-00 | 11 17 | | 24 19 | 6215-549-006-00 | 20 26 |
| 6212-620-002-10 | 11 10 | 6214-111-014-00 | 3 1 | 6215-549-007-00 | 20 39 |
| 6212-621-003-10 | 11 11 | 6214-115-002-20 | 3 2 | 6215-549-007-10 | 20 39A |
| 6212-626-002-10 | 11 12 | | 24 6 | 6215-549-008-00 | 20 43 |
| 6212-628-004-00 | 11 13 | 6214-141-015-00 | 4 1 | 6215-549-009-00 | 20 27 |
| 6212-628-005-00 | 11 14 | 6214-145-006-10 | 4 2 | 6215-549-010-00 | 20 28 |
| 6213-100-003-20 | 16 1 | | 24 7 | 6215-549-021-00 | 20 38 |
| 6213-111-001-20 | 16 2 | 6215-300-005-00 | 19 1 | 6215-549-023-00 | 20 29 |
| 6213-120-003-00 | 16 3 | 6215-311-005-00 | 25 1 | 6215-549-024-00 | 20 30 |
| 6213-125-001-00 | 16 4 | 6215-315-002-00 | 19 2 | 6215-600-057-00 | 20 1 |
| 6213-140-004-10 | 16 8 | 6215-330-007-00 | 25 2 | 6215-611-003-00 | 26 1 |
| 6213-149-001-00 | 16 10 | 6215-332-002-00 | 25 16 | 6215-612-003-00 | 26 34 |
| 6213-160-002-00 | 9 29 | 6215-339-002-00 | 25 15 | 6215-619-012-00 | 26 35 |
| 6213-161-001-00 | 9 30 | 6215-342-002-00 | 25 3 | 6215-619-013-00 | 26 37 |
| 6213-164-001-00 | 9 31 | 6215-343-002-00 | 25 4 | 6215-619-014-00 | 26 38 |
| 6213-240-002-00 | 16 15 | 6215-345-044-00 | 25 5 | 6215-619-015-00 | 26 39 |
| 6213-311-003-10 | 16 12 | 6215-345-045-00 | 25 6 | 6215-619-016-00 | 26 40 |
| 6213-319-001-00 | 9 2 | 6215-345-046-00 | 25 7 | 6215-621-004-10 | 20 8 |
| 6213-610-005-30 | 17 1 | 6215-345-047-00 | 25 8 | 6215-622-002-00 | 26 12 |
| 6213-611-003-20 | 17 2 | 6215-345-048-00 | 25 9 | 6215-629-017-00 | 26 13 |
| 6213-612-004-00 | 17 9 | 6215-345-049-00 | 25 10 | 6215-629-019-00 | 26 14 |
| 6213-613-002-10 | 17 8 | 6215-345-050-00 | 25 11 | 6215-629-020-00 | 26 18 |
| 6213-614-003-10 | 17 12 | 6215-345-051-00 | 25 12 | 6215-629-021-00 | 26 19 |
| | 24 17 | 6215-345-052-00 | 25 13 | 6215-629-022-00 | 26 20 |
| 6213-614-006-10 | 17 17 | 6215-345-053-00 | 25 14 | 6215-629-023-00 | 26 21 |
| | 24 18 | 6215-355-003-00 | 25 18 | 6215-629-024-00 | 26 22 |
| 6213-619-002-00 | 17 11 | 6215-359-003-00 | 25 17 | 6215-629-025-00 | 26 23 |
| 6213-619-003-00 | 17 10 | 6215-359-004-00 | 25 19 | 6215-629-026-00 | 26 24 |
| 6213-619-005-00 | 17 16 | 6215-410-035-10 | 19 3 | 6215-629-027-00 | 26 25 |
| 6213-621-003-00 | 17 6 | 6215-410-036-10 | 19 4 | 6215-629-028-00 | 26 26 |
| 6213-622-002-10 | 17 5 | 6215-412-001-20 | 21 1 | 6215-629-029-00 | 26 27 |
| 6213-631-002-00 | 17 3 | 6215-520-001-00 | 20 15 | 6215-629-030-00 | 26 28 |
| 6213-631-005-00 | 17 4 | 6215-526-001-10 | 20 17 | 6215-629-031-00 | 26 29 |
| 6213-641-004-00 | 18 2 | 6215-531-005-00 | 20 32 | 6215-629-032-00 | 26 30 |
| 6213-642-002-00 | 17 7 | 6215-536-001-00 | 20 25 | 6215-629-033-00 | 26 31 |
| 6213-660-006-00 | 18 1 | 6215-541-001-00 | 20 18 | 6215-629-034-00 | 26 32 |
| 6213-669-002-00 | 18 3 | 6215-541-002-10 | 20 23 | 6215-631-004-00 | 26 2 |

6003-097-120-00

| PART CODE | FIG. KEY | PART CODE | FIG. KEY | PART CODE | FIG. KEY |
|-----------------|----------|-----------------|----------|-----------------|----------|
| 6215-634-002-00 | 26 15 | 6281-229-026-00 | 28 10 | 6902-050-816-00 | 9 38 |
| 6215-635-002-00 | 26 8 | 6281-229-027-00 | 28 11 | 6904-110-818-00 | 5 19 |
| 6215-635-003-00 | 26 36 | 6281-229-028-00 | 28 12 | 6904-110-840-00 | 5 18 |
| 6215-637-003-00 | 26 33 | 6281-229-031-00 | 28 4 | 6908-000-716-00 | 12 3 |
| 6215-639-006-00 | 26 16 | 6281-270-001-00 | 22 2 | | 20 10 |
| 6215-639-007-00 | 26 17 | 6281-410-002-20 | 23 3 | 6908-000-750-00 | 15 4 |
| 6215-641-002-00 | 26 3 | 6281-910-001-00 | 23 5 | 6908-160-408-00 | 16 5 |
| 6215-643-003-00 | 26 4 | 6281-920-001-00 | 23 8 | 6908-160-510-00 | 5 17 |
| 6215-644-003-00 | 26 6 | 6281-971-001-10 | 23 1 | 6908-160-816-00 | 5 16 |
| 6215-649-003-00 | 26 5 | 6287-810-005-10 | 24 1 | 6908-161-018-00 | 15 2 |
| 6215-649-004-00 | 26 7 | 6509-000-084-00 | 9 8 | 6909-110-406-00 | 5 28 |
| 6215-649-005-00 | 26 9 | 6509-030-037-00 | 9 9 | | 9 35 |
| 6215-649-006-00 | 26 10 | 6509-360-912-10 | 21 3 | | 20 40 |
| 6215-649-007-00 | 26 11 | 6509-605-019-10 | 5 5 | 6909-110-408-00 | 27 23 |
| 6219-732-003-00 | 23 4 | | 9 3 | 6909-110-410-00 | 22 7 |
| 6219-752-011-00 | 20 2 | 6513-770-022-10 | 17 29 | 6909-110-508-00 | 9 12 |
| 6219-752-012-00 | 20 3 | 6515-419-014-00 | 21 4 | | 9 41 |
| 6219-752-013-00 | 20 4 | 6581-117-007-00 | 27 10 | | 11 20 |
| 6219-752-014-00 | 20 5 | 6581-123-011-00 | 27 12 | | 17 14 |
| 6219-752-015-00 | 20 6 | 6581-129-092-00 | 27 15 | | 17 20 |
| 6281-100-003-00 | 22 8 | 6581-129-096-00 | 27 16 | 6909-111-406-00 | 20 35 |
| 6281-111-002-00 | 27 1 | 6581-129-099-00 | 27 13 | 6909-111-508-00 | 27 20 |
| 6281-115-004-00 | 27 11 | 6581-129-100-00 | 27 14 | 6909-150-506-00 | 20 42 |
| 6281-116-002-00 | 27 2 | 6582-450-014-00 | 23 2 | 6909-150-508-00 | 9 13 |
| 6281-118-001-00 | 27 9 | 6894-207-904-00 | 22 6 | | 17 15 |
| 6281-121-003-00 | 27 3 | 6894-240-902-00 | 13 7 | | 17 21 |
| 6281-124-001-00 | 27 6 | 6894-453-344-00 | 5 20 | | 27 22 |
| 6281-129-006-00 | 27 17 | 6901-066-645-00 | 15 10 | 6909-164-508-00 | 11 21 |
| 6281-129-007-00 | 27 7 | 6901-910-612-00 | 5 25 | 6909-164-708-00 | 9 42 |
| 6281-129-008-00 | 27 18 | | 7 5 | 6909-202-308-00 | 9 25 |
| 6281-129-009-00 | 27 19 | | 12 5 | 6909-572-008-00 | 2 5 |
| 6281-129-010-00 | 27 4 | | 20 14 | | 24 5 |
| 6281-129-011-00 | 27 5 | | 23 7 | 6909-830-212-00 | 1 12 |
| 6281-129-019-00 | 27 21 | 6901-910-625-00 | 16 7 | 6909-902-299-00 | 5 21 |
| 6281-151-004-00 | 27 8 | 6901-910-816-00 | 8 4 | 6909-906-105-10 | 16 13 |
| 6281-200-007-00 | 22 1 | | 16 11 | 6909-920-843-00 | 9 17 |
| 6281-211-004-00 | 28 2 | 6901-910-830-00 | 17 32 | | 9 21 |
| 6281-213-008-00 | 28 1 | 6901-910-835-00 | 9 11 | | 9 26 |
| 6281-214-006-00 | 28 13 | 6901-910-840-00 | 9 10 | | 16 14 |
| 6281-222-007-00 | 28 3 | | 9 39 | | 24 13 |
| 6281-229-021-00 | 28 5 | 6901-910-845-00 | 9 15 | 6911-129-006-00 | 1 3 |
| 6281-229-022-00 | 28 6 | | 17 13 | 6911-129-083-00 | 5 7 |
| 6281-229-023-00 | 28 7 | 6901-911-020-00 | 8 3 | 6911-219-195-00 | 5 4 |
| 6281-229-024-00 | 28 8 | | 10 2 | | |
| 6281-229-025-00 | 28 9 | 6901-911-025-00 | 22 9 | | |

NUMERICAL INDEX

6003-097-130-00

| PART CODE | FIG. KEY | PART CODE | FIG. KEY | PART CODE | FIG. KEY |
|-----------------|----------|-----------------|----------|-----------------|----------|
| J061-210-015-00 | 17 23 | 6209-360-010-00 | 21 2 | 6211-342-001-30 | 8 2 |
| J062-062-067-00 | 21 6 | 6209-360-028-10 | 2 6 | 6211-360-004-10 | 7 1 |
| J062-076-082-00 | 21 5 | 6209-409-001-00 | 9 19 | 6211-361-019-10 | 7 2 |
| V211-560-802-00 | 3 3 | 6209-409-003-00 | 11 18 | 6211-510-002-00 | 5 10 |
| | 9 14 | 6209-490-002-00 | 2 4 | 6211-511-003-00 | 5 11 |
| | 17 19 | 6209-500-003-00 | 9 17A | 6211-511-004-00 | 5 12 |
| | 17 27 | 6209-580-002-10 | 20 37 | 6211-540-002-00 | 6 1 |
| | 22 3 | 6209-587-001-00 | 13 4 | 6211-560-002-00 | 6 3 |
| V211-560-802-50 | 4 3 | 6209-600-002-00 | 7 3 | 6211-599-001-10 | 5 13 |
| | 9 40 | 6209-605-004-00 | 1 4 | | 6 2 |
| V341-120-008-00 | 9 20 | 6209-610-001-00 | 5 3 | | 6 4 |
| V411-260-006-00 | 20 41 | 6209-610-002-10 | 9 4 | 6211-715-002-00 | 1 5 |
| V600-110-600-40 | 20 12 | 6209-623-001-00 | 7 4 | 6211-721-001-00 | 1 6 |
| V600-110-620-30 | 20 11 | 6209-625-001-00 | 5 14 | 6211-721-002-00 | 1 7 |
| V682-200-000-60 | 1 9 | | 24 10 | 6211-751-001-10 | 2 2 |
| V704-140-016-00 | 11 16 | 6209-625-002-00 | 9 5 | 6211-760-012-20 | 5 29 |
| V705-140-012-00 | 9 32 | | 24 12 | 6211-777-007-20 | 10 1 |
| V710-140-004-00 | 9 24 | 6209-630-002-10 | 23 6 | 6212-111-015-00 | 13 1 |
| | 20 21 | | 24 21 | 6212-114-015-00 | 14 1 |
| | 20 31 | 6209-740-001-00 | 9 27 | 6212-116-015-00 | 14 3 |
| V720-101-900-80 | 20 36 | 6209-749-001-10 | 5 15 | 6212-121-008-00 | 13 2 |
| V720-102-401-50 | 16 9 | 6209-788-001-00 | 5 27 | 6212-124-008-00 | 14 2 |
| | 24 16 | 6209-940-004-00 | 11 15 | 6212-126-008-00 | 14 4 |
| V723-102-005-50 | 17 31 | 6211-110-018-20 | 1 1 | 6212-211-001-10 | 13 3 |
| | 24 20 | 6211-141-018-10 | 1 10 | 6212-230-003-00 | 13 5 |
| 1373-121-001-00 | 22 4 | | 24 3 | 6212-235-001-00 | 13 6 |
| 3625-540-004-00 | 9 22 | 6211-150-008-00 | 1 2 | 6212-261-006-00 | 13 8 |
| 6209-000-002-00 | 11 19 | 6211-170-006-10 | 2 1 | 6212-264-006-00 | 6 5 |
| 6209-000-003-00 | 1 11 | 6211-173-004-00 | 2 3 | 6212-266-006-00 | 6 6 |
| 6209-000-004-00 | 5 2 | | 24 4 | 6212-310-010-00 | 15 1 |
| 6209-000-004-10 | 5 2A | 6211-210-021-10 | 5 1 | 6212-310-010-10 | 15 1A |
| 6209-000-013-00 | 15 7 | 6211-258-001-00 | 5 8 | 6212-330-013-30 | 15 5 |
| 6209-009-001-00 | 16 6 | | 24 8 | 6212-333-001-00 | 15 6 |
| 6209-030-005-00 | 9 6 | 6211-258-002-00 | 5 9 | 6212-371-014-20 | 15 8 |
| 6209-030-006-00 | 9 7 | | 24 9 | 6212-379-001-00 | 15 9 |
| 6209-030-041-00 | 17 28 | 6211-291-001-10 | 5 23 | 6212-511-004-00 | 12 1 |
| 6209-030-043-00 | 18 4 | 6211-292-001-20 | 5 24 | 6212-521-002-00 | 15 3 |
| 6209-031-083-00 | 20 16 | | 24 11 | 6212-522-003-00 | 12 2 |
| 6209-044-001-00 | 22 5 | 6211-310-006-20 | 9 1 | 6212-523-003-00 | 12 6 |
| | 20 34 | 6211-311-005-10 | 9 36 | 6212-524-002-00 | 20 9 |
| 6209-046-001-00 | 9 16 | 6211-312-001-20 | 9 28 | 6212-531-005-10 | 5 6 |
| 6209-050-001-00 | 9 33 | | 24 14 | 6212-535-001-00 | 12 4 |
| 6209-050-002-00 | 9 34 | 6211-312-002-20 | 9 37 | 6212-535-002-00 | 20 13 |
| 6209-056-001-00 | 20 7 | | 24 15 | 6212-551-001-00 | 11 1 |
| 6209-300-002-00 | 17 18 | 6211-340-002-20 | 8 1 | 6212-552-001-00 | 11 2 |

6003-097-130-00

| PART CODE | FIG. KEY | PART CODE | FIG. KEY | PART CODE | FIG. KEY |
|-----------------|----------|-----------------|----------|-----------------|----------|
| 6212-561-001-00 | 11 3 | 6213-669-002-00 | 18 3 | 6215-541-002-10 | 20 23 |
| 6212-563-001-00 | 11 4 | 6213-671-003-00 | 18 5 | 6215-541-003-10 | 20 33 |
| 6212-565-001-00 | 11 5 | 6213-674-006-10 | 22 2 | 6215-542-001-10 | 9 23 |
| 6212-569-002-00 | 1 8 | 6213-711-003-20 | 17 30 | 6215-542-002-00 | 20 20 |
| | 24 2 | 6213-716-001-40 | 17 24 | 6215-543-003-20 | 20 19 |
| 6212-571-001-10 | 11 6 | 6213-721-001-00 | 5 22 | 6215-546-001-00 | 9 18 |
| 6212-575-001-00 | 11 7 | 6213-721-003-00 | 17 25 | 6215-549-001-10 | 5 26 |
| 6212-600-003-00 | 11 8 | 6213-729-001-00 | 17 22 | 6215-549-003-00 | 20 22 |
| 6212-611-004-10 | 11 9 | 6213-743-002-10 | 17 26 | 6215-549-004-10 | 20 24 |
| 6212-616-002-00 | 11 17 | | 24 19 | 6215-549-006-00 | 20 26 |
| 6212-620-002-10 | 11 10 | 6214-111-014-00 | 3 1 | 6215-549-007-00 | 20 39 |
| 6212-621-003-10 | 11 11 | 6214-115-002-20 | 3 2 | 6215-549-007-10 | 20 39A |
| 6212-626-002-10 | 11 12 | | 24 6 | 6215-549-008-00 | 20 43 |
| 6212-628-004-00 | 11 13 | 6214-141-015-00 | 4 1 | 6215-549-009-00 | 20 27 |
| 6212-628-005-00 | 11 14 | 6214-145-006-10 | 4 2 | 6215-549-010-00 | 20 28 |
| 6213-100-003-20 | 16 1 | | 24 7 | 6215-549-021-00 | 20 38 |
| 6213-111-001-20 | 16 2 | 6215-300-005-00 | 19 1 | 6215-549-023-00 | 20 29 |
| 6213-120-003-00 | 16 3 | 6215-311-005-00 | 25 1 | 6215-549-024-00 | 20 30 |
| 6213-125-001-00 | 16 4 | 6215-315-002-00 | 19 2 | 6215-600-057-00 | 20 1 |
| 6213-140-004-10 | 16 8 | 6215-330-007-00 | 25 2 | 6215-611-003-00 | 26 1 |
| 6213-149-001-00 | 16 10 | 6215-332-002-00 | 25 16 | 6215-612-003-00 | 26 34 |
| 6213-160-002-00 | 9 29 | 6215-339-002-00 | 25 15 | 6215-619-012-00 | 26 35 |
| 6213-161-001-00 | 9 30 | 6215-342-002-00 | 25 3 | 6215-619-013-00 | 26 37 |
| 6213-164-001-00 | 9 31 | 6215-343-002-00 | 25 4 | 6215-619-014-00 | 26 38 |
| 6213-240-002-00 | 16 15 | 6215-345-044-00 | 25 5 | 6215-619-015-00 | 26 39 |
| 6213-311-003-10 | 16 12 | 6215-345-045-00 | 25 6 | 6215-619-016-00 | 26 40 |
| 6213-319-001-00 | 9 2 | 6215-345-046-00 | 25 7 | 6215-621-004-10 | 20 8 |
| 6213-610-005-30 | 17 1 | 6215-345-047-00 | 25 8 | 6215-622-002-00 | 26 12 |
| 6213-611-003-20 | 17 2 | 6215-345-048-00 | 25 9 | 6215-629-017-00 | 26 13 |
| 6213-612-004-00 | 17 9 | 6215-345-049-00 | 25 10 | 6215-629-019-00 | 26 14 |
| 6213-613-002-10 | 17 8 | 6215-345-050-00 | 25 11 | 6215-629-020-00 | 26 18 |
| 6213-614-003-10 | 17 12 | 6215-345-051-00 | 25 12 | 6215-629-021-00 | 26 19 |
| | 24 17 | 6215-345-052-00 | 25 13 | 6215-629-022-00 | 26 20 |
| 6213-614-006-10 | 17 17 | 6215-345-053-00 | 25 14 | 6215-629-023-00 | 26 21 |
| | 24 18 | 6215-355-003-00 | 25 18 | 6215-629-024-00 | 26 22 |
| 6213-619-002-00 | 17 11 | 6215-359-003-00 | 25 17 | 6215-629-025-00 | 26 23 |
| 6213-619-003-00 | 17 10 | 6215-359-004-00 | 25 19 | 6215-629-026-00 | 26 24 |
| 6213-619-005-00 | 17 16 | 6215-410-035-10 | 19 3 | 6215-629-027-00 | 26 25 |
| 6213-621-003-00 | 17 6 | 6215-410-036-10 | 19 4 | 6215-629-028-00 | 26 26 |
| 6213-622-002-10 | 17 5 | 6215-412-001-20 | 21 1 | 6215-629-029-00 | 26 27 |
| 6213-631-002-00 | 17 3 | 6215-520-001-00 | 20 15 | 6215-629-030-00 | 26 28 |
| 6213-631-005-00 | 17 4 | 6215-526-001-10 | 20 17 | 6215-629-031-00 | 26 29 |
| 6213-641-004-00 | 18 2 | 6215-531-005-00 | 20 32 | 6215-629-032-00 | 26 30 |
| 6213-642-002-00 | 17 7 | 6215-536-001-00 | 20 25 | 6215-629-033-00 | 26 31 |
| 6213-660-006-00 | 18 1 | 6215-541-001-00 | 20 18 | 6215-629-034-00 | 26 32 |

| PART CODE | FIG. KEY | PART CODE | FIG. KEY | PART CODE | FIG. KEY |
|-----------------|----------|-----------------|----------|-----------------|----------|
| 6215-631-004-00 | 26 2 | 6281-229-002-00 | 28 2 | 6901-910-625-00 | 16 7 |
| 6215-634-002-00 | 26 15 | 6281-229-003-00 | 28 3 | 6901-910-816-00 | 8 4 |
| 6215-635-002-00 | 26 8 | 6281-229-004-00 | 28 6 | | 16 11 |
| 6215-635-003-00 | 26 36 | 6281-229-005-00 | 28 5 | 6901-910-830-00 | 17 32 |
| 6215-637-003-00 | 26 33 | 6281-229-006-00 | 28 8 | 6901-910-835-00 | 9 11 |
| 6215-639-006-00 | 26 16 | 6281-229-007-00 | 28 9 | 6901-910-840-00 | 9 10 |
| 6215-639-007-00 | 26 17 | 6281-229-008-00 | 28 11 | | 9 39 |
| 6215-641-002-00 | 26 3 | 6281-229-009-00 | 28 10 | 6901-910-845-00 | 9 15 |
| 6215-643-003-00 | 26 4 | 6281-229-010-00 | 28 14 | | 17 13 |
| 6215-644-003-00 | 26 6 | 6281-229-011-00 | 28 15 | 6901-911-020-00 | 8 3 |
| 6215-649-003-00 | 26 5 | 6281-229-012-00 | 28 19 | | 10 2 |
| 6215-649-004-00 | 26 7 | 6281-229-013-00 | 28 20 | 6901-911-025-00 | 22 8 |
| 6215-649-005-00 | 26 9 | 6281-229-014-00 | 28 21 | 6902-050-816-00 | 9 38 |
| 6215-649-006-00 | 26 10 | 6281-229-015-00 | 28 22 | 6904-110-818-00 | 5 19 |
| 6215-649-007-00 | 26 11 | 6281-229-016-00 | 28 23 | 6904-110-840-00 | 5 18 |
| 6219-732-003-00 | 23 4 | 6281-229-017-00 | 28 24 | 6908-000-716-00 | 12 3 |
| 6219-752-011-00 | 20 2 | 6281-229-018-00 | 28 25 | | 20 10 |
| 6219-752-012-00 | 20 3 | 6281-271-002-00 | 28 26 | 6908-000-750-00 | 15 4 |
| 6219-752-013-00 | 20 4 | 6281-410-002-20 | 23 3 | 6908-160-408-00 | 16 5 |
| 6219-752-014-00 | 20 5 | 6281-910-001-00 | 23 5 | 6908-160-510-00 | 5 17 |
| 6219-752-015-00 | 20 6 | 6281-920-001-00 | 23 8 | 6908-160-816-00 | 5 16 |
| 6281-100-003-00 | 22 7 | 6281-971-001-10 | 23 1 | 6908-161-018-00 | 15 2 |
| 6281-111-002-00 | 27 1 | 6287-810-006-10 | 24 1 | 6909-110-406-00 | 5 28 |
| 6281-115-004-00 | 27 11 | 6509-000-084-00 | 9 8 | | 9 35 |
| 6281-116-002-00 | 27 2 | 6509-030-037-00 | 9 9 | | 20 40 |
| 6281-118-001-00 | 27 9 | 6509-360-912-10 | 21 3 | 6909-110-408-00 | 27 23 |
| 6281-121-003-00 | 27 3 | 6509-605-019-10 | 5 5 | 6909-110-410-00 | 22 6 |
| 6281-124-001-00 | 27 6 | | 9 3 | 6909-110-508-00 | 9 12 |
| 6281-129-006-00 | 27 17 | 6513-770-022-10 | 17 29 | | 9 41 |
| 6281-129-007-00 | 27 7 | 6515-419-014-00 | 21 4 | | 11 20 |
| 6281-129-008-00 | 27 18 | 6581-117-007-00 | 27 10 | | 17 14 |
| 6281-129-009-00 | 27 19 | 6581-123-011-00 | 27 12 | | 17 20 |
| 6281-129-010-00 | 27 4 | 6581-129-092-00 | 27 15 | 6909-111-406-00 | 20 35 |
| 6281-129-011-00 | 27 5 | 6581-129-096-00 | 27 16 | 6909-111-508-00 | 27 20 |
| 6281-129-019-00 | 27 21 | 6581-129-099-00 | 27 13 | 6909-150-506-00 | 20 42 |
| 6281-151-004-00 | 27 8 | 6581-129-100-00 | 27 14 | 6909-150-508-00 | 9 13 |
| 6281-200-016-00 | 22 1 | 6582-450-014-00 | 23 2 | | 17 15 |
| 6281-213-003-00 | 28 7 | 6894-240-902-00 | 13 7 | | 17 21 |
| 6281-214-003-00 | 28 12 | 6894-453-344-00 | 5 20 | | 27 22 |
| 6281-214-004-00 | 28 13 | 6901-066-645-00 | 15 10 | 6909-164-508-00 | 11 21 |
| 6281-215-001-00 | 28 17 | 6901-910-612-00 | 5 25 | 6909-164-708-00 | 9 42 |
| 6281-216-001-00 | 28 18 | | 7 5 | 6909-202-308-00 | 9 25 |
| 6281-217-001-00 | 28 16 | | 12 5 | 6909-572-008-00 | 2 5 |
| 6281-221-001-00 | 28 4 | | 20 14 | | 24 5 |
| 6281-222-004-00 | 28 1 | | 23 7 | 6909-830-212-00 | 1 12 |

NUMERICAL INDEX

1608-098-100-00

| PART CODE | FIG. KEY | PART CODE | FIG. KEY | PART CODE | FIG. KEY |
|-----------------|----------|-----------------|----------|-----------------|----------|
| 1301-411-005-00 | 37 6 | 1488-611-001-00 | 38 10A | 1593-103-053-10 | 3 2 |
| | 37 6 | 1518-621-560-00 | 37 9 | 1593-103-054-00 | 3 2A |
| | 39 13 | | 37 9 | 1593-103-500-10 | 3 1 |
| 1323-220-012-00 | 19 10 | 1524-122-001-00 | 20 6 | 1593-104-001-30 | 4 8 |
| 1337-401-006-00 | 20 15 | 1527-604-002-00 | 39 17 | 1593-104-001-40 | 4 8A |
| | 24 27 | 1544-104-203-00 | 4 3 | 1593-104-004-00 | 4 9 |
| 1365-121-005-00 | 23 12 | 1544-104-204-00 | 4 5 | 1593-104-500-00 | 4 1 |
| | 23 20 | 1544-104-205-00 | 4 6 | 1593-104-502-00 | 4 2 |
| 1376-121-001-00 | 29 24 | 1560-104-010-40 | 2 16 | 1593-112-002-50 | 6 5 |
| 1376-606-005-00 | 37 4 | 1560-132-007-30 | 20 14 | | 7 4 |
| | 37 4 | 1560-664-250-00 | 41 15 | 1593-112-003-20 | 6 8 |
| | 38 18 | | 42 20 | | 7 7 |
| | 39 12 | 1564-512-001-00 | 30 2 | 1593-112-051-30 | 6 4 |
| 1383-452-001-00 | 22 12 | 1564-654-213-00 | 43 4 | | 7 3 |
| 1386-241-002-00 | 21 4 | 1575-623-009-00 | 41 2 | 1593-112-200-00 | 6 1 |
| | 21 10 | | 42 2 | 1593-112-210-00 | 7 1 |
| | 32 4 | 1575-623-010-00 | 41 3 | 1593-112-222-00 | 6 9 |
| 1415-120-006-00 | 17 4 | | 42 3 | | 7 8 |
| | 20 16 | 1581-621-290-00 | 41 13 | 1593-112-232-00 | 7 9 |
| 1415-125-021-00 | 24 29 | | 42 18 | 1593-112-510-30 | 6 3 |
| | 9 16 | 1581-740-116-00 | 36 11 | | 7 2 |
| 1416-209-005-00 | 37 9A | 1588-105-210-00 | 5 5 | 1593-112-520-00 | 6 12 |
| 1416-600-057-00 | 37 9A | 1593-101-003-20 | 1 6 | | 7 12 |
| 1421-903-010-00 | 47 31 | 1593-101-009-10 | 1 12 | 1593-112-520-10 | 6 12A |
| 1424-101-203-00 | 2 17 | 1593-101-011-10 | 1 13 | | 7 12A |
| | 2 18 | 1593-101-012-00 | 1 14 | 1593-117-001-40 | 8 3 |
| 1424-101-204-00 | 2 9 | | 16 5 | 1593-117-003-10 | 8 6 |
| 1425-621-004-00 | 3 4 | 1593-101-210-40 | 1 1 | 1593-117-200-20 | 8 1 |
| | 22 31 | 1593-101-220-40 | 1 2 | 1593-117-510-20 | 8 2 |
| 1427-130-260-00 | 22 4 | 1593-102-001-10 | 2 10 | 1593-122-051-00 | 9 1 |
| 1427-601-003-00 | | | | | |
| | 6 2 | 1593-102-002-10 | 2 11 | 1593-203-058-20 | 11 2 |
| 1427-621-002-10 | 30 7 | 1593-102-003-20 | 2 14 | 1593-304-008-00 | 18 3 |
| | 37 2 | 1593-102-004-20 | 2 15 | 1593-304-051-20 | 18 1 |
| | 37 2 | 1593-102-005-30 | 2 6 | 1593-304-053-10 | 18 6 |
| 1427-934-013-00 | 47 14 | 1593-102-006-40 | 2 21 | 1593-304-054-10 | 18 4A |
| | 47 22 | 1593-102-006-50 | 2 21A | 1593-304-055-10 | 18 7 |
| 1427-941-016-00 | 34 14 | 1593-102-009-10 | 2 23 | 1593-304-057-10 | 18 8 |
| 1432-242-004-00 | 13 6 | 1593-102-011-00 | 2 7 | 1593-307-051-20 | 18 12 |
| 1435-201-220-00 | 6 17 | 1593-102-012-00 | 2 22 | | 18 16 |
| 1444-111-003-00 | 20 12 | 1593-102-500-00 | 2 1 | 1593-307-052-10 | 18 13 |
| 1444-122-002-00 | | | | | |
| | 40 14 | 1593-102-500-10 | 2 1A | | 18 17 |
| 1444-601-015-00 | 38 21 | 1593-102-502-00 | 2 2 | 1593-307-053-10 | 18 14 |
| 1444-621-008-00 | 40 6 | 1593-102-503-00 | 2 3 | | 18 18 |
| 1444-621-311-00 | 40 7 | 1593-102-504-00 | 2 4 | 1593-310-054-20 | 19 6 |
| 1444-621-312-00 | 31 8 | 1593-102-505-00 | 2 5 | 1593-310-520-20 | 19 4 |
| 1480-207-011-00 | | | | | |

1608-098-100-00

| PART CODE | FIG. KEY | PART CODE | FIG. KEY | PART CODE | FIG. KEY |
|-----------------|----------|-----------------|----------|-----------------|----------|
| 1593-310-530-00 | 19 9 | 1593-402-052-30 | 28 1 | 1593-411-052-20 | 32 7 |
| 1593-310-540-00 | 19 9A | 1593-402-052-50 | 28 1A | 1593-411-053-10 | 32 8 |
| 1593-312-056-20 | 20 18 | 1593-402-210-00 | 28 1B | 1593-411-053-20 | 32 8A |
| | 20 27 | 1593-402-510-40 | 28 5 | 1593-411-201-00 | 32 1 |
| 1593-317-201-00 | 21 2 | 1593-403-001-10 | 29 11 | 1593-411-610-10 | 32 2 |
| 1593-317-210-00 | 21 1 | 1593-403-003-10 | 29 10 | 1593-553-003-20 | 33 2 |
| 1593-332-051-20 | 22 9 | 1593-403-004-10 | 29 3 | 1593-553-007-20 | 33 7 |
| 1593-332-051-30 | 22 9A | 1593-403-005-00 | 29 28 | 1593-553-540-20 | 33 1 |
| 1593-332-052-00 | 22 7 | 1593-403-007-20 | 29 22 | 1593-553-540-30 | 33 1A |
| 1593-332-052-10 | 22 7A | 1593-403-009-00 | 29 4 | 1593-553-540-40 | 33 1B |
| 1593-332-053-00 | 22 8 | 1593-403-052-30 | 29 15 | 1593-553-540-50 | 33 1C |
| 1593-332-061-00 | 22 2 | 1593-403-056-30 | 29 16 | 1593-553-550-10 | 33 6 |
| 1593-332-520-10 | 22 1 | 1593-403-056-40 | 29 16A | 1593-553-670-30 | 33 12 |
| 1593-332-520-20 | 22 1A | 1593-403-058-20 | 29 26 | 1593-555-011-00 | 34 18 |
| 1593-332-520-30 | 22 1B | 1593-403-058-30 | 29 26A | | 46 6 |
| 1593-333-500-30 | 22 14 | 1593-403-500-50 | 29 1 | 1593-555-012-00 | 34 19 |
| 1593-334-051-20 | 22 20 | 1593-403-500-60 | 29 1A | | 46 7 |
| 1593-334-051-30 | 22 20A | 1593-403-500-70 | 29 1B | 1593-555-013-00 | 34 20 |
| 1593-334-054-20 | 22 19 | 1593-403-500-80 | 29 1C | | 46 8 |
| 1593-334-054-30 | 22 19A | 1593-403-510-50 | 29 2 | 1593-555-300-00 | 46 5 |
| 1593-334-055-00 | 22 21 | 1593-403-510-60 | 29 2A | 1593-601-002-40 | 35 14 |
| 1593-334-056-40 | 22 18 | 1593-403-510-70 | 29 2B | 1593-601-008-10 | 36 15 |
| 1593-334-056-50 | 22 18A | 1593-403-510-80 | 29 2C | 1593-601-008-20 | 36 15A |
| 1593-334-300-00 | 22 25 | 1593-403-530-60 | 29 19 | 1593-601-008-30 | 36 15B |
| 1593-334-300-10 | 22 25A | 1593-406-004-00 | 30 10 | 1593-601-009-00 | 35 10 |
| 1593-334-300-20 | 22 25B | 1593-406-005-10 | 30 9 | 1593-601-054-00 | 36 18 |
| 1593-334-310-00 | 22 27 | 1593-406-006-00 | 30 13 | 1593-601-061-20 | 36 17 |
| 1593-334-310-10 | 22 27A | 1593-406-008-00 | 30 5 | 1593-601-061-30 | 36 17A |
| 1593-334-310-20 | 22 27B | 1593-406-240-10 | 30 12 | 1593-601-061-40 | 36 17B |
| 1593-335-058-00 | 22 33 | 1593-406-250-00 | 30 8 | 1593-601-062-20 | 35 2 |
| 1593-335-500-30 | 22 29 | 1593-406-500-10 | 30 1 | 1593-601-064-20 | 36 10 |
| 1593-335-500-40 | 22 29A | 1593-406-500-20 | 30 1A | 1593-601-065-10 | 30 4 |
| 1593-335-500-50 | 22 29B | 1593-406-500-30 | 30 1B | 1593-601-067-10 | 35 3 |
| 1593-341-008-00 | 25 23 | 1593-407-002-00 | 31 6 | 1593-601-067-20 | 35 3A |
| 1593-341-009-00 | 25 24 | 1593-407-004-40 | 31 3 | 1593-601-067-30 | 35 3B |
| 1593-341-012-10 | 25 25 | 1593-407-006-00 | 31 7 | 1593-601-068-10 | 35 5 |
| 1593-342-001-00 | 25 1 | 1593-407-007-10 | 31 15 | | 35 11 |
| | 26 1 | 1593-407-051-50 | 31 1 | 1593-601-069-00 | 30 3 |
| 1593-351-001-00 | 26 3 | 1593-407-051-60 | 31 1A | 1593-601-071-00 | 35 4 |
| 1593-401-071-40 | 27 3 | 1593-407-200-40 | 31 5 | 1593-601-072-00 | 35 5A |
| 1593-401-071-50 | 27 3A | 1593-407-510-50 | 31 11 | | 35 13 |
| 1593-401-570-00 | 27 5 | 1593-407-520-30 | 31 16 | 1593-601-073-00 | 36 13 |
| 1593-401-580-00 | 27 7 | 1593-407-530-30 | 31 18 | 1593-601-074-00 | 36 12 |
| 1593-402-051-00 | 28 2 | 1593-407-530-40 | 31 18A | 1593-601-271-20 | 35 18 |
| 1593-402-051-10 | 28 2A | 1593-411-001-10 | 32 6 | 1593-601-271-30 | 35 18A |

| PART CODE | FIG. KEY | PART CODE | FIG. KEY | PART CODE | FIG. KEY |
|-----------------|----------|-----------------|----------|-----------------|----------|
| 1593-601-500-40 | 35 1 | 1593-621-001-40 | 40 9A | | 47 7 |
| 1593-601-500-50 | 35 1A | 1593-621-250-10 | 40 4 | | 47 15 |
| 1593-601-510-00 | 36 1 | 1593-621-252-00 | 40 5 | | 47 23 |
| 1593-601-510-10 | 36 1A | 1593-621-510-30 | 40 2 | 1593-901-009-10 | 47 7A |
| 1593-601-510-20 | 36 1B | 1593-622-001-10 | 43 7 | | 47 15A |
| 1593-601-520-40 | 36 2 | 1593-622-211-10 | 40 12 | | 47 23A |
| 1593-601-520-50 | 36 2A | 1593-622-240-00 | 43 3 | 1593-901-015-00 | 44 10 |
| 1593-601-520-60 | 36 2B | 1593-622-250-00 | 43 2 | | 45 11 |
| 1593-601-521-10 | 36 3 | 1593-622-270-00 | 43 5 | | 46 2 |
| 1593-601-521-20 | 36 3A | 1593-622-330-00 | 43 1 | 1593-901-200-00 | 46 1 |
| 1593-601-521-30 | 36 3B | 1593-623-001-00 | 6 16 | 1593-904-001-00 | 47 1 |
| 1593-601-522-30 | 36 4 | | 7 18 | 1593-904-003-00 | 47 3 |
| 1593-601-523-10 | 36 5 | | 41 9 | 1593-904-007-00 | 47 5 |
| 1593-601-524-10 | 36 6 | | 42 14 | 1593-905-001-00 | 47 9 |
| 1593-601-525-10 | 36 7 | 1593-623-002-00 | 41 8 | 1593-905-003-00 | 47 11 |
| 1593-601-561-20 | 35 16 | | 42 13 | 1593-905-007-00 | 47 13 |
| 1593-601-561-30 | 35 16A | 1593-623-003-00 | 41 10 | 1593-906-001-00 | 47 17 |
| 1593-601-581-20 | 35 19 | | 42 15 | 1593-906-003-00 | 47 19 |
| 1593-601-581-30 | 35 19A | 1593-623-270-00 | 38 4 | 1593-906-007-00 | 47 21 |
| 1593-606-006-10 | 37 5 | 1593-623-270-10 | 38 4A | 1593-907-001-00 | 47 25 |
| | 37 5 | 1593-623-272-00 | 38 5 | 1593-907-003-00 | 47 27 |
| | 39 14 | 1593-623-273-00 | 38 6 | 1593-907-005-00 | 47 29 |
| 1593-611-001-00 | 38 15B | 1593-623-502-00 | 41 4 | 1593-907-007-00 | 47 30 |
| 1593-611-011-10 | 38 3 | | 42 4 | 1593-907-007-10 | 47 30A |
| 1593-611-011-20 | 38 3A | 1593-623-503-00 | 41 5 | 1600-112-231-00 | 6 14 |
| 1593-611-012-00 | 38 10 | | 42 5 | | 7 14 |
| 1593-611-013-00 | 38 11 | 1593-623-504-00 | 41 7 | 1600-112-232-00 | 6 10 |
| 1593-611-014-00 | 38 17 | | 42 7 | | 6 15 |
| 1593-611-058-00 | 38 14 | 1593-623-520-00 | 24 6 | | 7 15 |
| 1593-611-200-10 | 38 9 | | 41 16 | 1600-505-007-00 | 8 9 |
| 1593-611-200-20 | 38 9A | | 42 21 | 1600-902-023-00 | 47 6 |
| 1593-611-200-30 | 38 9B | 1593-623-610-00 | 42 8 | 1608-105-001-20 | 5 13 |
| 1593-611-200-40 | 38 9C | 1593-630-210-00 | 43 10 | 1608-105-001-40 | 5 13A |
| 1593-611-200-50 | 38 9D | 1593-630-211-00 | 43 11 | 1608-105-002-10 | 5 17 |
| 1593-611-210-20 | 38 1 | 1593-630-220-10 | 43 14 | 1608-105-003-20 | 5 20 |
| 1593-611-210-30 | 38 1A | 1593-630-300-00 | 43 9 | 1608-105-003-30 | 5 20A |
| 1593-611-210-40 | 38 1B | 1593-901-001-00 | 44 1 | 1608-105-210-00 | 5 23 |
| 1593-612-004-00 | 39 1 | | 45 1 | 1608-105-211-00 | 5 23A |
| 1593-612-005-00 | 39 2 | 1593-901-002-00 | 44 2 | 1608-105-220-10 | 5 8 |
| 1593-612-220-10 | 39 6 | | 45 2 | 1608-105-220-30 | 5 8A |
| 1593-612-230-00 | 39 9 | 1593-901-005-00 | 44 4 | 1608-105-221-00 | 5 9 |
| 1593-616-004-20 | 37 3 | | 45 3 | 1608-105-222-00 | 5 10 |
| | 37 3 | 1593-901-005-10 | 44 4A | 1608-105-222-10 | 5 10A |
| | 39 11 | | 45 3A | 1608-105-230-00 | 5 2 |
| 1593-621-001-30 | 40 9 | 1593-901-009-00 | 45 5 | 1608-105-240-00 | 5 17A |

1608-098-100-00

| PART CODE | FIG. KEY | PART CODE | FIG. KEY | PART CODE | FIG. KEY |
|-----------------|----------|-----------------|----------|-----------------|----------|
| 1608-105-240-10 | 5 17B | 1608-206-200-20 | 13 1 | 1608-313-200-10 | 20 23 |
| 1608-105-240-20 | 5 17C | 1608-206-200-30 | 13 1A | 1608-341-001-10 | 23 4 |
| 1608-105-250-00 | 5 13B | 1608-206-210-10 | 13 10 | 1608-341-001-20 | 23 4A |
| 1608-122-001-00 | 9 11 | 1608-206-210-20 | 13 10A | 1608-341-003-10 | 23 10 |
| 1608-122-002-10 | 9 13 | 1608-206-240-00 | 13 25 | 1608-341-003-20 | 23 10A |
| 1608-122-003-00 | 9 5 | 1608-207-003-20 | 15 14 | 1608-341-006-10 | 23 18 |
| 1608-122-004-00 | 9 2 | 1608-207-004-10 | 15 5 | 1608-341-008-00 | 23 24 |
| 1608-122-200-30 | 9 6 | | 15 15 | 1608-341-012-00 | 25 8 |
| 1608-122-200-40 | 9 6A | 1608-207-006-10 | 16 9 | 1608-341-013-00 | 25 14 |
| 1608-122-200-50 | 9 6B | 1608-207-007-10 | 16 10 | 1608-341-014-10 | 25 15 |
| 1608-122-210-10 | 9 7 | 1608-207-008-00 | 16 16 | 1608-341-015-00 | 25 16 |
| 1608-122-210-20 | 9 7A | 1608-207-009-20 | 16 17 | 1608-341-016-00 | 25 18 |
| 1608-122-220-10 | 9 8 | 1608-207-011-00 | 14 7 | 1608-341-021-10 | 24 21 |
| 1608-122-220-20 | 9 8A | 1608-207-012-00 | 14 17 | 1608-341-023-00 | 24 16 |
| 1608-122-230-10 | 9 15 | 1608-207-014-00 | 15 21 | 1608-341-025-10 | 24 28 |
| 1608-201-001-10 | 10 1 | 1608-207-200-20 | 14 1 | 1608-341-026-00 | 23 5 |
| 1608-201-001-30 | 10 1A | 1608-207-200-30 | 14 1A | 1608-341-027-00 | 25 4 |
| 1608-201-001-40 | 10 1B | 1608-207-210-20 | 14 6 | 1608-341-200-00 | 25 3 |
| 1608-201-002-20 | 10 8 | 1608-207-220-20 | 14 12 | 1608-341-210-10 | 23 1 |
| 1608-201-002-30 | 10 8A | 1608-207-230-00 | 14 16 | 1608-341-210-20 | 23 1A |
| 1608-201-004-20 | 10 13 | 1608-207-240-20 | 15 1 | 1608-341-210-30 | 23 1B |
| 1608-201-005-10 | 10 17 | 1608-207-250-20 | 15 9 | 1608-341-220-20 | 23 14 |
| 1608-201-006-10 | 10 26 | 1608-207-260-20 | 15 19 | 1608-341-230-20 | 24 1 |
| 1608-201-006-20 | 10 26A | 1608-207-270-10 | 16 1 | 1608-341-240-10 | 24 4 |
| 1608-201-008-10 | 10 29 | 1608-207-280-10 | 14 21 | 1608-341-240-20 | 24 4A |
| 1608-201-011-10 | 10 35 | 1608-207-290-00 | 16 4 | | 24 11 |
| 1608-201-011-20 | 10 35A | 1608-207-310-00 | 15 4 | 1608-341-240-30 | 24 5 |
| 1608-201-013-00 | 10 27 | 1608-208-200-00 | 17 1 | | 24 11A |
| 1608-201-200-20 | 10 24 | 1608-304-001-00 | 18 2 | 1608-341-250-10 | 24 14 |
| 1608-203-002-00 | 11 4 | 1608-307-200-10 | 18 11 | 1608-341-260-20 | 24 19 |
| 1608-203-002-10 | 11 4A | 1608-307-210-10 | 18 15 | 1608-341-260-30 | 24 19A |
| 1608-203-002-20 | 11 4B | 1608-310-001-30 | 19 7 | 1608-341-270-00 | 24 4B |
| 1608-203-002-30 | 11 4C | 1608-310-002-00 | 19 2 | 1608-341-310-10 | 25 12 |
| 1608-203-003-00 | 11 8 | 1608-310-200-10 | 19 1 | 1608-341-310-20 | 25 12A |
| 1608-203-003-20 | 11 8A | 1608-312-002-10 | 20 8 | 1608-341-310-30 | 25 12B |
| 1608-203-200-00 | 11 1 | 1608-312-003-30 | 20 11 | 1608-341-320-10 | 25 20 |
| 1608-203-210-00 | 11 12 | 1608-312-003-40 | 20 11A | 1608-341-330-00 | 23 22 |
| 1608-205-200-00 | 12 1 | 1608-312-005-00 | 20 4 | 1608-401-200-30 | 27 1 |
| 1608-205-200-10 | 12 1A | 1608-312-006-10 | 20 19 | 1608-401-200-50 | 27 1A |
| 1608-206-001-00 | 13 4 | 1608-312-006-20 | 20 19A | 1608-401-200-60 | 27 1B |
| 1608-206-002-00 | 13 30 | 1608-312-200-20 | 20 1 | 1608-401-200-70 | 27 1C |
| 1608-206-003-00 | 13 34 | 1608-312-200-30 | 20 1A | 1608-401-200-80 | 27 1D |
| 1608-206-003-10 | 13 34A | 1608-312-200-40 | 20 1B | 1608-401-200-90 | 27 1E |
| 1608-206-004-00 | 13 35 | 1608-312-210-20 | 20 5 | 1608-401-250-00 | 27 1F |
| 1608-206-005-00 | 13 37A | 1608-312-220-00 | 20 17 | 1608-553-200-20 | 33 11 |

| PART CODE | FIG. KEY | PART CODE | FIG. KEY | PART CODE | FIG. KEY |
|-----------------|----------|-----------------|----------|-----------------|----------|
| 1608-553-200-30 | 33 11A | 1608-905-001-00 | 47 10 | 2706-501-003-00 | 39 7 |
| 1608-553-200-40 | 33 11B | 1608-905-001-10 | 47 10A | 2706-501-004-00 | 39 8 |
| 1608-553-210-00 | 33 14 | 1608-905-006-00 | 47 12 | 3517-205-007-00 | 24 2 |
| 1608-554-001-00 | 34 11 | 1608-906-001-00 | 47 18 | 3560-201-015-00 | 39 4 |
| 1608-554-002-00 | 34 15 | 1608-906-001-10 | 47 18A | 3600-201-013-00 | 20 24 |
| 1608-554-200-10 | 34 1 | 1608-906-006-00 | 47 20 | 3610-631-002-00 | 35 8 |
| 1608-554-210-00 | 34 4 | 1608-907-001-00 | 47 26 | 3614-261-002-00 | 40 8 |
| 1608-554-210-10 | 34 4A | 1608-907-001-10 | 47 26A | 3621-702-003-00 | 29 7 |
| 1608-554-600-10 | 34 7 | 1608-907-002-00 | 47 28 | 3623-820-013-00 | 27 4 |
| 1608-554-600-20 | 34 7A | 1614-922-200-10 | 48 1 | 3625-212-007-00 | 29 17 |
| 1608-606-200-10 | 37 1 | 1631-401-300-00 | 27 5A | 3626-276-003-00 | 6 18 |
| | 37 1 | 1631-401-310-00 | 27 7A | | 7 19 |
| 1608-606-200-20 | 37 1A | 1631-611-210-00 | 38 2 | 3631-221-001-00 | 1 9 |
| | 37 1A | 1631-611-210-10 | 38 2A | 3631-270-003-00 | 43 6 |
| 1608-606-200-30 | 37 1B | 1631-611-210-20 | 38 2B | 3631-353-001-10 | 10 32 |
| | 37 1B | | 46 10 | 3631-353-002-10 | 13 36 |
| 1608-606-200-40 | 37 1C | 1631-910-001-00 | 47 32 | 3631-671-003-00 | 14 20 |
| | 37 1C | 1631-910-001-10 | 47 32A | 3640-711-001-00 | 38 15A |
| 1608-616-001-10 | 39 15 | 1631-910-002-00 | 47 33 | 3643-586-001-00 | 5 26 |
| 1608-616-002-10 | 39 16 | 1631-910-003-00 | 47 34 | 3646-703-001-00 | 22 5 |
| 1608-616-002-20 | 39 16A | 1631-910-004-00 | 47 35 | 3648-703-001-00 | 22 5A |
| 1608-616-200-10 | 39 10 | 1631-910-005-00 | 47 36 | 3650-261-261-00 | 42 9 |
| 1608-616-200-20 | 39 10A | 1631-910-005-10 | 47 36A | 3650-262-202-00 | 41 6 |
| 1608-621-500-00 | 40 1 | 1631-910-006-00 | 47 37 | | 42 6 |
| 1608-621-500-10 | 40 1A | 1631-910-007-00 | 47 38 | | 43 15 |
| 1608-623-500-00 | 41 1 | 1636-901-009-00 | 44 9 | 3650-270-214-00 | 40 3 |
| 1608-623-500-10 | 41 1A | | 45 9 | 3652-261-202-00 | 6 13 |
| 1608-623-500-20 | 41 1B | | 46 3 | | 7 13 |
| 1608-623-500-30 | 41 1C | 1636-901-015-00 | 44 11 | 3656-115-001-00 | 14 15 |
| 1608-623-500-40 | 41 1D | | 45 12 | 3656-221-001-00 | 34 8 |
| 1608-623-500-50 | 41 1E | 1640-903-013-00 | 47 15B | 3656-221-001-10 | 34 8A |
| 1608-623-600-00 | 42 1 | 1640-903-016-00 | 47 16 | 3656-354-004-10 | 13 37 |
| 1608-623-600-10 | 42 1A | 1640-903-033-00 | 47 7B | 3659-310-004-00 | 5 25 |
| 1608-623-600-20 | 42 1B | 1640-903-036-00 | 47 8 | 3659-352-002-00 | 13 24 |
| 1608-901-001-00 | 44 3 | 1640-904-013-00 | 47 23B | 3661-212-001-00 | 17 5 |
| 1608-901-001-10 | 44 3A | 1640-904-016-00 | 47 24 | | 35 6 |
| 1608-901-003-10 | 44 5 | 1640-905-013-00 | 47 36B | 3664-276-001-00 | 24 7 |
| | 45 10 | 1640-905-016-00 | 47 39 | | 41 20 |
| 1608-901-004-00 | 44 8 | 2111-101-011-00 | 10 31 | | 42 25 |
| 1608-901-004-10 | 44 8A | 2137-223-004-00 | 10 22 | 3664-351-006-00 | 13 24A |
| | 45 6 | 2144-117-002-00 | 38 19A | 3666-202-005-00 | 27 2 |
| 1608-901-007-10 | 45 4 | 2500-901-027-00 | 44 7 | 3667-354-220-00 | 13 42 |
| 1608-904-001-00 | 47 2 | | 45 8 | 3667-354-230-00 | 13 43 |
| 1608-904-001-10 | 47 2A | | 46 4 | 3728-552-008-00 | 24 25 |
| 1608-904-006-00 | 47 4 | 2502-407-001-10 | 22 2A | 3737-113-005-00 | 10 6 |

1608-098-100-00

| PART CODE | FIG. KEY | PART CODE | FIG. KEY | PART CODE | FIG. KEY |
|-----------------|----------|-----------------|----------|-----------------|----------|
| 3737-122-001-00 | 23 16 | J061-247-055-00 | 4 10 | V210-360-601-20 | 23 23 |
| 3737-172-009-00 | 36 14 | J062-081-087-00 | 5 14 | V210-360-601-60 | 5 6 |
| 3737-172-010-00 | 41 11 | J062-104-111-00 | 10 30 | | 22 30 |
| | 42 16 | J910-000-200-00 | 44 6 | | 35 7 |
| | 43 8 | | 45 7 | V210-360-602-00 | 30 11 |
| 3737-172-011-00 | 1 5 | K182-032-000-00 | 13 27 | | 30 17 |
| | 30 18 | K182-032-002-00 | 13 28 | V211-260-801-60 | 5 4 |
| 3746-172-013-00 | 43 16 | K182-032-003-00 | 13 29 | | 6 11 |
| 3746-185-014-00 | 41 12 | K211-012-000-00 | 13 14 | | 7 10 |
| | 42 17 | K211-012-008-00 | 13 17 | | 10 16 |
| 3748-185-100-10 | 13 38 | K211-012-011-00 | 13 20 | | 13 5 |
| 3748-185-101-00 | 13 39 | K211-012-100-00 | 13 15 | | 19 3 |
| 3748-185-102-10 | 13 40 | V111-163-002-00 | 24 8 | | 27 6 |
| 3748-185-103-00 | 13 41 | | 41 17 | | 27 8 |
| | 13 44 | | 42 22 | | 35 9 |
| 3756-315-001-00 | 38 15 | V120-266-001-20 | 13 21 | V211-260-802-00 | 10 25 |
| 3768-185-022-10 | 13 26 | V120-366-001-60 | 35 17 | | 13 12 |
| 3908-170-020-00 | 37 6A | | 35 20 | | 15 20 |
| | 37 6A | | 41 14 | | 20 20 |
| | 39 13A | | 42 19 | | 24 13 |
| 4106-105-303-00 | 8 5 | V201-260-803-50 | 14 4 | | 25 6 |
| | 22 15 | V201-260-805-00 | 16 6 | | 25 11 |
| | 24 12 | | 24 22 | V211-260-802-50 | 1 15 |
| 4301-210-002-00 | 35 12 | V201-260-806-00 | 13 22 | | 34 21 |
| | 40 13 | V201-260-809-50 | 10 18 | | 46 9 |
| 4319-911-001-00 | 48 4 | V201-360-801-60 | 9 11A | V211-260-803-00 | 10 19 |
| 6213-200-002-10 | 5 1 | V201-460-802-00 | 9 11B | | 25 7 |
| 6219-755-001-00 | 5 3 | V201-460-804-50 | 9 3 | V211-260-804-00 | 10 20 |
| 7955-201-026-00 | 10 23 | V201-461-003-00 | 10 33 | V211-260-804-50 | 13 19 |
| 8523-202-241-00 | 21 7 | V203-461-002-00 | 1 3 | V211-261-002-00 | 5 24 |
| 8523-202-242-00 | 21 8 | | 6 20 | | 28 6 |
| 8592-011-204-00 | 9 9 | | 7 21 | | 31 2 |
| J061-114-024-00 | 10 28 | V203-461-002-50 | 18 4 | V211-261-002-50 | 20 7 |
| J061-209-011-00 | 5 19 | | 22 34 | | 22 28 |
| J061-210-012-00 | 5 11 | V210-260-601-20 | 9 14 | | 25 2 |
| | 5 15 | | 22 32 | | 26 2 |
| | 5 18 | | 23 6 | | 30 6 |
| | 5 21 | | 31 4 | V211-261-004-50 | 12 2 |
| | 5 27 | | 36 16 | V211-360-801-60 | 13 9 |
| J061-210-015-00 | 2 20 | V210-260-601-60 | 8 4 | | 16 18 |
| J061-211-013-00 | 5 12 | | 22 26 | | 30 19 |
| | 5 16 | | 40 10 | | 37 8 |
| | 5 22 | | 43 12 | | 37 8 |
| J061-232-040-00 | 2 12 | V210-260-602-00 | 13 13 | V211-360-802-00 | 2 8 |
| J061-238-046-00 | 2 13 | | 40 11 | | 2 19 |

| PART CODE | FIG. KEY | PART CODE | FIG. KEY | PART CODE | FIG. KEY | |
|--|----------|-----------------|-----------------|-----------------|-----------------|-------|
| V211-361-002-00 | 4 7 | V305-260-012-00 | 48 3 | V401-160-010-00 | 34 12 | |
| | 6 7 | V305-260-020-00 | 33 8 | | 36 20 | |
| | 7 6 | V327-262-110-00 | 23 11 | | 38 20 | |
| | 31 17 | | 23 19 | | 1 4 | |
| | 6 19 | V328-262-110-00 | 29 12 | | 6 21 | |
| V211-561-001-60 V211-561-002-00 | 7 20 | V328-262-112-00 | 29 23 | | 7 22 | |
| | 10 37 | | 30 14 | | 10 34 | |
| | 3 3 | | 29 8 | | 12 3 | |
| | 10 36 | | 29 29 | | 18 5 | |
| | 23 7 | | 31 19 | | 21 6 | |
| V211-561-002-50 V211-660-802-00 | 24 30 | V331-460-010-00 | 23 11A | V401-160-012-00 | 22 35 | |
| | 26 4 | | 23 19A | | 23 12A | |
| | 33 13 | V332-260-012-00 | 29 27 | | 23 20A | |
| | 33 15 | V334-260-010-00 | 29 18 | | 29 13 | |
| | 3 5 | V350-160-004-00 | 36 8 | | 29 30 | |
| V251-261-004-5C V271-160-602-50 V300-250-005-00 V301-260-006-00 | 10 7 | V350-160-006-00 | 35 15 | V401-250-005-00 | 31 21 | |
| | 4 4 | V360-260-006-00 | 5 7 | | 37 11 | |
| | 37 10 | | 43 13 | | 37 11 | |
| | 37 10 | V361-260-006-00 | 36 9 | | V411-260-003-00 | 24 10 |
| | 1 10 | V363-260-008-00 | 6 23 | | 41 19 | |
| | 6 6 | | 7 11 | V411-260-006-00 | 42 24 | |
| | 7 5 | | 13 23 | | 8 10 | |
| | 22 13 | | 19 8 | | 42 11 | |
| | 38 7 | | 24 15 | | V411-260-008-00 | 14 22 |
| | 42 10 | | 30 20 | | 15 6 | |
| V304-260-008-00 | 1 7 | V363-260-010-00 | 37 7 | | 15 16 | |
| | 7 16 | | 37 7 | | 16 7 | |
| | 14 5 | | 37 12 | | 16 12 | |
| | 16 8 | | 37 12 | | 20 9 | |
| | 20 13 | | 2 24 | | 22 10 | |
| | 24 24 | V401-160-003-00 | 33 3 | | 24 17 | |
| | 24 26 | | 24 9 | | 24 23 | |
| | 34 13 | | 41 18 | | 34 16 | |
| | 36 19 | | 42 23 | | 37 4A | |
| | 38 19 | | V401-160-006-00 | | 1 11 | 37 4A |
| V304-260-010-00 | 2 25 | | 15 3 | V411-260-010-00 | 39 3 | |
| | 8 7 | | 15 11 | | 39 12A | |
| | 12 4 | | 20 3 | | 2 26 | |
| | 14 11 | | 38 8 | | 6 22 | |
| | 15 8 | | 42 12 | | 7 23 | |
| V304-460-008-00 V304-460-010-00 V305-260-010-00 | 15 18 | V401-160-008-00 | 1 8 | | 8 8 | |
| | 16 11 | | 7 17 | | 14 8 | |
| | 9 12 | | 9 4 | | 16 14 | |
| | 21 5 | | 9 17 | | 17 2 | |
| | 38 16 | | 10 21 | | 20 21 | |

1608-098-100-00

| PART CODE | FIG. KEY | PART CODE | FIG. KEY | PART CODE | FIG. KEY |
|-----------------|----------|-----------------|----------|-----------------|----------|
| V411-260-012-00 | 20 25 | | 24 3 | V705-140-042-00 | 10 3 |
| | 22 16 | | 29 9 | | 10 10 |
| | 30 15 | | 29 31 | | 31 9 |
| | 38 12 | | 31 22 | | 31 14 |
| | 14 10 | | 33 5 | V705-140-047-00 | 22 24 |
| V411-260-014-00 | 14 13 | | 33 10 | V720-101-900-60 | 13 16 |
| | 14 18 | V500-163-003-00 | 15 13 | V720-102-401-50 | 23 2 |
| | 31 20 | | 34 3 | V720-102-401-80 | 13 2 |
| | 34 5 | V500-164-003-00 | 13 33 | | 13 11 |
| | 13 31 | V580-140-502-50 | 25 19 | V720-102-402-20 | 13 3 |
| V411-260-018-00 | 16 2 | V580-140-503-20 | 29 6 | V720-103-502-40 | 13 7 |
| | 33 4 | V580-140-602-50 | 14 2 | V720-103-502-60 | 13 8 |
| | 33 9 | V590-131-210-00 | 14 3 | V721-103-103-00 | 11 5 |
| | 34 9 | V590-131-222-00 | 9 18 | V721-103-104-50 | 10 15 |
| | 29 5 | V600-110-600-40 | 25 13 | | 11 6 |
| V411-260-020-00 | 15 12 | | 25 21 | V721-103-105-50 | 13 18 |
| V500-162-501-50 | 34 2 | | 31 12 | V740-120-350-80 | 10 14 |
| | 8 11 | V600-110-600-50 | 11 7 | V740-130-420-80 | 10 5 |
| | 24 18 | V600-110-600-70 | 25 22 | | 10 12 |
| | 39 5 | V600-110-620-40 | 11 10 | V742-120-420-60 | 31 10 |
| V500-162-502-00 | 23 13 | V600-110-620-50 | 11 11 | V744-120-350-70 | 10 14A |
| | 23 21 | V600-110-620-70 | 18 10 | | 25 5A |
| | 29 14 | V600-110-630-40 | 11 14 | V744-120-350-80 | 25 5 |
| | 29 25 | V600-110-630-50 | 11 13 | V744-130-420-80 | 10 4 |
| | 30 16 | V600-140-600-40 | 31 13 | | 10 11 |
| V500-163-001-50 | 14 23 | V600-150-600-50 | 22 22 | V744-135-550-80 | 25 9 |
| | 15 7 | V600-150-620-20 | 23 8 | V760-150-000-00 | 20 2 |
| | 15 17 | V600-150-620-30 | 29 20 | | 23 3 |
| | 16 13 | V600-150-620-50 | 32 5 | | 28 3 |
| | 20 10 | V653-430-403-00 | 10 2 | V762-150-000-00 | 15 2 |
| V500-163-002-00 | 22 11 | | 10 9 | | 15 10 |
| | 34 17 | V654-418-221-60 | 25 17 | | 28 4 |
| | 14 9 | V704-140-012-00 | 23 15 | V781-160-000-40 | 25 10 |
| | 14 14 | V704-140-015-00 | 22 3 | V999-200-003-00 | 21 3 |
| | 14 19 | | 22 6 | | 21 9 |
| | 16 15 | | 23 17 | | 32 3 |
| | 17 3 | | 24 20 | | |
| | 20 22 | V704-140-016-00 | 18 9 | | |
| | 20 26 | V704-140-017-00 | 19 5 | | |
| | 34 6 | V704-140-025-00 | 11 3 | | |
| V500-163-002-50 | 34 10 | | 22 23 | | |
| | 38 13 | V704-140-028-00 | 11 9 | | |
| | 13 32 | V705-140-020-00 | 9 10 | | |
| | 16 3 | V705-140-035-00 | 23 9 | | |
| | 22 17 | V705-140-040-00 | 29 21 | | |

ALPHABETICAL INDEX

CHASSIS

| DESCRIPTION | FIG. KEY | DESCRIPTION | FIG. KEY |
|----------------------|----------|-----------------------|----------|
| CLAMP, WIRE/32-40 | 2 12 | BAND, HARNESS | 42 16 |
| ADAPTER(90°)ORIFICE | 13 25 | BAND, HARNESS | 43 8 |
| ADAPTER(90°)PUMP | 13 26 | BAND, HOSE | 41 12 |
| ADAPTER, FILTER/A | 13 34 | BAND, HOSE | 42 17 |
| ADAPTER, FILTER/B | 13 35 | BAR, PTO | 22 25 |
| ADAPTER, HIGH PRESS | 13 36 | BAR, PTO COMP | 22 25A |
| ADAPTER, LOW PRESS | 10 32 | BAR, PTO COMP | 22 25B |
| ADAPTER, STRAIGHT | 10 22 | BATTERY ASSY | 7 1 |
| ADAPTER, FILTER/A | 13 34A | BATTERY | 6 1 |
| ARM/40 | 24 21 | BEARING, BALL THRUST | 29 4 |
| ARM, BRAKE | 19 7 | BEARING, NR/TA3030Z | 10 2 |
| ARM, BRAKE | 20 1 | BEARING, NR/TA3030Z | 10 9 |
| ARM, CONTROL ASSY | 34 7 | BEARING, RB/6004 | 25 13 |
| ARM, HOOK | 16 4 | BEARING, RB/6004 | 25 21 |
| ARM, HST/F COMP | 15 1 | BEARING, RB/6004 | 31 12 |
| ARM, HST/REVERSE | 15 9 | BEARING, RB/6004S | 31 13 |
| ARM, KNUCKLE/LH | 29 1 | BEARING, RB/6005 | 11 7 |
| ARM, KNUCKLE/RH | 29 2 | BEARING, RB/6005SS | 22 22 |
| ARM, LIFT | 34 1 | BEARING, RB/6007 | 25 22 |
| ARM, PEDAL | 20 5 | BEARING, RB/6202SS | 23 8 |
| ARM, TENTION | 23 14 | BEARING, RB/6203SS | 29 20 |
| ARM, BRAKE COMP | 20 1A | BEARING, RB/6204 | 11 10 |
| ARM, BRAKE COMP | 20 1B | BEARING, RB/6205 | 11 11 |
| ARM, CONTROL ASSY | 34 7A | BEARING, RB/6205SS | 32 5 |
| ARM, DRAG | 31 18 | BEARING, RB/6207 | 18 10 |
| ARM, DRAG COMP | 31 18A | BEARING, RB/6304 | 11 14 |
| ARM, HOOD | 36 17 | BEARING, RB/6305 | 11 13 |
| ARM, HOOD | 36 17A | BEARING, RB/7004 | 31 6 |
| ARM, HOOD | 36 17B | BEARING, RB/7202 | 31 7 |
| ARM, KNUCKLE/LH COMP | 29 1A | BELT, COG/VC031 | 23 24 |
| ARM, KNUCKLE/LH COMP | 29 1B | BELT/VB038 | 22 19 |
| ARM, KNUCKLE/LH COMP | 29 1C | BELT/VB038 | 22 19A |
| ARM, KNUCKLE/RH COMP | 29 2A | BOLT | 9 16 |
| ARM, KNUCKLE/RH COMP | 29 2B | BOLT (S)/M10X45 | 12 2 |
| ARM, KNUCKLE/RH COMP | 29 2C | BOLT (S)/N6X16 | 35 12 |
| ARM, PITMAN | 29 19 | BOLT (S)/N6X16 | 40 13 |
| ARM, PTO ASSY | 22 1 | BOLT, CONNECTER/PF1/2 | 13 4 |
| ARM, PTO ASSY | 22 1A | BOLT/M06X28 | 6 9 |
| ARM, PTO ASSY | 22 1B | BOLT(S) M10X25 | 20 7 |
| AXLE, FRONT | 28 1 | BOLT(S) M10X25 | 22 28 |
| AXLE, FRONT | 28 1A | BOLT(S) M10X25 | 25 2 |
| AXLE, FRONT ASSY | 28 1B | BOLT(S) M10X25 | 26 2 |
| BAND | 41 10 | BOLT(S) M10X25 | 30 6 |
| BAND | 42 15 | BOLT(S) M8X45 | 13 19 |
| BAND, HARNESS | 41 11 | BOLT(S) 7 | 10 37 |

CHASSIS

| DESCRIPTION | FIG. KEY | DESCRIPTION | FIG. KEY |
|-------------------|----------|----------------------|----------|
| BOLT, SET/M8X16 | 9 11 | BOLT, SEMS (S) | 25 11 |
| BOLT(SP) M8X20 | 2 8 | BOLT, SEMS (S) M8X16 | 5 4 |
| BOLT(SP) M8X20 | 2 19 | BOLT, SEMS (S) M8X16 | 6 11 |
| BOLT(SP) M8X20 | 4 7 | BOLT, SEMS (S) M8X16 | 7 10 |
| BOLT(SP) M8X20 | 6 7 | BOLT, SEMS (S) M8X16 | 10 16 |
| BOLT(SP) M8X20 | 7 6 | BOLT, SEMS (S) M8X16 | 13 5 |
| BOLT(SP) M8X20 | 31 17 | BOLT, SEMS (S) M8X16 | 19 3 |
| BOLT(SP)/M6X16 | 5 6 | BOLT, SEMS (S) M8X16 | 27 6 |
| BOLT(SP)/M6X16 | 22 30 | BOLT, SEMS (S) M8X16 | 27 8 |
| BOLT(SP)/M6X16 | 35 7 | BOLT, SEMS (S) M8X16 | 35 9 |
| BOLT, M10X1.25X25 | 18 4A | BOLT, STUD SEAL | 10 7 |
| BOLT, BATTERY | 6 5 | BOLT/8X20 | 3 5 |
| BOLT, BATTERY | 7 4 | BOLT/M 8X35 | 14 4 |
| BOLT, KMOB | 38 14 | BOLT/M 8X50 | 16 6 |
| BOLT, SEMS | 9 14 | BOLT/M 8X50 | 24 22 |
| BOLT, SEMS | 22 32 | BOLT/M 8X60 | 13 22 |
| BOLT, SEMS | 23 6 | BOLT/M06X28 | 7 8 |
| BOLT, SEMS | 31 4 | BOLT/M06X32 | 6 14 |
| BOLT, SEMS | 36 16 | BOLT/M06X32 | 7 14 |
| BOLT, SEMS | 23 23 | BOLT/M10X1.25X20 | 1 3 |
| BOLT, SEMS | 10 19 | BOLT/M10X1.25X20 | 6 20 |
| BOLT, SEMS | 25 7 | BOLT/M10X1.25X20 | 7 21 |
| BOLT, SEMS | 10 20 | BOLT/M10X20 | 3 3 |
| BOLT, SEMS | 5 24 | BOLT/M10X20 | 10 36 |
| BOLT, SEMS | 28 6 | BOLT/M10X20 | 23 7 |
| BOLT, SEMS | 31 2 | BOLT/M10X20 | 24 30 |
| BOLT, SEMS | 6 19 | BOLT/M10X20 | 26 4 |
| BOLT, SEMS | 7 20 | BOLT/M10X25 | 18 4 |
| BOLT, SEMS (S) | 8 4 | BOLT/M10X25 | 22 34 |
| BOLT, SEMS (S) | 22 26 | BOLT/M10X25 | 33 13 |
| BOLT, SEMS (S) | 40 10 | BOLT/M10X25 | 33 15 |
| BOLT, SEMS (S) | 43 12 | BOLT/M10X30 | 10 33 |
| BOLT, SEMS (SP) | 13 9 | BOLT/M6X25 | 4 4 |
| BOLT, SEMS (SP) | 16 18 | BOLT/M8X16 | 9 11A |
| BOLT, SEMS (SP) | 30 19 | BOLT/M8X20 | 9 11B |
| BOLT, SEMS (SP) | 37 8 | BOLT/M8X45 | 9 3 |
| BOLT, SEMS (SP) | 37 8 | BOLT/M8X95 | 10 18 |
| BOLT, SEMS (S) | 13 13 | BOLT/S | 1 15 |
| BOLT, SEMS (S) | 40 11 | BOLT/S | 34 21 |
| BOLT, SEMS (S) | 10 25 | BOLT/S | 46 9 |
| BOLT, SEMS (S) | 13 12 | BOLT/SP | 30 11 |
| BOLT, SEMS (S) | 15 20 | BOLT/SP | 30 17 |
| BOLT, SEMS (S) | 20 20 | BOOT | 38 5 |
| BOLT, SEMS (S) | 24 13 | BRACKET, ENGINE/LH | 1 1 |
| BOLT, SEMS (S) | 25 6 | BRACKET, ENGINE/RH | 1 2 |

CHASSIS

| DESCRIPTION | FIG. KEY | DESCRIPTION | FIG. KEY |
|---------------------|----------|-----------------------|----------|
| BRACKET, PTO | 22 27 | CASE, PTO/FRONT | 25 3 |
| BRACKET, PTO/F COMP | 22 27A | CASE, PTO/RAER | 25 8 |
| BRACKET, PTO/F COMP | 22 27B | CASE, STEERING | 31 1 |
| BRAKE ASSY | 19 9A | CASE, TRANSMISSION/LH | 10 1 |
| BREATHER, TANK CAP | 39 7 | CASE, TRANSMISSION/RH | 10 8 |
| BULB | 21 4 | CASE, DIFF | 18 1 |
| BULB | 21 10 | CASE, STEERING | 31 1A |
| BULB | 32 4 | CASE, TRANSMISSION/LH | 10 1A |
| BULB | 40 3 | CASE, TRANSMISSION/LH | 10 1B |
| BULB/12V21W | 43 4 | CASE, TRANSMISSION/LH | 10 8A |
| BUSH/12X14X20 | 25 4 | CHASSIS COMP | 27 1 |
| BUSH, BRUSH | 34 8 | CHASSIS COMP | 27 1A |
| BUSH, COLUMN | 30 9 | CHASSIS COMP | 27 1B |
| BUSH, SEAT | 38 10 | CHASSIS COMP | 27 1C |
| BUSH/10X12X10 | 30 2 | CHASSIS COMP | 27 1D |
| BUSH/15X17X10 | 22 2 | CHASSIS COMP | 27 1E |
| BUSH/15X17X11 | 22 2A | CHASSIS COMP | 27 1F |
| BUSH/15X17X16 | 34 8A | CLAMP, HARNESS | 2 9 |
| BUSH/25X28X25 | 28 2A | CLAMP, HARNESS | 3 4 |
| BUSH/25X28X30 | 28 2 | CLAMP, HARNESS | 1 5 |
| CABLE, AXLE ASSY | 8 1 | CLAMP, HARNESS | 30 18 |
| CABLE, BATTERY | 6 12 | CLAMP, SPEED | 38 21 |
| CABLE, BATTERY | 7 12 | CLAMP, WIRE/09-11 | 5 19 |
| CABLE, BATTERY ASSY | 6 12A | CLAMP, WIRE/10-12 | 5 11 |
| CABLE, BATTERY ASSY | 7 12A | CLAMP, WIRE/10-12 | 5 15 |
| CABLE, EARTH | 6 8 | CLAMP, WIRE/10-12 | 5 18 |
| CABLE, EARTH | 7 7 | CLAMP, WIRE/10-12 | 5 21 |
| CABLE, PTO | 22 9 | CLAMP, WIRE/10-12 | 5 27 |
| CABLE, PTO ASSY | 22 9A | CLAMP, WIRE/11-13 | 5 12 |
| CABLE, WIRE | 6 18 | CLAMP, WIRE/11-13 | 5 16 |
| CABLE, WIRE | 7 19 | CLAMP, WIRE/11-13 | 5 22 |
| CAP | 40 6 | CLAMP, WIRE/38-46 | 2 13 |
| CAP | 2 2 | CLAMP, WIRE/47-55 | 4 10 |
| CAP, BATTERY | 6 2 | CLAMP, WORM/14-24 | 10 28 |
| CAP, FUSE BOX | 41 5 | CLAMP/WIRE/10-15 | 2 20 |
| CAP, FUSE BOX | 42 5 | CLEANER, AIR ASSY | 4 1 |
| CAP, SHAFT(A)COMP | 22 31 | CLIP(B) | 39 17 |
| CAP, TANK | 39 6 | CLIP, HOSE/8. 1-8. 7 | 5 14 |
| CAP, TIRE VALVE | 21 3 | CLIP/HOSE/10. 4-11. 1 | 10 30 |
| CAP, TIRE VALVE | 21 9 | COLLAE/18X30X05 | 25 18 |
| CAP, TIRE VALVE | 32 3 | COLLAR/12X16X12 | 14 17 |
| CAP, WHEEL | 32 8 | COLLAR/21X35X02 | 25 14 |
| CAP, WHEEL | 32 8A | COLLAR, 26X32X14 | 32 7 |
| CARTRIDGE | 13 39 | COLLAR, WHEEL THRUST | 18 14 |
| CARTRIDGE ASSY | 13 43 | COLLAR, WHEEL THRUST | 18 18 |

CHASSIS

| DESCRIPTION | FIG. KEY | DESCRIPTION | FIG. KEY |
|-----------------------|----------|-----------------------|----------|
| COLLAR/21X25X08 | 31 15 | COVER, REAR | 27 3A |
| COLLAR/25X35X02 | 11 2 | COVER/44X10 | 29 3 |
| COLLAR/26X32X41 | 22 21 | COVER/PTO ASSY | 46 5 |
| COLLAR/26X32X53 | 32 6 | CUSHION, PEDAL/RUBBER | 1 9 |
| COLLAR/26X35X03 | 18 13 | CYLINDER ASSY | 13 27 |
| COLLAR/26X35X03 | 18 17 | DIODE/3.0A | 41 6 |
| COLLAR/31X38X06 | 29 22 | DIODE/3.0A | 42 6 |
| COLLAR/31X41X03 | 18 12 | DIODE/3.0A | 43 15 |
| COLLAR/31X41X03 | 18 16 | DRUM, BRAKE | 19 4 |
| COLUMN, STEERING ASSY | 30 8 | ELEMENT, PAPER | 4 2 |
| CONNECTOR | 2 16 | FAN, HST | 9 13 |
| COUPLER, SHORT | 41 4 | FENDER | 37 1 |
| COUPLER, SHORT | 42 4 | FENDER | 37 1 |
| COUPLER, SHORT | 41 7 | FENDER COMP | 37 1A |
| COUPLER, SHORT | 42 7 | FENDER COMP | 37 1A |
| COUPLING | 9 1 | FENDER COMP | 37 1B |
| COVER | 34 19 | FENDER COMP | 37 1B |
| COVER | 46 7 | FENDER COMP | 37 1C |
| COVER | 40 5 | FENDER COMP | 37 1C |
| COVER, BELT | 23 22 | FILTER ASSY | 13 38 |
| COVER, BRAKE | 19 1 | FILTER, FUEL | 5 1 |
| COVER, FILTER | 13 40 | FILTER, OIL ASSY | 13 42 |
| COVER, FRONT/MESH | 35 14 | FILTER, SUCTION HST | 13 6 |
| COVER, BODY | 13 17 | FLANGE, CONTROL | 31 16 |
| COVER, COUPLING | 9 2 | FUSE/32V03A | 41 2 |
| COVER, F/PTO COMP | 22 29A | FUSE/32V03A | 42 2 |
| COVER, F/PTO COMP | 22 29B | FUSE/32V10A | 41 3 |
| COVER, FRONT PTO | 22 29 | FUSE/32V10A | 42 3 |
| COVER, FRONT/C | 35 18 | GASKET | 39 8 |
| COVER, FRONT/C | 35 18A | GASKET, MUFFLER | 3 2 |
| COVER, FRONT/LH | 35 16 | GASKET, MUFFLER | 3 2A |
| COVER, FRONT/LH | 35 16A | GAUGE, FUEL | 39 9 |
| COVER, FRONT/RH | 35 19 | GEAR, HELICAL/T72 | 31 11 |
| COVER, FRONT/RH | 35 19A | GEAR, T12-40 | 11 12 |
| COVER, LOWER ASSY | 36 1A | GEAR, T16 | 25 15 |
| COVER, LOWER ASSY | 36 1B | GEAR, BEVEL/12 | 18 6 |
| COVER, LOWER COMP | 36 2A | GEAR, BEVEL/T12-45SET | 11 1 |
| COVER, LOWER COMP | 36 2B | GEAR, SUPER/15 | 11 8 |
| COVER, LOWER ASSY | 36 2 | GEAR, SUPER/15 | 11 8A |
| COVER, LOWER SET | 36 1 | GEAR/T40 | 18 2 |
| COVER, LOWER/LH | 36 3 | GRIP, B | 34 14 |
| COVER, LOWER/LH | 36 3A | GRIP, BRAKE | 20 24 |
| COVER, LOWER/LH | 36 3B | GROMMET | 30 7 |
| COVER, LOWER/RH | 36 4 | GROMMET | 37 2 |
| COVER, REAR | 27 3 | GROMMET | 37 2 |

CHASSIS

| DESCRIPTION | FIG. KEY | DESCRIPTION | FIG. KEY |
|----------------------|----------|-----------------------|----------|
| GROMMET | 6 16 | HOSE, AIR CLEANER | 4 8A |
| GROMMET | 7 18 | HOSE, FUEL MAIN ASSY | 5 8A |
| GROMMET | 41 9 | HOSE, RADIATOR/LW | 2 11 |
| GROMMET | 42 14 | HOSE, RADIATOR/UP | 2 10 |
| GROMMET/10X30X5 | 37 3 | HOSE, VINYL | 2 5 |
| GROMMET/10X30X5 | 37 3 | HOSE/ 06X12X115 | 5 20A |
| GROMMET/10X30X5 | 39 11 | HOSE/ 1300 | 5 9 |
| GROMMET/150 | 41 8 | HOSE/ 225 | 5 13A |
| GROMMET/150 | 42 13 | HOSE/ 320 | 10 29 |
| GUIDE/LH ENGINE | 1 12 | HOSE/ 350 ASSY | 5 17A |
| GUIDE/RH ENGINE | 1 13 | HOSE/ 360 | 10 26A |
| HANGER, SUPPORT | 35 8 | HOSE/ 370 | 10 26 |
| HARNESS HOUR METER | 43 14 | HOSE/06X10X365 ASSY | 5 17C |
| HARNESS, MAIN ASSY | 41 1 | HOSE/06X12X460 | 5 20 |
| HARNESS, BAND | 43 16 | HOSE/07X13X120 | 5 25 |
| HARNESS, JENERATOR | 42 8 | HOSE/2020 | 5 10 |
| HARNESS, MAIN ASSY | 41 1A | HOSE/210 | 2 15 |
| HARNESS, MAIN ASSY | 41 1B | HOSE/225 ASSY | 5 13B |
| HARNESS, MAIN ASSY | 41 1C | HOSE/270 | 2 14 |
| HARNESS, MAIN ASSY | 41 1D | HOSE/350 | 13 37A |
| HARNESS, MAIN ASSY | 41 1E | HOSE/350 ASSY | 5 17B |
| HARNESS, MAIN/S ASSY | 42 1 | HOUR METER ASSY | 43 10 |
| HARNESS, MAIN/S ASSY | 42 1A | HOUR METER SET | 43 9 |
| HARNESS, MAIN/S ASSY | 42 1B | HST ASSY | 12 1A |
| HEAD COVER | 43 6 | HST ASSY | 12 1 |
| HOLDER, FUEL FILTER | 5 3 | HUB, PTO FRONT | 28 5 |
| HOLDER, BATTERY | 6 4 | HUB, SEAL/INPUT | 11 4 |
| HOLDER, BATTERY | 7 3 | HUB, SEAL/INPUT | 11 4A |
| HOLDER, WIRE | 22 12 | HUB, SEAL/INPUT | 11 4B |
| HOLDER/SWITCH | 38 3 | HUB, SEAL/INPUT | 11 4C |
| HOLDER/SWITCH | 38 3A | HUB, STEERING COLUMN | 30 10 |
| HOOD, A | 35 1 | INSULATOR | 1 6 |
| HOOD, A COMP | 35 1A | INSULATOR/10X30X03 | 39 2 |
| HOOD, B | 36 15A | JOINT, HST/R COMP | 9 8 |
| HOOD, B | 36 15B | JOINT, UNIVERSAL ASSY | 9 6 |
| HOOD, B | 36 15 | JOINT, BALL | 29 28 |
| HOOK, RADIATOR PANEL | 2 23 | JOINT, BALL/LH | 29 10 |
| HOSE ASSY | 13 24A | JOINT, BALL/RH | 29 11 |
| HOSE/100 | 5 13 | JOINT, COUPLING COMP | 9 15 |
| HOSE/2020 | 5 10A | JOINT, HST/F COMP | 9 7 |
| HOSE/350 | 5 17 | JOINT, HST/F COMP | 9 7A |
| HOSE/450 | 13 37 | JOINT, HST/R COMP | 9 8A |
| HOSE/530 | 13 24 | JOINT/UNIVERSAL ASSY | 9 6A |
| HOSE, FUEL/MAIN ASSY | 5 8 | JOINT/UNIVERSAL ASSY | 9 6B |
| HOSE, AIR CLEANER | 4 8 | JOINT-TYPE | 5 26 |

CHASSIS

| DESCRIPTION | FIG. KEY | DESCRIPTION | FIG. KEY |
|-------------------------|----------|----------------------|----------|
| JOURNAL KIT | 9 9 | LABEL, NOISSE/LAP/90 | 46 3 |
| KEY ASSY | 40 8 | LABEL, OPERATION | 47 26 |
| KNOB | 8 5 | LABEL, OPERATION | 47 26A |
| KNOB | 22 15 | LABEL, OPERATION/D | 47 2A |
| KNOB | 24 12 | LABEL, OPERATION/E | 47 18A |
| KNOB, SET/12 | 27 4 | LABEL, OPERATION/F | 47 10A |
| LABEL | 45 5 | LABEL, OPERATION/I | 47 32 |
| LABEL | 47 7 | LABEL, OPERATION/I | 47 32A |
| LABEL | 47 15 | LABEL, PARKING | 47 27 |
| LABEL | 47 23 | LABEL, PARKING/D | 47 3 |
| LABEL, LIFT | 44 5 | LABEL, PARKING/E | 47 19 |
| LABEL, LIFT | 45 10 | LABEL, PARKING/F | 47 11 |
| LABEL, FUSE/D | 47 4 | LABEL, PARKING/I | 47 34 |
| LABEL, FUSE/E | 47 20 | LABEL, PTO | 25 25 |
| LABEL, FUSE/F | 47 12 | LABEL, PTO CAUTION | 47 29 |
| LABEL, OPERATION/D | 47 2 | LABEL, PTO CAUTION/E | 47 21 |
| LABEL, OPERATION/E | 47 18 | LABEL, PTO CAUTION/F | 47 13 |
| LABEL, OPERATION/F | 47 10 | LABEL, PTO CAUTION/I | 47 38 |
| LABEL, CAUTION | 45 12 | LABEL, RADIATOR/D | 47 5 |
| LABEL, CAUTION | 47 25 | LABEL, SWITCH | 43 7 |
| LABEL, CAUTION/BATTERY | 47 39 | LABEL, W/RADIATOR | 47 15B |
| LABEL, CAUTION/D | 47 1 | LABEL, W/RADIATOR | 47 7B |
| LABEL, CAUTION/E | 47 17 | LABEL, W/RADIATOR | 47 23B |
| LABEL, CAUTION/F | 47 9 | LABEL, CE | 44 7 |
| LABEL, CAUTION/I | 47 33 | LABEL, CE | 46 4 |
| LABEL, CAUTION/RADIATOR | 47 7A | LABEL, MENTENANSS | 46 2 |
| LABEL, CAUTION/RADIATOR | 47 15A | LABEL, MODEL ASSY | 44 6 |
| LABEL, CAUTION/RADIATOR | 47 23A | LABEL, MODEL ASSY | 45 7 |
| LABEL, CAUTION/RADIATOR | 47 30 | LABEL, NOISSE/LAP/90 | 45 9 |
| LABEL, CAUTION/RADIATOR | 47 30A | LABEL, SG SET | 46 1 |
| LABEL, CAUTION/RADIATOR | 47 36 | LAMP, MONITOR | 40 2 |
| LABEL, CAUTION/RADIATOR | 47 36A | LAMP, HEAD ASSY | 43 2 |
| LABEL, CAUTION/RADIATOR | 47 36B | LAMP, HEAD SET | 43 1 |
| LABEL, CE | 45 8 | LEAD COMP | 43 3 |
| LABEL, COUSION | 44 11 | LENS | 40 12 |
| LABEL, D/BATTERY | 47 16 | LEVER COMP | 17 1 |
| LABEL, D/BATTERY | 47 8 | LEVER, PTO | 24 1 |
| LABEL, D/BATTERY | 47 24 | LEVER, HST LIFT | 34 11 |
| LABEL, FUEL/D | 47 6 | LEVER, AXLE | 8 2 |
| LABEL, FUEL/I | 47 35 | LEVER, PTO | 22 14 |
| LABEL, FUSE | 47 28 | LIFT/270 | 33 11 |
| LABEL, FUSE/I | 47 37 | LIFT/270 COMP | 33 11A |
| LABEL, MENTENANSS | 45 11 | LIFT/270 COMP | 33 11B |
| LABEL, MENTANSS | 44 10 | LINING/50 | 17 5 |
| LABEL, NOISS/LPA/90 | 44 9 | LINING/13X50X03 | 8 9 |

| DESCRIPTION | FIG. KEY | DESCRIPTION | FIG. KEY |
|-----------------------|----------|---------------|----------|
| LINK | 33 1 | NUT, LOCK/M8 | 7 11 |
| LINK COMP | 33 1A | NUT, LOCK/M8 | 13 23 |
| LINK COMP | 33 1B | NUT, LOCK/M8 | 19 8 |
| LINK COMP | 33 1C | NUT, LOCK/M8 | 24 15 |
| LINK, FUSIBLE | 42 9 | NUT, LOCK/M8 | 30 20 |
| LINK, FUSIBLE | 6 13 | NUT, LOCK/M8 | 37 7 |
| LINK, FUSIBLE | 7 13 | NUT, LOCK/M8 | 37 7 |
| LINK/A | 33 6 | NUT, LOCK/M8 | 37 12 |
| LOCK, NEUTRAL | 14 12 | NUT, LOCK/M8 | 37 12 |
| MAIN HARNESS CLAMP | 36 14 | NUT, SPEED/P4 | 36 8 |
| MARK, FUEL | 47 31 | NUT, SPEED/P6 | 35 15 |
| MARK, FUEL | 47 22 | NUT/M 6 | 1 10 |
| MARK, FUEL/FR | 47 14 | NUT/M 6 | 6 6 |
| MAT/LH | 39 15 | NUT/M 6 | 7 5 |
| MAT/RH | 39 16 | NUT/M 6 | 22 13 |
| MAT/RH | 39 16A | NUT/M 6 | 38 7 |
| METAL, REAR PTO | 23 4 | NUT/M 6 | 42 10 |
| METAL, BRAKE | 10 13 | NUT/M 8 | 1 7 |
| METAL, LFTARM/R COMP | 33 14 | NUT/M 8 | 7 16 |
| METAL, LIFTARM | 33 12 | NUT/M 8 | 14 5 |
| METAL, REAR PTO | 23 4A | NUT/M 8 | 16 8 |
| MUFFLER | 3 1 | NUT/M 8 | 20 13 |
| NEEDLE, GAGE | 25 17 | NUT/M 8 | 24 24 |
| NET, LOWER COVER/LH | 36 6 | NUT/M 8 | 24 26 |
| NET, LOWER COVER/RH | 36 7 | NUT/M 8 | 34 13 |
| NET, REAR LOWER COVER | 36 5 | NUT/M 8 | 36 19 |
| NET/100X388 | 35 10 | NUT/M06 | 7 9 |
| NIPPLE, GREASE | 20 2 | NUT/M06 | 6 15 |
| NIPPLE, GREASE | 23 3 | NUT/M06 | 7 15 |
| NIPPLE, GREASE | 28 3 | NUT/M10 | 29 17 |
| NIPPLE, GREASE/B-M6F | 15 2 | NUT/M10 | 21 5 |
| NIPPLE, GREASE/B-M6F | 15 10 | NUT/M10 | 38 16 |
| NIPPLE, GREASE/B-M6F | 28 4 | NUT/M10 | 23 11A |
| NUT | 38 6 | NUT/M10 | 23 19A |
| NUT | 37 10 | NUT/M10 | 29 18 |
| NUT | 2 25 | NUT/M10 | 2 24 |
| NUT | 8 7 | NUT/M10 | 33 3 |
| NUT | 12 4 | NUT/M10X1.25 | 23 11 |
| NUT | 14 11 | NUT/M10X1.25 | 23 19 |
| NUT | 15 8 | NUT/M10X1.25 | 29 12 |
| NUT | 15 18 | NUT/M10X1.25 | 29 23 |
| NUT | 16 11 | NUT/M10X1.25 | 30 14 |
| NUT | 36 9 | NUT/M12 | 48 3 |
| NUT | 6 23 | NUT/M12 | 29 27 |
| NUT/M06 | 6 10 | NUT/M12X1.25 | 29 8 |

CHASSIS

| DESCRIPTION | FIG. KEY | DESCRIPTION | FIG. KEY |
|-----------------------|----------|-----------------------|----------|
| NUT/M12X1. 25 | 29 29 | PANEL, INSTRUMENT | 40 9 |
| NUT/M12X1. 25 | 31 19 | PANEL, INSTRUMENT | 40 9A |
| NUT/M20 | 33 8 | PANEL, INSTRUMENT SET | 40 1 |
| NUT/M5 | 37 10 | PANEL, RADIATOR | 2 21 |
| NUT/M6 | 5 7 | PANEL, RADIATOR | 2 21A |
| NUT/M6 | 43 13 | PEDAL, HST | 15 19 |
| NUT/M8 | 20 14 | PIN, 08X26 | 34 15 |
| NUT/M8 | 38 19 | PIN, 10X18 | 18 3 |
| NUT/M8 | 9 12 | PIN, 10X70 | 16 16 |
| O-RING/G30 | 11 5 | PIN, 14X54 | 13 30 |
| O-RING/G45 | 10 15 | PIN, 18X52 | 25 16 |
| O-RING/G45 | 11 6 | PIN, NEUTRAL | 14 6 |
| O-RING/G55 | 13 18 | PIN, DIFF PINION | 18 8 |
| O-RING/P 6 | 13 16 | PIN, HAIR | 37 6 |
| O-RING/P15 | 23 2 | PIN, HAIR | 37 6 |
| O-RING/P18 | 13 2 | PIN, HAIR | 39 13 |
| O-RING/P18 | 13 11 | PIN, KNOCK | 10 6 |
| O-RING/P22 | 13 3 | PIN, PTO | 25 24 |
| O-RING/P24 | 13 7 | PIN, SPLIT/2. 5X15 | 8 11 |
| O-RING/P26 | 13 8 | PIN, SPLIT/2. 5X15 | 24 18 |
| ORNAMENT/15 | 44 3 | PIN, SPLIT/2. 5X15 | 39 5 |
| ORNAMENT, HYDRAULIC | 44 8 | PIN, SPLIT/2. 5X20 | 23 13 |
| ORNAMENT/15 | 44 3A | PIN, SPLIT/2. 5X20 | 23 21 |
| ORNAMENT/15S | 45 4 | PIN, SPLIT/2. 5X20 | 29 14 |
| ORNAMENT/F | 44 4 | PIN, SPLIT/2. 5X20 | 29 25 |
| ORNAMENT/F | 45 3 | PIN, SPLIT/2. 5X20 | 30 16 |
| ORNAMENT/F | 44 4A | PIN, SPLIT/3 X15 | 14 23 |
| ORNAMENT/F | 45 3A | PIN, SPLIT/3 X15 | 15 7 |
| ORNAMENT/HYDRAULIC | 44 8A | PIN, SPLIT/3 X15 | 15 17 |
| ORNAMENT/HYDRAULIC | 45 6 | PIN, SPLIT/3 X15 | 16 13 |
| ORNAMENT/LH | 44 1 | PIN, SPLIT/3 X15 | 20 10 |
| ORNAMENT/LH | 45 1 | PIN, SPLIT/3 X15 | 22 11 |
| ORNAMENT/RH | 44 2 | PIN, SPLIT/3 X15 | 34 17 |
| ORNAMENT/RH | 45 2 | PIN, SPLIT/3 X20 | 14 9 |
| PACKING | 2 18 | PIN, SPLIT/3 X20 | 14 14 |
| PACKING | 4 3 | PIN, SPLIT/3 X20 | 14 19 |
| PACKING | 4 5 | PIN, SPLIT/3 X20 | 16 15 |
| PACKING, ROD | 13 28 | PIN, SPLIT/3 X20 | 17 3 |
| PACKING, RUBBER | 13 41 | PIN, SPLIT/3 X20 | 20 22 |
| PACKING, RUBBER | 13 44 | PIN, SPLIT/3 X20 | 20 26 |
| PAD | 20 6 | PIN, SPLIT/3 X20 | 34 6 |
| PAD, HST | 15 21 | PIN, SPLIT/3 X20 | 34 10 |
| PAD, STEERING WHEEL | 30 13 | PIN, SPLIT/3 X20 | 38 13 |
| PAD/50 | 27 2 | PIN, SPLIT/3 X25 | 13 32 |
| PANEL, INSTRUMENT SET | 40 1A | PIN, SPLIT/3 X25 | 16 3 |

| DESCRIPTION | FIG. KEY | DESCRIPTION | FIG. KEY |
|-----------------------|----------|-----------------------|----------|
| PIN, SPLIT/3 X25 | 22 17 | PLATE, FENDER/RH | 27 7 |
| PIN, SPLIT/3 X25 | 24 3 | PLATE, FILLER COMP | 10 24 |
| PIN, SPLIT/3 X25 | 29 9 | PLATE, I/19X85 COMP | 5 2 |
| PIN, SPLIT/3 X25 | 29 31 | PLATE, I/22X240 | 34 20 |
| PIN, SPLIT/3 X25 | 31 22 | PLATE, I/22X240 | 46 8 |
| PIN, SPLIT/3 X25 | 33 5 | PLATE, I/22X475 | 34 18 |
| PIN, SPLIT/3 X25 | 33 10 | PLATE, I/22X475 | 46 6 |
| PIN, SPLIT/3 X30 | 15 13 | PLATE, I/25X486 COMP | 34 4A |
| PIN, SPLIT/3 X30 | 34 3 | PLATE, L/15X55 | 43 11 |
| PIN, SPLIT/4 X30 | 13 33 | PLATE, LOCK | 20 19 |
| PIN, SPRING/5 X25 W | 25 19 | PLATE, LOCK | 20 19A |
| PIN, SPRING/5 X32 W | 29 6 | PLATE, STEERING | 31 3 |
| PIN, SPRING/6 X25 W | 14 2 | PLATE, STOPPER | 9 5 |
| PIN/10X382 | 38 11 | PLATE, TRANION COMP | 14 1 |
| PIN/15X108 | 33 2 | PLATE, TRANION COMP | 14 1A |
| PIN/15X32 | 33 7 | PLATE/170X215 | 25 1 |
| PIN/15X47 | 19 6 | PLATE/170X215 | 26 1 |
| PIN/8X36 | 37 5 | PLATE/CASE | 10 35A |
| PIN/8X36 | 37 5 | PLATE/IRX13X35 | 24 7 |
| PIN/8X36 | 39 14 | PLATE/IRX13X35 | 41 20 |
| PINION, BEVEL/11 | 18 7 | PLATE/IRX13X35 | 42 25 |
| PIPE, BUST COMP | 13 10 | PLATE/U/90X402 | 26 3 |
| PIPE, BUST COMP | 13 10A | PLUG | 2 17 |
| PIPE, SUCTION COMP | 13 1 | PLUG | 25 10 |
| PIPE, SUCTION COMP | 13 1A | PLUG, DRAIN (1/4) | 10 23 |
| PLATE | 13 20 | PLUG, OIL | 10 31 |
| PLATE, BRAKE LOCK | 20 17 | POST, STEERING ASSY | 30 1 |
| PLATE, CASE | 10 35 | POST, STEERING ASSY | 30 1A |
| PLATE, FUEL PUMP | 5 23A | POST, STEERING ASSY | 30 1B |
| PLATE, FUEL PUMP COMP | 5 23 | PROTECTOR, EDGE | 6 17 |
| PLATE, HOOK COMP | 14 16 | PROTECTOR, FRONT | 2 4 |
| PLATE, I/20X122 | 16 17 | PULLEY/VC100 | 23 10 |
| PLATE, I/22X134COMP | 14 21 | PULLEY/VC135 | 23 18 |
| PLATE, I/25X486 COMP | 34 4 | PULLEY, TENSION | 23 16 |
| PLATE, L/16X101 | 23 5 | PULLEY, TENSION/70X47 | 22 5 |
| PLATE, L/22X100 | 15 5 | PULLEY, TENSION/80X47 | 22 5A |
| PLATE, L/22X100 | 15 15 | PULLEY, V/2B105 | 22 33 |
| PLATE, L/32X178 | 16 10 | PULLEY, V/2B173 | 22 18 |
| PLATE, PARKING COMP | 20 23 | PULLEY, V/2B173 | 22 18A |
| PLATE, RETURN | 24 28 | PULLEY/ VC100 | 23 10A |
| PLATE, UX27X71 | 19 2 | PUMP, FUEL | 5 5 |
| PLATE, AXLE | 8 3 | RADIATOR ASSY | 2 1A |
| PLATE, BATTERY | 6 3 | RADIATOR ASSY | 2 1 |
| PLATE, BATTERY | 7 2 | REFLECTOR ASSY | 37 9A |
| PLATE, FENDER/LH | 27 5 | REFLECTOR ASSY | 37 9A |

CHASSIS

| DESCRIPTION | FIG. KEY | DESCRIPTION | FIG. KEY |
|-------------------|----------|-----------------------|----------|
| REFLECTOR ASSY | 37 9 | SCREW | 35 17 |
| REFLECTOR ASSY | 37 9 | SCREW | 35 20 |
| RELAY/4P | 41 13 | SCREW | 41 14 |
| RELAY/4P | 42 18 | SCREW | 42 19 |
| RIM, WHEEL | 21 1 | SCREW M3X20 | 24 8 |
| RIM, WHEEL FRONT | 32 2 | SCREW M3X20 | 41 17 |
| RING, CIRCLIP | 23 9 | SCREW M3X20 | 42 22 |
| RING, NAT | 40 7 | SCREW/M6X20 | 36 11 |
| RING, PTO | 25 23 | SCREW/M6X25 | 36 12 |
| RING, SNAP | 11 9 | SCREW/M8X11 | 36 18 |
| RING, SNAP/12 C | 23 15 | SEAL | 13 29 |
| RING, SNAP/15 C | 22 3 | SEAL/10X05X130 | 2 22 |
| RING, SNAP/15 C | 22 6 | SEAL/10X05X27 | 2 7 |
| RING, SNAP/15 C | 23 17 | SEAL/10X10X340 | 2 6 |
| RING, SNAP/15 C | 24 20 | SEAL/20X10X130 | 35 4 |
| RING, SNAP/16 C | 18 9 | SEAL, CLEANER | 4 9 |
| RING, SNAP/17 C | 19 5 | SEAL, OIL | 10 5 |
| RING, SNAP/20 C | 9 10 | SEAL, OIL | 10 12 |
| RING, SNAP/25 C | 11 3 | SEAL, OIL | 10 14A |
| RING, SNAP/25 C | 22 23 | SEAL, OIL | 25 5A |
| RING, SNAP/40 C | 29 21 | SEAL, OIL/SC20358 | 10 14 |
| RING, SNAP/42 C | 10 3 | SEAL, OIL/TC20358 | 25 5 |
| RING, SNAP/42 C | 10 10 | SEAL, OIL/TC30428 | 10 4 |
| RING, SNAP/42 C | 31 9 | SEAL, OIL/TC30428 | 10 11 |
| RING, SNAP/42 C | 31 14 | SEAL, OIL/TC35558 | 25 9 |
| RING, SNAP/47 C | 22 24 | SEAL, OIL/VC20426 | 31 10 |
| RINING/50 | 35 6 | SEAL/15X20X120 | 30 3 |
| ROD, DRAG | 29 26 | SEAL/15X20X170 | 36 10 |
| ROD, HST/F COMP | 15 4 | SEAL/20X10X690 | 35 2 |
| ROD, HST/REVERSE | 15 14 | SEAL/20X15X530 | 30 4 |
| ROD/M08X160 | 20 8 | SEAL/30X30X50 | 30 5 |
| ROD/M10X85 | 16 9 | SEAT | 38 1 |
| ROD, NEUTRAL | 14 7 | SEAT ASSY | 38 1A |
| ROD, REAR PTO | 24 16 | SEAT ASSY | 38 2 |
| ROD, DRAG | 29 26A | SEAT ASSY | 38 2A |
| ROD/ M08X260 | 20 11 | SEAT ASSY | 38 2B |
| ROD/D=8. 90-8. 94 | 29 15 | SEAT ASSY | 46 10 |
| ROD/D=8. 90-8. 94 | 29 16 | SEAT ASSY | 38 1B |
| ROD/M08X250 | 20 11A | SHAFT COMP | 24 19A |
| ROD/M10X193 | 29 16A | SHAFT COMP | 24 19 |
| RUBBER, CUSHION/A | 38 10A | SHAFT, HOOK | 16 1 |
| S. W | 38 20 | SHAFT, JOINT/PTO | 23 1 |
| S. W | 37 11 | SHAFT, PTO COMP | 25 20 |
| S. W | 37 11 | SHAFT, INPUT/PTO COMP | 25 12 |
| SCREW | 13 21 | SHAFT, INPUT/PTO COMP | 25 12A |

CHASSIS

| DESCRIPTION | FIG. KEY | DESCRIPTION | FIG. KEY |
|-----------------------|----------|-----------------------|----------|
| SHAFT, INPUT/PTO COMP | 25 12B | STAY, SEAT COMP | 38 9D |
| SHAFT, JOINT/PTO COMP | 23 1A | STEP | 39 10 |
| SHAFT, JOINT/PTO COMP | 23 1B | STEP COMP | 39 10A |
| SHAFT, PTO | 22 20 | STOPPER | 1 14 |
| SHAFT, PTO/F | 22 20A | STOPPER | 16 5 |
| SHAFT, STEERING | 31 5 | SWITCH, STARTER ASSY | 40 4 |
| SHAFT, WHEEL/LH COMP | 18 11 | SWITCH, HEAD LAMP | 43 5 |
| SHAFT, WHEEL/RH COMP | 18 15 | SWITCH, MERIT | 24 6 |
| SHIM, BRAKE METAL | 10 17 | SWITCH, MERIT | 41 16 |
| SHOE, BRAKE | 19 9 | SWITCH, MERIT | 42 21 |
| SHROUD, FAN | 2 3 | SWITCH, PUSH | 41 15 |
| SNAP, PIN/8 | 37 6A | SWITCH, PUSH | 42 20 |
| SNAP, PIN/8 | 37 6A | SWITCH, SEAT ASSY | 38 4A |
| SNAP, PIN/8 | 39 13A | SWITCH, SEAT ASSY | 38 4 |
| SPANNER/L-TYPE | 48 4 | TANK, FUEL | 39 1 |
| SPRING | 20 15 | TIRE, TURF | 21 2 |
| SPRING | 24 27 | TIRE, TURF/16-8 | 32 1 |
| SPRING, HC135 | 10 27 | TIRE/23-12 | 21 7 |
| SPRING, HE085 | 14 15 | TRIGGER, TENSION | 24 25 |
| SPRING, HT035 | 20 4 | TRIM/1X06X340 | 35 5 |
| SPRING, BRAKE SHOE | 19 10 | TRIM/1X06X340 | 35 11 |
| SPRING, DISK | 8 6 | TRIM/1X06X570 | 35 3 |
| SPRING, ROD COVER | 14 20 | TRIM/1X1X570 | 35 3B |
| SPRING, TENSION/46 | 24 29 | TRIM/1X1X590 | 35 3A |
| SPRING, TENSION/86 | 17 4 | TRIM/1X6X360 | 35 5A |
| SPRING, TENSION/86 | 20 16 | TRIM/1X6X360 | 35 13 |
| SPRING/HE014 | 22 7A | TUBE/23-12 | 21 8 |
| SPRING/HCO58 | 38 17 | TURNBUCKLE/M8 | 20 12 |
| SPRING/HE014 | 22 7 | U NUT | 38 19A |
| SPRING/HE083 | 22 8 | UEUT/15 SET | 48 1 |
| SPRING/HT013 | 20 18 | VALVE | 4 6 |
| SPRING/HT013 | 20 27 | VALVE SET | 13 15 |
| STAY, LEVER/A | 24 4 | VALVE, CONTROL ASSY | 13 14 |
| STAY, LEVER/B | 24 14 | WASHER | 24 2 |
| STAY, FENDER/LH COMP | 27 5A | WASHER | 38 15A |
| STAY, FENDER/RH COMP | 27 7A | WASHER | 29 5 |
| STAY, LEVER ASSY | 24 4B | WASHER / M6 | 8 10 |
| STAY, LEVER COMP | 24 4A | WASHER / M6 | 42 11 |
| STAY, LEVER COMP | 24 11 | WASHER /M12 | 14 10 |
| STAY, LEVER COMP | 24 5 | WASHER /M12 | 14 13 |
| STAY, LEVER COMP | 24 11A | WASHER /M12 | 14 18 |
| STAY, SEAT | 38 9 | WASHER /M12 | 31 20 |
| STAY, SEAT COMP | 38 9A | WASHER /M12 | 34 5 |
| STAY, SEAT COMP | 38 9B | WASHER, BINDING SHAFT | 39 4 |
| STAY, SEAT COMP | 38 9C | WASHER, PL/M 8 | 14 22 |

CHASSIS

| DESCRIPTION | FIG. KEY | DESCRIPTION | FIG. KEY |
|----------------|----------|----------------------|----------|
| WASHER, PL/M 8 | 15 6 | WASHER, SP/M10 | 29 13 |
| WASHER, PL/M 8 | 15 16 | WASHER, SP/M12 | 29 30 |
| WASHER, PL/M 8 | 16 7 | WASHER, SP/M12 | 31 21 |
| WASHER, PL/M 8 | 16 12 | WASHER, TENSION | 38 15 |
| WASHER, PL/M 8 | 20 9 | WASHER/06X16X01 | 36 13 |
| WASHER, PL/M 8 | 22 10 | WASHER/10X20X2 | 23 12 |
| WASHER, PL/M 8 | 24 17 | WASHER/10X20X2 | 23 20 |
| WASHER, PL/M 8 | 24 23 | WASHER/11X22X3 | 29 24 |
| WASHER, PL/M 8 | 34 16 | WASHER/11X35X02 | 38 15B |
| WASHER, PL/M 8 | 37 4A | WASHER/15X24X2 | 22 4 |
| WASHER, PL/M 8 | 37 4A | WASHER/31X42X1 | 31 8 |
| WASHER, PL/M 8 | 39 3 | WASHER/6X14X3 | 40 14 |
| WASHER, PL/M 8 | 39 12A | WASHER/9X32X2 | 37 4 |
| WASHER, PL/M14 | 13 31 | WASHER/9X32X2 | 37 4 |
| WASHER, PL/M14 | 16 2 | WASHER/9X32X2 | 38 18 |
| WASHER, PL/M14 | 33 4 | WASHER/9X32X2 | 39 12 |
| WASHER, PL/M14 | 33 9 | WASHER/M10 | 2 26 |
| WASHER, PL/M14 | 34 9 | WASHER/M10 | 6 22 |
| WASHER, PULLEY | 29 7 | WASHER/M10 | 7 23 |
| WASHER, SP/M 3 | 24 9 | WASHER/M10 | 8 8 |
| WASHER, SP/M 3 | 41 18 | WASHER/M10 | 14 8 |
| WASHER, SP/M 3 | 42 23 | WASHER/M10 | 16 14 |
| WASHER, SP/M 6 | 1 11 | WASHER/M10 | 17 2 |
| WASHER, SP/M 6 | 15 3 | WASHER/M10 | 20 21 |
| WASHER, SP/M 6 | 15 11 | WASHER/M10 | 20 25 |
| WASHER, SP/M 6 | 20 3 | WASHER/M10 | 22 16 |
| WASHER, SP/M 6 | 38 8 | WASHER/M10 | 30 15 |
| WASHER, SP/M 6 | 42 12 | WASHER/M10 | 38 12 |
| WASHER, SP/M 8 | 1 8 | WASHER/M20 | 15 12 |
| WASHER, SP/M 8 | 7 17 | WASHER/M20 | 34 2 |
| WASHER, SP/M 8 | 9 4 | WASHER/M3 | 24 10 |
| WASHER, SP/M 8 | 9 17 | WASHER/M3 | 41 19 |
| WASHER, SP/M 8 | 10 21 | WASHER/M3 | 42 24 |
| WASHER, SP/M 8 | 34 12 | WHEEL, STEERING ASSY | 30 12 |
| WASHER, SP/M 8 | 36 20 | WIRE/1. 2X100 | 14 3 |
| WASHER, SP/M10 | 1 4 | WIRE/1. 2X220 | 9 18 |
| WASHER, SP/M10 | 6 21 | | |
| WASHER, SP/M10 | 7 22 | | |
| WASHER, SP/M10 | 10 34 | | |
| WASHER, SP/M10 | 12 3 | | |
| WASHER, SP/M10 | 18 5 | | |
| WASHER, SP/M10 | 21 6 | | |
| WASHER, SP/M10 | 22 35 | | |
| WASHER, SP/M10 | 23 12A | | |
| WASHER, SP/M10 | 23 20A | | |