

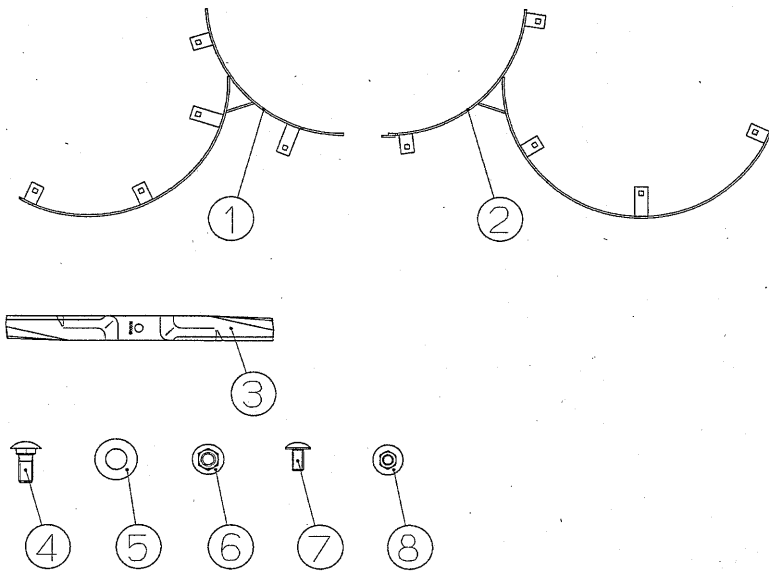
Installation instruction for mulching box

Total pages: 2

1. Parts List

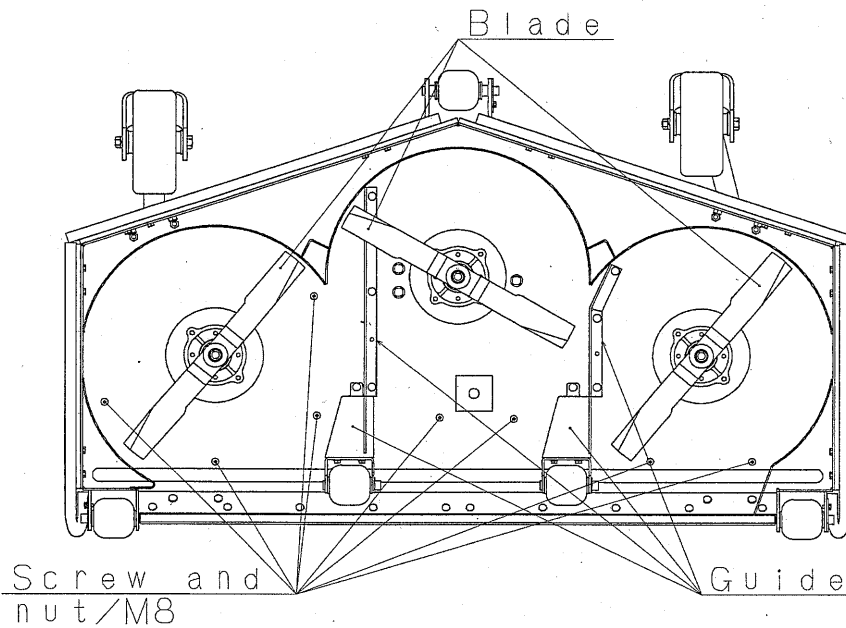
Ref	Parts name	Q'ty
1	GUIDE/LH COMP	1
2	GUIDE/RH COMP	1
3	BLADE/60X630/M	3
4	BOLT	10
5	WASHER	10
6	NUT/M10	10
7	SCREW	3
8	NUT/M8	3

NOTE: Make sure that the all parts are available.



2. Procedure of installation

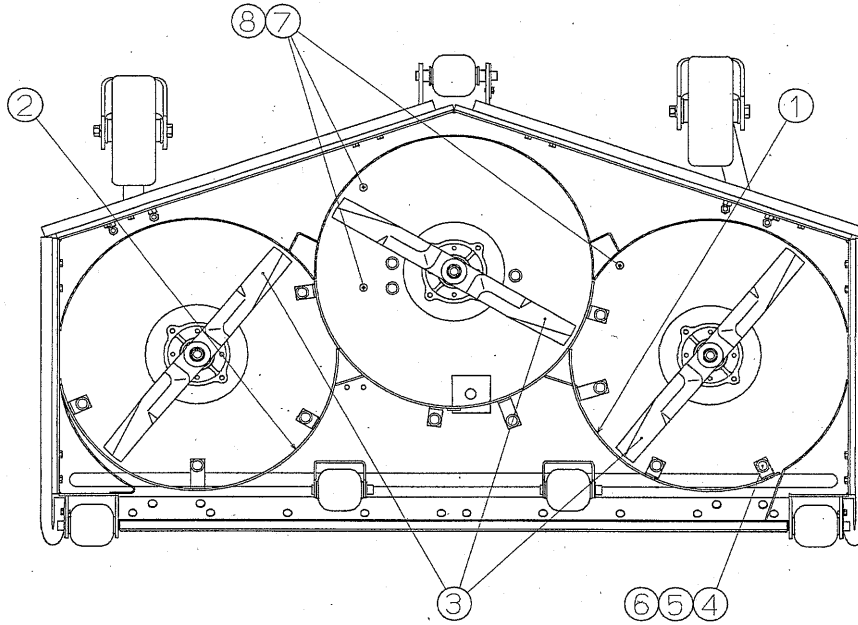
- 1) Keep the mower deck into flip-up.
- 2) Remove the blade, guide, screw and nut/M8 as the below figure.



3) Install GUIDE/LH COMP (1) and GUIDE/RH COMP (2) with BOLT (4), WASHER (5) and NUT/M10 (6).

4) Install SCREW (7) and NUT/M8 (8).

5) Install BLADE/60X630/M (3). (127.4 N·m)



Detail view

